



## Instructions for Leg Bracket Kit

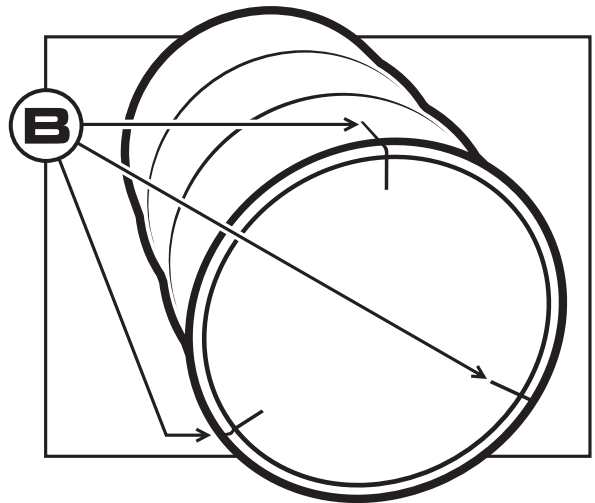
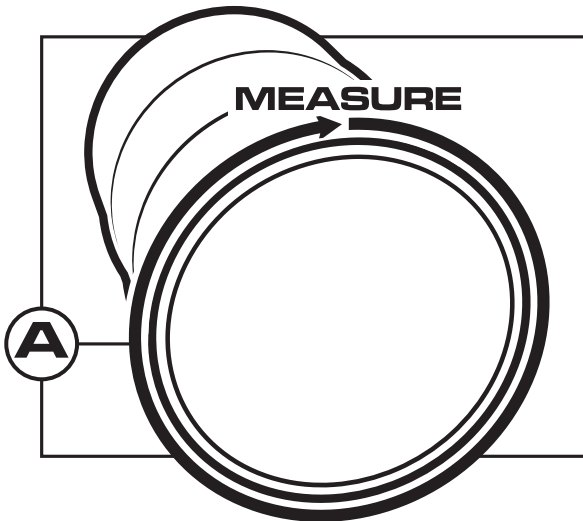
**THANK YOU** for your purchase of the **Leg Bracket Kit**, a top quality Moultrie product. Please read this sheet before assembling. If you should have any questions about this or any other Moultrie product, please contact us using the information at bottom of page. To help us to better serve you, please complete and mail the enclosed Warranty Card.

### I MEASURE, MARK, AND DRILL HOLES

**NOTE:** If you purchased a Moultrie Drum, go to II

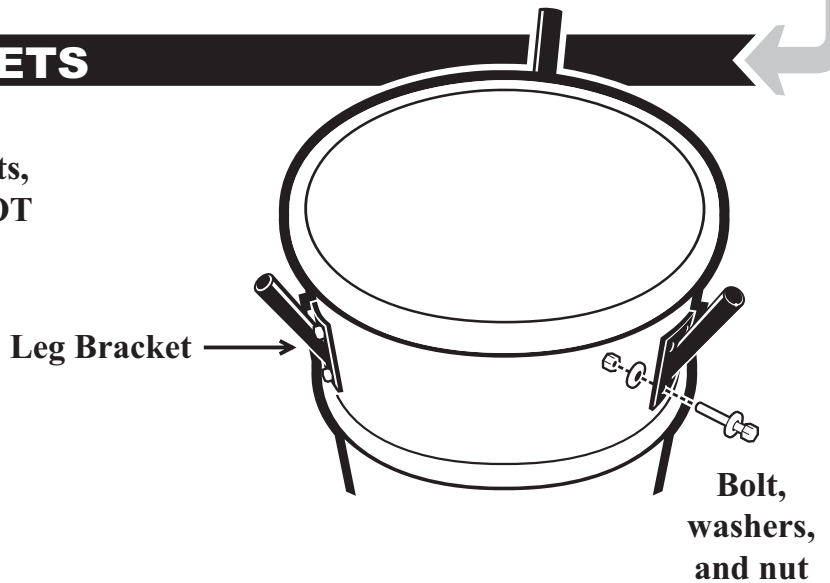
**NOTE:** A STEEL DRUM IS RECOMMENDED

- 1** Measure the distance **(A)** around the bottom of the **Drum**. Divide that distance by 3, marking the drum in those 3 locations **(B)**. Using a marker or pencil, mark the centerline locations for all three **Leg Brackets**.
- 2** Using your 3 marks as centerlines, position **Leg Brackets** on the side of the **Drum** (as shown below). Mark and drill 4 holes per bracket using a 3/8" drill bit.



### II INSTALL LEG BRACKETS

Bolt **Leg Brackets** to Drum using **nuts, bolts and washers** provided. **DO NOT LOAD FEEDER UNTIL UNIT IS STANDING UP AND IN PLACE**



### III ATTACH LEGS AND STAND FEEDER UP

Slide an 8'(max) x 1.375" 16 guage steel pipe inside each of the three leg brackets. With the Drum on the side and two poles on the ground, carefully stand-up unit. To prevent tipping, the Feeder must be placed on level ground.



**DO NOT EXCEED 400 POUNDS OF FEED**



Our Service Department will gladly answer any questions you have.  
 Call 205-664-6700 Monday – Friday, 8:00 AM to 5:00 PM CST.  
[www.moultriefeeders.com](http://www.moultriefeeders.com)