

Instructions for Pro-Line Feeder



THANK YOU for your purchase of the **Pro-Line Feeder Kit**, a top quality Moultrie product. Please read both sides of this sheet before operating this unit. If you should have any questions about this or any other Moultrie product, please contact us using the information on the reverse side.

To help us to better serve you, please complete and mail the enclosed Warranty Card.

I DRILLING YOUR DRUM/BARREL/BUCKET

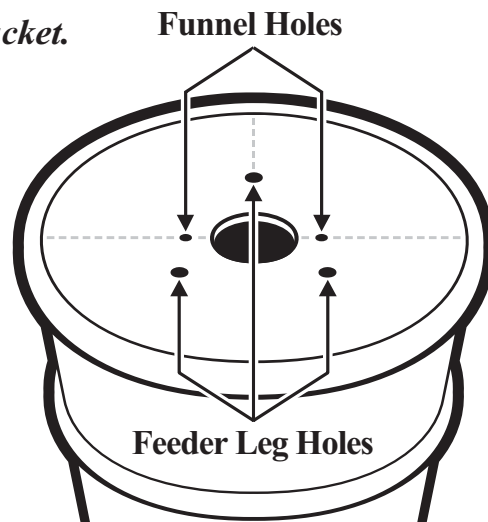
NOTE: If you purchased a Moultrie Drum, go to II

Pro-Line Feeder will mount to the bottom of any drum or bucket.



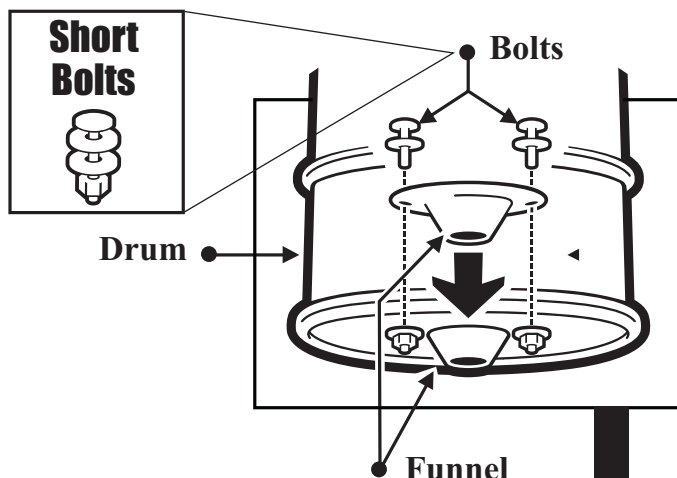
CAUTION: WEAR EYE PROTECTION

- 1 Turn drum over, measure and mark the center of the bottom.
- 2 Center the template on the bottom of the drum and secure with tape. Drill two 3/16" Funnel holes and three 5/16" Feeder Leg holes.
- 3 Using a Hole Saw, drill a 2-1/4" hole in the center of the bottom of your drum.

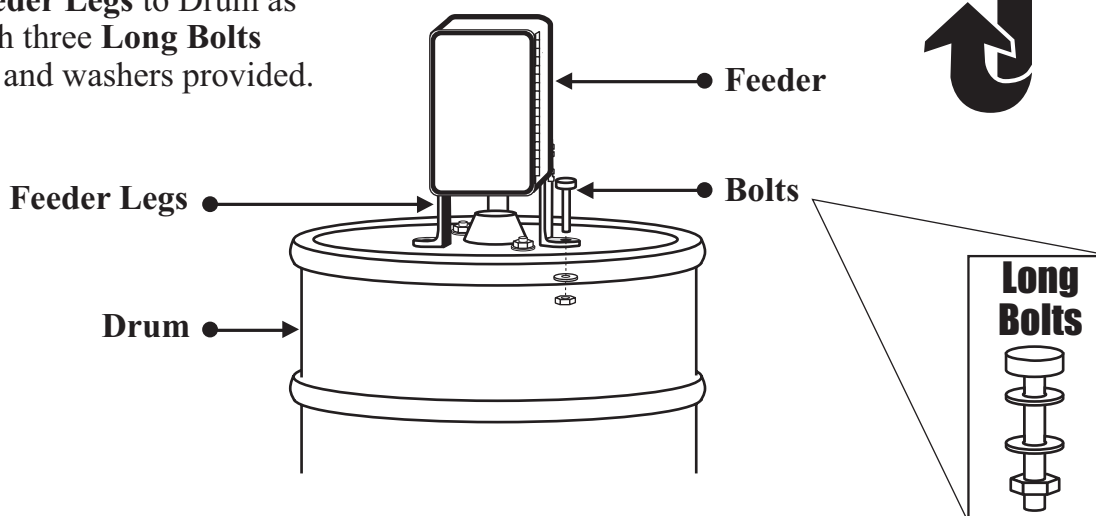


II MOUNTING THE FEEDER

- 1 Place **Funnel inside Drum** with small end of funnel facing down, and attach with two **Short Bolts** using nuts and washers provided.
- 2 Turn **Drum** upside down.
- 3 Place **Feeder on Drum**. Attach **Feeder Legs** to Drum as shown with three **Long Bolts** using nuts and washers provided.



Turn upside down

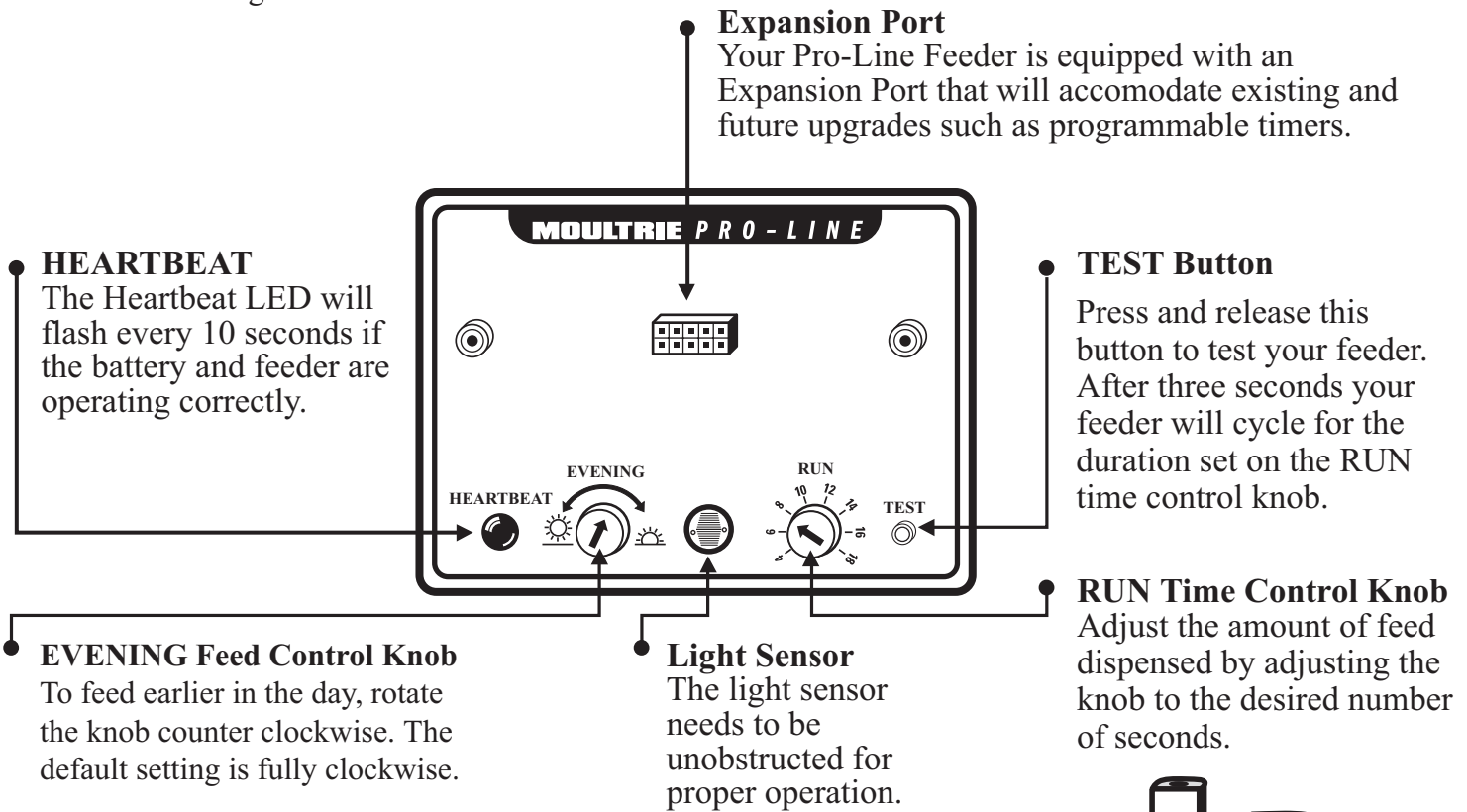


NOTE: This equipment has been tested and found to comply with the limits for a Class B digital device pursuant to Part 15 of the FCC rules. These limits are designed to provide reasonable protection against harmful interference in a residential installation. This equipment generates, uses and can radiate radio frequency energy and, if not installed and used in accordance with the instructions, may cause harmful interference to radio communications. However, there is no guarantee that interference will not occur in a particular installation. If this equipment does cause harmful interference to radio or television reception, which can be determined by turning the equipment off and on, the user is encouraged to correct the interference by one or more of the following measures:

- Reorient or relocate the receiving antenna
- Increase the separation between the equipment and the receiver

III CONFIGURING THE FEEDER

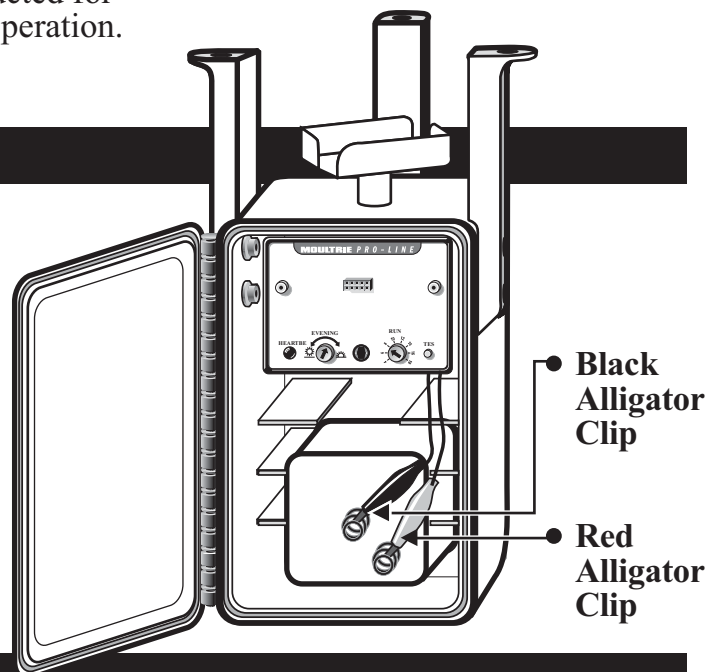
Your Moultrie Pro-Line Feeder Kit is Light Sensor Activated and will feed twice per day, at dawn and again at dusk.



IV INSTALLING THE BATTERY

CAUTION: WEAR EYE PROTECTION

Install a 6-Volt Alkaline (ex. Energizer™) or Moultrie rechargeable battery by attaching the Red Alligator Clip to the positive terminal (+) and the Black Alligator Clip to the negative (-) terminal.



TIPS AND POINTERS

1: (Q) When should I fill the drum on my feeder? (A) To prevent damage to the feeder kit, do not load drum until unit is off the ground.

2: (Q) I have a hanging feeder. What should I hang it with and how high should I hang it? (A) Some animals will chew through products like rope, so chain or steel cable is best. The bottom of the feeder should be about 7 feet from the ground.

3: (Q) What kind of feed should I use? (A) Whole kernel corn is recommended. Whole kernel corn mixed with soybeans or pellets is also effective for attracting deer. **NOTE: When not mixed with corn, some pellet type feeds can take on moisture and clog the feeder.**

4: (Q) How long should I set the feeder to run? (A) Many customers find that 4 or 5 seconds is long enough to establish a feeding pattern.

5: (Q) Some of the feed in the bottom of my drum never seems to move, and may be getting moldy. Any solution? (A) For 30 and 55 gallon barrels, Moultrie has developed internal funnels to solve this problem. The part numbers are **MFH-FUN30** for a 30-gallon drum and **MFH-FUN55** for a 55-gallon drum.

6: (Q) What should I do if my feeder isn't working? (A) Check the battery first by changing to a known good battery. If a problem still exists, call **Moultrie Customer Service** at the number below.

7: (Q) What type of battery should I use? (A) For best performance, use a rechargeable 6-Volt, 5 Amp Moultrie brand battery. If disposable batteries will be used in your unit, Energizer™ alkaline batteries are required for proper operation.

8: (Q) Can I get replacement parts for my feeder? (A) Yes, you may purchase the following **Moultrie** replacement parts.

- 6V Rechargeable BatteryMFH-RB6
- 6V Battery ChargerMFH-BC6

There are no other user-replaceable parts. If you have further questions, please call **Moultrie Customer Service** at the number below.

MOULTRIE Our Service Department will gladly answer any questions you have.
PRO-LINE Call 205-664-6700 Monday – Friday, 8:00 AM to 5:00 PM CST.
 www.moultriefeders.com



Instructions for 30 Gallon Leg Bracket and Pole Kit

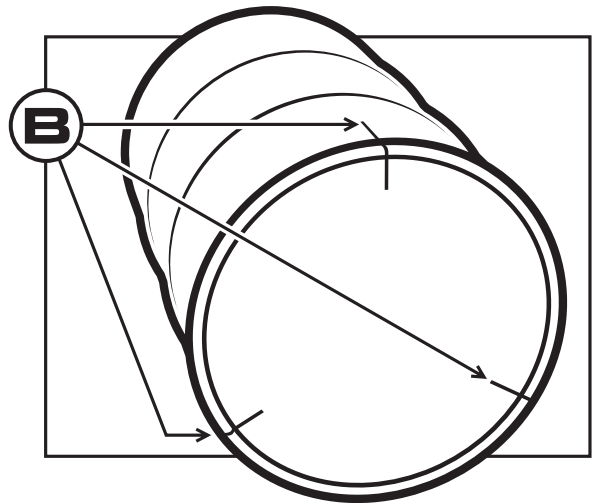
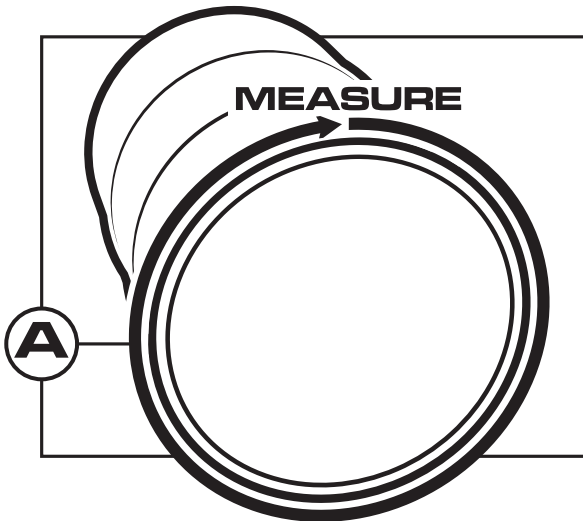
THANK YOU for your purchase of the **Leg Bracket and Pole Kit**, a top quality Moultrie product. Please read this sheet before assembling the unit. If you should have any questions about this or any other Moultrie product, please contact us using the information at the bottom of the page. To help us to better serve you, please complete and mail the enclosed Warranty Card.

I MEASURE, MARK AND DRILL HOLES

NOTE: If you purchased a Moultrie Drum, go to II

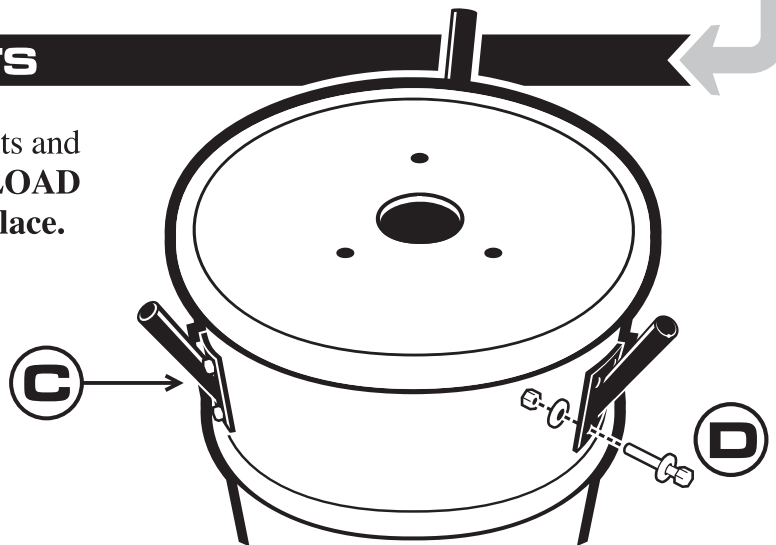
NOTE: A STEEL DRUM IS RECOMMENDED

- 1 Measure the distance **(A)** around the bottom of the **Drum**. Divide that distance by 3, marking the drum in those 3 locations **(B)**. Using a marker or pencil, mark the centerline locations for all three **Leg Brackets**.
- 2 Using your 3 marks as centerlines, position **Leg Brackets** on the side of the **Drum** (as shown in **(C)**, below). Mark and drill 4 holes per bracket using a 3/8" drill bit.



II INSTALL LEG BRACKETS

Bolt **Leg Brackets** to **Drum** using nuts, bolts and washers provided **(D)**. **NOTE: DO NOT LOAD FEEDER** until it is standing up and in place.



III ASSEMBLE POLES & STAND FEEDER UP

Using four **Poles** per leg, install the poles inside each of the **Leg Brackets**. With the **Drum** on the side and two **Poles** against the ground, carefully stand up Feeder assembly. To prevent tipping, the Feeder must be placed on a level location.



DO NOT EXCEED 250 POUNDS OF FEED



Our Service Department will gladly answer any questions you have.
Call 205-664-6700 Monday – Friday, 8:00 AM to 5:00 PM CST.
www.moultriefeeders.com