



Instructions for Pro Magnum Feeder Kit

THANK YOU for your purchase of the **Pro Magnum Feeder Kit**, a top quality Moultrie product. Please read both sides of this sheet before operating this unit. If you should have any questions about this or any other Moultrie product, please contact us using the information on the reverse side.

To help us to better serve you, please complete and mail the enclosed Warranty Card.

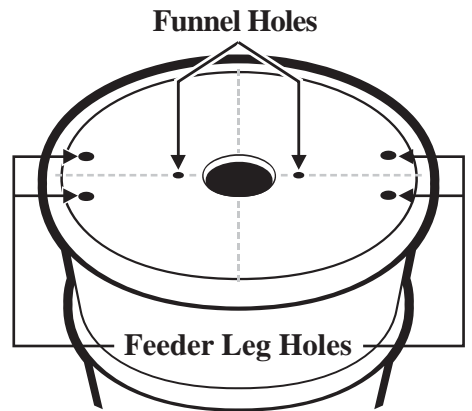
I DRILLING YOUR DRUM/BARREL/BUCKET

NOTE: If you purchased a Moultrie Drum, go to II

Pro Magnum Feeder Kit will mount to the bottom of any drum.

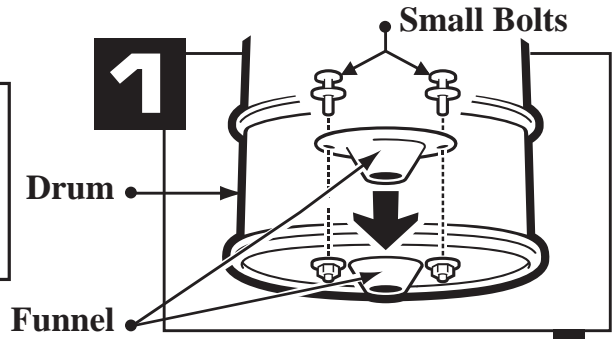
CAUTION: WEAR EYE PROTECTION

- 1** Turn drum over, measure and mark the center of the bottom.
- 2** Center the template on the bottom of the drum and secure with tape. Drill two 3/16" Funnel holes and four 3/8" Feeder Leg holes.
- 3** Using a Hole Saw, drill a 2-1/4" hole in the center of the bottom of your drum.



II MOUNTING THE FEEDER

- 1** After drilling holes (see above), place **Funnel inside Drum** with small end of funnel facing down and attach with (2) **Small Bolts** using nuts and washers provided.



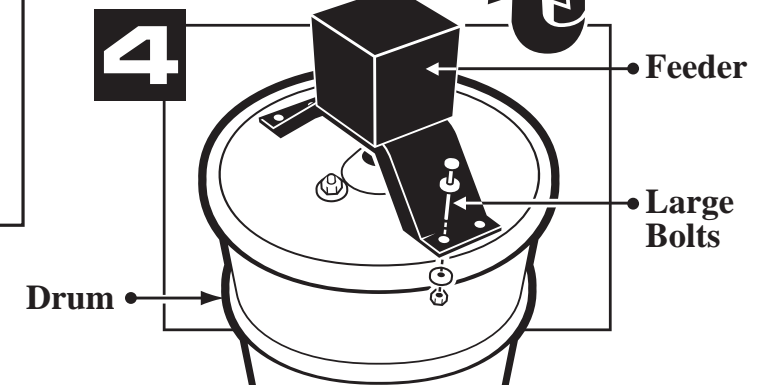
- 2** Securely attach the **Spin Plate** to the **Motor Shaft** using Allen Wrench provided. Make sure the Set Screw contacts on flat side of shaft.



- 3** Turn **Drum** upside down.



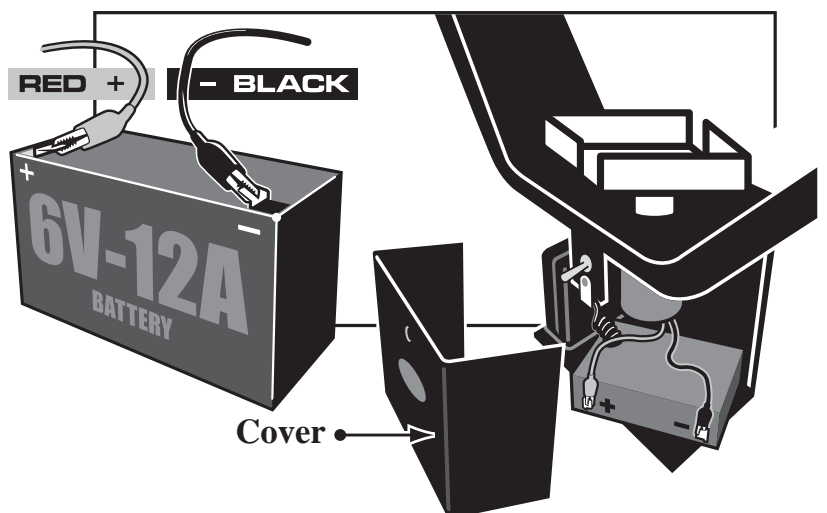
- 4** Place **Feeder** on **Drum** and attach to drum as shown with **Large Bolts** using nuts and washers provided.



III INSTALLING BATTERY & OPERATING FEEDER

CAUTION: WEAR EYE PROTECTION

- 1** Remove the wing nut from the front of the **Pro Magnum Feeder Kit Cover** and remove the cover.
- 2** Install a 6-Volt 12 AMP Rechargeable Battery (not included with kit) by attaching the **Red Alligator Clip** to the positive terminal (+) and the **Black Alligator Clip** to the negative (-) terminal. Place battery in unit and proceed to **Step IV** (on back): **Setting the Clock & Programming Feeder.**



IV SETTING THE CLOCK & PROGRAMMING FEEDER

Your **Pro Magnum Feeder Kit** is equipped with a power saving feature which turns off the Display after 3 minutes of inactivity. To turn on the Display, simply press any button. *Note: the Display does not need to be showing a time in order for the Feeder to operate normally.*

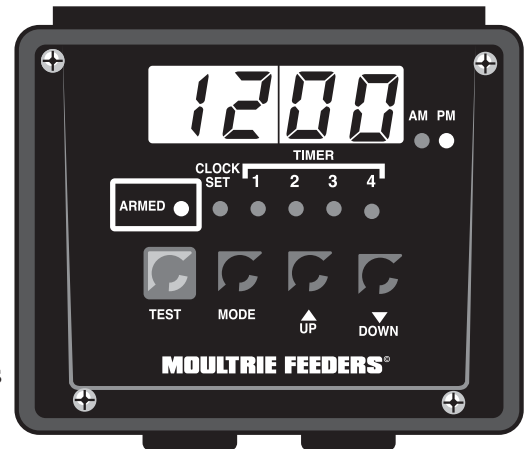
To set time of day:

- 1) Press **MODE** button until **CLOCK SET** light comes on.
- 2) Press **UP** or **DOWN** buttons until correct time of day appears.
To scroll faster, press and hold **UP** or **DOWN** button.
NOTE: Make sure AM or PM is correct.

To set TIMER 1:

- 1) Press **MODE** button until **TIMER 1** light comes on.
- 2) Set feeding time by using the **UP** or **DOWN** buttons.
- 3) Make sure **AM** or **PM** is correct.
- 4) Press **MODE** button again. The display shows :00. Use the **UP** or **DOWN** button to set the amount of time the feeder will run. The chart below shows the approximate amount of feed dispensed based on this time setting:

| Run Time (sec.) | 4 | 6 | 8 | 10 | 12 | 14 | 16 | 18 | 20 |
|-----------------------|-----|---|-----|----|-----|----|-----|----|-----|
| Feed dispensed (lbs.) | .75 | 1 | 1.5 | 2 | 2.5 | 3 | 3.5 | 4 | 4.5 |



To set TIMERS 2, 3 and 4 (used for feeding more than once per day):

- 1) If feeding only once per day, the run time for **TIMERS 2, 3 and 4** should be :00.
- 2) To add feed times, press **MODE** button until **TIMER 2** light comes on and follow same instructions as for setting **TIMER 1**. Repeat for **TIMERS 3 and 4** if desired.

TESTING YOUR FEEDER



To test your Feeder:

The **TEST** button is useful when setting your feeder to dispense the correct amount of feed.

- 1) Press **MODE** button until the run time appears.
- 2) Press the **TEST** button. After a 5-second delay, the Feeder will cycle for the duration shown on the screen. Adjust run time by using the **UP** or **DOWN** buttons.

ARMING YOUR FEEDER

Before your Feeder will execute your Timer selections, you must arm the Feeder by pressing the **MODE** button until the **ARMED** light comes on. Feeder is now armed.

DISARMING YOUR FEEDER

To deactivate any Timer setting, set Timer run time to :00.

TIPS & POINTERS

1: (Q) When should I fill the drum on my feeder? (A) To prevent damage to the feeder kit, do not load drum until unit is off the ground.

2: (Q) I have a hanging feeder. What should I hang it with and how high should I hang it? (A) Some animals will chew through products like rope, so chain or steel cable is best. The bottom of the feeder should be about 7 feet from the ground.

3: (Q) What kind of feed should I use? (A) Whole kernel corn is recommended. Whole kernel corn mixed with soybeans or pellets is also effective for attracting deer. **NOTE: When not mixed with corn, some pellet type feeds can take on moisture and clog the feeder.**

4: (Q) How long should I set the feeder to run? (A) Many customers find that 4 or 5 seconds is long enough to establish a feeding pattern.

5: (Q) Some of the feed in the bottom of my drum never seems to move, and may be getting moldy. Any solution? (A) For 30 and 55 gallon barrels, Moultrie has developed internal funnels to solve this problem. The part numbers are **MFH-FUN30** for a 30-gallon drum and **MFH-FUN55** for a 55-gallon drum.

6: (Q) What should I do if my feeder isn't working? (A) Check the battery first by changing to a known good battery. If a problem still exists, call **Moultrie Customer Service** at the number below.

7: (Q) What type of battery should I use? (A) For best performance, use a rechargeable 6-Volt, 12 AH Moultrie brand battery.

8: (Q) Can I get replacement parts for my feeder? (A) Yes, you may purchase the following **Moultrie** replacement parts.

- **Metal Funnel**MFHP81356
- **Diamond Spinner Plate**MFHP82642
- **6 Volt Motor**MFHP81750
- **6V-12A Rechargeable Battery**MFH-RB6-12
- **6V Battery Charger**MFH-BC6
- **Universal Replacement Timer**MFH-URT

There are no other user-replaceable parts. If you have further questions, please call **Moultrie Customer Service** at the number below.

NOTE: This equipment has been tested and found to comply with the limits for a Class B digital device pursuant to Part 15 of the FCC rules. These limits are designed to provide reasonable protection against harmful interference in a residential installation. This equipment generates, uses and can radiate radio frequency energy and, if not installed and used in accordance with the instructions, may cause harmful interference to radio communications. However, there is no guarantee that interference will not occur in a particular installation. If this equipment does cause harmful interference to radio or television reception, which can be determined by turning the equipment off and on, the user is encouraged to correct the interference by one or more of the following measures:

- Reorient or relocate the receiving antenna
- Increase the separation between the equipment and the receiver
- Connect the equipment into an outlet on a circuit different from that to which the receiver is connected
- Consult the dealer or an experienced radio/TV technician for help



Our Service Department will gladly answer any questions you have.
Call 205-664-6700 Monday – Friday, 8:00 AM to 5:00 PM CST.
www.moultriefeders.com



Instructions for 30 Gallon Leg Bracket and Pole Kit

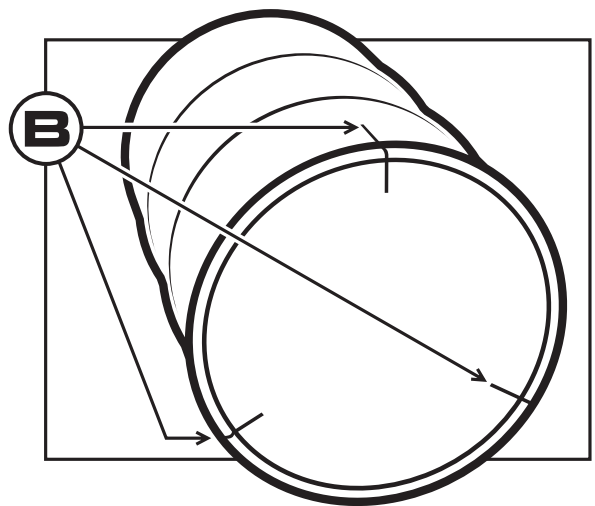
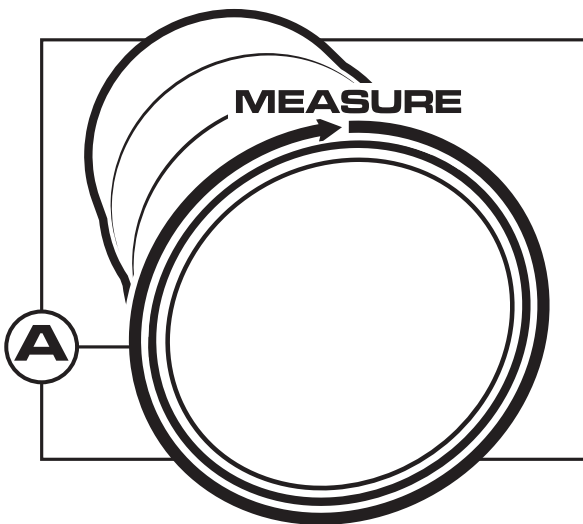
THANK YOU for your purchase of the **Leg Bracket and Pole Kit**, a top quality Moultrie product. Please read this sheet before assembling the unit. If you should have any questions about this or any other Moultrie product, please contact us using the information at the bottom of the page. To help us to better serve you, please complete and mail the enclosed Warranty Card.

I MEASURE, MARK AND DRILL HOLES

NOTE: If you purchased a Moultrie Drum, go to II

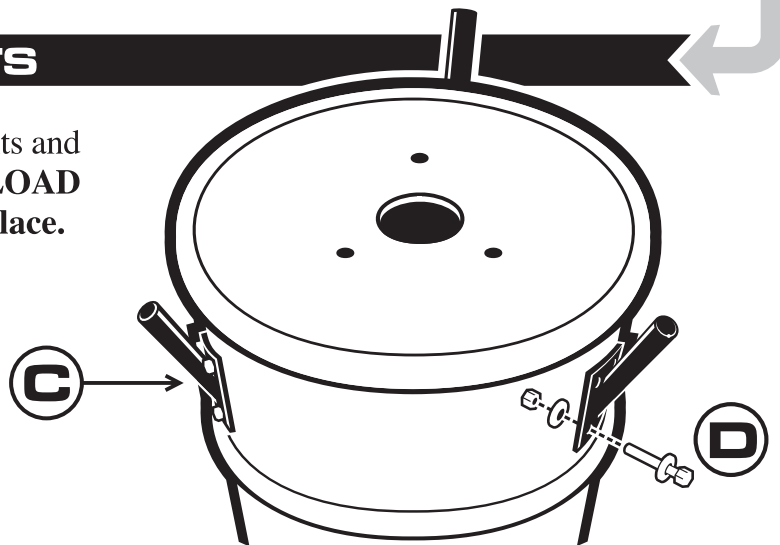
NOTE: A STEEL DRUM IS RECOMMENDED

- 1 Measure the distance **(A)** around the bottom of the **Drum**. Divide that distance by 3, marking the drum in those 3 locations **(B)**. Using a marker or pencil, mark the centerline locations for all three **Leg Brackets**.
- 2 Using your 3 marks as centerlines, position **Leg Brackets** on the side of the **Drum** (as shown in **(C)**, below). Mark and drill 4 holes per bracket using a 3/8" drill bit.



II INSTALL LEG BRACKETS

Bolt **Leg Brackets** to **Drum** using nuts, bolts and washers provided **(D)**. **NOTE: DO NOT LOAD FEEDER** until it is standing up and in place.



III ASSEMBLE POLES & STAND FEEDER UP

Using four **Poles** per leg, install the poles inside each of the **Leg Brackets**. With the **Drum** on the side and two **Poles** against the ground, carefully stand up Feeder assembly. To prevent tipping, the Feeder must be placed on a level location.



DO NOT EXCEED 250 POUNDS OF FEED



Our Service Department will gladly answer any questions you have.
Call 205-664-6700 Monday – Friday, 8:00 AM to 5:00 PM CST.
www.moultriefeeders.com