

Instructions for Tailgator

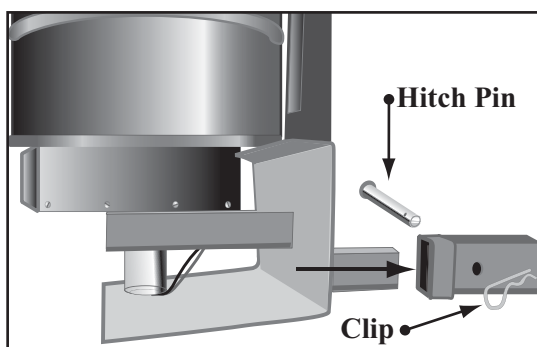
THANK YOU for your purchase of the **Tailgator**, a top quality Moultrie product. This multi-purpose spreader allows you to dispense game feeds, seed, or fertilizer from your Truck or Tractor. Please read this sheet before assembling this unit. If you should have any questions about this or any other Moultrie product, please contact us using the information at the bottom of the page.

To help us better serve you, please complete and mail the enclosed Warranty Card.



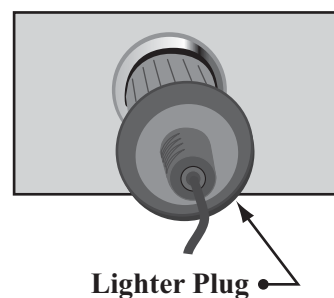
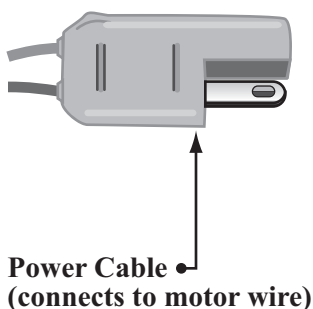
I SLIDE TAILGATOR INTO HITCH

Slide **Tailgator** into 2" trailer hitch and insert pin and clip as shown.



II CONNECT POWER CABLE

With power switch in the "OFF" position, connect one end of Power Cable to motor wire and route the other end to a 12V/DC lighter socket.



III ADD MATERIAL

Open the **Tailgator** by lifting the latch and pulling the release handle outward. Add desired material such as feed, fertilizer, seed, etc. to the hopper and reattach lid.

IV SPREAD MATERIAL



You are now ready to use **Tailgator**. While driving forward, turn the motor switch to the "ON" position. If the motor will not spin, check the **15A fuse** that is located inside the **Lighter Plug** as shown.



V CLEAN AND STORE

Completely wash and dry the **Tailgator**. A light coat of oil on metal parts and motor will help prevent rusting. Store **Tailgator** in a dry location.



Our Service Department will gladly answer any questions you have.
Call 205-664-6700 Monday – Friday, 8:00AM to 5:00 PM CST.
www.moultriefeeders.com