



# SwifTree Climbing Stick - Instruction Booklet

You **MUST** also view the enclosed DVD **BEFORE** using your new treestand!!  
Weight Limit 260 lbs. total. **DO NOT EXCEED THIS LIMIT!**  
Tree Size: 8" - 20" Diameter

---

## READ ME FIRST!!!

Please read carefully **BEFORE** using your new Summit SwifTree Climbing Sticks.

Congratulations! You have purchased the finest commercially available treestand on the market today. Summit SwifTree Climbing Sticks are designed and built to provide years of trouble-free, successful hunting with a minimum of maintenance and care. They are certified to meet the requirements of the Treestand Manufacturers Association (TMA) Standards. This booklet is provided to you to outline the recommended use, care and maintenance of your Summit SwifTree Climbing Sticks.

## Warnings and Precautions

- **IT IS IMPORTANT TO NOTE THAT A TREESTAND FALL CAN OCCUR AT ANY TIME AFTER LEAVING THE GROUND!**
- **YOU MUST FULLY READ, UNDERSTAND AND FOLLOW THESE INSTRUCTIONS! PLEASE CONTACT SUMMIT TREESTANDS IF YOU HAVE ANY QUESTIONS ON THE USE OF THIS PRODUCT! FAILURE TO FOLLOW THESE INSTRUCTIONS MAY CAUSE SERIOUS INJURY OR DEATH!!**
- **BEFORE USING ANY TREESTAND, BE SURE YOU MAINTAIN FULL BODY SAFETY HARNESS ATTACHMENT TO THE TREE AT ALL TIMES AFTER LEAVING THE GROUND!!! YOU MUST STAY CONNECTED TO YOUR FALL ARREST SYSTEM AT ALL TIMES AFTER LEAVING THE GROUND!**
- **A FULL BODY HARNESS WITH LINEMAN'S / CLIMBING BELT MUST BE WORN AT ALL TIMES WHILE INSTALLING OR REMOVING ANY HANG-ON CLIMBING AIDS.**
- **HANG-ON CLIMBING AIDS MUST BE PLACED ON THE TREE AT A HEIGHT ABOVE THE PLATFORM SO THE USER CAN MAINTAIN A HAND HOLD ON THE UNIT AND STEP DOWNWARDS ONTO THE TREESTAND! NEVER STEP UP OR CLIMB INTO A STAND FROM A CLIMBING AID!**
- **WHEN USING A CLIMBING / LINEMAN'S BELT TO ASCEND THE TREE, THE FULL BODY HARNESS SHOULD BE ATTACHED TO THE TREE BEFORE STEPPING DOWN ONTO THE TREESTAND!**
- **CHECK EVERY SWIFTREE LADDER SECTION CONNECTION BEFORE YOU USE IT! IF THE LADDER SECTIONS ARE SEPARATED - DO NOT USE THE SWIFREE!**
- **DO NOT USE THIS OR ANY OTHER TREESTAND IF YOU HAVE BEEN USING DRUGS (EVEN PRESCRIPTION) OR ALCOHOL OR ARE PHYSICALLY IMPAIRED IN ANY WAY! NEVER USE A TREESTAND WHEN FEELING ILL, NAUSEOUS OR DIZZY!**
- **FOR YOUR SAFETY, DO NOT USE ANY TREESTAND DURING RAIN, LIGHTNING, WINDSTORMS, WHEN TREES ARE WET OR ICY, OR ON TREES THAT ARE LEANING, TREES THAT APPEAR DEAD OR DISEASED OR ON UTILITY POLES!!! NEVER RELY ON A TREE BRANCH FOR SUPPORT!**
- **DO NOT USE ANY TREESTAND IF YOU HAVE NOT FOLLOWED THE MANUFACTURERS CARE AND MAINTENANCE GUIDELINES! NEVER MODIFY YOUR STAND BY MAKING REPAIRS, REPLACING PARTS, ALTERING PARTS OR ATTACHING ANYTHING TO IT UNLESS EXPLICITLY AUTHORIZED BY SUMMIT TREESTANDS!**
- **ALWAYS INSPECT THE STAND / CABLE SYSTEM OR HANGING STRAPS AND ANY SAFETY GEAR BEFORE EACH USE! IF ANY PROBLEMS ARE FOUND - DO NOT USE THE STAND! CONTACT CUSTOMER SERVICE FOR THE APPROPRIATE REPAIR / REPLACEMENT PROCEDURE!**
- **NEVER ALLOW THE SAFETY HARNESS TETHER TO GET UNDER OR AROUND YOUR NECK!**
- **IT IS IMPORTANT THAT YOU REMEMBER TO BE PREPARED IF YOU HAPPEN TO FALL AND EMPLOY YOUR SAFETY HARNESS WHILE IN A TREESTAND. STAY CALM AND DO NOT PANIC. YOU MUST BE PREPARED TO RECOVER FROM YOUR FALL BY EITHER CLIMBING BACK ONTO YOUR TREESTAND OR USING A DEVICE SUCH AS THE "TREE DESCENDER" (AVAILABLE FROM SUMMIT, WWW.SUMMITSTANDS.COM, 256-353-0634). PRIOR TO HUNTING: YOU MUST NOTIFY SOMEONE OF YOUR HUNTING LOCATION AND WHEN YOU WILL RETURN!**
- **DO NOT USE ANY TREESTAND UNLESS YOU ARE IN GOOD PHYSICAL SHAPE. THE ABILITY TO DO SEVERAL PUSH-UPS, CHIN-UPS, SIT-UPS, ETC. IS REQUIRED FOR YOUR SAFETY!**
- **ALWAYS USE A HAUL LINE TO RAISE AND LOWER UNLOADED FIREARMS AND BOWS! FIREARMS MUST BE PULLED UP UNLOADED, CHAMBER OPEN AND MUZZLE DOWN!**
- **NEVER CLIMB WITH ANYTHING IN YOUR HANDS OR ON YOUR BACK - USE A HAUL LINE!**
- **PRACTICE USING YOUR TREESTAND AND SAFETY HARNESS AT A LOW LEVEL (5 FEET) UNTIL YOU MASTER ITS USE!**
- **BE WELL RESTED AND NEVER GET IN A HURRY. HURRYING CAUSES ACCIDENTS!!**
- **INSTRUCTIONS (WRITTEN AND VIDEO) SHOULD BE REVIEWED AT LEAST ANNUALLY. IF YOU LOAN OR SELL THIS TREESTAND, IT IS YOUR RESPONSIBILITY TO FURNISH THE BUYER A COPY OF THESE INSTRUCTIONS AND THE VIDEO THAT CAME WITH THE TREESTAND. MAKE SURE THEY WATCH THE VIDEO AND READ / UNDERSTAND THE INSTRUCTIONS!**

## **Warning**

**Before each use of your Summit Treestand, ALWAYS inspect the treestand for any structural damage, cracks, cable wear or abrasion that may have occurred in transporting your treestand.**

**DO NOT USE IF ANY DAMAGE IS FOUND!**

### **Section 1. Assembling your new Treestand**

Please contact us at [www.summitstands.com](http://www.summitstands.com) or 256-353-0634 to obtain any missing parts or if your DVD does not work.

#### **Part 1. Stand-off Assembly.**

**Step 1.** Hold each column section facing away as shown in **Figure 1.**

**Step 2.** Insert the 1.5" bolt through the column section as shown in **Figure 2.**

**Step 3.** Place the stand-off bracket over the protruding bolt and securely tighten the lock nut as shown in **Figure 3.**

**Step 4.** Repeat for the other two ladder sections.

#### **Part 2. SwifTree Section Assembly.**

**NOTE:** The bottom section has an oval shaped wire ring welded to the base. It should be the only section with this ring.

**Step 1.** Insert the swaged end of the bottom section into the open end of one of the remaining sections as shown in **Figure 4.** **MAKE SURE** that the U Shaped stand-off brackets on each section are on the same side. **MAKE SURE** that the sections are fully slid together so it contacts the rivet stop point.

**Step 2.** Repeat **Step 1** for the other ladder section. Double check to insure that all three stand-off brackets are facing the same direction before use. See **Figure 5.**

### **Section 2. Use of the SwifTree Climbing Sticks**

**Step 1.** Be sure that all tire ropes are hanging free. Place the assembled pole next to the tree so that the bottom oval and all other sections are the same distance from the tree (See **Figure 6.**) **NOTE:** All three stand-offs should contact the tree freely. **DO NOT FORCE** a stand-off to make contact by bending the ladder sections. If this happens, reposition the SwifTree or locate another, more suitable tree.

**Step 2.** The SwifTree must be straight and vertical before it can be used. Press your weight on the first wire run of the bottom section until it settles firmly and completely into the ground.

**Step 3.** On the bottom ladder section - wrap the 1/4" tie rope tightly around the tree as shown in **Figure 7.** This rope will be attached to the wire loop about 4' up from the end of the ladder section. The rope **MUST** be wrapped around so that it makes a horizontal loop around the tree and so that it has no slack. This can easily be done by pushing the ladder section so that the stand-off bracket is firmly against the tree before bringing the rope around.

**Step 4.** Bring the rope through one side of the welded loop as shown in **Figure 8.**

**Step 5.** Bring the rope back around to the other side and loop it around the pre attached rope end (See **Figure 9.**) Wrap the rope around itself several times so that the two sections of rope are pulled together tightly.

**Step 6.** Tie the loose end of rope back to itself using half hitch knots - three is sufficient. Always test each knot assembly before using! (See **Figure 10**)

**Step 7.** At this point you **MUST** attach a lineman's style belt to the tree to support your weight!

**Step 8.** Climb the bottom section of the SwifTree until you reach the second tie off rope on the next section. **WARNING!! DO NOT STAND ON THE NEXT SECTION UNTIL IT HAS BEEN TIED OFF!!! Repeat Steps 3 - 6 to secure.**

**Step 9.** Repeat **Step 8** to secure the last section. **NEVER UNHOOK FROM YOUR LINEMAN'S BELT UNTIL YOU ARE CONNECTED TO A HARNESS SAFETY ROPE!**

**ALWAYS STEP DOWN FROM THE TOP OF THE SWIFTREE TO THE TREESTAND! NEVER ATTEMPT TO CLIMB INTO A STAND FROM THE SWIFTREE**

When descending to remove the SwifTree: **DO NOT UNTIE ANY ROPE UNTIL YOU ARE SECURELY STANDING ON THE SECTION BELOW IT. ALWAYS USE A LINEMAN'S STYLE BELT FOR SUPPORT!**

### **Section 3. Maintenance and Care of Your Treestand.**

Because of the quality construction techniques used in manufacturing, your Summit Treestand is very durable under normal hunting conditions. However, since all hunting equipment that is exposed to the elements requires some maintenance and care, the following guidelines for caring for your SwifTree should be used.

If you find the need to leave your SwifTree outdoors for a short time, perhaps overnight or during a lunch break, **DO NOT** assume that nothing has changed when you return. Always re-inspect its security before use. Make especially sure that the tie ropes on the SwifTree are tight and that nothing has been damaged or changed.

Since the SwifTree is constructed primarily out of steel, it is very important to assure that any areas where the powdercoat finish has been worn or chipped are properly cleaned and re-primed with a quality metal primer to prevent the formation of rust. The finish that is applied during manufacture is very durable and should only need touch-ups in areas of heavy wear or accidental impact.

Should you damage any part of your SwifTree, contact your nearest authorized Summit dealer or the factory to obtain the proper corrective action procedure and/or replacement parts for the treestand. Unauthorized repairs, modifications, or alterations will void the warranty and could degrade the integrity of the treestand. You must perform periodic inspections of the treestand for damage. **WARNING: DO NOT use the SwifTree if ANY obvious or suspected damage is observed.**

For your safety, we strongly recommend that you regularly inspect your SwifTree for damage. Look for nicks, gouges, cracks, bends, corrosion, or similar damage that could be the result of improper use or accidental damage. For instance, this could occur if someone else used the SwifTree without knowledge of proper use, or if the SwifTree were dropped or hit by a motor vehicle, or subjected to corrosive conditions. Always inspect all ropes for cuts, worn places, abrasion, fraying, and discoloration before use. When not in use, always store the SwifTree inside and away from exposure to the elements. The SwifTree has a high structural integrity by design, material selection and manufacturing techniques, but as its owner only your continued care will assure trouble-free performance.

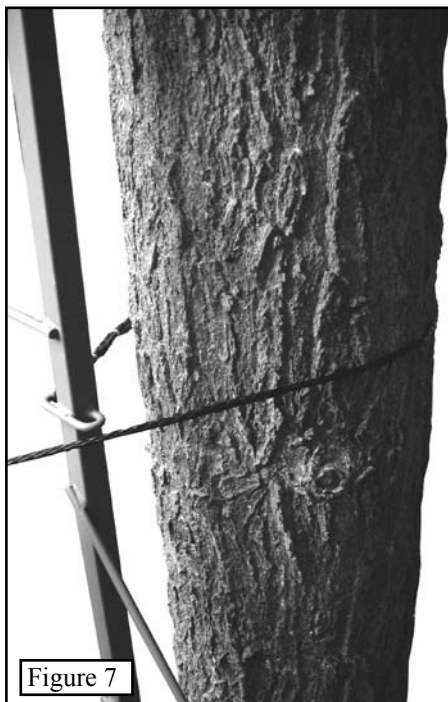
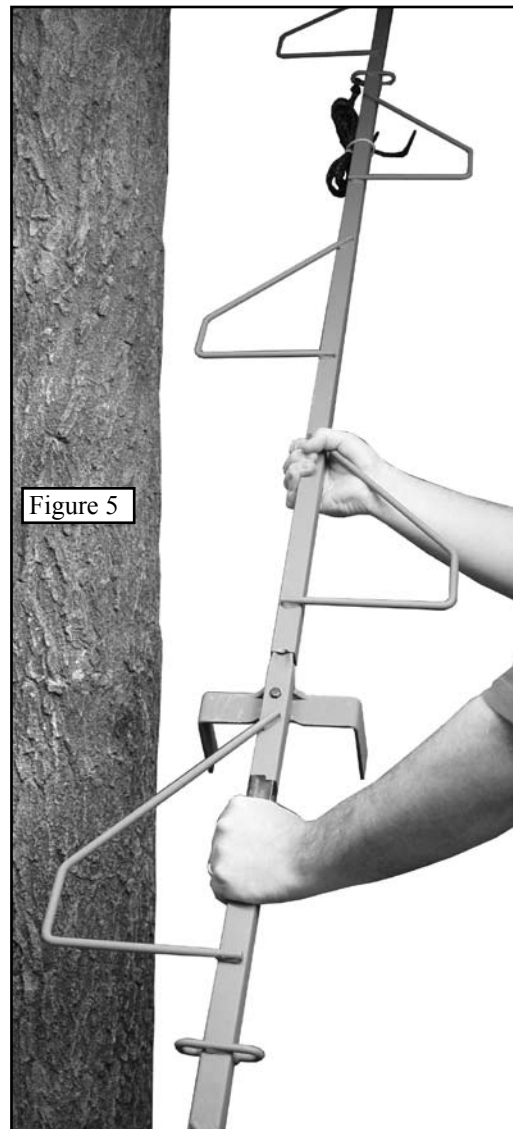
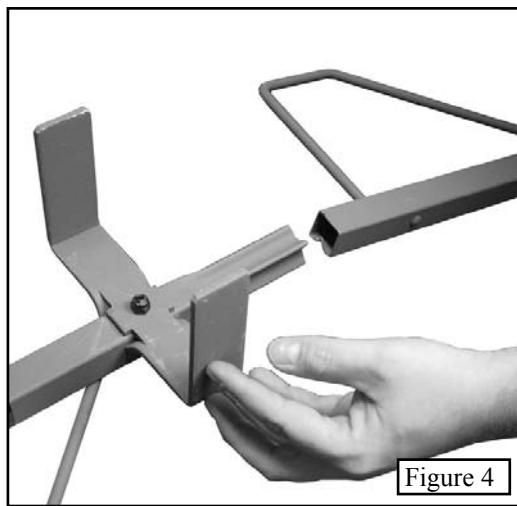
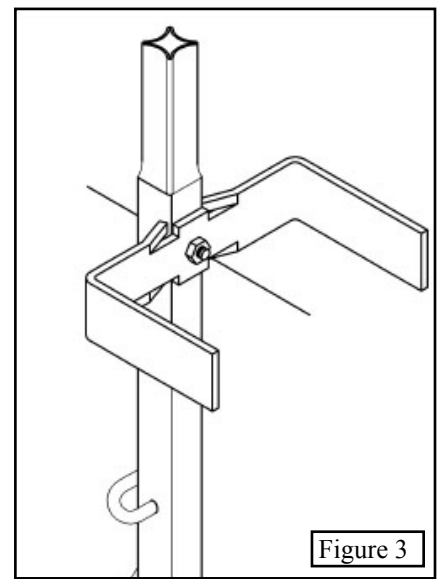
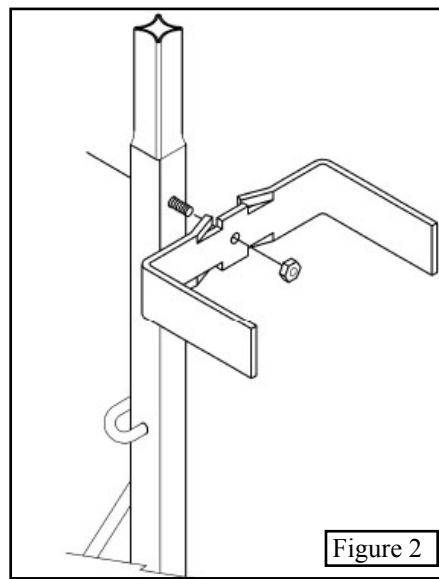
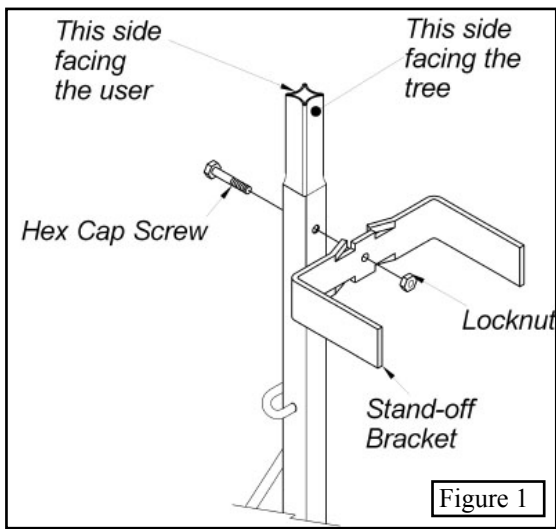
**WARNING!!** Summit requires that you replace the ropes at least annually, or perhaps sooner if excessive wear is noticed.

**Good Hunting and Hunt Safe!**

**HUNT TOMORROW...**

**...USE YOUR SAFETY HARNESS TODAY!**

©(STLLC 2006)



**Limited Warranty**

**(A) Warranty**

Summit Treestands, LLC (Summit) warrants to the original retail purchaser that all products manufactured by it are free from defects in material and manufacture at the time of shipment for sixty (60) months from the date of purchase. Summit will repair or replace any part found defective if the unit claimed to be defective shall be returned to Summit, postage prepaid, within the warranty period.

This warranty shall not apply to any product which has been subjected to misuse; misapplication; neglect (including but not limited to improper maintenance); accident; improper installation; modification (including but not limited to use of unauthorized parts or attachments); adjustment or repair. THE FOREGOING IS IN LIEU OF ALL OTHER WARRANTIES, WHETHER EXPRESS OR IMPLIED (INCLUDING THOSE OF MERCHANTABILITY AND FITNESS OF ANY PRODUCT FOR A PARTICULAR PURPOSE), AND OF ANY OTHER OBLIGATION OF LIABILITY ON THE PART OF THE COMPANY.

**(B) Limitation of Liability**

It is expressly understood that Summit's liability for its products, whether due to breach of warranty, negligence, strict liability, or otherwise, is limited to the repair of the product, as stated above, and Summit will not be liable for any other injury, loss, damage, or expense, whether direct or consequential, including but not limited to loss of use, income, profit, or damage to material, arising in connection with the sale, installation, use of, inability to use, or the repair or replacement of Summit's products.

Summit reserves the right to make alterations or modifications in its products at any time, which in its opinion, may improve the performance and efficiency of the product. It shall not be obligated to make such alterations or modifications to products already in service.

Please fill out the warranty card and return to:

**SUMMIT Treestands, LLC.  
715 Summit Dr.  
Decatur, AL 35601**

You can also register your warranty card on line at:  
[www.summitstands.com/warranty.aspx](http://www.summitstands.com/warranty.aspx)

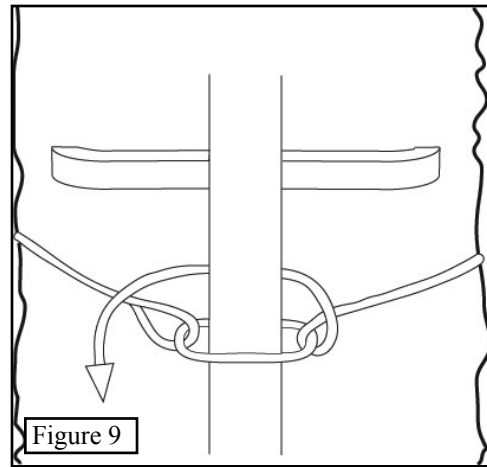


Figure 9

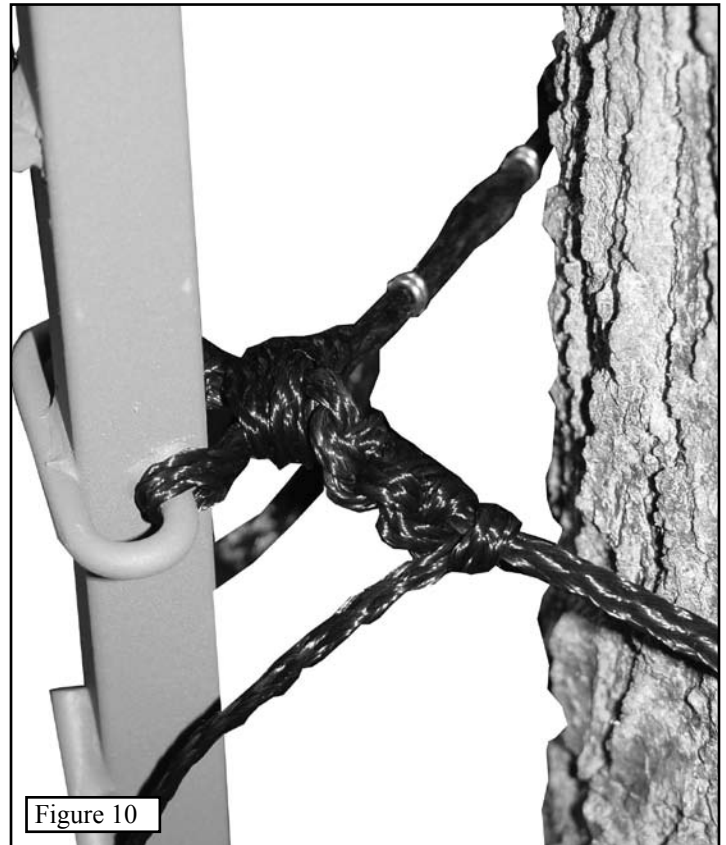


Figure 10

**VISIT US ONLINE AT  
WWW.SUMMITSTANDS.COM  
FOR ACCESSORIES OR  
REPLACEMENT PARTS!**

Summit products are manufactured under one or more of the following US Patents: 5,937,969; 5,971,104; 5,975,242; 5,979,603; 6,125,966; 6,182,792; 6,397,973; D,417,011; D,420,147  
Summit Bucksteps and RapidClimb Stirrups are Patent Pending

Cut Along Line

Cut Along Line

**Warranty Card for Summit Treestand**

Treestand Purchased: SwifTree (PN 82001)

Owners Name: \_\_\_\_\_ Street Address: \_\_\_\_\_

City: \_\_\_\_\_ State: \_\_\_\_\_ ZIP: \_\_\_\_\_ Phone: (\_\_\_\_) \_\_\_\_\_

Date Purchased: \_\_\_\_\_ Purchased From (Dealer Name): \_\_\_\_\_ Price \$: \_\_\_\_\_

Your heard about us through: Magazine  Advertisement  Video  Friend  Summit Catalog

Other  Please Explain: \_\_\_\_\_