



X-Pod - Instruction Booklet - 2007

You **MUST** also view the enclosed DVD **BEFORE** using your new stand!!

Weight Limit: 300 lbs. Total. **DO NOT EXCEED THIS LIMIT!**

READ ME FIRST!!!

Please read carefully **BEFORE** using your new X-Pod Stand.

Congratulations! You have purchased the finest commercially available pod stand on the market today. Summit Pod Stands are designed and built to provide years of trouble-free, successful hunting with a minimum of maintenance and care. It is certified to meet the requirements of the Treestand Manufacturers Association (TMA) Standards This booklet is provided to you to outline the recommended use, care and maintenance of your Summit Pod Stand.

Warnings and Precautions

- **IT IS IMPORTANT TO NOTE THAT A FALL CAN OCCUR AT ANY TIME AFTER LEAVING THE GROUND!**
- **YOU MUST FULLY READ, UNDERSTAND AND FOLLOW THESE INSTRUCTIONS! PLEASE CONTACT SUMMIT TREESTANDS IF YOU HAVE ANY QUESTIONS ON THE USE OF THIS PRODUCT! FAILURE TO FOLLOW THESE INSTRUCTIONS MAY CAUSE SERIOUS INJURY OR DEATH!!**
- **DO NOT USE THIS OR ANY OTHER STAND IF YOU HAVE BEEN USING DRUGS (EVEN PRESCRIPTION) OR ALCOHOL OR ARE PHYSICALLY IMPAIRED IN ANY WAY! NEVER USE A TREESTAND WHEN FEELING ILL, NAUSEOUS OR DIZZY!**
- **FOR YOUR SAFETY, DO NOT USE ANY STAND DURING RAIN, LIGHTNING, WINDSTORMS OR WHEN IT IS ICY OR WET.**
- **DO NOT USE ANY TREESTAND IF YOU HAVE NOT FOLLOWED THE MANUFACTURERS CARE AND MAINTENANCE GUIDELINES! NEVER MODIFY YOUR STAND BY MAKING REPAIRS, REPLACING PARTS, ALTERING PARTS OR ATTACHING ANYTHING TO IT UNLESS EXPLICITLY AUTHORIZED BY SUMMIT TREESTANDS!**
- **ALWAYS INSPECT THE STAND / CABLE SYSTEM OR HANGING STRAPS AND ANY SAFETY GEAR BEFORE EACH USE! IF ANY PROBLEMS ARE FOUND - DO NOT USE THE STAND! CONTACT CUSTOMER SERVICE FOR THE APPROPRIATE REPAIR / REPLACEMENT PROCEDURE!**
- **PRIOR TO HUNTING: YOU MUST NOTIFY SOMEONE OF YOUR HUNTING LOCATION AND WHEN YOU WILL RETURN! A SIGNAL DEVICE SUCH AS A MOBILE PHONE, RADIO, WHISTLE, SIGNAL FLARE OR PERSONAL LOCATOR DEVICE (PLD) MUST BE ON YOUR PERSON AT ALL TIMES!**
- **DO NOT USE ANY STAND UNLESS YOU ARE IN GOOD PHYSICAL SHAPE. THE ABILITY TO DO SEVERAL PUSH-UPS, CHIN-UPS, SIT-UPS, ETC. IS REQUIRED FOR YOUR SAFETY!**
- **ALWAYS USE A HAUL LINE TO RAISE AND LOWER UNLOADED FIREARMS AND BOWS! FIREARMS MUST BE PULLED UP UNLOADED, CHAMBER OPEN AND MUZZLE DOWN!**
- **NEVER CLIMB WITH ANYTHING IN YOUR HANDS OR ON YOUR BACK - USE A HAUL LINE!**
- **PRACTICE USING YOUR TREESTAND AND SAFETY HARNESS AT A LOW LEVEL (5 FEET) UNTIL YOU MASTER ITS USE!**
- **BE WELL RESTED AND NEVER GET IN A HURRY. HURRYING CAUSES ACCIDENTS!!**
- **INSTRUCTIONS (WRITTEN AND VIDEO) SHOULD BE REVIEWED AT LEAST ANNUALLY. IF YOU LOAN OR SELL THIS TREESTAND, IT IS YOUR RESPONSIBILITY TO FURNISH THE BUYER A COPY OF THESE INSTRUCTIONS AND THE VIDEO THAT CAME WITH THE TREESTAND. MAKE SURE THEY WATCH THE VIDEO AND READ / UNDERSTAND THE INSTRUCTIONS!**
- **CHECK EVERY LADDER SECTION CONNECTION EVERY TIME YOU USE THE STAND. IF ANY LADDER SECTIONS ARE SEPARATING - DO NOT USE THE STAND!**
- **CHECK THE GROUND UNDER THE STAND TO MAKE SURE IT IS FIRM AND LEVEL. SLOPING GROUND OR AN UNEVEN SURFACE (ONE LADDER SECTION ON A ROCK) CAN CAUSE YOUR STAND TO TILT OR SHIFT AS YOU CLIMB!**
- **MAINTAIN THREE POINTS OF CONTACT WHEN YOU CLIMB THE LADDER SECTION OF THIS STAND!**

Warning

Before each use of your Summit X-POD, ALWAYS inspect the stand for any structural damage, cracks, cable wear or abrasion that may have occurred in transporting your stand. DO NOT USE IF ANY DAMAGE IS FOUND! DO NOT leave your stand outdoors when it is not being used. Any tubing that is allowed to fill with rainwater and freeze WILL rupture or burst. DO NOT use your Stand if this happens.

Section 1. Assembling Your X-Pod Stand.

Please refer to page 4 in this instruction booklet for parts lists. Please contact us at www.summitstands.com or 256-353-0634 to obtain any missing parts or if your DVD does not work.

Part 1. Support Assembly.

Step 1. Position the two upper and the two lower support columns as shown in **Figure 1**. Please note the correct orientation of the welded brackets.

Step 2. Line up the holes and lay one coupler plate across the joint.

Bolt together using two 2 3/4" long bolts and lock nuts (See **Figure 2**).

Step 3. Repeat for other side.

Step 4. Lay one 58.75" support across the Support Assembly from **Bolt Hole A to D** (See **Figure 3**). Secure hand tight using two 2 3/4" bolts and lock nuts.

Step 5. Lay one 53.5" support across the Support Assembly from **Bolt Hole C to F** (See **Figure 3**). Secure hand tight using two 2 3/4" bolts and lock nuts.

Step 6. Carefully flip Support Assembly over.

Step 7. Lay the remaining 58.75" support across the Support Assembly from **Bolt Hole B to C** (See **Figure 4**). **NOTE:** Bolt C is shared between the support put on in previous **Step 5**. Remove Bolt C, attach the support and reinstall hand tight. Use one 2 3/4" bolt and lock nut to secure Bolt B.

Step 8. Lay the remaining 53.5" support across the Support Assembly from **Bolt Hole D to E** (See **Figure 4**). **NOTE:** Bolt D is shared between the support put on in previous **Step 4**. Remove Bolt D, attach the support and reinstall hand tight. Use one 2 3/4" bolt and lock nut to secure Bolt E.

Step 9. SECURELY TIGHTEN BOLTS A-F!!! Flip Support Assembly back over.

Your Finished Support Assembly should look like Figure 5.

Part 2. Arm Rest Assembly.

Step 1. Orient the Arm Rest and the Top Support Assembly as shown in **Figure 6**.

Step 2. Line up the holes and bolt together using two 1 1/2" bolts with lock nuts. Run the bolts from the outside in so that the head of the bolt is on the outside.

Step 3. Position two Arm Rest Support Tubes as shown in **Figure 7**.

Step 4. Attach the Support Tubes at the upper hole using one 1 1/2" bolt and lock nut each. Run the bolts from the inside out so that the head of the bolt is on the inside. Attach the Support Tubes at the lower hole using one 1 3/4" bolt and lock nut each (See **Figure 7**).

Part 3. Platform Assembly.

Step 1. Position the platform and the two flat metal Support Bars as shown in **Figure 8**.

Step 2. Secure the Support Bars to the platform using two 1 1/2" bolts and lock nuts.

Step 3. Orient the Platform Assembly and the Support / Arm Rest Assembly as shown in **Figure 9**.

Step 4. Attach the Platform Support bars to the pre-punched holes in the Support Tubes (**Figure 10**). Use two 1 1/2" bolts with lock nuts to secure. Run the bolts from the inside out to put the head of the bolt on the outside of the stand.

Step 5. Attach the Platform to the Arm Rest Support Tubes also shown in **Figure 10**. Secure with two 2 3/4" bolts and lock nuts.

Part 4. Ladder Assembly.

Step 1. Arrange one upper ladder support column and three ladder rungs as shown in **Figure 11**.

Step 2. Use three 1 3/4" bolts with lock nuts to secure the rungs to the support column. Hand Tighten these three bolts.

Step 3. Place the remaining upper ladder support column on the three rungs as shown in **Figure 12**. Use three 1 3/4" bolts with lock nuts to secure. Hang tighten these bolts.

Step 4. Arrange one lower ladder support column and five ladder rungs as shown in **Figure 13**. Use five 1 3/4" bolts with lock nuts to secure the rungs to the support column. Hand Tighten these five bolts.

Step 5. Place the remaining lower ladder support column on the five rungs as shown in **Figure 14**. Use five 1 3/4" bolts with lock nuts to secure the rungs to the support column. Hand tighten these bolts.

Step 6. Arrange the upper and lower ladder support columns as shown in **Figure 15**. Line up the holes and lay one coupler plate across the joint. Bolt together using two 2 3/4" long bolts and lock nuts.

Step 7. Once the coupler plates are secured - **SECURELY TIGHTEN BOLTS FROM STEP 2, 3, 4 and 5.**

Step 8. Repeat for other side.

Part 5. Ladder to Support Assembly.

Step 1. Position the Ladder Assembly and the Support Assembly as shown in **Figure 16**. Slide the Ladder between the two mounting tabs and secure with two 1 1/2" bolts with lock nuts.

Step 2. Position one cross brace between the Ladder Assembly and the Support Assembly as shown in **Figure 17**. Hand tighten Bolt B using one 1 3/4" bolt and lock nut.

Step 3. Position the cross brace so that it lines up with **Bolt Hole A**. This will require you to push in on the brace. Use one 1 3/4" bolt and lock nut to secure. **SECURELY TIGHTEN THE BOLTS FROM STEP 2 AND 3.**

Step 4. Repeat for other side.

Part 6. Gun Rest Assembly

Step 1. Position the Gun Rest bar and the Arm Rest as shown in **Figure 19**.

Step 2. Use **Figure 18** for exploded view. Run one 2 1/2" carriage bolt from the inside of the Arm Rest through the welded bracket on the Arm Rest.

Step 3. Align one Adjustment Bracket on the outside of the welded bracket. Slide the Adjustment Bracket over the Carriage bolt and seat it on the welded bracket.

Step 4. Slide one Neoprene washer over the Carriage bolt / bracket.

Step 5. Align the other Adjustment Bracket so that the teeth face inward. Slide this over the Carriage bolt.

Step 6. Align the Gun Rest tube with the slot in the Adjustment Bracket and slide it over the Carriage bolt and seat it into the Adjustment Bracket.

Step 7. Screw on the large knob to secure.

Step 8. Repeat for other side.

WARNING: THE GUN REST ASSEMBLY IS NOT TO BE USED AS A HAND HOLD WHILE CLIMBING INTO THE STAND!!!

Step 9. Position the Gun Rest bar pad as shown in **Figure A**. Use three cable ties to secure the pad. Note the Correct and Incorrect way of attaching. Pull the cable ties snug and trim off the excess. Rotate the clasp to the underside of the pad.

Part 7. Attaching the Seat.

Step 1. Pull the seat up using a pull up rope.

Step 2. Loop the webbing over the frame from the inside out. Secure the seat buckles as shown in **Figure B**.

Step 3. The seat back has a sewn in strap that attaches around the back of the arm rest bar. Snap the strap in place.

WARNING: THE GUN REST ASSEMBLY IS NOT TO BE USED AS A HAND HOLD WHILE CLIMBING INTO THE STAND!!! ALWAYS PIVOT THE GUN REST BEHIND YOU BEFORE YOU EXIT THE STAND!

Part 8. Attaching the Ladder Ratchet Straps.

WARNING: DO NOT WRAP THE STRAPS AROUND THE RUNGS! WRAP THEM ONLY AROUND THE LADDER COLUMNS!

Have two helpers aid you in setting the stand up and holding it when you first climb into the stand.

Step 1. Attach the two long cross-straps around the Support Assembly as shown in **Figure C**. This strap should attach **ABOVE** the U-Bracket where the arm rest support tube is bolted and **BELOW** the Platform. Wrap the looped end around the column and run the free end through to create a cinch knot (See **Figure D** and **Figure E**). Repeat for the other side. **WARNING: DO NOT WRAP THE STRAPS AROUND THE RUNGS!**

Section 2. Using Your X-Pod Stand.

Part 1. Using your X-Pod Stand.

WARNING! DO NOT USE YOUR X-POD IF THESE INSTRUCTIONS ARE NOT CLEAR!!

Step 1. Find a suitable location for the stand. The ground **MUST BE LEVEL** and free of rocks that would prevent the augers from digging deep.

Step 2. Drill the supplied augers into the soil. The augers should angle slightly away from the ladder. The distance from the augers to the stand will vary but it should be **AT LEAST 15 FEET** to the side - greater if possible.

WARNING: IT IS MANDATORY THAT BOTH AUGERS BE USED WITH THIS STAND! SEE FIGURE 20 FOR PROPER PLACEMENT OF THE AUGERS AND THE STAND! IT IS MANDATORY THAT THE AUGERS BE DRILLED DOWN COMPLETELY INTO THE SOIL AS SHOWN IN FIGURE F! The augers will be easier to screw into the ground if you have access to a screw driver, crowbar or other non-flexing "cheater bar". **MAKE SURE YOU CANNOT MOVE THE AUGER ONCE IT IS IN THE GROUND!**

Step 3. Thread the ratchet strap sewn loop through the eye of the auger as shown in **Figure G**. Thread the ratchet back through the sewn loop and pull tight as shown in **Figure H**. Repeat for other side.

Step 4. Thread the long strap through the ratchet as shown in **Figure I**. **DO NOT** ratchet completely tight.

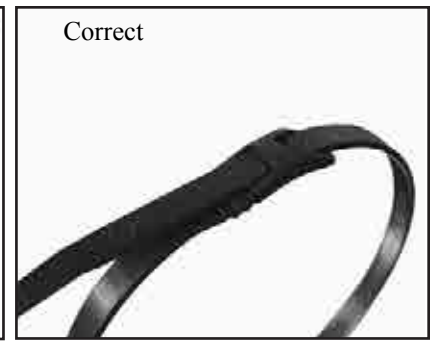
Step 5. Alternate ratcheting from one side to the other until the straps are tight and the X-Pod is secure.

Step 6. Climb slowly at first, checking the stability as you go. **MAKE SURE** the straps stay taught as you climb. If they loosen as you climb it might be a sign that the augers have shifted. **THE RATCHET STRAP MUST BE TAUGHT BEFORE YOU HUNT FROM THIS STAND.**

©(STLLC 2007)



Incorrect



Correct



Figure A

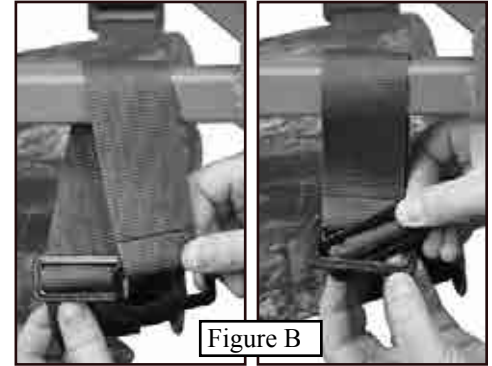


Figure B

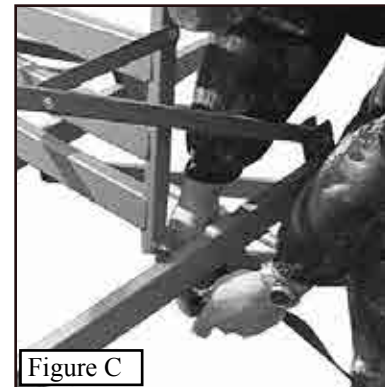


Figure C

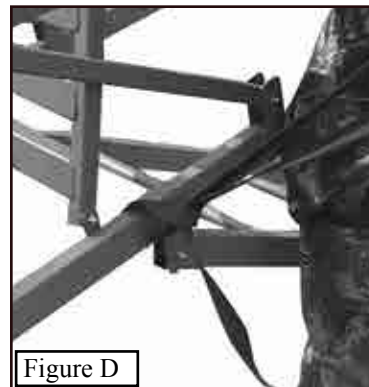


Figure D

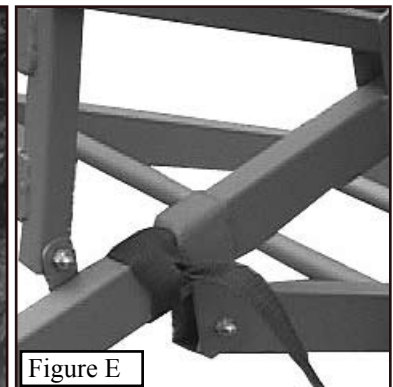


Figure E



Figure F



Figure G



Figure H

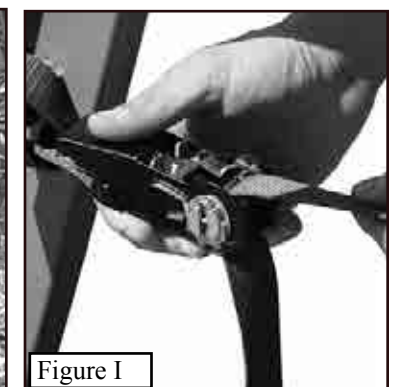


Figure I

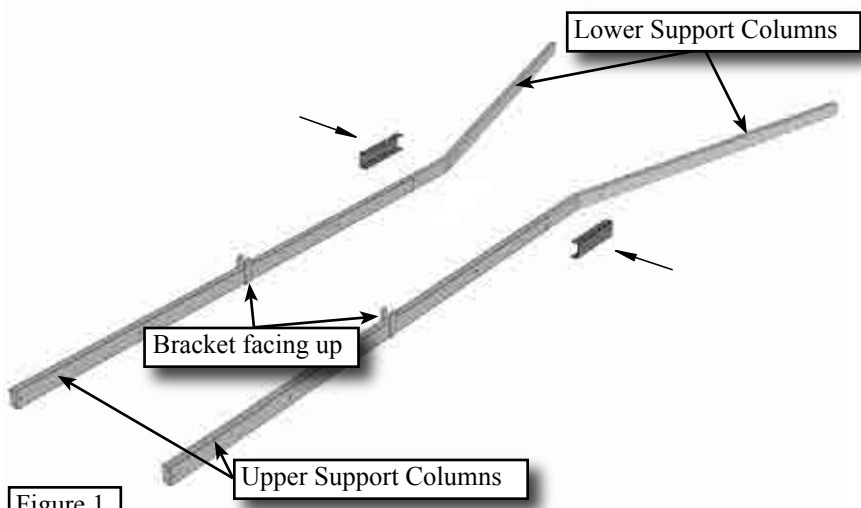


Figure 1

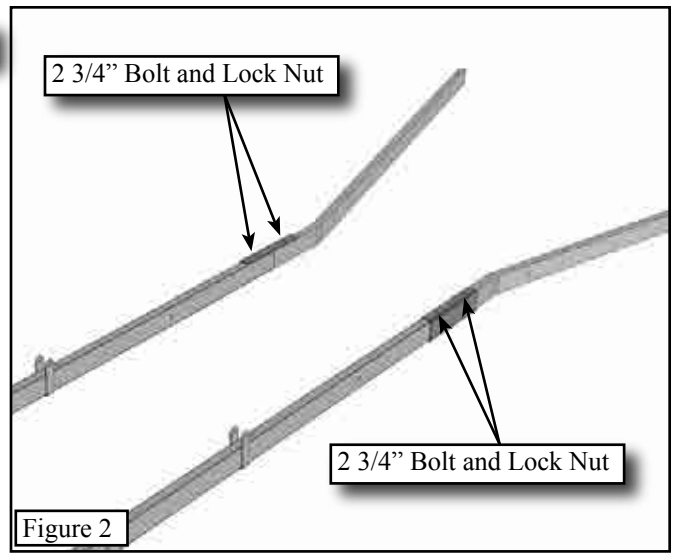


Figure 2

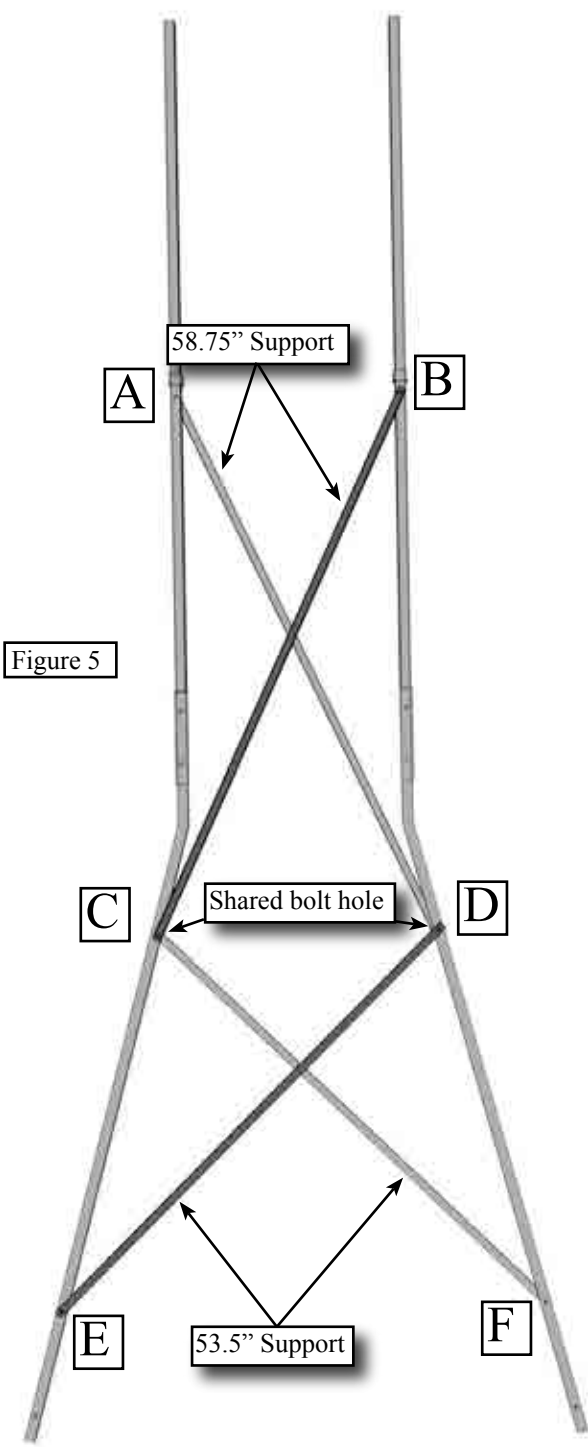


Figure 5

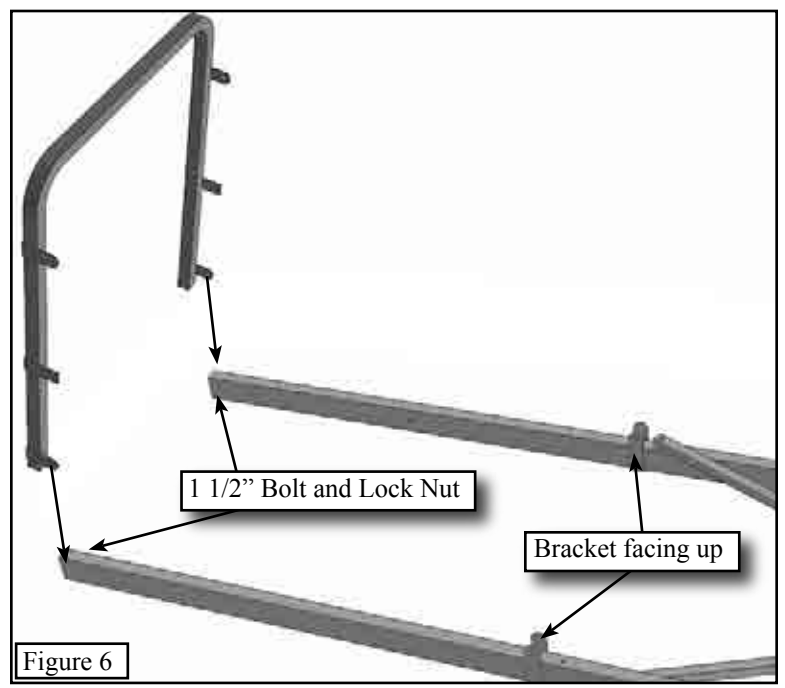


Figure 6

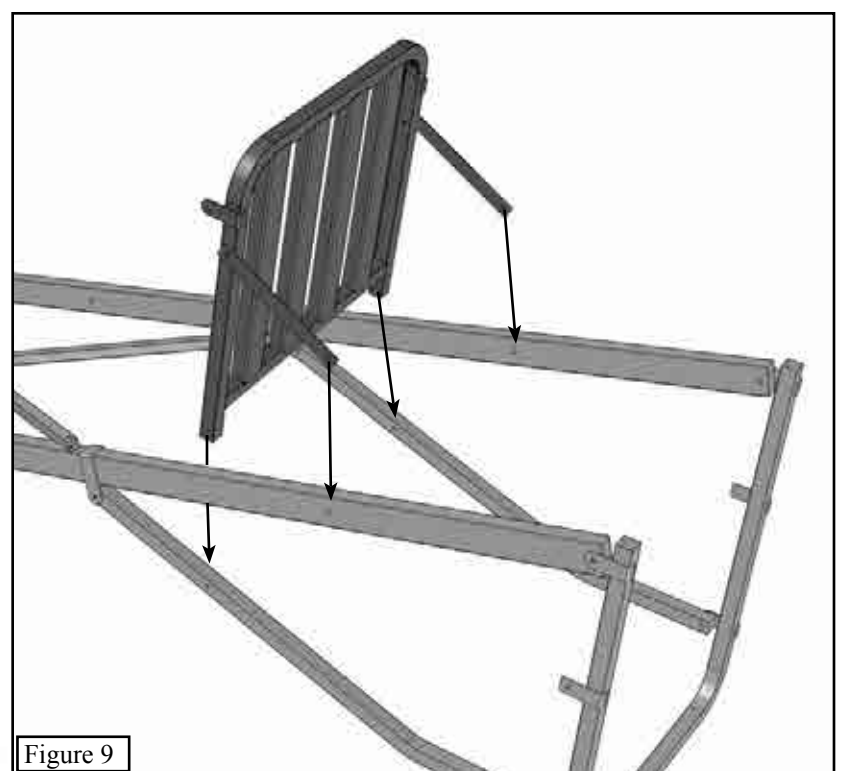
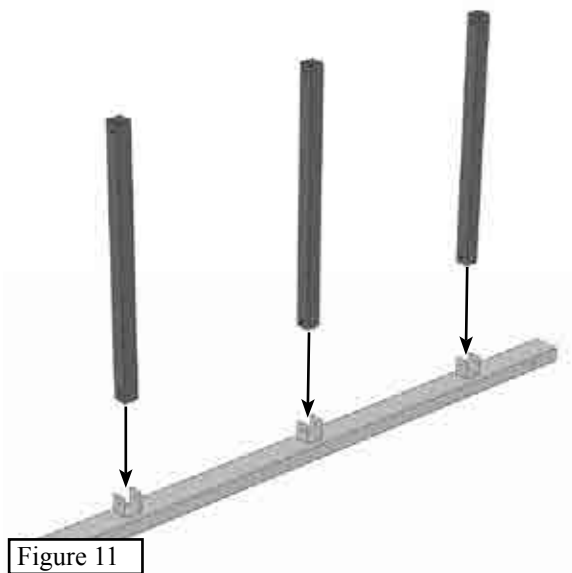
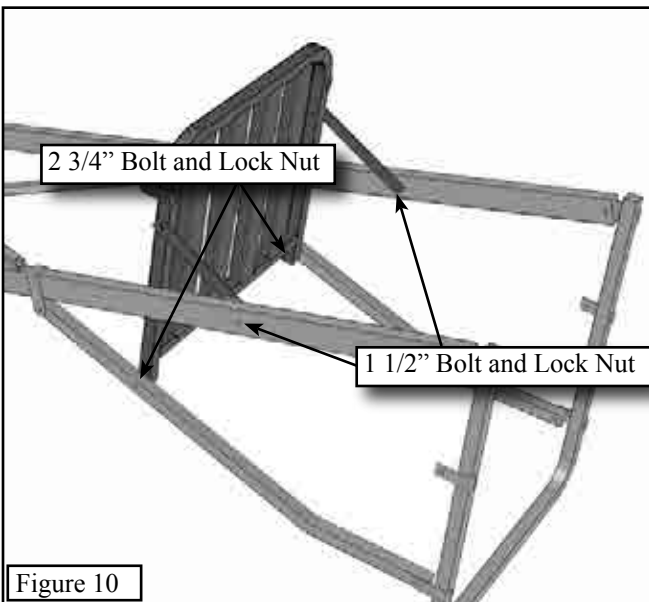
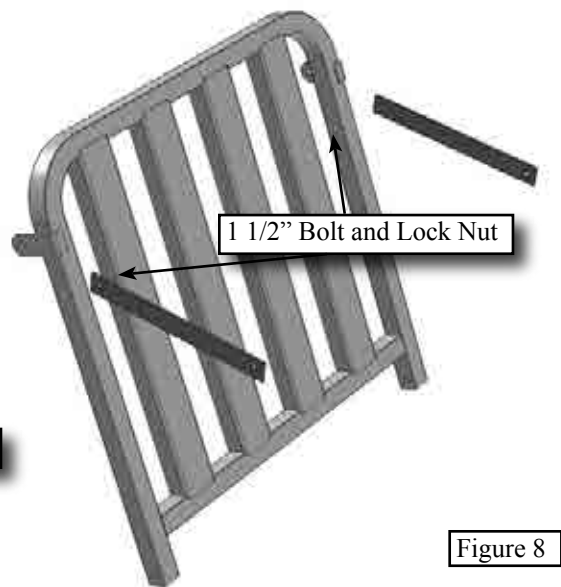
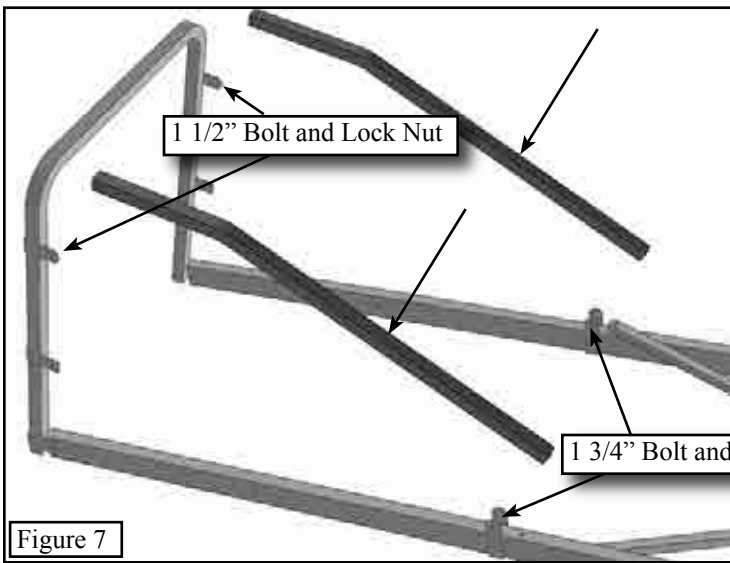
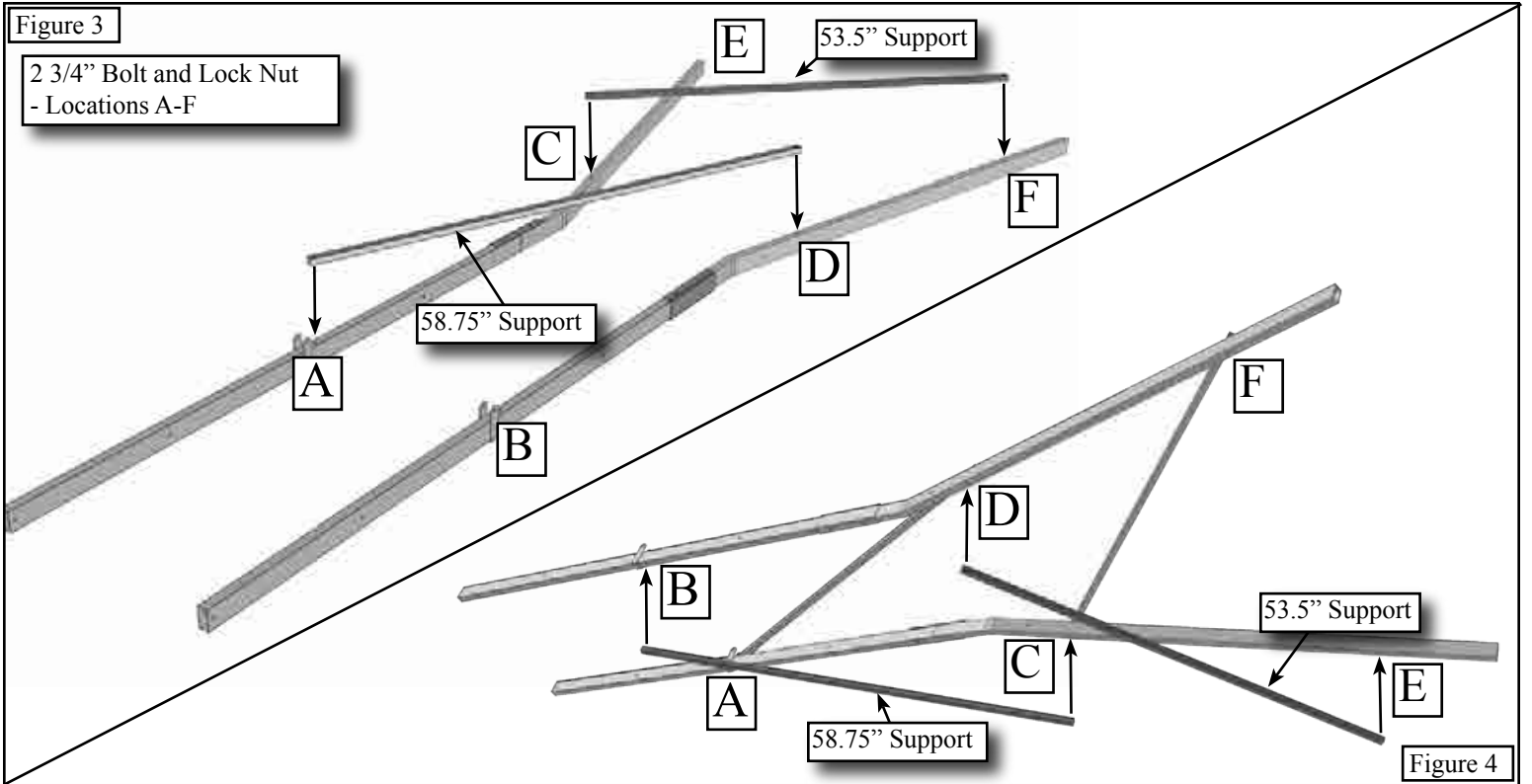


Figure 9



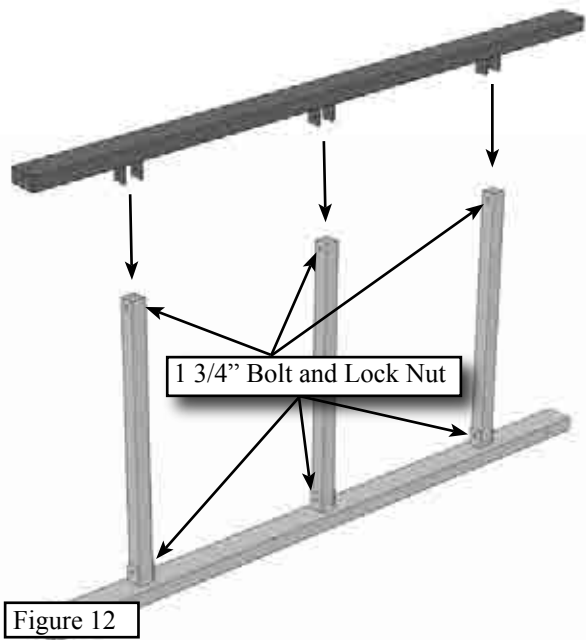


Figure 12

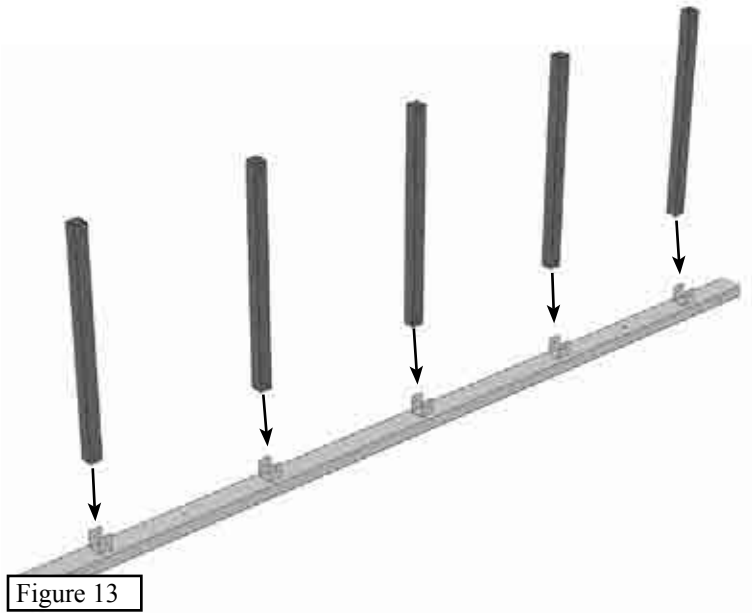


Figure 13

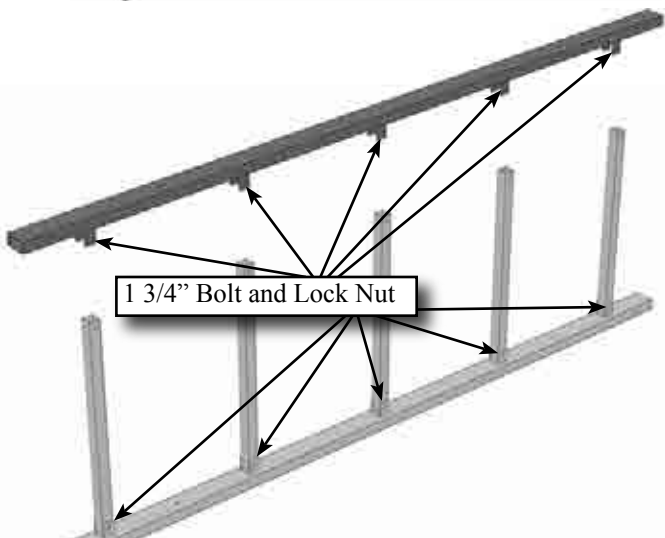


Figure 14

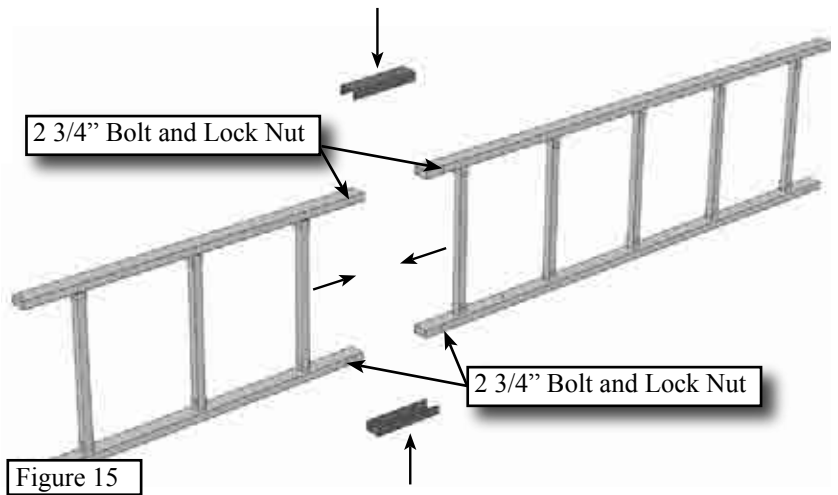


Figure 15

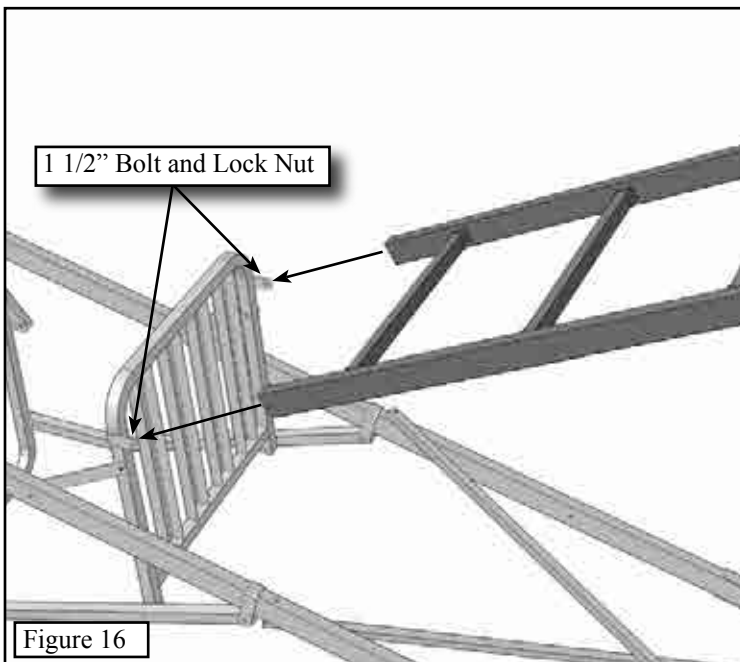


Figure 16

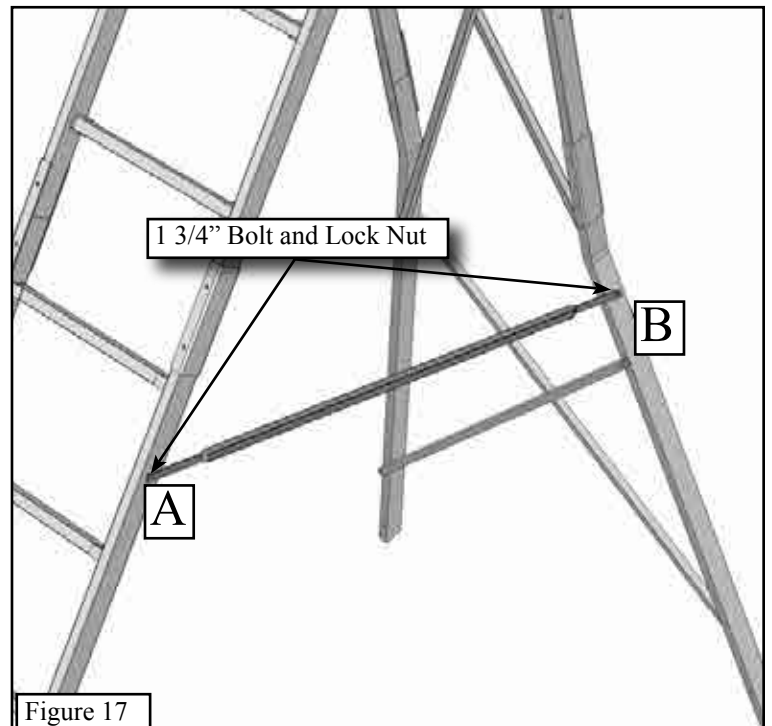


Figure 17

Summit products are manufactured under one or more of the following US Patents: 5,937,969; 5,971,104; 5,975,242; 5,979,603; 6,125,966; 6,182,792; 6,397,973; D,417,011; D,420,147

Summit Bucksteps and RapidClimb Stirrups are Patent Pending

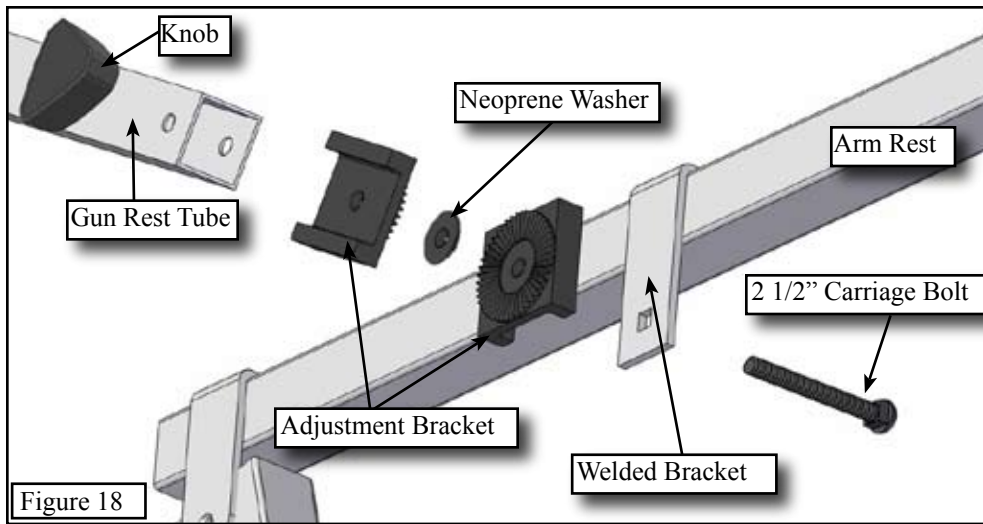


Figure 18

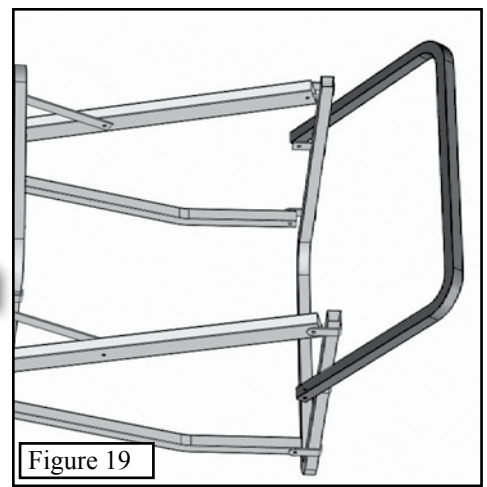


Figure 19

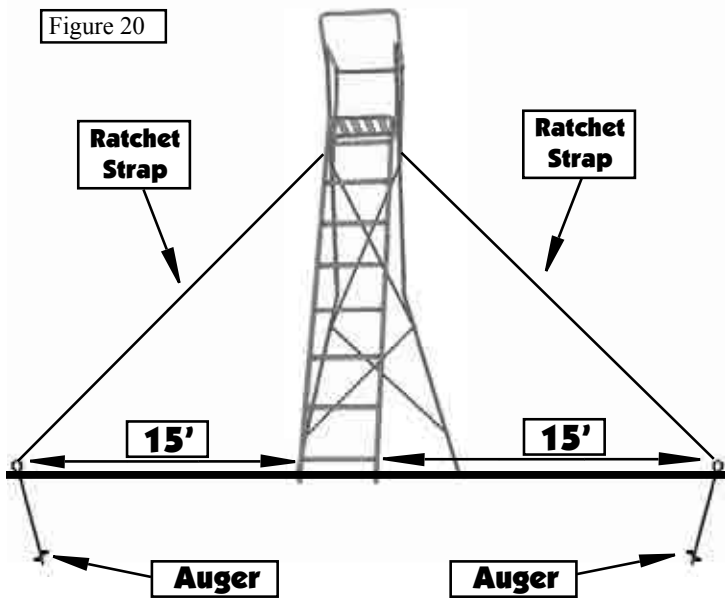


Figure 20

Section 3. Maintenance and Care of Your Treestand.

Because of the quality construction techniques used in manufacturing, your Summit X-Pod is very durable under normal hunting conditions. However, since all hunting equipment that is exposed to the elements requires some maintenance and care, the following guidelines for caring for your treestand should be used. **DO NOT** leave your treestand outdoors when it is not being used. **Any tubing that is allowed to fill with rainwater and freeze WILL rupture or burst. DO NOT use your treestand if this happens.** If your stand is exposed to the elements, it will be necessary to cover the seat or remove it to prevent rain and moisture from saturating the material. This will extend the life of the seat material as well as make it more comfortable the next time it is used.

The powder coat finish that is applied at the factory is very durable and should need touch ups only in areas of heavy wear or accidental impact.

Should you damage any part of your Summit X-Pod, contact your nearest authorized Summit dealer or the factory to obtain the proper corrective action procedure and/or replacement parts for the stand. Unauthorized repairs, modifications, or alterations will void the warranty and could degrade the integrity of the stand. You must perform periodic inspections of the treestand for damage. **WARNING: DO NOT** use the stand if **ANY** obvious or suspected damage is observed.

CAUTION: Look for nicks, gouges, cuts, cracks, bends, corrosion or similar damage that can be the result of improper use or accidental damage. For instance, this could occur if someone else used the treestand without knowledge of its proper use, or if the stand were dropped, hit by a motor vehicle or subject to corrosive conditions, etc. Summit Pod Stands have the highest structural integrity by design, material selection and manufacturing techniques, but as its owner, only your continued care will assure trouble free performance. When the above-mentioned guidelines are followed, your Summit X-Pod will provide years of successful hunting.

Limited Warranty

(A) Warranty

Summit Treestands, LLC (Summit) warrants to the original retail purchaser that all products manufactured by it are free from defects in material and manufacture at the time of shipment for sixty (60) months from the date of purchase. Summit will repair or replace any part found defective if the unit claimed to be defective shall be returned to Summit, postage prepaid, within the warranty period.

This warranty shall not apply to any product which has been subjected to misuse; misapplication; neglect (including but not limited to improper maintenance); accident; improper installation; modification (including but not limited to use of unauthorized parts or attachments); adjustment or repair. THE FOREGOING IS IN LIEU OF ALL OTHER WARRANTIES, WHETHER EXPRESS OR IMPLIED (INCLUDING THOSE OF MERCHANTABILITY AND FITNESS OF ANY PRODUCT FOR A PARTICULAR PURPOSE), AND OF ANY OTHER OBLIGATION OF LIABILITY ON THE PART OF THE COMPANY.

(B) Limitation of Liability

It is expressly understood that Summit's liability for its products, whether due to breach of warranty, negligence, strict liability, or otherwise, is limited to the repair of the product, as stated above, and Summit will not be liable for any other injury, loss, damage, or expense, whether direct or consequential, including but not limited to loss of use, income, profit, or damage to material, arising in connection with the sale, installation, use of, inability to use, or the repair or replacement of Summit's products.

Summit reserves the right to make alterations or modifications in its products at any time, which in its opinion, may improve the performance and efficiency of the product. It shall not be obligated to make such alterations or modifications to products already in service.

Please fill out the warranty card on the back of these instructions and return to:

SUMMIT Treestands, LLC.
715 Summit Dr.
Decatur, AL 35601

BOX CONTENTS

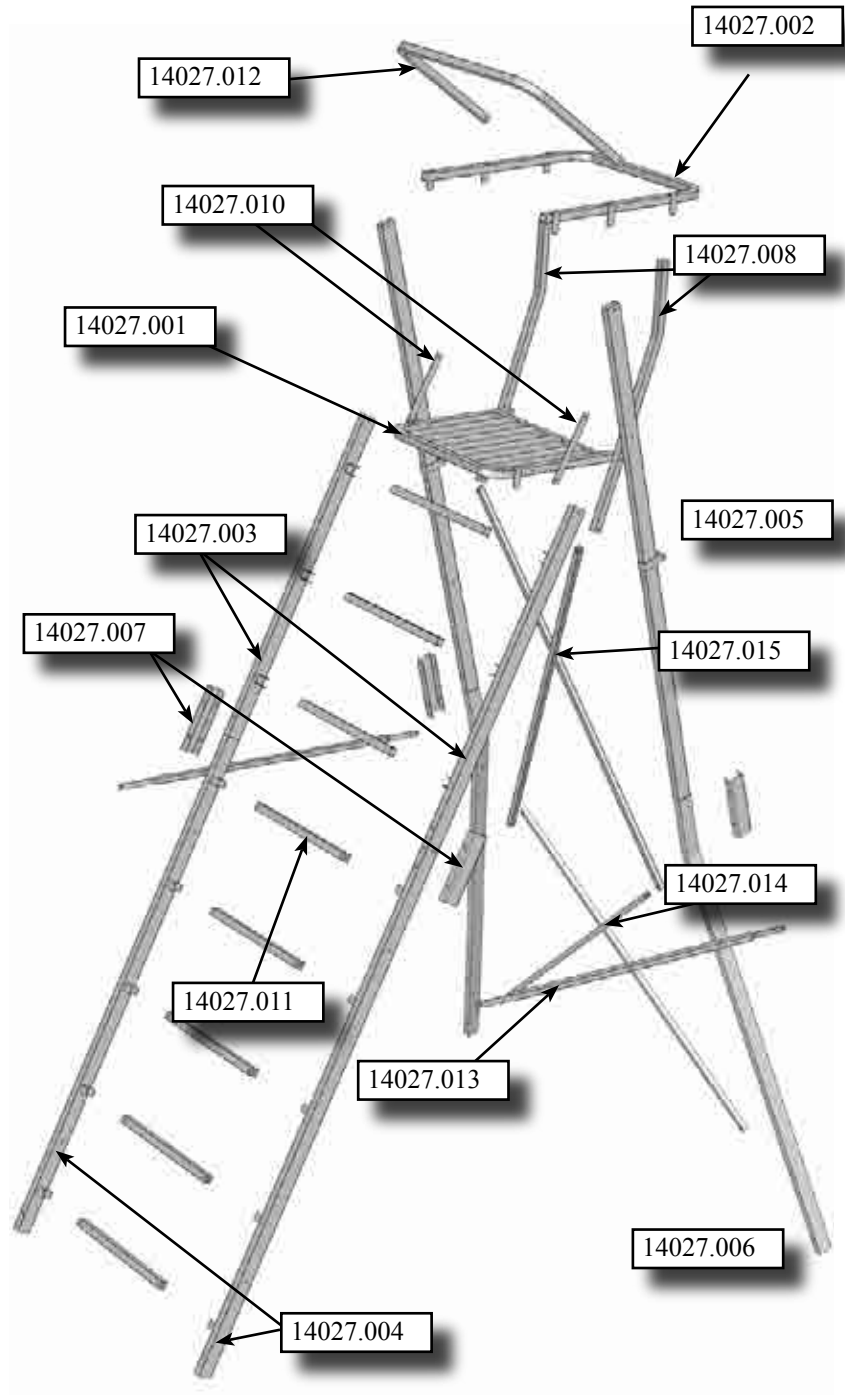
PN	Description	QTY
14027.001	Platform Assembly	1
14027.002	Arm Rest Assembly	1
14027.003	Upper Ladder Support Column	2
14027.004	Lower Ladder Support Column	2
14027.005	Upper Support Column	2
14027.006	Lower Support Column	2
14027.007	Ladder Coupler Plate	4
14027.008	Arm Rest Support Tube	2
14027.009	Auger	2
14027.010	Platform Support Bar	2
14027.011	Ladder Rungs	8
14027.012	Gun Rest Bar	1
14027.013	Ladder to Support Brace	2
14027.014	53.5" Support Bar	2
14027.015	58.75" Support Bar	2
85071	Foam Seat	1
70803	Accessory Packet	1

70803 ACCESSORY PACKET CONTENTS

PN	Description	QTY
50534	Long ladder strap w/sewn in loop	2
50535	Ladder strap ratchet	2
74224	18" Gun Rest Pad	1
85051	In-Line Cable Ties	3
22033	Hardware Kit	1
Written instructions for this Stand		
2007 DVD		

22033 HARDWARE KIT X-POD

PN	Description	QTY
10610	2 3/4" Bolt (5/16 -18)	16
10611	1 1/2" Bolt (5/16 -18)	10
10615	1 3/4" Bolt (5/16 -18)	22
10617	Centerlock Nuts (5/16 -18)	48
10632	2 1/2" Carriage Bolt (1/4 -20)	2
10544	Adjustment Bracket	QTY 4
10660	Knob	QTY 2
10633	Neoprene Washer	QTY 2



Cut Along Line

Warranty Card for Summit X-Pod (82027)

Owners Name: _____ Street Address: _____
 City: _____ State: _____ ZIP: _____ Phone: (____) _____
 Date Purchased: _____ Purchased From (Dealer Name): _____ Price \$: _____
 Your heard about us through: Magazine Advertisement Video Friend Summit Catalog
 Other Please Explain: _____
 You can also register your warranty card on line at: www.summitstands.com/warranty.aspx