



# SwifTree Climbing Stick

## Instruction Booklet

You **MUST** also view the enclosed DVD **BEFORE** using your new treestand!!  
Weight Limit 260 lbs. total. Tree Size: 8" - 20" - all models.

---

### READ ME FIRST!!!

Please read carefully **BEFORE** using your new Summit SwifTree Climbing Sticks.

Congratulations! You have purchased the finest commercially available treestand on the market today. Summit SwifTree Climbing Sticks are designed and built to provide years of trouble-free, successful hunting with a minimum of maintenance and care. They are certified to meet the requirements of the Treestand Manufacturers Association (TMA) Standards. This booklet is provided to you to outline the recommended use, care and maintenance of your Summit SwifTree Climbing Sticks.

## Warnings and Precautions

- **YOU MUST FULLY READ, UNDERSTAND AND FOLLOW THESE INSTRUCTIONS!**
- **THE TREESTAND ATTACHMENT STRAP MUST BE REPLACED EVERY TWO YEARS, OR IMMEDIATELY IF ANY DAMAGE IS FOUND.**
- **YOU MUST USE A LINEMAN'S STYLE CLIMBING BELT TO INSTALL THESE LADDER SECTIONS. NEVER DISCONNECT FROM YOUR LINEMAN'S BELT UNTIL YOU ARE HOOKED INTO YOUR SAFETY LINE!**
- **DO NOT USE THIS OR ANY OTHER TREESTAND IF YOU HAVE BEEN USING DRUGS OR ALCOHOL OR ARE PHYSICALLY IMPAIRED IN ANY WAY!**
- **FOR YOUR SAFETY, DO NOT USE THE SWIFTREE DURING STORMS, WHEN TREES ARE WET OR ICY, OR ON TREES THAT ARE LEANING OR THAT APPEAR DEAD OR DISEASED!**
- **DO NOT USE THE SWIFTREE IF YOU HAVE NOT FOLLOWED THE MANUFACTURERS CARE AND MAINTENANCE GUIDELINES!**
- **DUE TO THE UNIQUE DESIGN OF THE SWIFTREE AND ITS DEPENDENCY ON THE TREE FOR SUPPORT, ATTACH ONLY TO HEALTHY, ACTIVELY GROWING TREES. DO NOT USE THE SWIFTREE ON CROOKED, DEAD, DAMAGED OR LEANING TREE.**
- **DO NOT COMPLETELY REMOVE YOUR WEIGHT FROM THE SWIFTREE UNTIL YOU HAVE CHECKED THE STABILITY AND SECURITY OF THE TREE-STAND IN USE. NEVER MAKE THE TRANSITION FROM THE SWIFTREE CLIMBING STICK TO A TREE STAND PLATFORM BEFORE SECURING THE FALL RESTRAINT TETHER SECURELY TO THE TREE PER THE HARNESS MANUFACTURERS INSTRUCTIONS.**
- **NEVER CLIMB WITH ANYTHING IN YOUR HANDS OR ON YOUR BACK - USE A HAUL LINE!**
- **BE WELL RESTED AND NEVER GET IN A HURRY. HURRYING CAUSES ACCIDENTS!!**
- **IF YOU LOAN OR SELL THESE CLIMBING STICKS, IT IS YOUR RESPONSIBILITY TO FURNISH THE BUYER A COPY OF THESE INSTRUCTIONS AND THE VIDEO THAT CAME WITH THE SWIFTREE. MAKE SURE THEY WATCH THE VIDEO AND READ / UNDERSTAND THE INSTRUCTIONS!**
- **FAILURE TO FOLLOW THESE INSTRUCTIONS MAY CAUSE SERIOUS INJURY OR DEATH!!**

Summit products are manufactured under one or more of the following US Patents: 5,937,969; 5,971,104; 5,975,242; 5,979,603; 6,125,966; 6,182,792; 6,397,973; D,417,011; D,420,147

Summit Bucksteps and RapidClimb Stirrups are Patent Pending

---

### Warning

**Before each use of your Summit Treestand, ALWAYS inspect the treestand for any structural damage, cracks, cable wear or abrasion that may have occurred in transporting your treestand.  
DO NOT USE IF ANY DAMAGE IS FOUND!**

## Section 1. Assembling your new Treestand

### Part 1. Stand-off Assembly.

- Step 1.** Hold each column section facing away as shown in **Figure 1**.  
**Step 2.** Insert the 1.5" bolt through the column section as shown in **Figure 2**.  
**Step 3.** Place the stand-off bracket over the protruding bolt and securely tighten the lock nut as shown in **Figure 3**.  
**Step 4.** Repeat for the other two ladder sections.

### Part 2. SwiftTree Section Assembly.

**NOTE:** The bottom section has an oval shaped wire ring welded to the base. It should be the only section with this ring.

- Step 1.** Insert the swaged end of the bottom section into the open end of one of the remaining sections as shown in **Figure 4**. **MAKE SURE** that the U Shaped stand-off brackets on each section are on the same side. **MAKE SURE** that the sections are fully slid together so it contacts the rivet stop point.  
**Step 2.** Repeat **Step 1** for the other ladder section. Double check to insure that all three stand-off brackets are facing the same direction before use. See **Figure 5**.

### Section 2. Use of the SwiftTree Climbing Sticks

- Step 1.** Be sure that all tire ropes are hanging free. Place the assembled pole next to the tree so that the bottom oval and all other sections are the same distance from the tree (See **Figure 6**.) **NOTE:** All three stand-offs should contact the tree freely. **DO NOT FORCE** a stand-off to make contact by bending the ladder sections. If this happens, reposition the SwiftTree or locate another, more suitable tree.  
**Step 2.** The SwiftTree must be straight and vertical before it can be used. Press your weight on the first wire run of the bottom section until it settles firmly and completely into the ground.  
**Step 3.** On the bottom ladder section - wrap the 1/4" tie rope tightly around the tree as shown in **Figure 7**. This rope will be attached to the wire loop about 4' up from the end of the ladder section. The rope **MUST** be wrapped around so that it makes a horizontal loop around the tree and so that it has no slack. This can easily be done by pushing the ladder section so that the stand-off bracket is firmly against the tree before bringing the rope around.  
**Step 4.** Bring the rope through one side of the welded loop as shown in **Figure 8**.  
**Step 5.** Bring the rope back around to the other side and loop it around the pre attached rope end (See **Figure 9**.) Wrap the rope around itself several times so that the two sections of rope are pulled together tightly.  
**Step 6.** Tie the loose end of rope back to itself using half hitch knots - three is sufficient. Always test each knot assembly before using! (See **Figure 10**)  
**Step 7.** At this point you **MUST** attach a lineman's style belt to the tree to support your weight!  
**Step 8.** Climb the bottom section of the SwiftTree until you reach the second tie off rope on the next section. **WARNING!! DO NOT STAND ON THE NEXT SECTION UNTIL IT HAS BEEN TIED OFF!!! Repeat Steps 3 - 6 to secure.**  
**Step 9.** Repeat **Step 8** to secure the last section. **NEVER UNHOOK FROM YOUR LINEMAN'S BELT UNTIL YOU ARE CONNECTED TO A HARNESS SAFETY ROPE!**

**ALWAYS STEP DOWN FROM THE TOP OF THE SWIFTREE TO THE TREESTAND! NEVER ATTEMPT TO CLIMB INTO A STAND FROM THE SWIFTREE**

When descending to remove the SwiftTree: **DO NOT UNTIE ANY ROPE UNTIL YOU ARE SECURELY STANDING ON THE SECTION BELOW IT. ALWAYS USE A LINEMAN'S STYLE BELT FOR SUPPORT!**

### Section 3. Maintenance and Care of Your Treestand.

Because of the quality construction techniques used in manufacturing, your Summit Treestand is very durable under normal hunting conditions. However, since all hunting equipment that is exposed to the elements requires some maintenance and care, the following guidelines for caring for your SwiftTree should be used.

If you find the need to leave your SwiftTree outdoors for a short time, perhaps overnight or during a lunch break, **DO NOT** assume that nothing has changed when you return. Always re-inspect its security before use. Make especially sure that the tie ropes on the SwiftTree are tight and that nothing has been damaged or changed.

Since the SwiftTree is constructed primarily out of steel, it is very important to assure that any areas where the powdercoat finish has been worn or chipped are properly cleaned and re-primed with a quality metal primer to prevent the formation of rust. The finish that is applied during manufacture is very durable and should only need touch-ups in areas of heavy wear or accidental impact.

Should you damage any part of your SwiftTree, contact your nearest authorized Summit dealer or the factory to obtain the proper corrective action procedure and/or replacement parts for the treestand. Unauthorized repairs, modifications, or alterations will void the warranty and could degrade the integrity of the treestand. You must perform periodic inspections of the treestand for damage. **WARNING: DO NOT use the SwiftTree if ANY obvious or suspected damage is observed.**

For your safety, we strongly recommend that you regularly inspect your SwiftTree for damage. Look for nicks, gouges, cracks, bends, corrosion, or similar damage that could be the result of improper use or accidental damage. For instance, this could occur if someone else used the SwiftTree without knowledge of proper use, or if the SwiftTree were dropped or hit by a motor vehicle, or subjected to corrosive conditions. Always inspect all ropes for cuts, worn places, abrasion, fraying, and discoloration before use. When not in use, always store the SwiftTree inside and away from exposure to the elements. The SwiftTree has a high structural integrity by design, material selection and manufacturing techniques, but as its owner only your continued care will assure trouble-free performance.

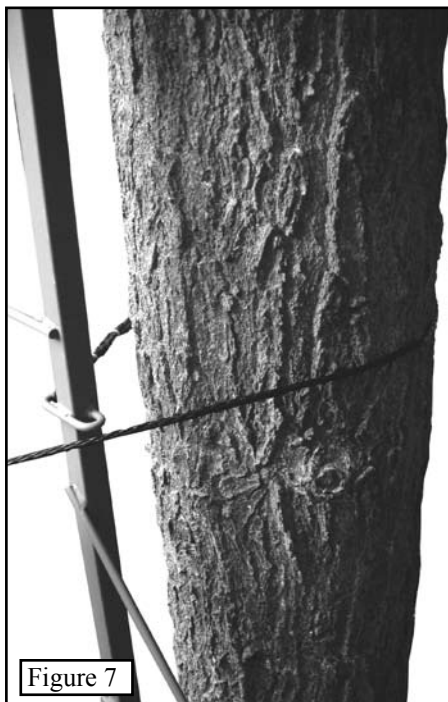
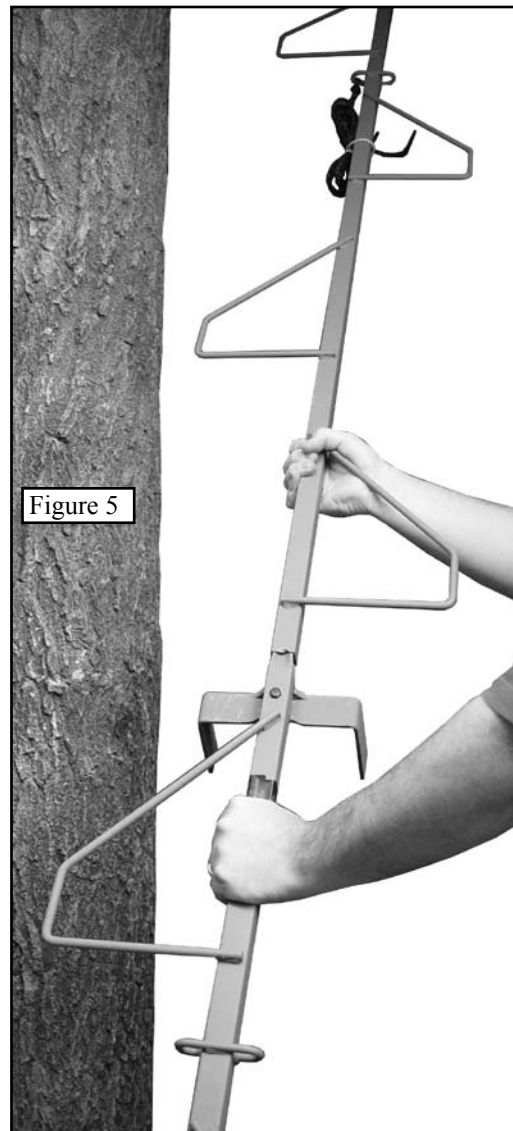
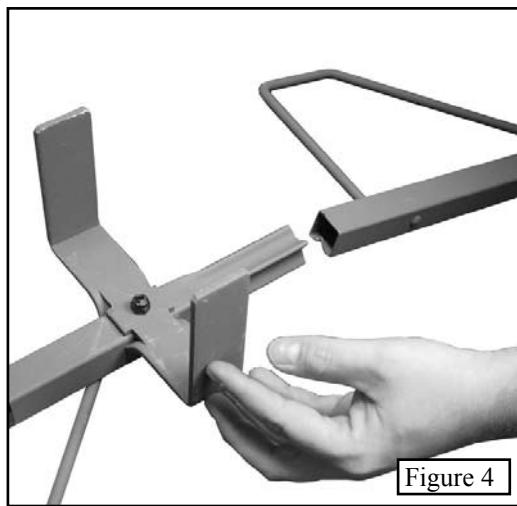
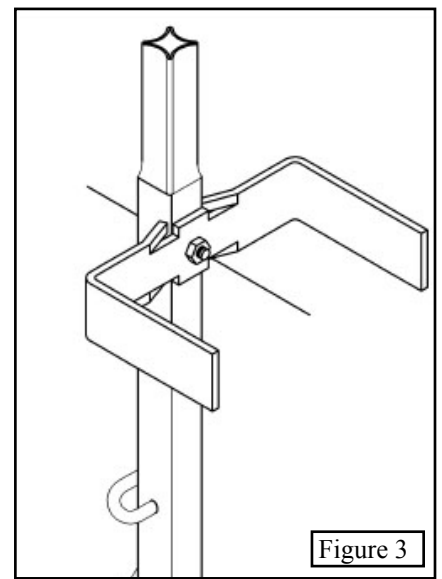
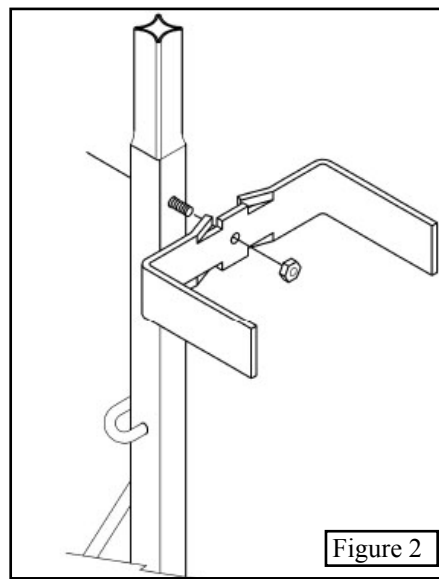
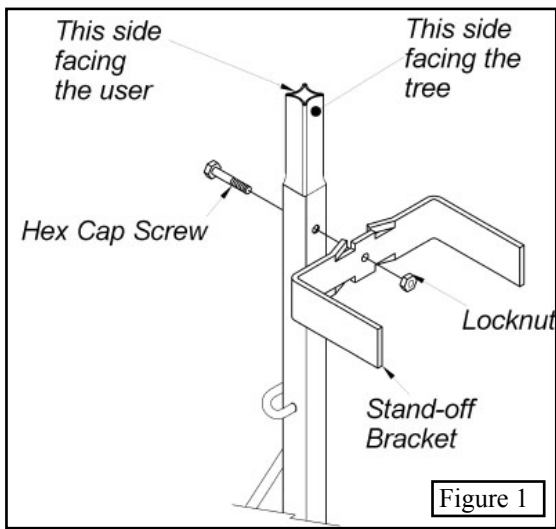
**WARNING!!** Summit requires that you replace the ropes at least annually, or perhaps sooner if excessive wear is noticed.

### Good Hunting and Hunt Safe!

**HUNT TOMORROW...**

**...USE YOUR SAFETY HARNESS TODAY!**

©(STLLC 2006)



**Limited Warranty**

**(A) Warranty**

Summit Treestands, LLC (Summit) warrants to the original retail purchaser that all products manufactured by it are free from defects in material and manufacture at the time of shipment for sixty (60) months from the date of purchase. Summit will repair or replace any part found defective if the unit claimed to be defective shall be returned to Summit, postage prepaid, within the warranty period.

This warranty shall not apply to any product which has been subjected to misuse; misapplication; neglect (including but not limited to improper maintenance); accident; improper installation; modification (including but not limited to use of unauthorized parts or attachments); adjustment or repair. THE FOREGOING IS IN LIEU OF ALL OTHER WARRANTIES, WHETHER EXPRESS OR IMPLIED (INCLUDING THOSE OF MERCHANTABILITY AND FITNESS OF ANY PRODUCT FOR A PARTICULAR PURPOSE), AND OF ANY OTHER OBLIGATION OF LIABILITY ON THE PART OF THE COMPANY.

**(B) Limitation of Liability**

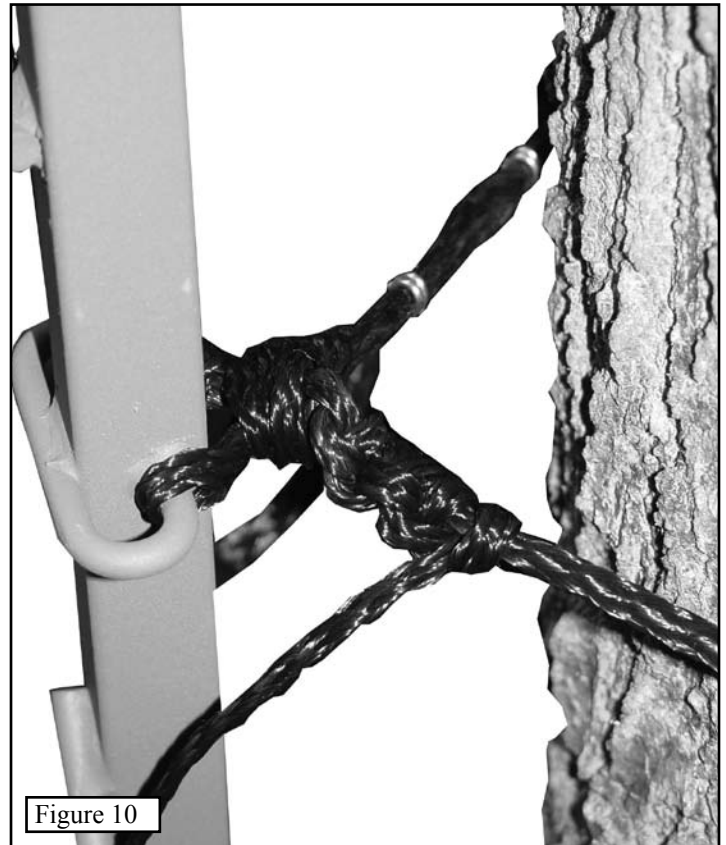
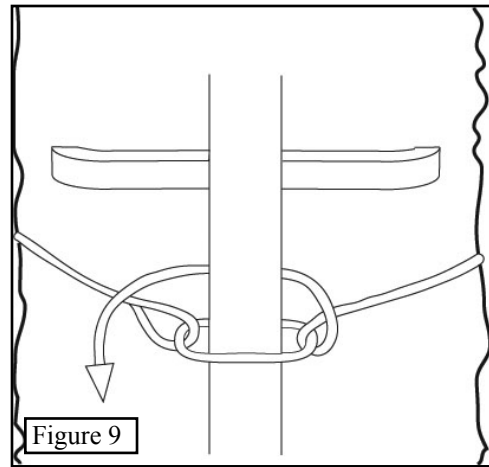
It is expressly understood that Summit's liability for its products, whether due to breach of warranty, negligence, strict liability, or otherwise, is limited to the repair of the product, as stated above, and Summit will not be liable for any other injury, loss, damage, or expense, whether direct or consequential, including but not limited to loss of use, income, profit, or damage to material, arising in connection with the sale, installation, use of, inability to use, or the repair or replacement of Summit's products.

Summit reserves the right to make alterations or modifications in its products at any time, which in its opinion, may improve the performance and efficiency of the product. It shall not be obligated to make such alterations or modifications to products already in service.

Please fill out the warranty card and return to:

**SUMMIT Treestands, LLC.  
715 Summit Dr.  
Decatur, AL 35601**

You can also register your warranty card on line at:  
[www.summitstands.com/warranty.aspx](http://www.summitstands.com/warranty.aspx)



**VISIT US ONLINE AT  
WWW.SUMMITSTANDS.COM  
FOR ACCESSORIES OR  
REPLACEMENT PARTS!**

Cut Along Line

Cut Along Line

**Warranty Card for Summit Treestand**

Treestand Purchased: SwifTree (PN 82001)

Owners Name: \_\_\_\_\_ Street Address: \_\_\_\_\_

City: \_\_\_\_\_ State: \_\_\_\_\_ ZIP: \_\_\_\_\_ Phone: ( ) \_\_\_\_\_

Date Purchased: \_\_\_\_\_ Purchased From (Dealer Name): \_\_\_\_\_ Price \$: \_\_\_\_\_

Your heard about us through: Magazine  Advertisement  Video  Friend  Summit Catalog

Other Please Explain: \_\_\_\_\_