

SwifTree Climbing Stick - Instruction Booklet

READ ME FIRST!!!

Please read carefully **BEFORE** using your new Summit SwifTree Climbing Sticks.

Congratulations! You have purchased the finest commercially available treestand on the market today. Summit SwifTree Climbing Sticks are designed and built to provide years of trouble-free, successful hunting with a minimum of maintenance and care. They are certified to meet the requirements of the Treestand Manufacturers Association (TMA) Standards. This booklet is provided to you to outline the recommended use, care and maintenance of your Summit SwifTree Climbing Sticks.

Please read and follow all general safety warnings and precautions listed on the next page! Use of a lineman's style climbing belt / rope is **MANDATORY** for hanging the SwifTree.

WARNING

You must fully read, understand and follow these warnings and instructions (written and video)! Failure to follow these instructions may cause serious injury or death!!

You **MUST** also view the enclosed DVD **BEFORE** using your new treestand / climbing aid / ladder stand / pod stand!! If this DVD does not play in your DVD player - please contact us for a replacement.

WEIGHT LIMIT 260 LBS:

Tree Size: 8-20" diameter

- **WHEN HUNTING FROM A TREESTAND FALLS CAN OCCUR ANY TIME AFTER LEAVING THE GROUND CAUSING INJURY OR DEATH! FOR THOSE REASONS ALWAYS WEAR A FALL ARREST SYSTEM (FAS) COMPRISING A FULL BODY HARNESS AT ALL TIMES AFTER LEAVING THE GROUND. YOU MUST STAY CONNECTED AT ALL TIMES AFTER LEAVING THE GROUND WHILE USING CLIMBING AND HANG-ON TREESTANDS. SINGLE SAFETY BELTS AND CHEST HARNESSES ARE NO LONGER PREFERRED AND SHOULD NEVER BE USED. IF YOU ARE NOT WEARING A FULL BODY HARNESS THAT IS PROTECTING YOU FROM A FALL, DO NOT LEAVE THE GROUND!**
- **READ AND UNDERSTAND ALL OF THE MANUFACTURER'S WARNINGS AND INSTRUCTIONS AND USE ALL SAFETY DEVICES PROVIDED. CONTACT SUMMIT TREESTANDS FOR ANY QUESTIONS. FAILURE TO DO SO COULD RESULT IN INJURY OR DEATH!**
- **A SIGNAL DEVICE SUCH A MOBILE PHONE, RADIO, WHISTLE, SIGNAL FLARE OR PERSONAL LOCATOR DEVICE (PLD) MUST BE ON YOUR PERSON AND READILY AVAILABLE AT ALL TIMES! INFORM SOMEONE OF YOUR HUNTING LOCATION, WHERE THE TREESTAND WILL BE LOCATED AND THE EXPECTED DURATION OF THE HUNT!**
- **DO NOT USE ANY TREESTAND UNLESS YOU ARE IN GOOD PHYSICAL SHAPE AND HAVE NO PHYSICAL LIMITATIONS OR MEDICAL CONDITIONS WHICH MAY PREVENT YOU FROM SAFELY USING THIS PRODUCT. ALWAYS CONSULT A PHYSICIAN IF YOU HAVE ANY QUESTIONS ABOUT YOUR PHYSICAL ABILITY TO USE THIS PRODUCT.**
- **NEVER USE A TREESTAND WHILE TAKING DRUGS, ALCOHOL OR CERTAIN PRESCRIPTION DRUGS! ALWAYS CONSULT A PHYSICIAN IF YOU HAVE ANY QUESTION ABOUT TAKING SPECIFIC MEDICATIONS AND USING THIS PRODUCT!**
- **NEVER USE A TREESTAND DURING INCLEMENT WEATHER SUCH AS RAIN, LIGHTNING, WINDSTORMS OR ICY CONDITIONS!**
- **NEVER USE A TREESTAND WHEN FEELING ILL, NAUSEOUS, DROWSY OR DIZZY!**
- **BE WELL RESTED AND NEVER HURRY. HURRYING CAUSES ACCIDENTS!**
- **NEVER USE A TREESTAND ON A DEAD, LEANING, DISEASED, LOOSE BARKED TREE, ON A UTILITY POLE OR ON TREES THAT HAVE ANY OBSTRUCTIONS THAT MAY LIMIT TREESTAND USE! NEVER RELY ON A TREE BRANCH FOR SUPPORT!**
- **NEVER JUMP OR BOUNCE ON A TREESTAND TO SECURE IT TO THE TREE!**
- **PULL UP A BOW, BACKPACK, FIREARM OR OTHER EQUIPMENT ONLY AFTER SECURING YOUR SAFETY HARNESS TO THE TREE. FIREARMS MUST BE PULLED UP UNLOADED, CHAMBER OPEN AND MUZZLE DOWN!**
- **NEVER MODIFY YOUR STAND IN ANY WAY BY MAKING REPAIRS, REPLACING PARTS, OR ALTERING ADDING OR ATTACHING ANYTHING TO IT EXCEPT IF EXPLICITLY AUTHORIZED BY THE MANUFACTURER!**
- **PRACTICE INSTALLING, ADJUSTING AND USING YOUR TREESTAND AT GROUND LEVEL PRIOR TO USING IT AT ELEVATED POSITIONS!**
- **INSTRUCTIONS (WRITTEN AND VIDEO) SHOULD BE KEPT IN A SAFE PLACE AND REVIEWED AT LEAST ANNUALLY. IT IS THE RESPONSIBILITY OF THE TREESTAND OWNER TO FURNISH THE INSTRUCTIONS TO ANY PERSON THAT WHO BORROWS OR PURCHASES THE TREESTAND! THIS SUMMIT TREESTAND IS DESIGNED TO BE USED AS A COMPLETE SYSTEM - NEVER LOAN OR SELL ONLY A PORTION OF THE CLIMBING TREESTAND SYSTEM.**
- **BEFORE EACH USE OF YOUR SUMMIT TREESTAND, ALWAYS INSPECT THE TREESTAND AND HARNESS FOR ANY DAMAGE, CRACKS, TEARS, CABLE WEAR OR ABRASION THAT MAY HAVE OCCURRED IN TRANSPORTING / STORING YOUR TREESTAND. DO NOT USE IF ANY DAMAGE IS FOUND! CONTACT CUSTOMER SERVICE FOR THE APPROPRIATE REPAIR / REPLACEMENT PROCEDURE!**
- **CHECK EVERY STICK LADDER SECTION CONNECTION EVERY TIME YOU USE THE STICK LADDER BEFORE YOU LEAVE THE GROUND. IF STICK LADDER SECTIONS ARE SEPARATING, DO NOT USE THE STICK LADDER.**
- **DO NOT LEAVE YOUR TREESTAND OUTDOORS WHEN IT IS NOT BEING USED! ANY STAND TUBING THAT IS ALLOWED TO FILL WITH RAINWATER AND FREEZE WILL RUPTURE OR BURST - DO NOT USE YOUR TREESTAND IF THIS OCCURS!**

Section 1. Assembling Your new SwiftTree Ladder

Please contact us at www.summitstands.com or 256-353-0634 to obtain any missing parts or if your DVD does not work.

Part 1. Stand-off Assembly.

Step 1. Position the ladder column as shown in *Figure 1*. The triangle shaped rungs are welded on the side facing the user. The stand off bracket should be positioned so that it is on the side that faces the tree.

Step 2. Insert the 1.5" bolt through the column section as shown in *Figure 2*.

Step 3. Place the stand-off bracket over the protruding bolt and securely tighten the lock nut as shown in *Figure 3*.

Step 4. Repeat for the other two ladder sections.

Part 2. SwiftTree Section Assembly.

NOTE: The bottom section has an oval shaped wire ring welded to the base. It should be the only section with this ring. It must always be used as the bottom / ground level ladder section

Step 1. Insert the swaged end of the bottom section into the open end of one of the remaining sections as shown in *Figure 4*.

WARNING

ALWAYS ENSURE that the U-shaped stand-off brackets on each section are on the same side once assembled.
ALWAYS ENSURE that the sections are fully slid together so each end contacts the rivet stop point before climbing.

Step 2. Repeat **Step 1** for the other ladder sections. Double check to insure that all three stand-off brackets are facing the same direction before use. See *Figure 5*.

Section 2. Use of the SwiftTree Climbing Sticks

Part 1. Attaching to the tree.

Step 1. Be sure that all tie ropes are hanging free. Place the assembled pole next to the tree so that the bottom oval and all other sections are the same distance from the tree (See *Figure 6*.)

CAUTION

All three stand-offs should contact the tree freely.

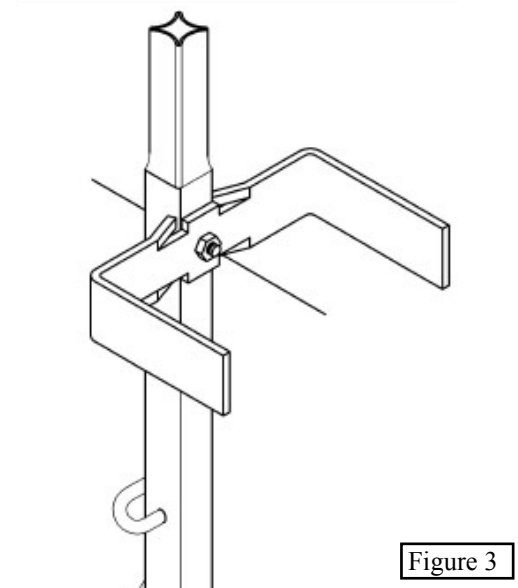
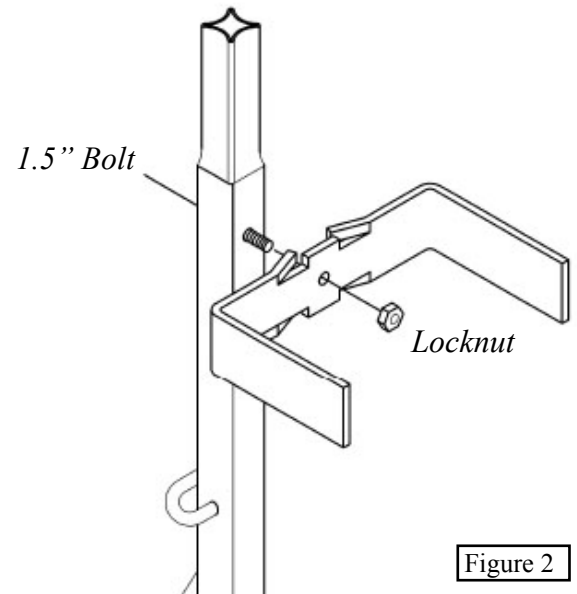
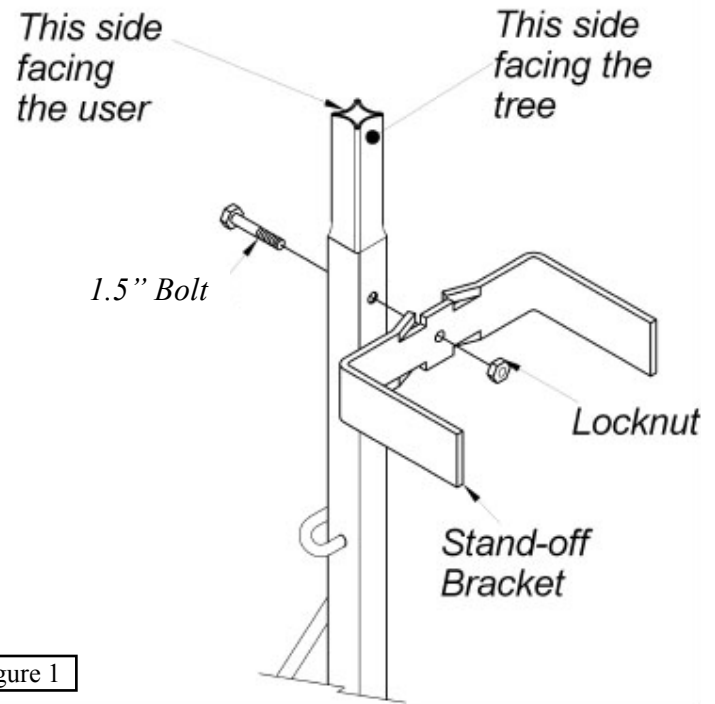
DO NOT FORCE a stand-off to make contact by bending the ladder sections. If this happens, reposition the SwiftTree or locate a more suitable tree.

Step 2. The SwiftTree must be straight and vertical before it can be used. Carefully press your weight on the first wire rung of the bottom section until it settles firmly and completely into the ground.

Step 3. On the bottom ladder section - wrap the 1/4" tie rope tightly around the tree as shown in *Figure 7*. This rope will be attached to the wire loop about 4' down from the end of the ladder section. The rope **MUST** be wrapped around so that it makes a horizontal loop around the tree and so that it has no slack. This can easily be done by pushing the ladder section so that the stand-off bracket is firmly against the tree before bringing the rope around.

Step 4. Bring the rope through one side of the welded loop as shown in *Figure 8*.

Step 5. Bring the rope behind and back around to the other side then loop it around the pre attached rope end (See *Figure 9*.) Wrap the rope around itself several times so that the two sections of rope are pulled together tightly.



Step 6. Tie the loose end of rope back to itself using half hitch knots - three is sufficient. (See *Figure 10*)

⚠ WARNING

Before proceeding **YOU MUST** properly attach a lineman's style belt (from a properly worn full body harness to the tree) in order to support your weight. See your Harness Instructions for details. A full body harness and lineman's belt **MUST BE USED AT ALL TIMES** when installing or removing any hang-on climbing aids or hang-on stands.

Step 7. Climb the bottom section of the SwifTree until you reach the second tie off rope on the next section.

⚠ WARNING

Do not stand on or support your weight using the next unsecured SwifTree section until it has been properly tied off to the tree!!!

Step 8. Repeat the tie-off procedure from **Steps 3-6** to secure the second section.

Step 9. Repeat **Step 7** to secure the last section. Remember to **NEVER** climb onto an unsecured section.

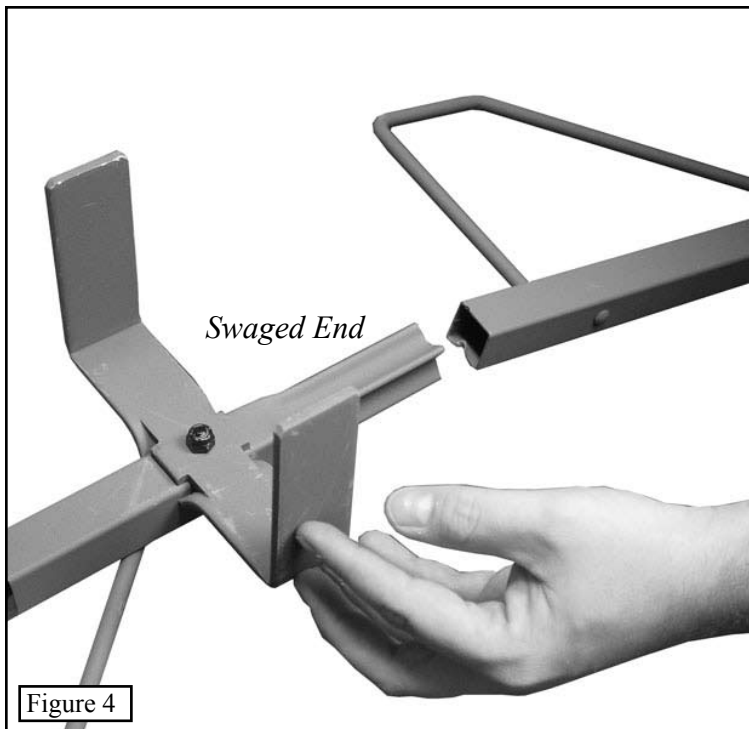


Figure 4

⚠ WARNING

NEVER unhook from your lineman's belt until your full body harness is properly connected to the tree using a safety rope or strap. **YOU MUST** attach your full body harness to a safety rope or strap **BEFORE** you attempt to step down into your treestand.

⚠ WARNING

ALWAYS STEP DOWN from the top of the SwifTree to the treestand! **NEVER** attempt to climb into a stand from the SwifTree. The SwifTree **MUST** be placed on the tree at a height above the platform where the user can maintain a hand hold on the unit and step downwards onto the treestand. **NEVER** step up from a climbing device to get into your stand.

⚠ WARNING

When descending to remove the SwifTree: **NEVER** untie any tie-off rope until you are securely standing on the section below it. **ALWAYS** support your weight on the SwifTree section still securely attached and **ALWAYS** use a lineman's belt and full body harness until you are securely on the ground!



Figure 5

Section 3. Maintenance and Care of Your SwiftTree.

Because of the quality construction techniques used in manufacturing, your Summit Treestand is very durable under normal hunting conditions. However, since all hunting equipment that is exposed to the elements requires some maintenance and care, the following guidelines for caring for your SwiftTree should be used.

If you find the need to leave your SwiftTree outdoors for a short time, perhaps overnight or during a lunch break, **DO NOT** assume that nothing has changed when you return. Always re-inspect its security before use. Make especially sure that the tie ropes on the SwiftTree are tight and that nothing has been damaged or changed.

Since the SwiftTree is constructed primarily out of steel, it is very important to assure that any areas where the powdercoat finish has been worn or chipped are properly cleaned and re-primed with a quality metal primer to prevent the formation of rust. The finish that is applied during manufacture is very durable and should only need touch-ups in areas of heavy wear or accidental impact.

Should you damage any part of your SwiftTree, contact your nearest authorized Summit dealer or the factory to obtain the proper corrective action procedure and/or replacement parts for the treestand. Unauthorized repairs, modifications, or alterations will void the warranty and could degrade the integrity of the treestand. You must perform periodic inspections of the treestand for damage.

⚠ WARNING

DO NOT use the SwiftTree if **ANY** obvious or suspected damage is observed.

For your safety, we strongly recommend that you regularly inspect your SwiftTree for damage. Look for nicks, gouges, cracks, bends, corrosion, or similar damage that could be the result of improper use or accidental damage. For instance, this could occur if someone else used the SwiftTree without knowledge of proper use, or if the SwiftTree were dropped or hit by a motor vehicle, or subjected to corrosive conditions. Always inspect all ropes for cuts, worn places, abrasion, fraying, and discoloration before use. When not in use, always store the SwiftTree inside and away from exposure to the elements. The SwiftTree has a high structural integrity by design, material selection and manufacturing techniques, but as its owner only your continued care will assure trouble-free performance.

⚠ WARNING

Summit **REQUIRES** that you replace the tie-off ropes at least annually, or perhaps sooner if excessive wear is noticed.



Good Hunting and Hunt Safe!

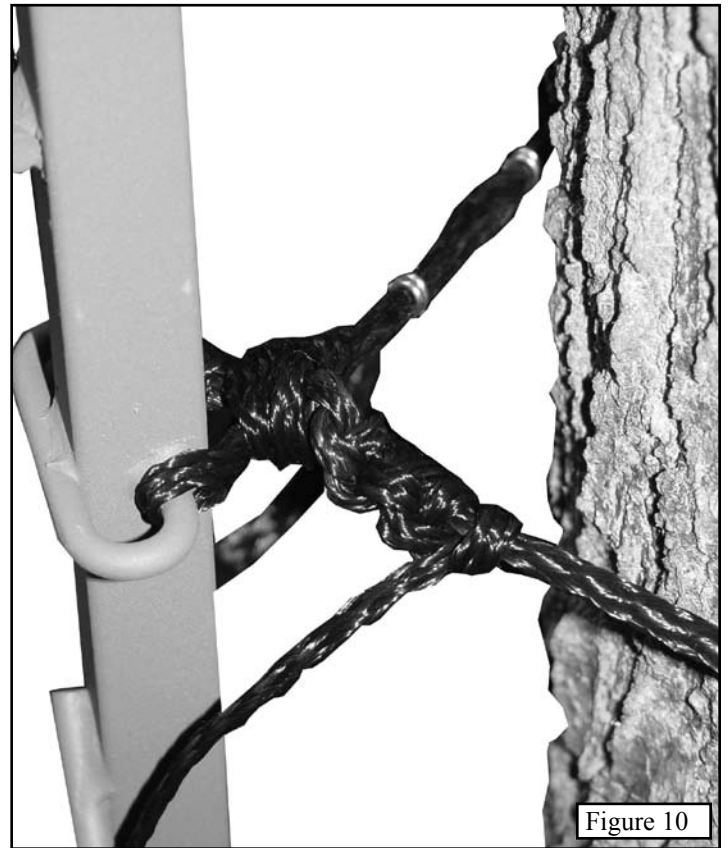
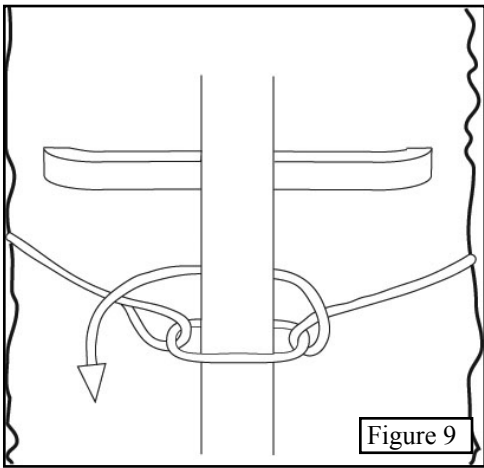
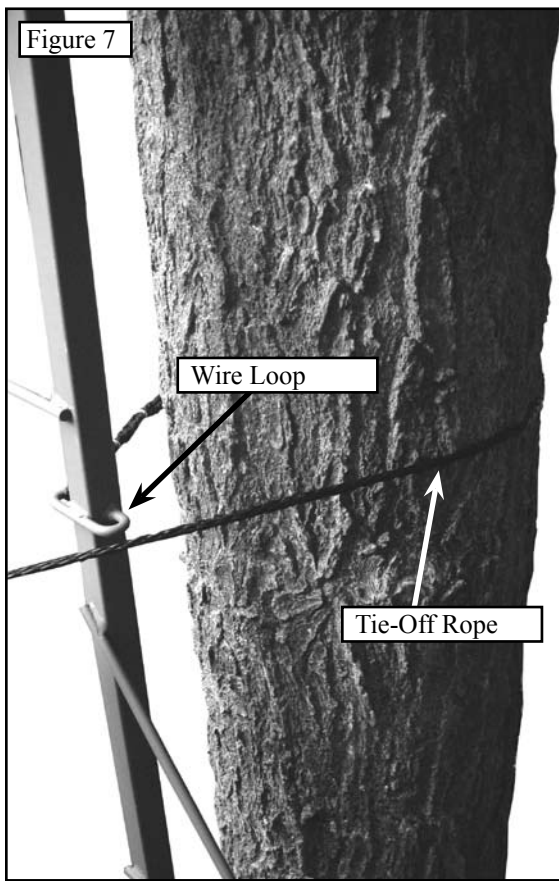
HUNT TOMORROW...

...USE YOUR SAFETY HARNESS TODAY!

©(STLLC 2008)

Summit products are manufactured under one or more of the following US Patents: 5,937,969; 5,971,104; 5,975,242; 5,979,603; 6,125,966; 6,182,792; 6,397,973; D,417,011; D,420,147; D,575,411

Summit Bucksteps are Patent Pending



**VISIT US ONLINE AT
WWW.SUMMITSTANDS.COM
FOR ACCESSORIES OR
REPLACEMENT PARTS!**

Limited Warranty

(A) Warranty

Summit Treestands, LLC (Summit) warrants to the original retail purchaser that all products manufactured by it are free from defects in material and manufacture at the time of shipment for sixty (60) months from the date of purchase. Summit will repair or replace any part found defective if the unit claimed to be defective shall be returned to Summit, postage prepaid, within the warranty period.

This warranty shall not apply to any product which has been subjected to misuse; misapplication; neglect (including but not limited to improper maintenance); accident; improper installation; modification (including but not limited to use of unauthorized parts or attachments); adjustment or repair. THE FOREGOING IS IN LIEU OF ALL OTHER WARRANTIES, WHETHER EXPRESS OR IMPLIED (INCLUDING THOSE OF MERCHANTABILITY AND FITNESS OF ANY PRODUCT FOR A PARTICULAR PURPOSE), AND OF ANY OTHER OBLIGATION OF LIABILITY ON THE PART OF THE COMPANY.

(B) Limitation of Liability

It is expressly understood that Summit's liability for its products, whether due to breach of warranty, negligence, strict liability, or otherwise, is limited to the repair of the product, as stated above, and Summit will not be liable for any other injury, loss, damage, or expense, whether direct or consequential, including but not limited to loss of use, income, profit, or damage to material, arising in connection with the sale, installation, use of, inability to use, or the repair or replacement of Summit's products.

Summit reserves the right to make alterations or modifications in its products at any time, which in its opinion, may improve the performance and efficiency of the product. It shall not be obligated to make such alterations or modifications to products already in service.

Please fill out the warranty card and return to:
SUMMIT Treestands, LLC.
715 Summit Dr.
Decatur, AL 35601

You can also register your warranty card on line at:
www.summitstands.com/warranty.aspx

Cut Along Line

Cut Along Line

Warranty Card for Summit Treestand

Treestand Purchased: SwifTree (PN 82001)

Owners Name: _____ Street Address: _____

City: _____ State: _____ ZIP: _____ Phone: (_____) _____

Date Purchased: _____ Purchased From (Dealer Name): _____ Price \$: _____

Your heard about us through: Magazine Advertisement Video Friend Summit Catalog

Other Please Explain: _____