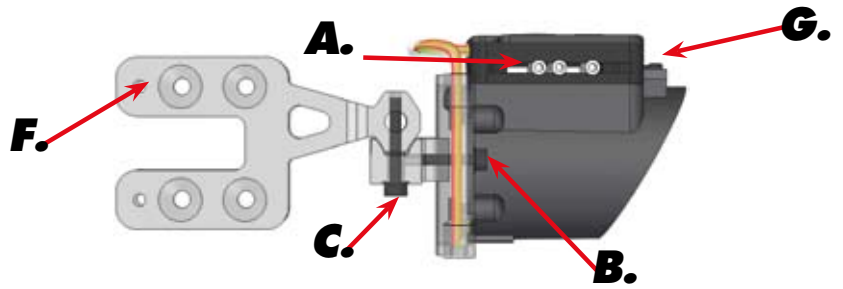


1. Basic Features

- A. Fiber Pin Adjustment Bolts (3/32" hex)**
- B. Vertical Adjustment Bolt (5/32" hex)**
- C. Horizontal Adjustment Bolt (5/32" hex)**
- D. Housing Bolts (7/64")**
- E. Clear Fiber Tube**
- F. Riser Bracket**
- G. Lens Retainer Bolts (Phillip's Head)**

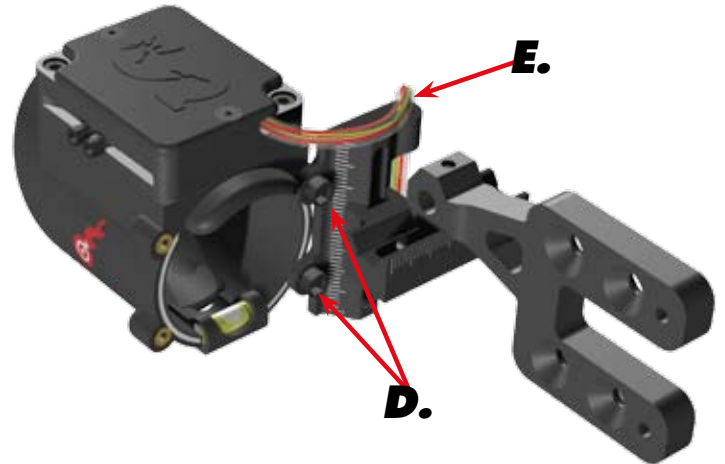


2. Bow Attachment

Your Hot Dot is pre-assembled at the factory for mounting on a Right Handed Bow Riser.

To convert to a Left Handed Bow Riser:

- Carefully slide the Clear Fiber Tube (Part E.) out of the two bracket holes.
- Remove the two Housing Bolts (shown on the right) Part D (7/64" hex).
- Flip the Entire Riser Assembly over so that it lines up with the two holes on the left side of the sight body.
- Bolt the Assembly to the left side of the bow sight - do not over tighten.
- Carefully slide the Clear Fiber Tube back into to the bracket holes.
- Use caution when moving the clear tube holding the Fiber Optic Strands - DO NOT kink the strands.



3. Pin Adjustment

The pins in your Hot Dot FOX are adjusted by loosening the Pin Adjustment Bolt A. (3/32" hex) and then by sliding forward or backward inside the housing.

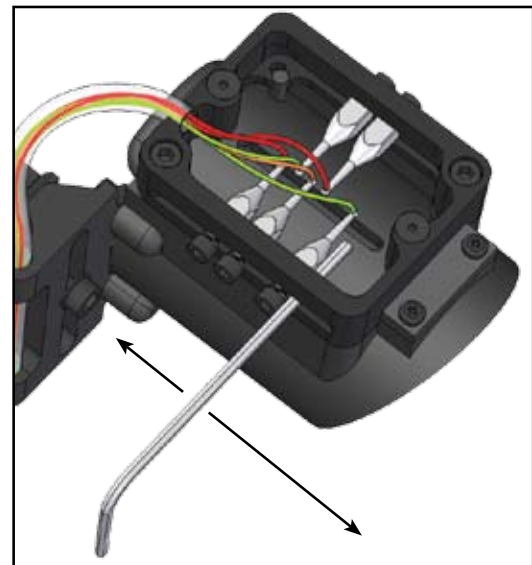


Use the 3/32" hex wrench to guide the pins when adjusting them. This will keep the pin from binding inside the housing.

Once you have adjusted the pin to the desired location, retighten but do not overtighten the bolt.



Extra vertical adjustment can be obtained by flipping the riser bracket (Part F) over.



4. Lens Removal

- Remove the two lens retainer bolts (G - Phillip's Head). Remove the lens retainer.
- Pull the lens up off of the alignment peg and out of the housing.
- Insert a new lens (sold separately) into the slot. Use caution to avoid scratching the lens. Align the bottom of the lens with the padded slot in the bottom of the sight housing.
- Push the lens down over the alignment peg and into the sight housing.
- Replace retainer cap and screws - do not overtighten.



5. Light Attachment *(sold separately)*

- Screw the Optional Hot Dot light into the bottom threaded hole on the sight bracket. Do not overtighten.
- Turn the knurled end of the light to activate it.

6. Warranty

Summit Treestands LLC warrants to the original retail purchaser that this product is free from defects in material and manufacture for twelve (12) months from time of purchase. This warranty does not apply to the clear lens assembly. This warranty does not apply to any product which has been subjected to misuse, misapplication, neglect, improper installation or modification. Removal of the internal electronic assembly (Hot Dot PLUS Model) will void this warranty. Summit Treestands will not guarantee the accuracy of the sight if the board has been removed.

Please contact us at www.summitshotdot.com for any warranty repair questions.

Summit Treestands recommends this sight be installed at an experienced Pro Shop. Please see your dealer if you have any questions on how to install this sight or adjust settings on your bow. We reserve the right to make changes or improvements to this product, without notice, at any time. When installing and sighting in this sight, make sure no part of the arrow comes into contact with any part of the housing or riser brackets.

7. Contact Us

Summit Treestands, LLC.
715A Summit Dr.
Decatur, AL 35601
256-353-0634

www.summitstands.com

www.summitshotdot.com

