



Summit Classic
Swiftree
PN 82001



WARNING

You must fully read, understand and follow these warnings and instructions (written and video)! Failure to follow these instructions may cause serious injury or death!!

You **MUST** also view the enclosed DVD **BEFORE** using your new tripod!!

WEIGHT LIMIT

SINGLE USER
260 LBS. X 1 TOTAL*

DO NOT EXCEED THIS LIMIT!
(* Includes all gear)

Stand minimum and maximum
tree size: **8-20" diameter**

- **WHEN HUNTING FROM A TREESTAND FALLS CAUSING INJURY OR DEATH CAN OCCUR ANY TIME AFTER LEAVING THE GROUND!** FOR THOSE REASONS ALWAYS WEAR A FALL ARREST SYSTEM (FAS) COMPRISING A FULL BODY HARNESS AT ALL TIMES AFTER LEAVING THE GROUND. YOU MUST STAY CONNECTED AT ALL TIMES AFTER LEAVING THE GROUND WHILE USING ANY ELEVATED HUNTING PLATFORM. SINGLE SAFETY BELTS AND CHEST HARNESSES ARE NO LONGER ALLOWED AND SHOULD NEVER BE USED. IF YOU ARE NOT WEARING A FULL BODY HARNESS THAT IS PROTECTING YOU FROM A FALL, DO NOT LEAVE THE GROUND!
- READ AND UNDERSTAND ALL OF THE MANUFACTURER'S WARNINGS AND INSTRUCTIONS AND USE ALL SAFETY DEVICES PROVIDED. CONTACT SUMMIT TREESTANDS FOR ANY QUESTIONS. FAILURE TO DO SO COULD RESULT IN INJURY OR DEATH!
- A SIGNAL DEVICE SUCH A MOBILE PHONE, RADIO, WHISTLE, SIGNAL FLARE OR PERSONAL LOCATOR DEVICE (PLD) MUST BE ON YOUR PERSON AND READILY AVAILABLE AT ALL TIMES! ALWAYS INFORM SOMEONE OF YOUR HUNTING LOCATION, WHERE THE TREESTAND WILL BE LOCATED AND THE EXPECTED DURATION OF THE HUNT!
- DO NOT USE THIS PRODUCT OR ANY TREESTAND UNLESS YOU ARE IN GOOD PHYSICAL SHAPE AND HAVE NO PHYSICAL LIMITATIONS OR MEDICAL CONDITIONS WHICH MAY PREVENT YOU FROM SAFELY USING THIS PRODUCT. ALWAYS CONSULT A PHYSICIAN IF YOU HAVE ANY QUESTIONS ABOUT YOUR PHYSICAL ABILITY TO USE THIS PRODUCT.
- NEVER USE THIS PRODUCT OR ANY TREESTAND WHILE TAKING DRUGS, ALCOHOL OR CERTAIN PRESCRIPTION DRUGS! ALWAYS CONSULT A PHYSICIAN IF YOU HAVE ANY QUESTION ABOUT TAKING SPECIFIC MEDICATIONS AND USING THIS PRODUCT!
- NEVER USE THIS PRODUCT OR ANY TREESTAND DURING INCLEMENT WEATHER SUCH AS RAIN, LIGHTNING, WINDSTORMS OR ICY CONDITIONS! END YOUR HUNT AND RETURN TO THE GROUND IF ANY OF THESE INCLEMENT CONDITIONS ARISE.
- NEVER USE THIS PRODUCT OR ANY TREESTAND WHEN FEELING ILL, NAUSEOUS, DROWSY OR DIZZY!
- BE WELL RESTED AND NEVER HURRY. HURRYING CAUSES ACCIDENTS!
- NEVER USE THIS PRODUCT OR ANY TREESTAND ON A DEAD, LEANING, DISEASED, LOOSE BARKED TREE, ON A UTILITY POLE OR ON TREES THAT HAVE ANY OBSTRUCTIONS THAT MAY LIMIT TREESTAND USE! NEVER RELY ON A TREE BRANCH FOR SUPPORT!
- NEVER JUMP OR BOUNCE ON THIS PRODUCT OR ANY TREESTAND TO SECURE IT TO THE TREE!
- PULL UP A BOW, BACKPACK, FIREARM OR OTHER EQUIPMENT ONLY AFTER BEING SECURE IN THE TREESTAND. FIREARMS MUST BE PULLED UP UNLOADED, CHAMBER OPEN AND MUZZLE DOWN! NEVER CLIMB WITH ANYTHING ON YOUR BACK.
- NEVER MODIFY THIS PRODUCT OR YOUR STAND IN ANY WAY BY MAKING REPAIRS, REPLACING PARTS, OR ALTERING, ADDING OR ATTACHING ANYTHING TO IT EXCEPT IF EXPLICITLY AUTHORIZED IN WRITING BY THE MANUFACTURER!
- PRACTICE INSTALLING, ADJUSTING AND USING THIS PRODUCT AND YOUR TREESTAND AT GROUND LEVEL PRIOR TO USING IT AT ELEVATED POSITIONS!
- INSTRUCTIONS (WRITTEN AND VIDEO) SHOULD BE KEPT IN A SAFE PLACE AND REVIEWED AT LEAST ANNUALLY. IT IS THE RESPONSIBILITY OF THE TREESTAND OWNER TO FURNISH THE COMPLETE INSTRUCTIONS TO ANY PERSON WHO BORROWS OR PURCHASES THE TREESTAND! THIS SUMMIT TREESTAND IS DESIGNED TO BE USED AS A COMPLETE SYSTEM - NEVER LOAN OR SELL ONLY A PORTION OF THE HANG-ON TREESTAND SYSTEM.
- BEFORE EACH USE OF YOUR SWIFTREE OR TREESTAND, ALWAYS INSPECT THE TREESTAND AND HARNESS FOR ANY DAMAGE, CRACKS, TEARS, CABLE WEAR OR ABRASION THAT MAY HAVE OCCURRED IN TRANSPORTING / STORING YOUR TREESTAND. DO NOT USE IF ANY DAMAGE IS FOUND! CONTACT CUSTOMER SERVICE FOR THE APPROPRIATE REPAIR / REPLACEMENT PROCEDURE!
- DO NOT LEAVE YOUR TREESTAND OUTDOORS OR STORE IT OUTDOORS WHEN IT IS NOT BEING USED! ANY STAND TUBING THAT IS ALLOWED TO FILL WITH RAINWATER AND FREEZE WILL RUPTURE OR BURST - DO NOT USE YOUR TREESTAND IF THIS OCCURS!

1 INDEX

GENERAL WARNINGS AND PRECAUTIONS, STAND WEIGHT LIMITS
 SECTION 1 - INDEX
 SECTION 2 - PARTS LIST
 SECTION 3 - TOOLS REQUIRED
 SECTION 4 - ASSEMBLY
 SECTION 5 - INSTALLATION AND USE
 SECTION 6 - MAINTENANCE AND CARE
 SECTION 7 - LIMITED WARRANTY

PG 1
 PG 2
 PG 2
 PG 2
 PG 2 - 3
 PG 4 - 5
 PG 6
 PG 6

2 PARTS LIST

Please call 256-353-0634 or visit <http://www.summitstands.com/contactus/> if you have any questions, if you need replacement parts, if you have any missing parts or if the included DVD does not play.

SWIFTREE BOX CONTENTS

PN	DESCRIPTION	QTY
	UPPER LADDER SECTION	2
	LOWER LADDER SECTION	1
	STAND OFF BRACKETS	3
	HARDWARE PACKET	1
	SAFETY / INSTRUCTIONAL DVD	1
18013	WRITTEN INSTRUCTIONS	1

HARDWARE PACKET CONTENTS

PN	DESCRIPTION	QTY
	1 1/2", 1/4x20 BOLT	3
	LOCK NUT, 1/4x20	3

3 TOOLS REQUIRED

Tools

- 7/16" Wrench / Socket with Ratchet

Use

Stand off bracket bolts

4 ASSEMBLY

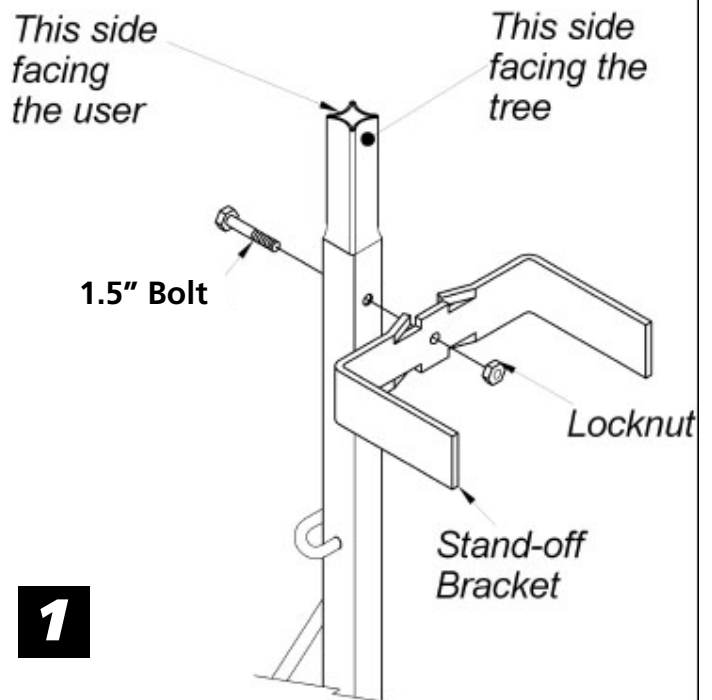
SWIFTREE SECTION ASSEMBLY

Step 1. Position the ladder column as shown in **figure 1**. The triangle shaped rungs are welded on the side facing the user. The stand off bracket should be positioned so that it is on the side that faces the tree.

Step 2. Insert the 1.5" bolt through the column section as shown in **figure 2**.

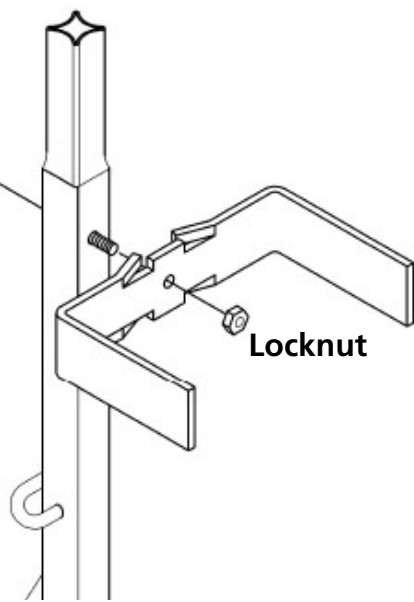
Step 3. Place the stand-off bracket over the protruding bolt and securely tighten the lock nut as shown in **figure 3**.

Step 4. Repeat for the other two ladder sections.

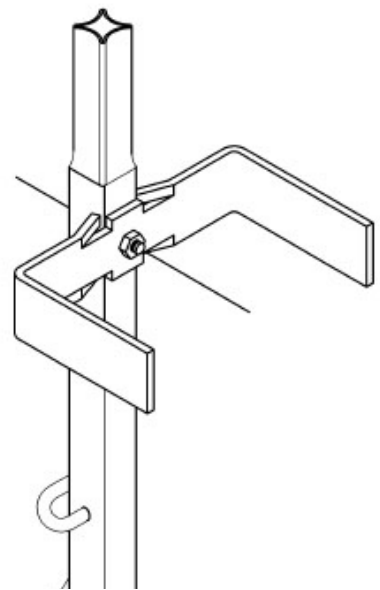


2

1.5" Bolt



3



SWIFTREE SECTION ASSEMBLY

NOTICE

The Lower Ladder Section has an oval shaped wire ring welded to the base. It should be the only section with this ring. It must always be used as the bottom / ground level ladder section

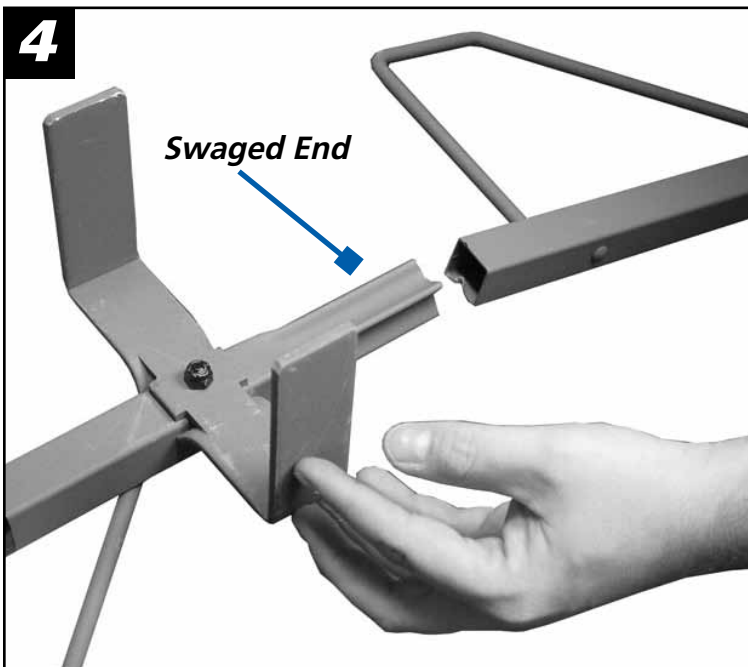
- Step 1.** Insert the swaged end of the bottom section into the open end of one of the remaining sections as shown in *figure 4*.
Step 2. Repeat **Step 1** for the other ladder sections. Double check to insure that all three stand-off brackets are facing the same direction before use. *See figure 5*.

⚠ WARNING

ALWAYS ENSURE that the U-shaped stand-off brackets on each section are on the same side once assembled.
 ALWAYS ENSURE that the sections are fully slid together so each end contacts the rivet stop point before climbing.

4

Swaged End



5



5 INSTALLATION AND USE

ATTACHING TO THE TREE

Step 1. Be sure that all tie ropes are hanging free. Place the assembled pole next to the tree so that the bottom oval and all other sections are the same distance from the tree (See figure 6.)

⚠ CAUTION

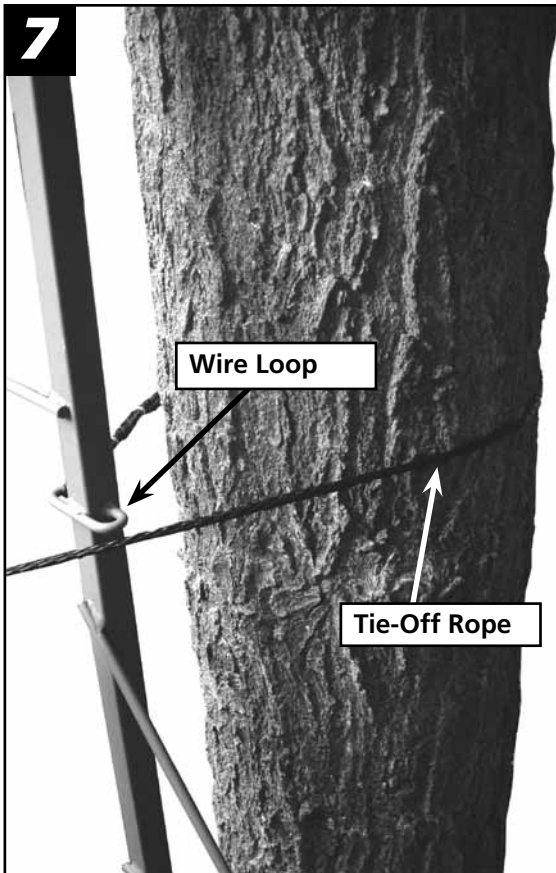
All three stand-offs should contact the tree freely.

DO NOT FORCE a stand-off to make contact by bending the ladder sections. If this happens, reposition the SwifTree or locate a more suitable tree.

Step 2. The SwifTree must be straight and vertical before it can be used. Carefully press your weight on the first wire rung of the bottom section until it settles firmly and completely into the ground.

Step 3. On the bottom ladder section - wrap the 1/4" tie rope tightly around the tree as shown in figure 7. This rope will be attached to the wire loop about 20" down from the end of the ladder section. The rope MUST be wrapped around so that it makes a horizontal loop around the tree and so that it has no slack. This can easily be done by pushing the ladder section so that the stand-off bracket is firmly against the tree before bringing the rope around.

Step 4. Bring the rope through one side of the welded loop as shown in figure 8.



Step 5. Bring the rope behind and back around to the other side then loop it around the pre attached rope end (See figure 9.) Wrap the rope around itself several times so that the two sections of rope are pulled together tightly.

Step 6. Tie the loose end of rope back to itself using half hitch knots - three is sufficient. (See figure 10)

⚠ WARNING

Before proceeding **YOU MUST** properly attach a lineman's style belt (from a properly worn full body harness to the tree) in order to support your weight. See your Harness Instructions for details. A full body harness and lineman's belt **MUST BE USED AT ALL TIMES** when installing or removing any hang-on climbing aids or hang-on stands.

Step 7. Climb the bottom section of the SwifTree until you reach the second tie off rope on the next section.

⚠ WARNING

Do not stand on or support your weight using the next unsecured SwifTree section until it has been properly tied off to the tree!!!

Step 8. Repeat the tie-off procedure from **Steps 3-6** to secure the second section.

Step 9. Repeat **Step 7** to secure the last section. Remember to **NEVER** climb onto an unsecured section.

⚠ WARNING

NEVER unhook from your lineman's belt until your full body harness is properly connected to the tree using a safety rope or strap. **YOU MUST** attach your full body harness to a safety rope or strap **BEFORE** you attempt to step down into your treestand.

⚠ WARNING

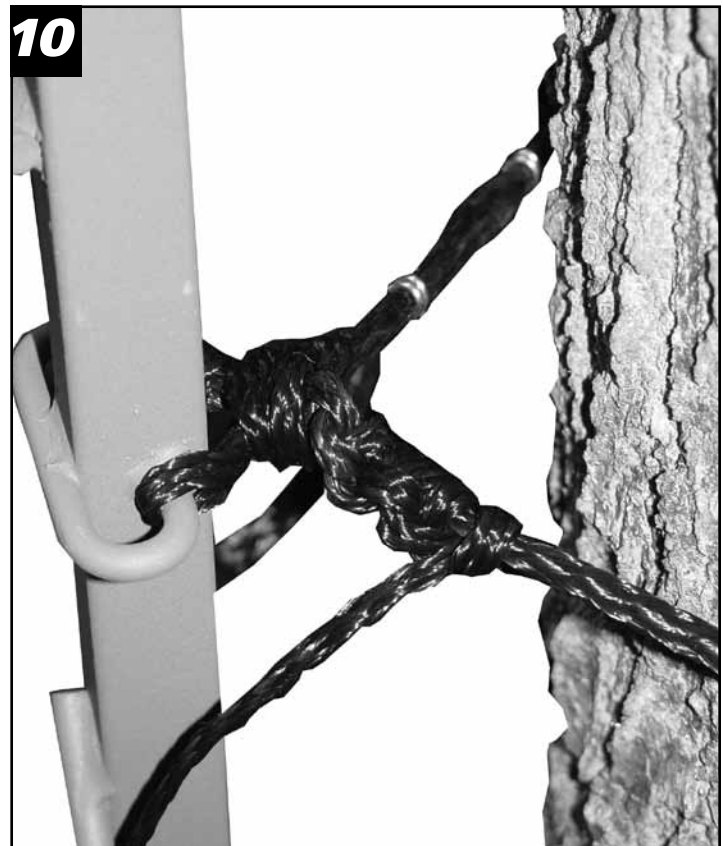
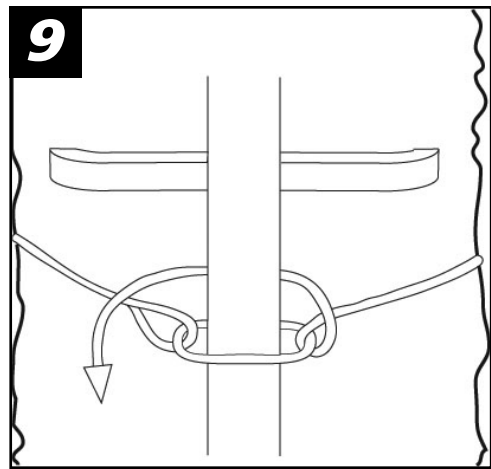
ALWAYS STEP DOWN from the top of the SwifTree to the treestand! **NEVER** attempt to climb into a stand from the SwifTree. The SwifTree **MUST** be placed on the tree at a height above the platform where the user can maintain a hand hold on the unit and step downwards onto the treestand. **NEVER** step up from a climbing device to get into your stand.

⚠ WARNING

When descending to remove the SwifTree: **NEVER** untie any tie-off rope until you are securely standing on the section below it. **ALWAYS** support your weight on the SwifTree section still securely attached and **ALWAYS** use a lineman's belt and full body harness until you are securely on the ground!

⚠ WARNING

Summit **REQUIRES** that you replace the tie-off ropes at least annually, or perhaps sooner if excessive wear is noticed.



6 MAINTENANCE AND CARE

The seat on this treestand is removable. We recommend it be removed and stored in a dry place when not in use.

The powdercoat finish applied at the factory is very durable and should only need touch ups in areas of heavy wear or accidental impact.

Should you damage any part of your Summit Treestand, contact your nearest authorized Summit dealer or the factory to obtain the proper corrective action procedure and/or replacement parts for the treestand.

⚠ CAUTION

Look for nicks, gouges, cuts, cracks, bends, corrosion or similar damage that can be the result of improper use or accidental damage. For instance, this could occur if someone else used the treestand without knowledge of its proper use, or if the treestand were dropped, hit by a motor vehicle or subject to corrosive conditions, etc.

Summit Treestands have the highest structural integrity by design, material selection and manufacturing techniques, but as its owner, only your continued care will assure trouble free performance. When the above-mentioned guidelines are followed, your Summit Treestand will provide years of successful hunting.

7 LIMITED WARRANTY

(A) Warranty

Summit Treestands, LLC (Summit) warrants to the original retail purchaser that all products manufactured by it are free from defects in material and manufacture at the time of shipment for sixty (60) months from the date of purchase. Summit will repair or replace any part found defective if the unit claimed to be defective shall be returned to Summit, postage prepaid, within the warranty period.

This warranty shall not apply to any product which has been subjected to misuse; misapplication; neglect (including but not limited to improper maintenance); accident; improper installation; modification (including but not limited to use of unauthorized parts or attachments); adjustment or repair. THE FOREGOING IS IN LIEU OF ALL OTHER WARRANTIES, WHETHER EXPRESS OR IMPLIED (INCLUDING THOSE OF MERCHANTABILITY AND FITNESS OF ANY PRODUCT FOR A PARTICULAR PURPOSE), AND OF ANY OTHER OBLIGATION OF LIABILITY ON THE PART OF THE COMPANY.

(B) Limitation of Liability

It is expressly understood that Summit's liability for its products, whether due to breach of warranty, negligence, strict liability, or otherwise, is limited to the repair of the product, as stated above, and Summit will not be liable for any other injury, loss, damage, or expense, whether direct or consequential, including but not limited to loss of use, income, profit, or damage to material, arising in connection with the sale, installation, use of, inability to use, or the repair or replacement of Summit's products.

Summit reserves the right to make alterations or modifications in its products at any time, which in its opinion, may improve the performance and efficiency of the product. It shall not be obligated to make such alterations or modifications to products already in service.

Please take the time to fill out the warranty card online at <http://www.summitstands.com/warranty> or fill out and mail in the enclosed warranty card.

Summit products are manufactured under one or more of the following US Patents: 5,937,969; 5,971,104; 5,975,242; 5,979,603; 6,125,966; 6,182,792; 6,397,973; D,417,011; D,420,147; D,575,411

Summit Bucksteps are Patent Pending

