

# INSTRUCTIONS

## **WARNING**

You must fully read, understand and follow these warnings and instructions (written and video)! Failure to follow these instructions may cause serious injury or death!!

You **MUST** also view the enclosed DVD **BEFORE** using your new treestand!!

### **WEIGHT LIMITS**

**300 LBS. TOTAL\***

**VIPER\*\* - 81066, 81529, 81530**

**ULTIMATE VIPER - 81072**

**SUMMIT 180 - 81069**

**350 LBS. TOTAL\***

**SUMMIT GOLIATH - 81067**

**SUMMIT 180 MAX - 81094**

**TITAN - 81087**

### **DO NOT EXCEED THIS LIMIT!**

**(\* Includes all gear)**

**(\*\* All Models)**

**Stand minimum and maximum  
tree size: 8-20" diameter**

**SUMMIT**  
EST. 1981  
**TREESTANDS**

**Climbing Treestands**  
**Viper SS / Ultimate Viper / Summit Goliath SS**  
PN 81066 PN 81072 PN 81067  
**Summit 180 / Summit 180 Max SS / Summit Titan**  
PN 81069 PN 81094 PN 81087

- **WHEN HUNTING FROM A TREESTAND FALLS CAUSING INJURY OR DEATH CAN OCCUR ANY TIME AFTER LEAVING THE GROUND!** FOR THOSE REASONS ALWAYS WEAR A FALL ARREST SYSTEM (FAS) COMPRISING A FULL BODY HARNESS AT ALL TIMES AFTER LEAVING THE GROUND. YOU MUST STAY CONNECTED AT ALL TIMES AFTER LEAVING THE GROUND WHILE USING ANY ELEVATED HUNTING PLATFORM. SINGLE SAFETY BELTS AND CHEST HARNESSES ARE NO LONGER ALLOWED AND SHOULD NEVER BE USED. IF YOU ARE NOT WEARING A FULL BODY HARNESS THAT IS PROTECTING YOU FROM A FALL, DO NOT LEAVE THE GROUND!
- READ AND UNDERSTAND ALL OF THE MANUFACTURER'S WARNINGS AND INSTRUCTIONS AND USE ALL SAFETY DEVICES PROVIDED. CONTACT SUMMIT TREESTANDS FOR ANY QUESTIONS. FAILURE TO DO SO COULD RESULT IN INJURY OR DEATH!
- A SIGNAL DEVICE SUCH A MOBILE PHONE, RADIO, WHISTLE, SIGNAL FLARE OR PERSONAL LOCATOR DEVICE (PLD) MUST BE ON YOUR PERSON AND READILY AVAILABLE AT ALL TIMES! ALWAYS INFORM SOMEONE OF YOUR HUNTING LOCATION, WHERE THE TREESTAND WILL BE LOCATED AND THE EXPECTED DURATION OF THE HUNT!
- DO NOT USE ANY TREESTAND UNLESS YOU ARE IN GOOD PHYSICAL SHAPE AND HAVE NO PHYSICAL LIMITATIONS OR MEDICAL CONDITIONS WHICH MAY PREVENT YOU FROM SAFELY USING THIS PRODUCT. ALWAYS CONSULT A PHYSICIAN IF YOU HAVE ANY QUESTIONS ABOUT YOUR PHYSICAL ABILITY TO USE THIS PRODUCT.
- NEVER USE A TREESTAND WHILE TAKING DRUGS, ALCOHOL OR CERTAIN PRESCRIPTION DRUGS! ALWAYS CONSULT A PHYSICIAN IF YOU HAVE ANY QUESTION ABOUT TAKING SPECIFIC MEDICATIONS AND USING THIS PRODUCT!
- NEVER USE A TREESTAND DURING INCLEMENT WEATHER SUCH AS RAIN, LIGHTNING, WINDSTORMS OR ICY CONDITIONS! END YOUR HUNT AND RETURN TO THE GROUND IF ANY OF THESE INCLEMENT CONDITIONS ARISE.
- NEVER USE A TREESTAND WHEN FEELING ILL, NAUSEOUS, DROWSY OR DIZZY!
- BE WELL RESTED AND NEVER HURRY. HURRYING CAUSES ACCIDENTS!
- NEVER USE A TREESTAND ON A DEAD, LEANING, DISEASED, LOOSE BARKED TREE, ON A UTILITY POLE OR ON TREES THAT HAVE ANY OBSTRUCTIONS THAT MAY LIMIT TREESTAND USE! NEVER RELY ON A TREE BRANCH FOR SUPPORT!
- NEVER JUMP OR BOUNCE ON A TREESTAND TO SECURE IT TO THE TREE!
- PULL UP A BOW, BACKPACK, FIREARM OR OTHER EQUIPMENT ONLY AFTER BEING SECURE IN THE TREESTAND. FIREARMS MUST BE PULLED UP UNLOADED, CHAMBER OPEN AND MUZZLE DOWN!
- UNDER NO CIRCUMSTANCE SHOULD YOU EVER RELEASE THE CABLE FROM THE PLATFORM OR SEAT CLIMBER TO MAKE ADJUSTMENTS ONCE YOU ARE OFF THE GROUND!!!
- NEVER MODIFY YOUR STAND IN ANY WAY BY MAKING REPAIRS, REPLACING PARTS, OR ALTERING, ADDING OR ATTACHING ANYTHING TO IT EXCEPT IF EXPLICITLY AUTHORIZED IN WRITING BY THE MANUFACTURER!
- PRACTICE INSTALLING, ADJUSTING AND USING YOUR TREESTAND AT GROUND LEVEL PRIOR TO USING IT AT ELEVATED POSITIONS!
- INSTRUCTIONS (WRITTEN AND VIDEO) SHOULD BE KEPT IN A SAFE PLACE AND REVIEWED AT LEAST ANNUALLY. IT IS THE RESPONSIBILITY OF THE TREESTAND OWNER TO FURNISH THE COMPLETE INSTRUCTIONS TO ANY PERSON WHO BORROWS OR PURCHASES THE TREESTAND! THIS SUMMIT TREESTAND IS DESIGNED TO BE USED AS A COMPLETE SYSTEM - NEVER LOAN OR SELL ONLY A PORTION OF THE CLIMBING TREESTAND SYSTEM.
- BEFORE EACH USE OF YOUR SUMMIT TREESTAND, ALWAYS INSPECT THE TREESTAND AND HARNESS FOR ANY DAMAGE, CRACKS, TEARS, CABLE WEAR OR ABRASION THAT MAY HAVE OCCURRED IN TRANSPORTING / STORING YOUR TREESTAND. DO NOT USE IF ANY DAMAGE IS FOUND! CONTACT CUSTOMER SERVICE FOR THE APPROPRIATE REPAIR / REPLACEMENT PROCEDURE!
- DO NOT LEAVE YOUR TREESTAND OUTDOORS OR STORE IT OUTDOORS WHEN IT IS NOT BEING USED! ANY STAND TUBING THAT IS ALLOWED TO FILL WITH RAINWATER AND FREEZE WILL RUPTURE OR BURST - DO NOT USE YOUR TREESTAND IF THIS OCCURS!

FORM# 18034, 1/2010

# 1 INDEX

GENERAL WARNINGS AND PRECAUTIONS, STAND WEIGHT LIMITS	PG 1
SECTION 1 - INDEX	PG 2
SECTION 2 - PARTS LIST	PG 2
SECTION 3 - TOOLS REQUIRED	PG 2
SECTION 4 - ASSEMBLY	PG 3-4
SECTION 5 - ULTIMATE VIPER ACCESSORIES	PG 4-5
SECTION 6 - SETUP AND USE	PG 6-11
SECTION 7 - TIPS	PG 11
SECTION 8 - MAINTENANCE AND CARE	PG 12
SECTION 9 - HARNESS SUSPENSION INFORMATION	PG 12
SECTION 10 - LIMITED WARRANTY INFORMATION	PG 12

# 2 PARTS LIST

Please call 256-353-0634 or visit <http://www.summitstands.com/contactus/> if you have any questions, if you need replacement parts, if you have any missing parts or if the included DVD does not play.

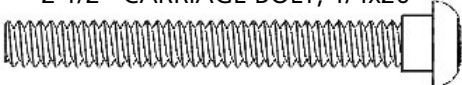
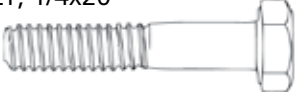


## BOX CONTENTS

PN	DESCRIPTION	QTY
<b>INCLUDES ONE OF THE FOLLOWING:</b>		
41100	PLATFORM (VIPER, GOLIATH, 180)	1
41116	PLATFORM (TITAN, 180 MAX)	1
<b>INCLUDES ONE OF THE FOLLOWING:</b>		
41102	VIPER TOP (INCLUDING ULTIMATE)	1
40103	GOLIATH TOP	1
51106	180 TOP	1
51107	180 MAX TOP	1
41115	TITAN TOP	1
<b>INCLUDES ONE OF THE FOLLOWING:</b>		
70200	VIPER / GOLIATH / TITAN SEAT	1
70209	180 SEAT	1
70202	180 MAX / ULTIMATE VIPER SEAT	1
<b>INCLUDED WITH ALL MODELS:</b>		
30700	CLIMBING CABLE	2
72011	UNIVERSAL ACCESSORY PACKET	1
<b>INCLUDED WITH ULTIMATE VIPER ONLY!</b>		
40104	GUN REST TUBE	1
10949	COMFORT MAT	1
70280	DROP BLIND	1
70224	18" CAMO ARM PAD	1
10656	IN-LINE CABLE TIES	6
21071	GUN REST HARDWARE KIT	1

## 72011 - ACCESSORY PACKET CONTENTS

PN	DESCRIPTION	QTY
10534	STIRRUP	2
30341	STIRRUP BUNGEE WITH HOOK	1
21070	SITRRUP HARDWARE (2 BOLTS, 2 NUTS)	1
30283	1" CAMO BACKPACK STRAP	2
40274	2" CAMO BACKPACK STRAP W/ BUCKLE	1
30285	GREEN TOURNIQUET STRAP W/ BUCKLE	1
30536	STAND UMBILICAL ROPE	1
10656	IN LINE CABLE TIE	8
70226	72" ARM PAD	1
83054	SUMMIT 4 POINT SAFETY HARNESS W/ ATTACHED SRS STRAP	1
	HARNESS SAFETY STRAP	1
18029	WRITTEN HARNESS INSTRUCTIONS	1
18007	WARRANTY CARD	1
18030	2010 SAFETY AND INSTRUCTIONAL DVD	1

## 21071 - GUN REST HARDWARE PACKET

PN	DESCRIPTION	QTY
10632	2 1/2" CARRIAGE BOLT, 1/4x20	2
		
10601	1 3/4" BOLT, 1/4x20	2
		
10612	LOCK NUT, 1/4x20	2
		
10633	NEOPRENE WASHER	2
		
10544	GUN REST ADJUSTMENT BRACKET	4
10660	KNOB	2
20431	GUN REST MOUNTING BRACKET	2



# 3 TOOLS REQUIRED

### Tools

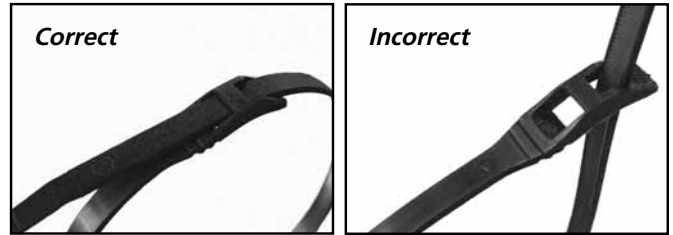
- 7/16" Wrenches and / or Socket / Ratchet
- Knife or Snips

# 4 ASSEMBLY



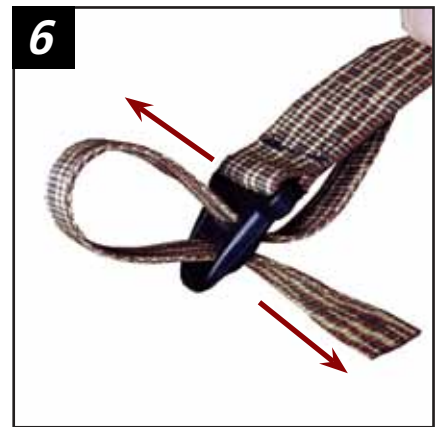
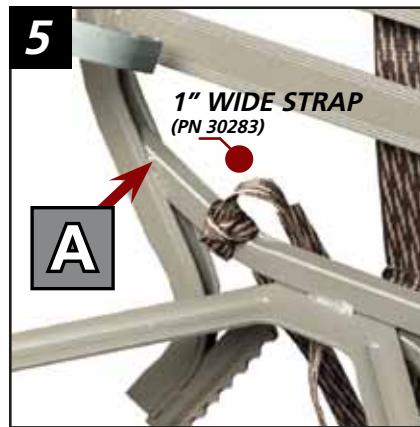
## COMFORT PAD

1. Position the 72" pad as shown in **figure 1**. Secure with 8 In-Line Cable Ties as shown. Please note the Correct and Incorrect ways of using the ties. Use a sharp knife or snips to trim the excess. Rotate the clasp under the pad after they have been trimmed.



## BACKPACK STRAPS

1. Wrap the buckle end of the 2" wide V strap around the first rung on the platform as shown in **figure 2**. Push the 3 Bar Slide through the buckle as shown in **figure 3**. The buckle should look like **figure 4** when complete. Pulling on the straps should cinch down the buckle.
2. Place the looped end of the 1" wide strap around the **platform** tubing at point **A** and bring the loose end back through the loop as shown in **figure 5**. Pull tight to create a cinch knot. Repeat for the other side.
3. Thread the loose end of each 1" strap through the buckle on the 2" V strap as shown in **figure 6**.



## FOAM SEAT

### NOTICE

The foam seat included with these treestands is removable for storage. **DO NOT** leave your stand outdoors when it is not being used.

### NOTICE

The seat on the 180 and 180 Max is designed to be reversed. **DO NOT** reverse the seats on any other model of stand.



### FOAM SEAT (continued)

1. Position the seat inside of the seat climber frame.
2. Wrap the seat strap webbing over the frame from the inside out as shown in **figure 7**.
3. Turn the three bar slide slightly sideways and push it through the metal D buckle that is sewn onto the end of the strap (**figure 8**).

The 180 Max and Ultimate Viper have straps attached to the sides of the seat. Loop these over the arm rest bars and snap to secure.

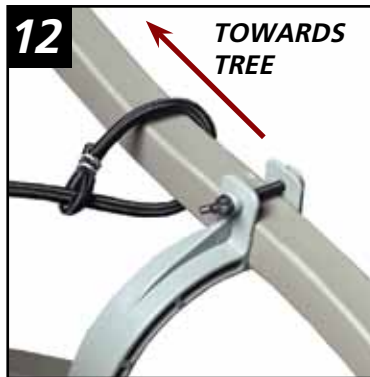
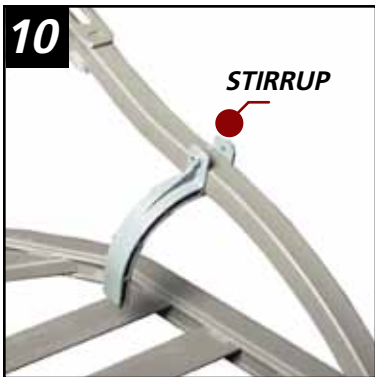
The 180 and 180 Max will have an additional strap directly in the middle of the backrest. Secure this strap around the front perimeter bar while the seat is facing the tree as shown in **figure 9**.



### RAPIDCLIMB STIRRUPS

1. Position the stirrup as shown in **figure 10**. The curved end of the stirrup should face down and in - toward the center of the platform.
2. Once positioned secure with the supplied bolt and wing nut as shown in **figure 11**. Occasional readjustment might be necessary as your footwear needs change. To adjust, simply loosen the wing nut and slide the stirrup up or down. It is not necessary to completely remove the nut to adjust the stirrup.
3. Wrap the supplied bungee cord around one side of the curved platform upright bars and push the S-hook through the loop as shown in **figure 12**. The bungee should always be attached **ABOVE** the stirrup on the tree side of the upright bars.
4. Pull the hook across the platform and loop it over the opposite upright bar. Hook it back over it self as shown in **figure 13**.

### BOLT AND WING NUT HAND TIGHTEN



## 5 ULTIMATE VIPER ACCESSORIES

- Included with the Ultimate Viper Only PN 81072

### DROP BLIND

1. Your drop blind may ship unfolded. To fold, lay the blind out on a flat surface. Start at the ends of the blind material and roll it up. Once it is completely rolled, tuck it into the pocket and secure with the long Velcro® strip that runs the entire length of the blind.
2. To attach: Fold the blind in half and find the center point. There should be two Velcro® loops sewn close to the center.
3. Loop this Velcro® loop straps over the stand frame in the middle of the front pad as shown in **figure 14**.
4. Work from the center back looping the straps over, securing them as you go.
5. To use: Start at the back and unhook the long, continuous Velcro® strap and let the blind drop around the stand. Let the blind drop to cover the stand.



DROP BLIND  
(PN 70280)

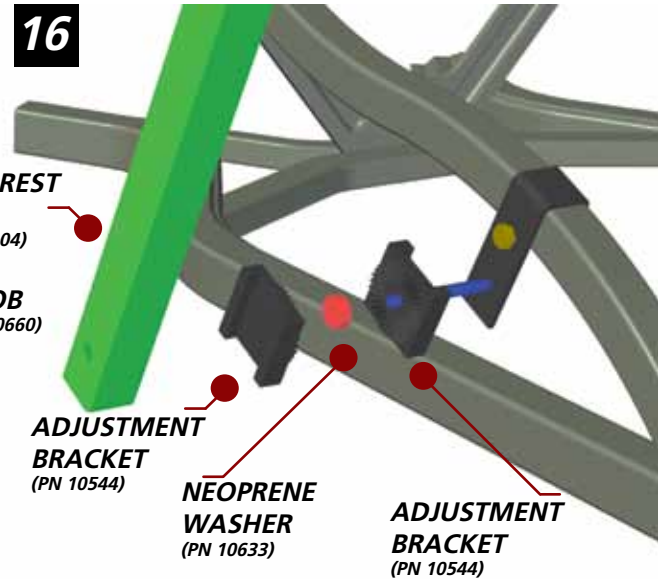
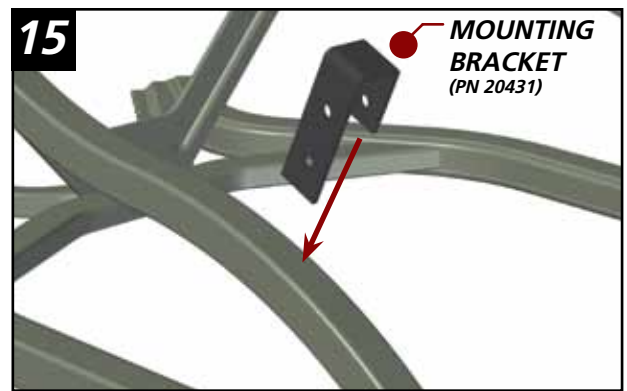
## GUN REST

### ⚠ WARNING

Never sit on this gun rest or attempt to use it as a climbing aid!

1. Position the Gun Rest Mounting Bracket as shown in **figure 15**. The bracket **MUST** be placed at least 3" up the arm to provide clearance for the platform when the stand is packed together. The long side of the bracket should be on the outside of the stand.
2. Secure the bracket using one 1 3/4" bolt and lock nut. The bolt **MUST** run from the outside in as shown in **figure 16 (bolt is in yellow)**. Repeat for the other side.
3. From the inside, position the 2 1/2" carriage bolt (shown in blue) inside the bracket. Over this bolt, slide one Gun Rest Adjustment Bracket, one Neoprene Washer (red), one more Gun Rest Adjustment Bracket and then the Gun Rest Bar (bright green). See **figure 16**.
4. Secure the bar with the supplied knob.
5. At the other bracket location, combine one Adjustment Bracket, a Neoprene washer and the last Adjustment Bracket. Slide this assembly between the Gun Rest tube and the Mounting Bracket lining up the bolt hole. Insert the carriage bolt through the entire assembly from the inside out. Secure with the knob.
6. Position the 18" Arm pad as shown in **figure 17**. Secure with two In-Line Cable Ties.

1 3/4" BOLT, LOCK NUT  
- WRENCH TIGHTEN



## COMFORT MAT

1. The supplied comfort mat has cutouts designed to fit the standard shape of the platform. Lay the mat between the platform arms as shown in **figure 18**.
2. Make a small (approximately 3/8" long) incision through the mat just behind the stand tubing at the locations shown in **figure 18**. Insert one In-Line Cable Tie through the mat and around the frame. Pull snug and trim the excess (**see figure 19**).
3. Use the remaining 3 In-line Cable ties to secure the mat at the remaining locations.





# 6 SETUP AND USE

## ATTACHMENT TO THE TREE

### ⚠ WARNING

Read and understand the harness usage instructions before attempting to climb! Be sure to maintain full body safety harness attachment to the tree at all times after leaving the ground.

1. Attach the base platform to the tree first. To do this, pull down and hold the QuickDraw cable spring as shown in **figure 20**. This will release the locking tab from the cable, allowing the cable to be pushed past the locking tab. Once the cable has been pushed past the locking tab, you can release the trigger.
2. Push the cable into the stand tubing until the cable stop can be lifted up out of the bracket. The cable should be loose at this point. You can now pull the cable out of the stand.
3. Take one end of the cable around the tree and begin to slide it down into the tubing as shown in **figure 21**. Once the cable slides easily into the tubing (it helps to bend the cable upward while pushing down on it as it is inserted), you are ready to place it in its final position.
4. Pull the cable towards the back of the tree and "seat" the cable stop against the back of the bracket, as shown in **figure 22**. The QuickDraw cable spring will "lock" into place behind one of the cable stops. You do not have to hold the QuickDraw trigger to lock the cable in place.
5. Your cable bracket should now look like **figure 23**.

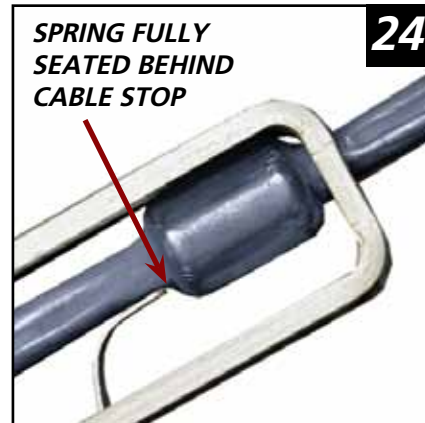
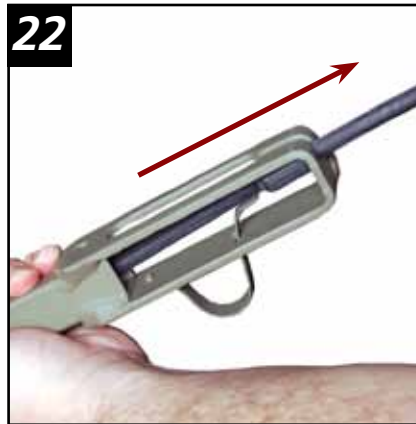
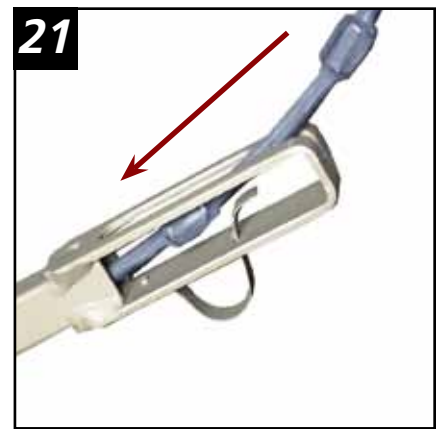
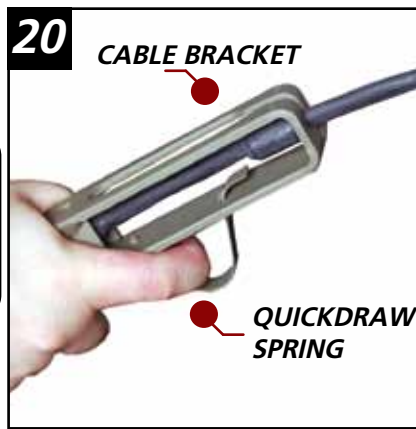
### ⚠ WARNING

If the QuickDraw cable spring does not lock into place behind the cable stop as shown in **figure 24**, **DO NOT USE THE TREESTAND** since the cable can release resulting in a user to fall! Contact summit to obtain the proper corrective action.

6. If necessary, go to the other side of the tree and position the other end of the cable by repeating the steps of pulling the QuickDraw cable spring, sliding the cable into the tubing, and assuring that the QuickDraw cable spring has locked into position.

### ⚠ WARNING

It is VERY IMPORTANT to inspect the cable on your climbing treestand to ensure that there is no sign of frayed, damaged or broken strands. **DO NOT USE THE CABLE IF IT HAS BROKEN OR DAMAGED METAL STRANDS!** Call immediately to order a replacement if this should occur.



### NOTICE

The sole purpose of the plastic coating on the cable is to eliminate noise. After some use you may notice some abrasions, peeling or possibly cuts in the coating. This coating does not affect the performance or safety of your treestand. It is there to eliminate unnecessary noise when sliding the cable down into the tubing.

## ATTACHMENT TO THE TREE (continued)

To ensure that your treestand is level at the height at which you will be hunting, observe the relative change in the tree diameter between the base of the tree and the final treestand height. It is very important to adjust the treestand base platform and seat at the base of the tree such that the treestand base platform will be level at the height you hunt. Trees commonly found in swamp or marsh areas have a tendency to swell at their base, and these may require a greater starting angle in order for your treestand to be level - as compared to a normally tapered tree.

7. Repeat Steps 1-6 for the Seat Climber portion of the Treestand.

## NOTICE

Based on usual taper - in order to ensure the platform and seat climber are level at hunting height, the front edge of the treestand (the edge away from the tree) should be 4-6 inches higher than the edge against the tree (*see figure 25*). The treestand seat climber attaches above the standing platform and should also have the same basic angle as the platform before you start to climb.

## UMBILICAL ROPE

### ⚠ WARNING

The seat climber and platform MUST BE attached to each other with the backpack strap / tether strap, as shown in *figure 26 and figure 29* before climbing.

The included umbilical rope attaches the seat climber to the platform. In the event that control of the platform is lost, the platform will only fall the length of the umbilical rope. This should allow you to retrieve the platform and re-seat it onto the tree. Umbilical rope length should be minimized so that the platform can be retrieved with your feet if it is hanging from the rope.

1. Loop the umbilical rope around the platform yolk **twice** and tie off with a double knot as shown in *figure 26*.
2. Loop the umbilical rope around the seat climber yolk **twice** and tie off with a double knot as shown in *figure 27*.
3. The platform should now be connected to the seat climber. You should only have to untie one knot to remove the rope for backpacking.



## CLIMBING WITH YOUR NEW STAND

### ⚠ WARNING

At this point IT IS MANDATORY AND REQUIRED that you attach your safety harness to the safety strap around the tree and remain connected at all times after leaving the ground.

**ALWAYS** refer to the written safety harness instructions for proper use of your safety harness.

1. Following the Harness Instructions, attach the harness tether to the safety strap. Loop the strap around the tree to secure it. See *figure 28*.
2. Your RapidClimb stirrups and bungee heel cord should be already attached to your treestand. To use, back your heel into the bungee heel cord (*figure 29*) then simply slide your boot under the RapidClimb stirrup. Make sure that your boot is secure under the stirrup as shown in *figure 30*.
3. On the Viper, Goliath and Titan hook the seat back elastic bungee cord around the seat as shown in *figure 31* to keep it secure while you climb.





### CLIMBING UP WITH YOUR NEW STAND (continued)

4. To begin climbing, raise your seat climber up to just below waist height and grasp the upright arms very firmly as shown in **figure 32**.

#### ⚠ WARNING

**DO NOT TIP YOUR WEIGHT ONTO YOUR TOES** unless you are ready to move the platform. This will tend to disengage the platform from the tree.

5. With all of your weight back on the padded bar, or in the seat on the 180 models, disengage the platform by lifting as shown in **figure 33**. Pulling up and slightly out on the platform while pointing your toes down should disconnect the platform from the tree.

6. Bring the platform up by bending your knees and raising your legs straight up. Take care not to snag the cable on tree bark or limbs.

7. To re-engage the platform, rotate the platform down until the teeth make contact with front of the tree and then rotate the platform down until the cable makes contact with the back of the tree as shown in **figure 34**.

The RapidClimb stirrups are located in such a position that equal distribution of weight will secure the platform to the tree while climbing.

8. Now ease your weight back onto the platform (to ensure that you have not placed it on an unseen knot or limb on the backside of the tree). Once the platform is secure, stand and slide your safety harness tether up the tree.

9. Once the platform is fully supporting your weight you can disengage the seat climber and raise it back up to just below waist height as shown again in **figure 32**. Repeat steps 4-9 until you are at your hunting height.

#### ⚠ WARNING

**DO NOT JUMP OR BOUNCE ON THE PLATFORM OR SEAT** to attempt to cause it to "dig" into the tree. It is not necessary and may cause you to inadvertently disengage the platform or seat.

#### ⚠ CAUTION

**DO NOT USE** the Viper, 180, 180 Max or Titan without a Viper, 180, 180 Max or Titan seat or other climber. **NEVER** attempt to climb without a seat climber. The climbers provided with these stands are designed to aid you in the correct operation of the treestand while climbing by keeping your weight away from the tree. The seat climber is also built so that it fits securely with the platform for carrying.





## USE

### ⚠ WARNING

**NEVER DISCONNECT FROM YOUR SAFETY HARNESS OR SAFETY LINE ONCE YOU LEAVE THE GROUND!!**

1. When you get to your hunting height (do not climb higher than 15 feet; it is unnecessary) and you have assured that your treestand is level, position your seat climber slightly below waist level. Slightly lower will be more comfortable but higher makes for less movement when you stand.
2. With your safety harness attached to the tree above the climber, pull your feet, one at a time, from their secured position under the RapidClimb stirrups.

### ⚠ WARNING

**ALWAYS position the safety harness to minimize the amount of slack in the safety line.**

3. Wrap the supplied green tourniquet buckle strap (1" green strap with spring loaded buckle) around the tree and through the seat frame as shown in **figure 35**. Securely tighten the strap to prevent the notched teeth area from losing contact with the tree.
4. Unhook the bungee cord that held the seat back rest secure while you were climbing. Position the seat back rest by wrapping each end of the bungee cord around the climbing cable and hooking the two hooks together as shown in **figure 36** or by wrapping it around the tree. The bungee cord will prevent the seat backrest from falling forwards if you stand up.
5. The treestand seat will provide maximum comfort when the seat pad is near horizontal rather than tipped down in the front. The seat height can be easily raised (for bow hunting) or lowered (for gun hunting) by adjusting the two piece buckles up or down the webbing.

### ⚠ CAUTION

Seat strap adjustments must be made on the ground.

Both seat sides must be adjusted evenly so the seat is level side to side. Sliding the webbing straps forward or backward on the frame provides additional comfort.



## CLIMBING DOWN

### ⚠ WARNING

**NEVER DISCONNECT FROM YOUR SAFETY HARNESS OR SAFETY LINE ONCE YOU LEAVE THE GROUND!!**

1. Reattach your treestand platform to your feet. Back your heel into the bungee heel cord (**figure 37**) then slide your boot under the RapidClimb stirrup. Make sure that your boot is secure under the stirrup as shown in **figure 38**.
2. Disconnect the elastic cord that has been holding the foam seat in place and fold the seat up. Secure the backrest and seat as shown in **figure 39**. Disconnect and store the strap that has held the seat frame to the tree (**figure 40**).
3. Place the seat climber at about knee level, sit on the padded bar (or in the seat on the 180 models), and grasp the upright arms as you did when climbing (see **figure 41**).
4. While firmly grasping the seat climber upright arms, disengage the platform by lifting up and tipping the edge closest to the tree downward. Once the platform has been dislodged, you can lower it down (see **figure 42**). Make slow, even movements of 10-12 inches at a time.
5. To re-engage, rotate the top edge of the treestand closest to the tree upwards. Now carefully place your weight back on the platform.

### ⚠ WARNING

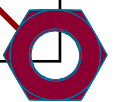
**DO NOT JUMP OR BOUNCE ON THE PLATFORM OR SEAT** to attempt to cause it to "dig" into the tree. It is not necessary and may cause you to inadvertently disengage the platform or seat.

6. Once the platform is secure, stand and slide your safety harness tether strap down to about chest height and **repeat steps 3-6** until you have reached the bottom of the tree.



Summit products are manufactured under one or more of the following US Patents: 5,937,969; 5,971,104; 5,975,242; 5,979,603; 6,125,966; 6,182,792; 6,397,973; D,417,011; D,420,147; D,575,411

Summit Bucksteps are Patent Pending





## BACKPACKING

Your treestand is designed to “nest” together as one unit making it easy to transport.

1. Untie the umbilical rope from the seat climber and wrap it around the platform yolk several times to secure it.
2. Start with the seat climber portion of the stand, set it on its end as shown in **figure 43**.
3. Take the platform and slide it into the seat climber so that its upright braces and cable bracket are next to the same areas on the seat climber as shown in **figure 44**.
4. The teeth area on the platform should come into contact with the “V” brace on the seat climber. From this position, pull the seat backrest through the large gap in the platform as shown in **figure 45**.
5. Secure the seat to the stand by running the seat bungee around the frame and clipping it off (**figure 46**)
6. The backpack straps will most likely be wedged in behind the seat at this point. Pull them out and around the seat webbing and push the seat as far down in the frame as possible (**see figure 47**).
7. Secure the top and platform together with the 1” wide green strap with the spring loaded tourniquet buckle as shown in **figure 48**. This will prevent seat the seat and the platform from making noise as you hike to your hunting location.
8. Use the backpack straps to carry the unit on your back as shown in **figure 49**. Pull the loose end of the straps to tighten and pull up on the buckle to release.

43



44



45



46



47



48



49



## 7 TIPS

With proper practice you can learn to level your platform without climbing down to re-position the cable. Pulling the cable against the backside of the tree while you are supporting the platform with your legs can do this. While the cable is against the tree, position the platform level and engage the front edge against the tree. This puts a slight bend in the cable while keeping the platform level. Only minor level adjustment, however, can be made using this technique. (The DVD shows this technique).

Sometimes on a cold, dry, hard bark tree a rubbing noise can be produced at the scalloped edge that engages the tree. This comes from friction forces. It can be eliminated a couple of ways. First, simply re-positioning your platform slightly will in most cases eliminate the noise. Second, a liquid or candle/bowstring wax can be applied at the intersection of the tree and the scalloped edge to reduce the friction. Also, using a file to remove the finish and slightly upset (roughen) the smooth metal surface contact points on the scallops can eliminate the noise.

Changing your sitting position can relieve muscle stress and reduce fatigue. This will allow a longer hunt and perhaps an opportunity for a shot. Although it must be done slowly and quietly, repositioning and changing the height of your seat by raising or lowering the seat frame just a couple of inches could make a difference. This changes the hip to knee angle. Moving the seat straps, again slowly and quietly, forward or backward on their support bar will alter the sitting position also. Being comfortable will result in no movement and reduce being detected by game either from sight or from sound.



## 8 MAINTENANCE AND CARE

The seat on this treestand is removable. We recommend it be removed and stored in a dry place when not in use.

The powdercoat finish applied at the factory is very durable and should only need touch ups in areas of heavy wear or accidental impact.

Should you damage any part of your Summit Treestand, contact your nearest authorized Summit dealer or the factory to obtain the proper corrective action procedure and/or replacement parts for the treestand.

### ⚠ CAUTION

Look for nicks, gouges, cuts, cracks, bends, corrosion or similar damage that can be the result of improper use or accidental damage. For instance, this could occur if someone else used the treestand without knowledge of its proper use, or if the treestand were dropped, hit by a motor vehicle or subject to corrosive conditions, etc.

Summit Treestands have the highest structural integrity by design, material selection and manufacturing techniques, but as its owner, only your continued care will assure trouble free performance. When the above-mentioned guidelines are followed, your Summit Treestand will provide years of successful hunting.

## 9 HARNESS SUSPENSION

It is necessary and very important that someone knows your hunting location and time of return. It is also very important that you carry (on your person) emergency communication devices such as a cell phone, two-way radio, whistle, signal flare or preferably a PLD (Personal Locator Device - FCC approved July, '03). When triggered, a PLD will transmit an emergency signal to local rescue teams identifying your location via satellite GPS coordinates. PLD's may be purchased at Wilderness outfitters or on the internet.

Suspension trauma or blood pooling can occur when suspended motionless in a harness for periods of time. This can lead to unconsciousness and death. A suspension relief strap is furnished with your harness. Read your harness instructions to assure that you know how to use it.

### ⚠ WARNING

If you have to hang in the tree before help arrives, you need to exercise your legs by pushing off from the tree or by using the enclosed suspension relief strap. See the treestand harness instructions and the enclosed instructions for more information.

Self extraction may be necessary in the unfortunate situation that (A) no one knows your location, (B) your communication efforts are exhausted, (C) you are confident that you have the strength, dexterity and ability to perform self-extraction and (D) you decide this is your "absolute last resort". It is recommended to carry a device to assist with this self-extraction. Simple devices such as screw-in steps or a rope "Tree Descender" (available from Summit) will allow you to remove the weight from your harness. This may enable you to return to the treestand/ladder/climbing steps or slowly descend the tree.

Several optional products/systems are available that offer self-recovery or self extraction from a fall when suspended in a harness. Returning to the ground obviously also relieves suspension trauma and some systems automatically descend the user while others allow user control. If one of these products/systems is selected for use as an additional safety precaution against prolonged suspension, be sure to follow the manufacturers' directions for safe use.

## 10 LIMITED WARRANTY

### (A) Warranty

Summit Treestands, LLC (Summit) warrants to the original retail purchaser that all products manufactured by it are free from defects in material and manufacture at the time of shipment for sixty (60) months from the date of purchase. Summit will repair or replace any part found defective if the unit claimed to be defective shall be returned to Summit, postage prepaid, within the warranty period.

This warranty shall not apply to any product which has been subjected to misuse; misapplication; neglect (including but not limited to improper maintenance); accident; improper installation; modification (including but not limited to use of unauthorized parts or attachments); adjustment or repair. THE FOREGOING IS IN LIEU OF ALL OTHER WARRANTIES, WHETHER EXPRESS OR IMPLIED (INCLUDING THOSE OF MERCHANTABILITY AND FITNESS OF ANY PRODUCT FOR A PARTICULAR PURPOSE), AND OF ANY OTHER OBLIGATION OF LIABILITY ON THE PART OF THE COMPANY.

### (B) Limitation of Liability

It is expressly understood that Summit's liability for its products, whether due to breach of warranty, negligence, strict liability, or otherwise, is limited to the repair of the product, as stated above, and Summit will not be liable for any other injury, loss, damage, or expense, whether direct or consequential, including but not limited to loss of use, income, profit, or damage to material, arising in connection with the sale, installation, use of, inability to use, or the repair or replacement of Summit's products.

Summit reserves the right to make alterations or modifications in its products at any time, which in its opinion, may improve the performance and efficiency of the product. It shall not be obligated to make such alterations or modifications to products already in service.

**Please take the time to fill out the warranty card online at <http://www.summitstands.com/warranty> or fill out and mail in the enclosed warranty card.**

© 2010 Summit Treestands, LLC  
715 Summit Dr. Decatur, AL 35601  
(256) 353-0634  
[info@summitstands.com](mailto:info@summitstands.com)