



Summit Classic Deluxe Tripod Top

PN 81518



WARNING

You must fully read, understand and follow these warnings and instructions (written and video)! Failure to follow these instructions may cause serious injury or death!!

You **MUST** also view the enclosed DVD **BEFORE** using your new tripod!!

WEIGHT LIMIT

**SINGLE USER
300 LBS. X 1 TOTAL***

DO NOT EXCEED THIS LIMIT!
(* Includes all gear)

- IT IS IMPORTANT TO NOTE THAT A FALL CAN OCCUR AT ANY TIME AFTER LEAVING THE GROUND.
- ALWAYS MAINTAIN THREE POINTS OF CONTACT WHEN YOU CLIMB THE LADDER SECTION OF THIS TRIPOD!
- READ AND UNDERSTAND ALL OF THE MANUFACTURER'S WARNINGS AND INSTRUCTIONS AND USE ALL SAFETY DEVICES PROVIDED. CONTACT SUMMIT TREESTANDS FOR ANY QUESTIONS. FAILURE TO DO SO COULD RESULT IN INJURY OR DEATH!
- A SIGNAL DEVICE SUCH A MOBILE PHONE, RADIO, WHISTLE, SIGNAL FLARE OR PERSONAL LOCATOR DEVICE (PLD) MUST BE ON YOUR PERSON AND READILY AVAILABLE AT ALL TIMES! ALWAYS INFORM SOMEONE OF YOUR HUNTING LOCATION, WHERE THE TRIPOD WILL BE LOCATED AND THE EXPECTED DURATION OF THE HUNT!
- DO NOT USE THIS TRIPOD UNLESS YOU ARE IN GOOD PHYSICAL SHAPE AND HAVE NO PHYSICAL LIMITATIONS OR MEDICAL CONDITIONS WHICH MAY PREVENT YOU FROM SAFELY USING THIS PRODUCT. ALWAYS CONSULT A PHYSICIAN IF YOU HAVE ANY QUESTIONS ABOUT YOUR PHYSICAL ABILITY TO USE THIS PRODUCT.
- NEVER USE THIS TRIPOD WHILE TAKING DRUGS, ALCOHOL OR CERTAIN PRESCRIPTION DRUGS! ALWAYS CONSULT A PHYSICIAN IF YOU HAVE ANY QUESTION ABOUT TAKING SPECIFIC MEDICATIONS AND USING THIS PRODUCT!
- NEVER USE THIS TRIPOD DURING INCLEMENT WEATHER SUCH AS RAIN, LIGHTNING, WINDSTORMS OR ICY CONDITIONS! END YOUR HUNT AND RETURN TO THE GROUND IF ANY OF THESE INCLEMENT CONDITIONS ARISE.
- NEVER USE THIS TRIPOD WHEN FEELING ILL, NAUSEOUS, DROWSY OR DIZZY!
- BE WELL RESTED AND NEVER HURRY. HURRYING CAUSES ACCIDENTS!
- CHECK EVERY COLUMN SECTION CONNECTION EVERY TIME YOU USE THE TRIPOD. IF ANY COLUMN SECTIONS ARE SEPARATING - DO NOT USE THE TRIPOD!
- ALWAYS USE THE SUPPLIED SPIKES TO SECURE THIS TRIPOD TO THE GROUND BEFORE USE - EVEN IF IT IS TO BE USED WITHOUT A LEG EXTENSION KIT!
- NEVER SETUP OR USE THIS TRIPOD AROUND POWER LINES, POWER TRANSFORMERS, SUBSTATIONS OR POWER GENERATORS!
- CHECK THE GROUND UNDER THE TRIPOD TO MAKE SURE IT IS FIRM AND LEVEL. SLOPING GROUND OR AN UNEVEN SURFACE (ONE COLUMN SECTION ON A ROCK FOR EXAMPLE) CAN CAUSE YOUR TRIPOD TO TILT OR SHIFT AS YOU CLIMB.
- PULL UP A BOW, BACKPACK, FIREARM OR OTHER EQUIPMENT ONLY AFTER BEING SECURE IN THE TRIPOD. FIREARMS MUST BE PULLED UP UNLOADED, CHAMBER OPEN AND MUZZLE DOWN!
- NEVER MODIFY YOUR TRIPOD IN ANY WAY BY MAKING REPAIRS, REPLACING PARTS, OR ALTERING ADDING OR ATTACHING ANYTHING TO IT EXCEPT IF EXPLICITLY AUTHORIZED IN WRITING BY THE MANUFACTURER!
- INSTRUCTIONS (WRITTEN AND VIDEO) SHOULD BE KEPT IN A SAFE PLACE AND REVIEWED AT LEAST ANNUALLY. IT IS THE RESPONSIBILITY OF THE TRIPOD OWNER TO FURNISH THE COMPLETE INSTRUCTIONS TO ANY PERSON WHO BORROWS OR PURCHASES THE TRIPOD! THIS SUMMIT TRIPOD IS DESIGNED TO BE USED AS A COMPLETE SYSTEM - NEVER LOAN OR SELL ONLY A PORTION OF THIS TRIPOD.
- BEFORE EACH USE OF YOUR SUMMIT TRIPOD, ALWAYS INSPECT THE TRIPOD FOR ANY DAMAGE, CRACKS, TEARS, WEAR OR ABRASION THAT MAY HAVE OCCURRED IN TRANSPORTING / STORING YOUR TREESTAND. DO NOT USE IF ANY DAMAGE IS FOUND! CONTACT CUSTOMER SERVICE FOR THE APPROPRIATE REPAIR / REPLACEMENT PROCEDURE!
- DO NOT LEAVE YOUR TRIPOD OUTDOORS WHEN IT IS NOT BEING USED! ANY STAND TUBING THAT IS ALLOWED TO FILL WITH RAINWATER AND FREEZE WILL RUPTURE OR BURST - DO NOT USE YOUR TRIPOD IF THIS OCCURS!
- ALWAYS USE FOUR PEOPLE TO SETUP THIS TRIPOD IF IT IS BEING USED WITH LEG KIT PN 81519 (12') OR PN 81521(16')

1 INDEX

GENERAL WARNINGS AND PRECAUTIONS, TRIPOD WEIGHT LIMITS	PG 1
SECTION 1 - INDEX	PG 2
SECTION 2 - PARTS LIST	PG 2
SECTION 3 - TOOLS REQUIRED	PG 2
SECTION 4 - ASSEMBLY	PG 3 - 7
SECTION 5 - SETUP AND USE	PG 7
SECTION 6 - MAINTENANCE AND CARE	PG 8
SECTION 7 - LIMITED WARRANTY INFORMATION	PG 8

2 PARTS LIST

BOX CONTENTS

PN	DESCRIPTION	QTY
14060.100	LEG BASE PLATE	1
14060.200	UPPER LADDER ASSEMBLY	1
14060.300	UPPER LEG	2
14060.400	REAR PLATFORM SECTION	1
14060.500	FRONT RIGHT PLATFORM SECTION	1
14060.600	FRONT LEFT PLATFORM SECTION	1
14060.700	PLATFORM SUPPORT TUBE	3
14060.800	SHOOTING RAIL SUPPORT	4
14060.900	SUPPORT TUBE CLAMPS	6
14060.1000	SHOOTING RAIL CONNECTOR	2
14060.1100	SIDE SHOOTING RAIL BAR	2
14060.1200	STAKES	3
14060.1300	SEAT SWIVEL	1
14060.1400	FOLDING SEAT BASE	1
14060.1400	FOLDING SEAT BACK	1
14060.1500	HARDWARE KIT	1
14060.1600	INSTRUCTION BOOKLET	1
14060.1700	INSTRUCTIONAL DVD	1



Please call 256-353-0634 or visit <http://www.summitstands.com/contactus/> if you have any questions, if you need replacement parts, if you have any missing parts or if the included DVD does not play.

14060.1500 - HARDWARE PACKET

Throughout these instructions, bolts listed in **RED** are 5/16" thread. Bolts listed in **BLUE** are 1/4" thread.

PN	DESCRIPTION	QTY
10615	1 3/4" BOLT, 5/16x18	3
10610	2 3/4" BOLT, 5/16x18	14
10684	3 3/4" BOLT, 5/16x18	3
10617	LOCK NUT, 5/16x18	20
10624	1" BOLT, 1/4x20	8
10606	2" BOLT, 1/4x20	2
10642	1/4" NYLON SPACER	4
10612	LOCK NUT, 1/4x20	6
10625	WASHER	12

3 TOOLS REQUIRED

Tools

- 7/16" Wrenches and / or Socket / Ratchet
- 1/2" Wrenches and / or Socket / Ratchet

- Assembly can be made easier by the use of a powered ratchet or drill with socket adapter (take care not to overtighten when using power tools to assemble)

- It is recommended that all bolts be sorted by thread count / length prior to assembly.

Use

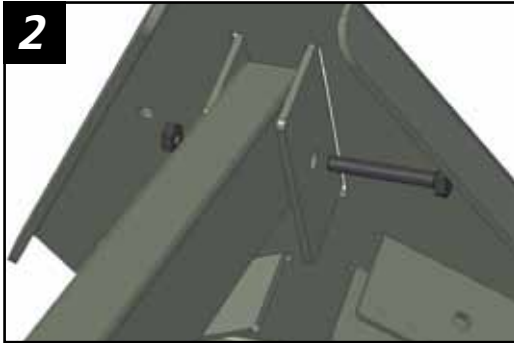
Seat / Swivel Bolts / Nuts - 1/4x20 hardware
Main Tripod / Nuts - 5/16x18 hardware

4 ASSEMBLY

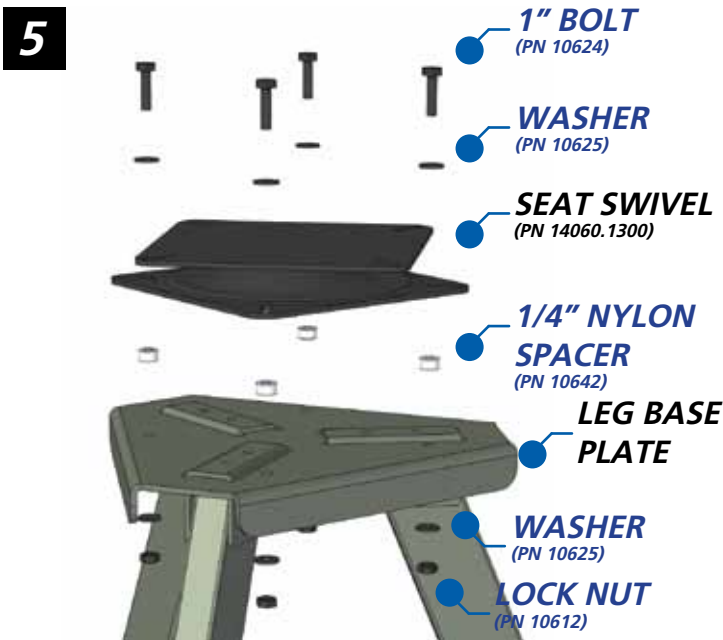
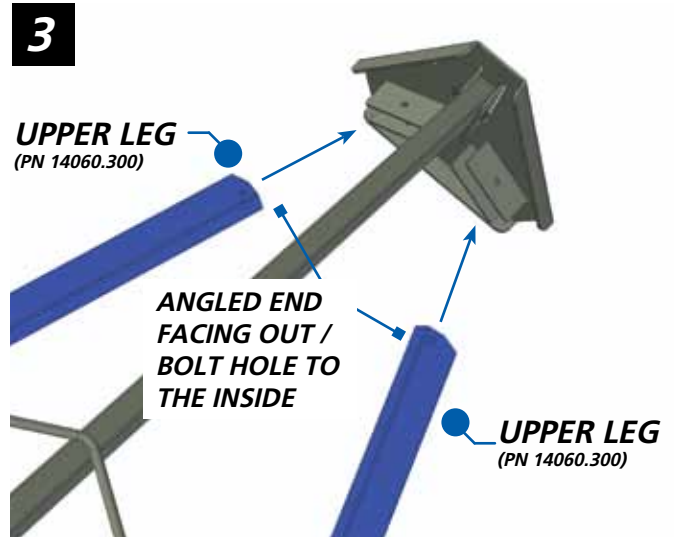
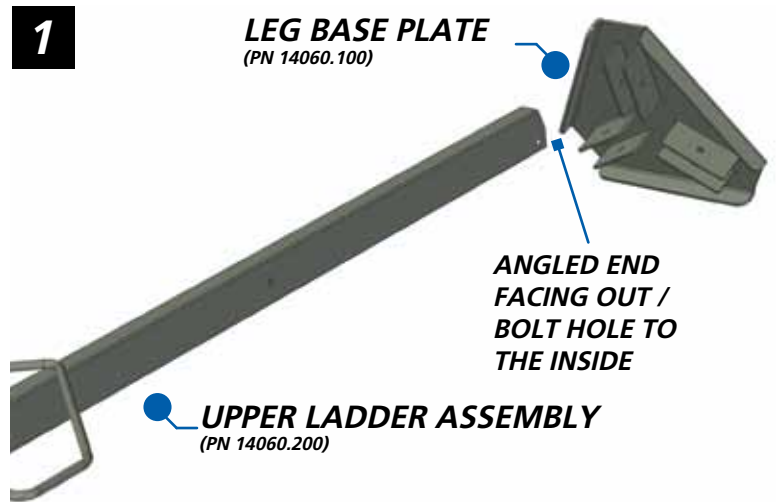
BASE PLATE

1. Position the Leg Base Plate and the Upper Ladder Assembly as shown in **figure 1**. Notice that the angled end of the Ladder Assembly and the rungs face out.
2. Slide the Ladder Assembly into the Base Plate and use one **1 3/4" bolt and lock nut** to secure as shown in **figure 2**.
3. Position the two Upper Legs as shown in **figure 3**. Slide these legs into the Base Plate and secure with one **1 3/4" bolt and lock nut** per Leg (**see figure 4**).

1 3/4" BOLT, LOCK NUT - WRENCH TIGHTEN

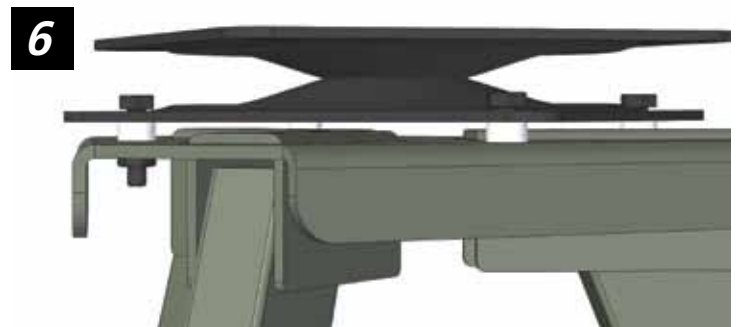


1 3/4" BOLTS, LOCK NUTS - WRENCH TIGHTEN



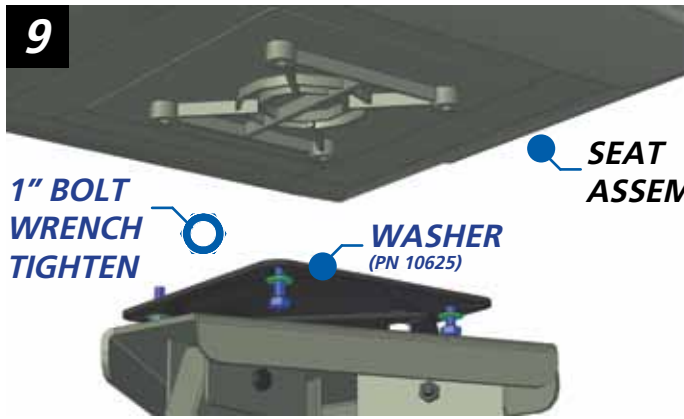
SEAT SWIVEL

1. The Seat Swivel bolts to the Leg Base Plate from the top. Pivot the swivel so that you have access to the bolt holes.
2. Line up the pivot with the 4 pre-punched holes in the Leg Base Plate.
3. The correct order for attaching the swivel is: **1" Bolt, washer, Swivel Plate, 1/4" Nylon Spacer, Leg Base Plate, washer, Lock Nut**. **See figure 5 and 6**. Leave all bolts hand tight until they are started and then wrench tighten. All hardware for the Seat Swivel will be **1/4x20** thread.



SEAT ASSEMBLY

1. Line up the Seat Backrest with the Seat Base as shown in **figure 7**. (seat may differ in appearance)
2. Use two, 2" bolts and lock nuts to secure the Seat Backrest to the Seat Base as shown in **figure 8**. Run these bolts from the inside out and do not overtighten as this connection is designed to pivot.
3. Position the assembled Seat above the Seat Swivel as shown in **figure 9**. Bolt the Seat to the Swivel using four, 1" bolts with washers (**shown in blue, figure 9**).



PLATFORM ASSEMBLY

1. Carefully stand the Leg / Seat Assembly up. Position the Front Left Platform Section as shown in **figure 10**. The expanded metal should face up. Line up the holes in it and the two legs.
2. From under the Assembly, insert two 3 3/4" bolts through the tube and into the legs as shown in **figure 11**. You may need a helper to hold the platform section in place while it is bolted together.



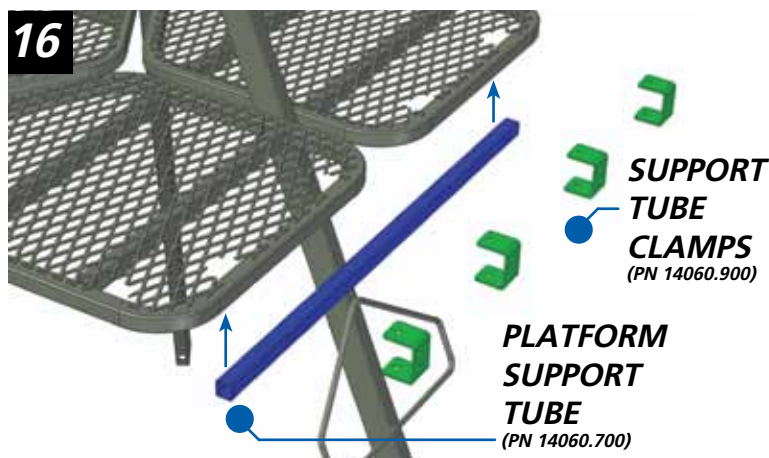
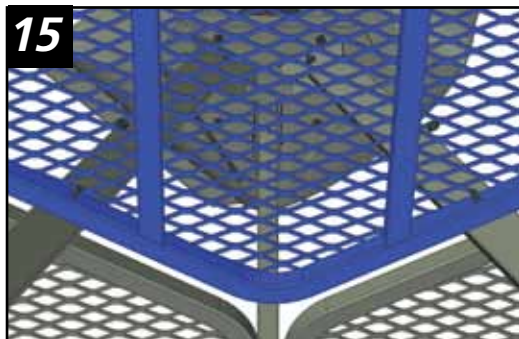
3. Position the Front Right Platform Section as shown in **figure 12**. The expanded metal should face up. Slide the Platform Section over the bolt (**from Step 2**) and line up the other hole.
4. From under the assembly, use a lock nut on the bolt already protruding from the tube. Leave this hand tight for now. Insert a 3 3/4" bolt through the other hole as shown in **figure 13**.



PLATFORM ASSEMBLY (continued)

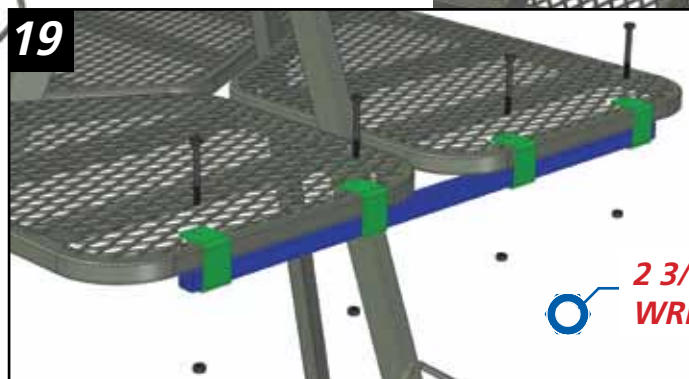
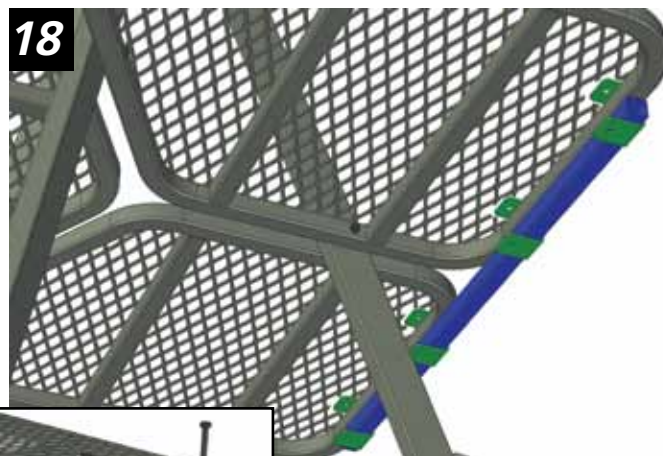
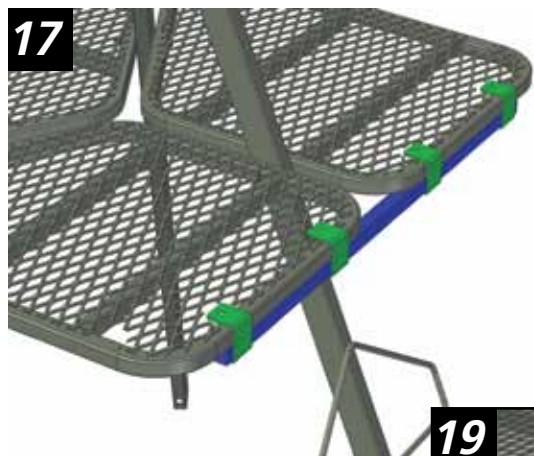
5. Position the Rear Platform Section as shown in **figure 14**. The expanded metal should face up. Slide the Platform Section over both bolts inserted previously.
6. Secure using two **lock nuts** (see **figure 16**).
7. Go back and wrench tighten the bolt from **Step 4**. As you tighten the bolts, the platform sections will pull together.

**LOCK NUT -
WRENCH TIGHTEN**



PLATFORM SUPPORT

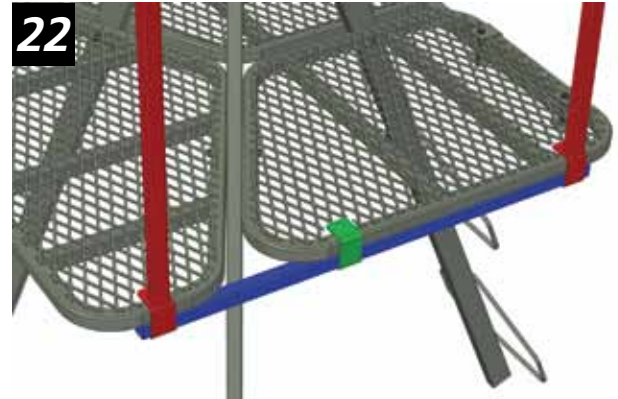
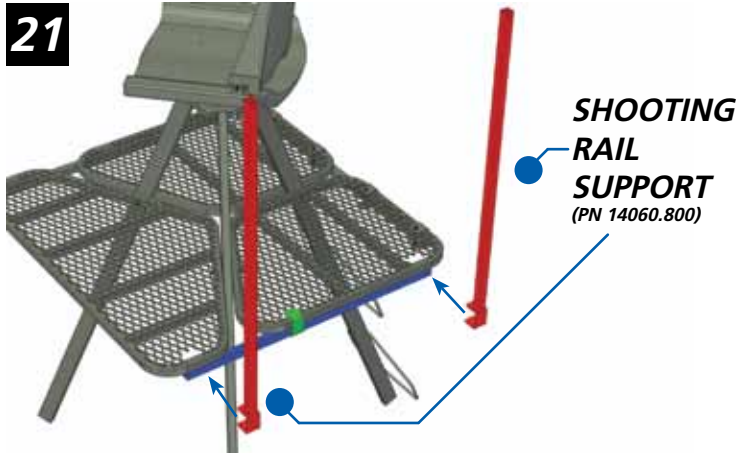
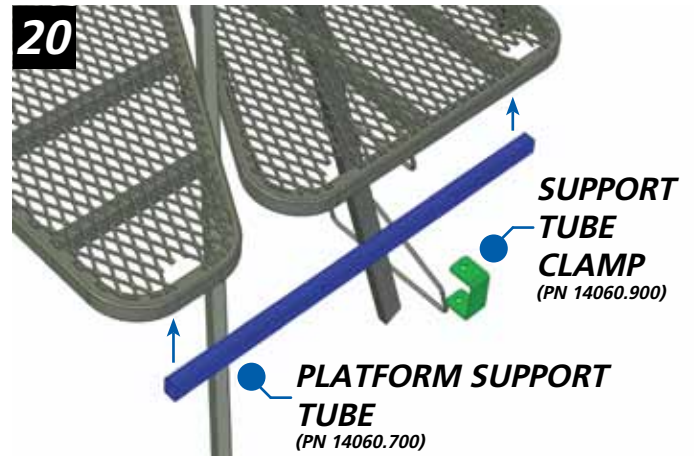
1. Position one of the Platform Support Tubes under the edge of the platform and four of the Support Tube Clamps as shown in **figure 16**.
2. Slide the Clamps on as shown in **figure 17**. There are notches cut out of the expanded metal that allow these Clamps to slide all the way onto the platform. The Clamps should slide all the way over the Platform tubing and the Support Tube as shown in **figure 18**.
3. Use four, **2 3/4" bolts and lock nuts** to secure the Support Tube as shown in **figure 19**.



**2 3/4" BOLTS, LOCK NUT -
WRENCH TIGHTEN**

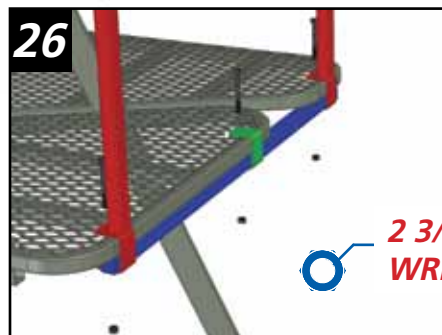
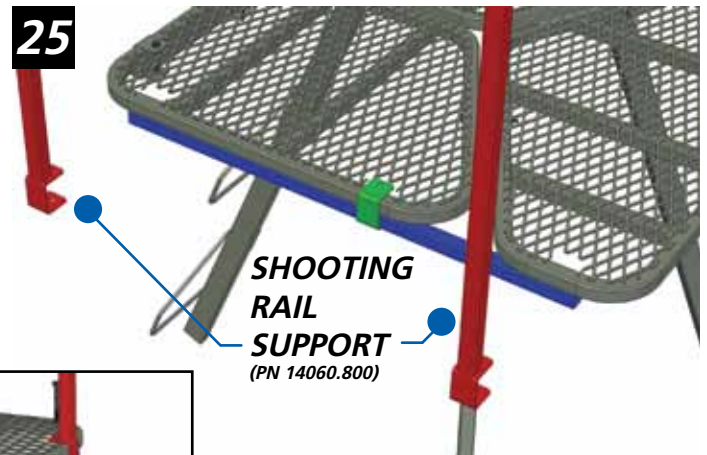
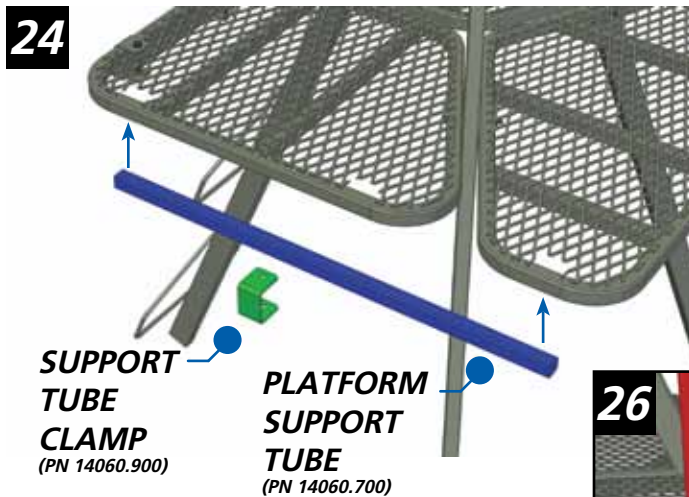
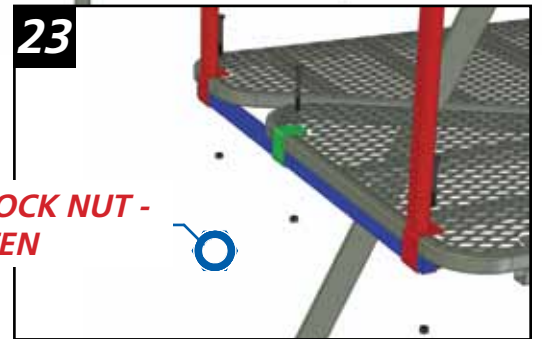
PLATFORM SUPPORT (continued)

4. Position one of the Platform Support Tubes under the edge of the platform and one Support Tube Clamp as shown in **figure 20**.
5. Slide the Clamp over the Platform Tube as shown in **figure 21**. There are notches cut out of the expanded metal that allow the Clamp to slide all the way onto the platform.
6. Position two of the Shooting Rail Supports as shown in **figure 21**. Slide these over the Platform and Platform Support tubes as shown in **figure 22**.
7. Use three, **2 3/4" bolts and lock nuts** to secure the Support Tube as shown in **figure 23**.



PLATFORM SUPPORT (continued)

8. Position the remaining Platform Support Tube under the edge of the platform and the remaining Support Tube Clamp as shown in **figure 24**.
9. Slide the Clamp on as shown in **figure 25**.
10. Position two of the Shooting Rail Supports as shown in **figure 25**. Slide these over the Platform and Platform Support tubes and use three, **2 3/4" bolts and lock nuts** to secure the Clamp and Support Tubes as shown in **figure 26**.



SHOOTING RAIL

1. Carefully lay the Platform / Seat assembly on its side.

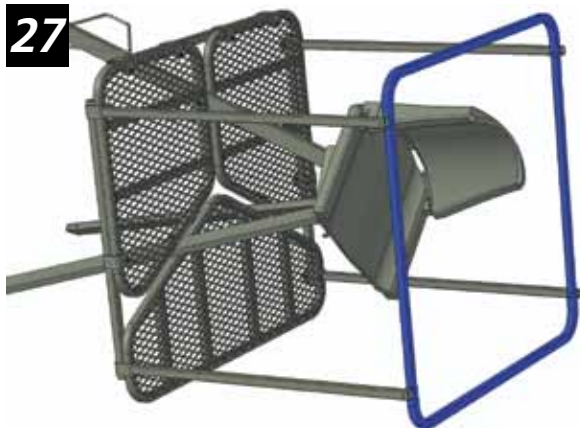
⚠ WARNING

Do not attempt to attach the Shooting Rail by climbing onto the platform unless it is properly staked to the ground following the steps below.

2. Line up the two Side Shooting Rail Bars with the Shooting Rail Connectors as shown in **figure 26**.

3. Slide the smaller Side Bars into the Connectors and line up the holes. Position this assembly as shown in **figure 27**.

4. Secure using one, **2 3/4" bolt and lock nut** at each joint with the four shooting rail supports. **See figure 28**.



**2 3/4" BOLT, LOCK NUT -
WRENCH TIGHTEN**

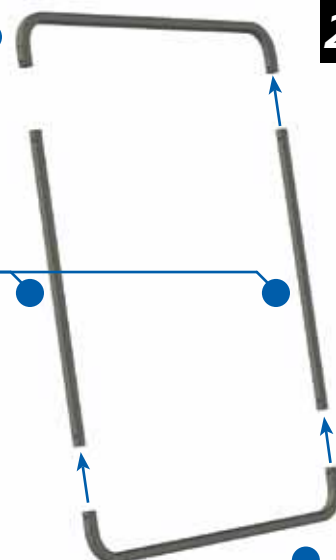


**SHOOTING
RAIL
CONNECTOR**
(PN 14060.1000)

**SIDE
SHOOTING
RAIL BAR**
(PN 14060.1100)

**SHOOTING
RAIL
CONNECTOR**
(PN 14060.1000)

26

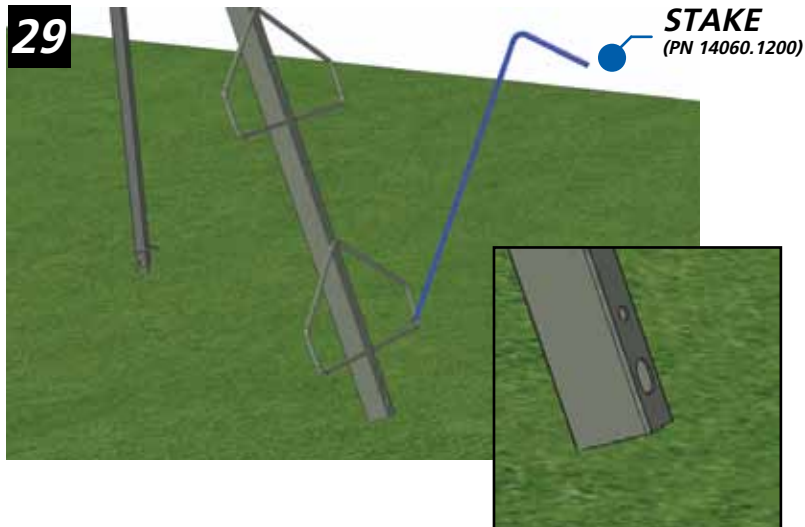


5 SETUP AND USE

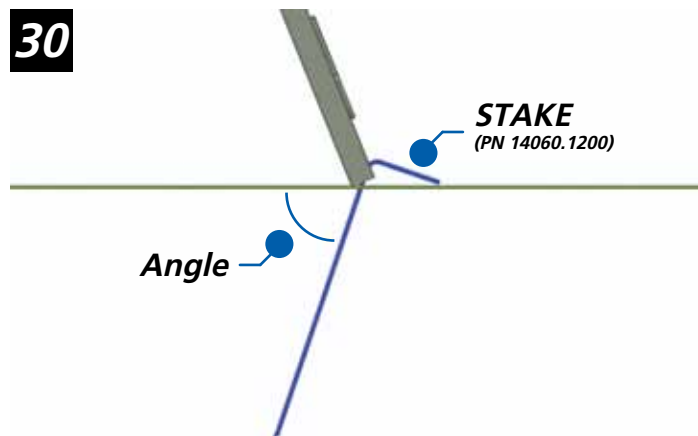
⚠ WARNING

Always use the supplied stakes to secure this tripod to the ground before use - **EVEN IF THE TRIPOD WILL BE USED WITHOUT A LEG EXTENSION KIT**. Failure to secure the tripod may result in instability.

1. Find a suitable area to setup the Tripod. Check the ground under the tripod to make sure it is firm and level. Sloping ground or an uneven surface (one leg section on a rock for example) can cause your tripod to tilt or shift as you climb.
2. Insert the stake through the oval shaped hole at the bottom of each leg as shown in **figure 29**.
3. Push or hammer each spike completely into the ground at angle as shown in **figure 30**.
4. Repeat for the other two stakes.



30



⚠ WARNING

Always maintain three points of contact when climbing the ladder portion of this tripod stand.

⚠ WARNING

Stakes must be driven completely into the ground at an angle toward the center of the tripod as shown in **figure 29 and 30**.

6 MAINTENANCE AND CARE

The seat on this ladder stand is removable. We recommend it be removed and stored in a dry place when not in use.

The powdercoat finish applied at the factory is very durable and should only need touch ups in areas of heavy wear or accidental impact. The powder coat is applied only to the exterior surfaces of the treestand so it is possible for some surface rust to form inside the stand tubing. This is normal and should not affect the durability or performance of the stand. **This stand is made from Steel and as a result, rust may develop on any uncoated part of the stand** - including any area that has been nicked or scratched to the bare metal.

Should you damage any part of your Summit Treestand, contact your nearest authorized Summit dealer or the factory to obtain the proper corrective action procedure and/or replacement parts for the treestand.

⚠ CAUTION

Look for nicks, gouges, cuts, cracks, bends, corrosion or similar damage that can be the result of improper use or accidental damage. For instance, this could occur if someone else used the treestand without knowledge of its proper use, or if the treestand were dropped, hit by a motor vehicle or subject to corrosive conditions, etc.

Summit Treestands have the highest structural integrity by design, material selection and manufacturing techniques, but as its owner, only your continued care will assure trouble free performance. When the above-mentioned guidelines are followed, your Summit Treestand will provide years of successful hunting.

7 LIMITED WARRANTY

(A) Warranty

Summit Treestands, LLC (Summit) warrants to the original retail purchaser that all products manufactured by it are free from defects in material and manufacture at the time of shipment for sixty (60) months from the date of purchase. Summit will repair or replace any part found defective if the unit claimed to be defective shall be returned to Summit, postage prepaid, within the warranty period.

This warranty shall not apply to any product which has been subjected to misuse; misapplication; neglect (including but not limited to improper maintenance); accident; improper installation; modification (including but not limited to use of unauthorized parts or attachments); adjustment or repair. THE FOREGOING IS IN LIEU OF ALL OTHER WARRANTIES, WHETHER EXPRESS OR IMPLIED (INCLUDING THOSE OF MERCHANTABILITY AND FITNESS OF ANY PRODUCT FOR A PARTICULAR PURPOSE), AND OF ANY OTHER OBLIGATION OF LIABILITY ON THE PART OF THE COMPANY.

(B) Limitation of Liability

It is expressly understood that Summit's liability for its products, whether due to breach of warranty, negligence, strict liability, or otherwise, is limited to the repair of the product, as stated above, and Summit will not be liable for any other injury, loss, damage, or expense, whether direct or consequential, including but not limited to loss of use, income, profit, or damage to material, arising in connection with the sale, installation, use of, inability to use, or the repair or replacement of Summit's products.

Summit reserves the right to make alterations or modifications in its products at any time, which in its opinion, may improve the performance and efficiency of the product. It shall not be obligated to make such alterations or modifications to products already in service.

Please take the time to fill out the warranty card online at <http://www.summitstands.com/warranty> or fill out and mail in the enclosed warranty card.

www.summitstands.com
www.mysummitgear.com

Summit products are manufactured under one or more of the following US Patents: 5,937,969; 5,971,104; 5,975,242; 5,979,603; 6,125,966; 6,182,792; 6,397,973; D,417,011; D,420,147; D,575,411

Summit Bucksteps are Patent Pending

© 2010 Summit Treestands, LLC
715 Summit Dr. Decatur, AL 35601
(256) 353-0634
info@summitstands.com

