



Instructions for Easy Timer Kit

THANK YOU for your purchase of the **Easy Timer Kit**, a top quality Moultrie product. Please read both sides of this sheet before operating this unit. If you should have any questions about this or any other Moultrie product, please contact us using the information on the reverse side.

To help us to better serve you, please complete and mail the enclosed Warranty Card.

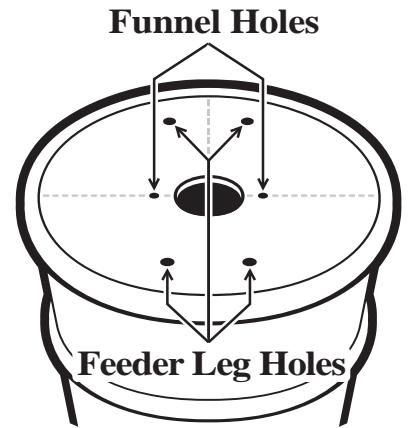
I DRILLING YOUR DRUM/BARREL/BUCKET

NOTE: If you purchased a Moultrie Drum, go to **II**

Easy Timer Kit will mount to the bottom of any drum or bucket.

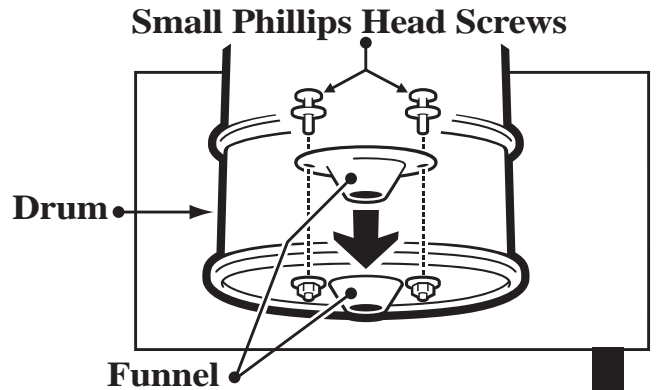


- 1** Turn drum over, measure and mark the center of the bottom.
- 2** Center the template on the bottom of the drum and secure with tape. Drill two 3/16" **Funnel holes** and four 7/16" **Feeder Leg Holes**.
- 3** Using a Hole Saw, drill a 2-1/4" hole in the center of the bottom of your drum.

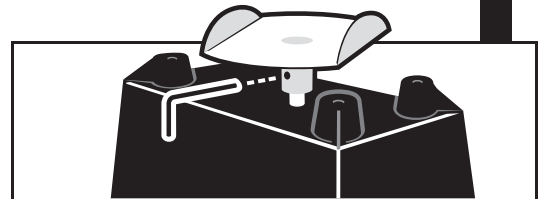


II MOUNTING THE FEEDER

- 1** Place **Funnel** inside **Drum** with small end facing down. Attach with two **Small Phillip Head Screws** using provided nuts and washers.

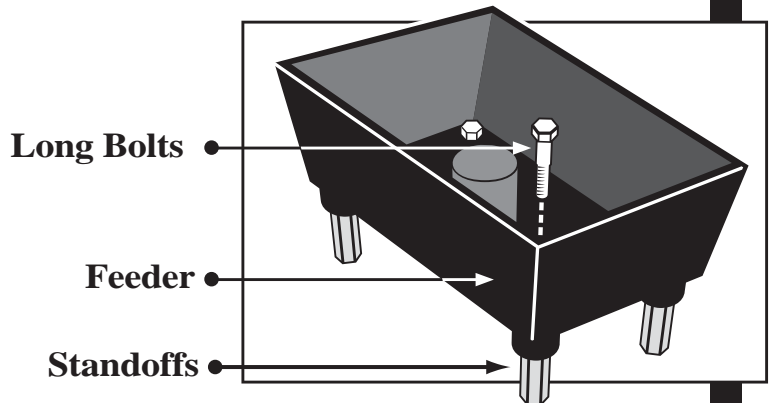
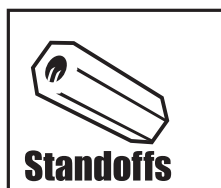
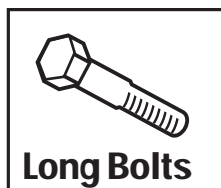


- 2** Securely attach the **Spin Plate** to the **Motor Shaft** using **Allen Wrench** provided. *Make sure Set Screw contacts flat side of shaft.*



- 3** Attach **Standoffs** to **Feeder** using **Long Bolts**.

At this point in assembly, attach Long Bolts finger-tight only.

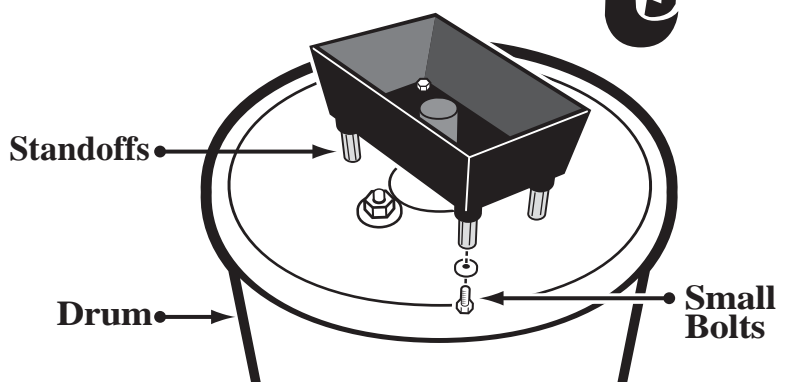
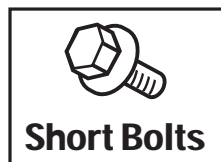


- 4** Turn **Drum** upside down.

Turn Drum upside down

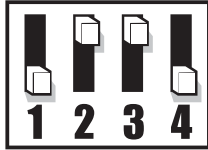
- 5** Attach **Feeder** to **Drum** using **Short Bolts** and washers. Tighten and secure all Bolts.

Note that washers are used inside drum only.



III PROGRAMMING THE FEEDER

1 Locate the **Switch Panel** inside Feeder.



2 Choose amount of feed desired in pounds (lbs.) and set **Switch Panel** according to chart at right. Amount of feed is approximate and will vary based on feed type.

NOTE: The Easy Timer Feeder Kit is programmed to feed 2 times per day; once shortly after daybreak and again shortly before dark.

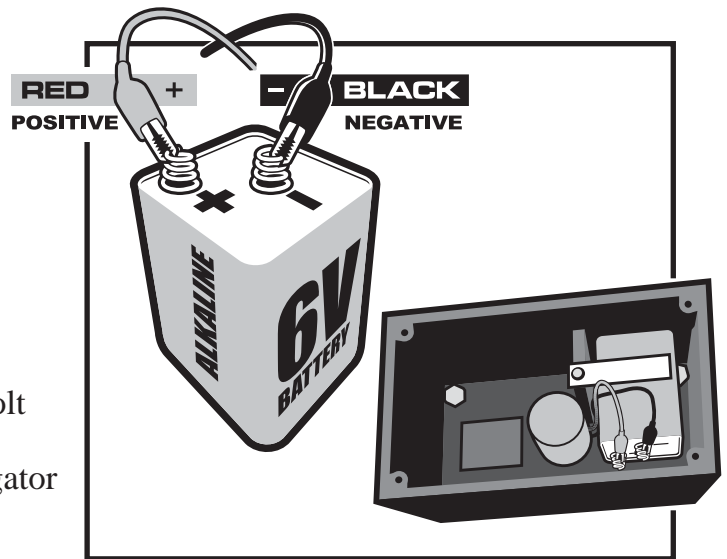
	= 4 Seconds	DISPENSES APPROX.	.75 Pounds of Feed
	= 6 Seconds	DISPENSES APPROX.	1 Pound of Feed
	= 8 Seconds	DISPENSES APPROX.	1.5 Pounds of Feed
	= 10 Seconds	DISPENSES APPROX.	2 Pounds of Feed
	= 12 Seconds	DISPENSES APPROX.	2.5 Pounds of Feed
	= 14 Seconds	DISPENSES APPROX.	3 Pounds of Feed
	= 16 Seconds	DISPENSES APPROX.	3.5 Pounds of Feed
	= 18 Seconds	DISPENSES APPROX.	4 Pounds of Feed

IV INSTALLING BATTERY & OPERATING FEEDER

CAUTION: WEAR EYE PROTECTION

FEEDER WILL SPIN UPON CONNECTION OF BATTERY AND WILL SPIN AGAIN WHEN THERE ARE CHANGES IN LIGHT LEVEL! Feeder will then be disabled for 7 hours to prevent accidental feedings due to cloud cover or lightning.

Loosen battery bracket screw and install a 6-Volt Alkaline (ex. Energizer™) or Moultrie rechargeable battery by attaching the Red Alligator Clip to the positive (+) and the Black Alligator Clip to the negative (-) terminal.



TIPS & POINTERS

1: (Q) When should I fill the drum on my feeder? (A) To prevent damage to the feeder kit, do not load drum until unit is off the ground.

2: (Q) I have a hanging feeder. What should I hang it with and how high should I hang it? (A) Some animals will chew through products like rope, so chain or steel cable is best. The bottom of the feeder should be about 7 feet from the ground.

3: (Q) What kind of feed should I use? (A) Whole kernel corn is recommended. Whole kernel corn mixed with soybeans or pellets is also effective for attracting deer. **NOTE: When not mixed with corn, some pellet type feeds can take on moisture and clog the feeder.**

4: (Q) How long should I set the feeder to run? (A) Many customers find that 4 or 5 seconds is long enough to establish a feeding pattern.

5: (Q) Some of the feed in the bottom of my drum never seems to move, and may be getting moldy. Any solution? (A) For 30 and 55 gallon barrels, Moultrie has developed internal funnels to solve this problem. The part numbers are **MFH-FUN30** for a 30-gallon drum and **MFH-FUN55** for a 55-gallon drum.

6: (Q) Why didn't the feeder run at dusk even though I set it out in the afternoon? (A) If you set your feeder up less than 7 hours before dusk, the first cycle will run at dawn.

7: (Q) What should I do if my feeder isn't working? (A) Check the battery first by changing to a known good battery. If a problem still exists, call **Moultrie Customer Service** at the number below.

8: (Q) What type of battery should I use? (A) For best performance, use a rechargeable 6-Volt, 5 Amp Moultrie brand battery. If disposable batteries will be used in your unit, Energizer™ alkaline batteries are required for proper operation.

9: (Q) Can I get replacement parts for my feeder? (A) Yes, you may purchase the following **Moultrie** replacement parts.

- Easy Timer Hardware PackageMFH-81531
- Easy Timer MotorMFH-81693
- Metal Funnel and Spin Plate KitMFH-ASPF
- 6V Rechargeable BatteryMFH-RB6
- 6V Battery ChargerMFH-BC6

There are no other user-replaceable parts. If you have further questions, please call **Moultrie Customer Service** at the number below.



Our Service Department will gladly answer any questions you have. Call 205-664-6700 Monday – Friday, 8:00 AM to 5:00 PM CST. www.moultriefeders.com



Instructions for 30 Gallon Leg Bracket and Pole Kit

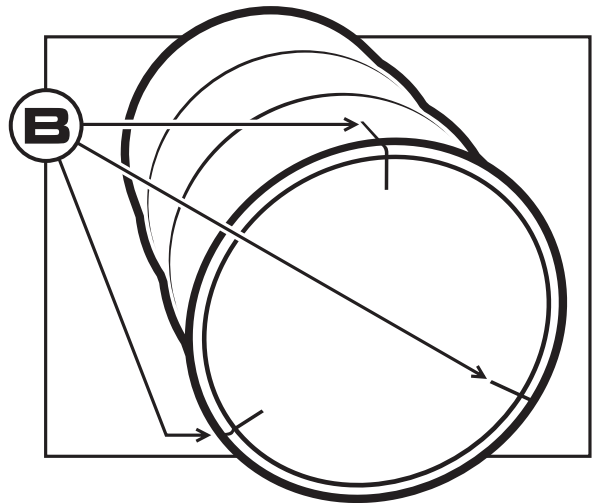
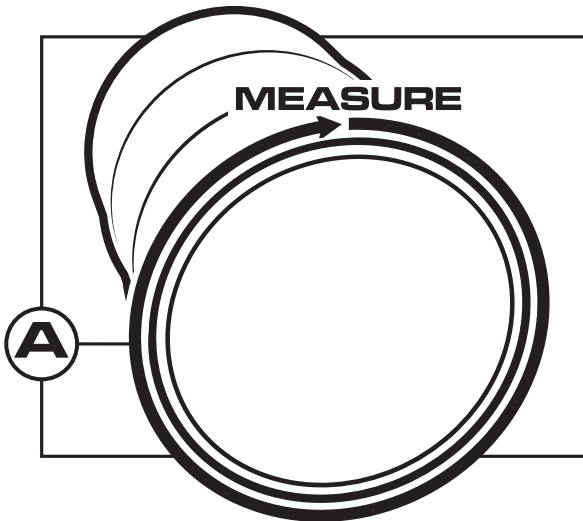
THANK YOU for your purchase of the **Leg Bracket and Pole Kit**, a top quality Moultrie product. Please read this sheet before assembling the unit. If you should have any questions about this or any other Moultrie product, please contact us using the information at the bottom of the page. To help us to better serve you, please complete and mail the enclosed Warranty Card.

I MEASURE, MARK AND DRILL HOLES

NOTE: If you purchased a Moultrie Drum, go to II

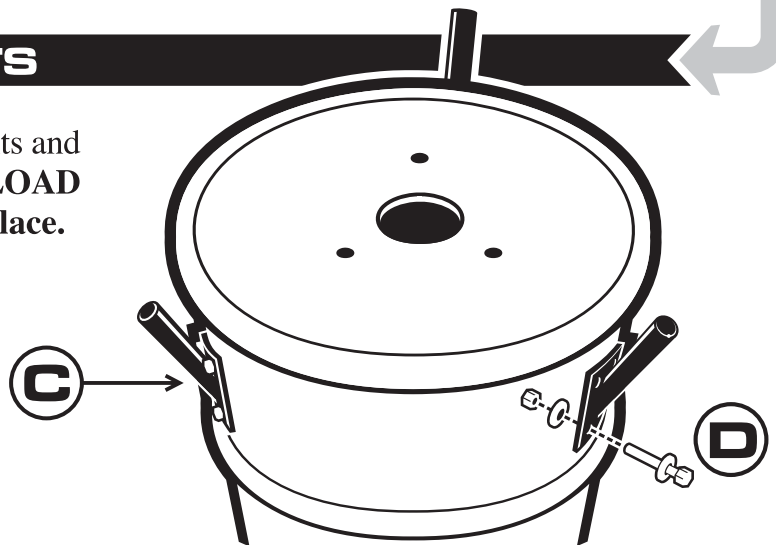
NOTE: A STEEL DRUM IS RECOMMENDED

- 1 Measure the distance **(A)** around the bottom of the **Drum**. Divide that distance by 3, marking the drum in those 3 locations **(B)**. Using a marker or pencil, mark the centerline locations for all three **Leg Brackets**.
- 2 Using your 3 marks as centerlines, position **Leg Brackets** on the side of the **Drum** (as shown in **(C)**, below). Mark and drill 4 holes per bracket using a 3/8" drill bit.



II INSTALL LEG BRACKETS

Bolt **Leg Brackets** to **Drum** using nuts, bolts and washers provided **(D)**. **NOTE: DO NOT LOAD FEEDER** until it is standing up and in place.



III ASSEMBLE POLES & STAND FEEDER UP

Using four **Poles** per leg, install the poles inside each of the **Leg Brackets**. With the **Drum** on the side and two **Poles** against the ground, carefully stand up Feeder assembly. To prevent tipping, the Feeder must be placed on a level location.



DO NOT EXCEED 250 POUNDS OF FEED



Our Service Department will gladly answer any questions you have.
Call 205-664-6700 Monday – Friday, 8:00 AM to 5:00 PM CST.
www.moultriefeeders.com