

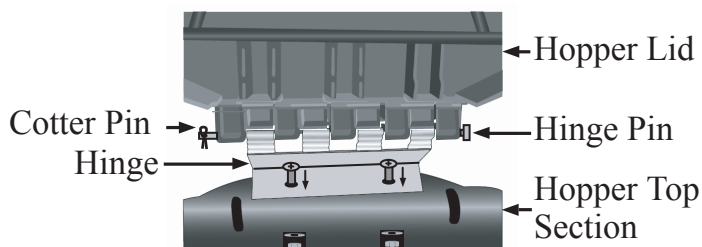
Instructions for 30 Gallon Programmable Tripod

THANK YOU for your purchase of the 30 gallon Programmable Tripod, a top quality Moultrie product. Please read this sheet before assembling the unit. If you should have any questions about this or any other Moultrie product, please contact us using the information on the reverse side of this sheet. To help us to better serve you, please complete and mail the enclosed Warranty Card.

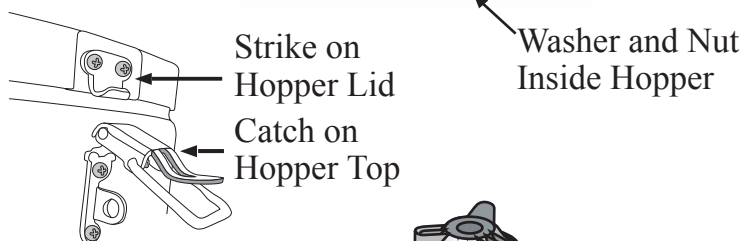


I ASSEMBLING HOPPER

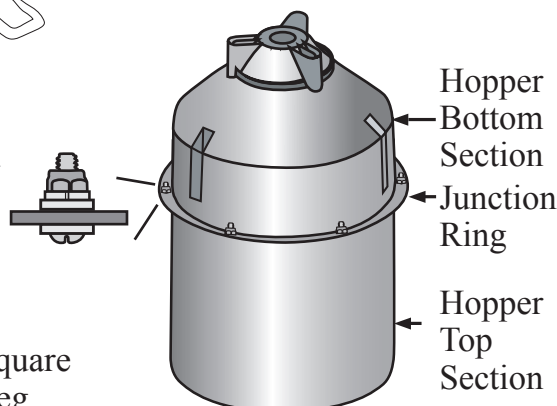
1 Attach provided **Hinge** to **Hopper Top Section** using two 1" long bolts. Inside the **Hopper**, place a washer and lock-nut on each screw. Place **Hopper Lid** on **Hopper Top** and thread **Hinge Pin** through hole. Slide **Cotter Pin** through hole in **Hinge Pin** and spread legs as shown.



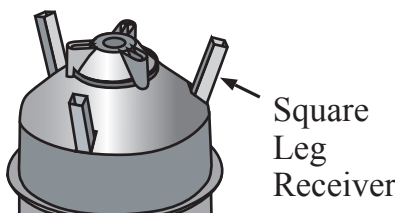
2 Attach the **Strike** to the **Hopper Lid** and **Catch** to the **Hopper Top** using four provided 1/2" long screws as shown. Inside the **Hopper**, place a washer and lock-nut on each screw.



3 Place **Hopper Bottom Section** on **Hopper Top Section** as shown. For each of the nine holes, insert provided 1" long bolt through a washer, the **Hopper Junction Ring**, another washer, lock-washer, and into the nut as shown. Use a wrench to tighten each of the nuts.

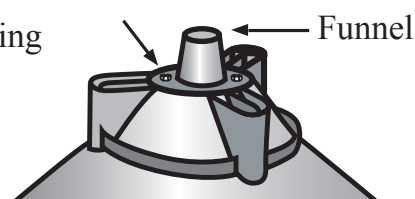


4 Slide the three provided **Square Leg Receivers** into the **Hopper** as shown.

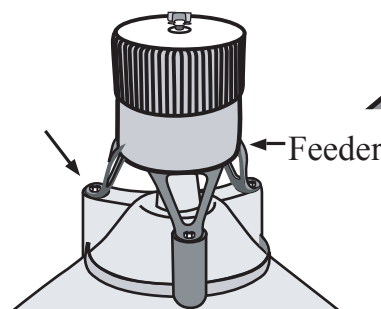


II MOUNTING FUNNEL AND FEEDER

1 Place **Funnel** over the bottom opening and secure to the **Hopper** using the two provided 3/4" long screws as shown.



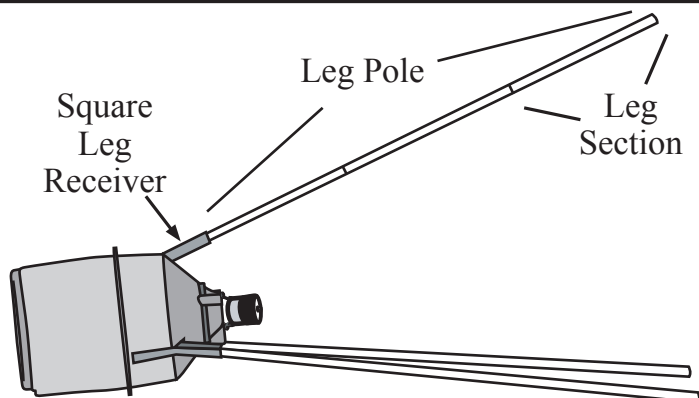
2 Place **Feeder** over the three mounting holes and secure to **Hopper** using the three provided 1.5" long screws as shown.



III STANDING UP FEEDER

Lay Hopper on side. Using three **Leg Sections**, install a **Leg Pole** on the inside of each of the **Square Leg Receivers**. With two **Leg Poles** against the ground as shown, carefully stand up the **Feeder** assembly.

NOTE: Distance between legs at ground should not exceed 75 inches. To prevent tipping, the **Feeder** must be placed on level ground.

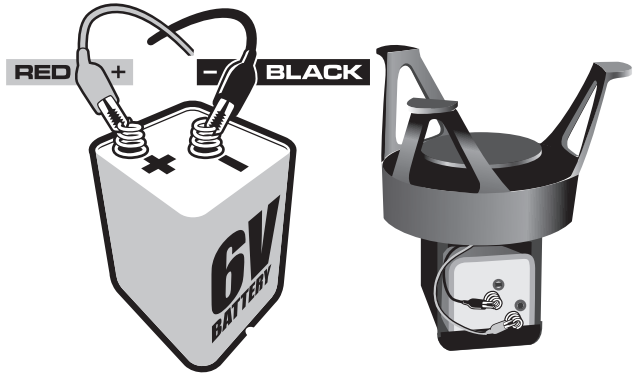


DO NOT EXCEED 200 POUNDS OF FEED

IV INSTALLING BATTERY

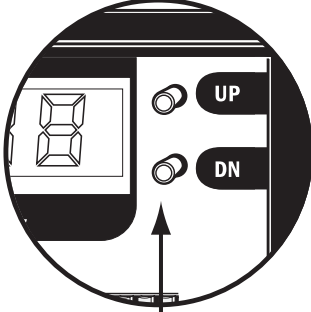
CAUTION: WEAR EYE PROTECTION

Remove Feeder bottom and install a 6-Volt Alkaline (ex. Energizer™) or Moultrie rechargeable battery by attaching the Red Alligator Clip to the positive terminal (+) and the Black Alligator Clip to the negative (-) terminal.

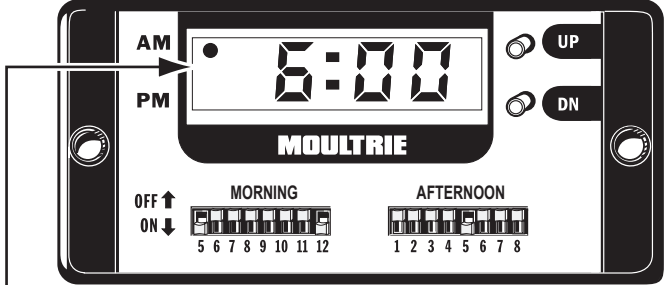


V SETTING TIME OF DAY

To set the current time, press the UP or DN buttons on the right side of the Timer. Hold button down to advance quickly. Press button repeatedly to select a specific minute. The lights on left side of the display indicate AM or PM.



Time Set buttons



AM / PM Indicator lights

! Your Feeder is equipped with a power saving feature which turns off the display after 15 seconds of inactivity. The display does not need to be on in order for the feeder to operate. Press the UP or DN button to turn the display back on.

VI SETTING FEED TIMES, RUN TIME AND TEST FEEDER

FEED TIMES: The Feeder allows you to feed up to 16 times per day between the hours of 5:00 am and 8:00 pm. To select the times to feed, slide the switch to the “ON” position that corresponds to the hour(s) desired.

The illustration on the right indicates that the Timer will feed at 5:00 am, 12:00 pm (noon), and 5:00 pm



RUN TIME: The motor Run Time adjustment allows you to adjust the amount of feed dispensed. To adjust Run Time, **press and release** the UP and DN buttons simultaneously. Once displayed, the Run Time may be adjusted by pressing the UP or DN buttons.

RUN TIME (sec.)	2	4	6	8	10	12	14	16	18	20
Approx. feed dispensed (lbs.)	.25	.75	1	1.5	2	2.5	3	3.5	4	4.5

FEEDER TEST: To test the motor, **press and hold UP and DN buttons simultaneously** until a “5” appears on the left hand side of the display. You now have 5 seconds to get away from the feeder before the motor runs for the RUN TIME selected.

TIPS & POINTERS

1: (Q) What battery should I use? (A) For best performance, use a rechargeable 6-Volt, 5 Amp-Hour Moultrie brand battery. If disposable batteries will be used, Energizer™ Alkaline batteries are recommended.

2: (Q) What should I do if the timer isn't working? (A) Check the connections to the battery to make sure alligator clips have not come loose. Then check the battery itself by changing to a known good battery. If the problem still persists, call Moultrie Customer Service at the number below.

Our Service Department will gladly answer any questions you have. Call 205-664-6700 or 800-653-3334, Monday - Friday, 8:00 AM to 5:00 PM CST. www.moultriefeeders.com

NOTE: This equipment has been tested and found to comply with the limits for a Class B digital device pursuant to Part 15 of the FCC rules. These limits are designed to provide reasonable protection against harmful interference in a residential installation. This equipment generates, uses and can radiate radio frequency energy and, if not installed and used in accordance with the instructions, may cause harmful interference to radio communications. However, there is no guarantee that interference will not occur in a particular installation. If this equipment does cause harmful interference to radio or television reception, which can be determined by turning the equipment off and on, the user is encouraged to correct the interference by one or more of the following measures:

- Reorient or relocate the receiving antenna
- Increase the separation between the equipment and the receiver