



SUMMIT
EST. 1981
TREESTANDS

Deer Deck / Deer Deck Lite

Instruction Booklet - 2007

You **MUST** also view the enclosed DVD **BEFORE** using your new treestand!!

Weight Limit 300 lbs. total. **DO NOT EXCEED THIS LIMIT!**

Tree Size: 8" - 20" - Diameter

READ ME FIRST!!!

Please read carefully **BEFORE** using your new Summit Treestand.

Congratulations! You have purchased the finest commercially available treestand on the market today. Summit Treestands are designed and built to provide years of trouble-free, successful hunting with a minimum of maintenance and care. They are certified to meet the requirements of the Treestand Manufacturers Association (TMA) Standards. This booklet is provided to you to outline the recommended use, care and maintenance of your Summit Treestand.

Warnings and Precautions

- **IT IS IMPORTANT TO NOTE THAT A TREESTAND FALL CAN OCCUR AT ANY TIME AFTER LEAVING THE GROUND!**
- **YOU MUST FULLY READ, UNDERSTAND AND FOLLOW THESE INSTRUCTIONS! PLEASE CONTACT SUMMIT TREESTANDS IF YOU HAVE ANY QUESTIONS ON THE USE OF THIS PRODUCT! FAILURE TO FOLLOW THESE INSTRUCTIONS MAY CAUSE SERIOUS INJURY OR DEATH!!**
- **BEFORE USING ANY TREESTAND, BE SURE YOU MAINTAIN FULL BODY SAFETY HARNESS ATTACHMENT TO THE TREE AT ALL TIMES AFTER LEAVING THE GROUND!!! YOU MUST STAY CONNECTED TO YOUR FALL ARREST SYSTEM AT ALL TIMES AFTER LEAVING THE GROUND!**
- **DO NOT USE THIS OR ANY OTHER TREESTAND IF YOU HAVE BEEN USING DRUGS (EVEN PRESCRIPTION) OR ALCOHOL OR ARE PHYSICALLY IMPAIRED IN ANY WAY! NEVER USE A TREESTAND WHEN FEELING ILL, NAUSEOUS OR DIZZY!**
- **FOR YOUR SAFETY, DO NOT USE ANY TREESTAND DURING RAIN, LIGHTNING, WINDSTORMS, WHEN TREES ARE WET OR ICY, OR ON TREES THAT ARE LEANING, TREES THAT APPEAR DEAD OR DISEASED, ON LOOSE BARKED TREES OR ON UTILITY POLES!!! NEVER RELY ON A TREE BRANCH FOR SUPPORT!**
- **DO NOT USE ANY TREESTAND IF YOU HAVE NOT FOLLOWED THE MANUFACTURERS CARE AND MAINTENANCE GUIDELINES! NEVER MODIFY YOUR STAND BY MAKING REPAIRS, REPLACING PARTS, ALTERING PARTS OR ATTACHING ANYTHING TO IT UNLESS EXPLICITLY AUTHORIZED BY SUMMIT TREESTANDS!**
- **ALWAYS INSPECT THE STAND / CABLE SYSTEM OR HANGING STRAPS AND ANY SAFETY GEAR BEFORE EACH USE! IF ANY PROBLEMS ARE FOUND - DO NOT USE THE STAND! CONTACT CUSTOMER SERVICE FOR THE APPROPRIATE REPAIR / REPLACEMENT PROCEDURE!**
- **NEVER ALLOW THE SAFETY HARNESS TETHER TO GET UNDER OR AROUND YOUR NECK!**
- **IT IS IMPORTANT THAT YOU REMEMBER TO BE PREPARED IF YOU HAPPEN TO FALL AND EMPLOY YOUR SAFETY HARNESS WHILE IN A TREESTAND. STAY CALM AND DO NOT PANIC. YOU MUST BE PREPARED TO RECOVER FROM YOUR FALL BY EITHER CLIMBING BACK ONTO YOUR TREESTAND OR USING A DEVICE SUCH AS THE "TREE DESCENDER" (AVAILABLE FROM SUMMIT, WWW.SUMMITSTANDS.COM, 256-353-0634). PRIOR TO HUNTING: YOU MUST NOTIFY SOMEONE OF YOUR HUNTING LOCATION AND WHEN YOU WILL RETURN!**
- **DO NOT USE ANY TREESTAND UNLESS YOU ARE IN GOOD PHYSICAL SHAPE. THE ABILITY TO DO SEVERAL PUSH-UPS, CHIN-UPS, SIT-UPS, ETC. IS REQUIRED FOR YOUR SAFETY!**
- **ALWAYS USE A HAUL LINE TO RAISE AND LOWER UNLOADED FIREARMS AND BOWS! FIREARMS MUST BE PULLED UP UNLOADED, CHAMBER OPEN AND MUZZLE DOWN!**
- **NEVER CLIMB WITH ANYTHING IN YOUR HANDS OR ON YOUR BACK - USE A HAUL LINE!**
- **PRACTICE USING YOUR TREESTAND AND SAFETY HARNESS AT A LOW LEVEL (5 FEET) UNTIL YOU MASTER ITS USE!**
- **BE WELL RESTED AND NEVER GET IN A HURRY. HURRYING CAUSES ACCIDENTS!!**
- **INSTRUCTIONS (WRITTEN AND VIDEO) SHOULD BE REVIEWED AT LEAST ANNUALLY. IF YOU LOAN OR SELL THIS TREESTAND, IT IS YOUR RESPONSIBILITY TO FURNISH THE BUYER A COPY OF THESE INSTRUCTIONS AND THE VIDEO THAT CAME WITH THE TREESTAND. MAKE SURE THEY WATCH THE VIDEO AND READ / UNDERSTAND THE INSTRUCTIONS!**

Warning

Before each use of your Summit Treestand, **ALWAYS** inspect the treestand for any structural damage, cracks, cable wear or abrasion that may have occurred in transporting your treestand. **DO NOT USE IF ANY DAMAGE IS FOUND! DO NOT** leave your treestand outdoors when it is not being used. **Any tubing that is allowed to fill with rainwater and freeze WILL rupture or burst. DO NOT use your treestand if this happens.**

Section 1. Assembling your new Treestand

Note: Deer Deck shown - Deer Deck Lite similar. Please contact us at www.summitstands.com or 256-353-0634 to obtain any missing parts or if your DVD does not work.

Part 1. Seat Assembly.

Step 1. Place two short shank bushings on the **outside** of the bracket on the Seat Support Assembly as shown in **Figure 1**.

Step 2. Place two short shank bushings on the **outside** of the upper bracket on the Seat Post as shown in **Figure 1**.

Step 3. Place two short shank bushing on the **outside** of the middle bracket (just above the cable attachment bolt) on the Seat Post as shown in **Figure 1**.

Step 4. Position the Seat Support Assembly as shown in **Figure 2**. Line up the holes on the upper bracket and secure with two 3/4" bolts and lock nuts.

Step 5. Line up the Support Rods and secure with two 3/4" bolts and lock nuts. **Do Not Overtighten as this connection is designed to pivot.**

Part 2. Carrying your Deer Deck / Deer Deck Lite

Step 1. Fold the Seat and Seat Support Assembly up as far as it will go.

Step 2. Fold the Seat Post down against the frame.

Step 3. Secure the Seat Post to the Platform using the supplied bungee cord. To use this bungee, loop it around the platform to create a cinch knot as shown in **Figure 3**. Loop it around the Seat Post and clip it off to secure it.

Section 2. Use of the Deer Deck or Deer Deck Lite

WARNING: A LINEMAN'S STYLE HOOK UP IS MANDATORY WHEN HANGING YOUR STAND. SEE THE HARNESS INSTRUCTIONS FOR INFORMATION ON USING THE SUPPLIED LINEMAN'S BELT!

Part 1. Attaching your Deer Deck to the Tree.

Step 1. Disconnect the small black bungee that secures the Seat Post to the platform.

Step 2. USING YOUR CLIMBING BELT, Climb to your desired hunting height.

Step 3. USING A PULL-UP ROPE - haul your platform up.

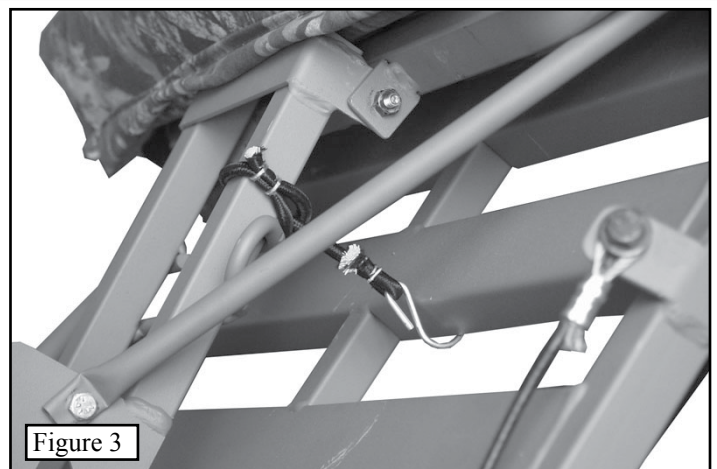
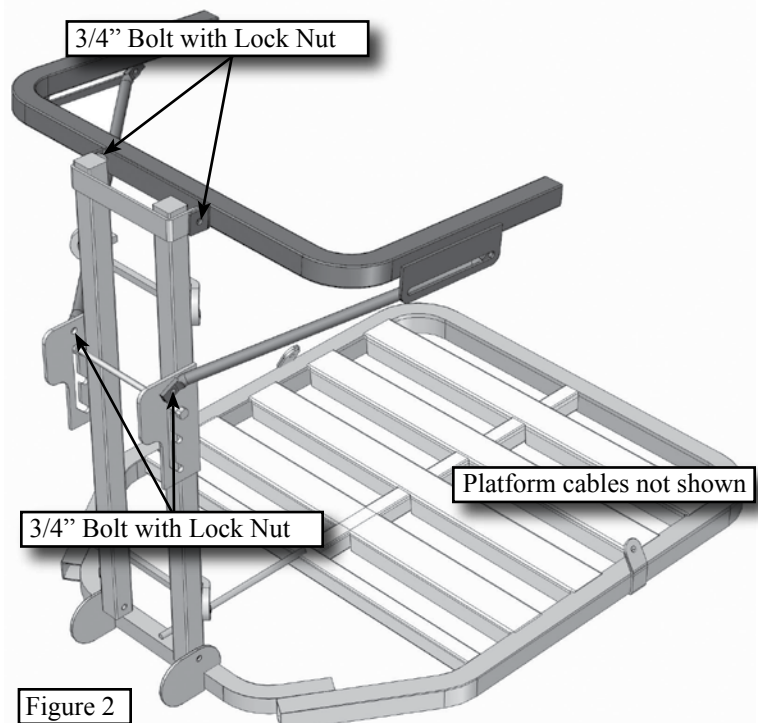
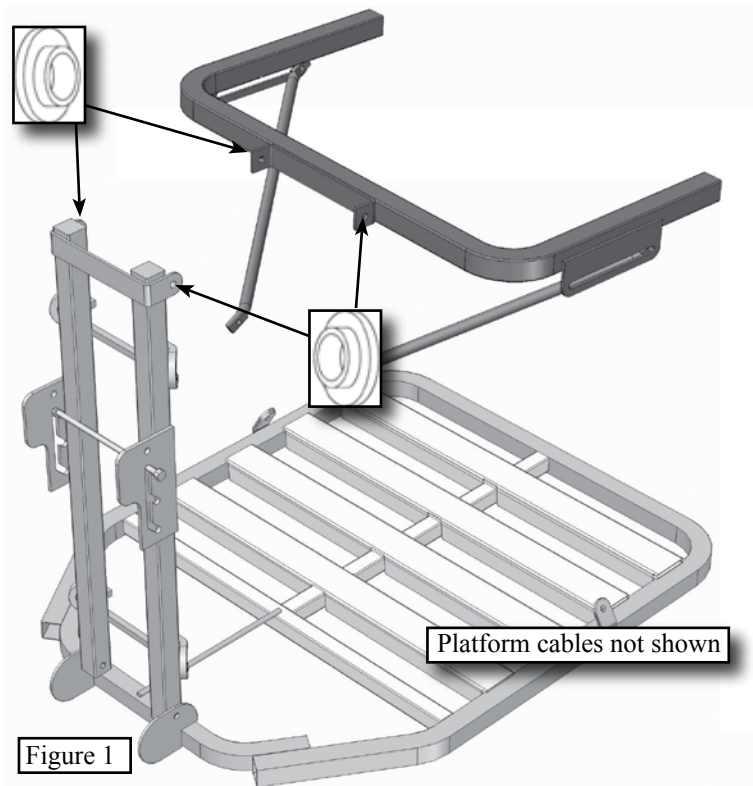
Step 4. Secure one of the ratchet straps to the bottom welded bracket on the far side of the stand. Ratchet straps should attach with the hooks facing out (See **Figure 4**). This will keep the strap pinned into the stand as you hang it. Loop the strap around the tree and hook the other side into the welded bracket. Ratchet tight enough so that the stand does not slip down.

Step 5. Attach the other ratchet strap to the upper welded bracket and securely ratchet it tight then go back and ratchet the bottom strap tight. Both straps should level on the tree and parallel to each other as shown in **Figure 5**.

WARNING: DO NOT JUMP OR BOUNCE ON THE PLATFORM OR SEAT TO ATTEMPT TO SEAT THE STAND INTO THE TREE!

Part 2. Leveling your platform.

Step 1. The position of the platform cable can be changed to level out the platform on leaning tree. Lift up on the front of the platform so that the two side cables become slack.



Step 2. Lift up on the bar connecting the cables as shown in **Figure 6**. Move the bar up or down to the other slots until the platform is level. **YOU MUST MAKE SURE THAT THE BAR IS COMPLETELY LOCKED INTO A NEW SLOT BEFORE STEPPING ONTO THE PLATFORM!**

Part 3. Using Your Treestand.

Once the platform has been positioned correctly and level, attach your safety rope above your platform or seat as shown in **Figure 7**. **REFER TO THE TREESTAND HARNESS INSTRUCTIONS FOR PROPER PLACEMENT AND USE.** Connect your harness tether to your safety rope. Once you are properly connected, **THEN AND ONLY THEN** should you remove your lineman's hookup.

WARNING: CLIMBING AIDS MUST EXTEND ABOVE THE PLATFORM! ALWAYS STEP DOWN TO YOUR PLATFORM FROM YOUR CLIMBING STICKS OR LADDER. NEVER CLIMB UP ON TO THE PLATFORM!

WARNING: BOTH STRAPS MUST BE COMPLETELY TIGHT AND BOTH UPPER AND LOWER BRACKETS MUST BE IN CONTACT WITH THE TREE BEFORE YOU STEP ONTO THE PLATFORM!

NOTE: Summit recommends the use of the SOP Climbing System Accessory with all ladder and hang-on treestands. More information on this product can be found on our website - www.summitstands.com - or by calling 256-353-0634.

Section 3. Maintenance and Care of Your Treestand.

Because of the quality construction techniques used in manufacturing, your Summit Treestand is very durable under normal hunting conditions. However, since all hunting equipment that is exposed to the elements requires some maintenance and care, the following guidelines for caring for your treestand should be used. **DO NOT** leave your treestand outdoors when it is not being used. **Any tubing that is allowed to fill with rainwater and freeze WILL rupture or burst. DO NOT use your treestand if this happens.**

If your treestand is exposed to the elements, it will be necessary to cover the seat to prevent rain and moisture from saturating the material. This will extend the life of the seat material as well as make it more comfortable the next time it is used. **NEVER** leave the stand outside for longer than two weeks at a time. Weather and animals may cause damage to the stand. Tree growth can also stress and damage straps and buckles.

The powder coat finish that is applied at the factory is very durable and should need touch ups only in areas of heavy wear or accidental impact.

Should you damage any part of your Summit Treestand, contact your nearest authorized Summit dealer or the factory to obtain the proper corrective action procedure and/or replacement parts for the treestand. Unauthorized repairs, modifications, or alterations will void the warranty and could degrade the integrity of the treestand. You must perform periodic inspections of the treestand for damage. **WARNING: DO NOT** use the treestand if **ANY** obvious or suspected damage is observed.

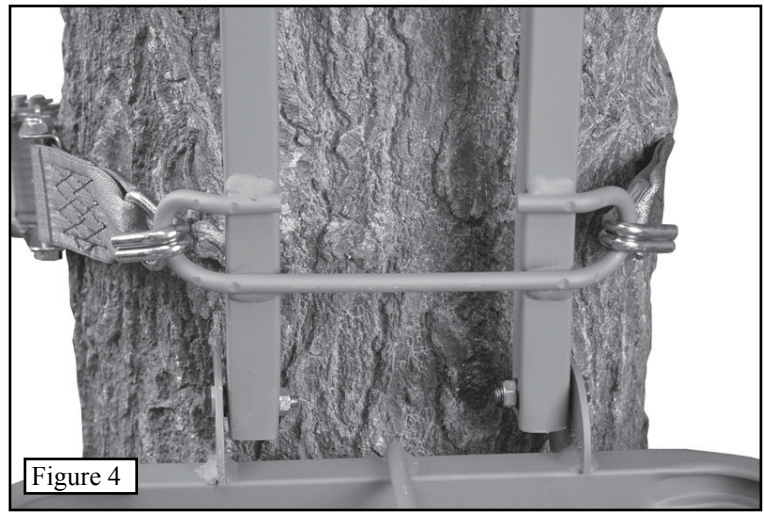


Figure 4

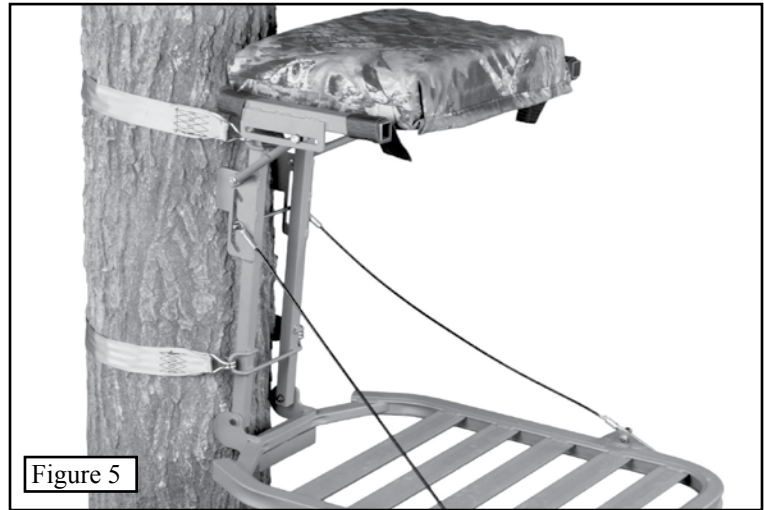


Figure 5

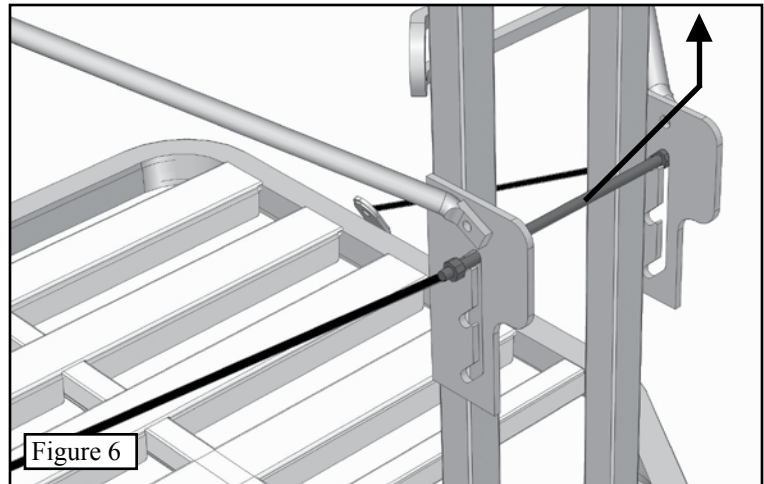


Figure 6

CAUTION: Look for nicks, gouges, cuts, cracks, bends, corrosion or similar damage that can be the result of improper use or accidental damage. For instance, this could occur if someone else used the treestand without knowledge of its proper use, or if the treestand were dropped, hit by a motor vehicle or subject to corrosive conditions, etc. Summit Treestands have the highest structural integrity by design, material selection and manufacturing techniques, but as its owner, only your continued care will assure trouble free performance. When the above-mentioned guidelines are followed, your Summit Treestand will provide years of successful hunting.

Harness Suspension

It is necessary and very important that someone knows your hunting location and time of return. It is also very important that you carry (on your person) emergency communication devices such as a cell phone, two-way radio, whistle, signal flare or preferably a PLD (Personal Locator Device - FCC approved July, '03). When triggered, a PLD will transmit an emergency signal to local rescue teams identifying your location via satellite GPS coordinates. Wilderness outfitters and the internet are sources for these PLD's.

Suspension trauma or blood pooling can occur when suspended motionless in a harness for periods of time. This can lead to unconsciousness. **WARNING: IF YOU HAVE TO HANG IN THE TREE BEFORE HELP ARRIVES, YOU NEED TO EXERCISE YOUR LEGS BY PUSHING OFF FROM THE TREE OR BY USING THE ENCLOSED SUSPENSION RELIEF STRAP. SEE THE TREESTAND HARNESS INSTRUCTIONS AND THE ENCLOSED INSTRUCTIONS FOR MORE INFORMATION.**

Self extraction may be necessary in the unfortunate situation that A) No one knows your location, B) Your communication efforts are exhausted, and C) You're confident that you have the strength, dexterity and ability to perform self-extraction and D) You decide this is your "absolute last resort". It is necessary to carry a device to assist with this self-extraction. Simple devices such as screw-in steps or a rope "Tree Descender" (available from Summit) will allow you to remove the weight from your harness. This may enable you to return to the treestand/ladder/climbing steps or slowly descend the tree.

Good Hunting and Hunt Safe!

HUNT TOMORROW...

...USE YOUR SAFETY HARNESS TODAY!

©(STLLC 2007)

Tips

You will easily learn how to use your Summit treestand more efficiently and make it more effective for your hunting.

Changing your sitting position can relieve muscle stress and reduce fatigue. This will allow a longer hunt and perhaps an opportunity for a shot. Although it must be done slowly and quietly, repositioning and changing the height of your seat by raising or lowering the seat frame just a couple of inches could make a difference. This changes the hip to knee angle. Moving the seat straps, again slowly and quietly, forward or backward on their support bar will alter the sitting position also. Being comfortable will result in no movement and reduce being detected by game either from sight or from sound.

Summit products are manufactured under one or more of the following US Patents: 5,937,969; 5,971,104; 5,975,242; 5,979,603; 6,125,966; 6,182,792; 6,397,973; D,417,011; D,420,147

Summit Bucksteps and RapidClimb Stirrups are Patent Pending

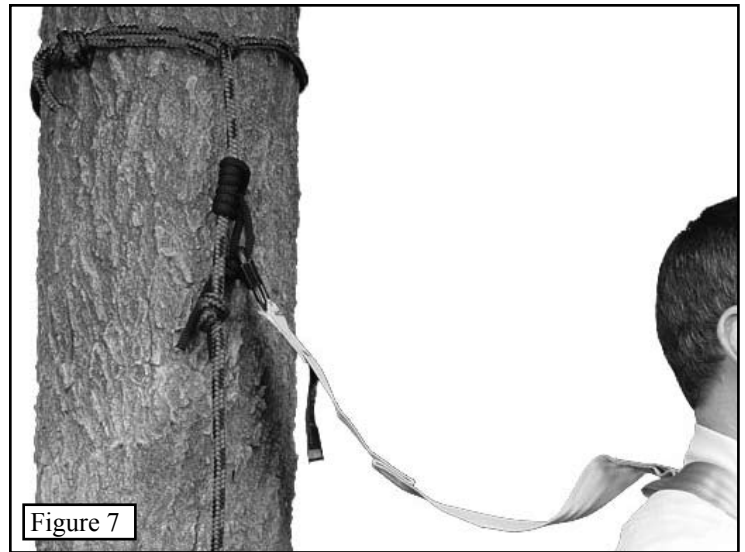


Figure 7

Limited Warranty

(A) Warranty

Summit Treestands, LLC (Summit) warrants to the original retail purchaser that all products manufactured by it are free from defects in material and manufacture at the time of shipment for sixty (60) months from the date of purchase. Summit will repair or replace any part found defective if the unit claimed to be defective shall be returned to Summit, postage prepaid, within the warranty period.

This warranty shall not apply to any product which has been subjected to misuse; misapplication; neglect (including but not limited to improper maintenance); accident; improper installation; modification (including but not limited to use of unauthorized parts or attachments); adjustment or repair. THE FOREGOING IS IN LIEU OF ALL OTHER WARRANTIES, WHETHER EXPRESS OR IMPLIED (INCLUDING THOSE OF MERCHANTABILITY AND FITNESS OF ANY PRODUCT FOR A PARTICULAR PURPOSE), AND OF ANY OTHER OBLIGATION OF LIABILITY ON THE PART OF THE COMPANY.

(B) Limitation of Liability

It is expressly understood that Summit's liability for its products, whether due to breach of warranty, negligence, strict liability, or otherwise, is limited to the repair of the product, as stated above, and Summit will not be liable for any other injury, loss, damage, or expense, whether direct or consequential, including but not limited to loss of use, income, profit, or damage to material, arising in connection with the sale, installation, use of, inability to use, or the repair or replacement of Summit's products.

Summit reserves the right to make alterations or modifications in its products at any time, which in its opinion, may improve the performance and efficiency of the product. It shall not be obligated to make such alterations or modifications to products already in service.

Please fill out the warranty card and return to:

SUMMIT Treestands, LLC.
715 Summit Dr.
Decatur, AL 35601

Parts List

BOX CONTENTS DEER DECK / DEER DECK LITE

PN	DESCRIPTION	QTY
71131	Deer Deck Seat Frame	1
71130	Deer Deck Lite Aluminum Platform or	
71131	Deer Deck Steel Platform	
72021	Accessory Packet	1

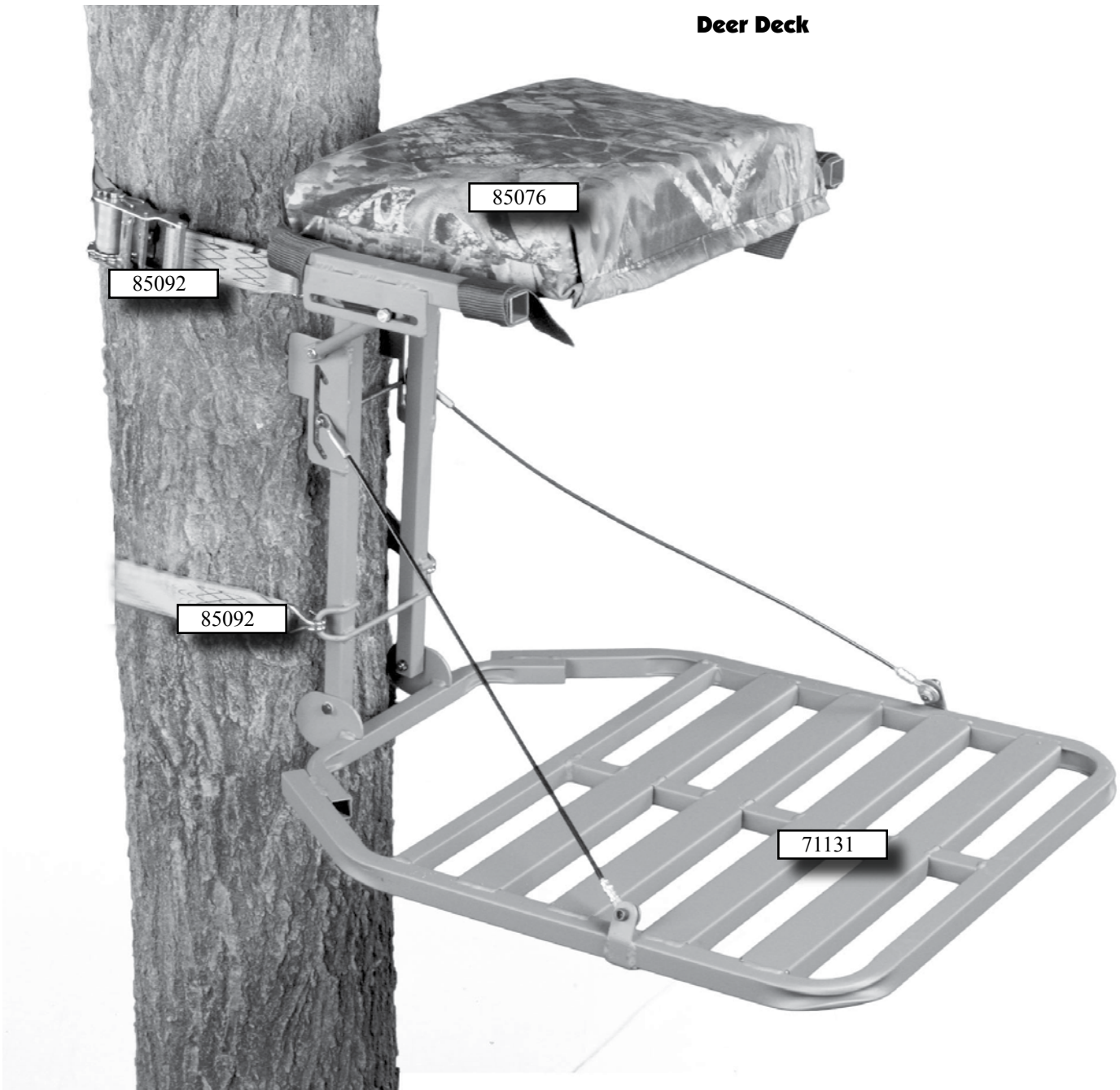
72021 DEER DECK ACCESSORY PACKET CONTENTS

PN	DESCRIPTION	QTY
85092	1.5" Wide Ratchet Strap	2
83032	Summit 4 Point Safety Harness	1
83023	Safety line with Prussic Hitch	1
10512	Locking Clip for safety line / harness	1
10953	Suspension Relief Strap with instructions	1
30331	Lineman's strap	1
30346	Short platform bungee with hook	1
10886	2007 Instructional DVD	1
Written instructions for this stand		
Written instructions for Summit Harness		
22021	Hardware Packet	1

22021 HARDWARE PACKET CONTENTS

PN	DESCRIPTION	QTY
10641	Short Shank Bushing	6
10605	3/4" Bolt (1/4 -20)	4
10612	Centerlock Nut (1/4 -20)	4

Deer Deck





SUMMIT
EST. 1981
TREESTANDS

Deer Deck Lite



**Visit us on the web at
www.summitstands.com
for accessories and
upgrades!**

Cut Along Line

Cut Along Line

Warranty Card for Summit Treestand

Treestand Purchased: Deer Deck (PN 82020) Deer Deck Lite (PN 82021)

Owners Name: _____ Street Address: _____

City: _____ State: _____ ZIP: _____ Phone: (____) _____

Date Purchased: _____ Purchased From (Dealer Name): _____ Price \$: _____

Your heard about us through: Magazine Advertisement Video Friend Summit Catalog

Other Please Explain: _____

You can also register your warranty card on line at: www.summitstands.com/warranty.aspx