



SUMMIT
EST. 1981
TREESTANDS

Double Barrel - Instruction Booklet - 2007

You **MUST** also view the enclosed DVD **BEFORE** using your new treestand!!
Weight Limit 500 lbs (2 @ 250 lbs each). **DO NOT EXCEED THIS LIMIT!**
Tree Size: 8" - 20"

READ ME FIRST!!!

Please read carefully **BEFORE** using your new Summit Double Barrel Ladder Treestand.

Congratulations! You have purchased the finest commercially available ladder treestand on the market today. Summit Ladder Treestands are designed and built to provide years of trouble-free, successful hunting with a minimum of maintenance and care. They are certified to meet the requirements of the Treestand Manufacturers Association (TMA) Standards. This booklet is provided to you to outline the recommended use, care and maintenance of your Summit Ladder Treestand.

Warnings and Precautions

- **IT IS IMPORTANT TO NOTE THAT A TREESTAND FALL CAN OCCUR AT ANY TIME AFTER LEAVING THE GROUND!**
- **YOU MUST FULLY READ, UNDERSTAND AND FOLLOW THESE INSTRUCTIONS! PLEASE CONTACT SUMMIT TREESTANDS IF YOU HAVE ANY QUESTIONS ON THE USE OF THIS PRODUCT! FAILURE TO FOLLOW THESE INSTRUCTIONS MAY CAUSE SERIOUS INJURY OR DEATH!!**
- **BEFORE USING ANY TREESTAND, BE SURE YOU MAINTAIN FULL BODY SAFETY HARNESS ATTACHMENT TO THE TREE AT ALL TIMES AFTER LEAVING THE GROUND!!! YOU MUST STAY CONNECTED TO YOUR FALL ARREST SYSTEM AT ALL TIMES AFTER LEAVING THE GROUND!**
- **DO NOT USE THIS OR ANY OTHER TREESTAND IF YOU HAVE BEEN USING DRUGS (EVEN PRESCRIPTION) OR ALCOHOL OR ARE PHYSICALLY IMPAIRED IN ANY WAY! NEVER USE A TREESTAND WHEN FEELING ILL, NAUSEOUS OR DIZZY!**
- **FOR YOUR SAFETY, DO NOT USE ANY TREESTAND DURING RAIN, LIGHTNING, WINDSTORMS, WHEN TREES ARE WET OR ICY, OR ON TREES THAT ARE LEANING, TREES THAT APPEAR DEAD OR DISEASED, ON LOOSE BARKED TREES OR ON UTILITY POLES!!! NEVER RELY ON A TREE BRANCH FOR SUPPORT!**
- **DO NOT USE ANY TREESTAND IF YOU HAVE NOT FOLLOWED THE MANUFACTURERS CARE AND MAINTENANCE GUIDELINES! NEVER MODIFY YOUR STAND BY MAKING REPAIRS, REPLACING PARTS, ALTERING PARTS OR ATTACHING ANYTHING TO IT UNLESS EXPLICITLY AUTHORIZED BY SUMMIT TREESTANDS!**
- **ALWAYS INSPECT THE STAND / CABLE SYSTEM OR HANGING STRAPS AND ANY SAFETY GEAR BEFORE EACH USE! IF ANY PROBLEMS ARE FOUND - DO NOT USE THE STAND! CONTACT CUSTOMER SERVICE FOR THE APPROPRIATE REPAIR / REPLACEMENT PROCEDURE!**
- **NEVER ALLOW THE SAFETY HARNESS TETHER TO GET UNDER OR AROUND YOUR NECK!**
- **IT IS IMPORTANT THAT YOU REMEMBER TO BE PREPARED IF YOU HAPPEN TO FALL AND EMPLOY YOUR SAFETY HARNESS WHILE IN A TREESTAND. STAY CALM AND DO NOT PANIC. YOU MUST BE PREPARED TO RECOVER FROM YOUR FALL BY EITHER CLIMBING BACK ONTO YOUR TREESTAND OR USING A DEVICE SUCH AS THE "TREE DESCENDER" (AVAILABLE FROM SUMMIT, WWW.SUMMITSTANDS.COM, 256-353-0634). PRIOR TO HUNTING: YOU MUST NOTIFY SOMEONE OF YOUR HUNTING LOCATION AND WHEN YOU WILL RETURN!**
- **DO NOT USE ANY TREESTAND UNLESS YOU ARE IN GOOD PHYSICAL SHAPE. THE ABILITY TO DO SEVERAL PUSH-UPS, CHIN-UPS, SIT-UPS, ETC. IS REQUIRED FOR YOUR SAFETY!**
- **ALWAYS USE A HAUL LINE TO RAISE AND LOWER UNLOADED FIREARMS AND BOWS! FIREARMS MUST BE PULLED UP UNLOADED, CHAMBER OPEN AND MUZZLE DOWN!**
- **NEVER CLIMB WITH ANYTHING IN YOUR HANDS OR ON YOUR BACK - USE A HAUL LINE!**
- **PRACTICE USING YOUR TREESTAND AND SAFETY HARNESS AT A LOW LEVEL (5 FEET) UNTIL YOU MASTER ITS USE!**
- **BE WELL RESTED AND NEVER GET IN A HURRY. HURRYING CAUSES ACCIDENTS!!**
- **INSTRUCTIONS (WRITTEN AND VIDEO) SHOULD BE REVIEWED AT LEAST ANNUALLY. IF YOU LOAN OR SELL THIS TREESTAND, IT IS YOUR RESPONSIBILITY TO FURNISH THE BUYER A COPY OF THESE INSTRUCTIONS AND THE VIDEO THAT CAME WITH THE TREESTAND. MAKE SURE THEY WATCH THE VIDEO AND READ / UNDERSTAND THE INSTRUCTIONS!**
- **CHECK EVERY LADDER SECTION CONNECTION EVERY TIME YOU USE THE STAND. IF ANY LADDER SECTIONS ARE SEPARATING - DO NOT USE THE STAND!**
- **CHECK THE GROUND UNDER THE STAND TO MAKE SURE IT IS FIRM AND LEVEL. SLOPING GROUND OR AN UNEVEN SURFACE (ONE LADDER SECTION ON A ROCK) CAN CAUSE YOUR STAND TO TILT OR SHIFT AS YOU CLIMB!**
- **MAINTAIN THREE POINTS OF CONTACT WHEN YOU CLIMB THE LADDER SECTION OF THIS STAND!**

Section 1. Assembling Your Single Shot Ladder Treestand.
Please refer to Page 5 and Page 6 for parts lists. Please contact Summit at www.summitstands.com or 256-353-0634 to obtain any missing parts or if your DVD does not work. Assembly diagrams start on Page 5.

Part 1. Ladder Column Assembly.

Step 1. Bolt together all three of the column assemblies. To do this, lay two assemblies down together as shown in **Figure 1**. Lay one coupler plate across the joint and bolt together using two 2 3/4" long bolts and lock nuts per plate. See **Figure 2**. Repeat for the other side.
Step 2. Repeat this process again so that you have a total of 3 column assemblies bolted together. Set this assembly aside.

Part 2. Gun Rest / Seat Back Assembly.

Note: The Gun Rest Bar and Seat Back Bar are identical and can be interchanged.

Step 1. Orient the Seat Back Assembly and the Seat Back Support Assembly as shown in **Figure 3**.
Step 2. Slide the Seat Back Assembly into the Support Assembly and line up the bolt holes.
Step 3. Use two 1 1/2" bolts with lock nuts to secure the connection. Run bolts from the inside out to put the nut on the outside.
Step 4. Orient the Gun Rest Assembly and the short Gun Rest Support Tubes as shown in **Figure 4**.
Step 5. Slide one of the Gun Rest Support tubes onto the Gun Rest Assembly and line up the holes.
Step 6. Use one 1 1/2" bolt with lock nut to secure the connection. Repeat for the other side. Set both assemblies aside.

Part 3. Platform Assembly.

Step 1. Orient the wide Platform Assembly to the treestand Yolk Assembly as shown in **Figure 5**. The platform should have 4 welded U - Brackets and the round curve should be facing out. The Yolk Assembly "teeth" should be facing away from the platform curves. The Yolk also has two welded brackets and these **MUST** face up (the same orientation as the platform).
Step 2. Lay the Yolk Assembly down on the platform and line up the bolt holes as shown in **Figure 6**.
Step 3. Use four 1 3/4" bolts with lock nuts to secure the Yolk to the platform.
Step 5. Flip the Platform assembly over so that you now have five sets of U-Brackets facing up. Orient the Lower Seat Support Assembly to the Yolk Assembly as shown in **Figure 7**.
Step 6. Lay the Lower Seat Support Assembly on the Yolk Assembly and line up the edges as shown in **Figure 8**.
Step 7. Use four U-bolts at locations **A, B, C, D** (See **Figure 9**) with two 1/4" locking nuts and the metal backing plates per U-bolt. Be sure to observe correct orientation of the bolts also shown in **Figure 9**.

Part 4. Seat Frame Assembly.

Step 1. Orient the Seat Back Assembly (From **Part 2**) as shown in **Figure 10**.
Step 2. Lower the Seat Back Assembly into the welded U-Brackets on the Lower Seat Support Assembly and line up the bolt holes as shown in **Figure 11**.
Step 3. Use two 1 3/4" bolts with lock nuts to secure both sides.
Step 4. Position one of the "L" shaped Seat Tubes as shown in **Figure 12**.

Step 5. Slide the Seat Tube into the U-Brackets on the Seat Back Assembly and on the Platform Assembly. Line up the bolt holes.

Step 6. Secure the Seat Tube with two 1 3/4" bolts and lock nuts.

Step 7. Repeat two more times for the center and outer seat tube as shown in **Figure 13**.

Step 8. Orient the Seat Support Cross Member as shown in **Figure 14**. **This tube is 40.75" long.**

Step 9. Line up the bolt holes and attach with two 2 3/4" bolts and lock nuts as shown in **Figure 15**. This bar will only bolt through on the ends. Use a U-Bolt, backing plate and two 1/4" lock nuts to secure the center Seat Tube also shown in **Figure 15**.

Step 10. Position the Upper Seat Support as shown in **Figure 16**.

Step 11. Slide the Upper Seat Support over the Seat Back Assembly and the Seat Tubes.

Step 12. Secure the Seat Support with the last remaining U-bolt, backing plate and two 1/4" lock nuts as shown in **Figure 17**.

Part 4. Gun Rest / Arm Rest to Platform Assembly.

Step 1. Orient the Gun Rest (From **Part 2**) as shown in **Figure 18**.

Step 2. Lower the Gun Rest into the welded U - Brackets on the front of the platform. Line up the holes.

Step 3. Secure the Gun Rest with two 1 3/4" bolts and lock nuts.

Step 4. Position the Arm Rest Tubes as shown in **Figure 19**. **These two tubes are 32.5" long.**

Step 5. Slide the Arm Rest Tubes into place between the Gun Rest and Seat Back Rest. Line up the bolt holes.

Step 6. Use two 1 3/4" bolts per side to secure each Tube.

Part 5. Ladder Column to Platform / Yolk Assembly.

Step 1. Position the Platform / Yolk Assembly as shown in **Figure 20**. Note Correct orientation of Ladder Column.

Step 2. Slide the Ladder Column Assembly (From **Part 1**) up to the Platform. Line up the bolt holes.

Step 3. Secure hand tight with two 1 3/4" bolts and lock nuts.

Step 4. Position the Ladder Column to Platform support tubes as shown in **Figure 21**. **These tubes are a little over 35" long.**

Step 5. Attach support tubes at the platform first using two 2 3/4" bolts and lock nuts. Hand tighten this connection.

Step 6. Run each support tube to the hole in the ladder column. You will have to lift up on the Platform Assembly so that the Ladder Column will swing out enough to line up the bolt holes. Use two 2 3/4" bolts with lock nuts to secure (See **Figure 22**).

Step 7. GO BACK and wrench tighten the bolts from **Step 3 and Step 5**.

Part 6. Comfort Pads and Foam Seat Attachment.

Step 1. Attach one of the long comfort pads to the Seat Back bar as shown in **Figure A**. Use three cable ties to secure the pad. Note the **Incorrect and Correct** way of attaching. Pull the cable ties snug and trim off the excess. Rotate the clasp to the underside of the pad.

Step 2. Attach the other long comfort pad to the Gun Rest bar as shown in **Figure B**. Use three cable ties to secure the pad.

Step 3. Position the seat over the Seat frame, with the snap clips to the rear of the stand. Snap the clips all the way around the seat frame as shown in **Figure C**.

Part 5. Attaching the Ladder Ratchet Straps.

WARNING: DO NOT WRAP THE STRAPS AROUND THE RUNGS! WRAP THEM ONLY AROUND THE LADDER COLUMNS!

Step 1. Attach the two long cross-straps around the top ladder section column just above the top rung as shown in **Figure D**. **MAKE SURE** the long straps come to the **INSIDE** of the two Platform Support Tubes. Wrap the looped end around the column and run the free end through to create a cinch knot (See **Figure E and Figure F**). Repeat for the other side. **WARNING: DO NOT WRAP THE STRAPS AROUND THE RUNGS!**

Step 2. Attach the two shorter straps with the ratchet to the bottom ladder column section. They should attach below the second to the bottom rung as shown in **Figure G**. Wrap the end with the ratchet around the column and run it through the loop to create a cinch knot as shown in **Figure H and Figure I**.

Step 3. Attach the last ratchet strap to the Lower Seat Support Assembly as shown in **Figure J**. Attach the remaining 7' strap on the other side of the Seat Support as shown in **Figure K**.

Section 2. Using Your Single Shot Ladder Treestand.

WARNING: IT IS REQUIRED THAT AT LEAST THREE PEOPLE INITIALLY SET UP THE LADDER STAND. ALWAYS USE TWO HELPERS!

THE LADDER MUST BE HELD IN PLACE WHILE IT IS RATCHETED TIGHT AND WHILE THE TOP RATCHET IS PUT INTO PLACE! DO NOT USE UNTIL BOTH STRAPS ARE SECURELY ATTACHED!

DO NOT USE ON TREES THAT ARE LEANING OR THAT APPEAR DEAD OR DISEASED! USE ONLY ON LEVEL GROUND!

Part 1. Setting up your Double Barrel Ladder Treestand.

Step 1. Lean the platform up against the tree as shown in **Figure L**. Be sure that the platform is level and that the back of the Seat Frame does not make contact with the tree.

Step 2. Lightly bounce on the first rung to seat the ladder column into the ground before use - have your helpers hold the stand to stabilize it. **Never jump or bounce on ANY other part of the treestand!**

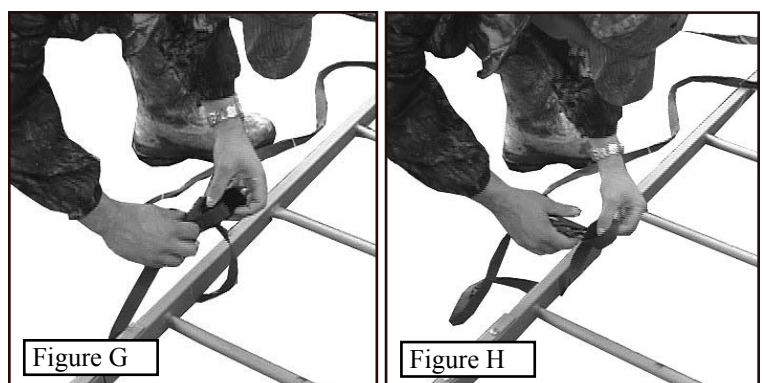
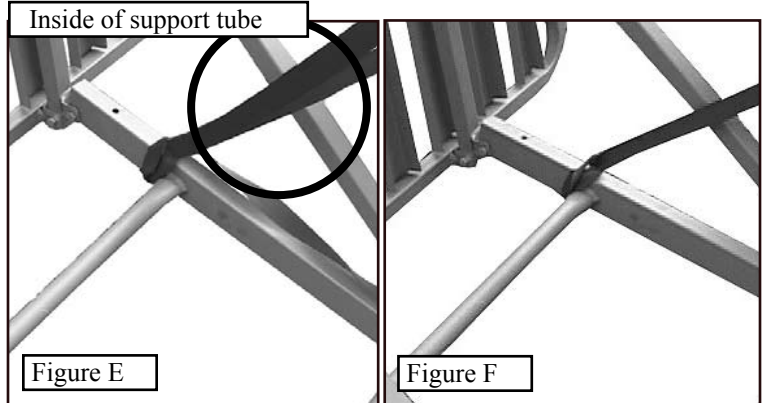
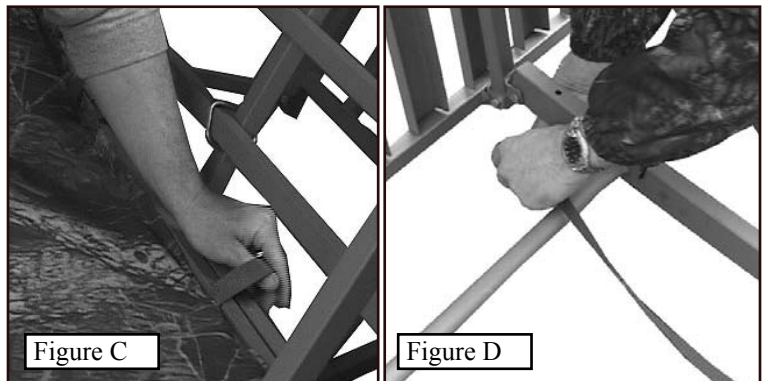
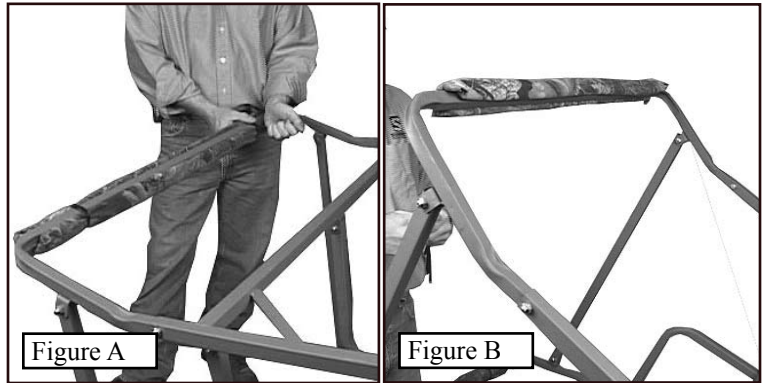
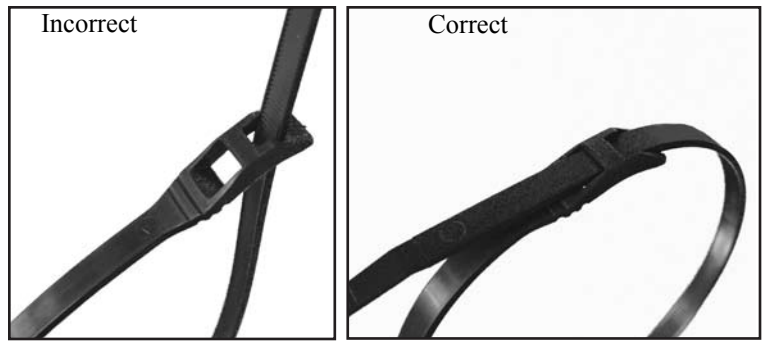
Step 3. While the ladder is held in place by one of your helpers, take each long strap and bring it straight back, then around the tree. Wrap the straps so that they make an X on the back of the tree (See **Figure M**) - connect the left strap to the right ratchet buckle and the right strap to the left ratchet buckle. Pull the strap through the buckle as shown in **Figure N**.

Step 4. Do not tighten until both straps are in place. Alternate between each ratchet until they are tight. Be careful not to overtighten.

Step 5. PUT ON YOUR SAFETY HARNESS if you have not already done so! See the Harness Instructions included with this treestand for directions. HAVE TWO OF YOUR HELPERS HOLD THE LADDER IN PLACE. CAREFULLY CLIMB THE LADDER AND SECURE THE PLATFORM RATCHET STRAP. Reach below the back rest and above the seat as shown in **Figure O.**

Part 2. Using your stand.

Step 1. Climb up and **IMMEDIATELY** attach your safety line above your seating position. Loop the rope around the tree and connect your safety harness to the prussic hitch as shown in **Figure P**. **Refer to the Harness Instructions for proper use of your Summit Safety Harness and Safety Rope.**



WARNING: IF TWO PEOPLE WILL BE USING THE STAND IT IS MANDATORY THAT THEY EACH USE A HARNESS AND A SEPARATE SAFETY ROPE! DO NOT ATTEMPT TO CONNECT TWO HARNESSES TO ONE SAFETY ROPE!!

Step 2. Either have a helper hand you the seat or bring it up with a pull rope. The seat on the Single Shot ladder stand is removable. Wrap the webbing over the frame and buckle as shown in **Figure 24**. The back of the seat has a flexible snap that can be secured over the frame. This will hold the back of the seat upright. **DO NOT** reverse the seat on this Treestand.

WARNING: YOU WILL NOT be connected to a safety rope while you climb into or out of this treestand. USE EXTREME CAUTION while ascending or descending the ladder. Take your time and do not hurry! NOTE: Summit recommends the use of the SOP Climbing System Accessory with all ladder and hang-on treestands. More information on this product can be found on our website - www.summitstands.com - or by calling 256-353-0634.

Section 3. Maintenance and Care of Your Treestand.

Because of the quality construction techniques used in manufacturing, your Summit Treestand Ladder is very durable under normal hunting conditions. However, since all hunting equipment that is exposed to the elements requires some maintenance and care, the following guidelines for caring for your treestand should be used. **DO NOT** leave your treestand outdoors when it is not being used. **Any tubing that is allowed to fill with rainwater and freeze WILL rupture or burst. DO NOT use your treestand if this happens.** If your treestand is exposed to the elements, it will be necessary to cover the seat or remove it to prevent rain and moisture from saturating the material. This will extend the life of the seat material as well as make it more comfortable the next time it is used.

The powder coat finish that is applied at the factory is very durable and should need touch ups only in areas of heavy wear or accidental impact.

Should you damage any part of your Summit Treestand, contact your nearest authorized Summit dealer or the factory to obtain the proper corrective action procedure and/or replacement parts for the treestand. Unauthorized repairs, modifications, or alterations will void the warranty and could degrade the integrity of the treestand. You must perform periodic inspections of the treestand for damage. **WARNING: DO NOT** use the treestand if **ANY** obvious or suspected damage is observed.

CAUTION: Look for nicks, gouges, cuts, cracks, bends, corrosion or similar damage that can be the result of improper use or accidental damage. For instance, this could occur if someone else used the treestand without knowledge of its proper use, or if the treestand were dropped, hit by a motor vehicle or subject to corrosive conditions, etc. Summit Treestands have the highest structural integrity by design, material selection and manufacturing techniques, but as its owner, only your continued care will assure trouble free performance. When the above-mentioned guidelines are followed, your Summit Treestand will provide years of successful hunting.

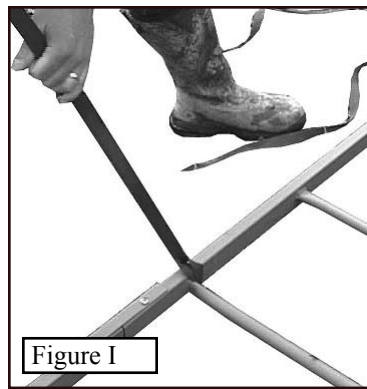


Figure I

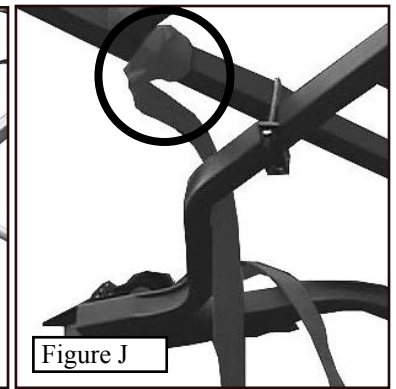


Figure J

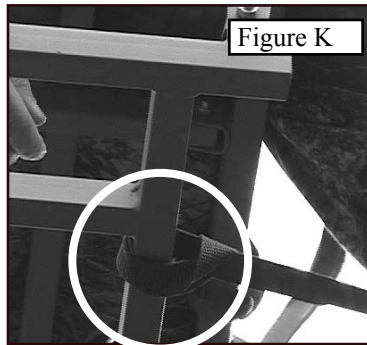


Figure K

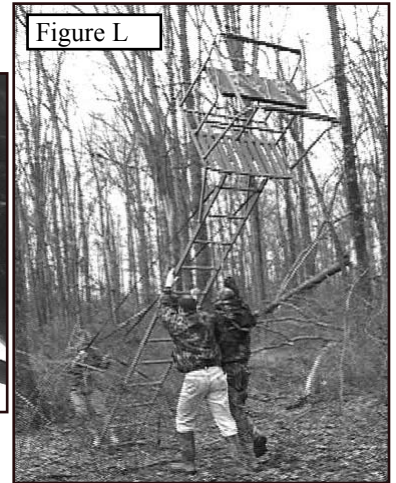


Figure L

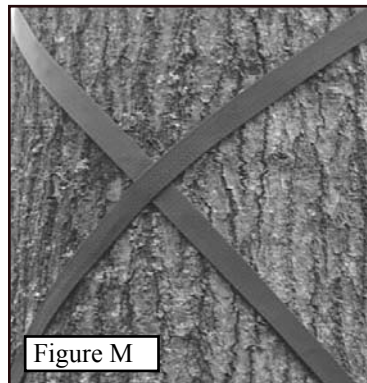


Figure M

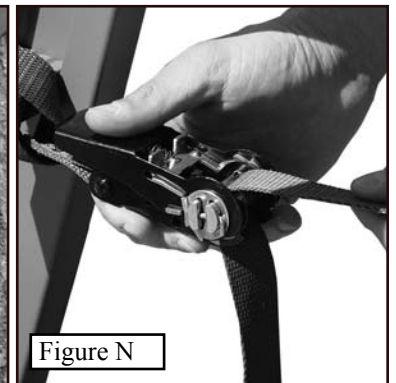


Figure N



Figure O

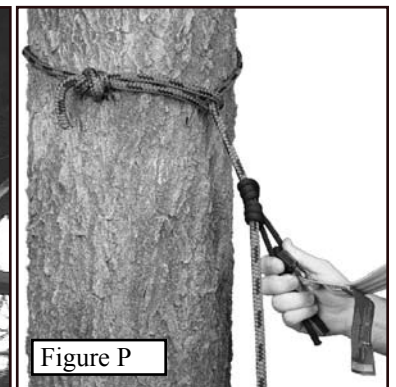


Figure P

Warning

Before each use of your Summit Double Barrel, ALWAYS inspect the stand for any structural damage, cracks, cable wear or abrasion that may have occurred in transporting your stand. DO NOT USE IF ANY DAMAGE IS FOUND! DO NOT leave your stand outdoors when it is not being used. Any tubing that is allowed to fill with rainwater and freeze WILL rupture or burst. DO NOT use your Stand if this happens.

Harness Suspension

It is necessary and very important that someone knows your hunting location and time of return. It is also very important that you carry (on your person) emergency communication devices such as a cell phone, two-way radio, whistle, signal flare or preferably a PLD (Personal Locator Device - FCC approved July, '03). When triggered, a PLD will transmit an emergency signal to local rescue teams identifying your location via satellite GPS coordinates. Wilderness outfitters and the internet are sources for these PLD's.

Suspension trauma or blood pooling can occur when suspended motionless in a harness for periods of time. This can lead to unconsciousness. **WARNING: IF YOU HAVE TO HANG IN THE TREE BEFORE HELP ARRIVES, YOU NEED TO EXERCISE YOUR LEGS BY PUSHING OFF FROM THE TREE OR BY USING THE ENCLOSED SUSPENSION RELIEF STRAP. SEE THE TREESTAND HARNESS INSTRUCTIONS AND THE ENCLOSED INSTRUCTIONS FOR MORE INFORMATION.**

Self extraction may be necessary in the unfortunate situation that A) No one knows your location, B) Your communication efforts are exhausted, and C) You're confident that you have the strength, dexterity and ability to perform self-extraction and D) You decide this is your "absolute last resort". It is necessary to carry a device to assist with this self-extraction. Simple devices such as screw-in steps or a rope "Tree Descender" (available from Summit) will allow you to remove the weight from your harness. This may enable you to return to the treestand/ladder/climbing steps or slowly descend the tree.

Good Hunting and Hunt Safe!

HUNT TOMORROW...

...USE YOUR SAFETY HARNESS TODAY!

©(STLLC 2007)

Summit products are manufactured under one or more of the following US Patents: 5,937,969; 5,971,104; 5,975,242; 5,979,603; 6,125,966; 6,182,792; 6,397,973; D,417,011; D,420,147

Summit Bucksteps and RapidClimb Stirrups are Patent Pending

Parts List

BOX CONTENTS

PN	Description	QTY
10960	Platform Assembly	1
10961	Lower Seat Support Assembly	1
10962	Seat Back Support Assembly	1
10963	Gun Rest / Seat Back Assembly	2
10964	Yolk Assembly	1
10965	Ladder Column	3
10966	Seat Frame Assembly	1
10967	"L" Shaped Seat Tube	3
10968	Seat Support Crossmember (40.75" Long)	1
10969	Arm Rest Tube (32.5" Long)	2
10971	Gun Rest Support Tube (35" Long)	2
10945	Coupler Plate	4
85079	Foam Seat	1
72026	Accessory Packet	1

Limited Warranty

(A) Warranty

Summit Treestands, LLC (Summit) warrants to the original retail purchaser that all products manufactured by it are free from defects in material and manufacture at the time of shipment for sixty (60) months from the date of purchase. Summit will repair or replace any part found defective if the unit claimed to be defective shall be returned to Summit, postage prepaid, within the warranty period.

This warranty shall not apply to any product which has been subjected to misuse; misapplication; neglect (including but not limited to improper maintenance); accident; improper installation; modification (including but not limited to use of unauthorized parts or attachments); adjustment or repair. THE FOREGOING IS IN LIEU OF ALL OTHER WARRANTIES, WHETHER EXPRESS OR IMPLIED (INCLUDING THOSE OF MERCHANTABILITY AND FITNESS OF ANY PRODUCT FOR A PARTICULAR PURPOSE), AND OF ANY OTHER OBLIGATION OF LIABILITY ON THE PART OF THE COMPANY.

(B) Limitation of Liability

It is expressly understood that Summit's liability for its products, whether due to breach of warranty, negligence, strict liability, or otherwise, is limited to the repair of the product, as stated above, and Summit will not be liable for any other injury, loss, damage, or expense, whether direct or consequential, including but not limited to loss of use, income, profit, or damage to material, arising in connection with the sale, installation, use of, inability to use, or the repair or replacement of Summit's products.

Summit reserves the right to make alterations or modifications in its products at any time, which in its opinion, may improve the performance and efficiency of the product. It shall not be obligated to make such alterations or modifications to products already in service.

Please fill out the warranty card on the back of these instructions and return to:

SUMMIT Treestands, LLC.
715 Summit Dr.
Decatur, AL 35601

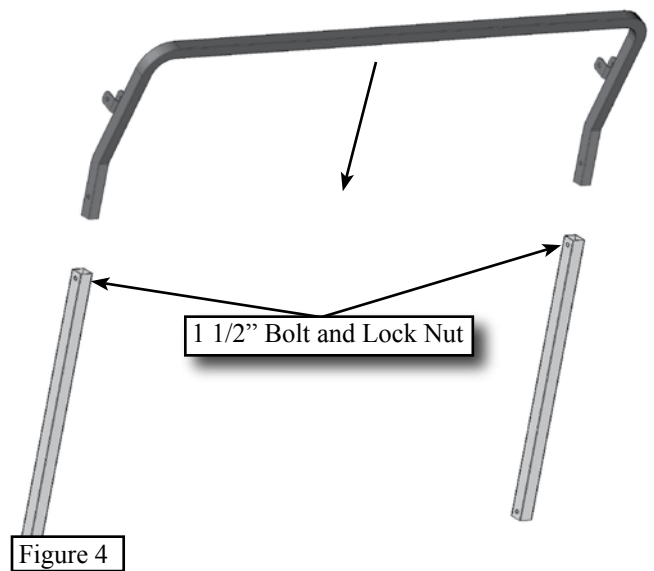
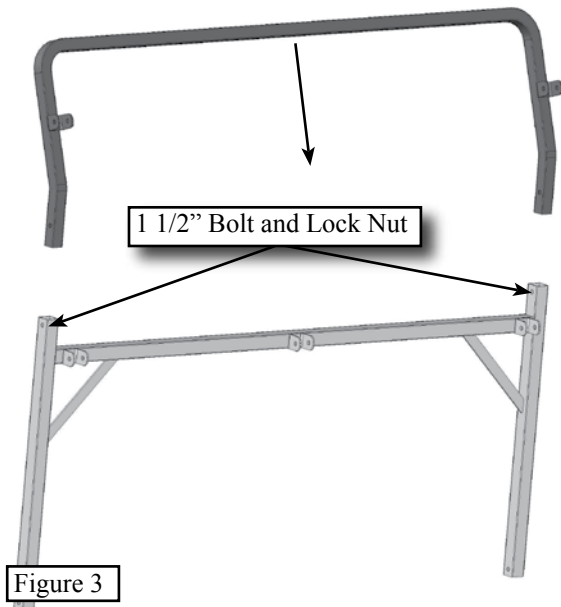
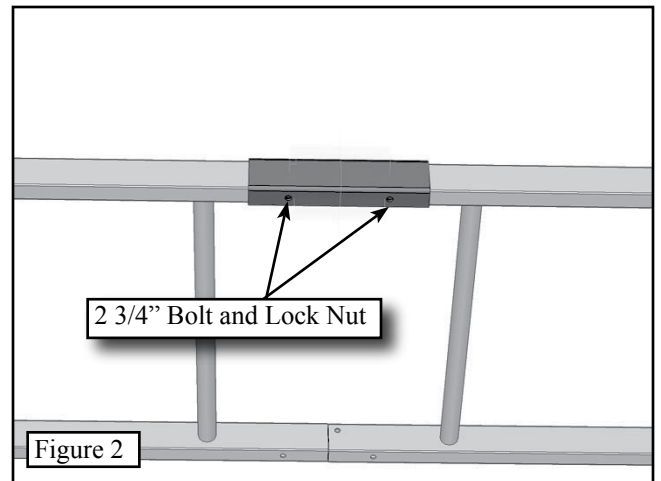
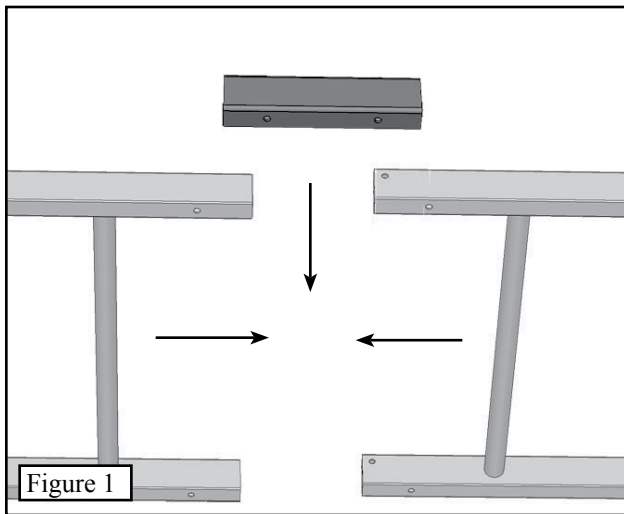
72026 ACCESSORY PACKET CONTENTS

PN	Description	QTY
50534	Long ladder strap w/sewn in loop	2
50535	Ladder strap ratchet	3
50536	7' ladder strap w/sewn in loop	1
83032	Summit 4 point Safety Harness	2
83023	Safety line with Prussic Hitch	2
10512	Locking clip for safety line / harness	2
10953	Suspension Relief Strap with instructions	2
74225	36" Gun Rest / Back Rest bar pad	2
85051	In-line Cable ties for pad	6
	2007 Instructional DVD	1
	Written instructions for this Treestand	1
	Written instructions for the Harness	1
22026	Hardware Kit Double Barrel Ladder (see Next Page)	1

22026 HARDWARE KIT DOUBLE BARREL LADDER

PN	Description	QTY
10610	2 3/4" Bolt (5/16 -18)	14
10611	1 1/2" Bolt (5/16 -18)	4
10615	1 3/4" Bolt (5/16 -18)	20
10617	Centerlock Nut (5/16 -18)	38

PN	Description	QTY
10973	1/4" U-Bolt	6
	1/4" Centerlock Nut	12
	Backing Plate	6



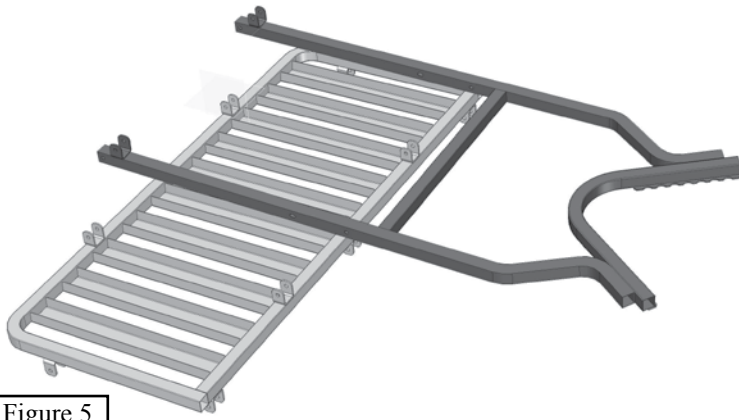


Figure 5

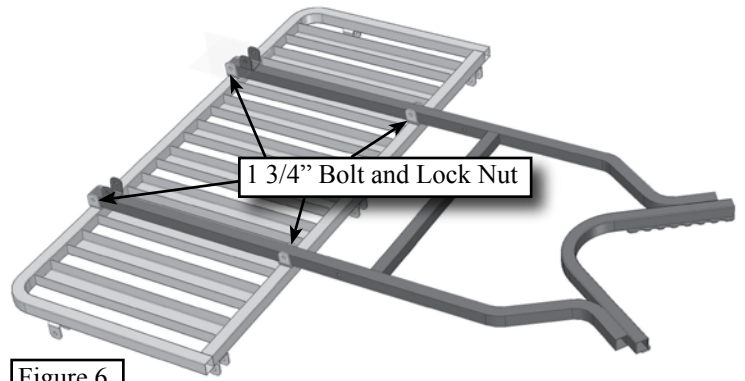


Figure 6

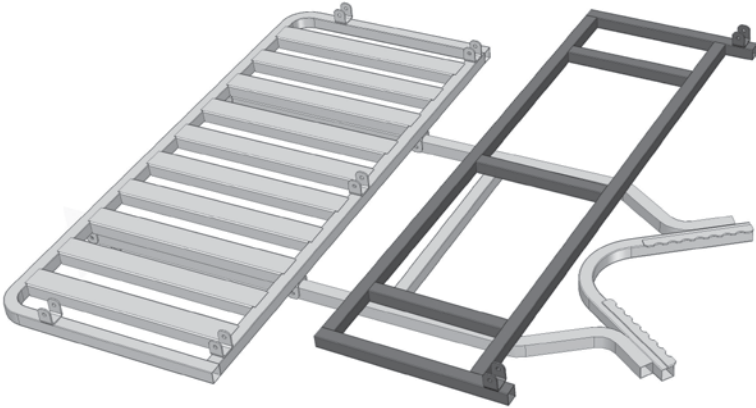


Figure 7

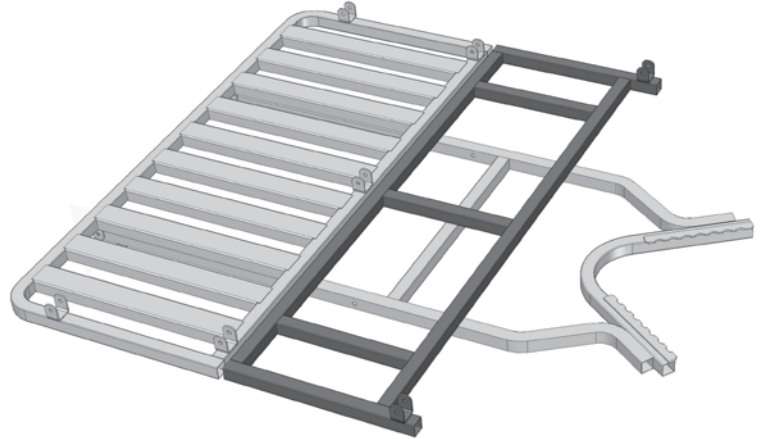


Figure 8

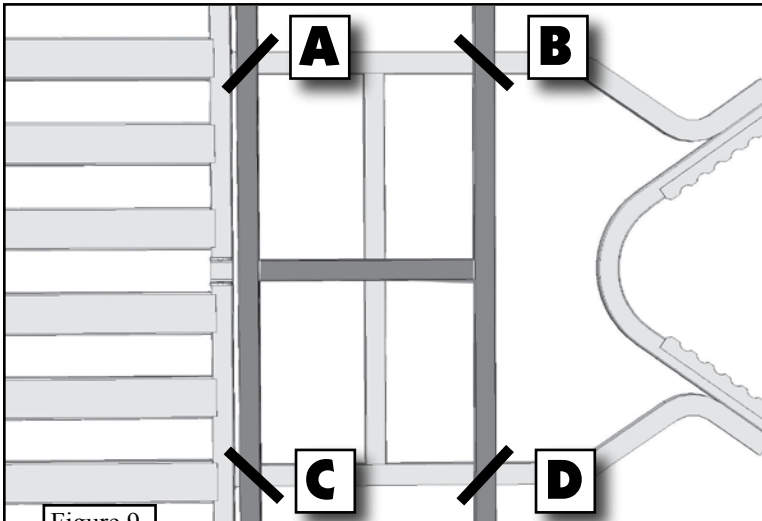


Figure 9

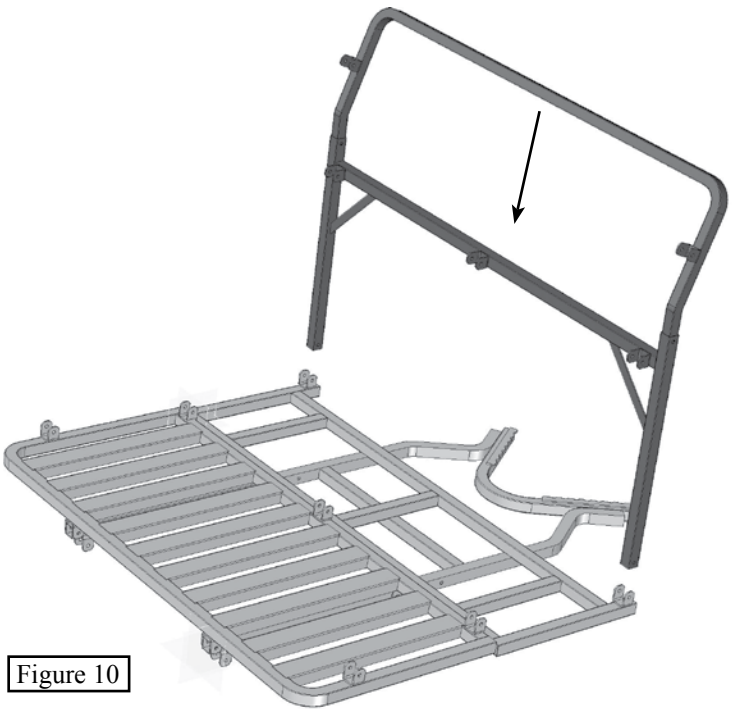
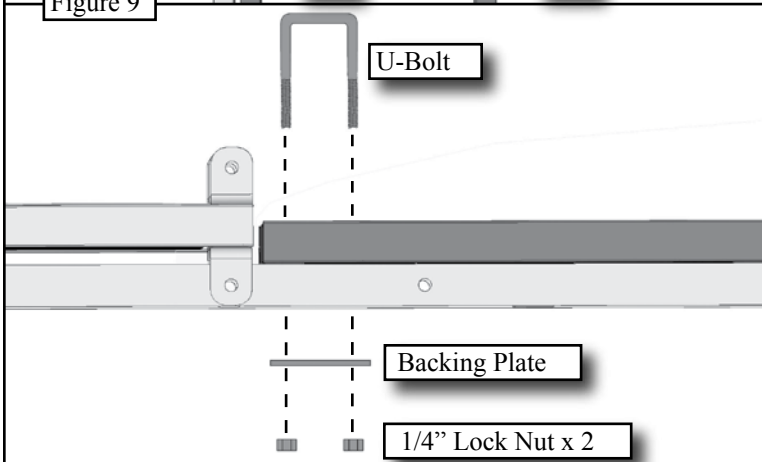


Figure 10

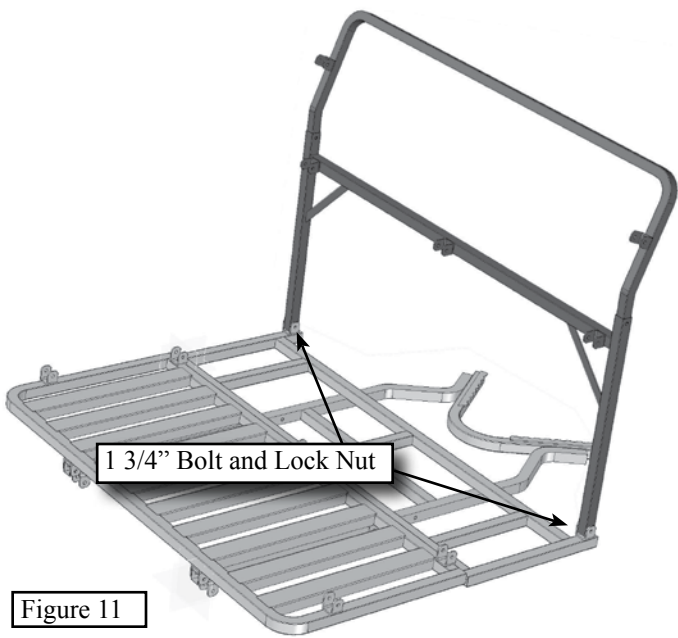


Figure 11

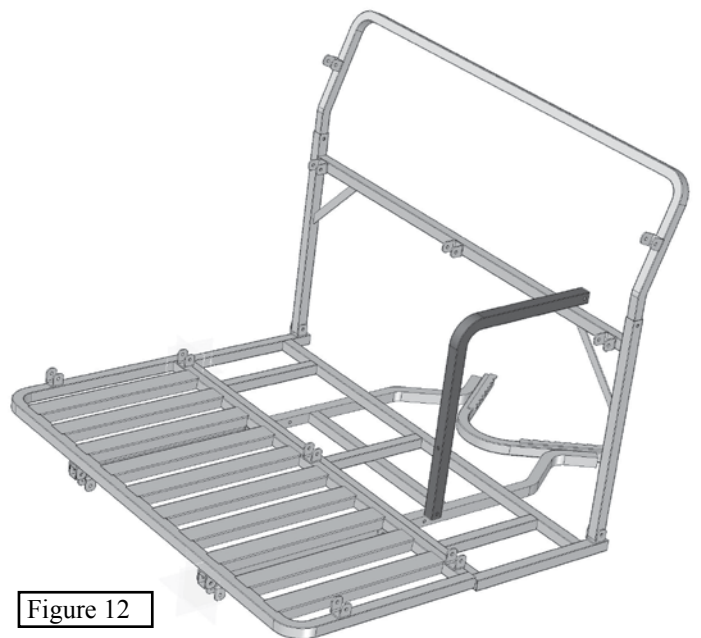


Figure 12

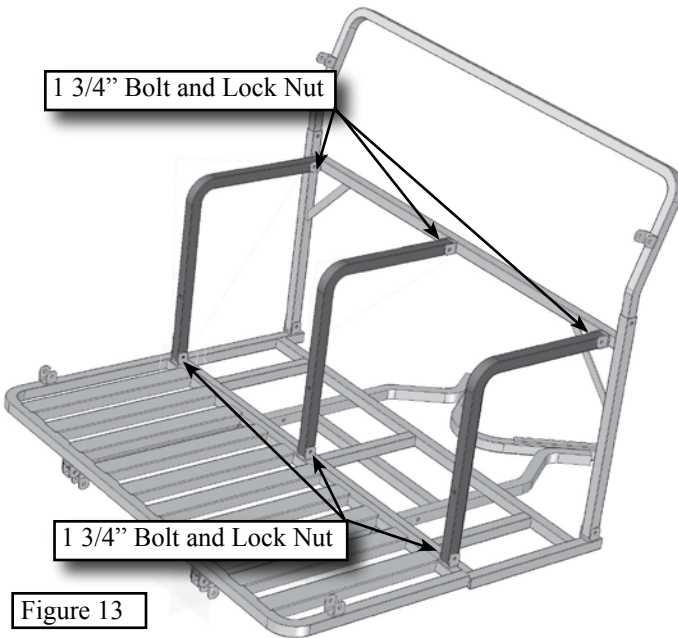


Figure 13

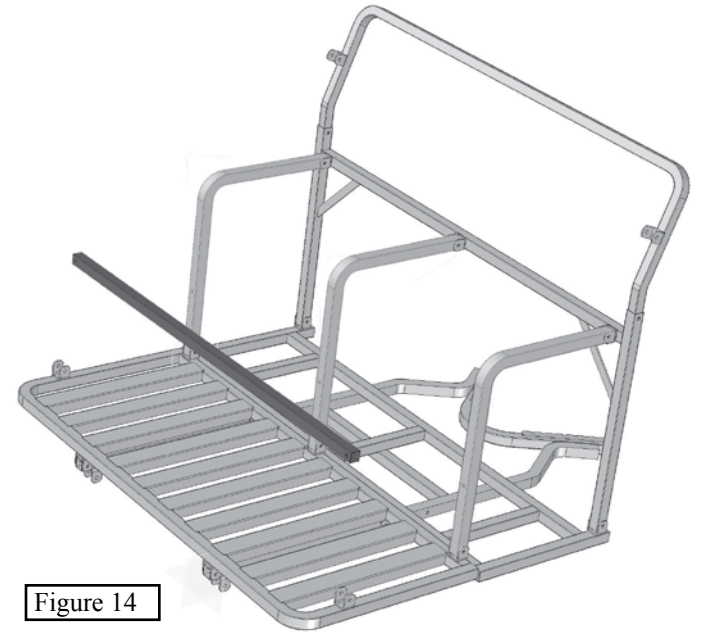


Figure 14

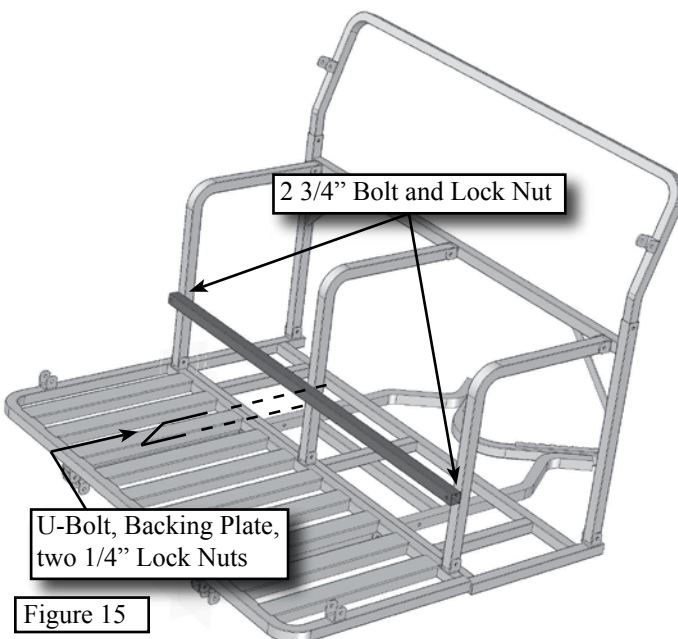


Figure 15

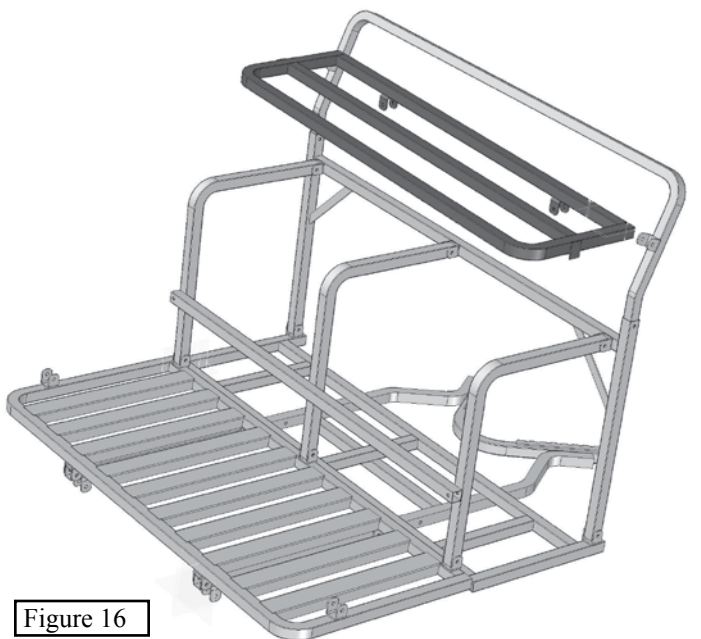


Figure 16

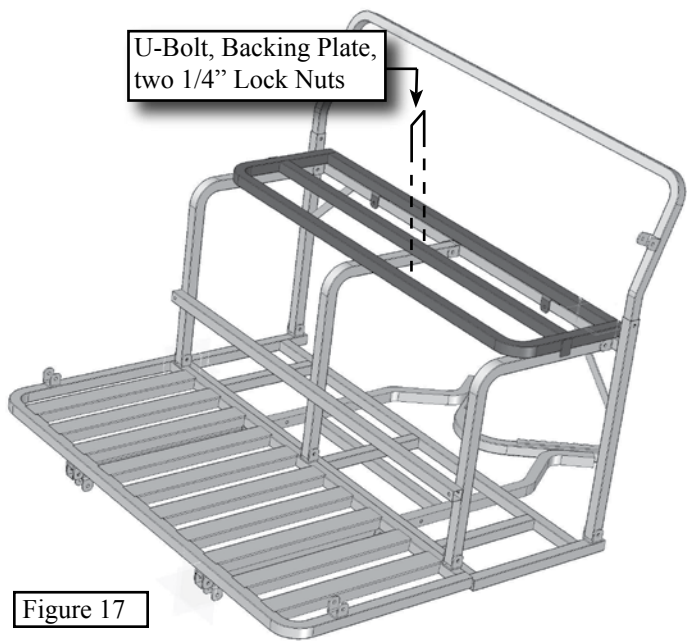


Figure 17

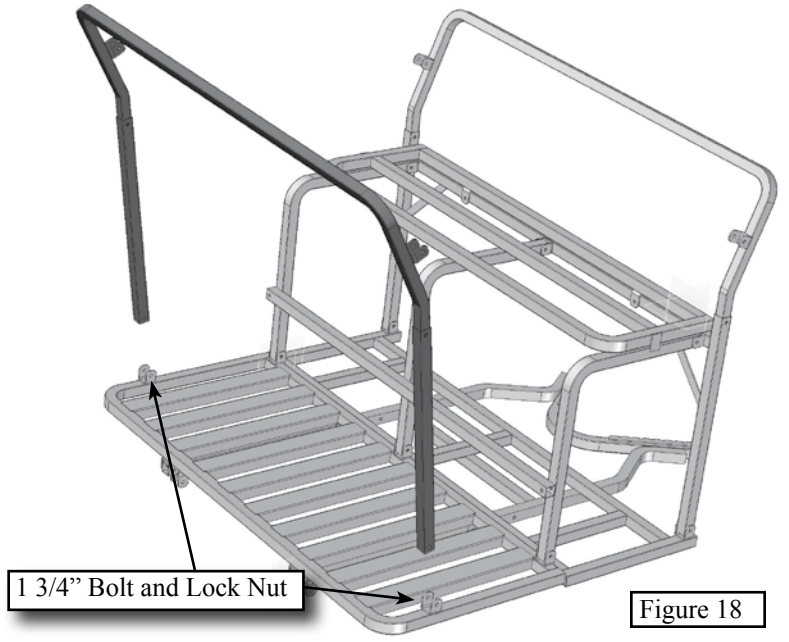


Figure 18

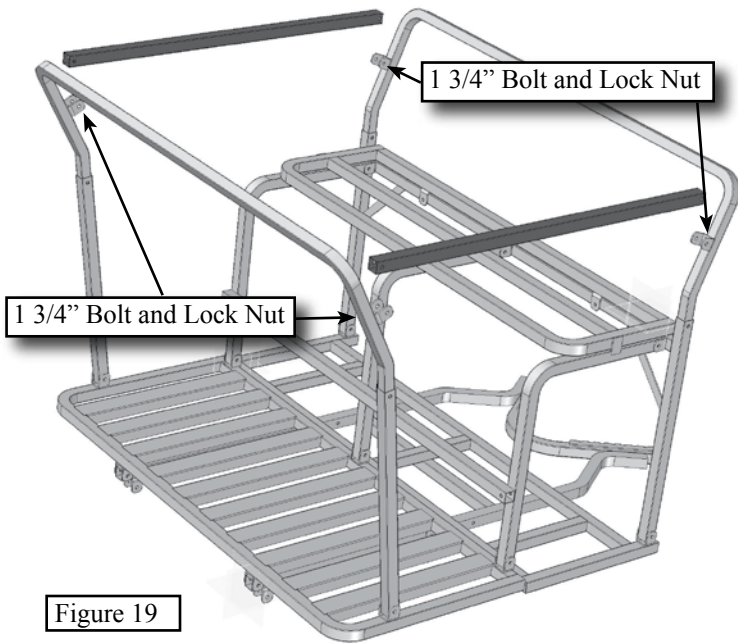


Figure 19

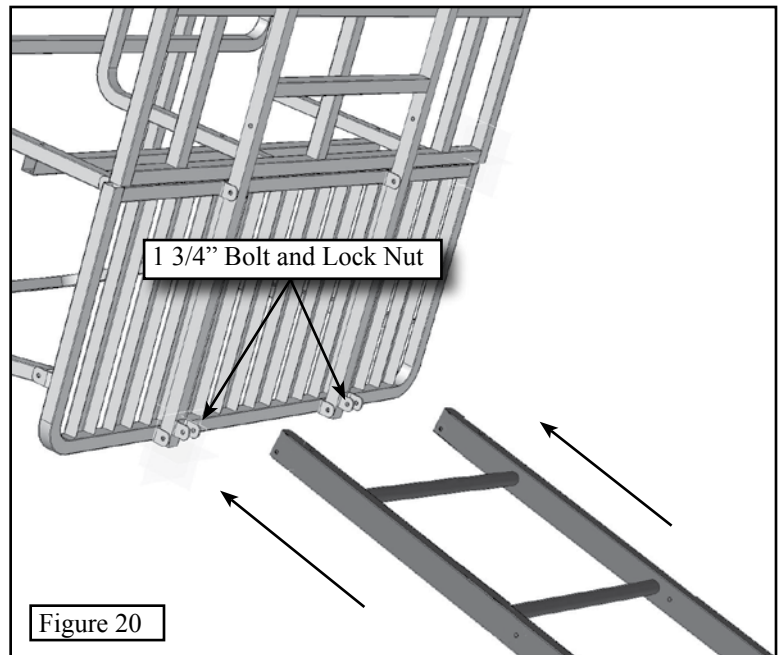


Figure 20

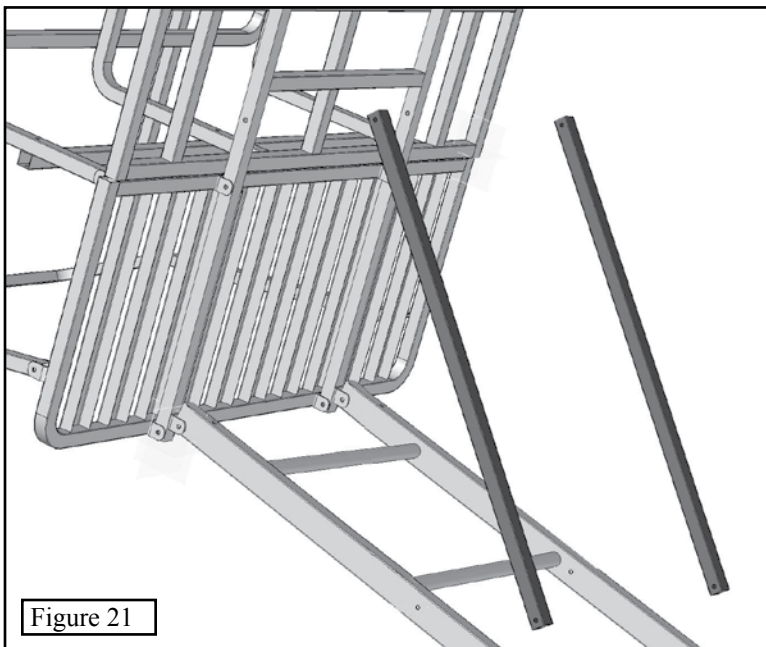


Figure 21

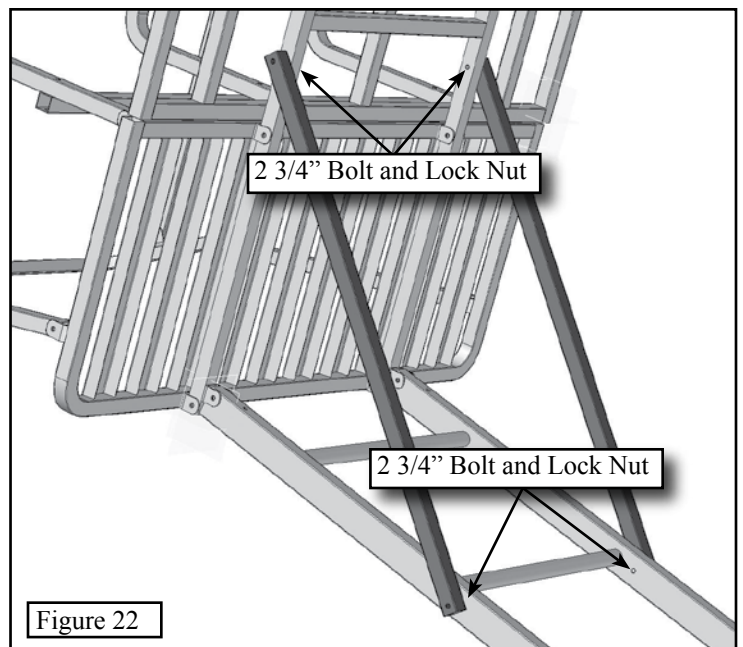
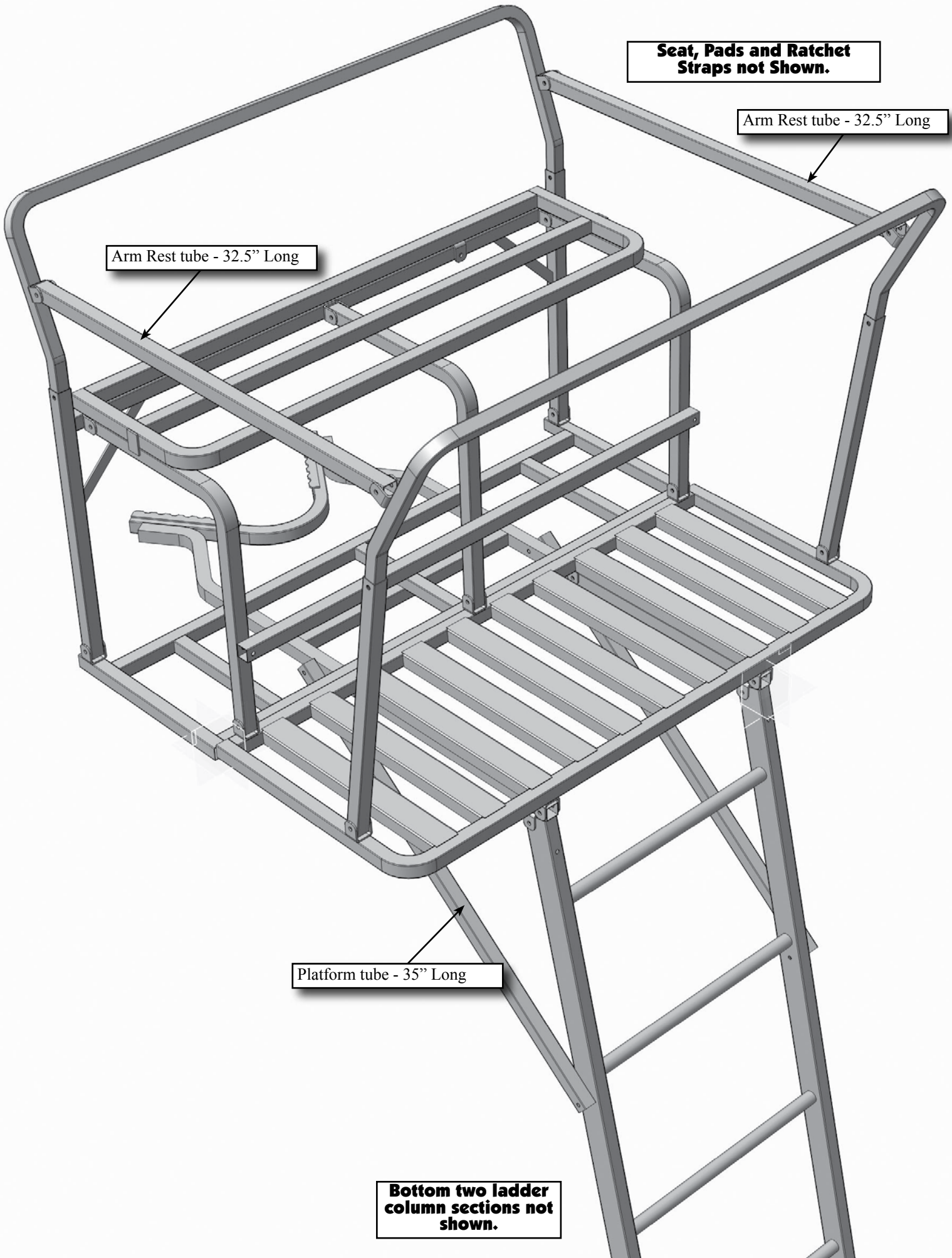


Figure 22



Seat, Pads and Ratchet Straps not Shown.

Arm Rest tube - 32.5" Long

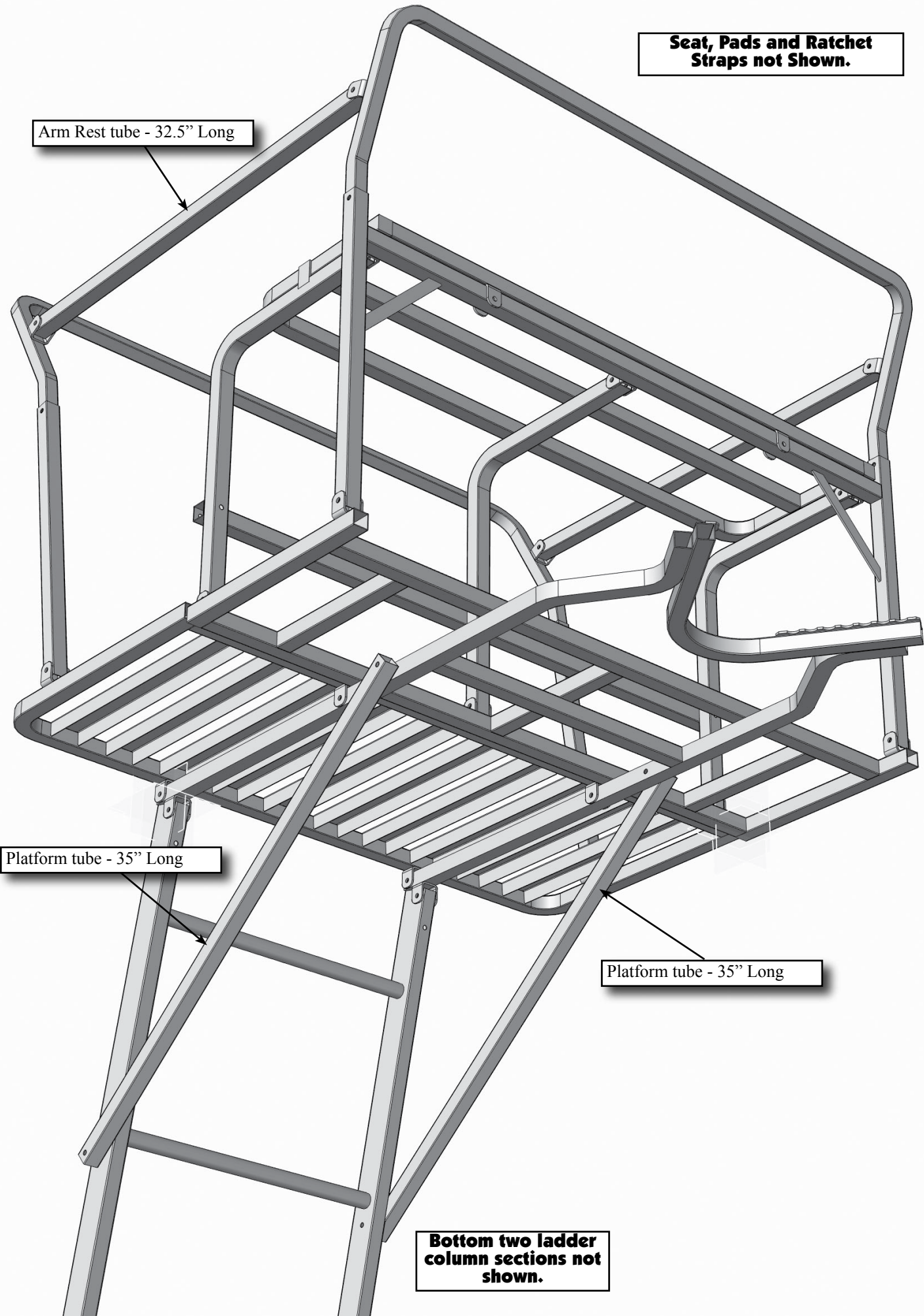
Arm Rest tube - 32.5" Long

Platform tube - 35" Long

Bottom two ladder column sections not shown.

Seat, Pads and Ratchet Straps not Shown.

Arm Rest tube - 32.5" Long



Platform tube - 35" Long

Platform tube - 35" Long

Bottom two ladder column sections not shown.



SUMMIT
EST. 1981
TREESTANDS

**Visit us on the web at
www.summitstands.com
for accessories and
upgrades!**



Cut Along Line

Cut Along Line

Warranty Card for Summit Treestand

Treestand Purchased: Summit Double Barrel (PN 82026)

Owners Name: _____ Street Address: _____

City: _____ State: _____ ZIP: _____ Phone: (____) _____

Date Purchased: _____ Purchased From (Dealer Name): _____ Price \$: _____

Your heard about us through: Magazine Advertisement Video Friend Summit Catalog

Other Please Explain: _____

You can also register your warranty card on line at: www.summitstands.com/warranty.aspx