



SUMMIT
EST. 1981
TREESTANDS

Double X-Pod - Instruction Booklet - 2007

You **MUST** also view the enclosed DVD **BEFORE** using your new stand!!

Weight Limit: 250 lbs. X 2 Total. **DO NOT EXCEED THIS LIMIT!**

READ ME FIRST!!!

Please read carefully **BEFORE** using your new Double X-Pod Stand.

Congratulations! You have purchased the finest commercially available pod stand on the market today. Summit Pod Stands are designed and built to provide years of trouble-free, successful hunting with a minimum of maintenance and care. It is certified to meet the requirements of the Treestand Manufacturers Association (TMA) Standards This booklet is provided to you to outline the recommended use, care and maintenance of your Summit Pod Stand.

Warnings and Precautions

- **IT IS IMPORTANT TO NOTE THAT A FALL CAN OCCUR AT ANY TIME AFTER LEAVING THE GROUND!**
- **YOU MUST FULLY READ, UNDERSTAND AND FOLLOW THESE INSTRUCTIONS! PLEASE CONTACT SUMMIT TREESTANDS IF YOU HAVE ANY QUESTIONS ON THE USE OF THIS PRODUCT! FAILURE TO FOLLOW THESE INSTRUCTIONS MAY CAUSE SERIOUS INJURY OR DEATH!!**
- **DO NOT USE THIS OR ANY OTHER STAND IF YOU HAVE BEEN USING DRUGS (EVEN PRESCRIPTION) OR ALCOHOL OR ARE PHYSICALLY IMPAIRED IN ANY WAY! NEVER USE A TREESTAND WHEN FEELING ILL, NAUSEOUS OR DIZZY!**
- **FOR YOUR SAFETY, DO NOT USE ANY STAND DURING RAIN, LIGHTNING, WINDSTORMS OR WHEN IT IS ICY OR WET.**
- **DO NOT USE ANY TREESTAND IF YOU HAVE NOT FOLLOWED THE MANUFACTURERS CARE AND MAINTENANCE GUIDELINES! NEVER MODIFY YOUR STAND BY MAKING REPAIRS, REPLACING PARTS, ALTERING PARTS OR ATTACHING ANYTHING TO IT UNLESS EXPLICITLY AUTHORIZED BY SUMMIT TREESTANDS!**
- **ALWAYS INSPECT THE STAND / CABLE SYSTEM OR HANGING STRAPS AND ANY SAFETY GEAR BEFORE EACH USE! IF ANY PROBLEMS ARE FOUND - DO NOT USE THE STAND! CONTACT CUSTOMER SERVICE FOR THE APPROPRIATE REPAIR / REPLACEMENT PROCEDURE!**
- **PRIOR TO HUNTING: YOU MUST NOTIFY SOMEONE OF YOUR HUNTING LOCATION AND WHEN YOU WILL RETURN! A SIGNAL DEVICE SUCH AS A MOBILE PHONE, RADIO, WHISTLE, SIGNAL FLARE OR PERSONAL LOCATOR DEVICE (PLD) MUST BE ON YOUR PERSON AT ALL TIMES!**
- **DO NOT USE ANY STAND UNLESS YOU ARE IN GOOD PHYSICAL SHAPE. THE ABILITY TO DO SEVERAL PUSH-UPS, CHIN-UPS, SIT-UPS, ETC. IS REQUIRED FOR YOUR SAFETY!**
- **ALWAYS USE A HAUL LINE TO RAISE AND LOWER UNLOADED FIREARMS AND BOWS! FIREARMS MUST BE PULLED UP UNLOADED, CHAMBER OPEN AND MUZZLE DOWN!**
- **NEVER CLIMB WITH ANYTHING IN YOUR HANDS OR ON YOUR BACK - USE A HAUL LINE!**
- **PRACTICE USING YOUR TREESTAND AND SAFETY HARNESS AT A LOW LEVEL (5 FEET) UNTIL YOU MASTER ITS USE!**
- **BE WELL RESTED AND NEVER GET IN A HURRY. HURRYING CAUSES ACCIDENTS!!**
- **INSTRUCTIONS (WRITTEN AND VIDEO) SHOULD BE REVIEWED AT LEAST ANNUALLY. IF YOU LOAN OR SELL THIS TREESTAND, IT IS YOUR RESPONSIBILITY TO FURNISH THE BUYER A COPY OF THESE INSTRUCTIONS AND THE VIDEO THAT CAME WITH THE TREESTAND. MAKE SURE THEY WATCH THE VIDEO AND READ / UNDERSTAND THE INSTRUCTIONS!**
- **CHECK EVERY LADDER SECTION CONNECTION EVERY TIME YOU USE THE STAND. IF ANY LADDER SECTIONS ARE SEPARATING - DO NOT USE THE STAND!**
- **CHECK THE GROUND UNDER THE STAND TO MAKE SURE IT IS FIRM AND LEVEL. SLOPING GROUND OR AN UNEVEN SURFACE (ONE LADDER SECTION ON A ROCK) CAN CAUSE YOUR STAND TO TILT OR SHIFT AS YOU CLIMB!**
- **MAINTAIN THREE POINTS OF CONTACT WHEN YOU CLIMB THE LADDER SECTION OF THIS STAND!**

Warning

Before each use of your Summit Double X-POD, **ALWAYS** inspect the stand for any structural damage, cracks, cable wear or abrasion that may have occurred in transporting your stand. **DO NOT USE IF ANY DAMAGE IS FOUND! DO NOT** leave your stand outdoors when it is not being used. **Any tubing that is allowed to fill with rainwater and freeze WILL rupture or burst. DO NOT use your Stand if this happens.**

Section 1. Assembling Your Double X-Pod Stand.

Please refer to page 4 in this instruction booklet for parts lists. Please contact us at www.summitstands.com or 256-353-0634 to obtain any missing parts or if your DVD does not work.

Part 1. Support Assembly.

Step 1. Position the two upper and the two lower support columns as shown in **Figure 1**. Please note the correct orientation of the welded brackets.

Step 2. Line up the holes and lay one coupler plate across the joint. Bolt together using one 2 3/4" long bolts with lock nut (**See Figure 2**).

Step 3. Repeat for other side.

Step 4. Lay one 72" support across the Support Assembly from **Bolt Hole B to C** (**See Figure 3**). Secure hand tight using two 2 3/4" bolts and lock nuts.

Step 5. Lay one 72" support across the Support Assembly from **Bolt Hole D to E** (**See Figure 3**). Secure hand tight using two 2 3/4" bolts and lock nuts.

Step 6. Carefully flip Support Assembly over.

Step 7. Lay one 72" support across the Support Assembly from **Bolt Hole A to D** (**See Figure 4**). **NOTE:** Bolt D is shared between the support put on in previous **Step 5**. Remove Bolt D, attach the support and reinstall hand tight. Use one 2 3/4" bolt and lock nut to secure Bolt A.

Step 8. Lay the remaining 72" support across the Support Assembly from **Bolt Hole C to F** (**See Figure 4**). **NOTE:** Bolt C is shared between the support put on in previous **Step 4**. Remove Bolt C, attach the support and reinstall hand tight. Use one 2 3/4" bolt and lock nut to secure Bolt F.

Step 9. SECURELY TIGHTEN BOLTS A-F!!! Flip Support Assembly back over.

Your Finished Support Assembly should look like Figure 5.

Part 2. Seat Rail Support Assembly.

Step 1. Orient the Left Seat Rail tube and the Seat Rail Connector as shown in **Figure 6**.

Step 2. Slide the Seat Rail Connector into the Seat Rail tube and line up the holes. Bolt together using one 1 1/2" bolt and lock nut.

Step 3. Orient the Right Seat Rail tube as shown in **Figure 7**. Slide the Seat Rail onto the Seat Rail Connector and line up the holes. Bolt together using one 1 1/2" bolt and lock nut. The finished Seat Rail Support should look like **Figure 8**.

Step 4. Line up the finished Seat Rail Support Assembly and the Main Support Assembly (**from Part 1**) as shown in **Figure 9**. Bolt together using one 1 1/2" bolt and lock nut per side.

Step 5. Position the two Seat Rail Support Tubes as shown in **Figure 10**.

Step 6. Attach the Support Tubes at the upper hole using one 1 1/2" bolt and lock nut each. Run the bolts from the inside out so that the head of the bolt is on the inside. Attach the Support Tubes at the lower hole using one 1 3/4" bolt and lock nut each.

Part 3. Platform Assembly.

Step 1. Position the platform and the two long flat metal Support Bars as shown in **Figure 11**.

Step 2. Secure the Support Bars to the platform using two 1 1/2" bolts and lock nuts.

Step 3. Orient the Platform Assembly and the Support / Seat Rail Assembly as shown in **Figure 12**.

Step 4. Attach the Platform Support bars to the pre-punched holes in the Support Tubes (**Figure 13**). Use two 1 1/2" bolts with lock nuts to secure. Run the bolts from the inside out to put the bolt on the outside of the stand.

Step 5. Attach the Platform to the Seat Rail Support Tubes also shown in **Figure 13**. Use two 2 3/4" bolts and lock nuts to secure.

Part 4. Platform to Seat Rail Support Assembly.

Step 1. Position the two L shaped Support tubes as shown in **Figure 14**.

Step 2. Secure each Support using two 1 3/4" bolts and lock nuts as shown in **Figure 15**.

Step 3. Position the Seat Tube Support Bar as shown in **Figure 16**. The bar should be positioned just below the 90 degree bend as shown in **Figure 16**. Secure using two self tapping screws.

Part 5. Ladder Assembly.

Step 1. Arrange one upper ladder support column and three ladder rungs as shown in **Figure 17**.

Step 2. Use three 1 3/4" bolts with lock nuts to secure the rungs to the support column. Hand tighten these bolts.

Step 3. Place the remaining upper ladder support column on the three rungs as shown in **Figure 18**. Use three 1 3/4" bolts with lock nuts to secure - Hand tighten these bolts.

Step 4. Arrange one lower ladder support column and five ladder rungs as shown in **Figure 19**. Use five 1 3/4" bolts with lock nuts to secure the rungs to the support column. Hand tighten these bolts.

Step 5. Place the remaining lower ladder support column on the five rungs as shown in **Figure 20**. Use five 1 3/4" bolts with lock nuts to secure the rungs to the support column. Hand tighten these bolts.

Step 6. Arrange the upper and lower ladder support columns as shown in **Figure 21**. Line up the holes and lay one coupler plate across the joint. Bolt together using two 2 3/4" long bolts and lock nuts.

Step 7. Once the coupler plates are secured - **SECURELY TIGHTEN BOLTS FROM STEP 2, 3, 4 and 5.**

Step 8. Repeat for other side.

Part 6. Ladder to Support Assembly.

Step 1. Position the Ladder Assembly and the Support Assembly as shown in **Figure 22**. Slide the Ladder between the two mounting tabs and secure with two 1 1/2" bolts with lock nuts.

Step 2. Position one cross brace between the Ladder Assembly and the Support Assembly as shown in **Figure 23**. Hand tighten Bolt B using one 1 3/4" bolt and lock nut.

Step 3. Position the cross brace so that it lines up with **Bolt Hole A**. This will require you to push in on the brace. Use one 1 3/4" bolt and lock nut to secure. **SECURELY TIGHTEN THE BOLT FROM STEP 3.**

Step 4. Repeat for other side.

Part 7. Gun Rest Assembly

Step 1. Position the Gun Rest bar as shown in **Figure 24**.

Step 2. Use **Figure 25** for exploded view. Run one 2 1/2" carriage bolt from the inside of the Seat Rail Support through the welded bracket.

Step 2. Align one Adjustment Bracket on the outside of the welded bracket. Slide the Adjustment Bracket over the Carriage bolt and seat it on the welded bracket.

Step 3. Slide one Neoprene washer over the Carriage bolt.

Step 4. Align the other Adjustment Bracket so that the teeth face inward. Slide this over the Carriage bolt.

Step 5. Align the Gun Rest tube with the slot in the Adjustment Bracket and slide it over the Carriage bolt and seat it into the Adjustment Bracket.

Step 6. Screw on the large knob to secure.

Step 7. Repeat for other side.

WARNING: THE GUN REST ASSEMBLY IS NOT TO BE USED AS A HAND HOLD WHILE CLIMBING INTO THE STAND!!!

Step 8. Position the Gun Rest bar pad as shown in **Figure A**. Use three cable ties to secure the pad. Note the Correct and Incorrect way of attaching. Pull the cable ties snug and trim off the excess. Rotate the clasp to the underside of the pad.

Part 8. Attaching the Seats.

Step 1. Pull the seats up using a pull up rope.

Step 2. The seats on the Double X-Pod will attach at the locations illustrated in **Figure B**. The inside webbing on each seat **MUST** attach between the back of the Seat Rail Support Tubes and the screwed on Support Bar.

Step 2. Loop the webbing over the frame from the inside out. Secure the seat buckles as shown in **Figure C**. Turn the three bar slide sideways and push it through the larger D shaped ring.

Step 3. The seat back has a sewn in strap that attaches around the back of the Seat Support bar. Snap the strap in place.

WARNING: THE GUN REST ASSEMBLY IS NOT TO BE USED AS A HAND HOLD WHILE CLIMBING INTO THE STAND!!! ALWAYS PIVOT THE GUN REST BEHIND YOU BEFORE YOU EXIT THE STAND!

Part 9. Attaching the Ladder Ratchet Straps.

WARNING: DO NOT WRAP THE STRAPS AROUND THE RUNGS! WRAP THEM ONLY AROUND THE UPPER SUPPORT COLUMNS!

Have two helpers aid you in setting the stand up and holding it when you first climb into the stand.

Step 1. Attach the two long cross-straps around the Support Assembly as shown in **Figure D**. This strap should attach **ABOVE** the U-Bracket where the arm rest support tube is bolted and **BELOW** the Platform. Wrap the looped end around the column and run the free end through to create a cinch knot (See **Figure E** and **Figure F**). Repeat for the other side. **WARNING: DO NOT WRAP THE STRAPS AROUND THE RUNGS!**

Step 2. Drill the supplied augers into the soil. The augers should angle slightly away from the ladder. The distance from the augers to the stand will vary but it should be **AT LEAST 15 FEET** to the side - greater if possible.

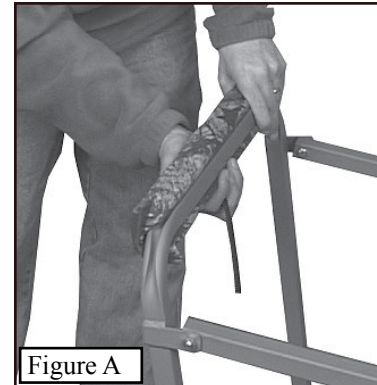
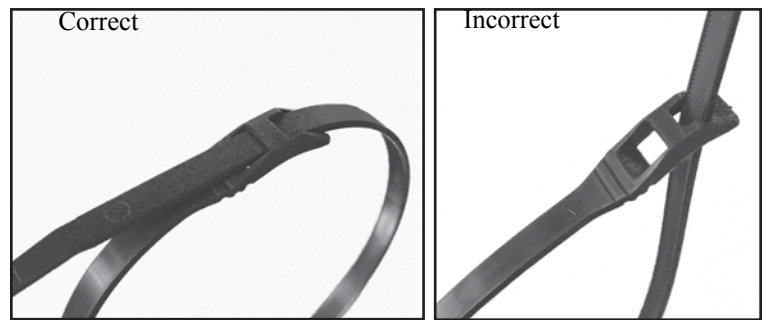


Figure A

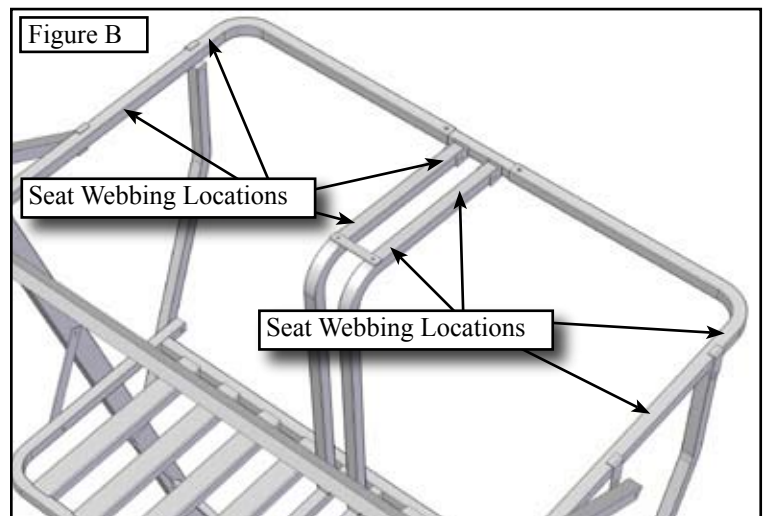


Figure B

Seat Webbing Locations

Seat Webbing Locations

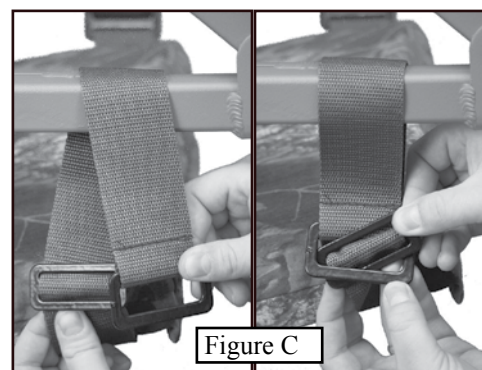


Figure C

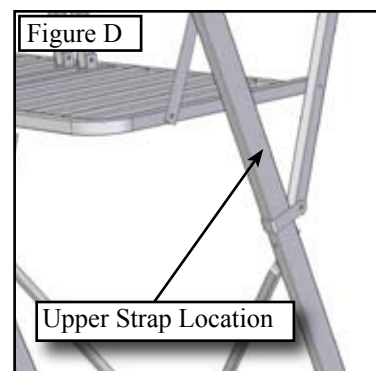


Figure D

Upper Strap Location

WARNING: IT IS MANDATORY THAT BOTH AUGERS BE USED WITH THIS STAND! SEE FIGURE G FOR PROPER PLACEMENT OF THE AUGERS AND THE STAND! IT IS MANDATORY THAT THE AUGERS BE DRILLED DOWN COMPLETELY INTO THE SOIL AS SHOWN IN FIGURE H! The augers will be easier to screw into the ground if you have access to a screw driver, crowbar or other non-flexing “cheater bar”. **MAKE SURE YOU CANNOT MOVE THE AUGER ONCE IT IS IN THE GROUND!**

Step 3. Thread the ratchet strap sewn loop through the eye of the auger as shown in **Figure I**. Thread the ratchet back through the sewn loop and pull tight as shown in **Figure J**. Repeat for other side.

Step 4. Thread the long strap through the ratchet as shown in **Figure K**. **DO NOT** ratchet completely tight.

Step 5. Alternate ratcheting from one side to the other until the straps are tight and the X-Pod is secure. Secure the loose ends at the augers.

Step 6. Climb slowly at first, checking the stability as you go.

MAKE SURE the straps stay taut as you climb. If they loosen as you climb it might be a sign that the augers have shifted. **THE RATCHET STRAP MUST BE TAUGHT BEFORE YOU HUNT FROM THIS STAND.**

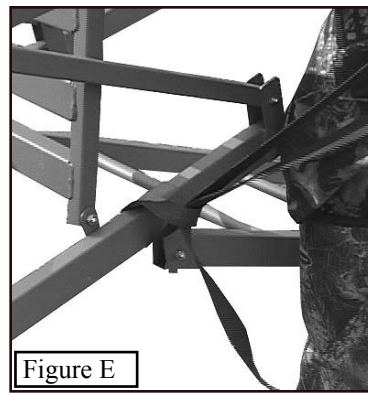


Figure E

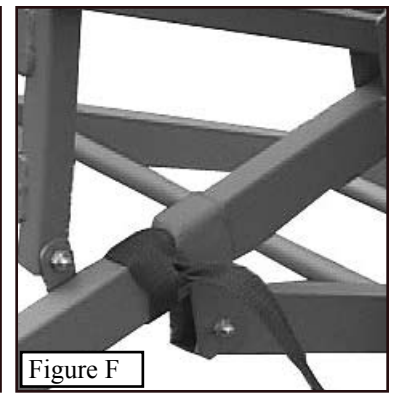


Figure F

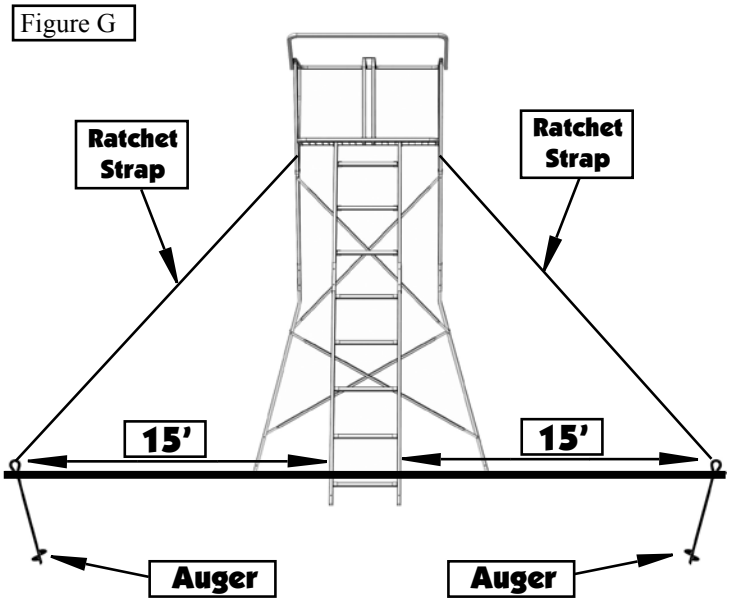


Figure G

Section 3. Maintenance and Care of Your Treestand.

Because of the quality construction techniques used in manufacturing, your Summit X-Pod is very durable under normal hunting conditions. However, since all hunting equipment that is exposed to the elements requires some maintenance and care, the following guidelines for caring for your treestand should be used. **DO NOT** leave your treestand outdoors when it is not being used.

Any tubing that is allowed to fill with rainwater and freeze WILL rupture or burst. DO NOT use your treestand if this happens. If your stand is exposed to the elements, it will be necessary to cover the seat or remove it to prevent rain and moisture from saturating the material. This will extend the life of the seat material as well as make it more comfortable the next time it is used.

The powder coat finish that is applied at the factory is very durable and should need touch ups only in areas of heavy wear or accidental impact.

Should you damage any part of your Summit X-Pod, contact your nearest authorized Summit dealer or the factory to obtain the proper corrective action procedure and/or replacement parts for the stand. Unauthorized repairs, modifications, or alterations will void the warranty and could degrade the integrity of the stand. You must perform periodic inspections of the treestand for damage.

WARNING: DO NOT use the stand if **ANY** obvious or suspected damage is observed.

CAUTION: Look for nicks, gouges, cuts, cracks, bends, corrosion or similar damage that can be the result of improper use or accidental damage. For instance, this could occur if someone else used the treestand without knowledge of its proper use, or if the stand were dropped, hit by a motor vehicle or subject to corrosive conditions, etc. Summit Pod Stands have the highest structural integrity by design, material selection and manufacturing techniques, but as its owner, only your continued care will assure trouble free performance. When the above-mentioned guidelines are followed, your Summit X-Pod will provide years of successful hunting.



Figure H

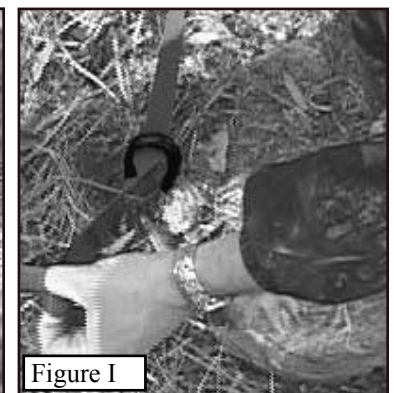


Figure I



Figure J

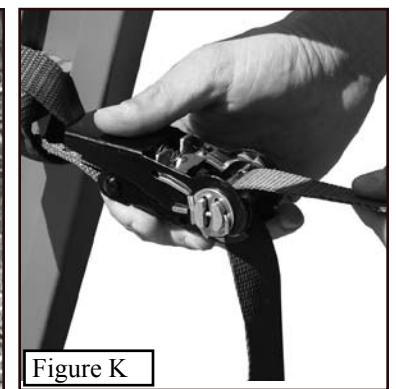


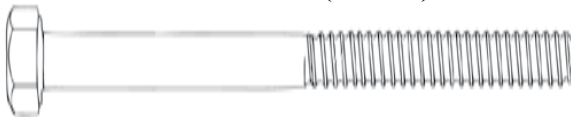
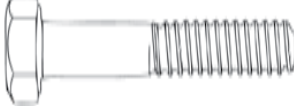


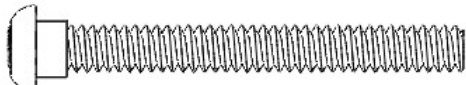
Figure K

BOX CONTENTS

PN	Description	QTY
14037.001	Platform Assembly	1
14037.002	Right Side Seat Rail Tube	1
14037.003	Left Side Seat Rail Tube	1
14037.004	Seat Rail Connector	1
14037.005	Upper Ladder Support Column	2
14037.006	Lower Ladder Support Column	2
14037.007	Upper Support Column	2
14037.008	Cross Brace	2
14037.009	Lower Support Column	2
14037.010	Coupler Plate	4
14037.011	Seat Rail Support Tubes	2
14037.012	Auger	2
14037.013	Platform Support Bars	2
14037.014	Ladder Rungs	8
14037.015	Gun Rest Tube	1
14037.016	L Shaped Seat Support Tube	2
14037.017	72" Support Assembly Brace	4
14037.018	Seat Tube Support Bar	1
85071	Foam Seat	2
70805	Accessory Packet	1

Please contact us at www.summitstands.com or 256-353-0634 to obtain any missing parts.

22037 HARDWARE KIT X-POD

PN	Description	QTY
10610	2 3/4" Bolt (5/16 -18)	16
		
10611	1 1/2" Bolt (5/16 -18)	12
		
10615	1 3/4" Bolt (5/16 -18)	26
		
10617	Centerlock Nuts (5/16 -18)	54
		
10632	2 1/2" Carriage Bolt (1/4 -20)	2
		

70805 ACCESSORY PACKET CONTENTS

PN	Description	QTY
50534	Long ladder strap w/sewn in loop	2
50535	Ladder strap ratchet	2
74225	36" Gun Rest Pad	1
85051	In-Line Cable Ties	3
22037	Hardware Kit	1
Written instructions for this Stand		
2007 DVD		

Limited Warranty

(A) Warranty

Summit Treestands, LLC (Summit) warrants to the original retail purchaser that all products manufactured by it are free from defects in material and manufacture at the time of shipment for sixty (60) months from the date of purchase. Summit will repair or replace any part found defective if the unit claimed to be defective shall be returned to Summit, postage prepaid, within the warranty period.

This warranty shall not apply to any product which has been subjected to misuse; misapplication; neglect (including but not limited to improper maintenance); accident; improper installation; modification (including but not limited to use of unauthorized parts or attachments); adjustment or repair. THE FOREGOING IS IN LIEU OF ALL OTHER WARRANTIES, WHETHER EXPRESS OR IMPLIED (INCLUDING THOSE OF MERCHANTABILITY AND FITNESS OF ANY PRODUCT FOR A PARTICULAR PURPOSE), AND OF ANY OTHER OBLIGATION OF LIABILITY ON THE PART OF THE COMPANY.

(B) Limitation of Liability

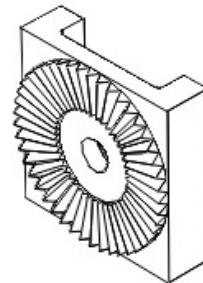
It is expressly understood that Summit's liability for its products, whether due to breach of warranty, negligence, strict liability, or otherwise, is limited to the repair of the product, as stated above, and Summit will not be liable for any other injury, loss, damage, or expense, whether direct or consequential, including but not limited to loss of use, income, profit, or damage to material, arising in connection with the sale, installation, use of, inability to use, or the repair or replacement of Summit's products.

Summit reserves the right to make alterations or modifications in its products at any time, which in its opinion, may improve the performance and efficiency of the product. It shall not be obligated to make such alterations or modifications to products already in service.

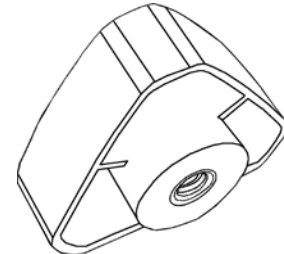
Please fill out the warranty card on the back of these instructions and return to:

SUMMIT Treestands, LLC.
715 Summit Dr.
Decatur, AL 35601

10544 Gun Rest Adjustment Bracket 4



10660 Knob 2



10633 Neoprene Washer 2



10635 Self Tapping Screw 2



- Tools Required**
- 1/2" Socket and Ratchet
 - 1/2" Wrench
 - Phillip's Head Manual or Powered Screw Driver
 - Side Cutters or Knife for Trimming Cable Ties

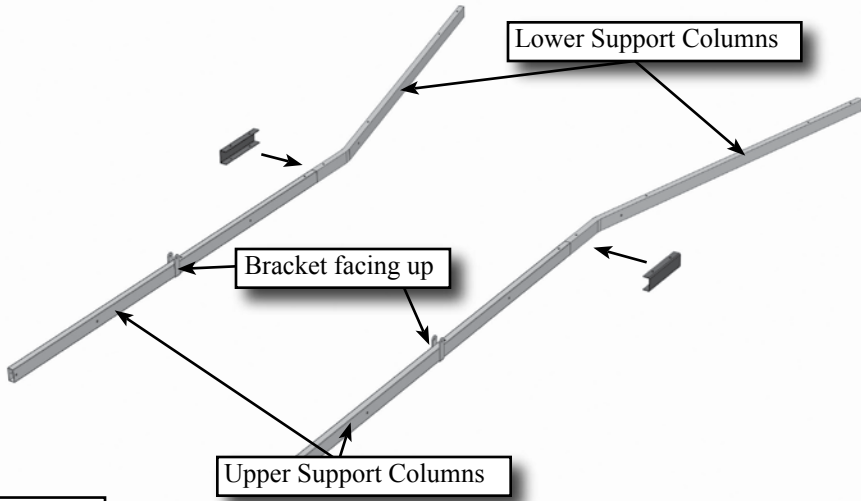


Figure 1

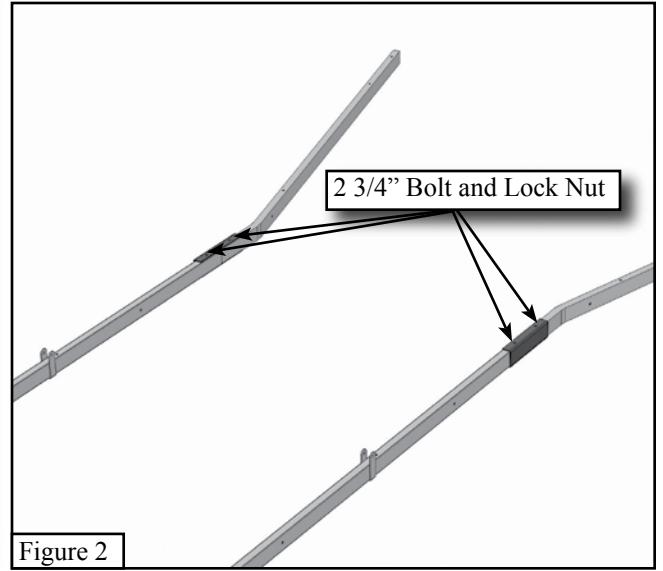


Figure 2

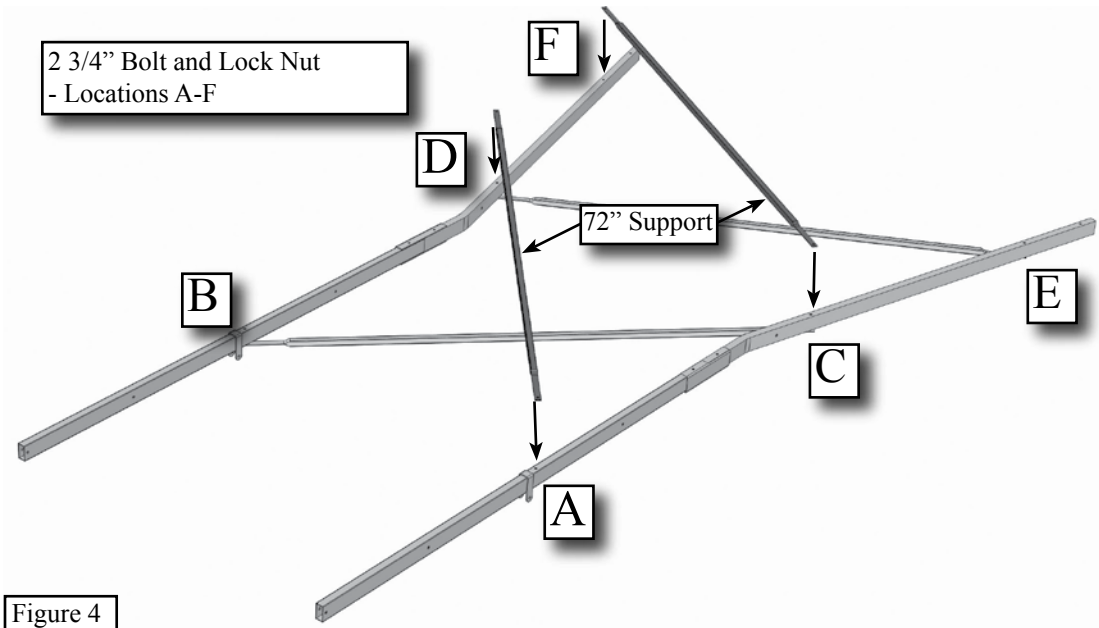


Figure 4



Figure 6

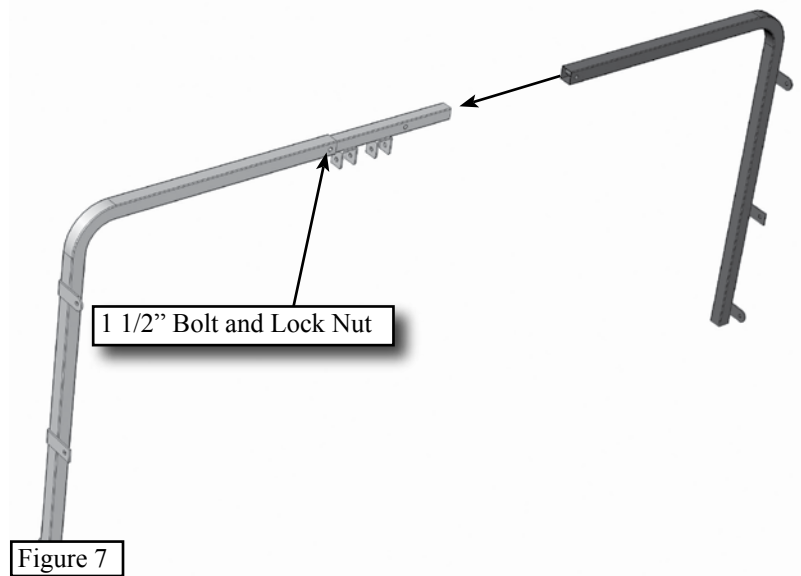


Figure 7

2 3/4" Bolt and Lock Nut
- Locations A-F

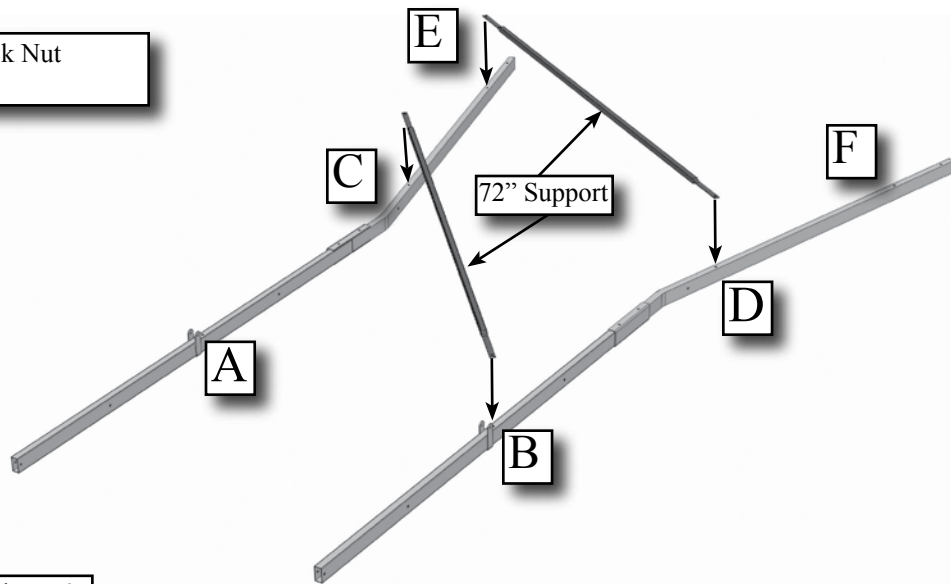


Figure 3

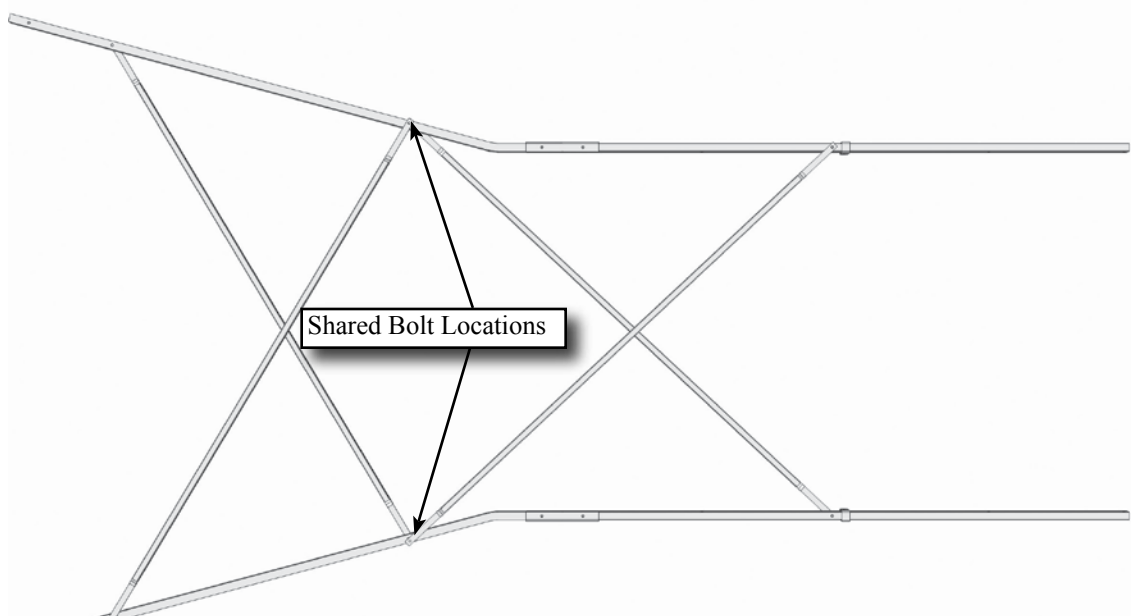


Figure 5

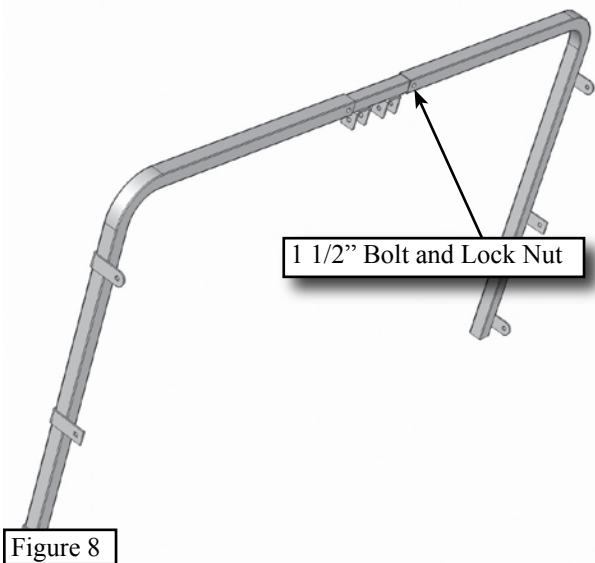


Figure 8

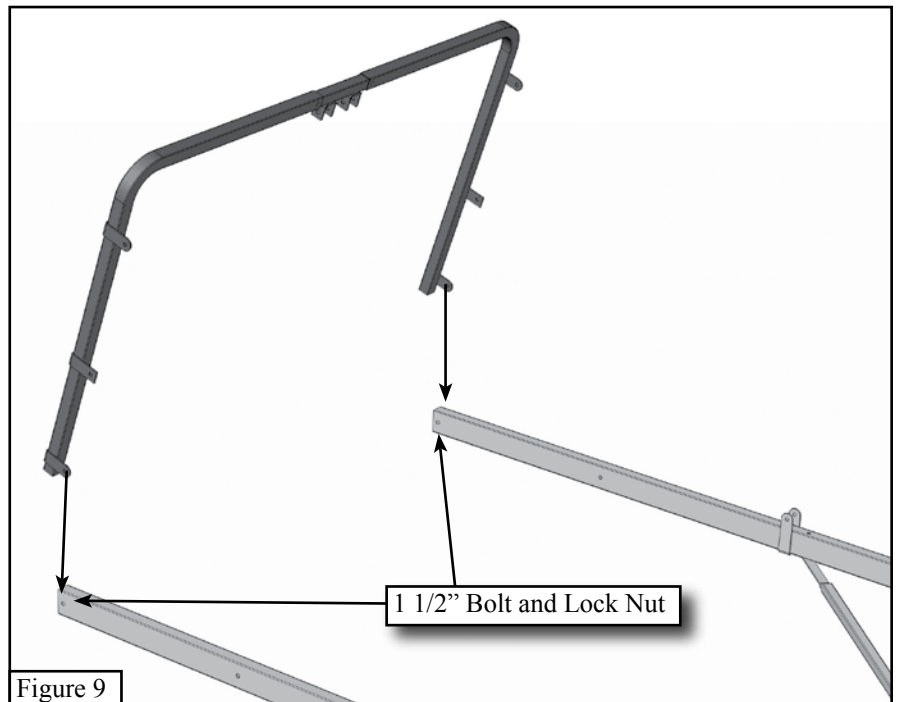
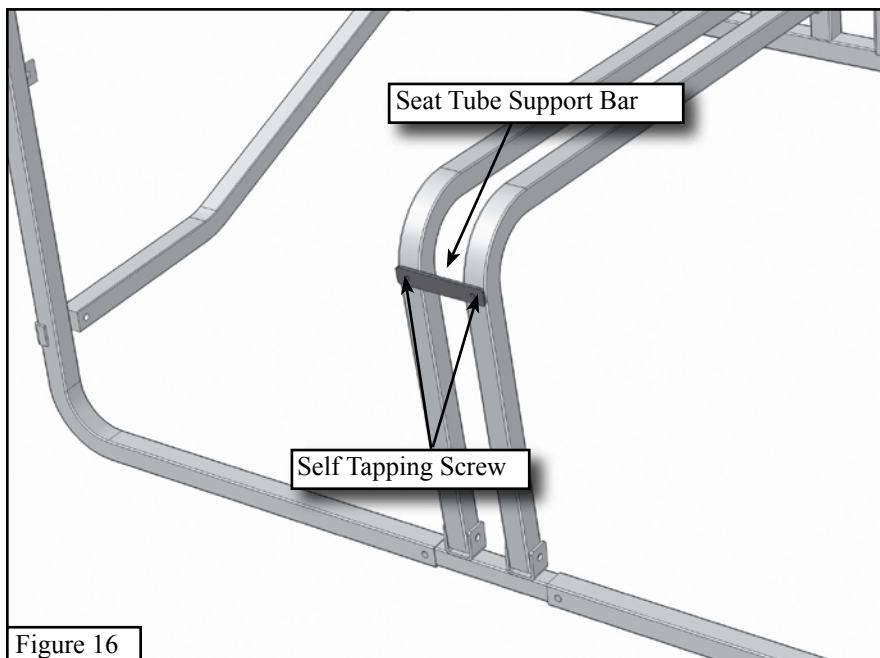
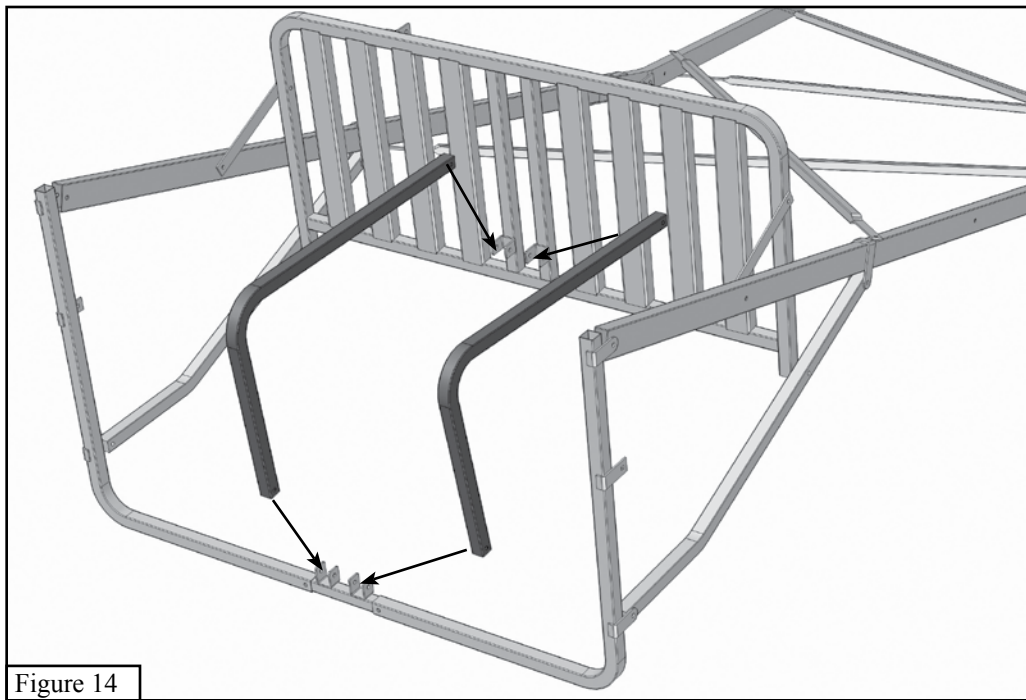
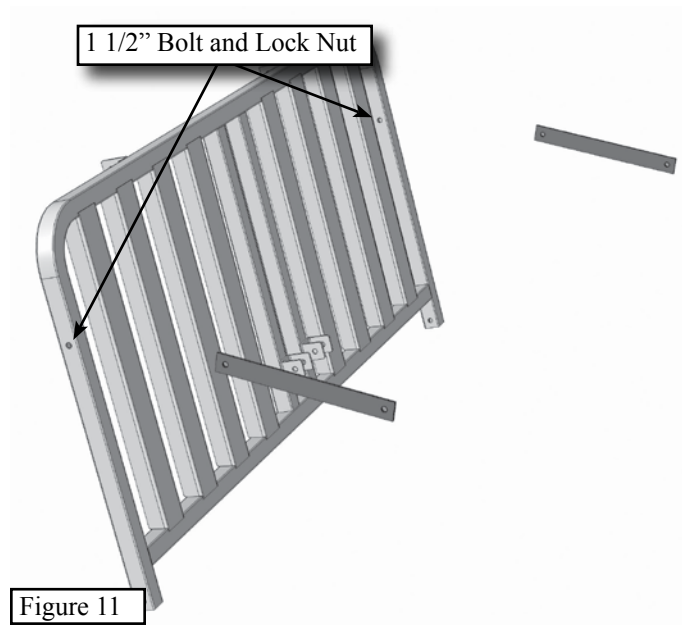
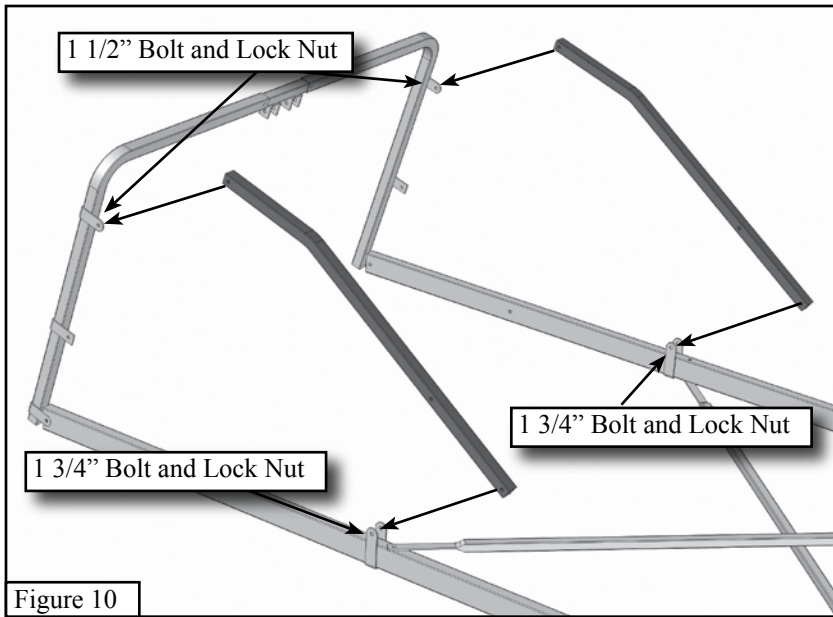
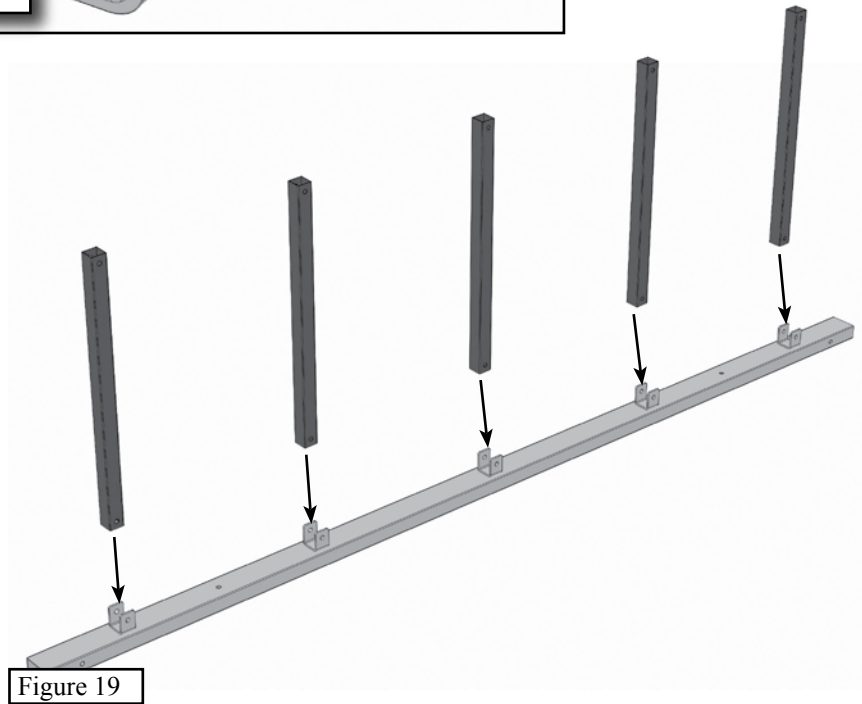
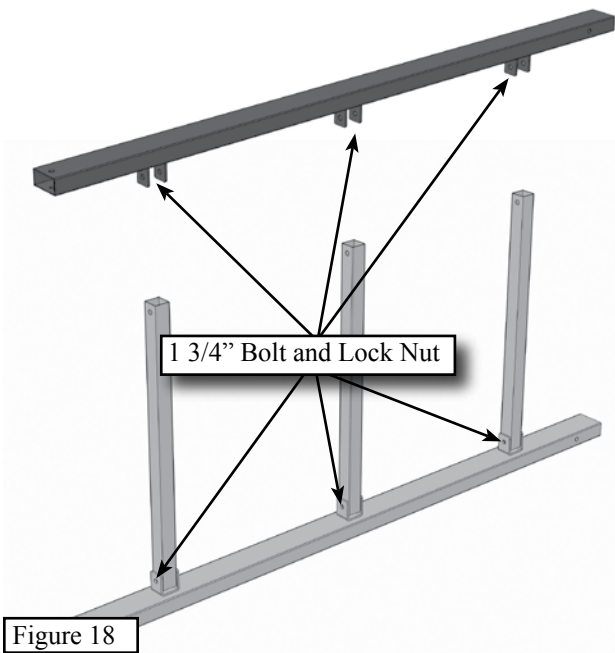
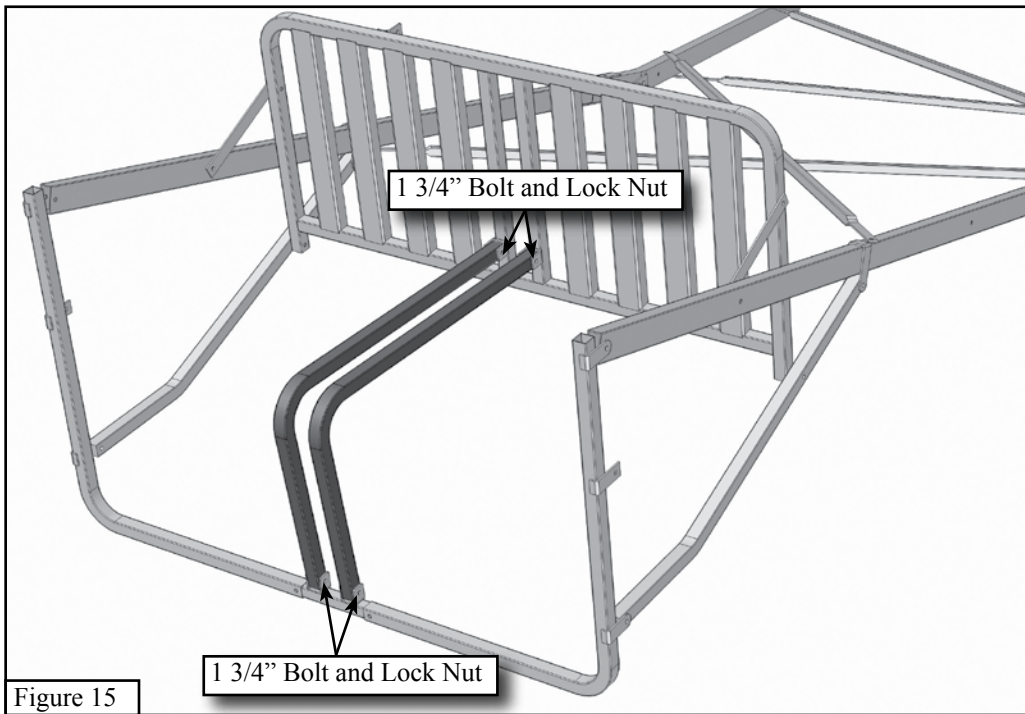
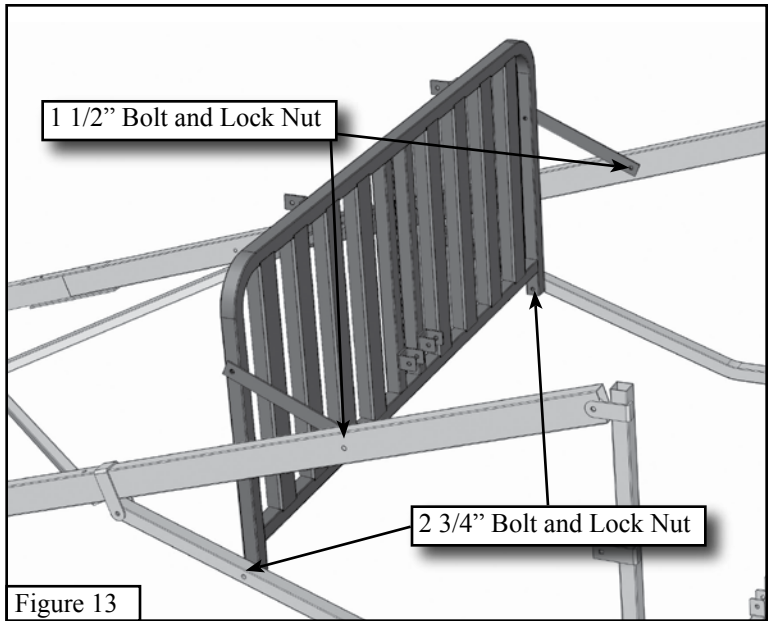
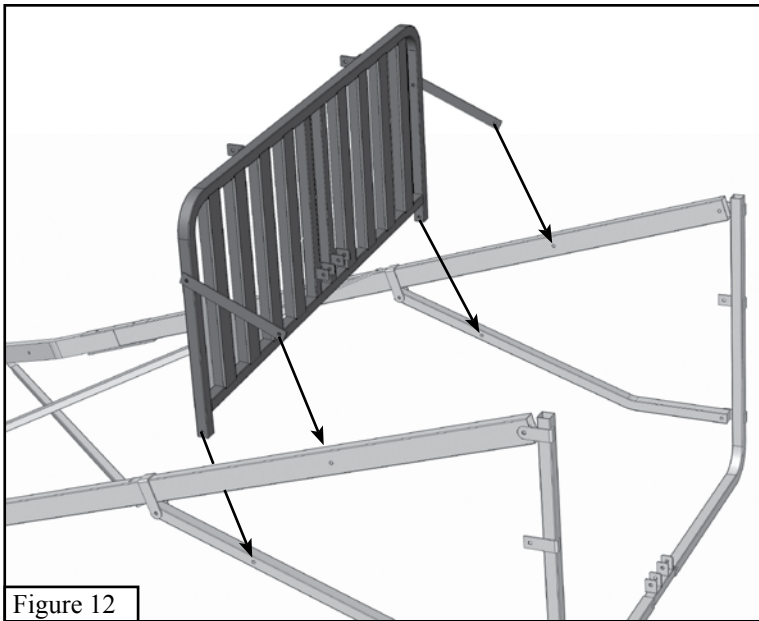


Figure 9





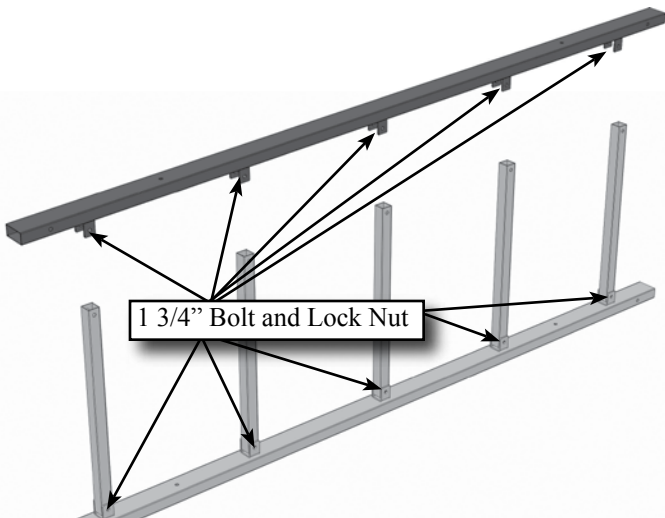


Figure 20

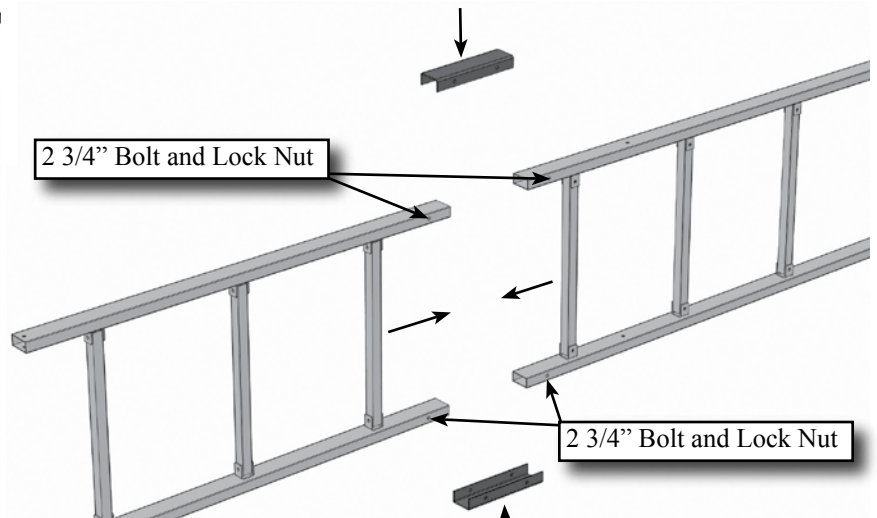


Figure 21

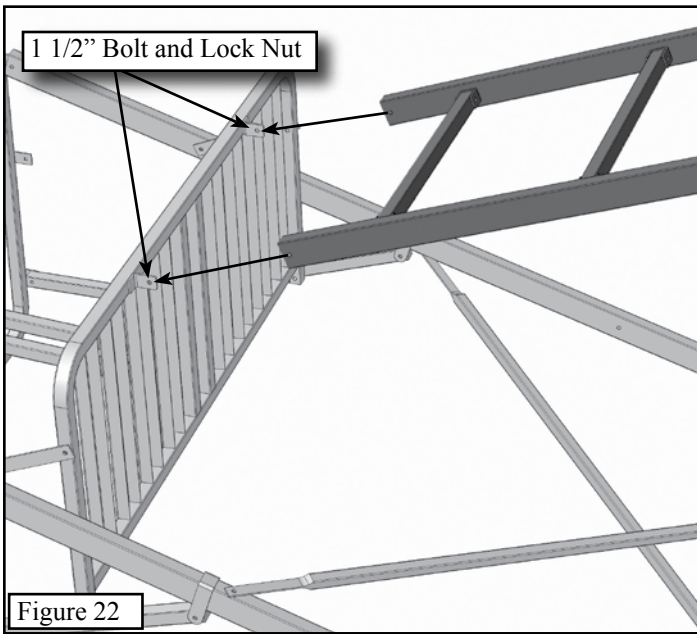


Figure 22

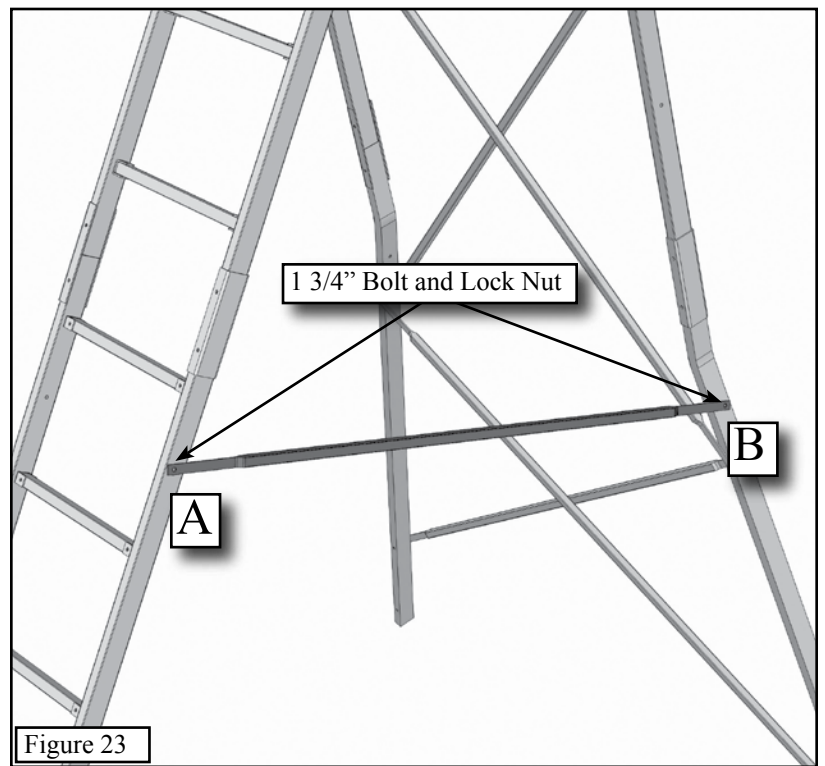


Figure 23

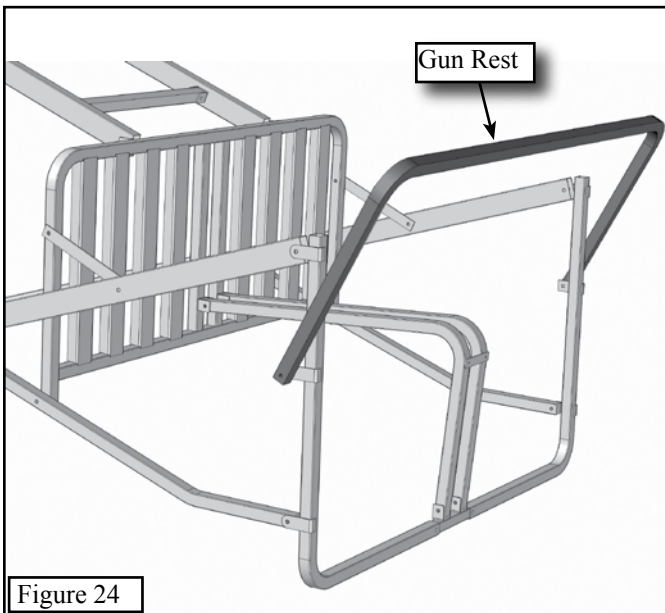


Figure 24

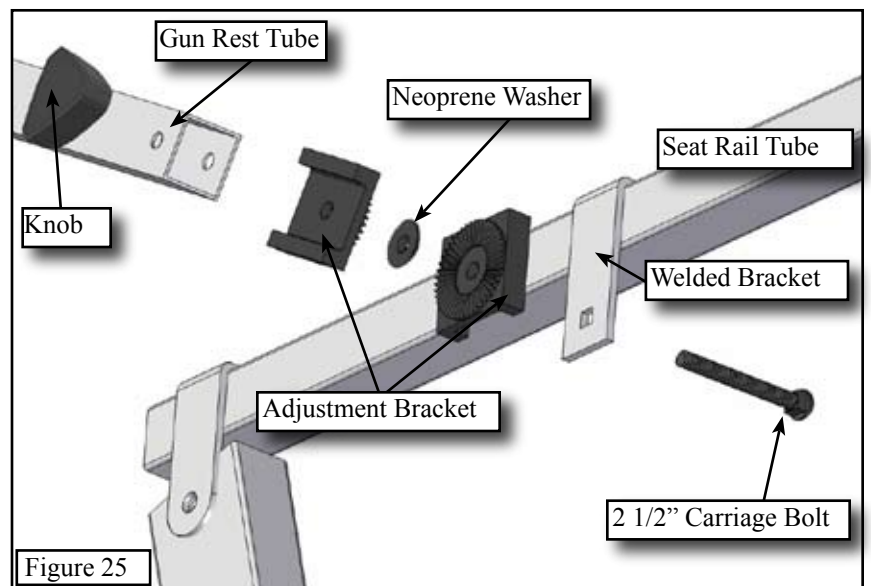
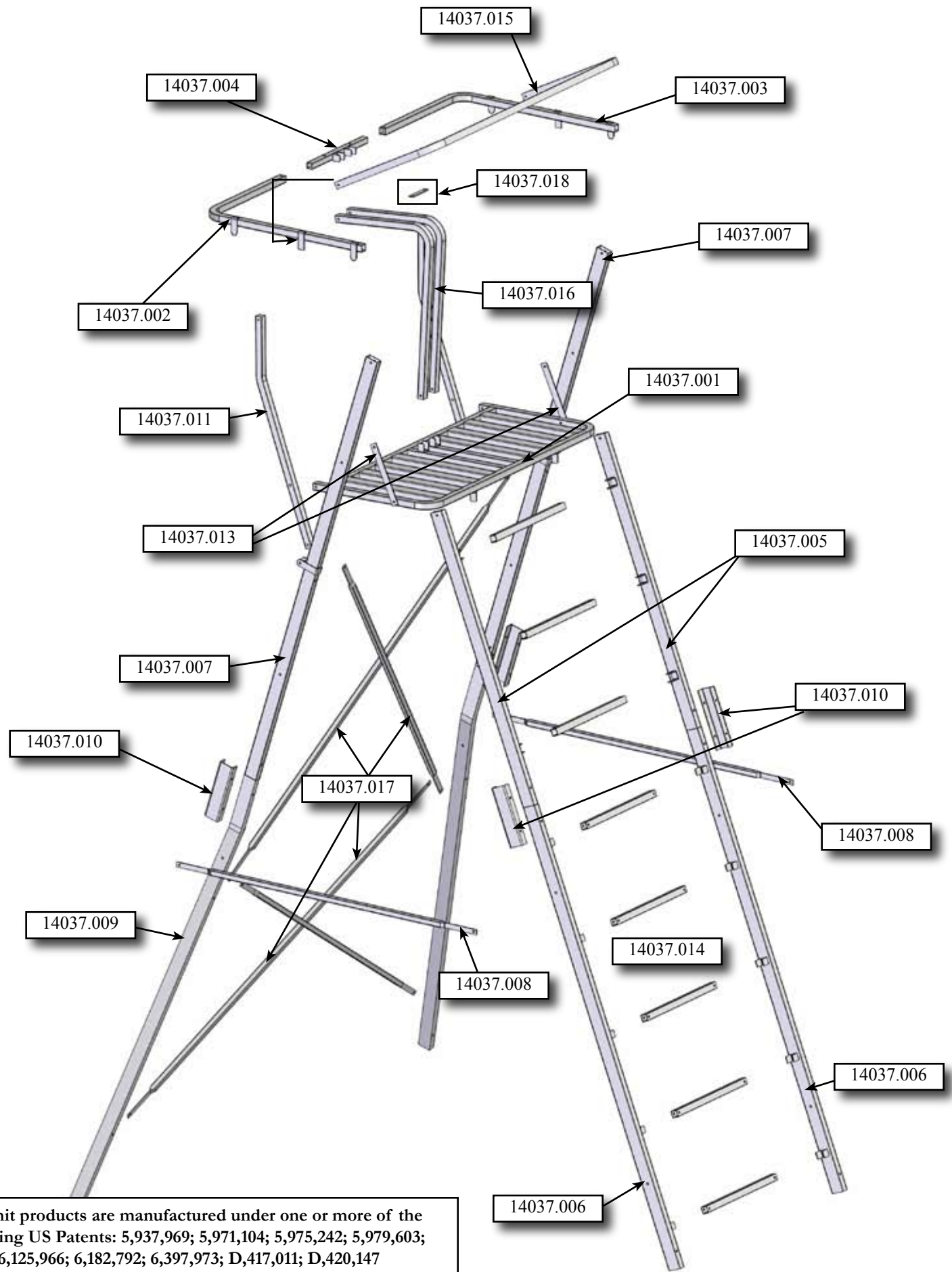


Figure 25

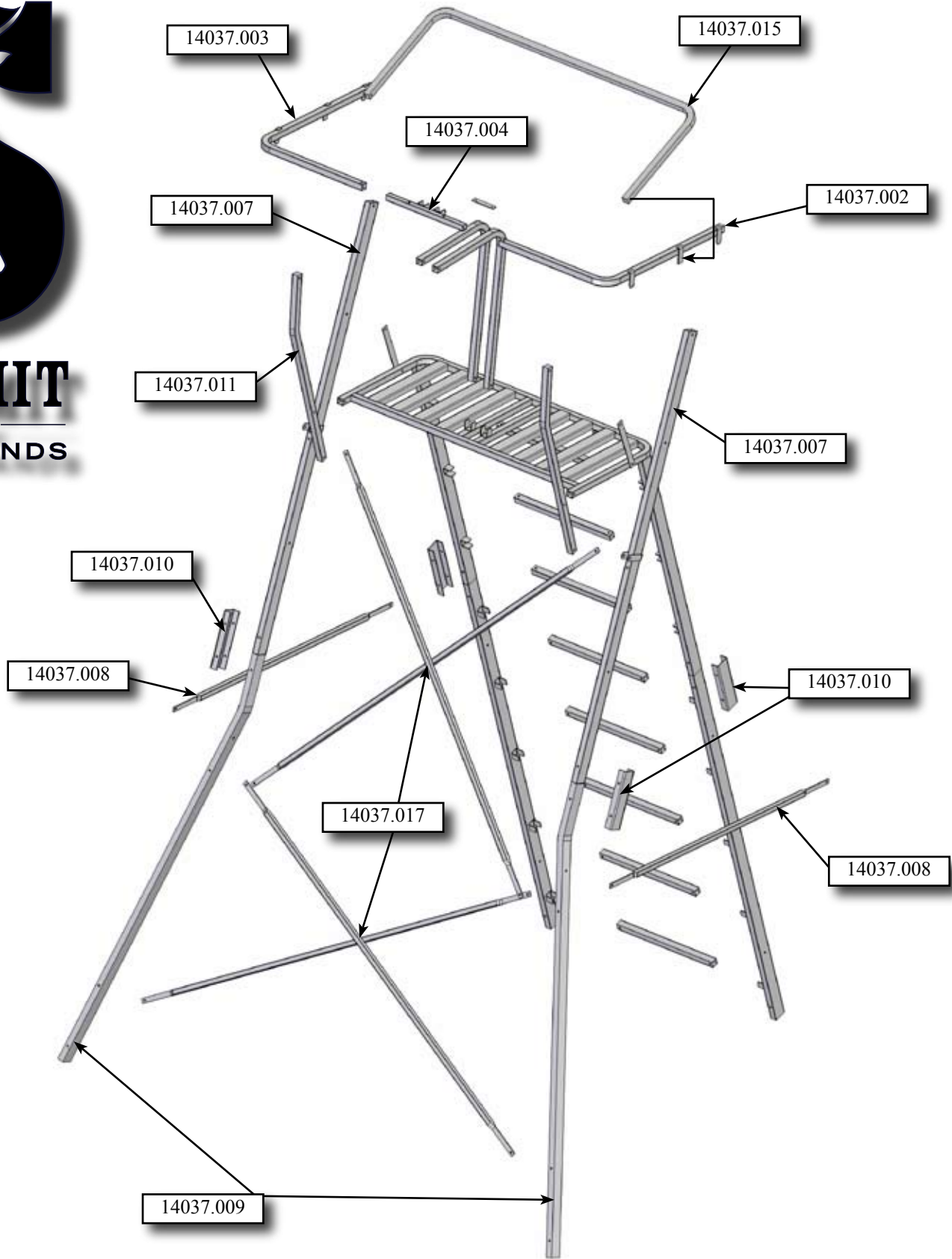


Summit products are manufactured under one or more of the following US Patents: 5,937,969; 5,971,104; 5,975,242; 5,979,603; 6,125,966; 6,182,792; 6,397,973; D,417,011; D,420,147

Summit Bucksteps and RapidClimb Stirrups are Patent Pending



SUMMIT
EST. 1981
TREESTANDS



Cut Along Line

Cut Along Line

Warranty Card for Summit Double X-Pod (82037)

Owners Name: _____ Street Address: _____

City: _____ State: _____ ZIP: _____ Phone: (____) _____

Date Purchased: _____ Purchased From (Dealer Name): _____ Price \$: _____

Your heard about us through: Magazine Advertisement Video Friend Summit Catalog

Other Please Explain: _____

You can also register your warranty card on line at: www.summitstands.com/warranty.aspx