



**SUMMIT**  
EST. 1981  
**TREESTANDS**

# Predator Pod

## Instruction Booklet - 2007

You **MUST** also view the enclosed DVD **BEFORE** using your new treestand!!

Weight Limit: 300 lbs. Total. **DO NOT EXCEED THIS LIMIT!**

---

### READ ME FIRST!!!

Please read carefully **BEFORE** using your new Summit Predator Pod.

Congratulations! You have purchased the finest commercially available pod stand on the market today. Summit Pod Stands are designed and built to provide years of trouble-free, successful hunting with a minimum of maintenance and care. They are certified to meet the requirements of the Treestand Manufacturers Association (TMA) Standards. This booklet is provided to you to outline the recommended use, care and maintenance of your Summit Climbing Treestand.

## Warnings and Precautions

- **IT IS IMPORTANT TO NOTE THAT A FALL CAN OCCUR AT ANY TIME AFTER LEAVING THE GROUND!**
- **YOU MUST FULLY READ, UNDERSTAND AND FOLLOW THESE INSTRUCTIONS! PLEASE CONTACT SUMMIT TREESTANDS IF YOU HAVE ANY QUESTIONS ON THE USE OF THIS PRODUCT! FAILURE TO FOLLOW THESE INSTRUCTIONS MAY CAUSE SERIOUS INJURY OR DEATH!!**
- **DO NOT USE THIS OR ANY OTHER STAND IF YOU HAVE BEEN USING DRUGS (EVEN PRESCRIPTION) OR ALCOHOL OR ARE PHYSICALLY IMPAIRED IN ANY WAY! NEVER USE A TREESTAND WHEN FEELING ILL, NAUSEOUS OR DIZZY!**
- **FOR YOUR SAFETY, DO NOT USE ANY STAND DURING RAIN, LIGHTNING, WINDSTORMS OR WHEN IT IS ICY OR WET.**
- **DO NOT USE ANY TREESTAND IF YOU HAVE NOT FOLLOWED THE MANUFACTURERS CARE AND MAINTENANCE GUIDELINES! NEVER MODIFY YOUR STAND BY MAKING REPAIRS, REPLACING PARTS, ALTERING PARTS OR ATTACHING ANYTHING TO IT UNLESS EXPLICITLY AUTHORIZED BY SUMMIT TREESTANDS!**
- **ALWAYS INSPECT THE STAND / CABLE SYSTEM OR HANGING STRAPS AND ANY SAFETY GEAR BEFORE EACH USE! IF ANY PROBLEMS ARE FOUND - DO NOT USE THE STAND! CONTACT CUSTOMER SERVICE FOR THE APPROPRIATE REPAIR / REPLACEMENT PROCEDURE!**
- **PRIOR TO HUNTING: YOU MUST NOTIFY SOMEONE OF YOUR HUNTING LOCATION AND WHEN YOU WILL RETURN! A SIGNAL DEVICE SUCH AS A MOBILE PHONE, RADIO, WHISTLE, SIGNAL FLARE OR PERSONAL LOCATOR DEVICE (PLD) MUST BE ON YOUR PERSON AT ALL TIMES!**
- **DO NOT USE ANY STAND UNLESS YOU ARE IN GOOD PHYSICAL SHAPE. THE ABILITY TO DO SEVERAL PUSH-UPS, CHIN-UPS, SIT-UPS, ETC. IS REQUIRED FOR YOUR SAFETY!**
- **ALWAYS USE A HAUL LINE TO RAISE AND LOWER UNLOADED FIREARMS AND BOWS! FIREARMS MUST BE PULLED UP UNLOADED, CHAMBER OPEN AND MUZZLE DOWN!**
- **NEVER CLIMB WITH ANYTHING IN YOUR HANDS OR ON YOUR BACK - USE A HAUL LINE!**
- **PRACTICE USING YOUR TREESTAND AND SAFETY HARNESS AT A LOW LEVEL (5 FEET) UNTIL YOU MASTER ITS USE!**
- **BE WELL RESTED AND NEVER GET IN A HURRY. HURRYING CAUSES ACCIDENTS!!**
- **INSTRUCTIONS (WRITTEN AND VIDEO) SHOULD BE REVIEWED AT LEAST ANNUALLY. IF YOU LOAN OR SELL THIS TREESTAND, IT IS YOUR RESPONSIBILITY TO FURNISH THE BUYER A COPY OF THESE INSTRUCTIONS AND THE VIDEO THAT CAME WITH THE TREESTAND. MAKE SURE THEY WATCH THE VIDEO AND READ / UNDERSTAND THE INSTRUCTIONS!**
- **CHECK EVERY LADDER SECTION CONNECTION EVERY TIME YOU USE THE STAND. IF ANY LADDER SECTIONS ARE SEPARATING - DO NOT USE THE STAND!**
- **CHECK THE GROUND UNDER THE STAND TO MAKE SURE IT IS FIRM AND LEVEL. SLOPING GROUND OR AN UNEVEN SURFACE (ONE LADDER SECTION ON A ROCK) CAN CAUSE YOUR STAND TO TILT OR SHIFT AS YOU CLIMB!**
- **MAINTAIN THREE POINTS OF CONTACT WHEN YOU CLIMB THE LADDER SECTION OF THIS STAND!**

---

### Warning

**Before each use of your Summit Predator Pod, ALWAYS inspect the stand for any structural damage, cracks, cable wear or abrasion that may have occurred in transporting your stand. DO NOT USE IF ANY DAMAGE IS FOUND! DO NOT leave your stand outdoors when it is not being used. Any tubing that is allowed to fill with rainwater and freeze WILL rupture or burst. DO NOT use your Stand if this happens.**

## Section 1. Assembling Your Predator Pod Stand.

Please contact us at [www.summitstands.com](http://www.summitstands.com) or 256-353-0634 to obtain any missing parts or if your DVD does not work.

### Part 1. Base Plate Assembly.

**Step 1.** Orient the base plate and one leg as shown in **Figure 1**.

**NOTE** the correct orientation of the leg. The pre-punched hole is to the inside - as is the welded on bracket located lower on the leg.

**Step 2.** Slide the leg into the Base Plate and line up the holes. Secure with one 5/16" (1 3/4" long) bolt and 5/16" lock nut. **NOTE:** These are the **ONLY** 5/16" bolts used for assembly. All remaining bolts are 1/4" thread size.

**Step 3.** Repeat two more times as shown in **Figure 2**. Use one 1 3/4" bolt per leg. Steps on the other legs must face out like the first leg.

**Step 4.** Position the Seat Swivel as shown in **Figure 3**.

**NOTE** - Leave bolts/nuts hand tight until all are started.

**Step 5.** Bolt the Seat Swivel to the Base Plate as shown in **Figure 4**. The correct order should be: 1" bolt / Washer / Swivel Plate / 1/4" Nylon Spacer / Base Plate / Lock Nut (See **Figure 4**).

**Step 6.** Repeat 3 more times with three more 1" bolts, washers, spacers and lock nuts as shown in **Figure 5**.

**Step 7.** Wrench tighten all bolts.

### Part 2. Seat Base Assembly.

**Step 1.** Position the Seat Base and the Gun Rest Bracket as shown in **Figure 6**. Insert two short shank bushings into the outside holes on the Gun Rest Bracket.

**Step 2.** Slide the Gun Rest Bracket into the Seat Base and secure using one 2 1/4" bolt with lock nut as shown in **Figure 7**. Do not overtighten as this connection is designed to pivot. Insert bolt from the bottom up so that the head of the bolt is on the bottom.

**Step 3.** Orient the Seat Base as shown in **Figure 8**.

**NOTE** - Leave bolts/nuts hand tight until all are started.

**Step 4.** Bolt the Seat Base to the Seat Swivel as shown in **Figure 9**. The correct order should be: 1 3/4" bolt / Washer / Seat Swivel / 1/4" spacer / Seat Base / Lock Nut. Pivot the swivel to insert the next bolt.

**Step 5.** Repeat 3 more times with three more 1 3/4" bolts, washers, spacers and lock nuts as shown in **Figure 10**.

**Step 6.** Wrench tighten all bolts.

**Step 7.** Position Seat Back as shown in **Figure 11**.

**Step 8.** Secure using two 2 1/4" bolts with lock nuts (See **Figure 12**).

**Step 9.** Position the Gun Rest as shown in **Figure 13**. Slide the Gun Rest into the bracket and line up the holes. Secure with one 1 3/4" bolt and lock nut. Do not overtighten as this connection is designed to pivot.

**Step 10.** The Predator Pod foam seat should have two sewn in loops on the front straps and two snaps on the rear straps. Slide the front loops over the front of the Seat Base Assembly as shown in **Figure 14**. Snap the webbing straps over the rear cross bar.

**Step 11.** Position the 12" back rest pad as shown in **Figure 15**. Secure the pad to the back rest bar using 2 cable ties. The cable ties for attaching the pads are "in-line" cable ties: Note the correct and incorrect ways of attaching. To attach - pull the cable ties snug, cut off the excess, and rotate the clasp to the underside of the pad.

### Part 3. Center Support Assembly.

**Step 1.** Position the Predator Pod as shown in **Figure 16**. Insert three short shank bushings to the inside of the welded on L-Bracket as shown in **Figure 16**.

**Step 2.** Position the Center Support Assembly as shown in **Figure 17**.

The Support Assembly will bolt to the inside of the L-Brackets and sit against the short shank bushings. Secure each joint with one 3/4" bolt and lock nut. Do not overtighten as this joint is designed to pivot.

## Section 2. Use of the Predator Pod.

**WARNING: THE PREDATOR POD IS DESIGNED TO WORK ON LEVEL GROUND ONLY. MAKE SURE THAT THE LOCATION YOU CHOOSE IS FREE OF ROCKS OR OTHER DEBRIS.**

**Step 1.** Fold all the legs out until all three are an equal distance apart. They should be spread out as much as possible to provide the most stable base. The Center Support should be almost horizontal as shown in **Figure 18**.

**Step 2.** Tie your gun or bow to a pull-up rope and then tie the other end to your belt or around the top of the stand where you can reach it.

**Step 3.** Carefully climb up the steps. Once you reach the seat, swing one of your legs over and around the gun rest. Make sure your boots are both firmly in place on two of the top steps. Carefully sit down.

**Step 4.** Pull the gun rest up towards you, then push it down into the bracket to lock it. Bow hunters might want to skip this step.

**Step 5.** Pull up your gun or bow and begin hunting.

## Section 3. Maintenance and Care of Your Treestand.

Because of the quality construction techniques used in manufacturing, your Summit Pod Stand is very durable under normal hunting conditions. However, since all hunting equipment that is exposed to the elements requires some maintenance and care, the following guidelines for caring for your treestand should be used. **DO NOT** leave your treestand outdoors when it is not being used. **Any tubing that is allowed to fill with rainwater and freeze WILL rupture or burst.** **DO NOT use your treestand if this happens.** If your treestand is exposed to the elements, it will be necessary to cover the seat to prevent rain and moisture from saturating the material. This will extend the life of the seat material as well as make it more comfortable the next time it is used.

The powder coat finish that is applied at the factory is very durable and should need touch ups only in areas of heavy wear or accidental impact.

Should you damage any part of your Summit Pod Stand, contact your nearest authorized Summit dealer or the factory to obtain the proper corrective action procedure and/or replacement parts for the treestand. Unauthorized repairs, modifications, or alterations will void the warranty and could degrade the integrity of the treestand. You must perform periodic inspections of the treestand for damage. **WARNING: DO NOT use the treestand if ANY obvious or suspected damage is observed.**

**CAUTION:** Look for nicks, gouges, cuts, cracks, bends, corrosion or similar damage that can be the result of improper use or accidental damage. For instance, this could occur if someone else used the treestand without knowledge of its proper use, or if the treestand were dropped, hit by a motor vehicle or subject to corrosive conditions, etc. Summit Treestands have the highest structural integrity by design, material selection and manufacturing techniques, but as its owner, only your continued care will assure trouble free performance. When the above-mentioned guidelines are followed, your Summit Treestand will provide years of successful hunting.

## Parts List

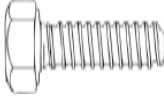









### BOX CONTENTS

PN	Description	QTY
10986	Ladder Leg (3 steps)	1
10987	Ladder Leg (1 step)	2
71120	Center Support Assembly	1
10988	Base Plate	1
14028.001	Seat Base	1
71119	Gun Rest with Pivoting Gun Holder	1
14028.002	Back Rest Bar	1
14028.003	Gun Rest Bracket	1
74203	Foam Seat	1
10994	6" Swivel	1
72028	Accessory Packet	

### 72028 ACCESSORY PACKET CONTENTS

PN	Description	QTY
74223	12" Back Rest Pad	1
10656	In-Line Cable Ties	2
	Written instructions for this Stand 2007 DVD	
22028	Hardware Kit	1

### 22028 HARDWARE KIT PREDATOR POD

PN	Description	QTY
10605	3/4" Bolt (1/4 -20)	3
		
10624	1" Bolt (1/4 -20)	4
		
10601	1 3/4" Bolt (1/4 -20)	5
		
10609	2 1/4" bolt (1/4 -20)	3
		
10612	Lock Nut (1/4 -20)	15
		
10642	1/4" Nylon Spacer	8
		
10625	1/4" Metal Washer	8
		
10641	Short Shank Bushing	7
		
10615	1 3/4" Bolt (5/16 -18) Legs ONLY	3
		
10617	Centerlock Nuts (5/16 -18) Legs ONLY	3
		

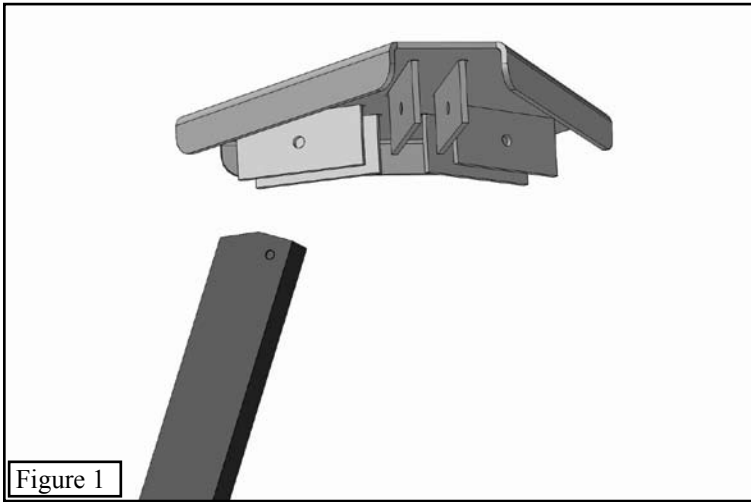


Figure 1

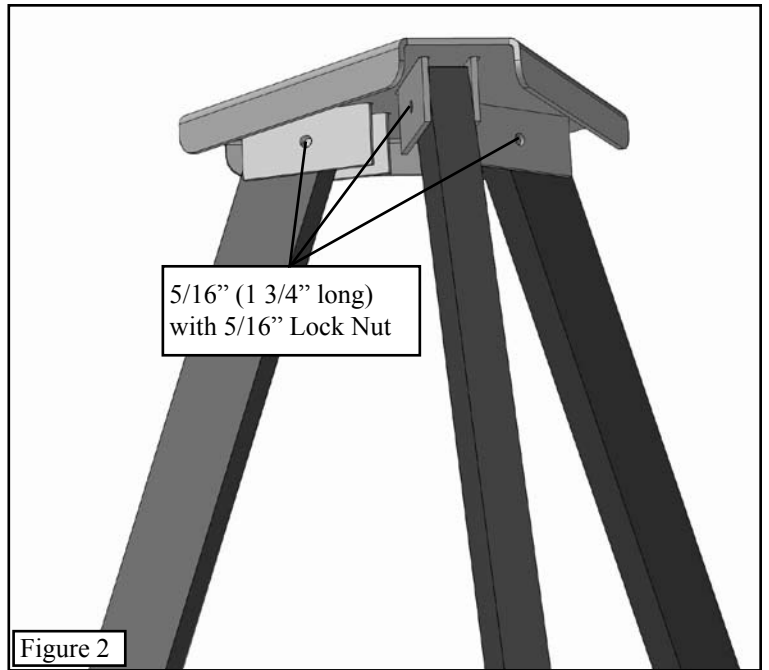


Figure 2

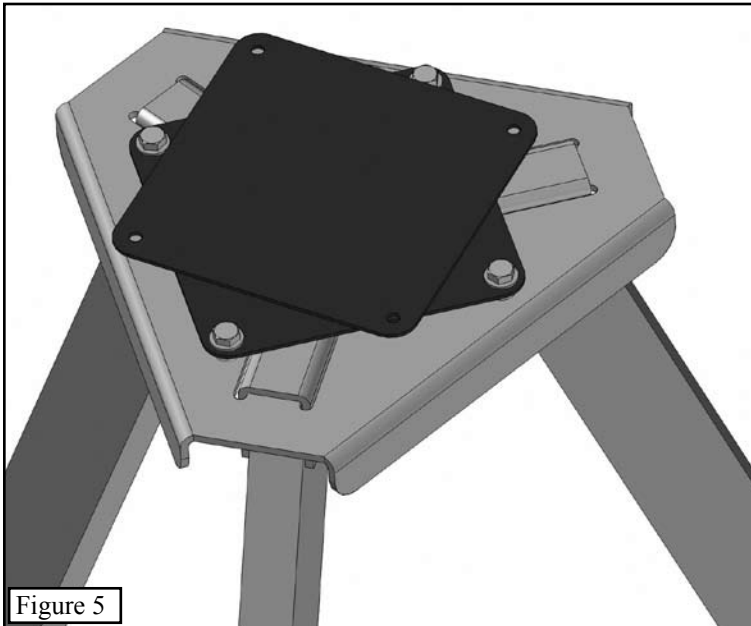


Figure 5

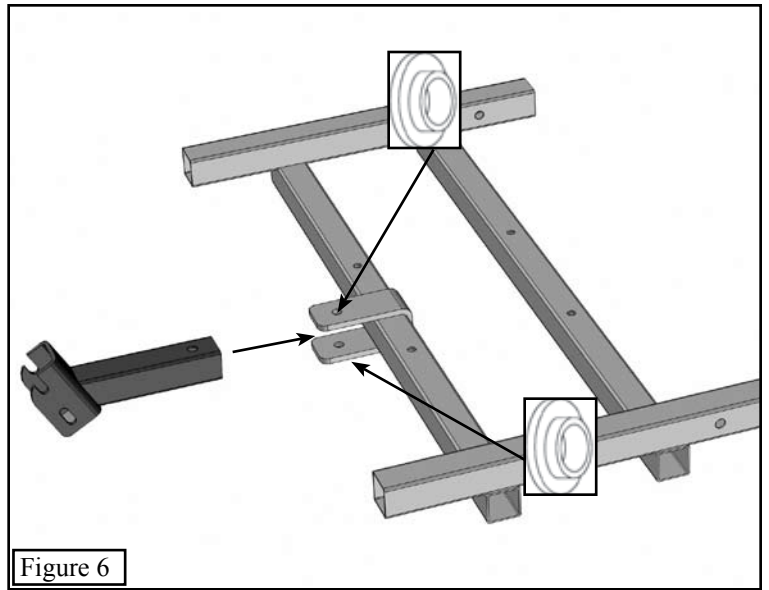


Figure 6

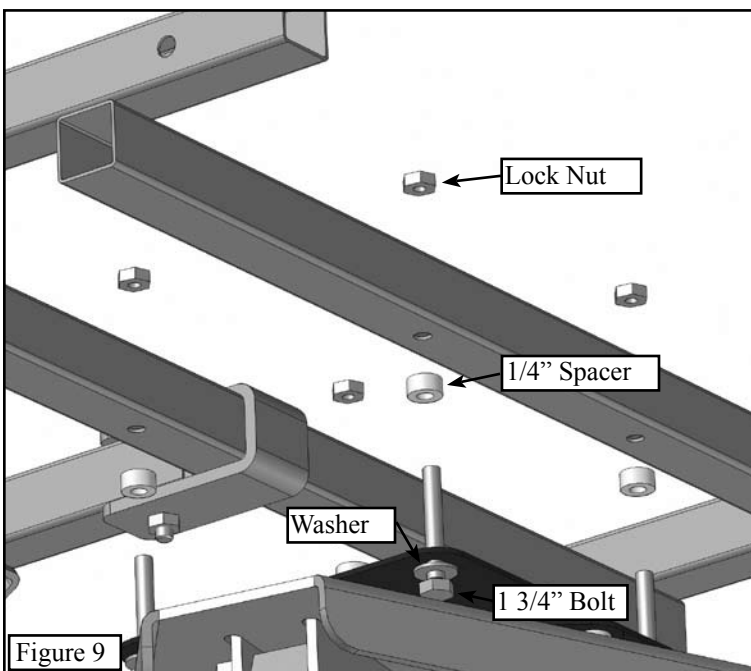


Figure 9

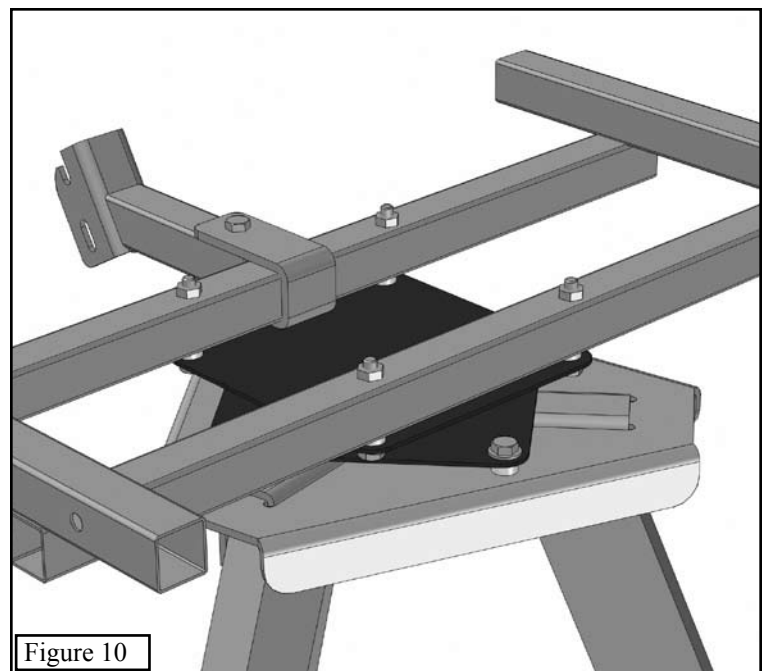
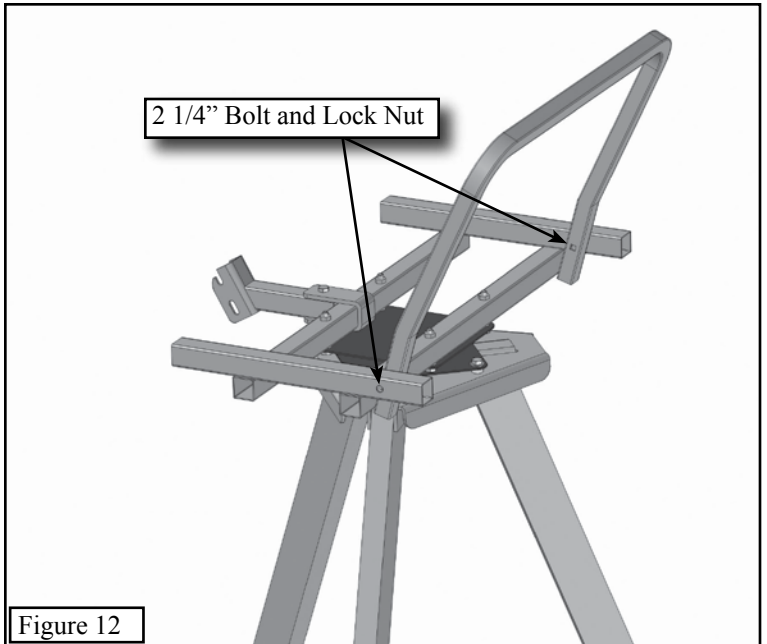
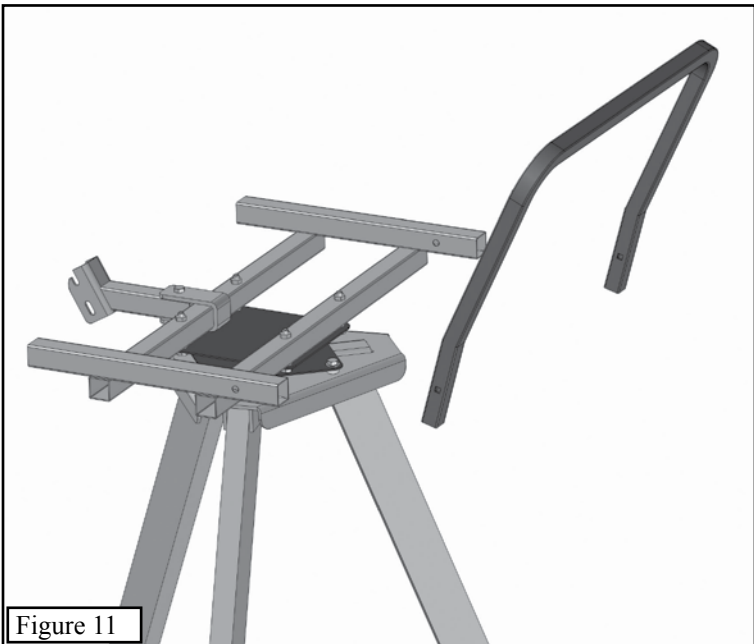
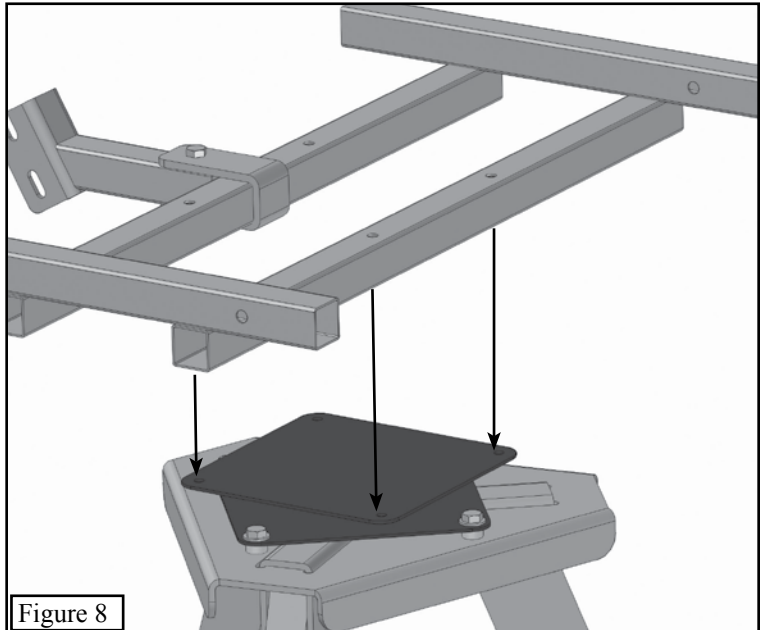
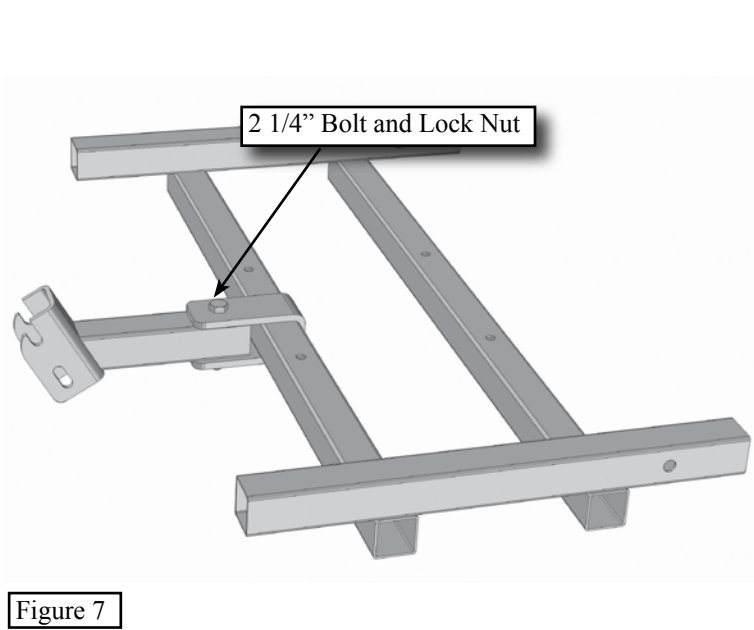
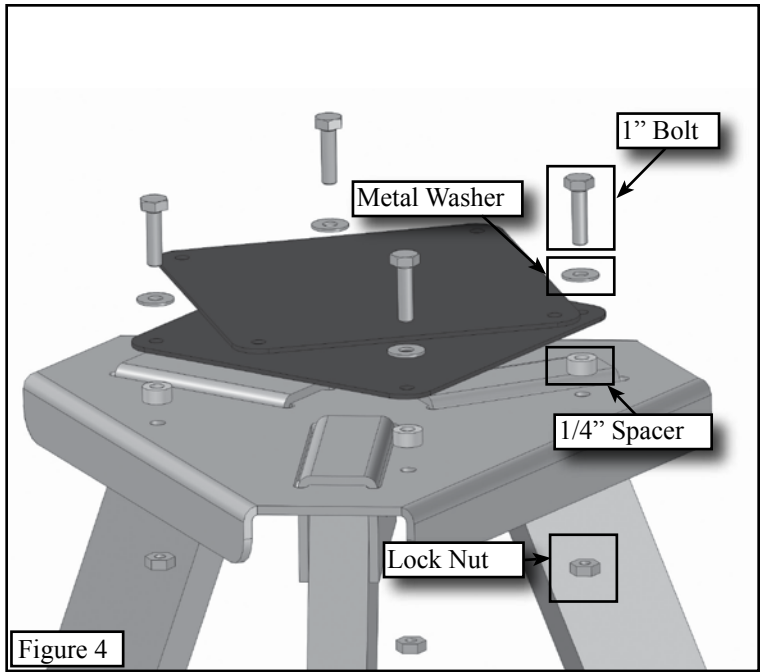
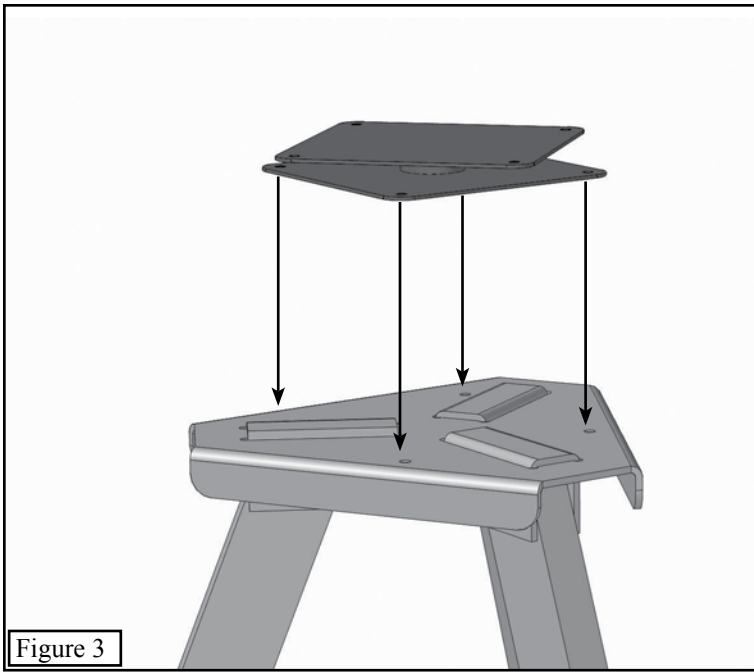
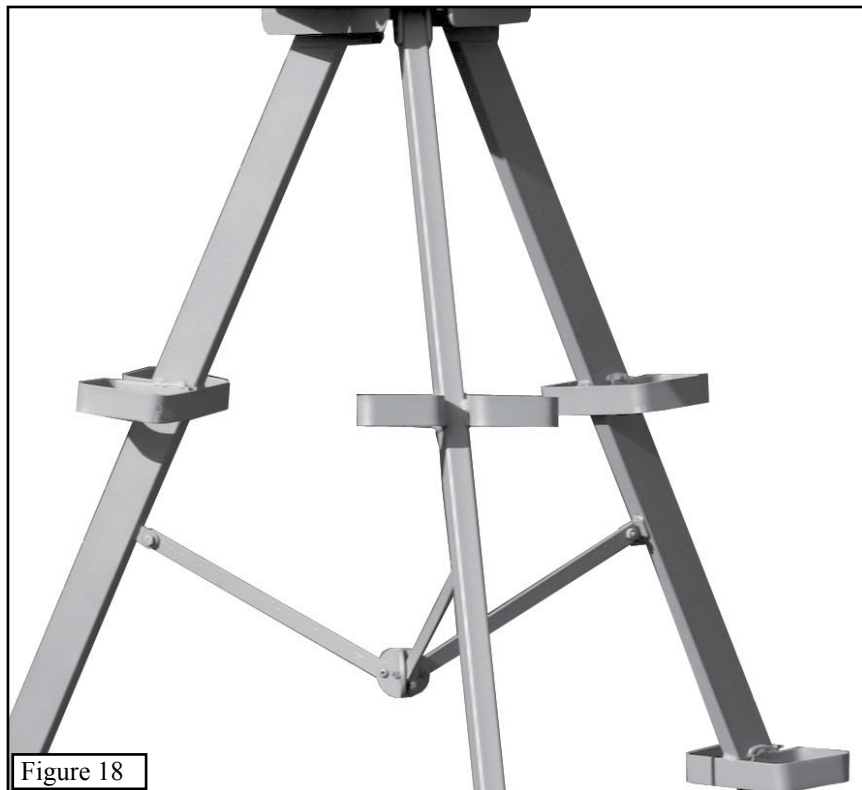
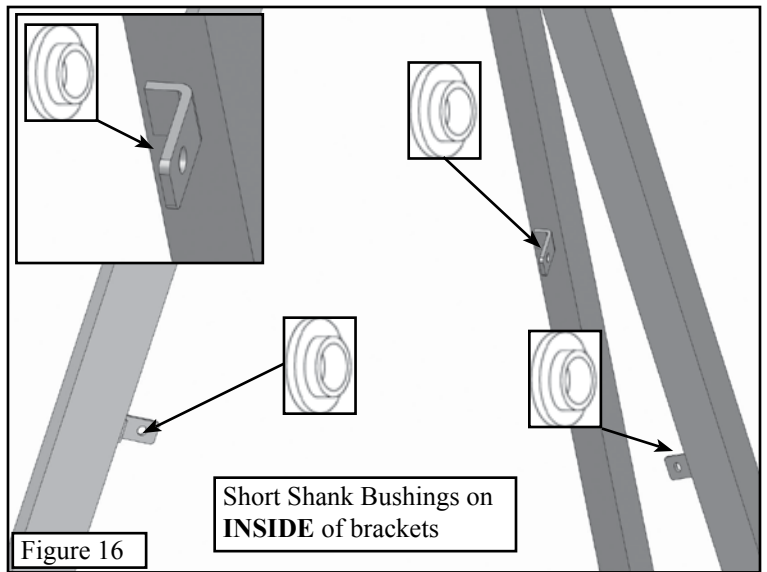
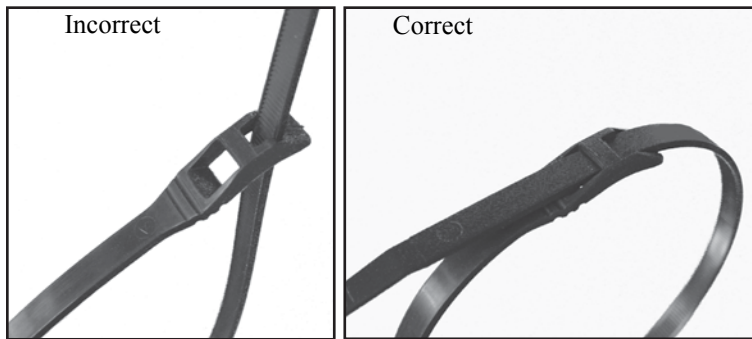
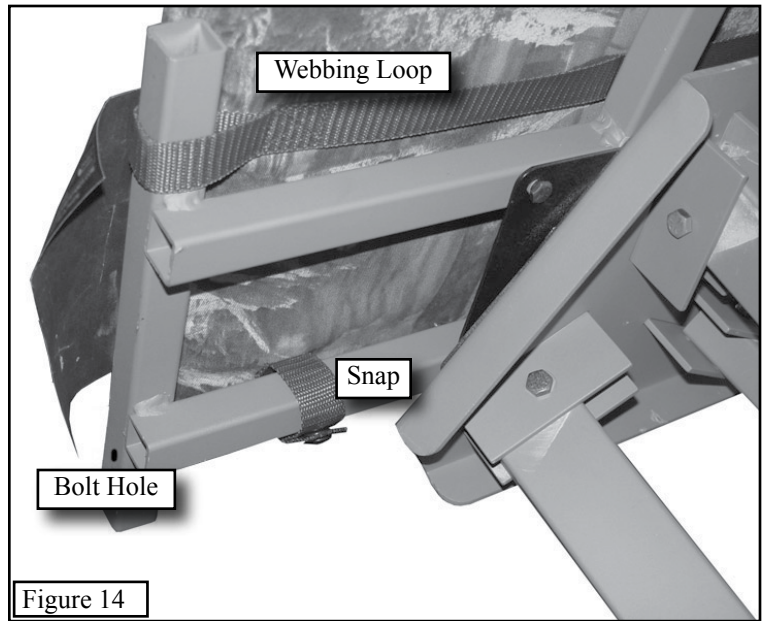
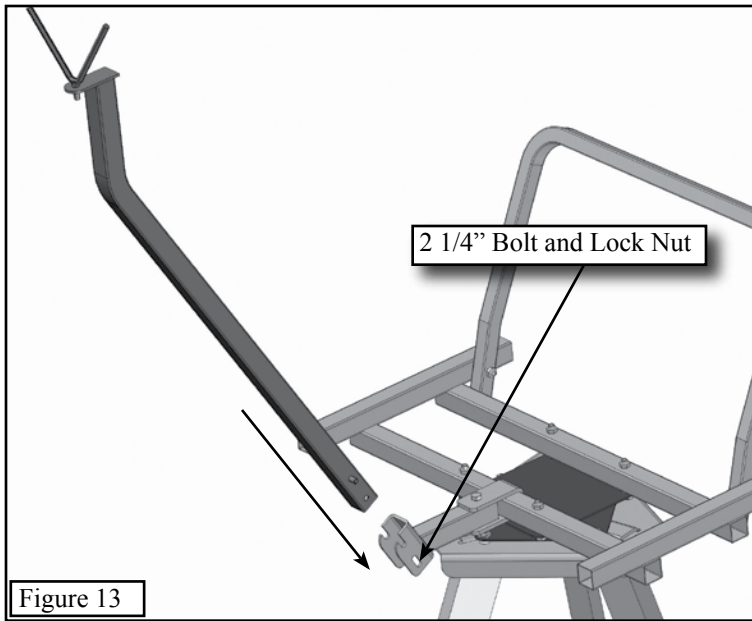


Figure 10





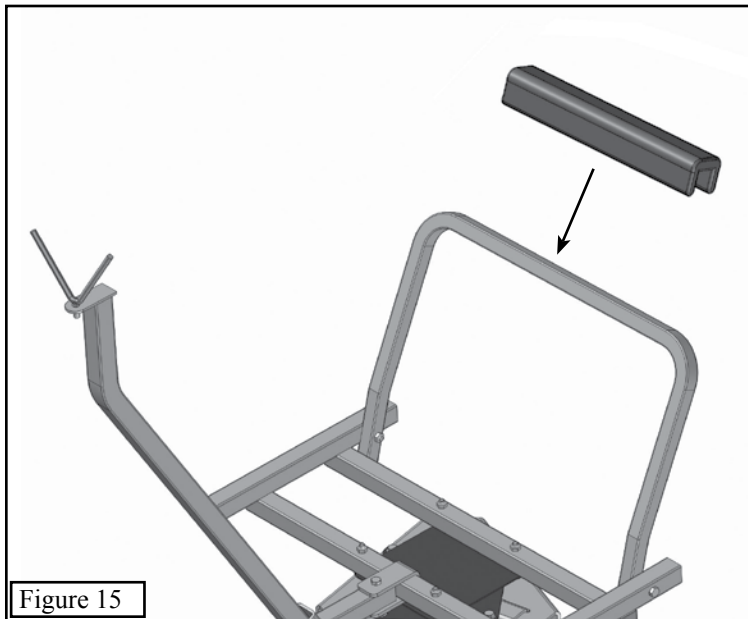


Figure 15

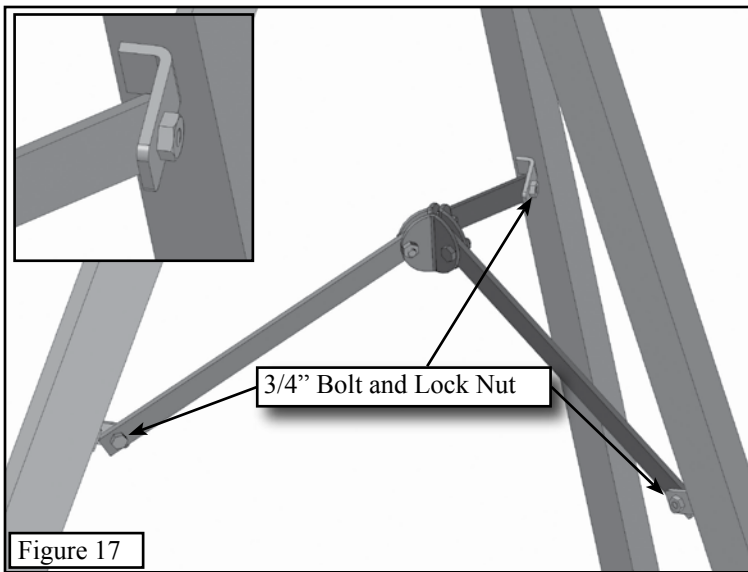


Figure 17

**Limited Warranty**

**(A) Warranty**

Summit Treestands, LLC (Summit) warrants to the original retail purchaser that all products manufactured by it are free from defects in material and manufacture at the time of shipment for sixty (60) months from the date of purchase. Summit will repair or replace any part found defective if the unit claimed to be defective shall be returned to Summit, postage prepaid, within the warranty period.

This warranty shall not apply to any product which has been subjected to misuse; misapplication; neglect (including but not limited to improper maintenance); accident; improper installation; modification (including but not limited to use of unauthorized parts or attachments); adjustment or repair. THE FOREGOING IS IN LIEU OF ALL OTHER WARRANTIES, WHETHER EXPRESS OR IMPLIED (INCLUDING THOSE OF MERCHANTABILITY AND FITNESS OF ANY PRODUCT FOR A PARTICULAR PURPOSE), AND OF ANY OTHER OBLIGATION OF LIABILITY ON THE PART OF THE COMPANY.

**(B) Limitation of Liability**

It is expressly understood that Summit's liability for its products, whether due to breach of warranty, negligence, strict liability, or otherwise, is limited to the repair of the product, as stated above, and Summit will not be liable for any other injury, loss, damage, or expense, whether direct or consequential, including but not limited to loss of use, income, profit, or damage to material, arising in connection with the sale, installation, use of, inability to use, or the repair or replacement of Summit's products.

Summit reserves the right to make alterations or modifications in its products at any time, which in its opinion, may improve the performance and efficiency of the product. It shall not be obligated to make such alterations or modifications to products already in service.

Please fill out the warranty card on the back of these instructions and return to:

**SUMMIT Treestands, LLC.  
715 Summit Dr.  
Decatur, AL 35601**

**Good Hunting and Hunt Safe!**

**HUNT TOMORROW...**

**...USE YOUR SAFETY HARNESS TODAY!**

©(STLLC 2007)

Summit products are manufactured under one or more of the following US Patents: 5,937,969; 5,971,104; 5,975,242; 5,979,603; 6,125,966; 6,182,792; 6,397,973; D,417,011; D,420,147

**Summit Bucksteps and RapidClimb Stirrups are Patent Pending**

Cut Along Line

Cut Along Line

**Warranty Card for Summit Predator Pod**

Stand Purchased: Predator Pod (PN 82028)

Owners Name: \_\_\_\_\_ Street Address: \_\_\_\_\_

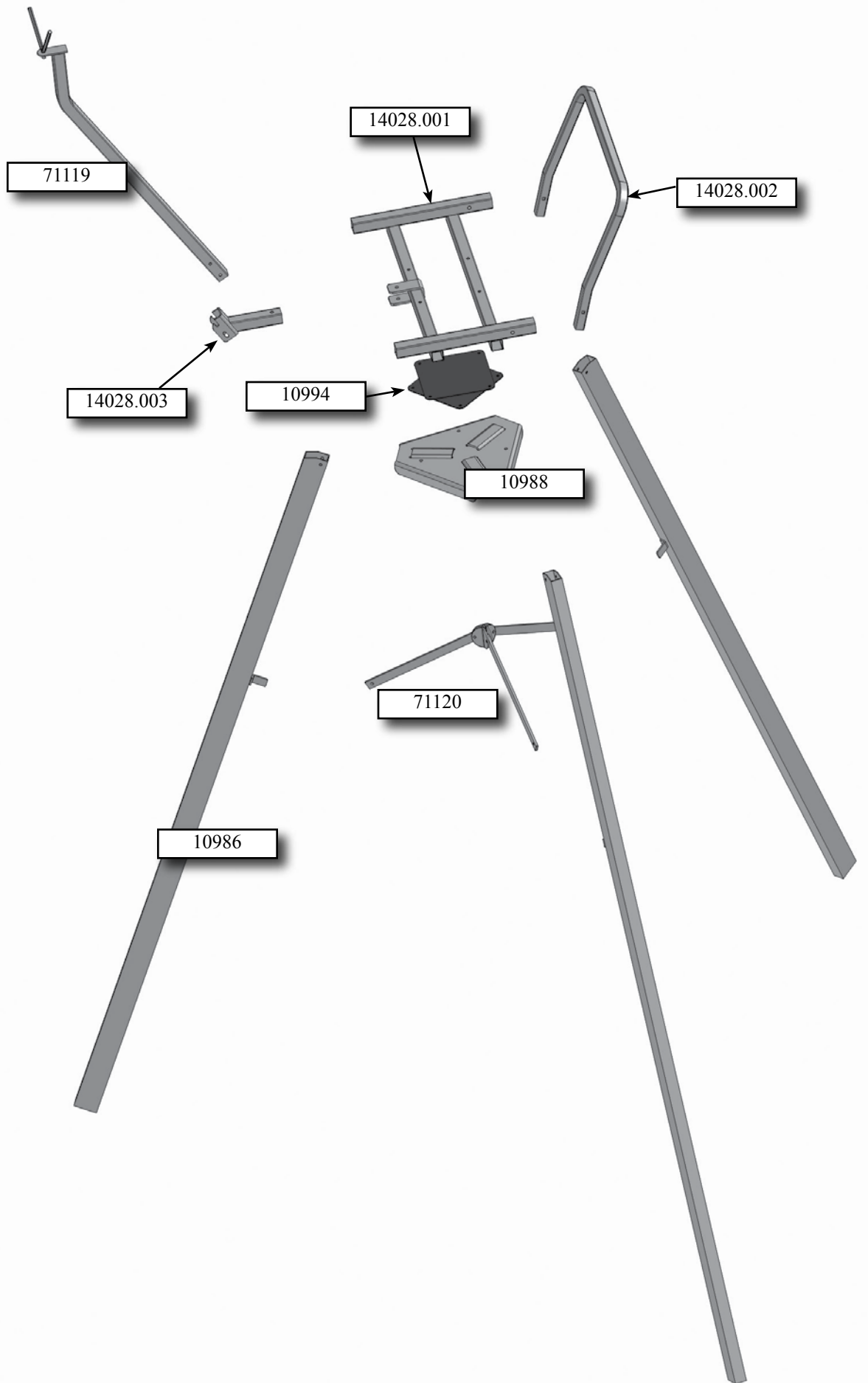
City: \_\_\_\_\_ State: \_\_\_\_\_ ZIP: \_\_\_\_\_ Phone: (\_\_\_\_) \_\_\_\_\_

Date Purchased: \_\_\_\_\_ Purchased From (Dealer Name): \_\_\_\_\_ Price \$: \_\_\_\_\_

Your heard about us through: Magazine  Advertisement  Video  Friend  Summit Catalog

Other  Please Explain: \_\_\_\_\_

You can also register your warranty card on line at: [www.summitstands.com/warranty.aspx](http://www.summitstands.com/warranty.aspx)



**SUMMIT**  
EST. 1981  
**TREESTANDS**