



**SUMMIT**  
EST. 1981  
**TREESTANDS**

# Trophy Pod

## Instruction Booklet - 2007

You **MUST** also view the enclosed DVD **BEFORE** using your new treestand!!

Weight Limit: 300 lbs. Total. **DO NOT EXCEED THIS LIMIT!**

---

### READ ME FIRST!!!

Please read carefully **BEFORE** using your new Summit Trophy Pod.

Congratulations! You have purchased the finest commercially available pod stand on the market today. Summit Pod Stands are designed and built to provide years of trouble-free, successful hunting with a minimum of maintenance and care. They are certified to meet the requirements of the Treestand Manufacturers Association (TMA) Standards. This booklet is provided to you to outline the recommended use, care and maintenance of your Summit Climbing Treestand.

## Warnings and Precautions

- **IT IS IMPORTANT TO NOTE THAT A FALL CAN OCCUR AT ANY TIME AFTER LEAVING THE GROUND!**
- **YOU MUST FULLY READ, UNDERSTAND AND FOLLOW THESE INSTRUCTIONS! PLEASE CONTACT SUMMIT TREESTANDS IF YOU HAVE ANY QUESTIONS ON THE USE OF THIS PRODUCT! FAILURE TO FOLLOW THESE INSTRUCTIONS MAY CAUSE SERIOUS INJURY OR DEATH!!**
- **DO NOT USE THIS OR ANY OTHER STAND IF YOU HAVE BEEN USING DRUGS (EVEN PRESCRIPTION) OR ALCOHOL OR ARE PHYSICALLY IMPAIRED IN ANY WAY! NEVER USE A TREESTAND WHEN FEELING ILL, NAUSEOUS OR DIZZY!**
- **FOR YOUR SAFETY, DO NOT USE ANY STAND DURING RAIN, LIGHTNING, WINDSTORMS OR WHEN IT IS ICY OR WET.**
- **DO NOT USE ANY TREESTAND IF YOU HAVE NOT FOLLOWED THE MANUFACTURERS CARE AND MAINTENANCE GUIDELINES! NEVER MODIFY YOUR STAND BY MAKING REPAIRS, REPLACING PARTS, ALTERING PARTS OR ATTACHING ANYTHING TO IT UNLESS EXPLICITLY AUTHORIZED BY SUMMIT TREESTANDS!**
- **ALWAYS INSPECT THE STAND / CABLE SYSTEM OR HANGING STRAPS AND ANY SAFETY GEAR BEFORE EACH USE! IF ANY PROBLEMS ARE FOUND - DO NOT USE THE STAND! CONTACT CUSTOMER SERVICE FOR THE APPROPRIATE REPAIR / REPLACEMENT PROCEDURE!**
- **PRIOR TO HUNTING: YOU MUST NOTIFY SOMEONE OF YOUR HUNTING LOCATION AND WHEN YOU WILL RETURN! A SIGNAL DEVICE SUCH AS A MOBILE PHONE, RADIO, WHISTLE, SIGNAL FLARE OR PERSONAL LOCATOR DEVICE (PLD) MUST BE ON YOUR PERSON AT ALL TIMES!**
- **DO NOT USE ANY STAND UNLESS YOU ARE IN GOOD PHYSICAL SHAPE. THE ABILITY TO DO SEVERAL PUSH-UPS, CHIN-UPS, SIT-UPS, ETC. IS REQUIRED FOR YOUR SAFETY!**
- **ALWAYS USE A HAUL LINE TO RAISE AND LOWER UNLOADED FIREARMS AND BOWS! FIREARMS MUST BE PULLED UP UNLOADED, CHAMBER OPEN AND MUZZLE DOWN!**
- **NEVER CLIMB WITH ANYTHING IN YOUR HANDS OR ON YOUR BACK - USE A HAUL LINE!**
- **PRACTICE USING YOUR TREESTAND AND SAFETY HARNESS AT A LOW LEVEL (5 FEET) UNTIL YOU MASTER ITS USE!**
- **BE WELL RESTED AND NEVER GET IN A HURRY. HURRYING CAUSES ACCIDENTS!!**
- **INSTRUCTIONS (WRITTEN AND VIDEO) SHOULD BE REVIEWED AT LEAST ANNUALLY. IF YOU LOAN OR SELL THIS TREESTAND, IT IS YOUR RESPONSIBILITY TO FURNISH THE BUYER A COPY OF THESE INSTRUCTIONS AND THE VIDEO THAT CAME WITH THE TREESTAND. MAKE SURE THEY WATCH THE VIDEO AND READ / UNDERSTAND THE INSTRUCTIONS!**
- **CHECK EVERY LADDER SECTION CONNECTION EVERY TIME YOU USE THE STAND. IF ANY LADDER SECTIONS ARE SEPARATING - DO NOT USE THE STAND!**
- **CHECK THE GROUND UNDER THE STAND TO MAKE SURE IT IS FIRM AND LEVEL. SLOPING GROUND OR AN UNEVEN SURFACE (ONE LADDER SECTION ON A ROCK) CAN CAUSE YOUR STAND TO TILT OR SHIFT AS YOU CLIMB!**
- **MAINTAIN THREE POINTS OF CONTACT WHEN YOU CLIMB THE LADDER SECTION OF THIS STAND!**

---

### Warning

**Before each use of your Summit Treestand, ALWAYS inspect the treestand for any structural damage, cracks, cable wear or abrasion that may have occurred in transporting your treestand. DO NOT USE IF ANY DAMAGE IS FOUND! DO NOT leave your treestand outdoors when it is not being used. Any tubing that is allowed to fill with rainwater and freeze WILL rupture or burst. DO NOT use your treestand if this happens.**

## **Section 1. Assembling Your Trophy Pod Stand.**

Please refer to page 3 for parts list. Please contact us at [www.summitstands.com](http://www.summitstands.com) or 256-353-0634 to obtain any missing parts or if your DVD does not work..

### **Part 1. Platform Assembly.**

- Step 1.** Arrange the three platform sections [expanded metal side down] as shown in **Figure 1**.
- Step 2.** Position a right and a left side platform bracket as shown in **Figure 2**. Please note the correct orientation of the brackets.
- Step 3.** Line up the holes and bolt both brackets to the two platform sections as shown in **Figure 3**. Use two 2 3/4" bolts and lock nuts to secure. Hand tighten this connection.
- Step 4.** Position a right and a left side platform bracket as shown in **Figure 3**. Line up the holes and bolt both brackets to the two platform sections as shown in **Figure 4**. Use two 2 3/4" bolts and lock nuts to secure. Hand tighten this connection.
- Step 5.** Repeat for the last platform section (see **Figure 4**.) Your completed platform assembly should look like **Figure 5** (bottom looking up).
- Step 6.** Securely tighten all 6 bolts from steps 3-5.

### **Part 2. Upper Leg Assembly.**

- Step 1.** Position the Upper Ladder Leg [has welded on rung] and the completed Platform Assembly as shown in **Figure 6**. Note the correct orientation - Platform brackets are pointing to the left and the ladder rungs are to the outside of the stand.
- Step 2.** Position the Leg between the platform brackets and secure using one 1 3/4" bolt and lock nut as shown in **Figure 7**. Hand tighten this connection.
- Step 3.** Position one regular Upper Leg as shown in **Figure 8**. Note the correct orientation. The upper bolt hole **MUST** be to the inside of the stand.
- Step 4.** Secure the Upper Leg using one 1 3/4" bolt and lock nut. Hand tighten this connection.
- Step 5.** Repeat **Step 3** for the last Upper Leg. Secure using one 1 3/4" bolt and lock nut. Hand tighten this connection. Your completed assembly should look like **Figure 9 and Figure 10**.

### **Part 3. Seat Assembly.**

- Step 1.** Position the Leg Base plate as shown in **Figure 11**.
- Step 2.** Line up the holes and lower the Base plate onto the three leg sections as shown in **Figure 11**. Secure using one 1 3/4" bolt and lock nut per hole.
- Step 3.** Securely wrench tighten the three bolts from Part 2, Steps 2-5.
- Step 3.** Position the Seat Swivel as shown in **Figure 12**. Pivot one side of the Swivel to expose the bolt holes.
- NOTE** - Leave bolts/nuts hand tight until all are started.
- Step 4.** Bolt the Seat Swivel to the Base Plate as shown in **Figure 12A**. The correct order should be: 1" bolt / Metal Washer / Swivel Plate / 1/4" Nylon Spacer / Base Plate / Lock Nut (See **Figure 12A**).
- Step 5.** Repeat 3 more times with three more 1" bolts, washers, spacers and lock nuts.
- Step 6.** Wrench tighten all bolts.
- Step 7.** Position the Seat Base Assembly as shown in **Figure 13**. Line up the bolt holes and secure to the Swivel using four 1 1/4" bolts (See **Figure 14**). Insert the bolts from the bottom and use one metal washer between the nut and the bottom of the swivel. **NOTE** - Leave bolts/nuts hand tight until all are started and then wrench tighten. The assembly may have to be rotated so the bolt can be inserted.

**Step 8.** The Trophy Pod foam seat should have two sewn in loops on the front straps and snaps on the rear. Slide the front loops over the front of the Seat Base Assembly as shown in **Figure 15**. Snap the webbing straps over the rear cross bar.

**Step 9.** Position the Arm Rest Tubes as shown in **Figure 16**. Note the correct orientation of the Arm Rest Tubes to the Seat Base. The Arm Rests should fit in the end **WITHOUT** the pre-punched bolt holes.

**Step 10.** Slide the Arm Rest Tubes approximately 4 inches into the Seat Base. Secure each Tube using one self tapping screw per side as shown in **Figure 17**.

**Step 11.** Line up the Backrest Bar as shown in **Figure 17**.

**Step 12.** Slide one 3 1/2" carriage bolt through the Backrest Bar and the Seat Base from the inside out.

**Step 13.** Align one Gun Rest Adjustment Bracket as shown in **Figure 18**. Slide the bracket over the carriage bolt and over the Seat Base tubing.

**Step 14.** Position the Neoprene washer as shown in **Figure 18**. Slide the washer over the carriage bolt.

**Step 15.** Position another Gun Rest Adjustment Bracket as shown in **Figure 18**. The teeth should face inward. Slide the bracket over the carriage bolt and seat it against the bracket/washer from **Step 13**.

**Step 16.** Slide the Gun Rest tube onto the outside bracket. Push the carriage bolt through the pre-punched hole. Use the large knob to secure. See **Figure 19**.

**Step 17.** Repeat process for the other side. The carriage bolt may have to be backed out slightly as you position the two Gun Rest Brackets and the washer between the Gun Rest tube and the Seat Base.

**Step 18.** Position the two 12" Arm Rest Pads and the 18" Gun Rest Pad as shown in **Figure 20**. Secure each pad with two zip ties. The cable ties for attaching the pads are "in-line" cable ties: Note the correct and incorrect ways of attaching. To attach - pull the cable ties snug, cut off the excess, and rotate the clasp to the underside of the pad.

### **Part 4. Ladder Step Assembly.**

**Step 1.** Position the Lower Ladder Section and the completed Upper Leg / Seat Assembly as shown in **Figure 21**. Line up the coupler plate across the joint and secure the **UPPER** hole using one 2 3/4" bolt and lock nut as shown in **Figure 22**. Be sure to run the bolt from the inside out.

**Step 2.** Slide one Cross Brace Bracket onto a 2 3/4" bolt and insert the bolt into the **LOWER** bolt hole from the inside out also shown in **Figure 22**. Secure with a lock nut. Be sure to run the bolt from the inside out. The Brace Bracket should run side to side.

**Step 3.** Slide one Cross Brace Bracket onto a 2 3/4" bolt and insert the bolt into the lower hole on the Ladder Section as shown in **Figure 21A**. Secure with a lock nut. Be sure to run the bolt from the inside out. The Brace Bracket should run side to side when completed.

**Step 4.** The completed Ladder Leg should look like **Figure 23**.

### **Part 5. Leg Assembly.**

**Step 1.** Position one Lower Leg Section (no rungs) and the completed Upper Leg / Seat Assembly as shown in **Figure 24**. Line up the coupler plate across the joint and secure the **UPPER** hole using one 2 3/4" bolt and lock nut as shown in **Figure 24**. Be sure to run the bolt from the inside out.

**Step 2.** Slide one Cross Brace Bracket onto a 2 3/4" bolt and insert the bolt into the **LOWER** bolt hole from the inside out also shown in **Figure 24A**. Secure with a lock nut. Be sure to run the bolt from the inside out. The Brace Bracket should run side to side.

**Step 3.** Slide one Cross Brace Bracket onto a 2 3/4" bolt and insert the bolt into the lower hole on the Ladder Section as shown in **Figure 25**.

Secure with a lock nut. Be sure to run the bolt from the inside out. The Brace Bracket should run side to side when completed.

**Step 4.** The completed Ladder Leg should look like **Figure 25**.

## **Part 6. Support Brace Assembly.**

**Step 1.** Carefully stand the completed ladder assembly up.

**Step 2.** Position two of the support braces as shown in **Figure 26**.

- **Brace A** bolts to the **OUTSIDE** of the **UPPER** brace bracket and to the **OUTSIDE** of the **LOWER** brace bracket.
- **Brace B** bolts to the **INSIDE** of the **LOWER** brace bracket and to the **INSIDE** of the **UPPER** brace bracket.

**The braces should crisscross in the middle- one on top of the other.**

**Step 3.** Secure each brace using one 1 1/2" bolt and lock nut at each joint. Run the bolts from the inside out and **HAND TIGHTEN ONLY**.

**Step 4.** Position two more support braces as shown in **Figure 27**.

- **Brace C** bolts to **OUTSIDE** of the **UPPER** brace bracket and to the **OUTSIDE** of the **LOWER** brace bracket.
- **Brace D** bolts to the **INSIDE** of the **LOWER** brace bracket and to the **INSIDE** of the **UPPER** brace bracket.

See the inset figure for the proper brace arrangement on the **UPPER** and **LOWER** braces. **Run all bolts from the inside out and leave all bolts hand tight until the final step.** Secure using one 1 1/2" bolt and lock nut at each joint. See **Figure 27A** for proper brace / bolt arrangement for the upper mounting locations. Braces should be staggered at each location - one on the outside, one on the inside. See **Figure 27B** for proper brace / bolt arrangement for the lower mounting locations.

**Step 5.** Position the last two support braces as shown in **Figure 28**.

**Brace E** bolts to the **OUTSIDE** of the **UPPER** brace bracket and to the **OUTSIDE** of the **LOWER** brace bracket.

**Brace F** bolts to the **INSIDE** of the **LOWER** brace bracket and to the **INSIDE** of the **LOWER** brace bracket. **Run all bolts from the inside out.** Secure using one 1 1/2" bolt and lock nut at each joint.

**Step 6** Securely tight **ALL BOLTS** from Step 1-5!

## **Section 2. Use of the Trophy Pod.**

**WARNING: THE TROPHY POD IS DESIGNED TO WORK ON LEVEL GROUND ONLY. MAKE SURE THAT THE LOCATION YOU CHOOSE IS FREE OF ROCKS OR OTHER DEBRIS.**

**WARNING: THE GUN REST ASSEMBLY IS NOT TO BE USED AS A HAND HOLD WHILE CLIMBING INTO THE STAND!!! ALWAYS PIVOT THE GUN REST BEHIND YOU BEFORE YOU EXIT THE STAND!**

**DO NOT USE THE GUN REST AS A FOOTREST!**

**Step 1.** Select a suitable position for the Trophy Pod - **MAKE SURE THE GROUND IS LEVEL!** and **MAKE SURE YOU DO NOT PLACE A LEG ON A ROCK OR STUMP!**

**Step 2.** Secure each leg using the supplied spikes. Insert the Spike into the opening on the leg and push it down to secure as shown in **Figure 29**.

**Step 3.** Tie your gun or bow to a pull-up rope and then tie the other end to your belt or around the top of the stand where you can reach it.

**Step 4.** Carefully climb up the steps - **ALWAYS MAINTAIN THREE POINTS OF CONTACT WHILE CLIMBING.** Once you reach the seat, step up onto the platform and swivel the seat so it is facing you. Carefully sit down.

**Step 5.** Loosen the large knobs on the Gun Rest and bring the rest up and over your head to your desired shooting position.

**Step 6.** Pull up your gun or bow and begin hunting.

## **Section 3. Maintenance and Care of Your Treestand.**

Because of the quality construction techniques used in manufacturing, your Summit Trophy Pod is very durable under normal hunting conditions. However, since all hunting equipment that is exposed to the elements requires some maintenance and care, the following guidelines for caring for your treestand should be used. **DO NOT** leave your treestand outdoors when it is not being used. **Any tubing that is allowed to fill with rainwater and freeze WILL rupture or burst. DO NOT use your treestand if this happens.** If your stand is exposed to the elements, it will be necessary to cover the seat or remove it to prevent rain and moisture from saturating the material. This will extend the life of the seat material as well as make it more comfortable the next time it is used.

The powder coat finish that is applied at the factory is very durable and should need touch ups only in areas of heavy wear or accidental impact.

Should you damage any part of your Summit Trophy Pod, contact your nearest authorized Summit dealer or the factory to obtain the proper corrective action procedure and/or replacement parts for the stand. Unauthorized repairs, modifications, or alterations will void the warranty and could degrade the integrity of the stand. You must perform periodic inspections of the treestand for damage. **WARNING: DO NOT use the stand if ANY obvious or suspected damage is observed.**

**CAUTION:** Look for nicks, gouges, cuts, cracks, bends, corrosion or similar damage that can be the result of improper use or accidental damage. For instance, this could occur if someone else used the treestand without knowledge of its proper use, or if the stand were dropped, hit by a motor vehicle or subject to corrosive conditions, etc. Summit Pod Stands have the highest structural integrity by design, material selection and manufacturing techniques, but as its owner, only your continued care will assure trouble free performance. When the above-mentioned guidelines are followed, your Summit Trophy Pod will provide years of successful hunting.

Summit products are manufactured under one or more of the following US Patents: 5,937,969; 5,971,104; 5,975,242; 5,979,603; 6,125,966; 6,182,792; 6,397,973; D,417,011; D,420,147

Summit Bucksteps and RapidClimb Stirrups are Patent Pending



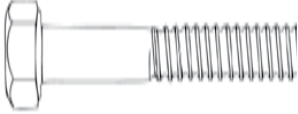



**BOX CONTENTS**

PN	Description	QTY
14038.001	Seat Base Assembly	1
14038.002	Leg Base Plate	1
14038.003	Platform Section	3
14038.004	Upper Ladder Leg	1
14038.005	Lower Ladder Leg	1
14038.006	Lower Leg	2
14038.007	Upper Leg	2
14038.008	Right Side Platform Bracket	3
14038.009	Left Side Platform Bracket	3
14038.010	Cross Brace Bracket	6
14038.011	Coupler Plate	3
14038.012	Cross Brace	6
14038.013	Arm Rest Tube	2
14038.014	Gun Rest Tube	1
14038.015	Backrest Bar	1
14038.016	Spike	3
74207	Foam Seat	1
70806	Accessory Packet	1





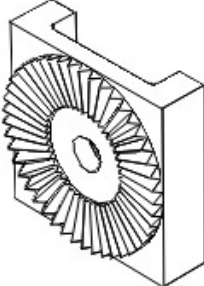
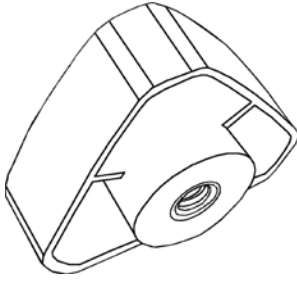


**70806 ACCESSORY PACKET CONTENTS**

PN	Description	QTY
74223	12" Arm Pad	2
74224	18" Gun Rest Pad	1
10656	Cable Tie	7
Written instructions for this Stand		
2007 DVD		
22038	Hardware Kit	1

**22033 HARDWARE KIT X-POD**

PN	Description	QTY
<b>10610</b>	<b>2 3/4" Bolt (5/16 -18)</b>	<b>15</b>
		
<b>10615</b>	<b>1 3/4" Bolt (5/16 -18)</b>	<b>6</b>
		
<b>10611</b>	<b>1 1/2" Bolt (5/16 -18)</b>	<b>12</b>
		
<b>10617</b>	<b>Centerlock Nuts (5/16 -18)</b>	<b>33</b>
		
<b>10624</b>	<b>1" Bolt (1/4 -20)</b>	<b>4</b>
		
<b>10604</b>	<b>1 1/4" Bolt (1/4 -20)</b>	<b>4</b>
		

**22033 HARDWARE KIT X-POD (continued)**

PN	Description	QTY
<b>10642</b>	<b>1/4" Nylon Spacer</b>	<b>4</b>
		
<b>10625</b>	<b>1/4" Metal Washer</b>	<b>8</b>
		
<b>10612</b>	<b>1/4" Lock Nut (1/4 -20)</b>	<b>8</b>
		
<b>10632</b>	<b>3 1/2" Carriage Bolt (1/4 -20)</b>	<b>2</b>
		
<b>10544</b>	<b>Adjustment Bracket</b>	<b>4</b>
		
<b>10660</b>	<b>Knob</b>	<b>2</b>
		
<b>10633</b>	<b>Neoprene Washer</b>	<b>2</b>
		
<b>10635</b>	<b>Self Tapping Screws</b>	<b>2</b>
		

**Tools Required**

- 1/2" Socket and Ratchet
- 1/2" Wrench
- 7/16" Socket
- 7/16" Wrench
- Phillip's Head Manual or Powered Screw Driver
- Side Cutters or Knife for Trimming Cable Ties

Figure 1

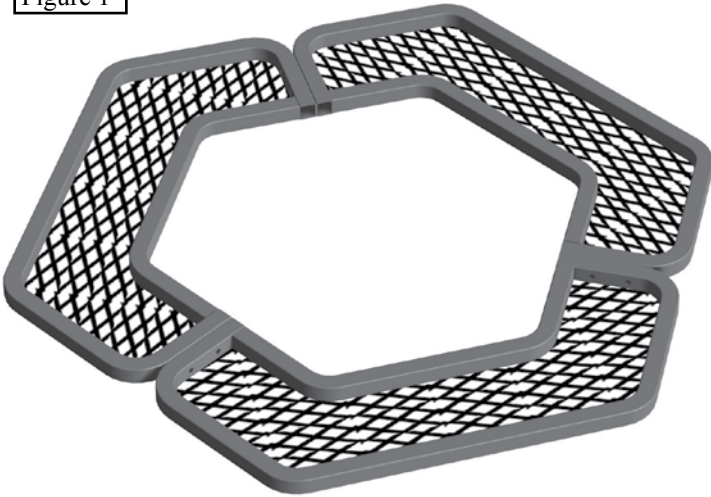


Figure 2

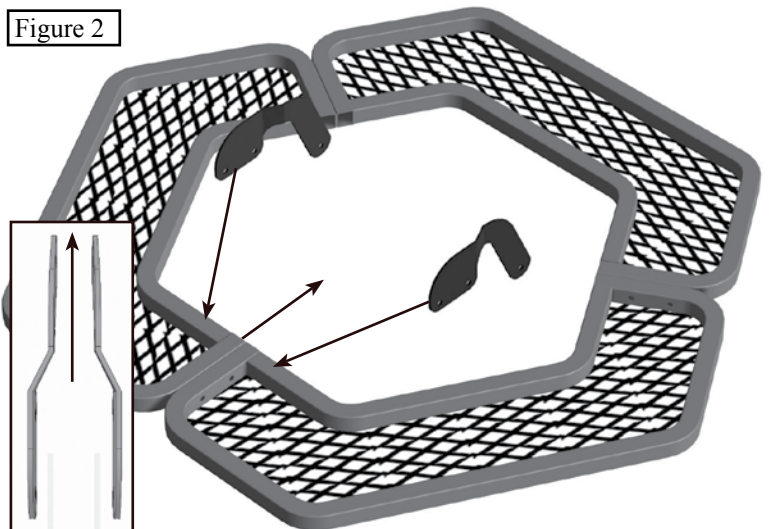


Figure 3

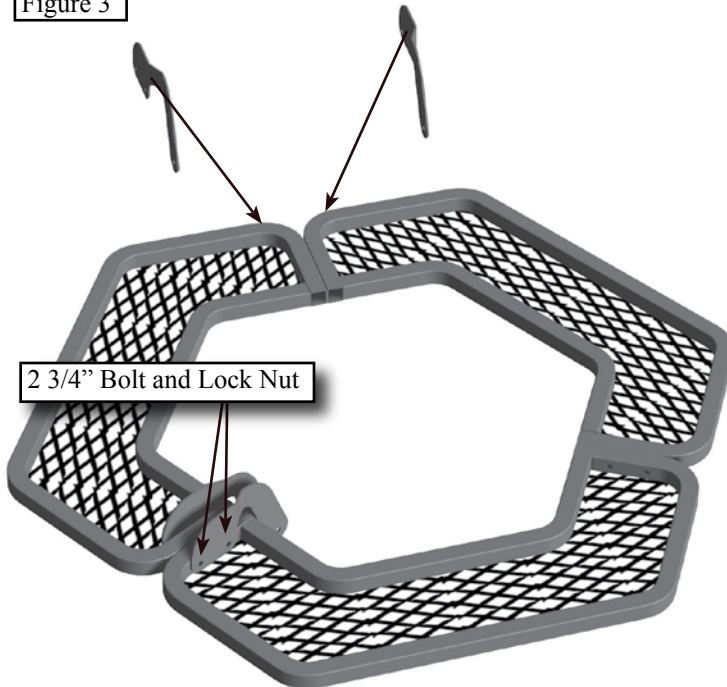


Figure 4

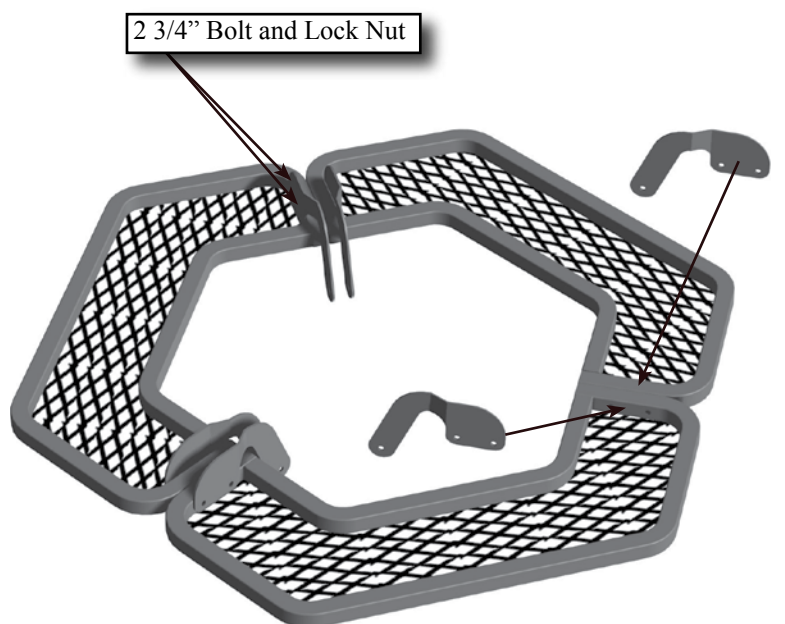


Figure 5

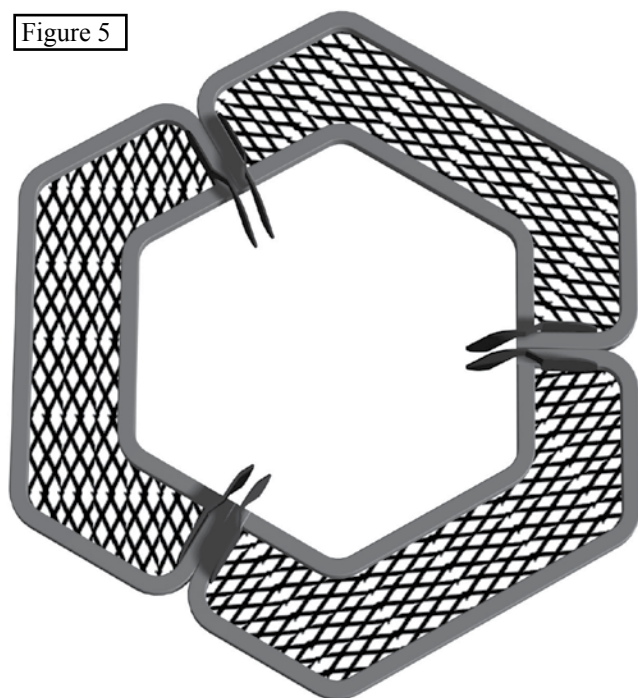


Figure 6

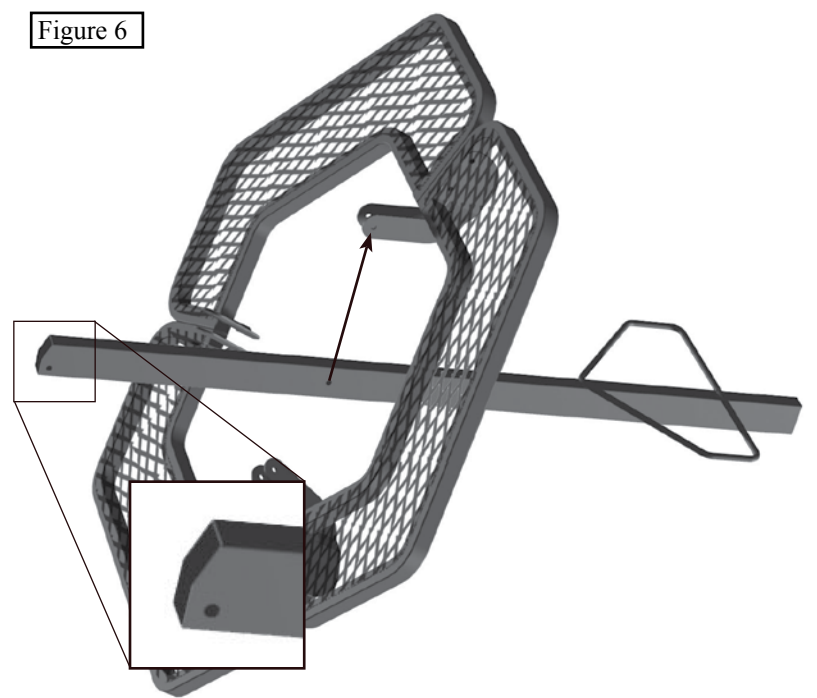


Figure 7

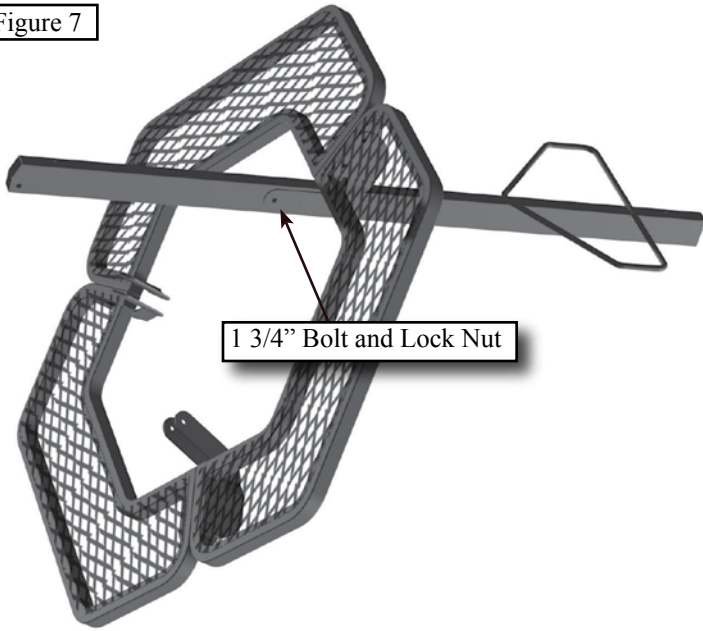


Figure 8

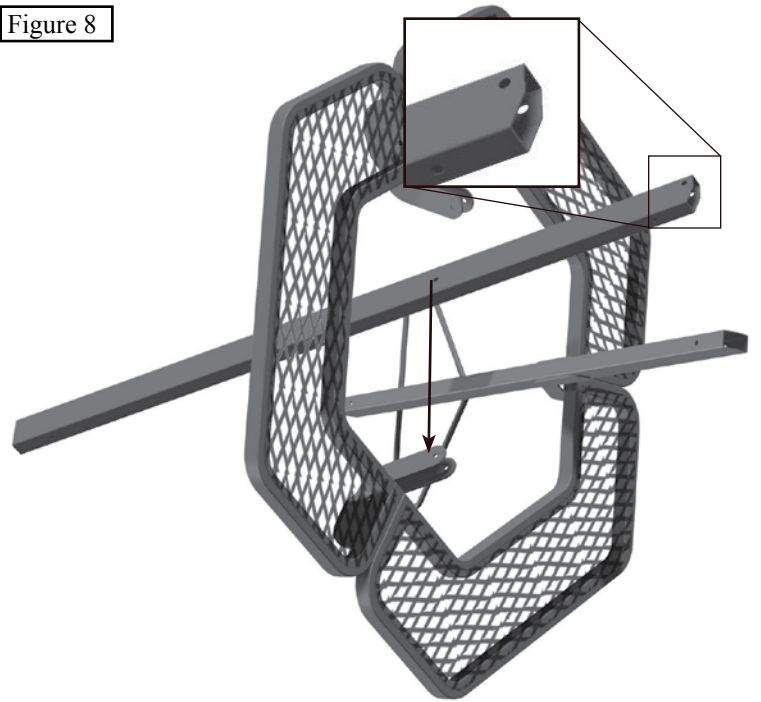


Figure 11

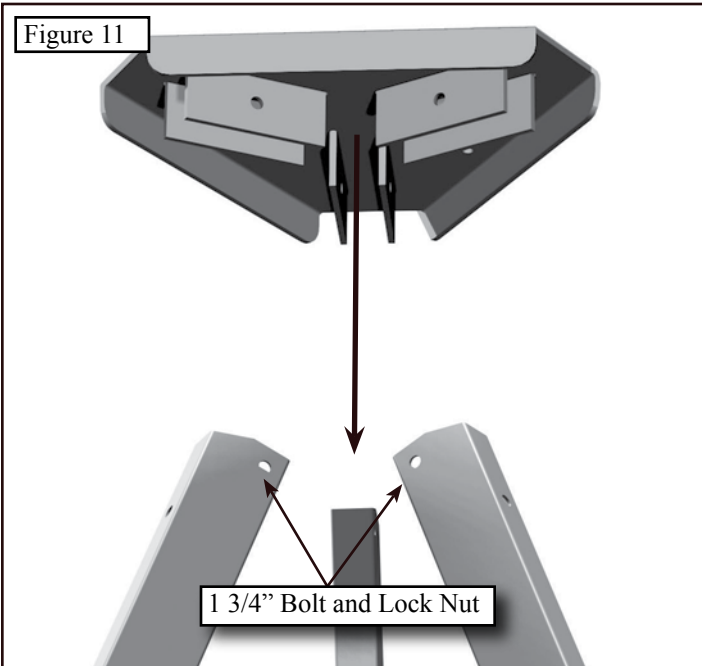


Figure 12

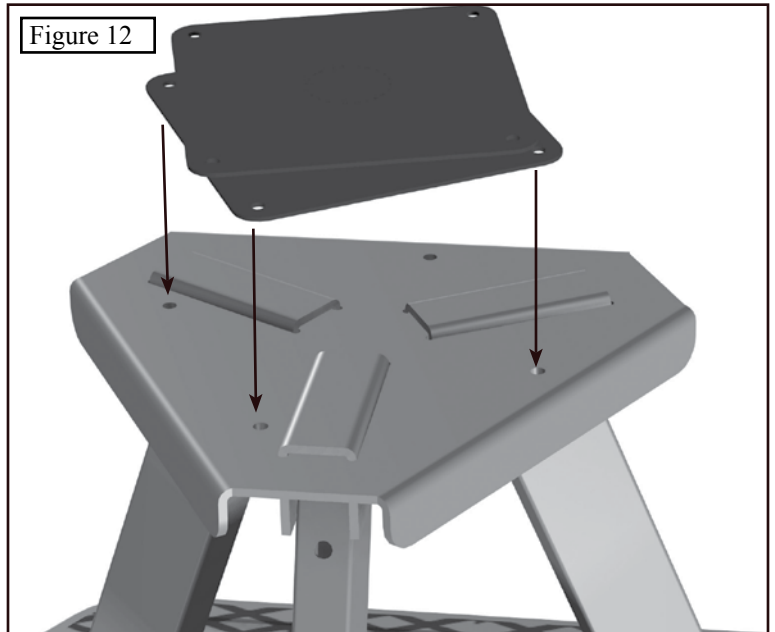


Figure 14

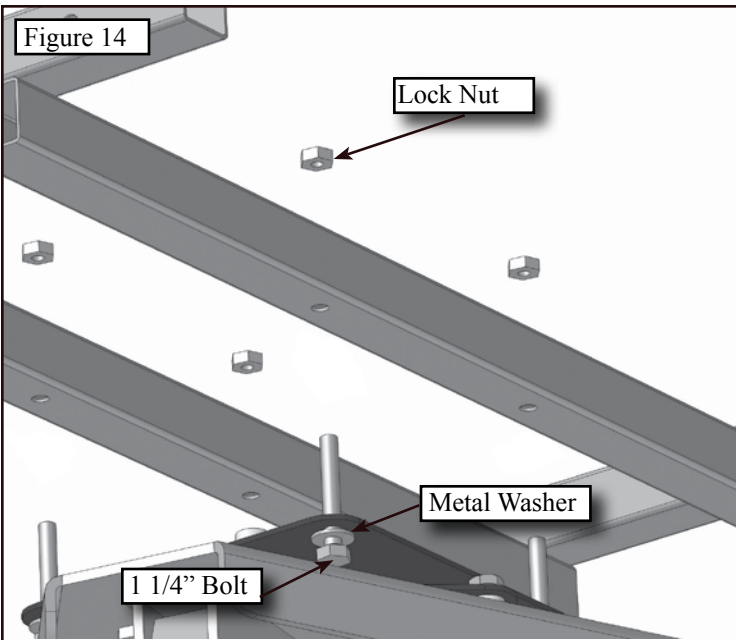


Figure 15

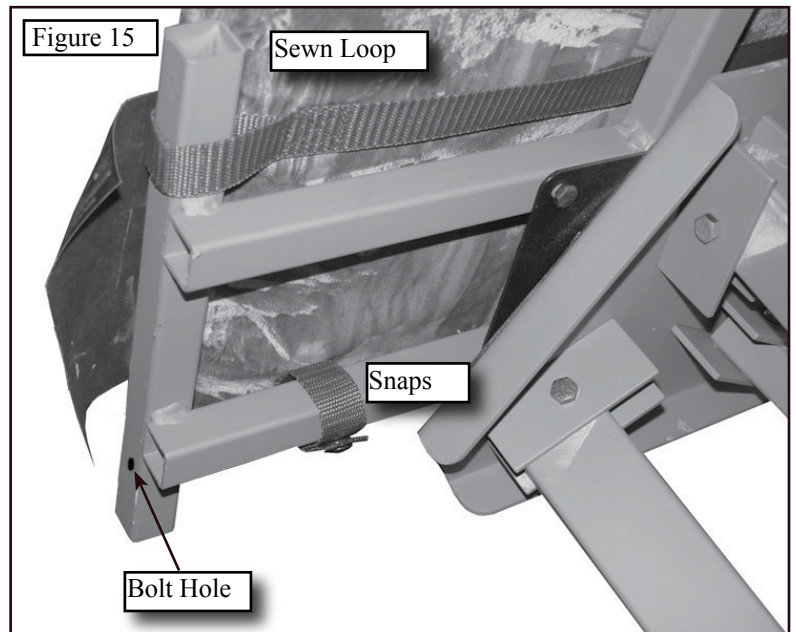


Figure 9

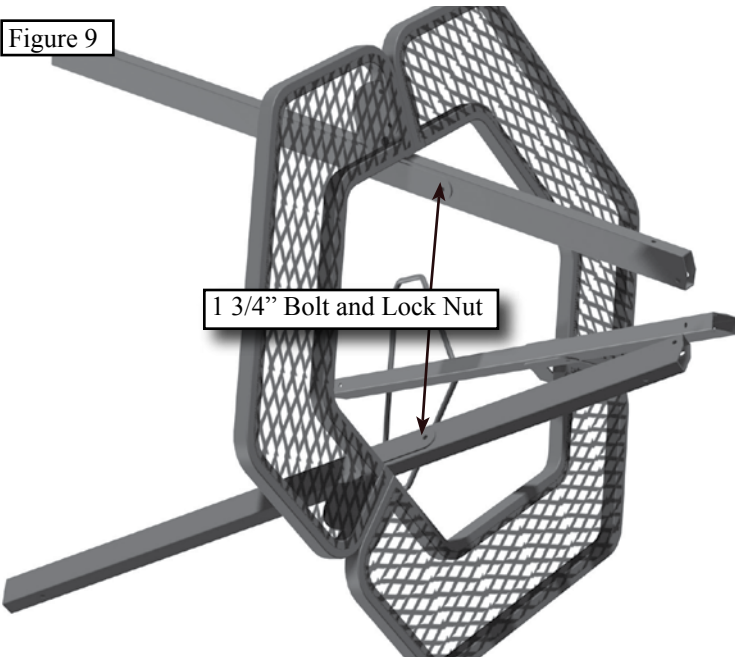


Figure 10

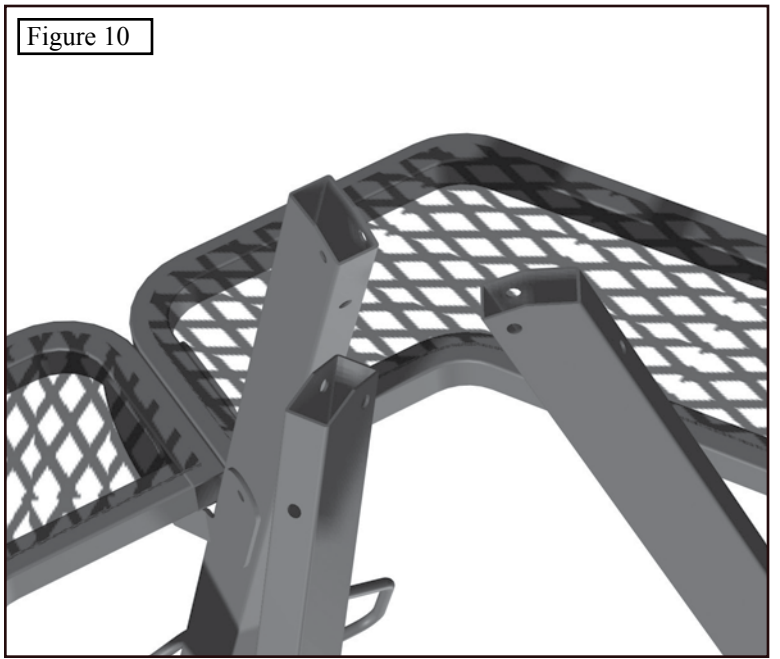


Figure 12A

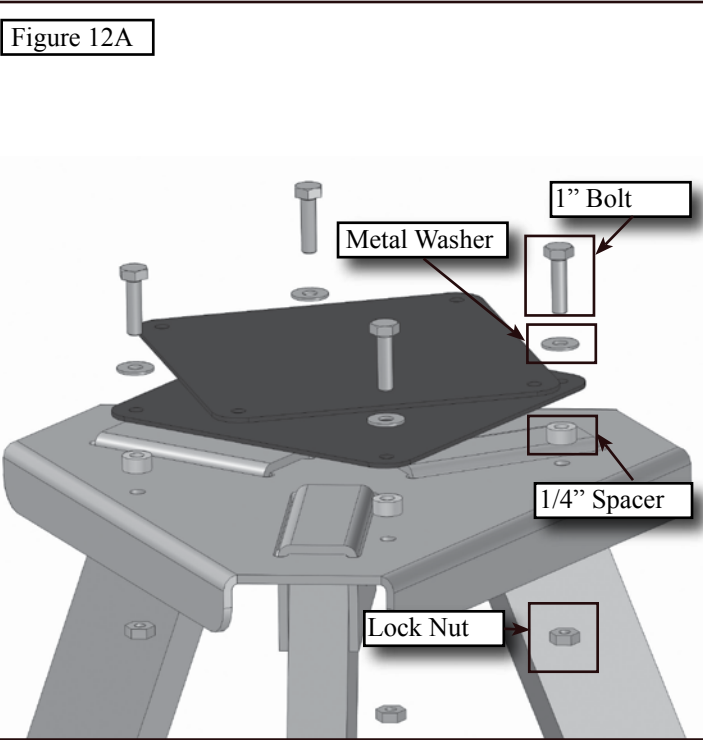


Figure 13

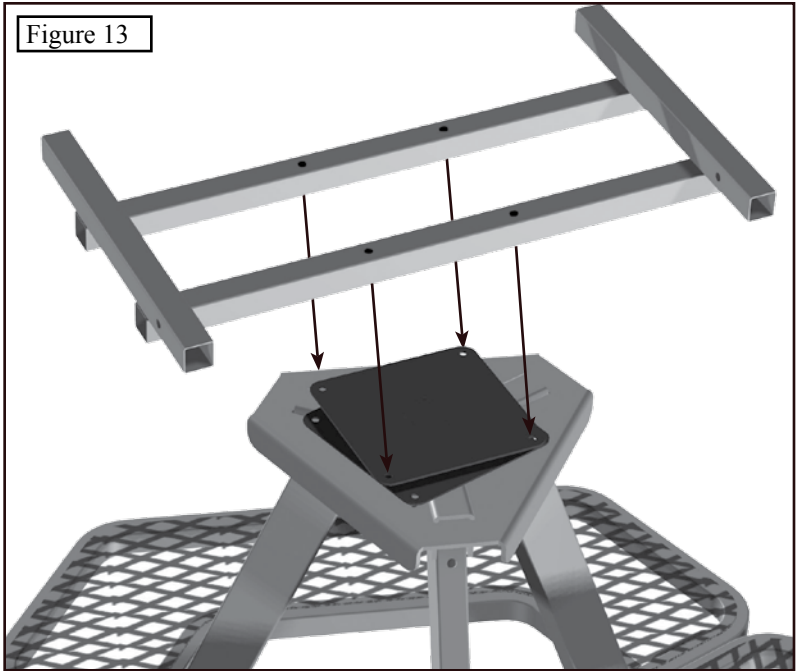


Figure 16

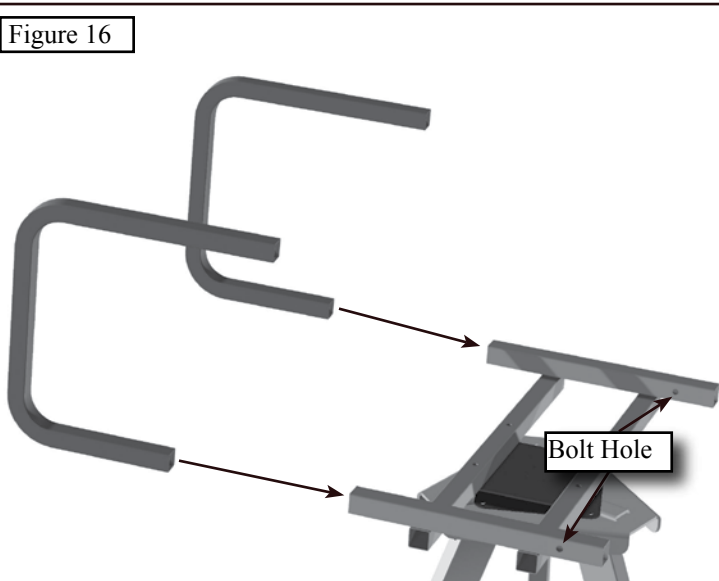
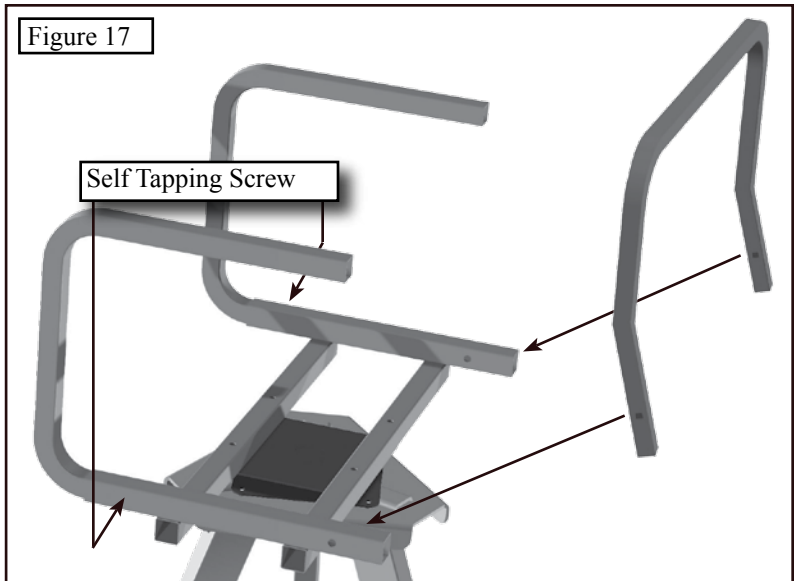
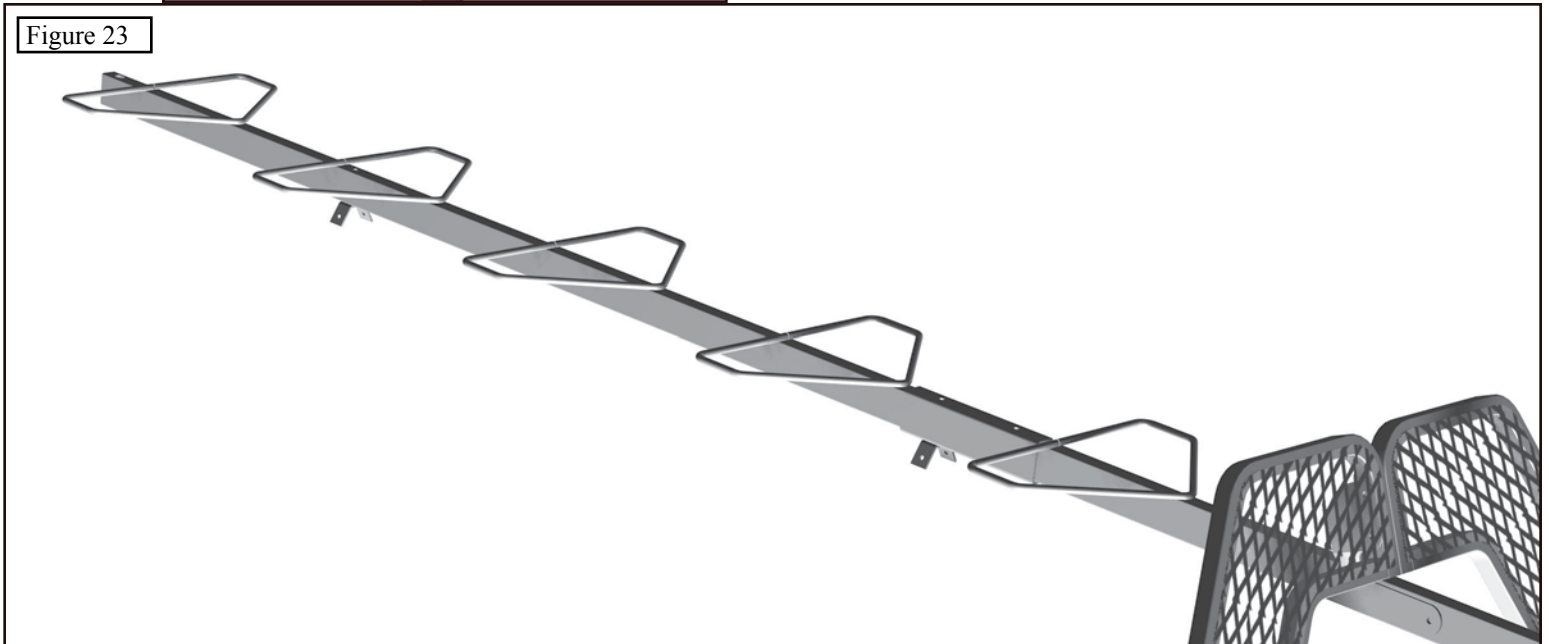
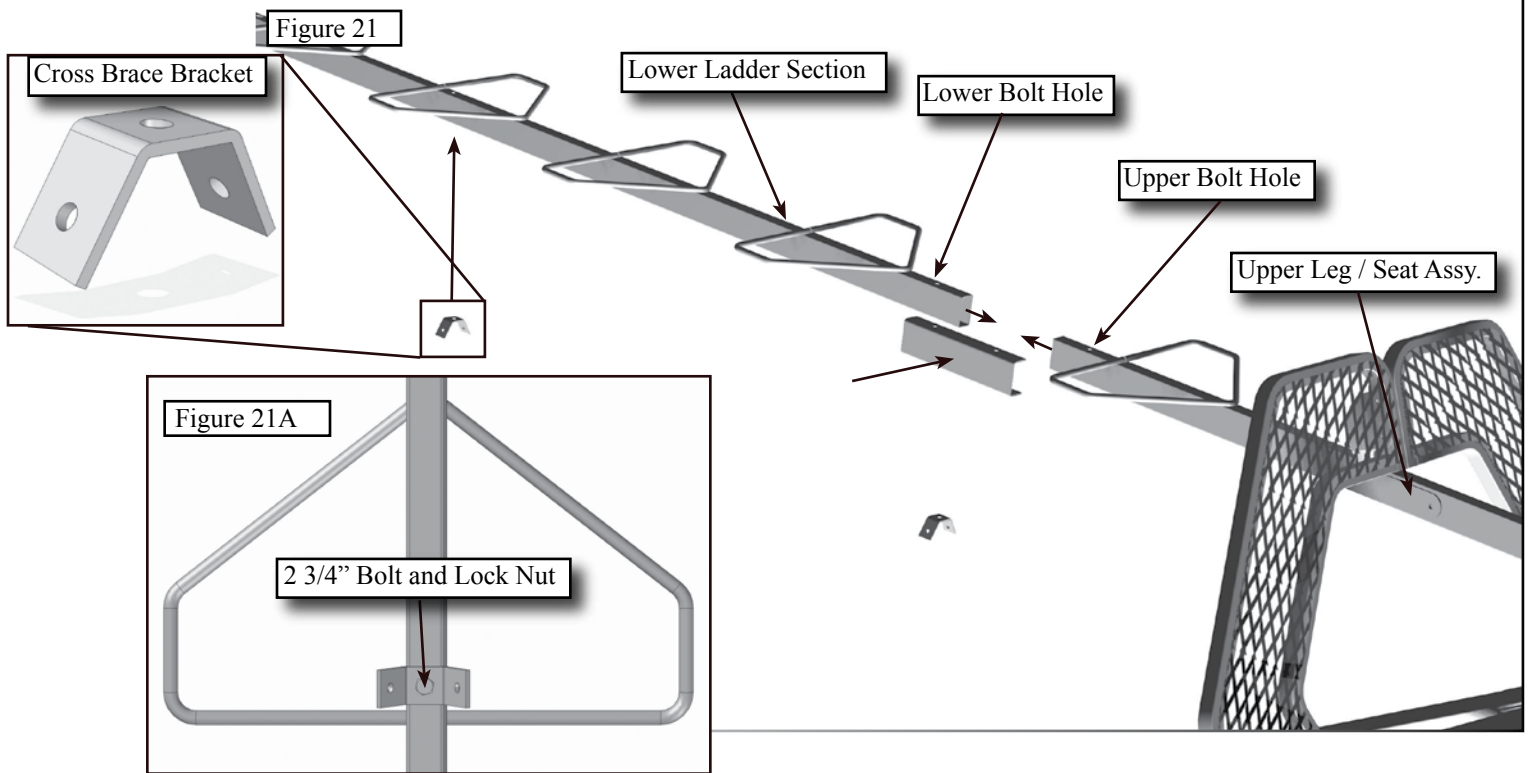
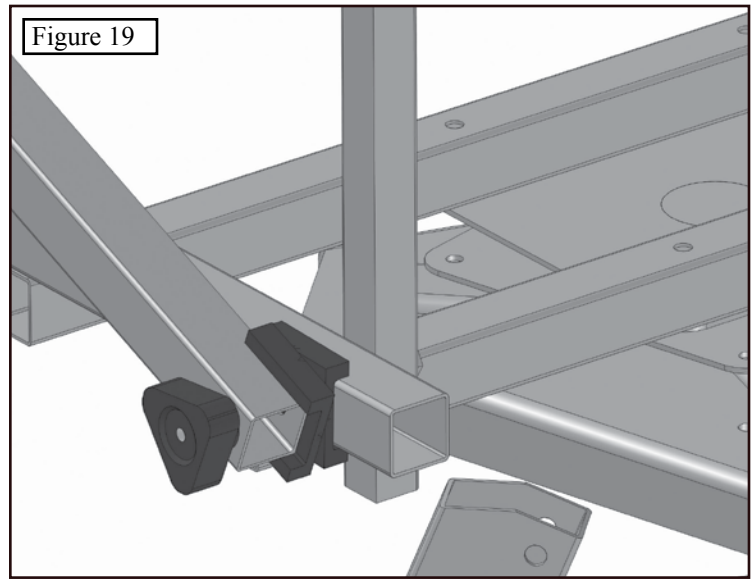
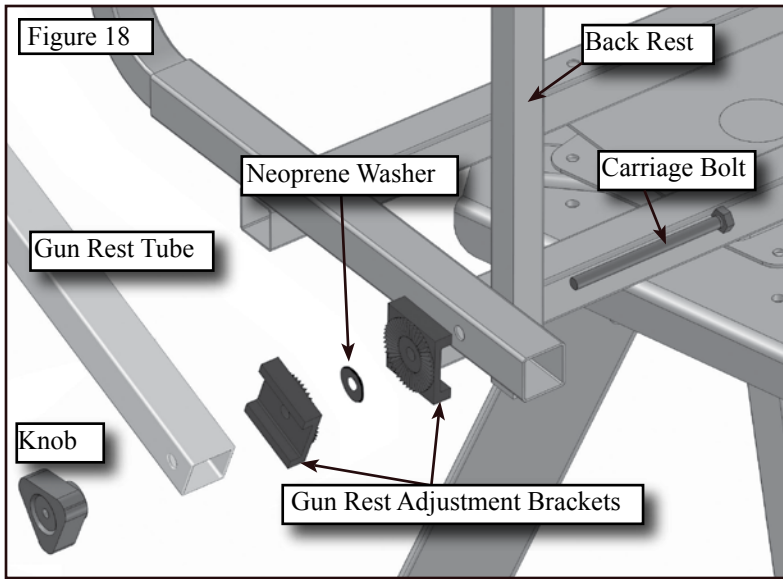


Figure 17







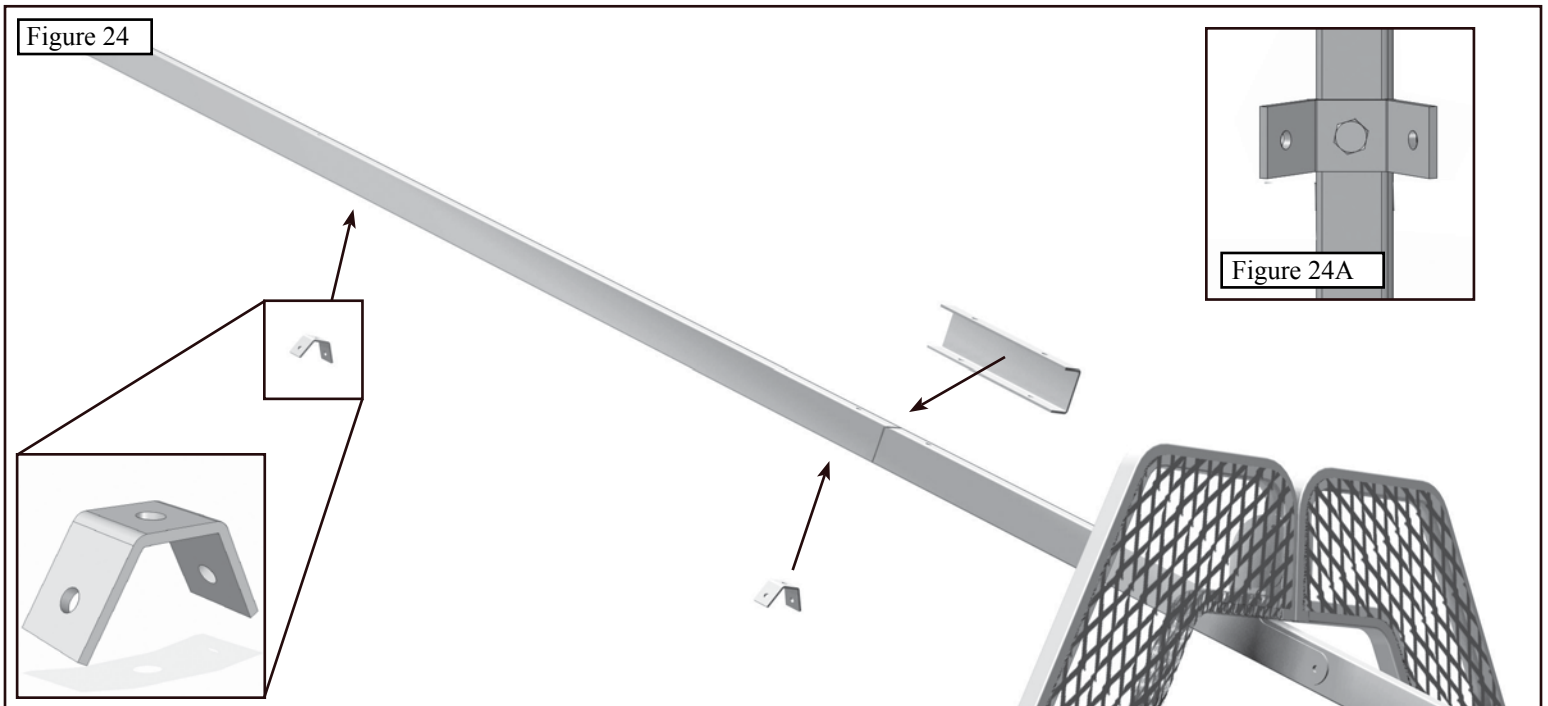
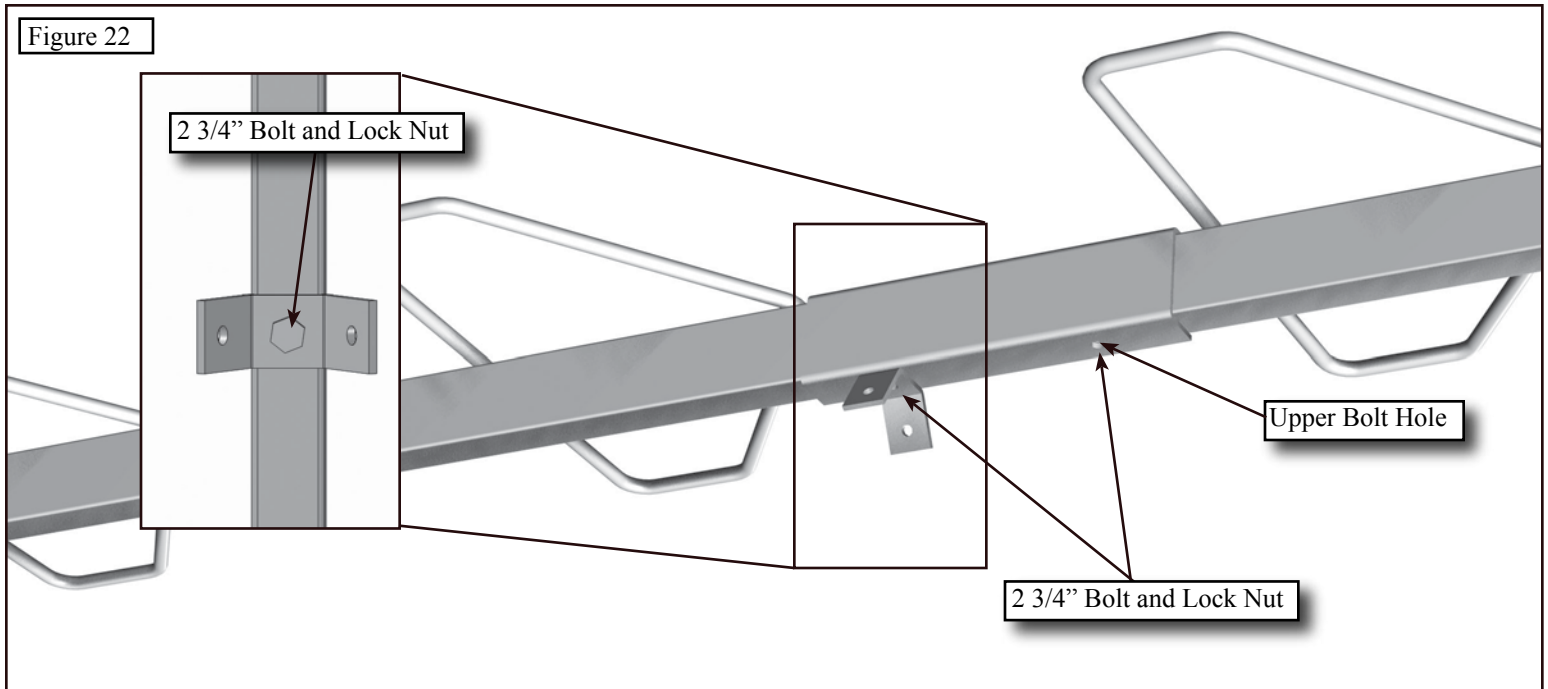
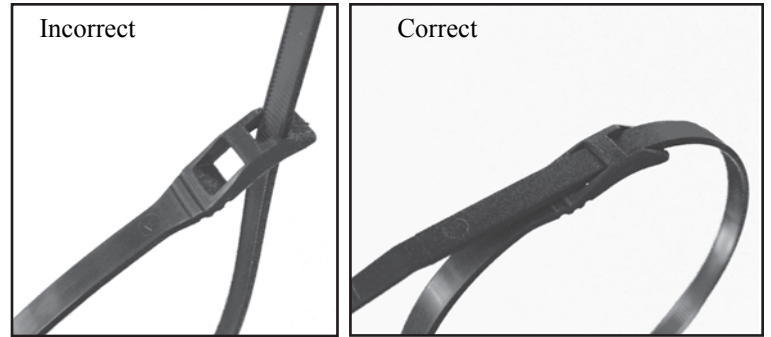
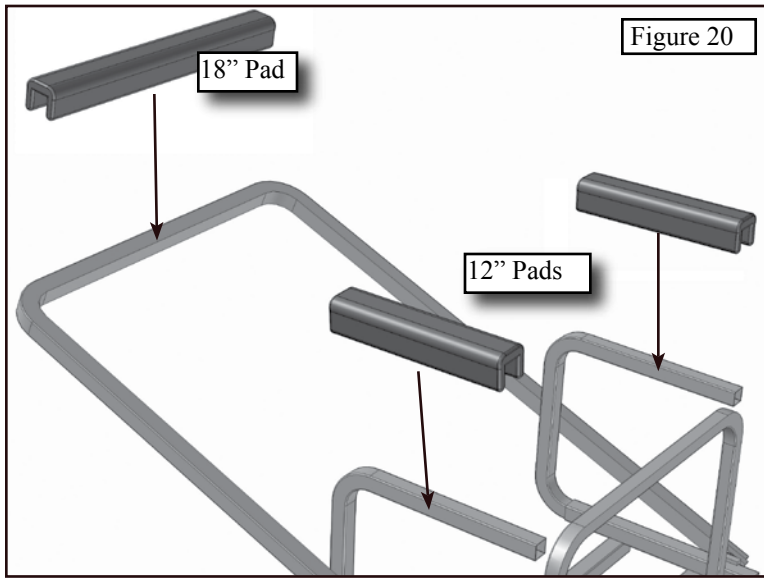


Figure 25

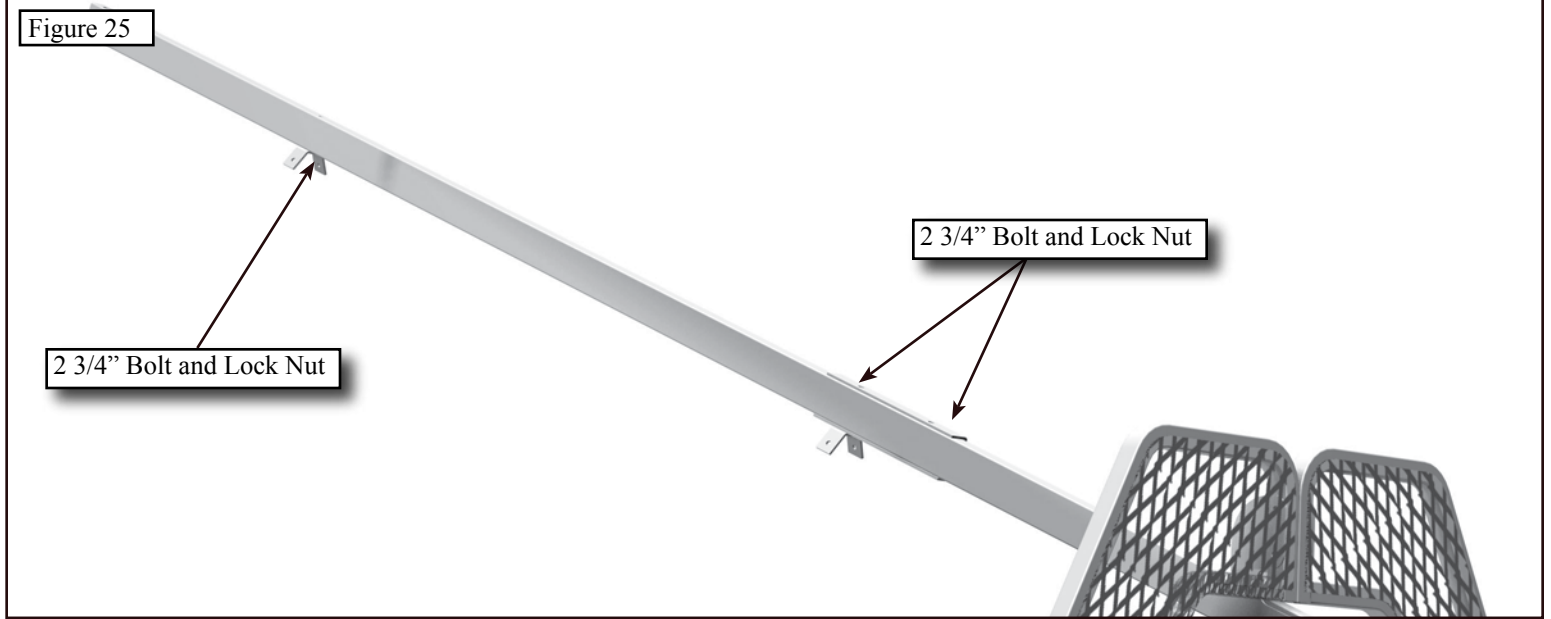


Figure 27

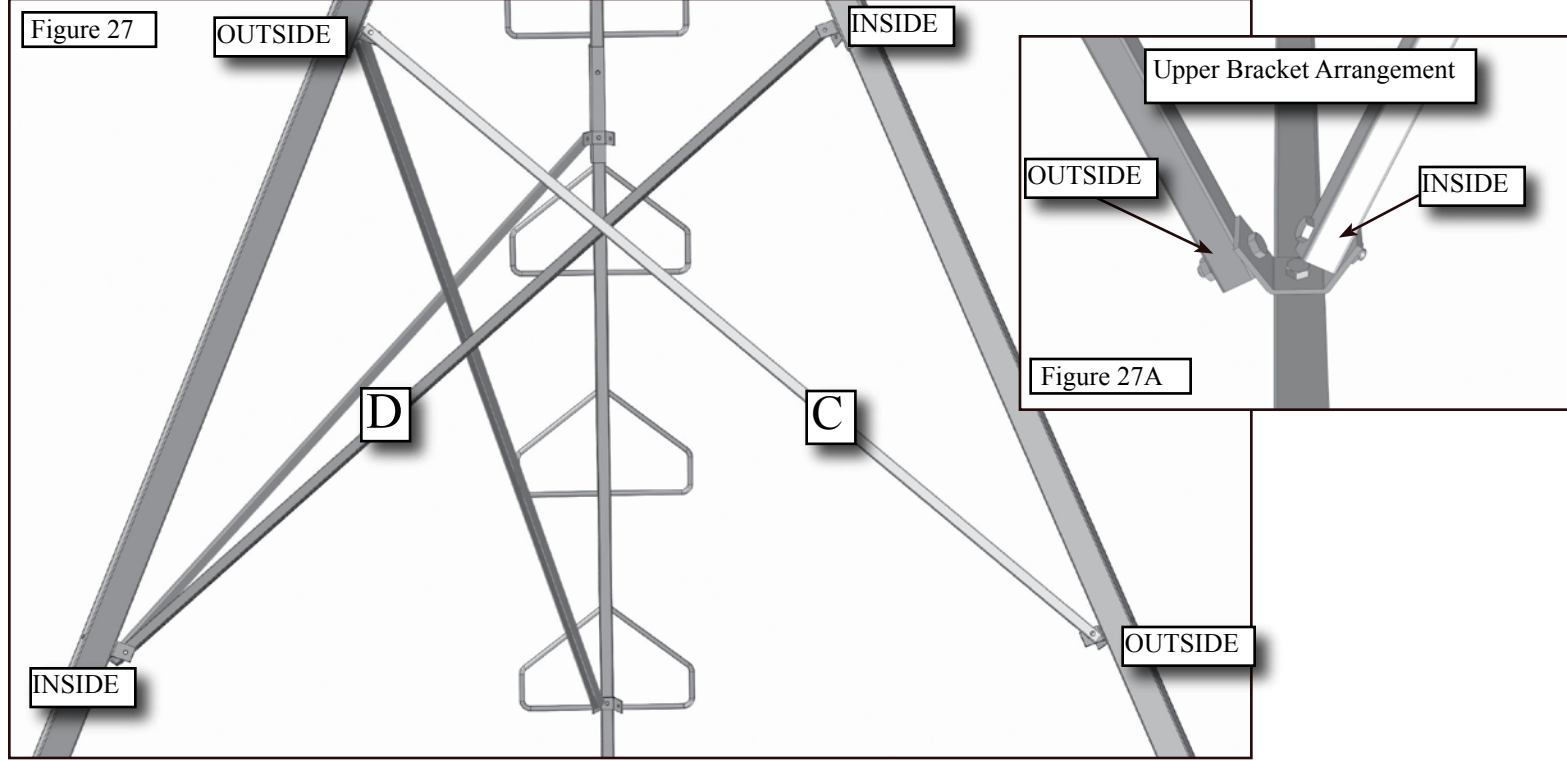


Figure 27B

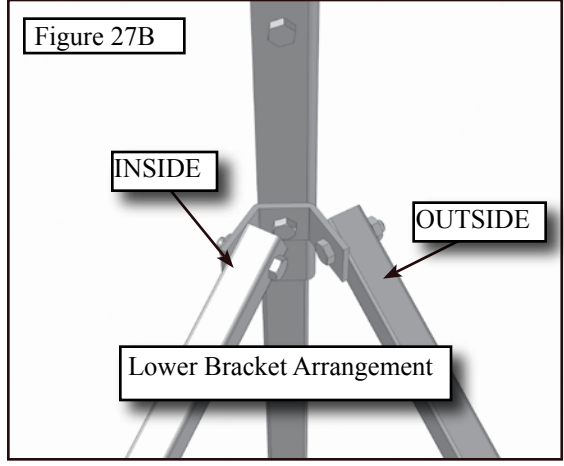
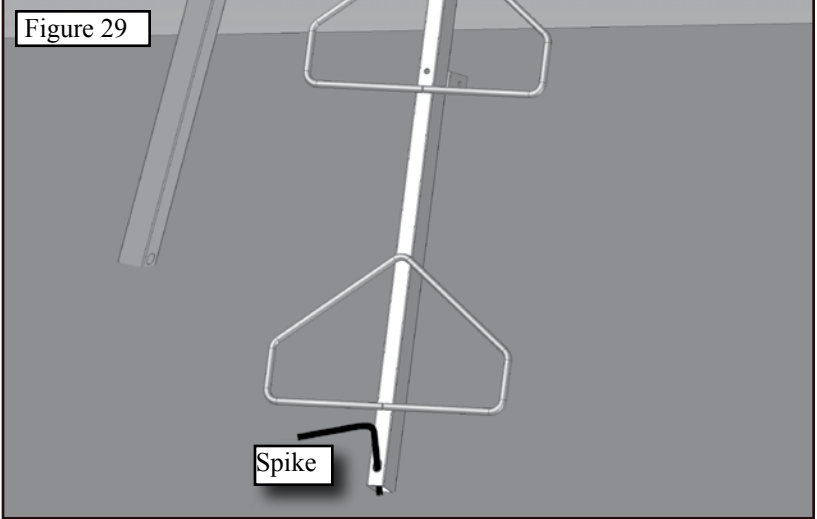


Figure 29



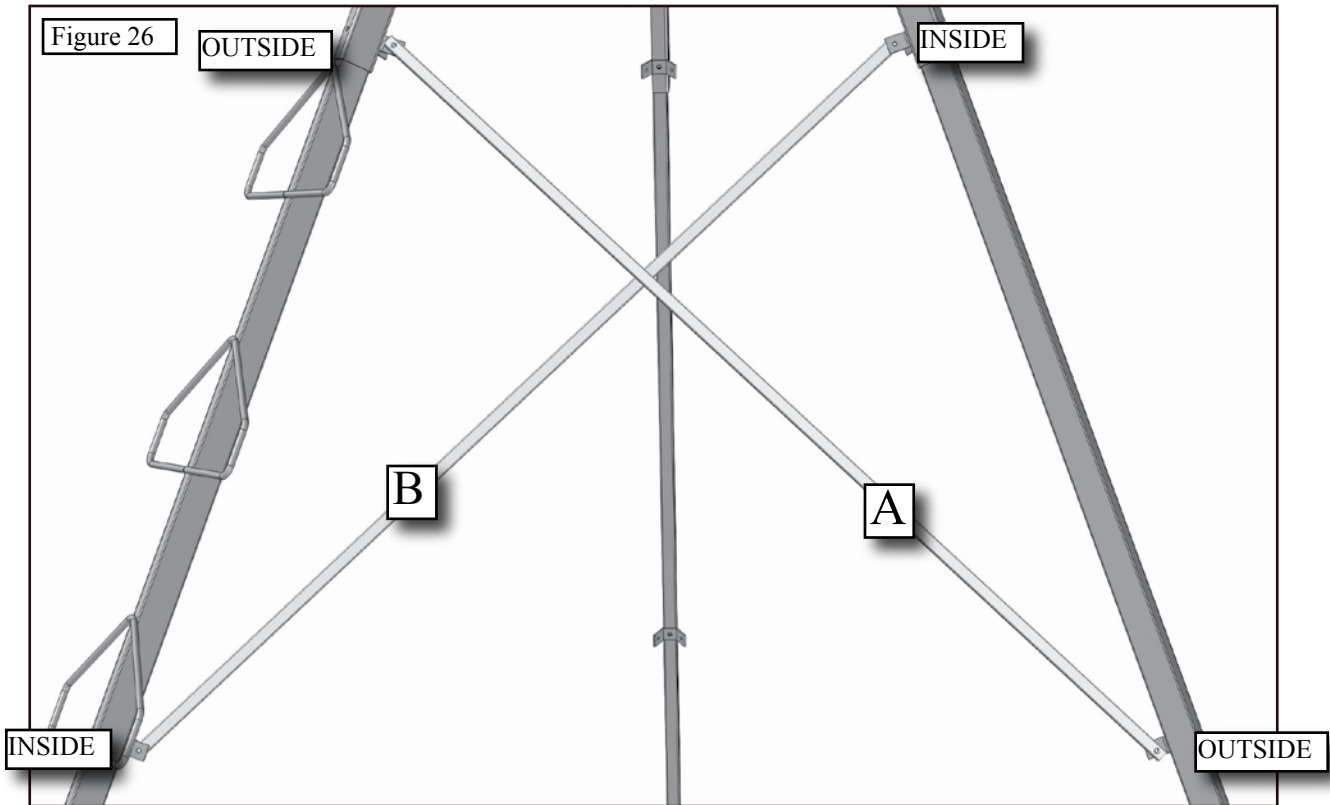


Figure 26

OUTSIDE

INSIDE

B

A

INSIDE

OUTSIDE

Figure 28

OUTSIDE

INSIDE

F

E

INSIDE

OUTSIDE

Cut Along Line

Cut Along Line

**Warranty Card for Summit Trophy Pod (82038)**

Owners Name: \_\_\_\_\_ Street Address: \_\_\_\_\_

City: \_\_\_\_\_ State: \_\_\_\_\_ ZIP: \_\_\_\_\_ Phone: (\_\_\_\_) \_\_\_\_\_

Date Purchased: \_\_\_\_\_ Purchased From (Dealer Name): \_\_\_\_\_ Price \$: \_\_\_\_\_

Your heard about us through: Magazine  Advertisement  Video  Friend  Summit Catalog

Other  Please Explain: \_\_\_\_\_

You can also register your warranty card on line at: [www.summitstands.com/warranty.aspx](http://www.summitstands.com/warranty.aspx)

## Limited Warranty

### (A) Warranty

Summit Treestands, LLC (Summit) warrants to the original retail purchaser that all products manufactured by it are free from defects in material and manufacture at the time of shipment for sixty (60) months from the date of purchase. Summit will repair or replace any part found defective if the unit claimed to be defective shall be returned to Summit, postage prepaid, within the warranty period.

This warranty shall not apply to any product which has been subjected to misuse; misapplication; neglect (including but not limited to improper maintenance); accident; improper installation; modification (including but not limited to use of unauthorized parts or attachments); adjustment or repair. THE FOREGOING IS IN LIEU OF ALL OTHER WARRANTIES, WHETHER EXPRESS OR IMPLIED (INCLUDING THOSE OF MERCHANTABILITY AND FITNESS OF ANY PRODUCT FOR A PARTICULAR PURPOSE), AND OF ANY OTHER OBLIGATION OF LIABILITY ON THE PART OF THE COMPANY.

### (B) Limitation of Liability

It is expressly understood that Summit's liability for its products, whether due to breach of warranty, negligence, strict liability, or otherwise, is limited to the repair of the product, as stated above, and Summit will not be liable for any other injury, loss, damage, or expense, whether direct or consequential, including but not limited to loss of use, income, profit, or damage to material, arising in connection with the sale, installation, use of, inability to use, or the repair or replacement of Summit's products.

Summit reserves the right to make alterations or modifications in its products at any time, which in its opinion, may improve the performance and efficiency of the product. It shall not be obligated to make such alterations or modifications to products already in service.

Please fill out the warranty card on the back of these instructions and return to:

**SUMMIT Treestands, LLC.**  
**715 Summit Dr.**  
**Decatur, AL 35601**

