



SUMMIT
EST. 1981
TREESTANDS

SwifTree Climbing Stick Instruction Booklet

You **MUST** also view the enclosed DVD **BEFORE** using your new treestand / climbing aid / ladder stand / pod stand!! If this DVD does not play in your DVD player - please contact us for a replacement.

Weight Limit 260 lbs. total. **DO NOT EXCEED THIS LIMIT!**
(Total weight includes person and all gear / clothing)

Tree Size: 8" - 20" Diameter

READ ME FIRST!!!

Please read carefully **BEFORE** using your new Summit SwifTree Climbing Sticks.

Congratulations! You have purchased the finest commercially available treestand on the market today. Summit SwifTree Climbing Sticks are designed and built to provide years of trouble-free, successful hunting with a minimum of maintenance and care. They are certified to meet the requirements of the Treestand Manufacturers Association (TMA) Standards. This booklet is provided to you to outline the recommended use, care and maintenance of your Summit SwifTree Climbing Sticks.

Please read and follow all general safety warnings and precautions listed on the next page! Use of a lineman's style climbing belt / rope is **MANDATORY** for hanging the SwifTree.

Warning

Before each use of your Summit Treestand, ALWAYS inspect the treestand for any structural damage, cracks, cable wear or abrasion that may have occurred in transporting your treestand.

DO NOT USE IF ANY DAMAGE IS FOUND!

----- MUST READ - GENERAL SAFETY WARNINGS AND PRECAUTIONS -----

General Warnings and Precautions:

1. **When hunting from a treestand falls can occur any time after leaving the ground causing injury or death.**
2. Wear a fall arrest system (FAS) comprising a full body harness at all times after leaving the ground. You must stay connected at all times after leaving the ground while using climbing and hang-on treestands. Single safety belts and chest harnesses are no longer preferred and should never be used. If you are not wearing a full body harness that is protecting you from a fall, do not leave the ground.
3. Read and understand all of the manufacturer's Warnings and Instructions and use all safety devices provided by the manufacturer. Contact the manufacturer for any questions. Failure to do so could result in injury or death.
4. **Never** exceed the weight limit of a treestand.
5. **Never** use a treestand while taking drugs (even prescription drugs) or alcohol.
6. **Never** use a treestand during inclement weather such as rain, lightning, windstorms or icy conditions.
7. **Never** use a treestand when feeling ill, nauseous or dizzy.
8. **Never** use a treestand on a dead, leaning, diseased or loose barked tree or on a utility pole.
9. **Never** rely on a tree branch for support.
10. **Never** jump or bounce on a treestand/ladder stand/pod stand/climbing aid to seat it to the tree.
11. Pull up a bow, backpack, firearm or other equipment only after being secure in the treestand and a firearm must be pulled up with it unloaded, chamber open and muzzle down.
12. Inform someone of the hunting location, where the treestand will be located and the expected duration of the hunt.
13. A signal device such a mobile phone, radio, whistle, signal flare or personal locator device (PLD) must be on your person and readily available at all times.
14. Inspect the treestand and all safety devices each time before use and do not store a treestand outdoors when not in use.
15. **Never** modify your stand in any way by making repairs, replacing parts, or altering adding or attaching anything to it except if explicitly authorized by the manufacturer.
16. Practice installing, adjusting and using your treestand at ground level prior to using it at elevated positions.
17. Instructions (written and video) should be kept in a safe place and reviewed at least annually. It is the responsibility of the treestand owner to furnish the instructions to any person that who borrows or purchases the treestand.

Climbing Treestand Warnings and Precautions:

1. The initial angle of the platform/climber at ground level must allow for the decrease in tree diameter while ascending by tilting slightly upward.
2. For two-piece climbing treestands the tether connecting the top and the platform must be secure and at the proper length recommended by the manufacturer.
3. Platform level adjustments should not be made anywhere except at ground level (except for those special cases of products designed and intended to be safely adjusted by the manufacturer's instructions).
4. While climbing, adjustments to the harness attachment to the tree (tether/tree belt) should be frequent and coordinated with treestand movement to maintain the least amount of slack in the tether that will allow for climbing.
5. Familiarize yourself with the use of climbers by practicing at ground level before using in a hunting environment.

Non-Climbing/Fixed Position/Hang On Treestand Warnings and Precautions:

1. The use of a lineman's/climbing belt is required when installing a hang-on treestand to stabilize the user with the tree.
2. Correct tightening and adjustments of chains, cables, straps, etc. are critical to stable hang-on treestand installation. All treestand contact points must be in contact with the tree before you step onto your stand.
3. Practice the attachment of hang-on treestands at ground level before using in a hunting environment.
4. **Never** leave a treestand in a tree for more than two weeks since weather or animals could cause damage. Tree growth can also stress and damage straps and buckles.
5. Use a haul line to raise and lower the treestand. **Never** climb with anything on your back.
6. Climbing aids (stick ladders, sectional ladders, steps, etc.) must extend above the platform to allow the user to step down onto the platform. **Never** step up to your stand from a climbing aid.

Ladder/Pod Stand Warnings and Precautions:

1. Use at least three people to install and/or take down a ladder treestand.
2. The crisscross straps and stabilization devices must be attached before climbing to the platform.
3. When installing a ladder stand, always bounce on the first rung to set the ladder into the ground according to manufacturer's instructions before proceeding to climb any higher.
4. Check every ladder section connection every time you use the stand before you leave the ground. If ladder sections are separating, do not use the stand.
5. Check the ground under stand to make sure it is firm and level. Sloping ground or uneven surface (one side on a rock) can cause your ladder to tilt or shift off the tree as you climb.
6. Maintain three points of contact when climbing a ladder treestand.
7. Always lean forward as you climb and attach your harness to the tree before securing the platform to the tree and stepping onto the platform.

Fall Arrest System (Harness) Warnings and Precautions:

1. Read and understand the manufacturer's Warnings, expiration date and instructions on how to use and how to properly adjust the harness.
2. Practice the use of a full body harness at ground level in the presence of a responsible adult to experience the feeling of hanging suspended before using in a hunting environment.
3. The length of the harness tether must be minimized at all times. It should be adjusted so that it is above the head with no slack (snug) in the sitting position and you should have the minimum amount of slack possible when climbing.
4. **Never** allow the tether strap to get under your chin or around your neck.
5. If the hunting location is unknown by anyone and communication efforts are unsuccessful, you must have a personal plan for recovery/escape because prolonged suspension in a harness can be fatal. It is important to exercise the legs by pushing against the tree or doing other forms of continuous leg exercises to avoid blood pooling while being suspended. Hunters with varying degrees of physical fitness may require different plans to recover/escape the effects of prolonged suspension. Have a personal plan and practice it in the presence of a responsible adult before leaving the ground. No one escape/rescue plan will work for every hunter on every tree in every circumstance. Only you can determine the best recovery/escape plan for your hunting situation and you must have a recovery/escape plan for your situation before leaving the ground. A suspension relief device **must** be on your person and readily accessible while using a harness. This device will allow the user to relieve the load on the lower extremities if suspended in a harness to maintain circulation in the legs and prevent suspension trauma (blood pooling). Be sure to follow the manufacturers' directions on the safe use of any suspension relief device.
6. Hunt from the ground when self-recovery/escape ability is absent.
7. There is time to make a correct decision on what action to take if a fall occurs while wearing a full body harness. It is important to remember, "**DO NOT PANIC.**"

Climbing Aids/Stick Ladder Warnings and Precautions:

1. A full body harness with lineman's/climbing belt must be worn at all times while installing or removing any hang-on climbing aids.
2. Hang-on climbing aids must be placed on the tree at a height above the platform where the user can maintain a hand hold on the unit and step downwards onto the treestand. **Never** step up from a climbing device to get into your stand.
3. When using a climbing/lineman's belt to ascend the tree, the full body harness should be attached to the tree before stepping down onto the treestand.
4. Sectional ladders and steps should be spaced on the tree to insure each step is no more than 18 inches apart.
5. Check every stick ladder section connection every time you use the stick ladder before you leave the ground. If stick ladder sections are separating, do not use the stick ladder.

Section 1. Assembling your new Treestand

Please contact us at www.summitstands.com or 256-353-0634 to obtain any missing parts or if your DVD does not work.

Part 1. Stand-off Assembly.

- Step 1.** Hold each column section facing away as shown in **Figure 1**.
Step 2. Insert the 1.5" bolt through the column section as shown in **Figure 2**.
Step 3. Place the stand-off bracket over the protruding bolt and securely tighten the lock nut as shown in **Figure 3**.
Step 4. Repeat for the other two ladder sections.

Part 2. SwifTree Section Assembly.

NOTE: The bottom section has an oval shaped wire ring welded to the base. It should be the only section with this ring.

- Step 1.** Insert the swaged end of the bottom section into the open end of one of the remaining sections as shown in **Figure 4**. **MAKE SURE** that the U Shaped stand-off brackets on each section are on the same side. **MAKE SURE** that the sections are fully slid together so it contacts the rivet stop point.
Step 2. Repeat **Step 1** for the other ladder section. Double check to insure that all three stand-off brackets are facing the same direction before use. See **Figure 5**.

Section 2. Use of the SwifTree Climbing Sticks

- Step 1.** Be sure that all tie ropes are hanging free. Place the assembled pole next to the tree so that the bottom oval and all other sections are the same distance from the tree (See **Figure 6**.) **NOTE:** All three stand-offs should contact the tree freely. **DO NOT FORCE** a stand-off to make contact by bending the ladder sections. If this happens, reposition the SwifTree or locate another, more suitable tree.
Step 2. The SwifTree must be straight and vertical before it can be used. Press your weight on the first wire run of the bottom section until it settles firmly and completely into the ground.
Step 3. On the bottom ladder section - wrap the 1/4" tie rope tightly around the tree as shown in **Figure 7**. This rope will be attached to the wire loop about 4' up from the end of the ladder section. The rope **MUST** be wrapped around so that it makes a horizontal loop around the tree and so that it has no slack. This can easily be done by pushing the ladder section so that the stand-off bracket is firmly against the tree before bringing the rope around.
Step 4. Bring the rope through one side of the welded loop as shown in **Figure 8**.
Step 5. Bring the rope back around to the other side and loop it around the pre attached rope end (See **Figure 9**.) Wrap the rope around itself several times so that the two sections of rope are pulled together tightly.
Step 6. Tie the loose end of rope back to itself using half hitch knots - three is sufficient. Always test each knot assembly before using! (See **Figure 10**)
Step 7. At this point you **MUST** attach a lineman's style belt to the tree to support your weight!
Step 8. Climb the bottom section of the SwifTree until you reach the second tie off rope on the next section. **WARNING!! DO NOT STAND ON THE NEXT SECTION UNTIL IT HAS BEEN TIED OFF!!! Repeat Steps 3 - 6 to secure.**

Step 9. Repeat **Step 8** to secure the last section. **NEVER UNHOOK FROM YOUR LINEMAN'S BELT UNTIL YOU ARE CONNECTED TO A HARNESS SAFETY ROPE!**

ALWAYS STEP DOWN FROM THE TOP OF THE SWIFTREE TO THE TREESTAND! NEVER ATTEMPT TO CLIMB INTO A STAND FROM THE SWIFTREE

When descending to remove the SwifTree: **DO NOT UNTIE ANY ROPE UNTIL YOU ARE SECURELY STANDING ON THE SECTION BELOW IT. ALWAYS USE A LINEMAN'S STYLE BELT FOR SUPPORT!**

Section 3. Maintenance and Care of Your Treestand.

Because of the quality construction techniques used in manufacturing, your Summit Treestand is very durable under normal hunting conditions. However, since all hunting equipment that is exposed to the elements requires some maintenance and care, the following guidelines for caring for your SwifTree should be used.

If you find the need to leave your SwifTree outdoors for a short time, perhaps overnight or during a lunch break, **DO NOT** assume that nothing has changed when you return. Always re-inspect its security before use. Make especially sure that the tie ropes on the SwifTree are tight and that nothing has been damaged or changed.

Since the SwifTree is constructed primarily out of steel, it is very important to assure that any areas where the powdercoat finish has been worn or chipped are properly cleaned and re-primed with a quality metal primer to prevent the formation of rust. The finish that is applied during manufacture is very durable and should only need touch-ups in areas of heavy wear or accidental impact.

Should you damage any part of your SwifTree, contact your nearest authorized Summit dealer or the factory to obtain the proper corrective action procedure and/or replacement parts for the treestand. Unauthorized repairs, modifications, or alterations will void the warranty and could degrade the integrity of the treestand. You must perform periodic inspections of the treestand for damage. **WARNING: DO NOT use the SwifTree if ANY obvious or suspected damage is observed.**

For your safety, we strongly recommend that you regularly inspect your SwifTree for damage. Look for nicks, gouges, cracks, bends, corrosion, or similar damage that could be the result of improper use or accidental damage. For instance, this could occur if someone else used the SwifTree without knowledge of proper use, or if the SwifTree were dropped or hit by a motor vehicle, or subjected to corrosive conditions. Always inspect all ropes for cuts, worn places, abrasion, fraying, and discoloration before use. When not in use, always store the SwifTree inside and away from exposure to the elements. The SwifTree has a high structural integrity by design, material selection and manufacturing techniques, but as its owner only your continued care will assure trouble-free performance.

WARNING!! Summit requires that you replace the ropes at least annually, or perhaps sooner if excessive wear is noticed.

Good Hunting and Hunt Safe!

HUNT TOMORROW...

...USE YOUR SAFETY HARNESS TODAY!

©(STLLC 2007)

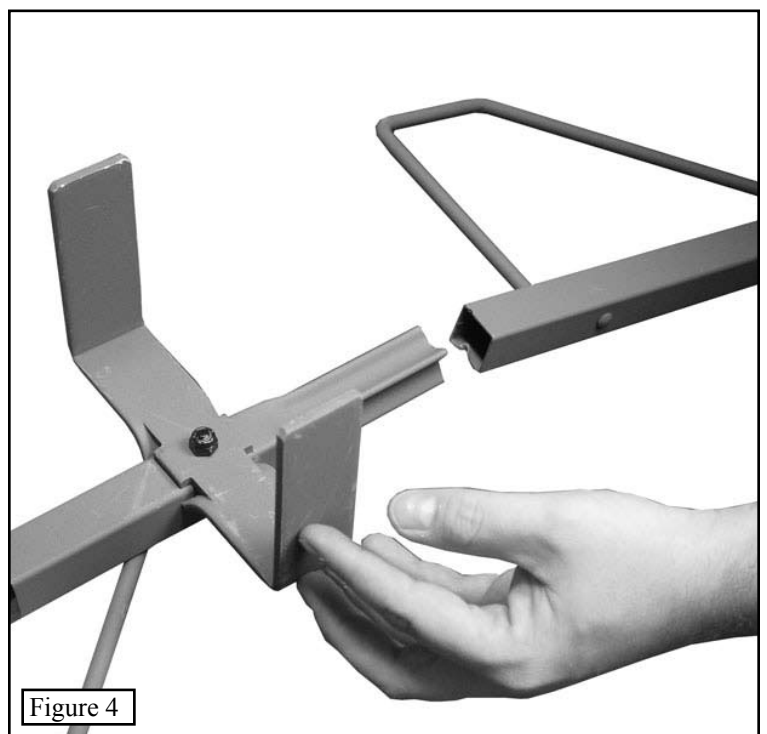
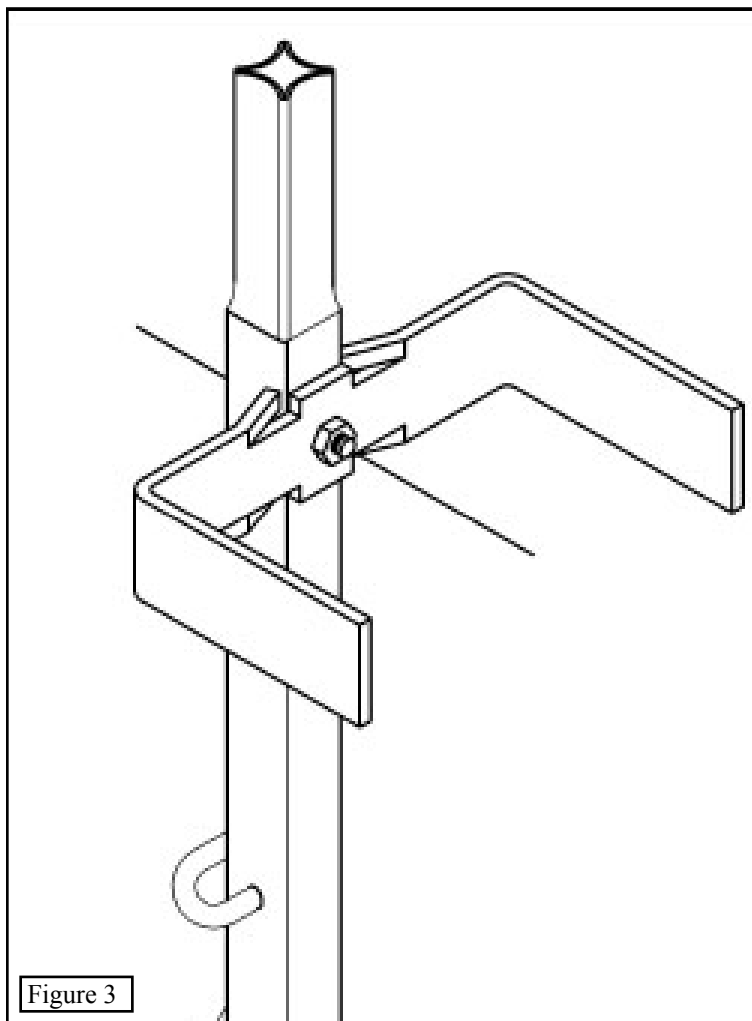
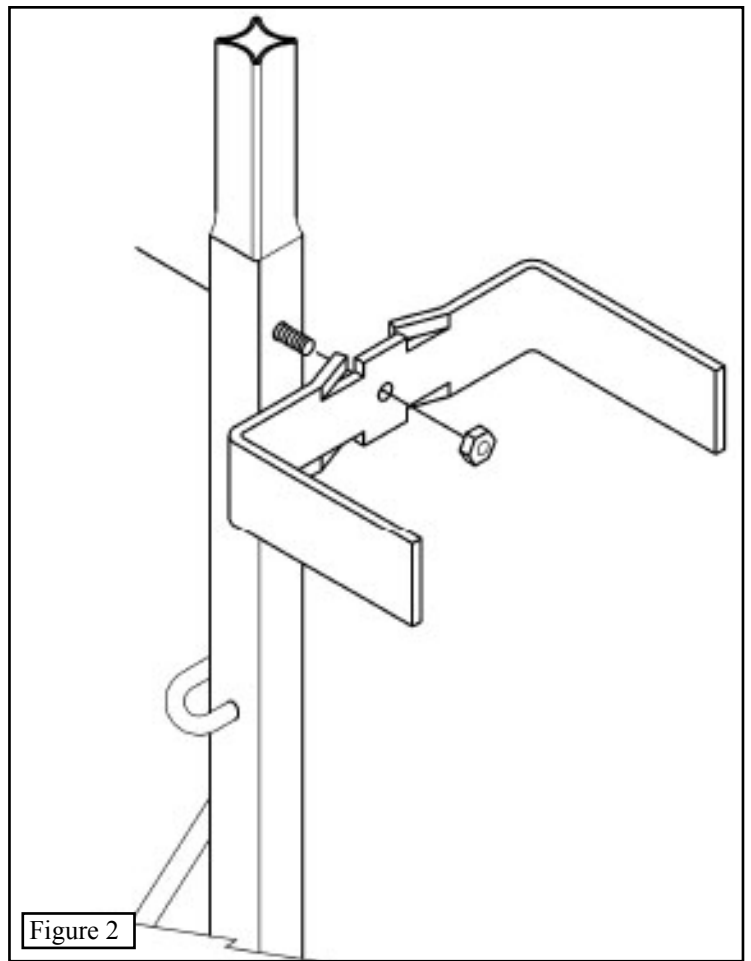
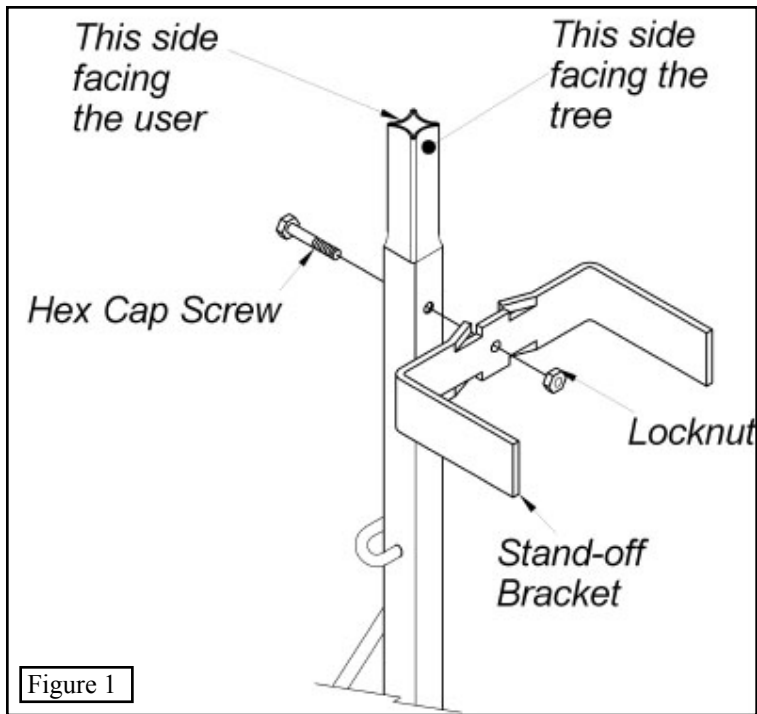




Figure 5



Figure 6

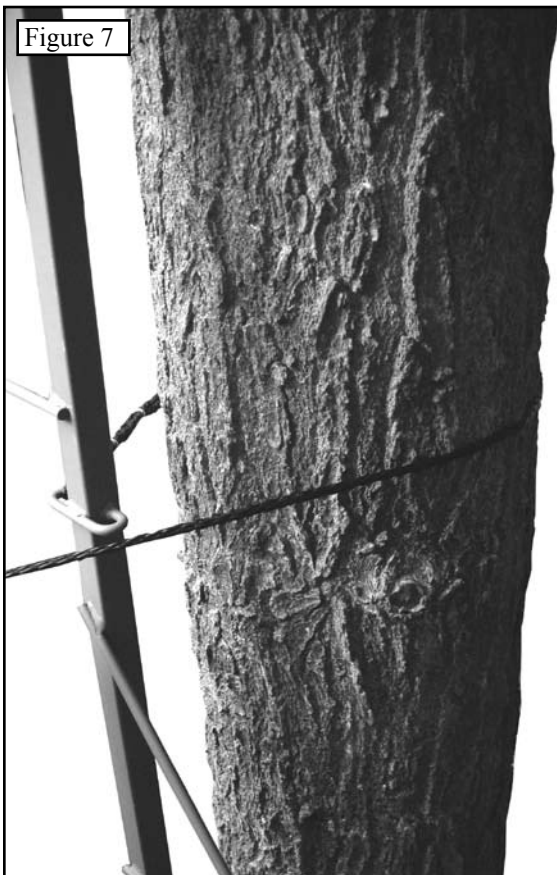


Figure 7



Figure 8

Limited Warranty

(A) Warranty

Summit Treestands, LLC (Summit) warrants to the original retail purchaser that all products manufactured by it are free from defects in material and manufacture at the time of shipment for sixty (60) months from the date of purchase. Summit will repair or replace any part found defective if the unit claimed to be defective shall be returned to Summit, postage prepaid, within the warranty period.

This warranty shall not apply to any product which has been subjected to misuse; misapplication; neglect (including but not limited to improper maintenance); accident; improper installation; modification (including but not limited to use of unauthorized parts or attachments); adjustment or repair. THE FOREGOING IS IN LIEU OF ALL OTHER WARRANTIES, WHETHER EXPRESS OR IMPLIED (INCLUDING THOSE OF MERCHANTABILITY AND FITNESS OF ANY PRODUCT FOR A PARTICULAR PURPOSE), AND OF ANY OTHER OBLIGATION OF LIABILITY ON THE PART OF THE COMPANY.

(B) Limitation of Liability

It is expressly understood that Summit's liability for its products, whether due to breach of warranty, negligence, strict liability, or otherwise, is limited to the repair of the product, as stated above, and Summit will not be liable for any other injury, loss, damage, or expense, whether direct or consequential, including but not limited to loss of use, income, profit, or damage to material, arising in connection with the sale, installation, use of, inability to use, or the repair or replacement of Summit's products.

Summit reserves the right to make alterations or modifications in its products at any time, which in its opinion, may improve the performance and efficiency of the product. It shall not be obligated to make such alterations or modifications to products already in service.

Please fill out the warranty card and return to:

**SUMMIT Treestands, LLC.
715 Summit Dr.
Decatur, AL 35601**

You can also register your warranty card on line at:
www.summitstands.com/warranty.aspx

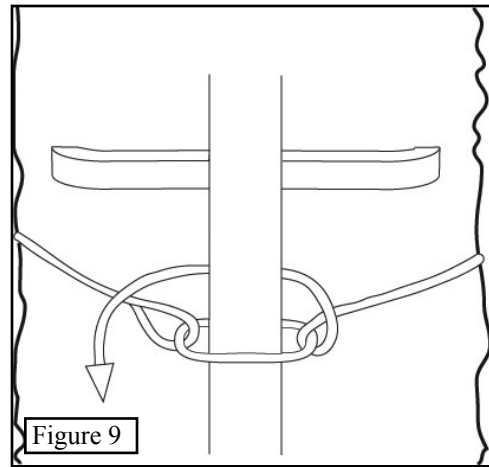


Figure 9

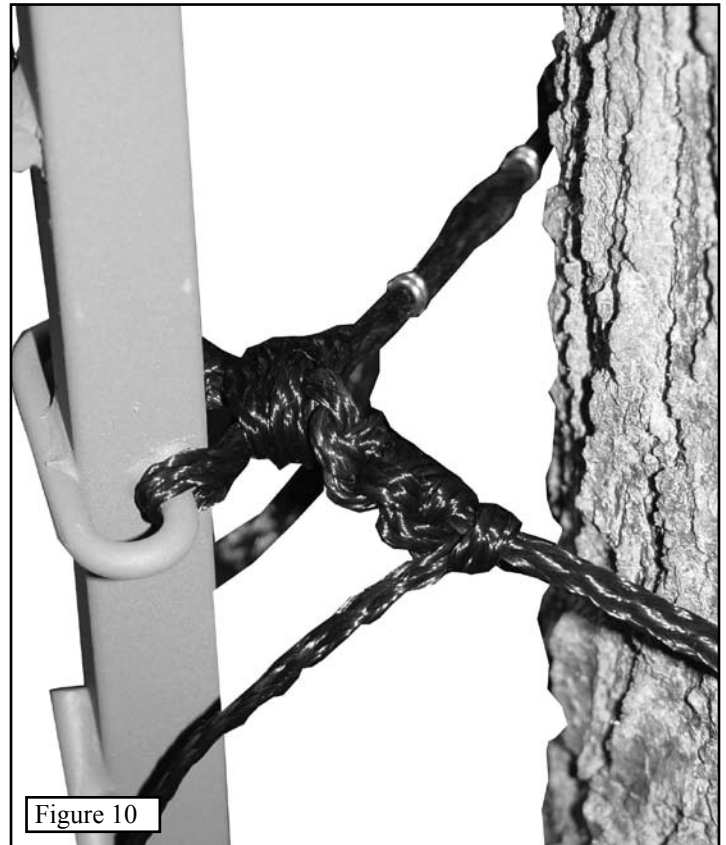


Figure 10

**VISIT US ONLINE AT
WWW.SUMMITSTANDS.COM
FOR ACCESSORIES OR
REPLACEMENT PARTS!**

Summit products are manufactured under one or more of the following US Patents: 5,937,969; 5,971,104; 5,975,242; 5,979,603; 6,125,966; 6,182,792; 6,397,973; D,417,011; D,420,147
Summit Bucksteps and RapidClimb Stirrups are Patent Pending

Cut Along Line

Cut Along Line

Warranty Card for Summit Treestand

Treestand Purchased: SwifTree (PN 82001)

Owners Name: _____ Street Address: _____

City: _____ State: _____ ZIP: _____ Phone: (____) _____

Date Purchased: _____ Purchased From (Dealer Name): _____ Price \$: _____

Your heard about us through: Magazine Advertisement Video Friend Summit Catalog

Other Please Explain: _____