



**SUMMIT**  
EST. 1981  
**TREESTANDS**

**2009 Predator Pod**  
PN 82028

# INSTRUCTIONS



## WARNING

**You must fully read, understand and follow these warnings and instructions (written and video)! Failure to follow these instructions may cause serious injury or death!!**

You **MUST** also view the enclosed DVD **BEFORE** using your new treestand!!

### WEIGHT LIMIT

**300 LBS. X 1 TOTAL\*\***

**DO NOT EXCEED THIS LIMIT!**  
*(\*\* Includes all gear)*

- **WHEN HUNTING FROM A TREESTAND FALLS CAUSING INJURY OR DEATH CAN OCCUR ANY TIME AFTER LEAVING THE GROUND!** FOR THOSE REASONS ALWAYS WEAR A FALL ARREST SYSTEM (FAS) COMPRISING A FULL BODY HARNESS AT ALL TIMES AFTER LEAVING THE GROUND. YOU MUST STAY CONNECTED AT ALL TIMES AFTER LEAVING THE GROUND WHILE USING ANY ELEVATED HUNTING PLATFORM. SINGLE SAFETY BELTS AND CHEST HARNESSES ARE NO LONGER ALLOWED AND SHOULD NEVER BE USED. IF YOU ARE NOT WEARING A FULL BODY HARNESS THAT IS PROTECTING YOU FROM A FALL, DO NOT LEAVE THE GROUND!
- READ AND UNDERSTAND ALL OF THE MANUFACTURER'S WARNINGS AND INSTRUCTIONS AND USE ALL SAFETY DEVICES PROVIDED. CONTACT SUMMIT TREESTANDS FOR ANY QUESTIONS. FAILURE TO DO SO COULD RESULT IN INJURY OR DEATH!
- A SIGNAL DEVICE SUCH A MOBILE PHONE, RADIO, WHISTLE, SIGNAL FLARE OR PERSONAL LOCATOR DEVICE (PLD) MUST BE ON YOUR PERSON AND READILY AVAILABLE AT ALL TIMES! ALWAYS INFORM SOMEONE OF YOUR HUNTING LOCATION, WHERE THE TREESTAND WILL BE LOCATED AND THE EXPECTED DURATION OF THE HUNT!
- DO NOT USE ANY TREESTAND UNLESS YOU ARE IN GOOD PHYSICAL SHAPE AND HAVE NO PHYSICAL LIMITATIONS OR MEDICAL CONDITIONS WHICH MAY PREVENT YOU FROM SAFELY USING THIS PRODUCT. ALWAYS CONSULT A PHYSICIAN IF YOU HAVE ANY QUESTIONS ABOUT YOUR PHYSICAL ABILITY TO USE THIS PRODUCT.
- NEVER USE A TREESTAND WHILE TAKING DRUGS, ALCOHOL OR CERTAIN PRESCRIPTION DRUGS! ALWAYS CONSULT A PHYSICIAN IF YOU HAVE ANY QUESTION ABOUT TAKING SPECIFIC MEDICATIONS AND USING THIS PRODUCT!
- NEVER USE A TREESTAND DURING INCLEMENT WEATHER SUCH AS RAIN, LIGHTNING, WINDSTORMS OR ICY CONDITIONS! END YOUR HUNT AND RETURN TO THE GROUND IF ANY OF THESE INCLEMENT CONDITIONS ARISE.
- NEVER USE A TREESTAND WHEN FEELING ILL, NAUSEOUS, DROWSY OR DIZZY!
- BE WELL RESTED AND NEVER HURRY. HURRYING CAUSES ACCIDENTS!
- CHECK EVERY LADDER SECTION CONNECTION EVERY TIME YOU USE THE STAND. IF ANY LADDER SECTIONS ARE SEPARATING - DO NOT USE THE STAND!
- CHECK THE GROUND UNDER THE STAND TO MAKE SURE IT IS FIRM AND LEVEL. SLOPING GROUND OR AN UNEVEN SURFACE (ONE LADDER SECTION ON A ROCK FOR EXAMPLE) CAN CAUSE YOUR STAND TO TILT OR SHIFT AS YOU CLIMB.
- ALWAYS MAINTAIN THREE POINTS OF CONTACT WHEN YOU CLIMB THE LADDER SECTION OF THIS STAND!
- PULL UP A BOW, BACKPACK, FIREARM OR OTHER EQUIPMENT ONLY AFTER BEING SECURE IN THE TREESTAND. FIREARMS MUST BE PULLED UP UNLOADED, CHAMBER OPEN AND MUZZLE DOWN!
- NEVER MODIFY YOUR STAND IN ANY WAY BY MAKING REPAIRS, REPLACING PARTS, OR ALTERING ADDING OR ATTACHING ANYTHING TO IT EXCEPT IF EXPLICITLY AUTHORIZED IN WRITING BY THE MANUFACTURER!
- INSTRUCTIONS (WRITTEN AND VIDEO) SHOULD BE KEPT IN A SAFE PLACE AND REVIEWED AT LEAST ANNUALLY. IT IS THE RESPONSIBILITY OF THE TREESTAND OWNER TO FURNISH THE COMPLETE INSTRUCTIONS TO ANY PERSON WHO BORROWS OR PURCHASES THE TREESTAND! THIS SUMMIT TREESTAND IS DESIGNED TO BE USED AS A COMPLETE SYSTEM - NEVER LOAN OR SELL ONLY A PORTION OF THIS TREESTAND SYSTEM.
- BEFORE EACH USE OF YOUR SUMMIT TREESTAND, ALWAYS INSPECT THE TREESTAND FOR ANY DAMAGE, CRACKS, TEARS, CABLE WEAR OR ABRASION THAT MAY HAVE OCCURRED IN TRANSPORTING / STORING YOUR TREESTAND. DO NOT USE IF ANY DAMAGE IS FOUND! CONTACT CUSTOMER SERVICE FOR THE APPROPRIATE REPAIR / REPLACEMENT PROCEDURE!
- DO NOT LEAVE YOUR TREESTAND OUTDOORS WHEN IT IS NOT BEING USED! ANY STAND TUBING THAT IS ALLOWED TO FILL WITH RAINWATER AND FREEZE WILL RUPTURE OR BURST - DO NOT USE YOUR TREESTAND IF THIS OCCURS!

# 1 INDEX

GENERAL WARNINGS AND PRECAUTIONS, STAND WEIGHT LIMITS  
 SECTION 1 - INDEX  
 SECTION 2 - PARTS LIST  
 SECTION 3 - TOOLS REQUIRED  
 SECTION 4 - ASSEMBLY  
 SECTION 5 - SETUP AND USE  
 SECTION 6 - MAINTENANCE AND CARE  
 SECTION 7 - PRODUCT VIEWS  
 SECTION 8 - WARRANTY INFORMATION

PG 1  
 PG 2  
 PG 2  
 PG 2  
 PG 3-6  
 PG 7  
 PG 7  
 PG 8  
 PG 8

# 2 PARTS LIST

Please call 256-353-0634 or visit <http://www.summitstands.com/contactus/> if you have any questions, if you need replacement parts, if you have any missing parts or if the included DVD does not play.

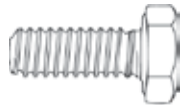




## BOX CONTENTS


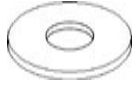

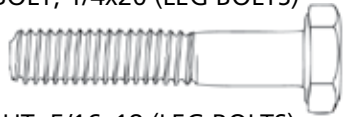

PN	DESCRIPTION	QTY
14029.001	LADDER LEG (3 STEPS)	1
14029.002	LADDER LEG (1 STEP)	2
14029.003	BASE PLATE	3
14029.004	SEAT BASE	1
14029.005	GUN REST PIVOT BAR	1
14029.009	SEAT BACKREST BAR	1
71120	CENTER SUPPORT ASSEMBLY	1
71119	GUNREST ASSEMBLY	1
74203	FOAM SEAT	1
10994	6" SWIVEL	1
72028	ACCESSORY PACKET	1

## 72028 - ACCESSORY PACKET CONTENTS

PN	DESCRIPTION	QTY
74223	12" BACK REST PAD	1
10656	IN-LINE CABLE TIES	2
18011	WRITTEN INSTRUCTIONS	1
10880	2009 SAFETY / INSTRUCTIONAL DVD	1
18007	WARRANTY CARD	1
22028	HARDWARE KIT	1

## 22033 - HARDWARE PACKET

PN	DESCRIPTION	QTY
10605	3/4" BOLT, 1/4x20 	3
10624	1" BOLT, 1/4x20 	4
10601	1 3/4" BOLT, 1/4x20 	5
10609	2 1/4" BOLT, 1/4x20 	3
10612	LOCK NUT, 1/4x20 	15

PN	DESCRIPTION	QTY
10642	1/4" NYLON SPACER 	8
10625	1/4" METAL WASHER 	8
10641	SHORT SHANK BUSHING 	7
10615	1 3/4" BOLT, 1/4x20 (LEG BOLTS) 	3
10617	LOCK NUT, 5/16x18 (LEG BOLTS) 	3

# 3 TOOLS REQUIRED

### Tools

- 1/2" Wrenches and / or Socket / Ratchet
- 7/16" Wrenches and / or Socket / Ratchet
- Knife or Snips

### Use

- Ladder Leg Bolts / Nuts
- Assembly Bolts / Nuts
- Cable Tie Trimming

- Assembly can be made easier by the use of a powered ratchet or drill with socket adapter (take care not to overtighten when using power tools to assemble)
- It is recommended that all bolts be sorted by size prior to assembly.

# 4 ASSEMBLY

## BASE PLATE ASSEMBLY

**Step 1.** Orient the base plate and one leg as shown in *figure 1*.

**NOTE:** the correct orientation of the leg. The pre-punched hole is to the inside - as is the welded on bracket located lower on the leg.

**Step 2.** Slide the leg into the Base Plate and line up the holes. Secure with one 5/16" (1 3/4" long) bolt and 5/16" lock nut.

**NOTE:** These are the ONLY 5/16" bolts used for assembly. All remaining bolts are 1/4" thread size.

**Step 3.** Repeat two more times as shown in *figure 2*. Use one 1 3/4" bolt per leg. Steps on the other legs must face out like the first leg.

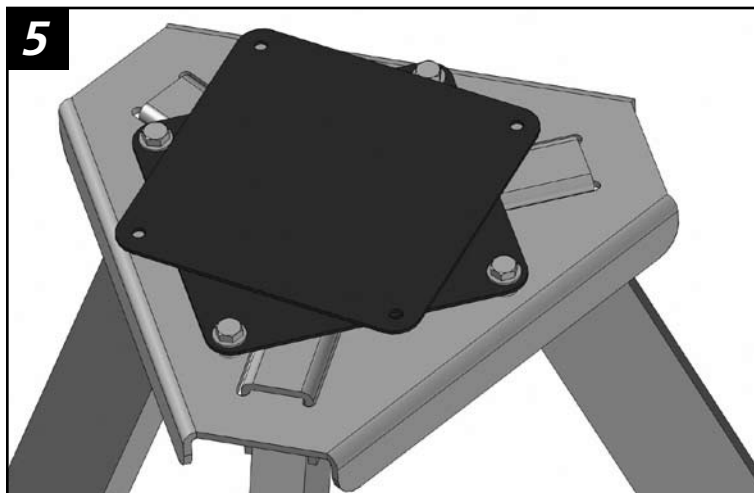
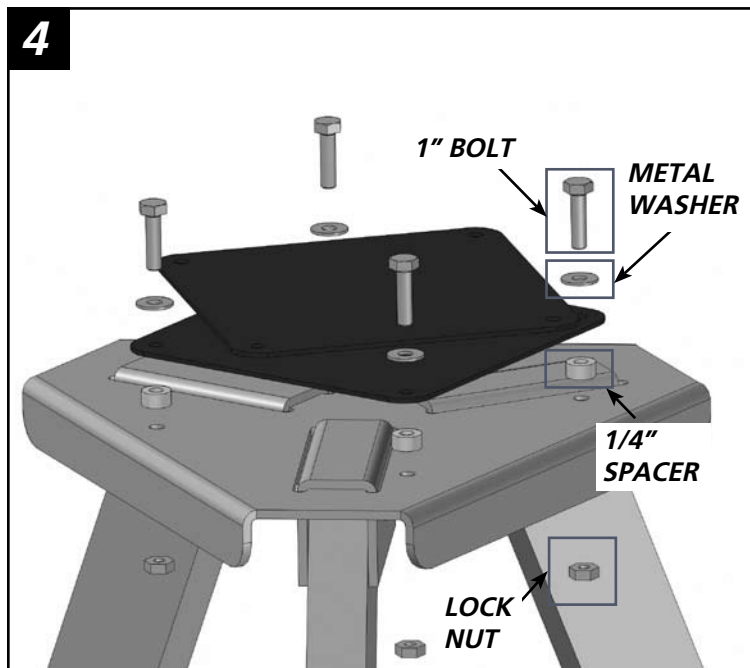
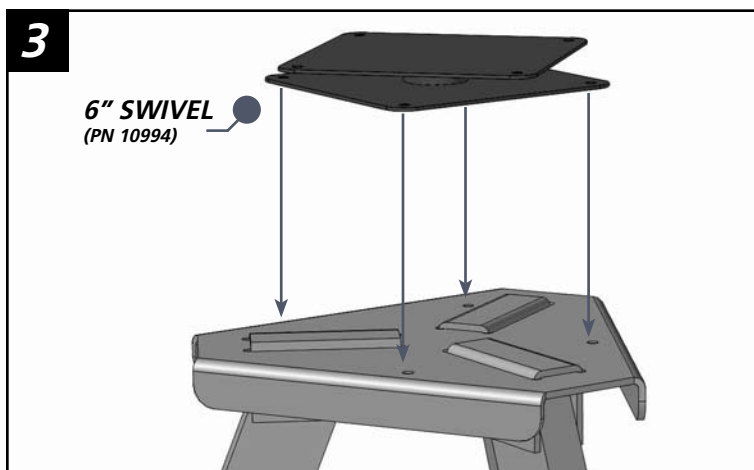
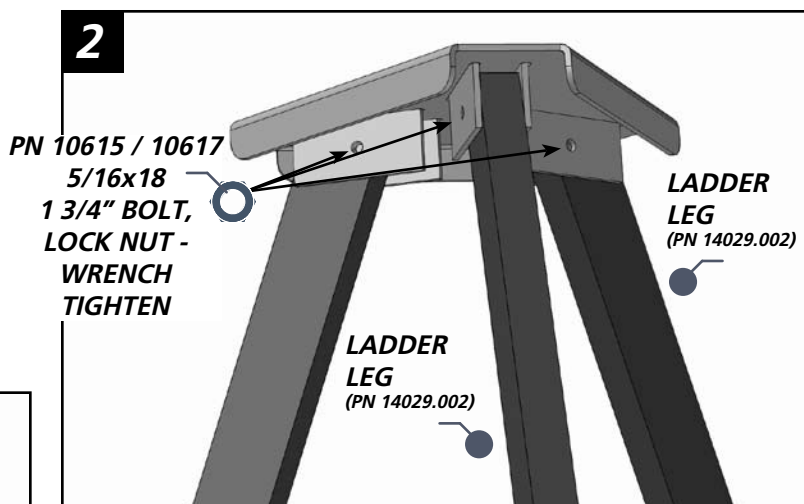
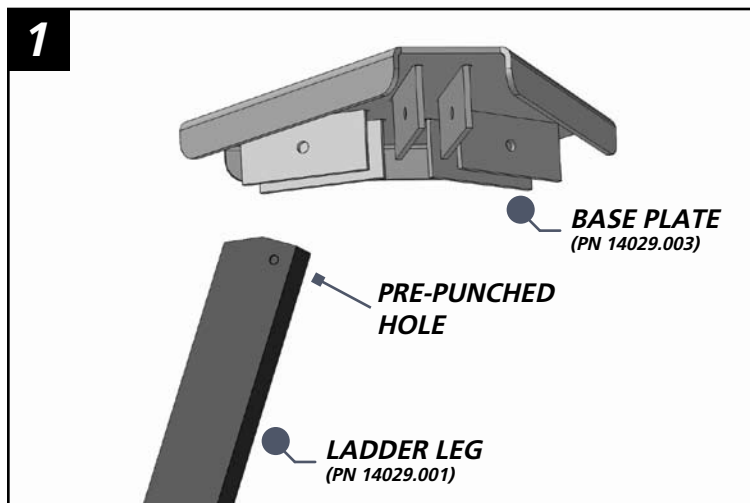
**Step 4.** Position the Seat Swivel as shown in *figure 3*.

**NOTE:** Leave bolts/nuts hand tight until all are started.

**Step 5.** Bolt the Seat Swivel to the Base Plate as shown in *figure 4*. The correct order should be: 1" bolt / Washer / Swivel Plate / 1/4" Nylon Spacer / Base Plate / Lock Nut (See *figure 4*).

**Step 6.** Repeat 3 more times with three more 1" bolts, washers, spacers and lock nuts as shown in *figure 5*.

**Step 7.** Wrench tighten all bolts.



## SEAT BASE ASSEMBLY

**Step 1.** Position the Seat Base and the Gun Rest Pivot Bar as shown in **figure 6**. Insert two short shank bushings into the outside holes on the Gun Rest Pivot Bar.

**Step 2.** Slide the Gun Rest Pivot Bar into the Seat Base and secure using one 2 1/4" bolt with lock nut as shown in **figure 7**. Do not overtighten as this connection is designed to pivot. Insert bolt from the bottom up so that the head of the bolt is on the bottom.

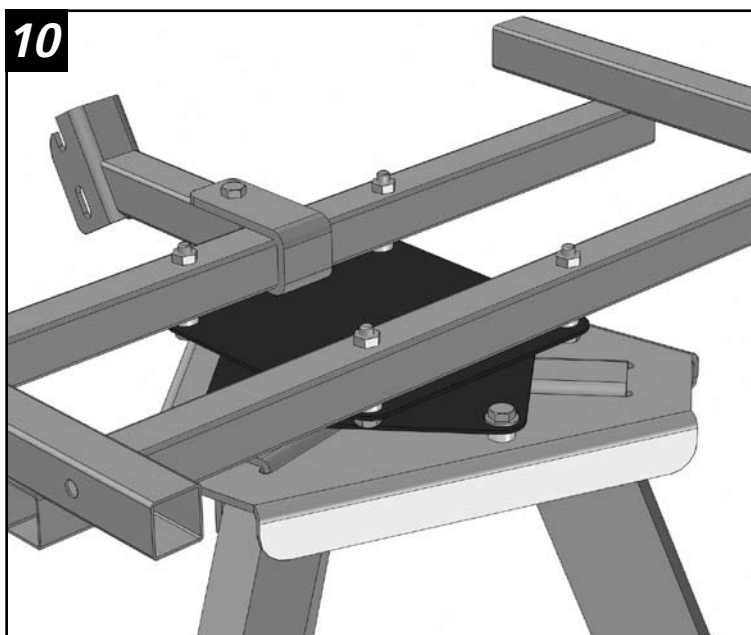
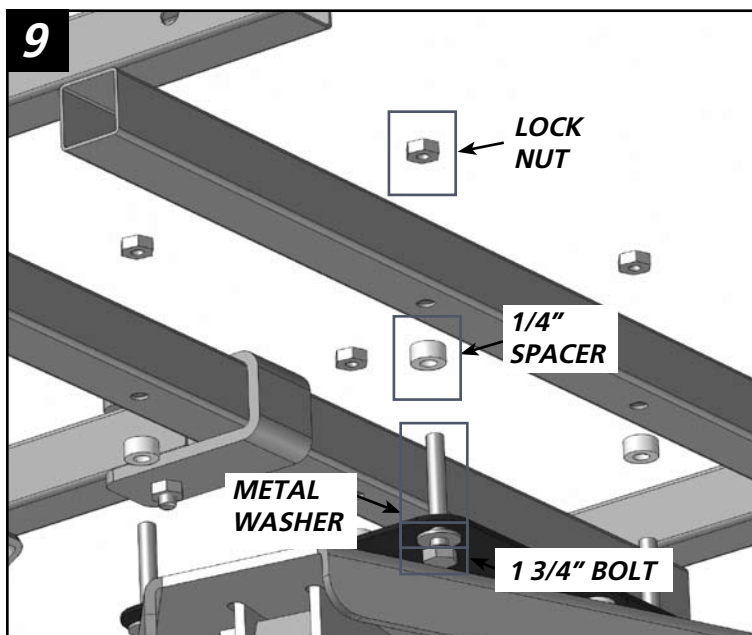
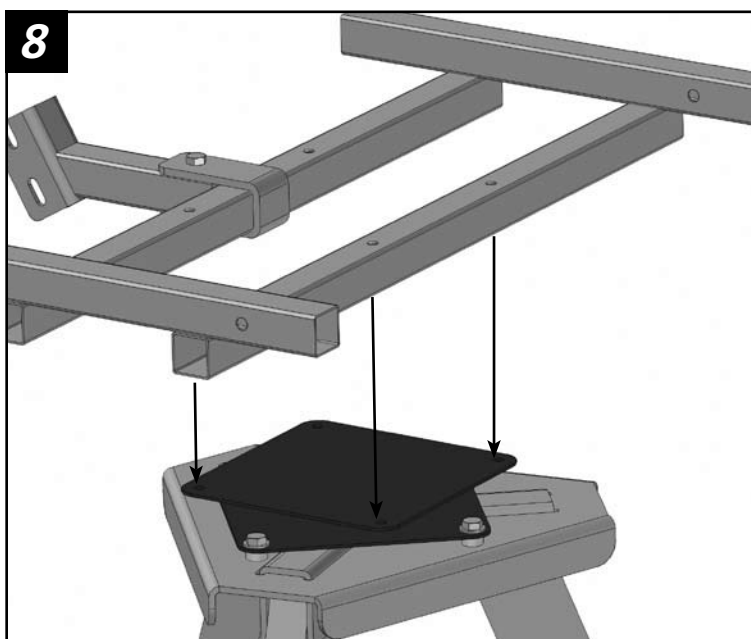
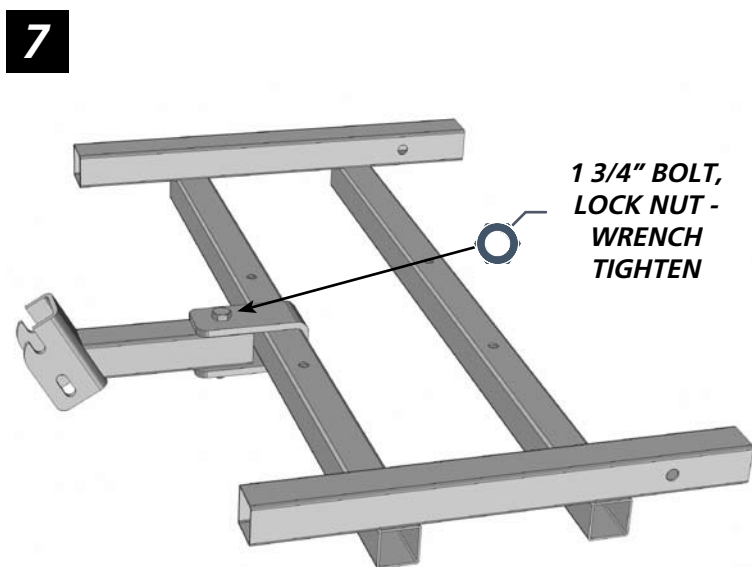
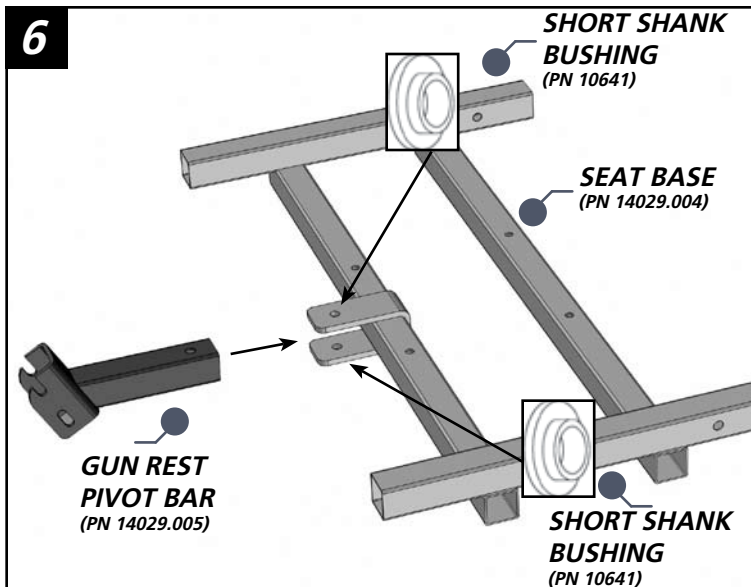
**Step 3.** Orient the Seat Base as shown in **figure 8**.

**NOTE:** Leave bolts/nuts hand tight until all are started.

**Step 4.** Bolt the Seat Base to the Seat Swivel as shown in **figure 9**. The correct order should be: 1 3/4" bolt / Washer / Seat Swivel / 1/4" spacer / Seat Base / Lock Nut. Pivot the swivel to insert the next bolt.

**Step 5.** Repeat 3 more times with three more 1 3/4" bolts, washers, spacers and lock nuts as shown in **figure 10**.

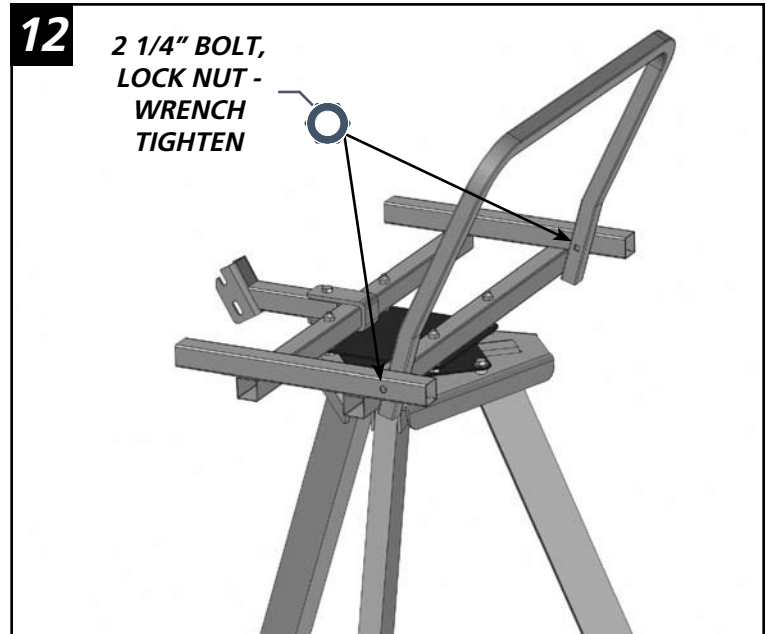
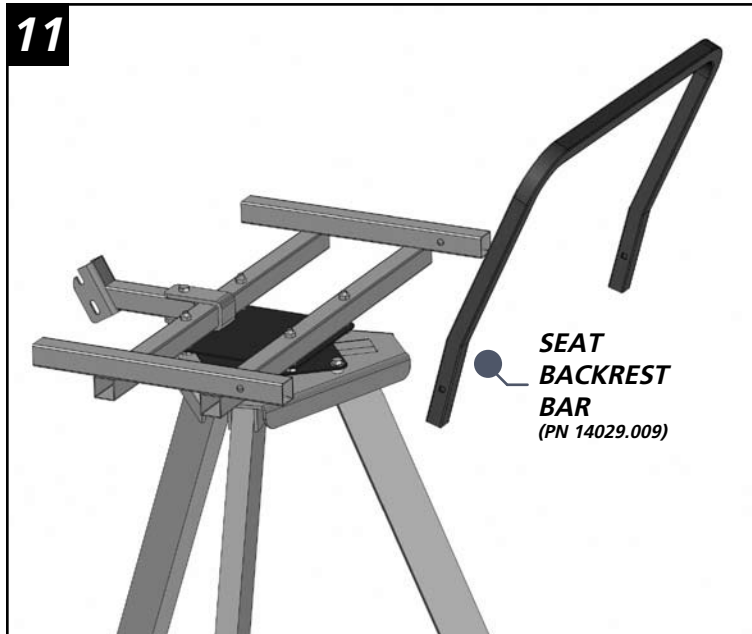
**Step 6.** Wrench tighten all bolts.



## BACK REST ASSEMBLY

**Step 7.** Position Seat Back as shown in *figure 11*.

**Step 8.** Secure using two 2 1/4" bolts with lock nuts (*See figure 12*).

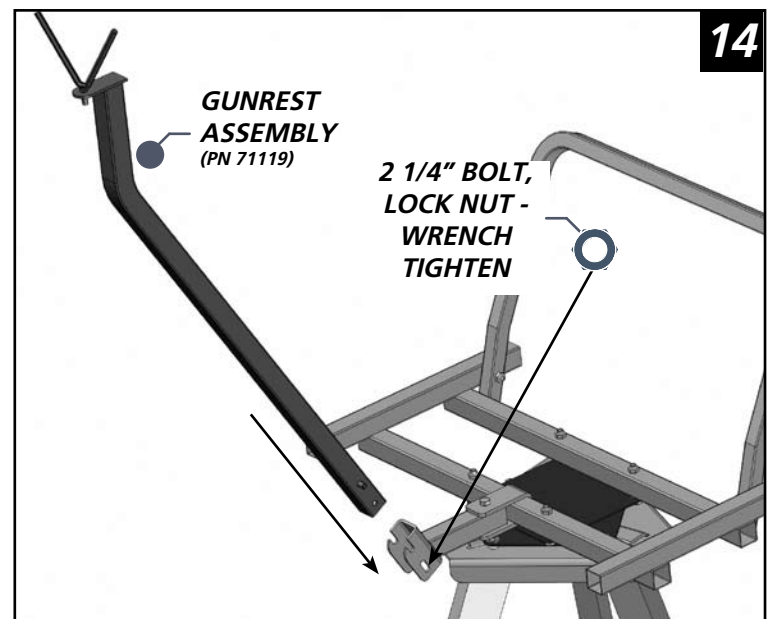
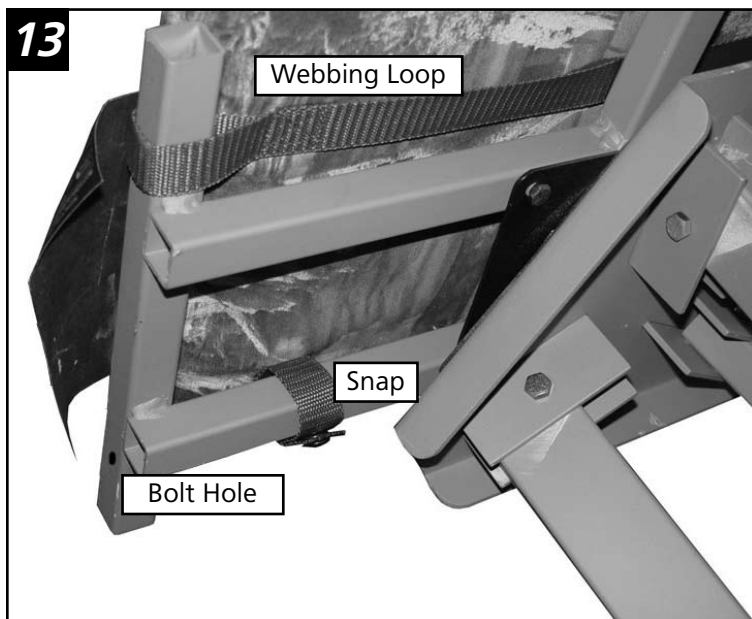


## GUNREST ASSEMBLY

**Step 9.** Position the Gun Rest as shown in *figure 13*.

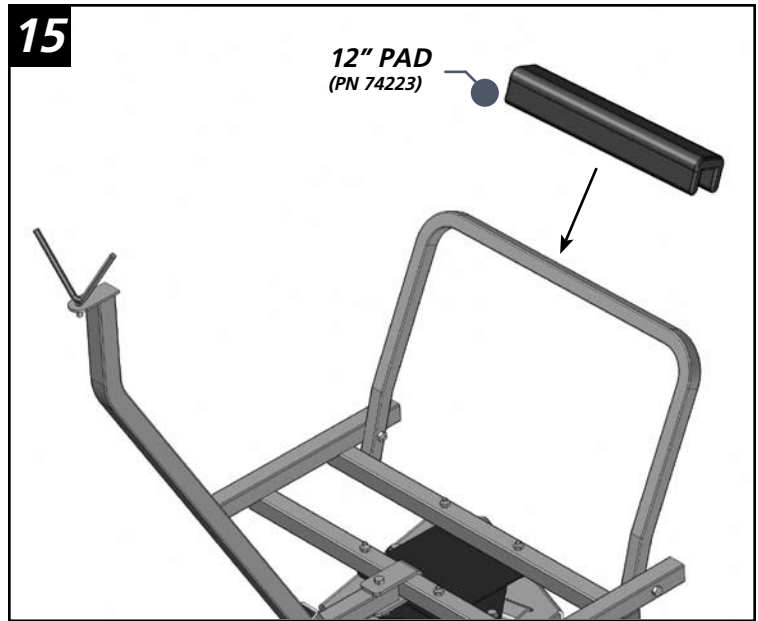
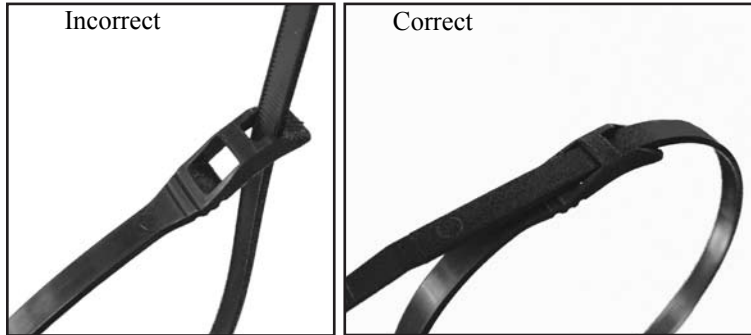
Slide the Gun Rest into the Pivot Bar and line up the holes. Secure with one 1 3/4" bolt and lock nut. Do not overtighten as this connection is designed to pivot.

**Step 10.** The Predator Pod foam seat should have two sewn in loops on the front straps and two snaps on the rear straps. Slide the front loops over the front of the Seat Base Assembly as shown in *figure 14*. Snap the webbing straps over the rear cross bar.



## GUNREST ASSEMBLY (continued)

**Step 11.** Position the 12" back rest pad as shown in **figure 15**. Secure the pad to the back rest bar using 2 cable ties. The cable ties for attaching the pads are "in-line" cable ties: Note the correct and incorrect ways of attaching. To attach - pull the cable ties snug, cut off the excess, and rotate the clasp to the underside of the pad.

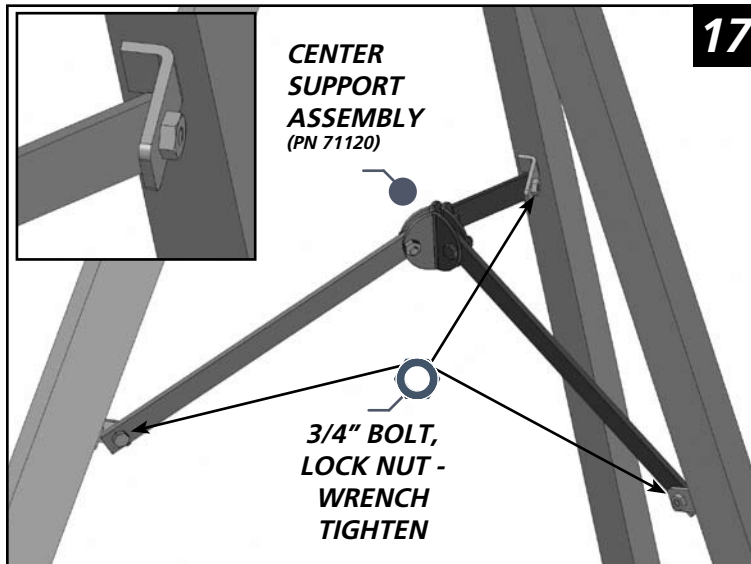
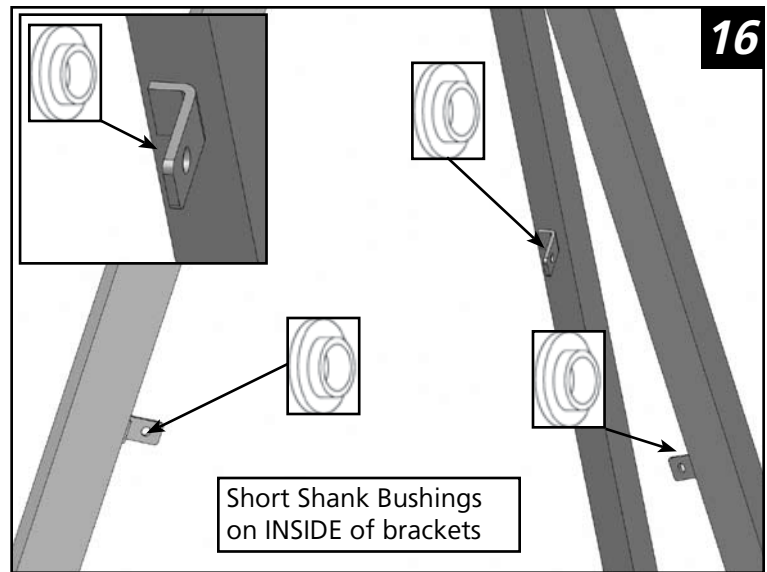


## Center Support Assembly

**Step 1.** Position the Predator Pod as shown in **figure 16**. Insert three short shank bushings to the inside of the welded on L-Bracket as shown in **figure 16**.

**Step 2.** Position the Center Support Assembly as shown in **figure 17**.

The Support Assembly will bolt to the inside of the L-Brackets and sit against the short shank bushings. Secure each joint with one 3/4" bolt and lock nut. Do not overtighten as this joint is designed to pivot.



Summit products are manufactured under one or more of the following US Patents: 5,937,969; 5,971,104; 5,975,242; 5,979,603; 6,125,966; 6,182,792; 6,397,973; D,417,011; D,420,147; D,575,411

Summit Bucksteps are Patent Pending

## 5 SETUP AND USE

### ⚠ WARNING

When setting up the Predator Pod, Always ensure the ground under the legs is level and free of rocks or other debris.

### ⚠ WARNING

**YOU WILL NOT** be connected to a safety rope / strap while you climb into or out of this treestand. **USE EXTREME CAUTION** while ascending or descending the ladder. **TAKE YOUR TIME** and do not hurry.

### ⚠ WARNING

Always maintain three points of contact when you climb the ladder section of this stand.



**Step 1.** Fold all the legs out until all three are an equal distance apart. They should be spread out as much as possible to provide the most stable base. The Center Support should be almost horizontal as shown in **figure 18**.

**Step 2.** Tie your gun or bow to a pull-up rope and then tie the other end to your belt or around the top of the stand where you can reach it.

**Step 3.** Carefully climb up the steps. Once you reach the seat, swing one of your legs over and around the gun rest. Make sure your boots are both firmly in place on two of the top steps. Carefully sit down.

**Step 4.** Pull the gun rest up towards you, then push it down into the bracket to lock it. Bow hunters might want to skip this step.

**Step 5.** Pull up your gun or bow and begin hunting.

## 6 MAINTENANCE AND CARE

The seat on this ladder stand is removable. We recommend it be removed and stored in a dry place when not in use.

The powdercoat finish applied at the factory is very durable and should only need touch ups in areas of heavy wear or accidental impact. The powder coat is applied only to the exterior surfaces of the treestand so it is possible for some surface rust to form inside the stand tubing. This is normal and should not affect the performance of the stand.

Should you damage any part of your Summit Treestand, contact your nearest authorized Summit dealer or the factory to obtain the proper corrective action procedure and/or replacement parts for the treestand.

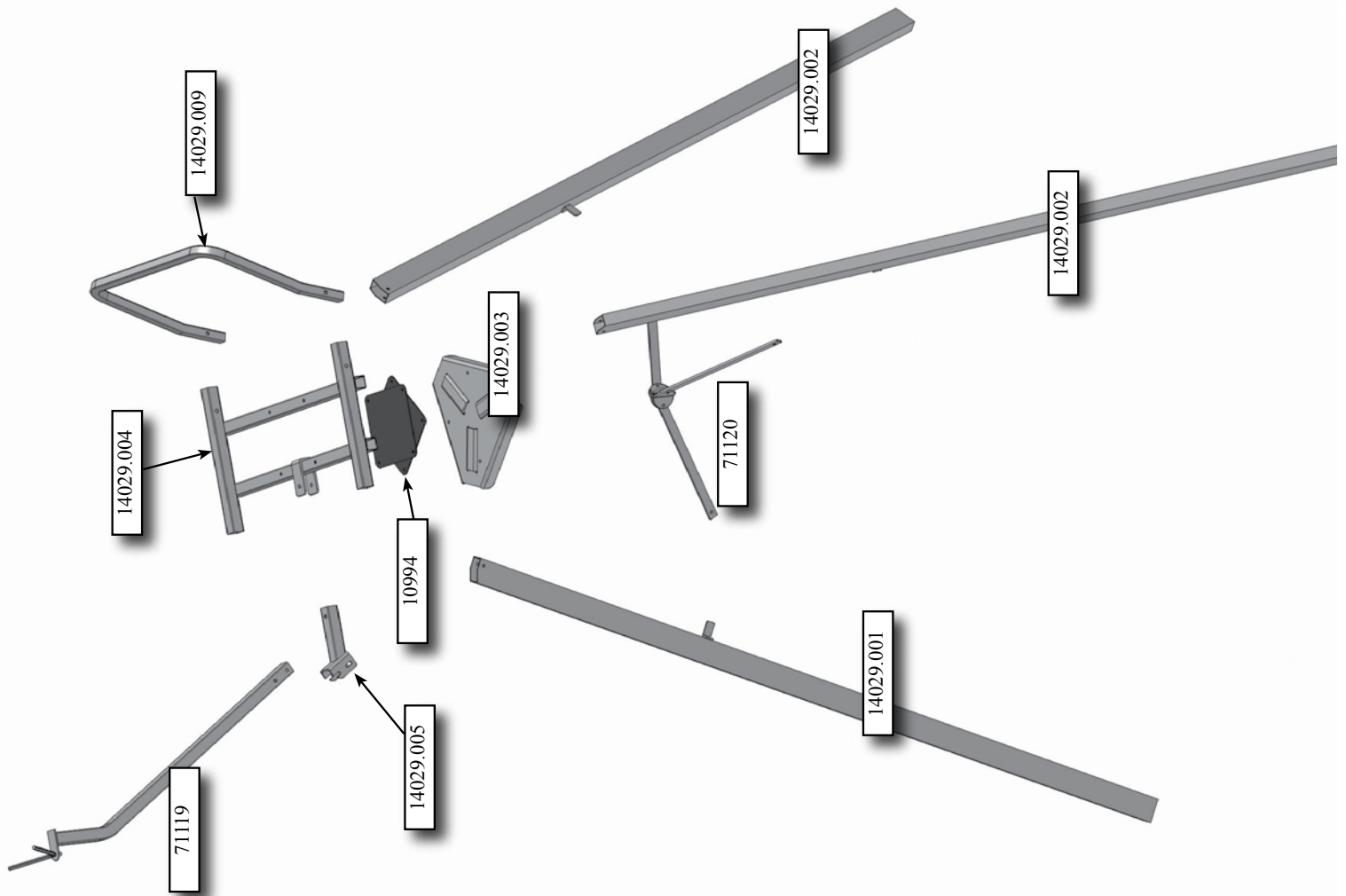
### ⚠ CAUTION

Look for nicks, gouges, cuts, cracks, bends, corrosion or similar damage that can be the result of improper use or accidental damage. For instance, this could occur if someone else used the treestand without knowledge of its proper use, or if the treestand were dropped, hit by a motor vehicle or subject to corrosive conditions, etc.

Summit Treestands have the highest structural integrity by design, material selection and manufacturing techniques, but as its owner, only your continued care will assure trouble free performance. When the above-mentioned guidelines are followed, your Summit Treestand will provide years of successful hunting.

[www.summitstands.com](http://www.summitstands.com)  
[www.mysummitgear.com](http://www.mysummitgear.com)

## 7 **PRODUCT VIEWS**



## 8 **WARRANTY**

### Limited Warranty

#### (A) Warranty

Summit Treestands, LLC (Summit) warrants to the original retail purchaser that all products manufactured by it are free from defects in material and manufacture at the time of shipment for sixty (60) months from the date of purchase. Summit will repair or replace any part found defective if the unit claimed to be defective shall be returned to Summit, postage prepaid, within the warranty period.

This warranty shall not apply to any product which has been subjected to misuse; misapplication; neglect (including but not limited to improper maintenance); accident; improper installation; modification (including but not limited to use of unauthorized parts or attachments); adjustment or repair. THE FOREGOING IS IN LIEU OF ALL OTHER WARRANTIES, WHETHER EXPRESS OR IMPLIED (INCLUDING THOSE OF MERCHANTABILITY AND FITNESS OF ANY PRODUCT FOR A PARTICULAR PURPOSE), AND OF ANY OTHER OBLIGATION OF LIABILITY ON THE PART OF THE COMPANY.

#### (B) Limitation of Liability

It is expressly understood that Summit's liability for its products, whether due to breach of warranty, negligence, strict liability, or otherwise, is limited to the repair of the product, as stated above, and Summit will not be liable for any other injury, loss, damage, or expense, whether direct or consequential, including but not limited to loss of use, income, profit, or damage to material, arising in connection with the sale, installation, use of, inability to use, or the repair or replacement of Summit's products.

Summit reserves the right to make alterations or modifications in its products at any time, which in its opinion, may improve the performance and efficiency of the product. It shall not be obligated to make such alterations or modifications to products already in service.

**Please take the time to fill out the warranty card online at <http://www.summitstands.com/warranty> or fill out and mail in the enclosed warranty card.**