

INSTRUCTIONS



WARNING

You must fully read, understand and follow these warnings and instructions (written and video)! Failure to follow these instructions may cause serious injury or death!!

You **MUST** also view the enclosed DVD **BEFORE** using your new treestand!!

WEIGHT LIMIT

SINGLE USER

300 LBS. X 1 TOTAL**

DOUBLE OCCUPANCY (TWO USERS)

250 LBS. MAX. INDIVIDUAL**

500 LBS MAX. COMBINED TOTAL**

DO NOT EXCEED THIS LIMIT!
(Includes all gear)**

SUMMIT
EST. 1981
TREESTANDS

2009 Double X-Pod
PN 82037

- **WHEN HUNTING FROM A TREESTAND FALLS CAUSING INJURY OR DEATH CAN OCCUR ANY TIME AFTER LEAVING THE GROUND!** FOR THOSE REASONS ALWAYS WEAR A FALL ARREST SYSTEM (FAS) COMPRISING A FULL BODY HARNESS AT ALL TIMES AFTER LEAVING THE GROUND. YOU MUST STAY CONNECTED AT ALL TIMES AFTER LEAVING THE GROUND WHILE USING ANY ELEVATED HUNTING PLATFORM. SINGLE SAFETY BELTS AND CHEST HARNESSES ARE NO LONGER ALLOWED AND SHOULD NEVER BE USED. IF YOU ARE NOT WEARING A FULL BODY HARNESS THAT IS PROTECTING YOU FROM A FALL, DO NOT LEAVE THE GROUND!
- READ AND UNDERSTAND ALL OF THE MANUFACTURER'S WARNINGS AND INSTRUCTIONS AND USE ALL SAFETY DEVICES PROVIDED. CONTACT SUMMIT TREESTANDS FOR ANY QUESTIONS. FAILURE TO DO SO COULD RESULT IN INJURY OR DEATH!
- A SIGNAL DEVICE SUCH A MOBILE PHONE, RADIO, WHISTLE, SIGNAL FLARE OR PERSONAL LOCATOR DEVICE (PLD) MUST BE ON YOUR PERSON AND READILY AVAILABLE AT ALL TIMES! ALWAYS INFORM SOMEONE OF YOUR HUNTING LOCATION, WHERE THE TREESTAND WILL BE LOCATED AND THE EXPECTED DURATION OF THE HUNT!
- DO NOT USE ANY TREESTAND UNLESS YOU ARE IN GOOD PHYSICAL SHAPE AND HAVE NO PHYSICAL LIMITATIONS OR MEDICAL CONDITIONS WHICH MAY PREVENT YOU FROM SAFELY USING THIS PRODUCT. ALWAYS CONSULT A PHYSICIAN IF YOU HAVE ANY QUESTIONS ABOUT YOUR PHYSICAL ABILITY TO USE THIS PRODUCT.
- NEVER USE A TREESTAND WHILE TAKING DRUGS, ALCOHOL OR CERTAIN PRESCRIPTION DRUGS! ALWAYS CONSULT A PHYSICIAN IF YOU HAVE ANY QUESTION ABOUT TAKING SPECIFIC MEDICATIONS AND USING THIS PRODUCT!
- NEVER USE A TREESTAND DURING INCLEMENT WEATHER SUCH AS RAIN, LIGHTNING, WINDSTORMS OR ICY CONDITIONS! END YOUR HUNT AND RETURN TO THE GROUND IF ANY OF THESE INCLEMENT CONDITIONS ARISE.
- NEVER USE A TREESTAND WHEN FEELING ILL, NAUSEOUS, DROWSY OR DIZZY!
- BE WELL RESTED AND NEVER HURRY. HURRYING CAUSES ACCIDENTS!
- IT IS MANDATORY THAT BOTH OF THE SUPPLIED AUGERS BE USED WITH THIS STAND! BOTH AUGERS MUST BE SCREWED COMPLETELY INTO THE GROUND BEFORE USE!
- CHECK EVERY LADDER SECTION CONNECTION EVERY TIME YOU USE THE STAND. IF ANY LADDER SECTIONS ARE SEPARATING - DO NOT USE THE STAND!
- CHECK THE GROUND UNDER THE STAND TO MAKE SURE IT IS FIRM AND LEVEL. SLOPING GROUND OR AN UNEVEN SURFACE (ONE LADDER SECTION ON A ROCK FOR EXAMPLE) CAN CAUSE YOUR STAND TO TILT OR SHIFT AS YOU CLIMB.
- ALWAYS MAINTAIN THREE POINTS OF CONTACT WHEN YOU CLIMB THE LADDER SECTION OF THIS STAND!
- PULL UP A BOW, BACKPACK, FIREARM OR OTHER EQUIPMENT ONLY AFTER BEING SECURE IN THE TREESTAND. FIREARMS MUST BE PULLED UP UNLOADED, CHAMBER OPEN AND MUZZLE DOWN!
- NEVER MODIFY YOUR STAND IN ANY WAY BY MAKING REPAIRS, REPLACING PARTS, OR ALTERING ADDING OR ATTACHING ANYTHING TO IT EXCEPT IF EXPLICITLY AUTHORIZED IN WRITING BY THE MANUFACTURER!
- INSTRUCTIONS (WRITTEN AND VIDEO) SHOULD BE KEPT IN A SAFE PLACE AND REVIEWED AT LEAST ANNUALLY. IT IS THE RESPONSIBILITY OF THE TREESTAND OWNER TO FURNISH THE COMPLETE INSTRUCTIONS TO ANY PERSON WHO BORROWS OR PURCHASES THE TREESTAND! THIS SUMMIT TREESTAND IS DESIGNED TO BE USED AS A COMPLETE SYSTEM - NEVER LOAN OR SELL ONLY A PORTION OF THIS TREESTAND SYSTEM.
- BEFORE EACH USE OF YOUR SUMMIT TREESTAND, ALWAYS INSPECT THE TREESTAND FOR ANY DAMAGE, CRACKS, TEARS, CABLE WEAR OR ABRASION THAT MAY HAVE OCCURRED IN TRANSPORTING / STORING YOUR TREESTAND. DO NOT USE IF ANY DAMAGE IS FOUND! CONTACT CUSTOMER SERVICE FOR THE APPROPRIATE REPAIR / REPLACEMENT PROCEDURE!
- DO NOT LEAVE YOUR TREESTAND OUTDOORS WHEN IT IS NOT BEING USED! ANY STAND TUBING THAT IS ALLOWED TO FILL WITH RAINWATER AND FREEZE WILL RUPTURE OR BURST - DO NOT USE YOUR TREESTAND IF THIS OCCURS!

1 INDEX

GENERAL WARNINGS AND PRECAUTIONS, STAND WEIGHT LIMITS
 SECTION 1 - INDEX
 SECTION 2 - PARTS LIST
 SECTION 3 - TOOLS REQUIRED
 SECTION 4 - ASSEMBLY
 SECTION 5 - SETUP AND USE
 SECTION 6 - MAINTENANCE AND CARE
 SECTION 7 - WARRANTY INFORMATION
 SECTION 8 - PRODUCT VIEWS

PG 1
 PG 2
 PG 2
 PG 3
 PG 3-9
 PG 10-11
 PG 11
 PG 11
 PG 12

2 PARTS LIST

Please call 256-353-0634 or visit <http://www.summitstands.com/contactus/> if you have any questions, if you need replacement parts, if you have any missing parts or if the included DVD does not play.

BOX CONTENTS

PN	DESCRIPTION	QTY
14037.001	PLATFORM ASSEMBLY	1
14037.002	RIGHT SIDE SEAT RAIL TUBE	1
14037.003	LEFT SIDE SEAT RAIL TUBE	1
14037.004	SEAT RAIL CONNECTOR	1
14037.005	UPPER LADDER SUPPORT COLUMN	2
14037.006	LOWER LADDER SUPPORT COLUMN	2
14037.007	UPPER SUPPORT COLUMN	2
14037.008	CROSS BRACE	2
14037.009	LOWER SUPPORT COLUMN	2
14037.010	COUPLER PLATE	4
14037.011	SEAT RAIL SUPPORT TUBES	2
14037.012	AUGER	2
14037.013	PLATFORM SUPPORT BARS	2
14037.014	LADDER RUNGS	8
14037.015	GUN REST TUBE	1
14037.016	L SHAPED SEAT SUPPORT TUBE	2
14037.017	72" SUPPORT ASSEMBLY BRACE	4
14037.018	SEAT TUBE SUPPORT BAR	1
85071	FOAM SUSPENSION SEAT	2
70805	ACCESSORY PACKET	1

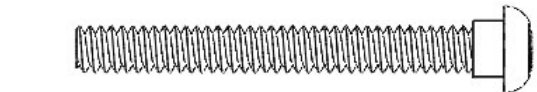
70805 - ACCESSORY PACKET CONTENTS

PN	DESCRIPTION	QTY
50534	LONG LADDER STRAP WITH LOOP	2
50535	LADDER RATCHET STRAP	2
74225	36" GUN REST PAD	1
10656	IN-LINE CABLE TIES	3
22037	HARDWARE KIT	1
	WRITTEN INSTRUCTIONS	1
10880	2009 INSTRUCTION / SAFETY DVD	1

22037 - HARDWARE PACKET

PN	DESCRIPTION	QTY
10611	1 1/2" BOLT, 5/16x18	12
10615	1 3/4" BOLT, 5/16x18	26
10610	2 3/4" BOLT, 5/16x18	16
10617	LOCK NUT, 5/16x18	54

PN	DESCRIPTION	QTY
10632	2 1/2" CARRIAGE BOLT, 1/4x20	2
10633	NEOPRENE WASHER	2
10635	SELF TAPPING SCREW	2
10544	GUN REST ADJUSTMENT BRACKET	4
10660	KNOB	2



3 TOOLS REQUIRED

Tools

- 1/2" Wrenches and / or Socket / Ratchet
- Knife or Snips
- Phillips Head Screwdriver

- Assembly can be made easier by the use of a powered ratchet or drill with socket adapter (take care not to overtighten when using power tools to assemble)

- It is recommended that all bolts be sorted by size prior to assembly.

Use

- Main Ladder Bolts / Nuts
- Cable Tie Trimming
- Self Tapping Screw Installation

4 ASSEMBLY

Main Support Assembly

Step 1. Position the two upper and the two lower support columns as shown in **figure 1**. Please note the correct orientation of the welded brackets.

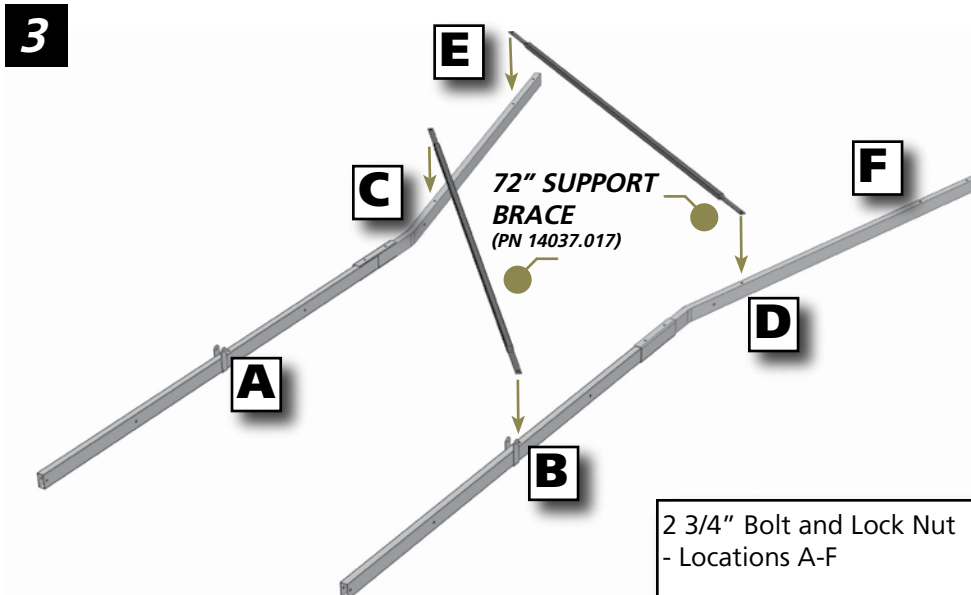
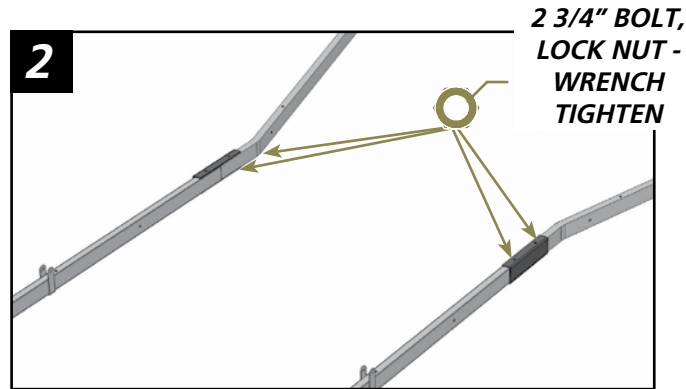
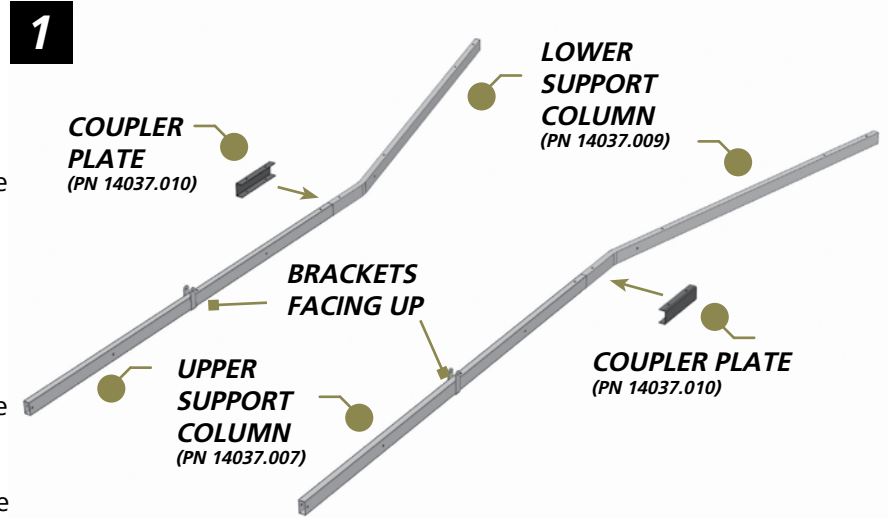
Step 2. Line up the holes and lay one coupler plate across the joint. Bolt together using two 2 3/4" long bolts with lock nuts (**See figure 2**).

Step 3. Repeat for the other Coupler Plate.

Step 4. Lay one 72" support across the Support Assembly from **Bolt Hole B to C** (**See figure 3**). Secure **hand tight** using two 2 3/4" bolts and lock nuts.

Step 5. Lay one 72" support across the Support Assembly from **Bolt Hole D to E** (**See figure 3**). Secure **hand tight** using two 2 3/4" bolts and lock nuts.

Step 6. Carefully flip Support Assembly over.



Step 7. Lay one 72" support across the Support Assembly from **Bolt Hole A to D** (See figure 4).

NOTE: Bolt D is shared between the support put on in previous **Step 5**. Remove **Bolt D**, attach the support and reinstall **hand tight**. Use one 2 3/4" bolt and lock nut to secure **Bolt A**.

Step 8. Lay the remaining 72" support across the Support Assembly from **Bolt Hole C to F** (See figure 4). **NOTE: Bolt C** is shared between the support put on in previous **Step 4**. Remove **Bolt C**, attach the support and reinstall **hand tight**. Use one 2 3/4" bolt and lock nut to secure **Bolt F**.

Step 9. SECURELY TIGHTEN

BOLTS A-F!!! Flip Support Assembly back over.

Your Finished Support Assembly should look like **figure 5**.

Seat Rail Support Assembly

Step 1. Orient the Left Seat Rail Tube and the Seat Rail Connector as shown in **figure 6**.

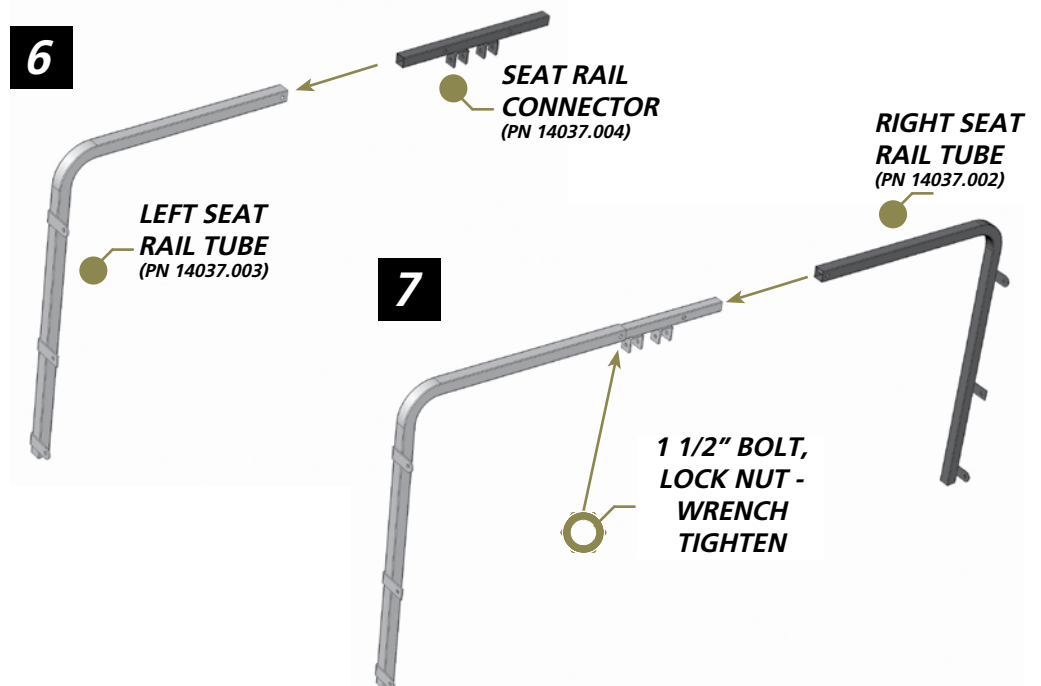
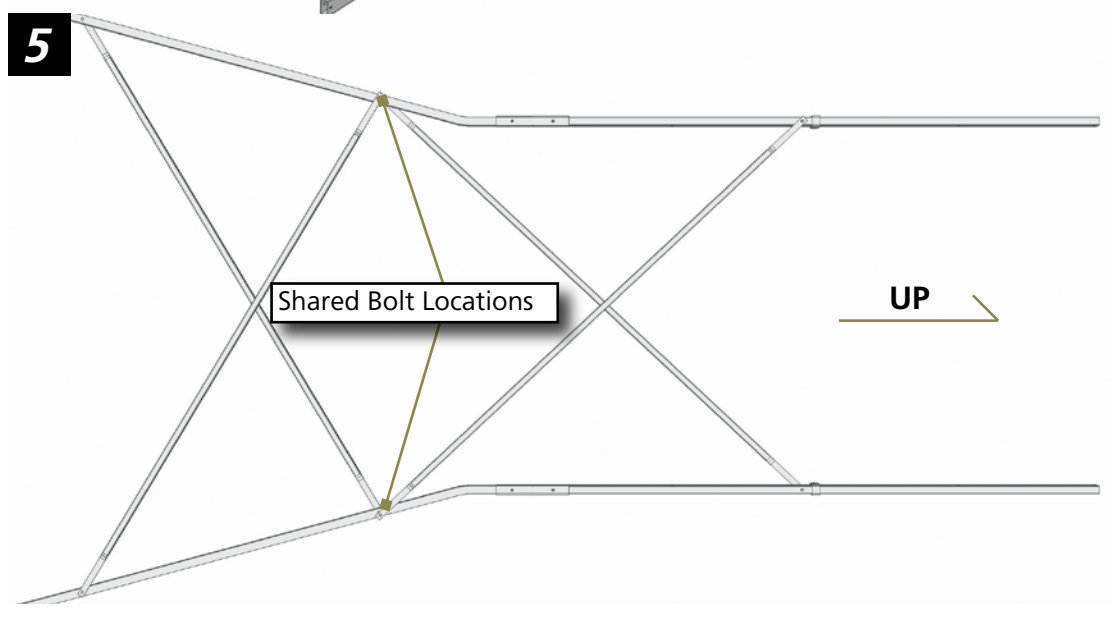
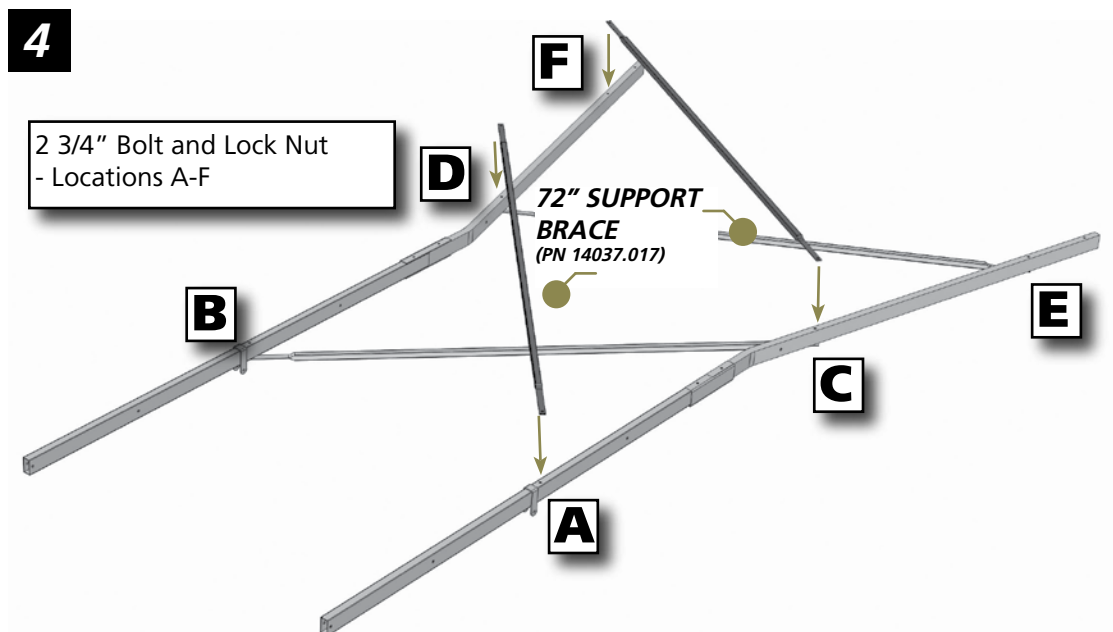
Step 2. Slide the Seat Rail Connector into the Seat Rail Tube and line up the holes. Bolt together using one 1 1/2" bolt and lock nut.

Step 3. Orient the Right Seat Rail Tube as shown in **figure 7**. Slide the Seat Rail onto the Seat Rail Connector and line up the holes. Bolt together using one 1 1/2" bolt and lock nut. The finished Seat Rail Support should look like **figure 8**.

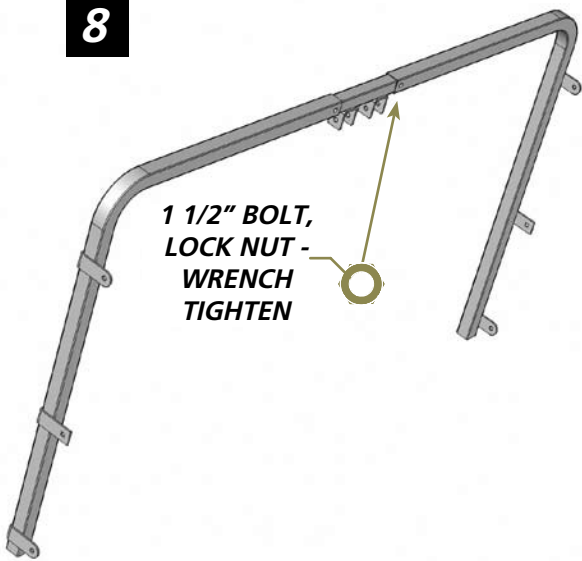
Step 4. Line up the finished Seat Rail Support Assembly and the Main Support Assembly (from **Page 3**) as shown in **figure 9**. Bolt together using one 1 1/2" bolt and lock nut per side.

Step 5. Position the two Seat Rail Support Tubes as shown in **figure 10**.

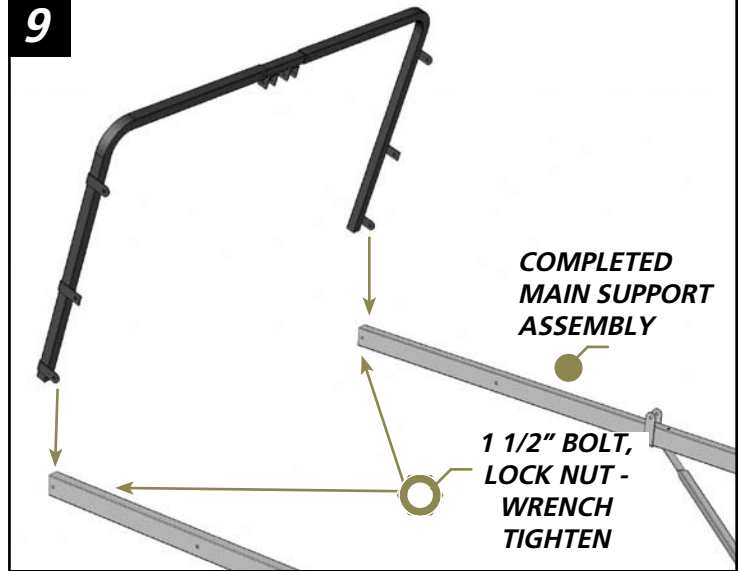
Step 6. Attach the Support Tubes at the upper hole using one 1 1/2" bolt and lock nut each. Run the bolts from the inside out so that the head of the bolt is on the inside. Attach the Support Tubes at the lower hole using one 1 3/4" bolt and lock nut each.



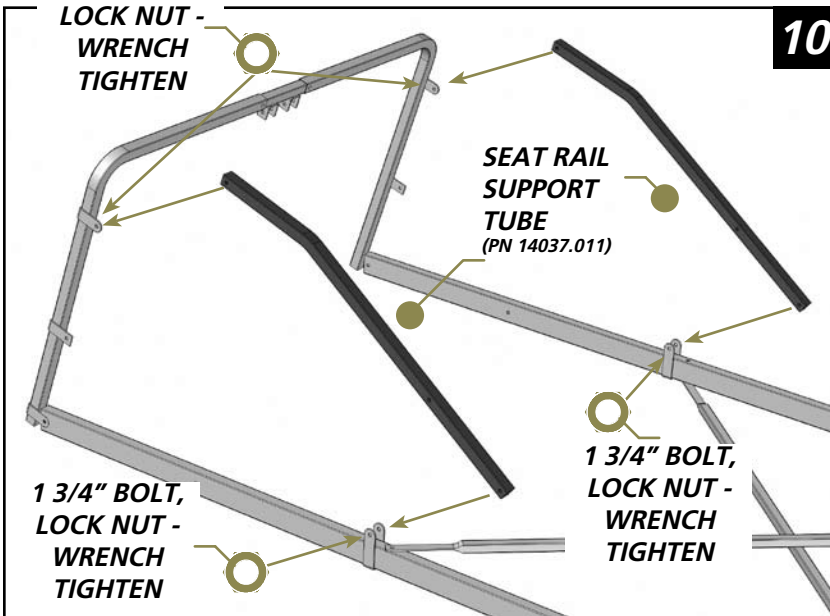
8



9



1 1/2" BOLT,
LOCK NUT -
WRENCH
TIGHTEN

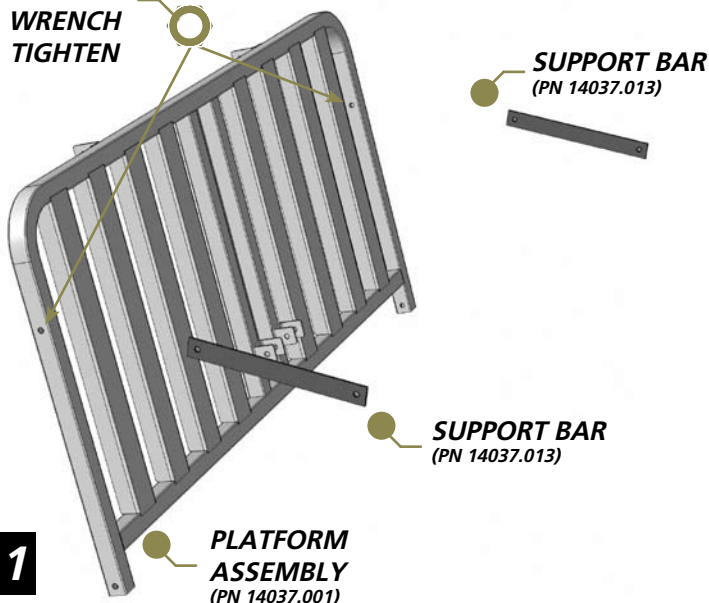


10

Platform Assembly

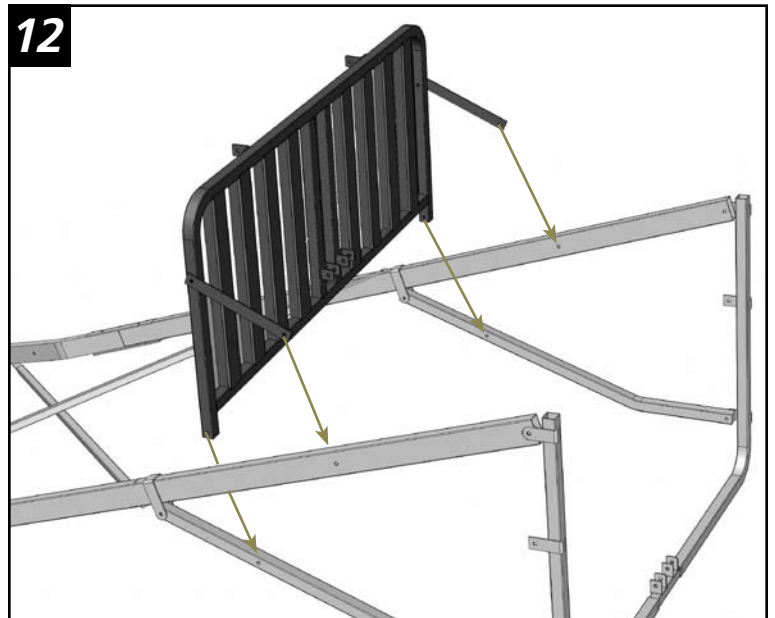
- Step 1.** Position the platform and the two long flat metal Support Bars as shown in **figure 11**.
- Step 2.** Secure the Support Bars to the platform using two 1 1/2" bolts and lock nuts.
- Step 3.** Orient the Platform Assembly and the Support / Seat Rail Assembly as shown in **figure 12**.

1 1/2" BOLT,
LOCK NUT -
WRENCH
TIGHTEN



11

12



Platform Assembly (continued)

Step 4. Attach the Platform Support bars to the pre-punched holes in the Support Tubes (**figure 13**). Use two 1 1/2" bolts with lock nuts to secure. Run the bolts from the inside out to put the nut on the outside of the stand.

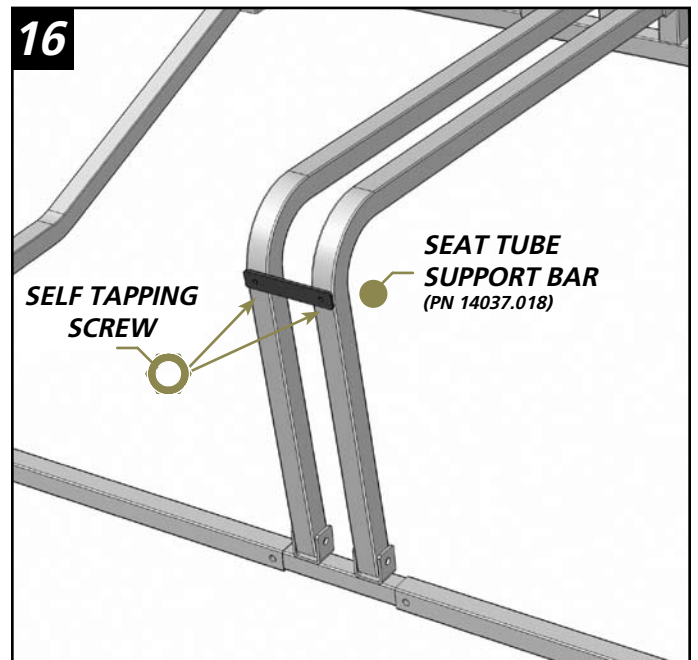
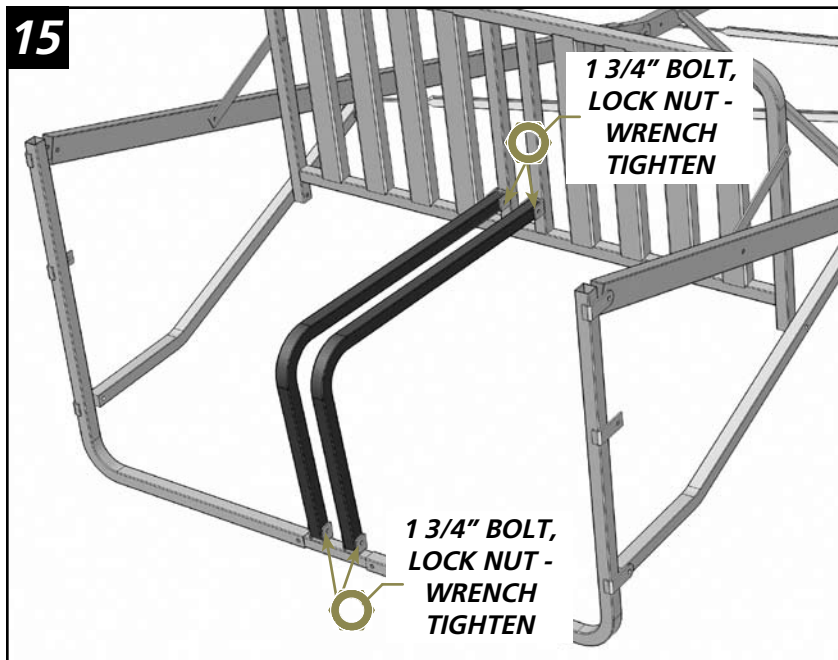
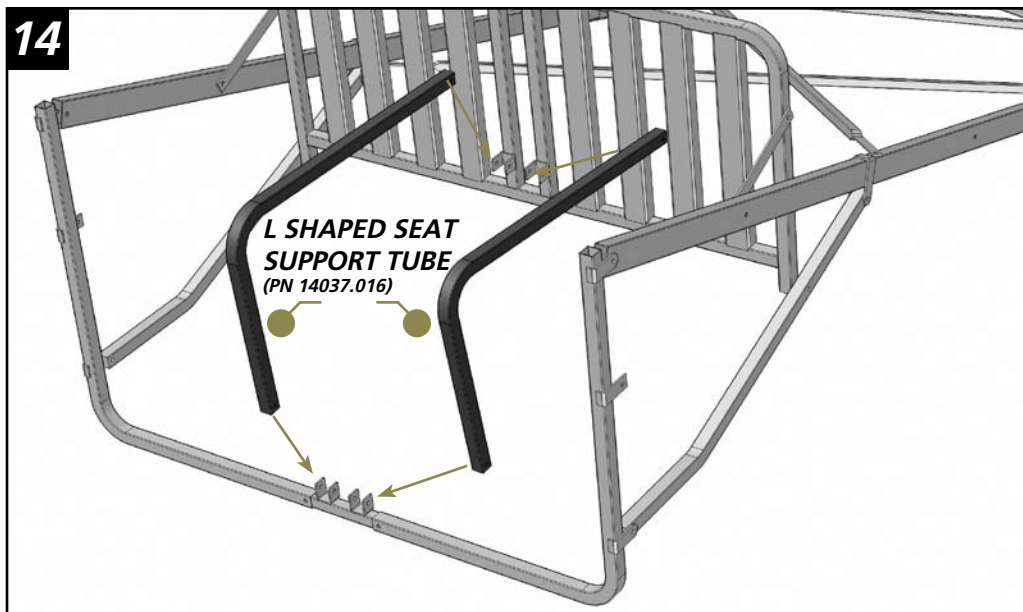
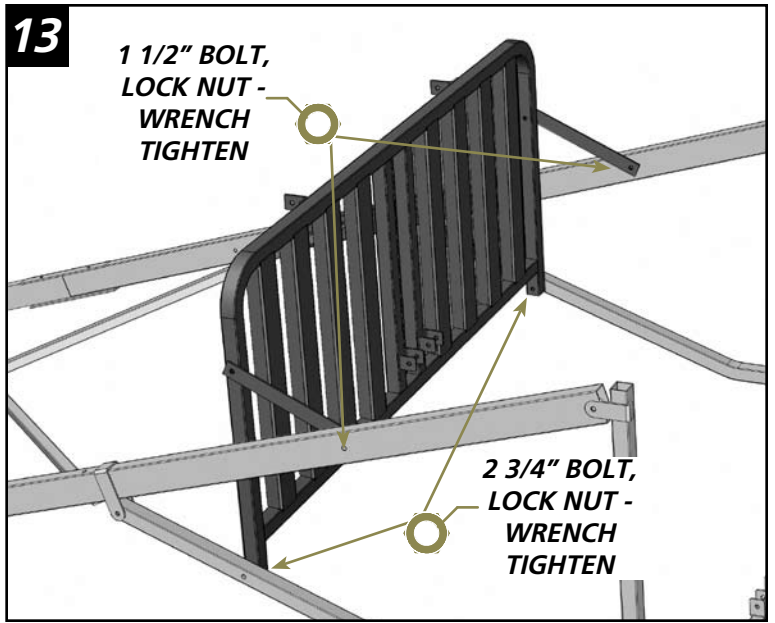
Step 5. Attach the Platform to the Seat Rail Support Tubes also shown in **figure 13**. Use two 2 3/4" bolts and lock nuts to secure.

Platform to Seat Rail Support Assembly

Step 1. Position the two L-Shaped Support Tubes as shown in **figure 14**.

Step 2. Secure each Support using two 1 3/4" bolts and lock nuts as shown in **figure 15**.

Step 3. Position the Seat Tube Support Bar as shown in **figure 16**. The bar should be positioned just below the 90 degree bend as shown in **figure 16**. Secure using two self tapping screws.



Ladder Assembly

Step 1. Arrange one Upper Ladder Support Column and three Ladder Rungs as shown in **figure 17**.

Step 2. Use three 1 3/4" bolts with lock nuts to secure the rungs to the support column. Hand tighten these bolts.

Step 3. Place the remaining Upper Ladder Support Column on the three rungs as shown in **figure 18**. Use three 1 3/4" bolts with lock nuts to secure - Hand tighten these bolts.

Step 4. Arrange one Lower Ladder Support Column and five Ladder Rungs as shown in **figure 19**. Use five 1 3/4" bolts with lock nuts to secure the rungs to the support column. Hand tighten these bolts.

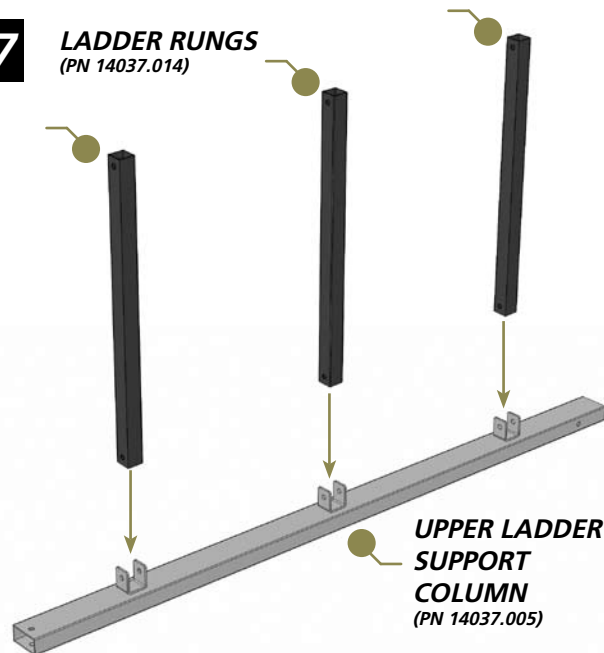
Step 5. Place the remaining Lower Ladder Support Column on the five rungs as shown in **figure 20**. Use five 1 3/4" bolts with lock nuts to secure the rungs to the support column. Hand tighten these bolts.

Step 6. Arrange the Upper and Lower Ladder Support Columns as shown in **figure 21**. Line up the holes and lay one coupler plate across the joint. Bolt together using two 2 3/4" long bolts and lock nuts.

Step 7. Once the coupler plates are secured - **SECURELY TIGHTEN BOLTS FROM STEP 2, 3, 4 and 5.**

Step 8. Repeat for other side.

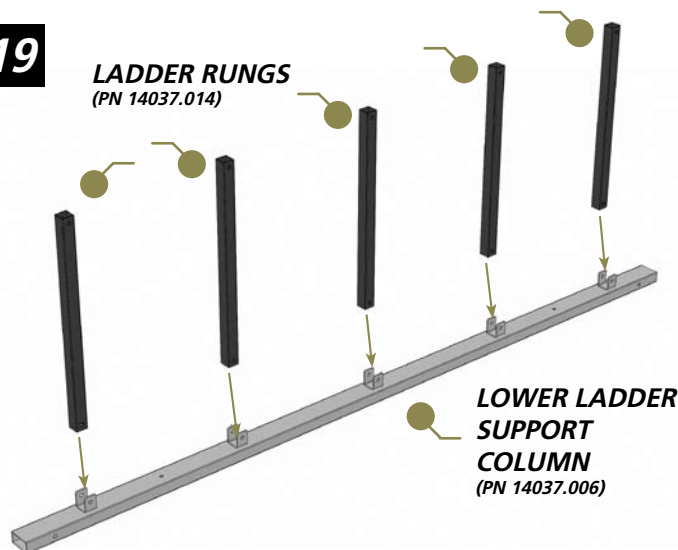
17 LADDER RUNGS (PN 14037.014)



UPPER LADDER
SUPPORT
COLUMN
(PN 14037.005)

19

LADDER RUNGS (PN 14037.014)

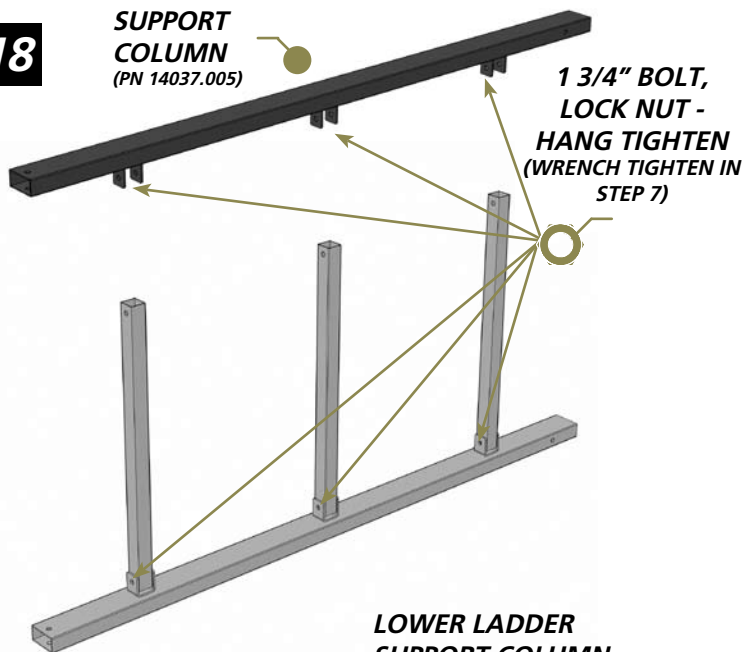


LOWER LADDER
SUPPORT
COLUMN
(PN 14037.006)

18

UPPER LADDER SUPPORT COLUMN (PN 14037.005)

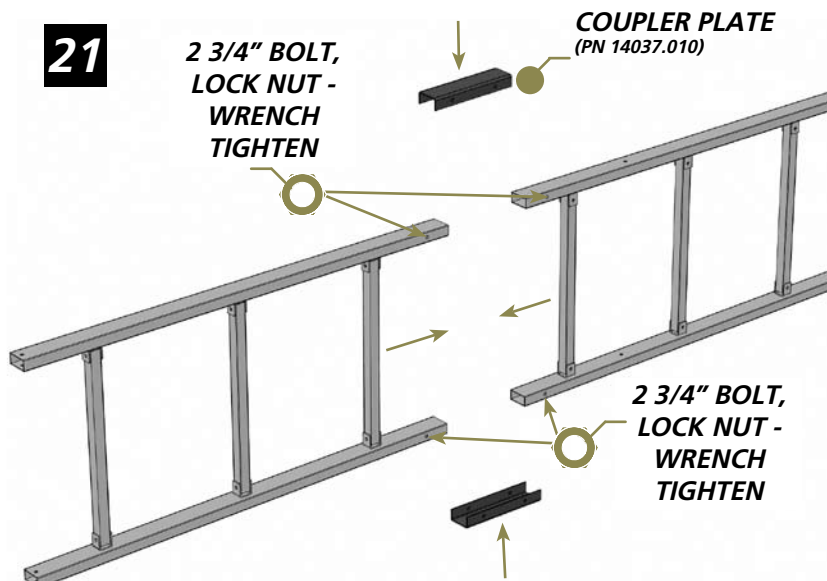
1 3/4" BOLT,
LOCK NUT -
HANG TIGHTEN
(WRENCH TIGHTEN IN
STEP 7)



21

2 3/4" BOLT,
LOCK NUT -
WRENCH
TIGHTEN

COUPLER PLATE (PN 14037.010)



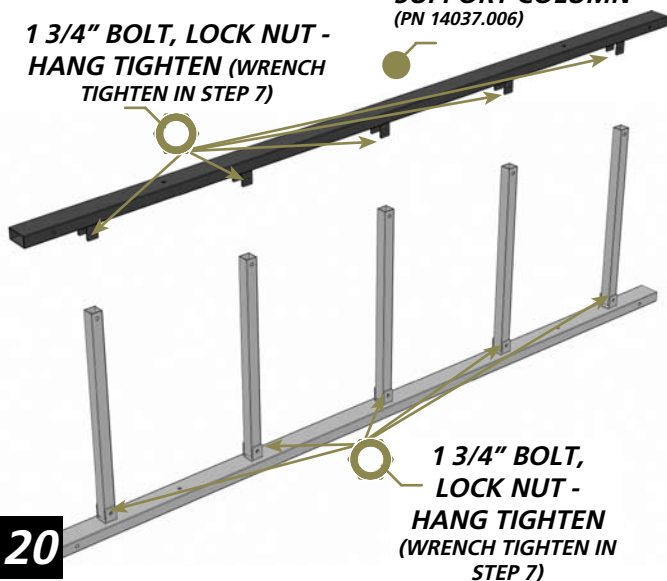
2 3/4" BOLT,
LOCK NUT -
WRENCH
TIGHTEN

20

LOWER LADDER SUPPORT COLUMN (PN 14037.006)

1 3/4" BOLT, LOCK NUT -
HANG TIGHTEN (WRENCH
TIGHTEN IN STEP 7)

1 3/4" BOLT,
LOCK NUT -
HANG TIGHTEN
(WRENCH TIGHTEN IN
STEP 7)



Ladder to Support Assembly

Step 1. Position the Ladder Assembly and the Support Assembly as shown in **figure 22**. Slide the Ladder between the two mounting tabs and secure with two 1 1/2" bolts with lock nuts.

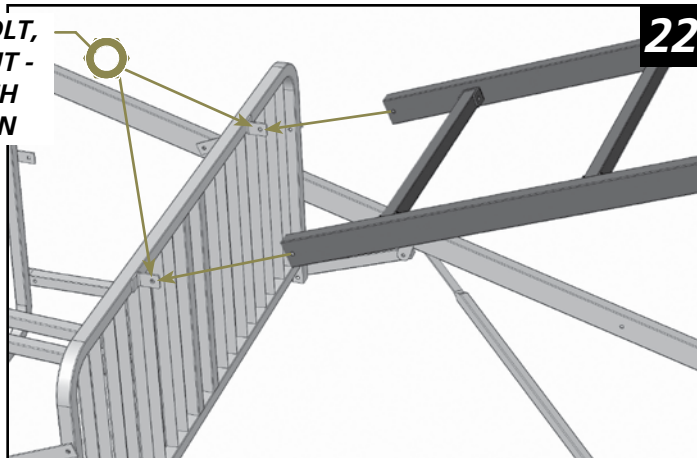
Step 2. Position one cross brace between the Ladder Assembly and the Support Assembly as shown in **figure 23**. Hand tighten **Bolt B** using one 1 3/4" bolt and lock nut.

Step 3. Position the Cross Brace so that it lines up with **Bolt Hole A**. This will require you to push in on the brace. Use one 1 3/4" bolt and lock nut to secure. **SECURELY TIGHTEN THE BOLT FROM STEP 3.**

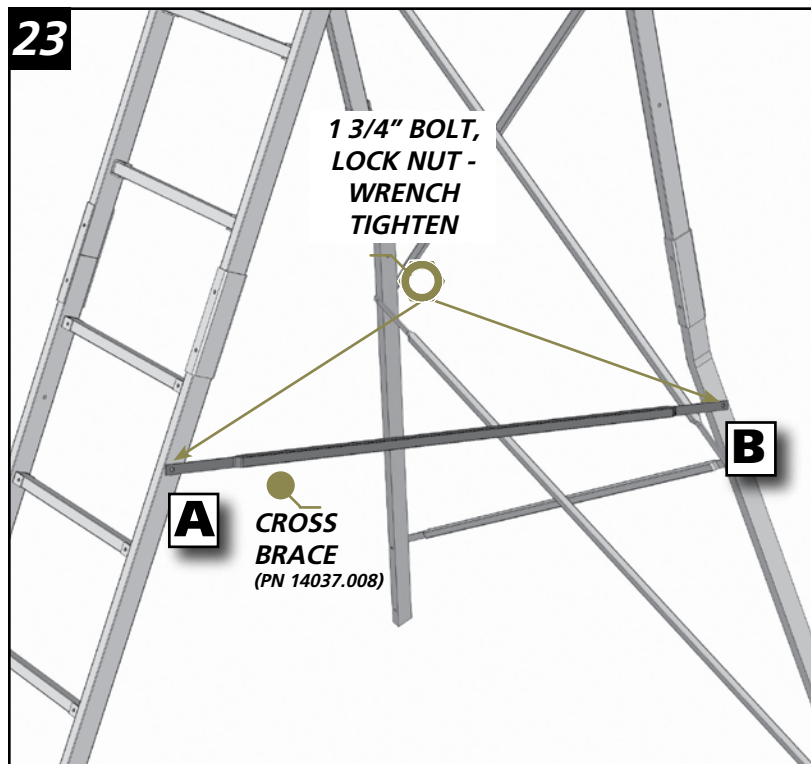
Step 4. Repeat for other side.

1 1/2" BOLT,
LOCK NUT -
WRENCH
TIGHTEN

22



23



1 3/4" BOLT,
LOCK NUT -
WRENCH
TIGHTEN

A

CROSS
BRACE
(PN 14037.008)

B

Gun Rest Assembly

Step 1. Position the Gun Rest bar as shown in **figure 25**.

Step 2. Use **figure 24** for exploded view. Run one 2 1/2" carriage bolt from the inside of the Seat Rail Support through the welded bracket.

Step 2. Align one Adjustment Bracket on the outside of the welded bracket. Slide the Adjustment Bracket over the Carriage bolt and seat it on the welded bracket.

Step 3. Slide one Neoprene washer over the Carriage bolt.

Step 4. Align the other Adjustment Bracket so that the teeth face inward. Slide this over the Carriage bolt.

Step 5. Align the Gun Rest tube with the slot in the Adjustment Bracket and slide it over the Carriage bolt and seat it into the Adjustment Bracket.

Step 6. Screw on the large knob to secure.

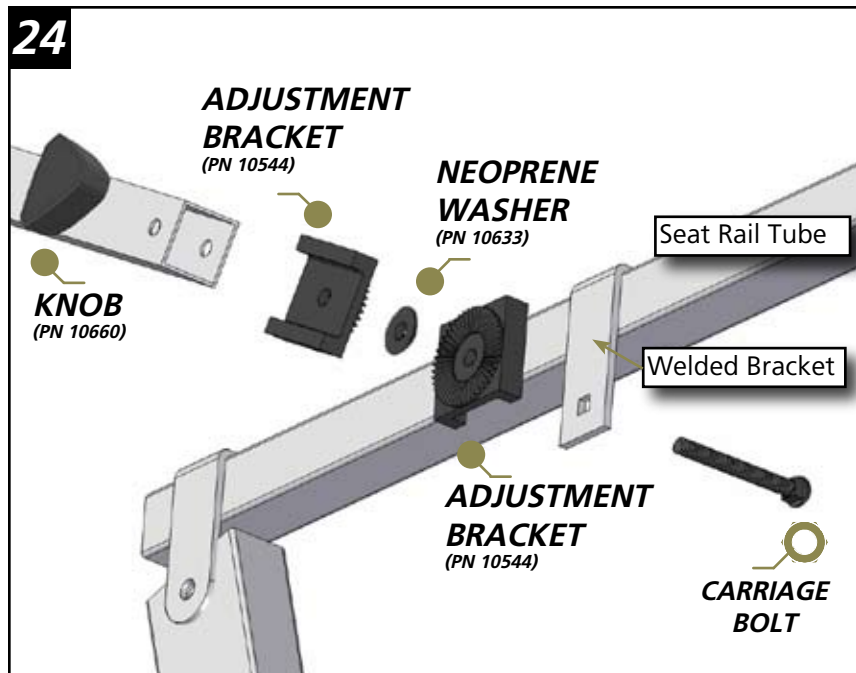
Step 7. Repeat for other side.

WARNING

Never use the gun rest assembly as a hand hold while climbing into our out of the stand!

Step 8. Position the Gun Rest bar pad as shown in **figure 26**. Use three cable ties to secure the pad. Note the Correct and Incorrect way of attaching. Pull the cable ties snug and trim off the excess. Rotate the clasp to the underside of the pad.

24



ADJUSTMENT
BRACKET
(PN 10544)

NEOPRENE
WASHER
(PN 10633)

Seat Rail Tube

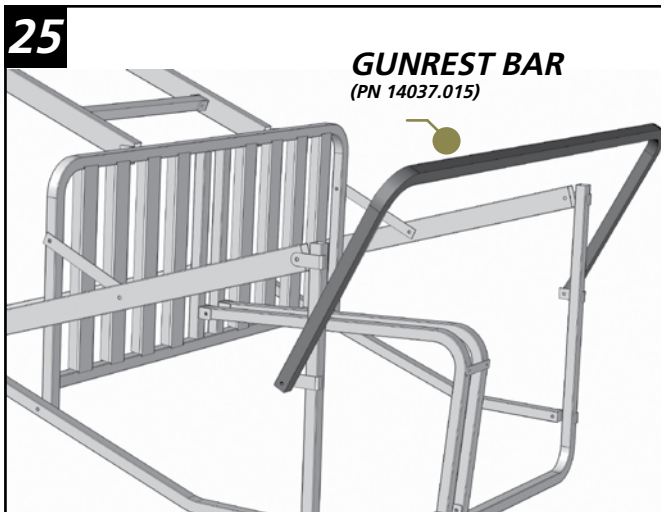
Welded Bracket

KNOB
(PN 10660)

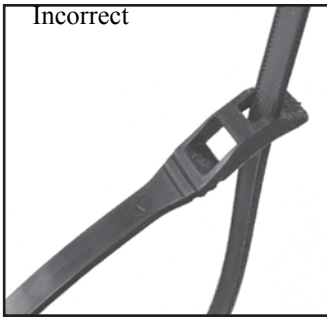
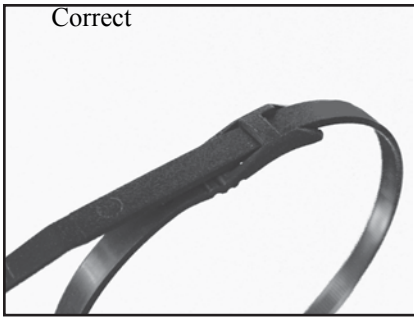
ADJUSTMENT
BRACKET
(PN 10544)

CARRIAGE
BOLT

25



GUNREST BAR
(PN 14037.015)



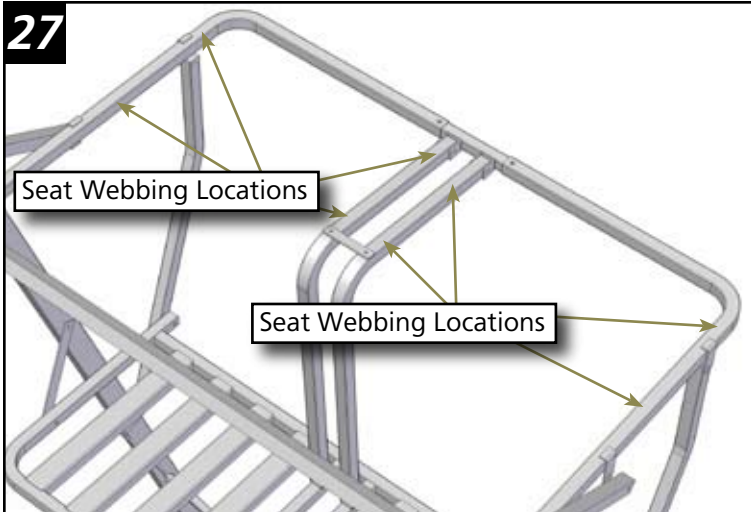
Summit products are manufactured under one or more of the following US Patents: 5,937,969; 5,971,104; 5,975,242; 5,979,603; 6,125,966; 6,182,792; 6,397,973; D,417,011; D,420,147; D,575,411

Summit Bucksteps are Patent Pending

Attaching the Seats

NOTICE
The foam seat included with these treestands is removable for storage. **DO NOT** leave your stand outdoors when it is not being used.

- Step 1.** Pull the seats up using a pull up rope.
- Step 2.** The seats on the Double X-Pod will attach at the locations illustrated in **figure 27**. The inside webbing on each seat **MUST** attach between the back of the Seat Rail Support Tubes and the screwed on Support Bar.
- Step 3.** Loop the webbing over the frame from the inside out. Secure the seat buckles as shown in **figure 28**. Turn the three bar slide sideways and push it through the larger D shaped ring as shown in **figure 29**.
- Step 4.** The seat back has a sewn in strap that attaches around the back of the Seat Support bar. Snap the strap in place.



5 SETUP AND USE

Attaching the Ladder Ratchet Straps

⚠ WARNING

Never Wrap The Ratchet Straps Around The Ladder Rungs! Wrap Them Only Around The Ladder Columns! (see figure 30)

⚠ WARNING

It is required that at least three people initially set up the ladder stand. Always use two helpers

Step 1. Attach the two long cross-straps around the Support Assembly as shown in **figure 30**. This strap should attach **ABOVE** the U-Bracket where the arm rest support tube is bolted and **BELOW** the Platform. Wrap the looped end around the column and run the free end through to create a cinch knot (See **figure 31** and **figure 32**). Repeat for the other side.

Step 2. Drill the supplied augers into the soil. The augers should angle slightly away from the ladder. The distance from the augers to the stand will vary but it should be **AT LEAST 15 FEET** to the side - greater if possible.

⚠ WARNING

It is mandatory that both augers be used with this stand! See **figure 33** for proper placement of the augers and the stand! It is mandatory that the augers be drilled down completely into the soil as shown in **figure 34**!

The augers will be easier to screw into the ground if you have access to a screw driver, crowbar or other non-flexing "cheater bar".

⚠ WARNING

Always ensure the augers do not move once they are screwed into the ground.

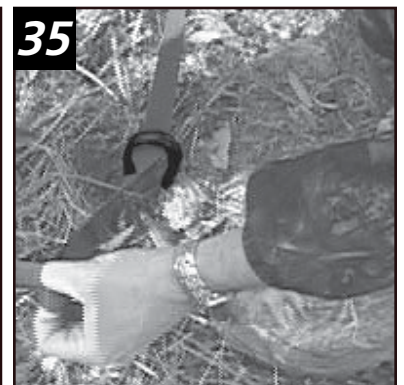
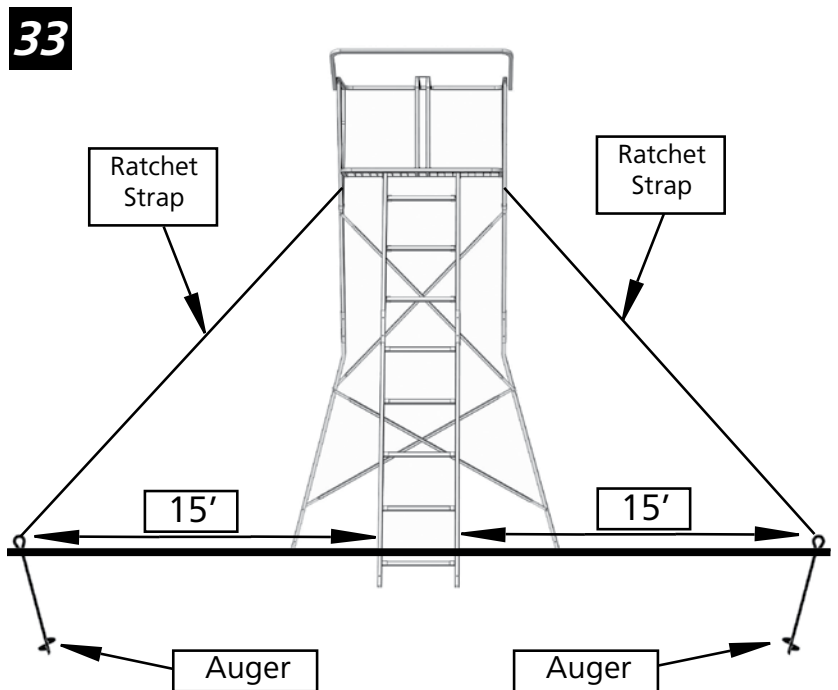
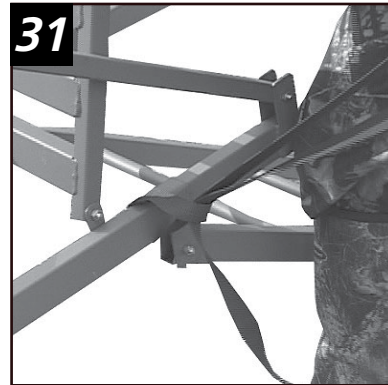
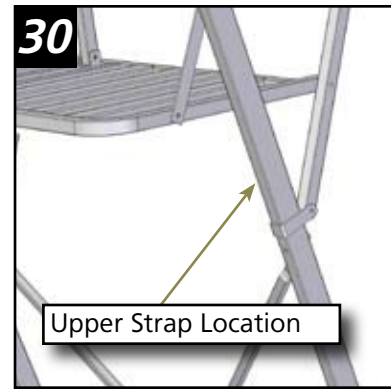
Step 3. Thread the ratchet strap sewn loop through the eye of the auger as shown in **figure 35**. Thread the ratchet back through the sewn loop and pull tight as shown in **figure 36**. Repeat for other side.

Step 4. Thread the long strap through the ratchet as shown in **figure 37**. DO NOT ratchet completely tight.

Step 5. Alternate ratcheting from one side to the other until the straps are tight and the X-Pod is secure. Secure the loose ends at the augers.

⚠ WARNING

The ratchet straps **MUST** be properly connected and **TIGHT** before using this stand.



USE

Climb slowly at first, checking the stability as you go. **MAKE SURE** the straps stay taut as you climb. If they loosen as you climb it might be a sign that the augers have shifted.

⚠️ WARNING

YOU WILL NOT be connected to a safety rope / strap while you climb into or out of this treestand. **USE EXTREME CAUTION** while ascending or descending the ladder. **TAKE YOUR TIME** and do not hurry.

⚠️ WARNING

Always maintain three points of contact when you climb the ladder section of this stand.



6 MAINTENANCE AND CARE

The seat on this ladder stand is removable. We recommend it be removed and stored in a dry place when not in use.

The powdercoat finish applied at the factory is very durable and should only need touch ups in areas of heavy wear or accidental impact. The powder coat is applied only to the exterior surfaces of the treestand so it is possible for some surface rust to form inside the stand tubing. This is normal and should not affect the performance of the stand.

Should you damage any part of your Summit Treestand, contact your nearest authorized Summit dealer or the factory to obtain the proper corrective action procedure and/or replacement parts for the treestand.

⚠️ CAUTION

Look for nicks, gouges, cuts, cracks, bends, corrosion or similar damage that can be the result of improper use or accidental damage. For instance, this could occur if someone else used the treestand without knowledge of its proper use, or if the treestand were dropped, hit by a motor vehicle or subject to corrosive conditions, etc.

Summit Treestands have the highest structural integrity by design, material selection and manufacturing techniques, but as its owner, only your continued care will assure trouble free performance. When the above-mentioned guidelines are followed, your Summit Treestand will provide years of successful hunting.

7 WARRANTY

Limited Warranty

(A) Warranty

Summit Treestands, LLC (Summit) warrants to the original retail purchaser that all products manufactured by it are free from defects in material and manufacture at the time of shipment for sixty (60) months from the date of purchase. Summit will repair or replace any part found defective if the unit claimed to be defective shall be returned to Summit, postage prepaid, within the warranty period.

This warranty shall not apply to any product which has been subjected to misuse; misapplication; neglect (including but not limited to improper maintenance); accident; improper installation; modification (including but not limited to use of unauthorized parts or attachments); adjustment or repair. **THE FOREGOING IS IN LIEU OF ALL OTHER WARRANTIES, WHETHER EXPRESS OR IMPLIED (INCLUDING THOSE OF MERCHANTABILITY AND FITNESS OF ANY PRODUCT FOR A PARTICULAR PURPOSE), AND OF ANY OTHER OBLIGATION OF LIABILITY ON THE PART OF THE COMPANY.**

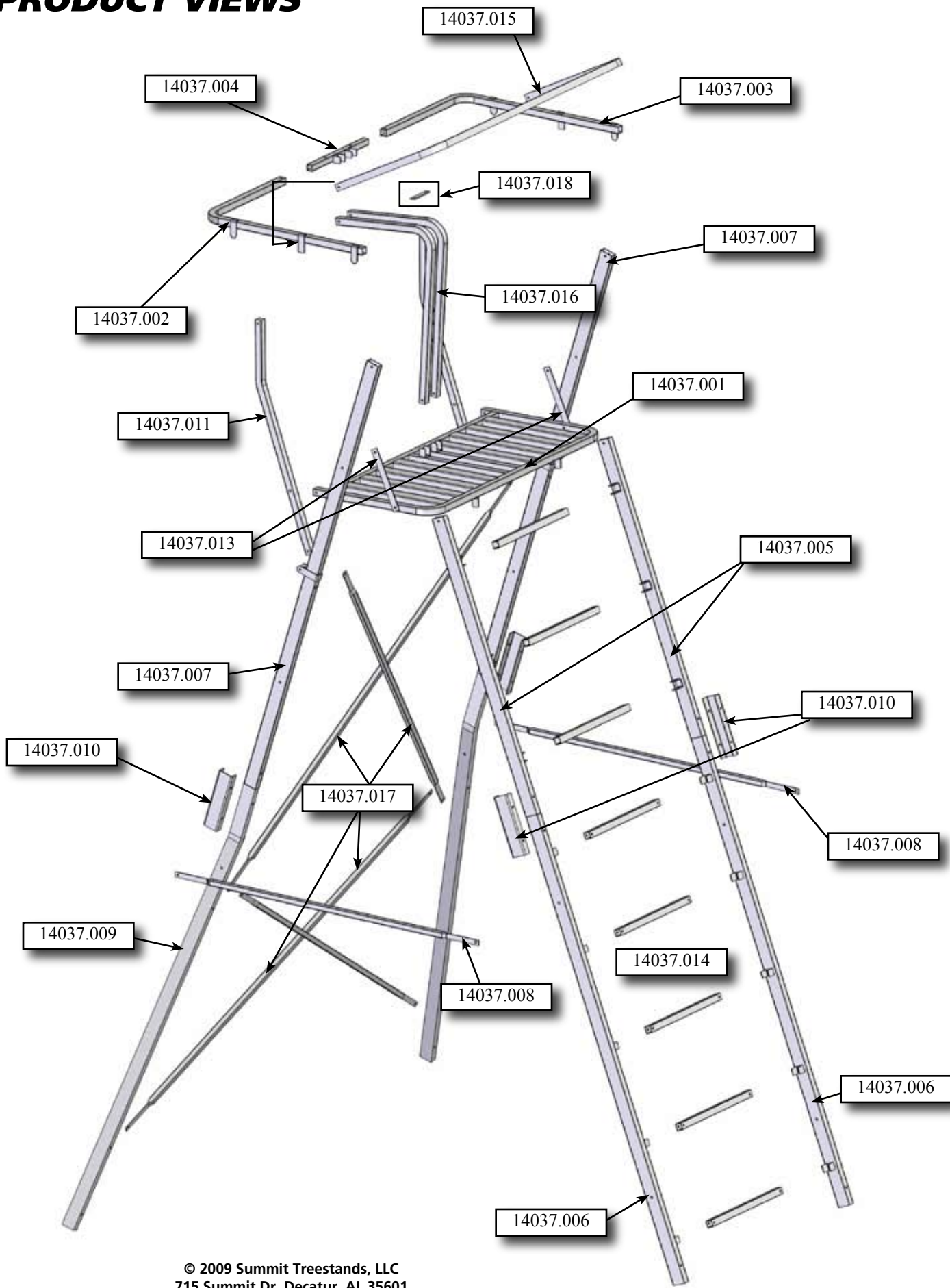
(B) Limitation of Liability

It is expressly understood that Summit's liability for its products, whether due to breach of warranty, negligence, strict liability, or otherwise, is limited to the repair of the product, as stated above, and Summit will not be liable for any other injury, loss, damage, or expense, whether direct or consequential, including but not limited to loss of use, income, profit, or damage to material, arising in connection with the sale, installation, use of, inability to use, or the repair or replacement of Summit's products.

Summit reserves the right to make alterations or modifications in its products at any time, which in its opinion, may improve the performance and efficiency of the product. It shall not be obligated to make such alterations or modifications to products already in service.

Please take the time to fill out the warranty card online at <http://www.summitstands.com/warranty> or fill out and mail in the enclosed warranty card.

8 PRODUCT VIEWS



www.summitstands.com

© 2009 Summit Treestands, LLC
715 Summit Dr. Decatur, AL 35601

