

INSTRUCTIONS



SUMMIT
EST. 1981
TREESTANDS

**2009 Double Barrel
Ladder Treestand PN 82049**



WARNING

You must fully read, understand and follow these warnings and instructions (written and video)! Failure to follow these instructions may cause serious injury or death!!

- **WHEN HUNTING FROM A TREESTAND FALLS CAUSING INJURY OR DEATH CAN OCCUR ANY TIME AFTER LEAVING THE GROUND!** FOR THOSE REASONS ALWAYS WEAR A FALL ARREST SYSTEM (FAS) COMPRISING A FULL BODY HARNESS AT ALL TIMES AFTER LEAVING THE GROUND. YOU MUST STAY CONNECTED AT ALL TIMES AFTER LEAVING THE GROUND WHILE USING ANY ELEVATED HUNTING PLATFORM. SINGLE SAFETY BELTS AND CHEST HARNESSES ARE NO LONGER ALLOWED AND SHOULD NEVER BE USED. IF YOU ARE NOT WEARING A FULL BODY HARNESS THAT IS PROTECTING YOU FROM A FALL, DO NOT LEAVE THE GROUND!
- READ AND UNDERSTAND ALL OF THE MANUFACTURER'S WARNINGS AND INSTRUCTIONS AND USE ALL SAFETY DEVICES PROVIDED. CONTACT SUMMIT TREESTANDS FOR ANY QUESTIONS. FAILURE TO DO SO COULD RESULT IN INJURY OR DEATH!
- A SIGNAL DEVICE SUCH A MOBILE PHONE, RADIO, WHISTLE, SIGNAL FLARE OR PERSONAL LOCATOR DEVICE (PLD) MUST BE ON YOUR PERSON AND READILY AVAILABLE AT ALL TIMES! ALWAYS INFORM SOMEONE OF YOUR HUNTING LOCATION, WHERE THE TREESTAND WILL BE LOCATED AND THE EXPECTED DURATION OF THE HUNT!
- DO NOT USE ANY TREESTAND UNLESS YOU ARE IN GOOD PHYSICAL SHAPE AND HAVE NO PHYSICAL LIMITATIONS OR MEDICAL CONDITIONS WHICH MAY PREVENT YOU FROM SAFELY USING THIS PRODUCT. ALWAYS CONSULT A PHYSICIAN IF YOU HAVE ANY QUESTIONS ABOUT YOUR PHYSICAL ABILITY TO USE THIS PRODUCT.
- NEVER USE A TREESTAND WHILE TAKING DRUGS, ALCOHOL OR CERTAIN PRESCRIPTION DRUGS! ALWAYS CONSULT A PHYSICIAN IF YOU HAVE ANY QUESTION ABOUT TAKING SPECIFIC MEDICATIONS AND USING THIS PRODUCT!
- NEVER USE A TREESTAND DURING INCLEMENT WEATHER SUCH AS RAIN, LIGHTNING, WINDSTORMS OR ICY CONDITIONS! END YOUR HUNT AND RETURN TO THE GROUND IF ANY OF THESE INCLEMENT CONDITIONS ARISE.
- NEVER USE A TREESTAND WHEN FEELING ILL, NAUSEOUS, DROWSY OR DIZZY!
- BE WELL RESTED AND NEVER HURRY. HURRYING CAUSES ACCIDENTS!
- CHECK EVERY LADDER SECTION CONNECTION EVERY TIME YOU USE THE STAND. IF ANY LADDER SECTIONS ARE SEPARATING - DO NOT USE THE STAND!
- CHECK THE GROUND UNDER THE LADDER STAND TO MAKE SURE IT IS FIRM AND LEVEL. SLOPING GROUND OR AN UNEVEN SURFACE (ONE LADDER SECTION ON A ROCK FOR EXAMPLE) CAN CAUSE YOUR STAND TO TILT OR SHIFT AS YOU CLIMB.
- ALWAYS MAINTAIN THREE POINTS OF CONTACT WHEN YOU CLIMB THE LADDER SECTION OF THIS STAND!
- NEVER JUMP OR BOUNCE ON A TREESTAND TO SECURE IT TO THE TREE!
- PULL UP A BOW, BACKPACK, FIREARM OR OTHER EQUIPMENT ONLY AFTER BEING SECURE IN THE TREESTAND. FIREARMS MUST BE PULLED UP UNLOADED, CHAMBER OPEN AND MUZZLE DOWN!
- NEVER MODIFY YOUR STAND IN ANY WAY BY MAKING REPAIRS, REPLACING PARTS, OR ALTERING ADDING OR ATTACHING ANYTHING TO IT EXCEPT IF EXPLICITLY AUTHORIZED IN WRITING BY THE MANUFACTURER!
- PRACTICE INSTALLING, ADJUSTING AND USING YOUR TREESTAND AT GROUND LEVEL PRIOR TO USING IT AT ELEVATED POSITIONS!
- INSTRUCTIONS (WRITTEN AND VIDEO) SHOULD BE KEPT IN A SAFE PLACE AND REVIEWED AT LEAST ANNUALLY. IT IS THE RESPONSIBILITY OF THE TREESTAND OWNER TO FURNISH THE COMPLETE INSTRUCTIONS TO ANY PERSON WHO BORROWS OR PURCHASES THE TREESTAND! THIS SUMMIT TREESTAND IS DESIGNED TO BE USED AS A COMPLETE SYSTEM - NEVER LOAN OR SELL ONLY A PORTION OF THIS TREESTAND SYSTEM.
- BEFORE EACH USE OF YOUR SUMMIT TREESTAND, ALWAYS INSPECT THE TREESTAND AND HARNESS FOR ANY DAMAGE, CRACKS, TEARS, CABLE WEAR OR ABRASION THAT MAY HAVE OCCURRED IN TRANSPORTING / STORING YOUR TREESTAND. DO NOT USE IF ANY DAMAGE IS FOUND! CONTACT CUSTOMER SERVICE FOR THE APPROPRIATE REPAIR / REPLACEMENT PROCEDURE!
- DO NOT LEAVE YOUR TREESTAND OUTDOORS WHEN IT IS NOT BEING USED! ANY STAND TUBING THAT IS ALLOWED TO FILL WITH RAINWATER AND FREEZE WILL RUPTURE OR BURST - DO NOT USE YOUR TREESTAND IF THIS OCCURS!

You **MUST** also view the enclosed DVD **BEFORE** using your new treestand!!

WEIGHT LIMITS

SINGLE USER

350 LBS. X 1 TOTAL**

DOUBLE OCCUPANCY (TWO USERS)

250 LBS. MAX. INDIVIDUAL**

500 LBS MAX. COMBINED TOTAL**

DO NOT EXCEED THIS LIMIT!

*(** Includes all gear)*

**Stand minimum and maximum
tree size: 8-20" diameter**

1 INDEX

GENERAL WARNINGS AND PRECAUTIONS, STAND WEIGHT LIMITS	PG 1
SECTION 1 - INDEX	PG 2
SECTION 2 - PARTS LIST	PG 2
SECTION 3 - TOOLS REQUIRED	PG 3
SECTION 4 - ASSEMBLY	PG 3-9
SECTION 5 - SETUP AND USE	PG 9-11
SECTION 6 - MAINTENANCE AND CARE	PG 11
SECTION 7 - HARNESS SUSPENSION INFORMATION	PG 11
SECTION 8 - WARRANTY INFORMATION	PG 12
SECTION 9 - PRODUCT VIEWS	PG 12

2 PARTS LIST

Please call 256-353-0634 or visit <http://www.summitstands.com/contactus/> if you have any questions, if you need replacement parts, if you have any missing parts or if the included DVD does not play.

BOX CONTENTS

PN	DESCRIPTION	QTY
82049.001	LADDER SECTION	3
82049.002	COUPLER PLATES	4
82049.003	RIGHT PLATFORM ASSEMBLY	1
82049.004	LEFT PLATFORM ASSEMBLY	1
82049.005	PLATFORM U-BRACKET	2
82049.006	ARMREST BAR	2
82049.007	BACKREST BAR	1
82049.008	LONG TENSION BARS	2
82049.009	PLATFORM TO ARMREST BAR	2
82049.010	FOOT STOP BAR	1
82049.011	SHORT TENSION BARS	2
82049.012	CENTER SEAT POST	1
82049.013	SEAT BASE	1
82049.014	SIDE SEAT POST	2
82049.015	GUN REST BAR	1
82049.016	FOAM SEAT	1
82049.017	94" CAMO ARM PAD	1
82049.018	43" CAMO GUN REST PAD	1
82049.019	PLATFORM TO LADDER BAR	2
82049.020	SUMMIT 4 POINT HARNESS WITH SAFETY STRAP	2

82049.021 - HARDWARE PACKET A

PN	DESCRIPTION	QTY
10611	1 1/2" BOLT, 5/16x18	8
10615	1 3/4" BOLT, 5/16x18	13
10608	2 1/2" BOLT, 5/16x18	7
10610	2 3/4" BOLT, 5/16x18	12
10617	LOCK NUT, 5/16x1"	40

ACCESSORY PACKET CONTENTS

PN	DESCRIPTION	QTY
82049.021	HARDWARE PACKET A (LADDER)	1
82049.022	HARDWARE PACKET B (GUNREST)	1
82049.023	LONG LADDER RATCHETS	2
82049.024	SHORT LADDER RATCHETS	1
82049.025	LONG LADDER TIE DOWN STRAPS	2
82049.026	SHORT LADDER TIE DOWN STRAPS	1
82049.027	PLASTIC END CAPS	4
82049.028	IN-LINE CABLE TIES	12
82049.029	INSTRUCTIONAL DVD	1
82049.030	WRITTEN INSTRUCTIONS	1

82049.022 - HARDWARE PACKET B

PN	DESCRIPTION	QTY
10632	2 1/2" CARRIAGE BOLT, 1/4x20	2
10601	1 3/4" BOLT, 1/4x20	2
10612	LOCK NUT, 1/4x2"	2
10633	NEOPRENE WASHER	2
10544	GUN REST ADJUSTMENT BRACKET	4
10660	KNOB	2
82049.031	GUN REST MOUNTING BRACKET	2



3 TOOLS REQUIRED

Tools

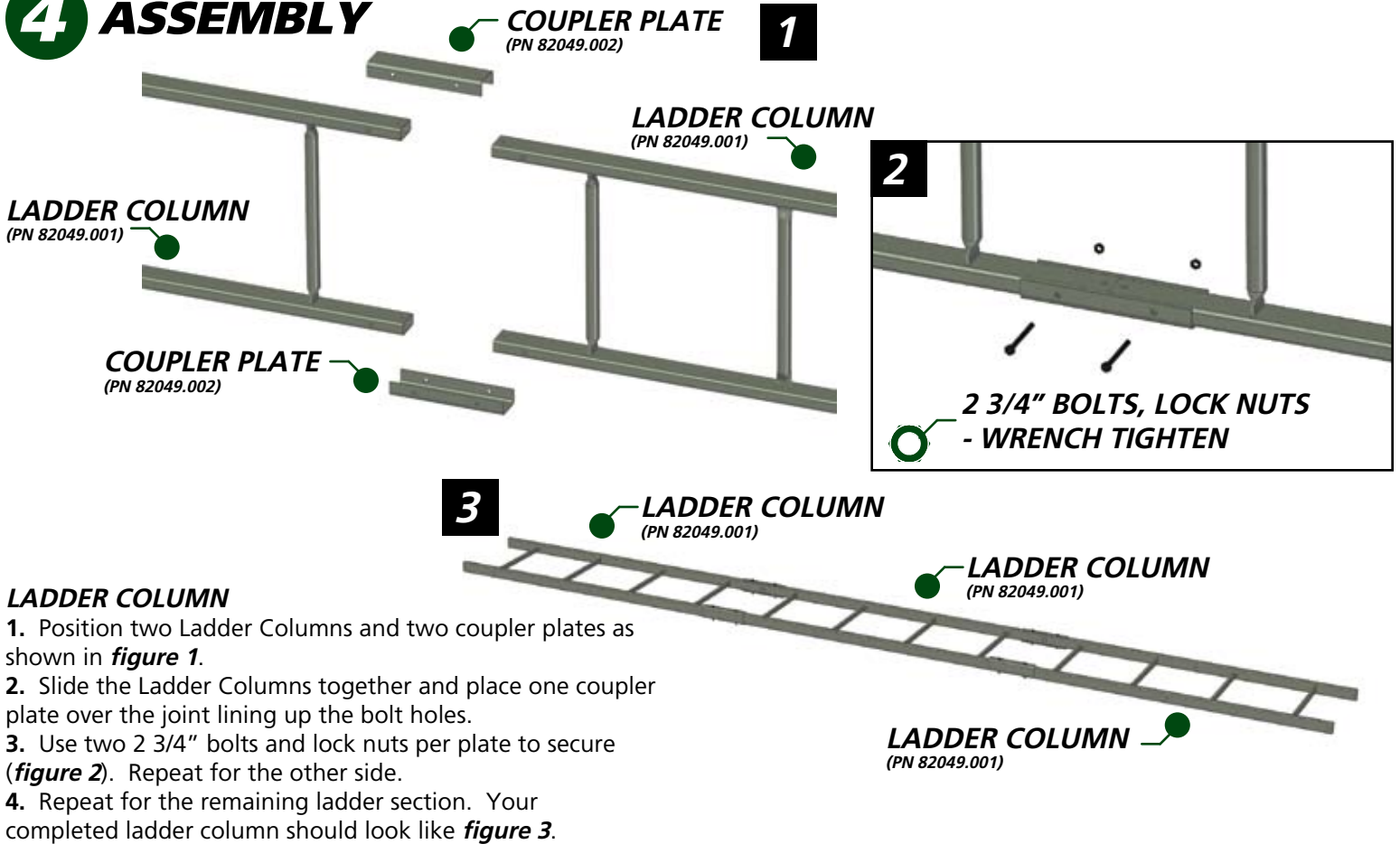
- 7/16" Wrenches and / or Socket / Ratchet
- 1/2" Wrenches and / or Socket / Ratchet
- Knife or Snips

- Assembly can be made easier by the use of a powered ratchet or drill with socket adapter (take care not to overtighten when using power tools to assemble)
 - It is recommended that all bolts be sorted by size prior to assembly.

Use

- Gun Rest Attachment Bolts / Nuts
- Main Ladder Bolts / Nuts
- Cable Tie Trimming

4 ASSEMBLY

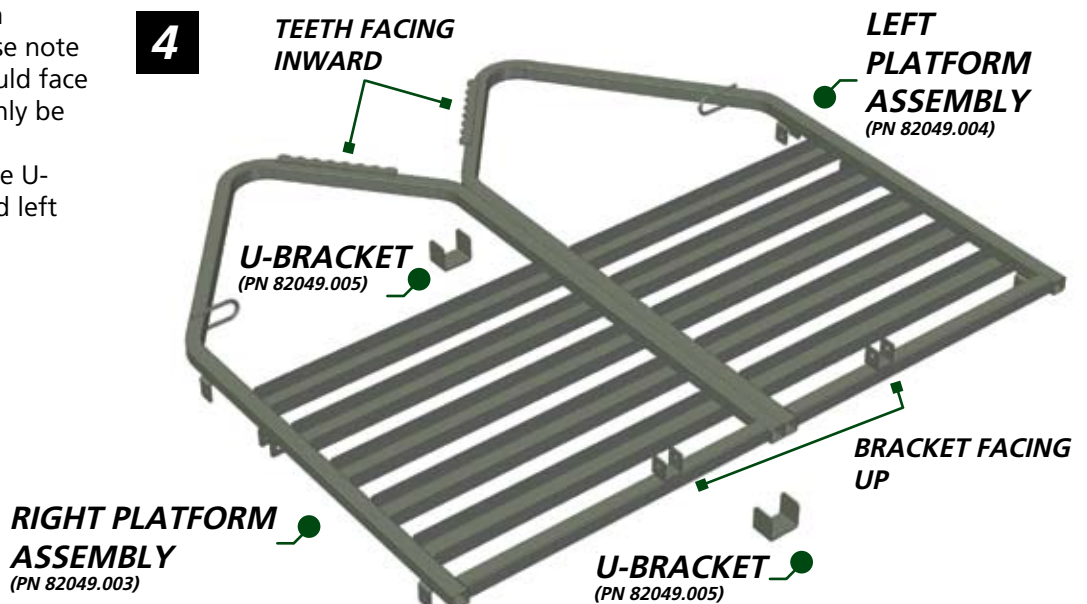


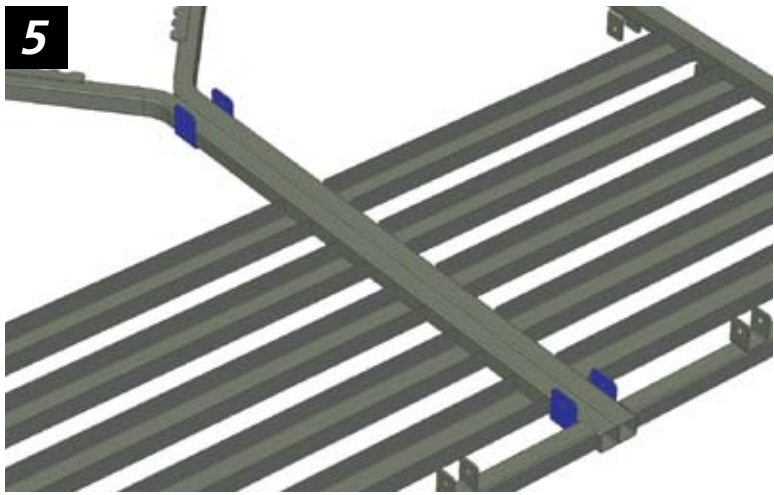
LADDER COLUMN

1. Position two Ladder Columns and two coupler plates as shown in **figure 1**.
2. Slide the Ladder Columns together and place one coupler plate over the joint lining up the bolt holes.
3. Use two 2 3/4" bolts and lock nuts per plate to secure (**figure 2**). Repeat for the other side.
4. Repeat for the remaining ladder section. Your completed ladder column should look like **figure 3**.

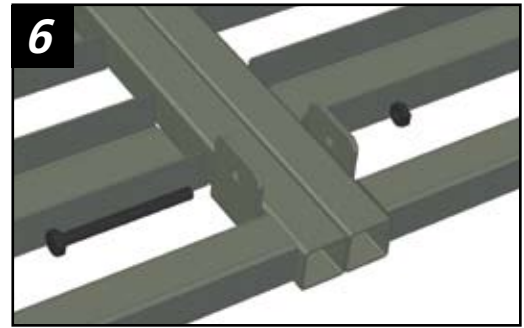
PLATFORM

1. Position the Left and Right Platform Assemblies as shown in **figure 4**. Please note the correct orientation. The teeth should face toward each other and there should only be two welded brackets facing up.
2. Align the U-Brackets as shown. The U-Brackets will slide up over the right and left side platform tubing.





**2 3/4" BOLT, LOCK NUT
- WRENCH TIGHTEN**

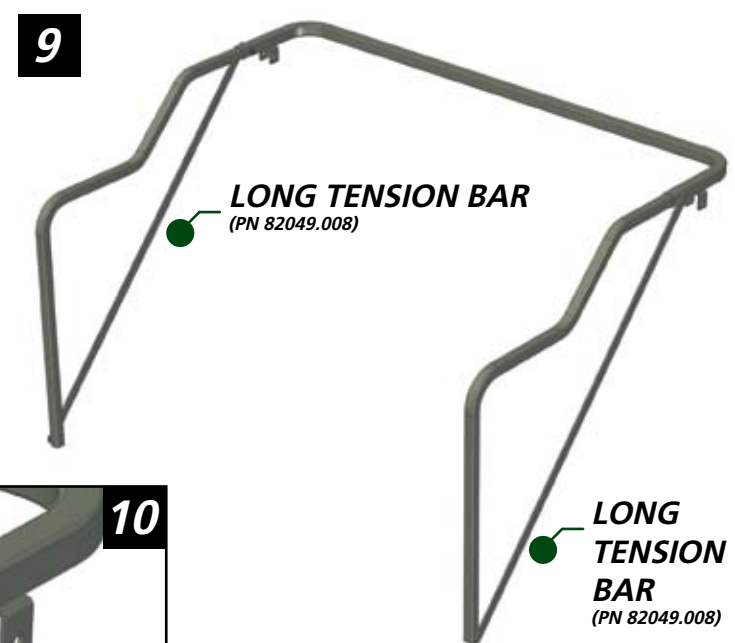
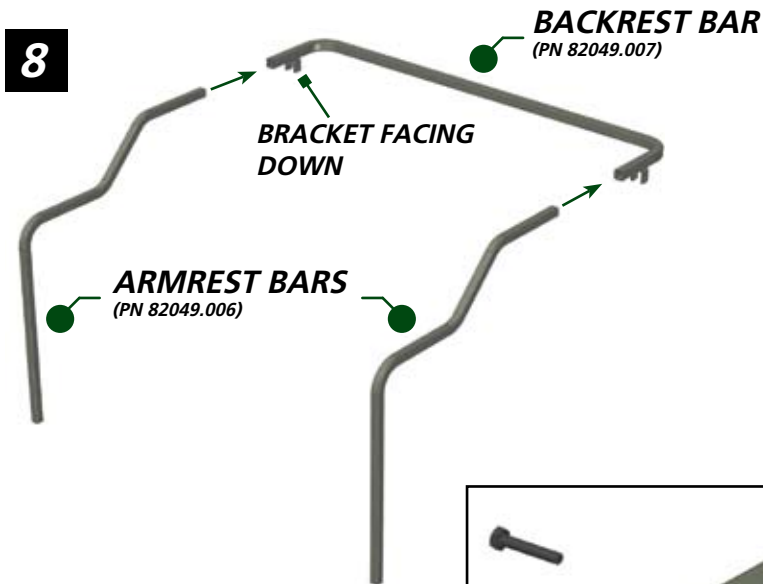


PLATFORM (continued)

3. Slide the U-Brackets (shown in blue) over the platform tubing as shown in **figure 5**. Please note that both platform sections should be as even as possible before bolting.
4. Secure each U-Bracket with one 2 3/4" bolt and lock nut (**figure 6**).
5. Your finished platform should resemble **figure 7**.

ARMREST

1. Position the two Armrest Bars and the Backrest Bar as shown in **figure 8**.
2. Slide each Armrest Bar into the Backrest Bar and line up the bolt holes.
3. Position the two long tension bars as shown in **figure 9**. Line up the upper bolt hole and secure with a 1 1/2" bolt and lock nut per side as shown in **figure 10**.



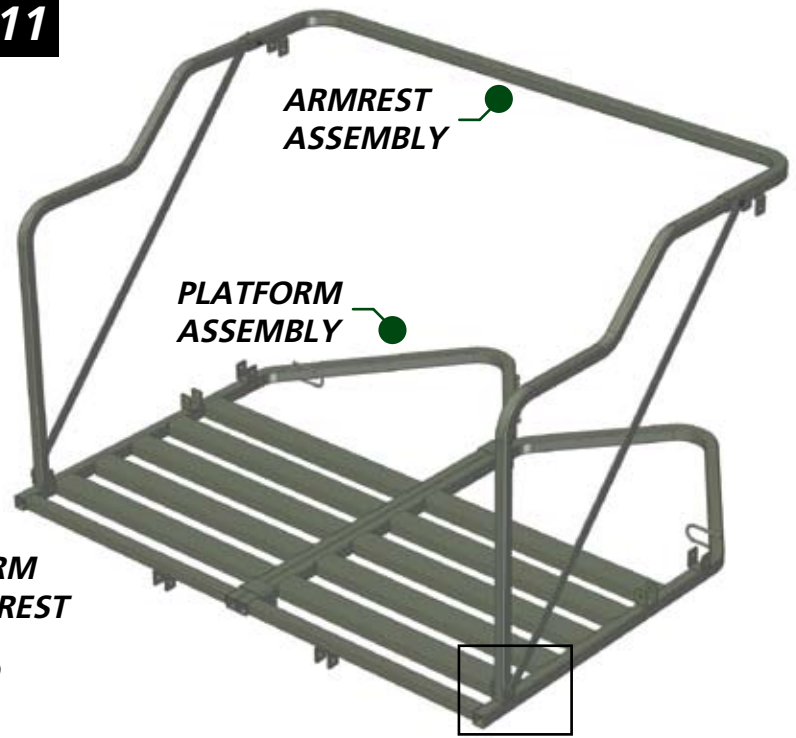
**1 1/2" BOLT, LOCK NUT
- WRENCH TIGHTEN**

ARMREST (continued)

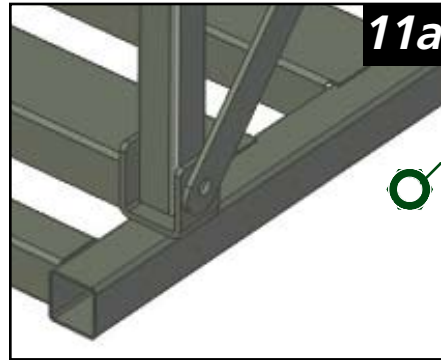
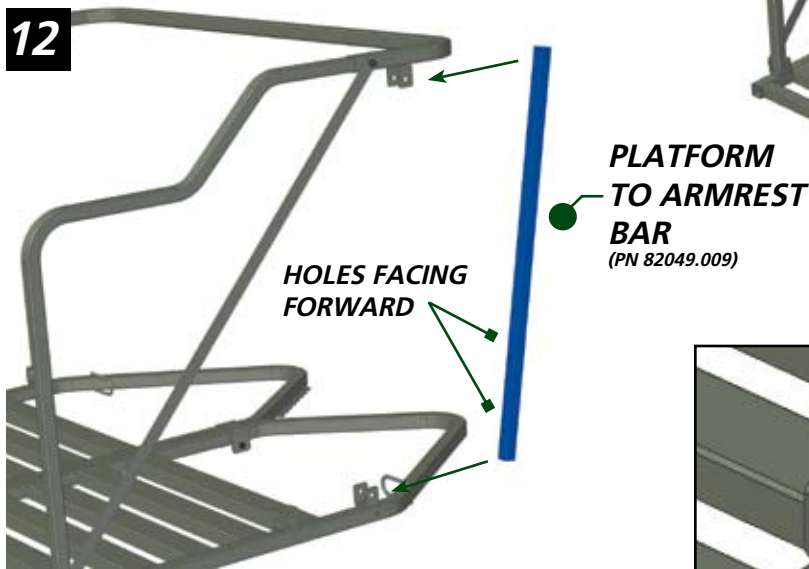
4. Flip the Platform back over so that the six welded on brackets are now facing up. Position the current Armrest assembly as shown in **figure 11**. The Long Tension Bars should be positioned outside of the welded bracket (**figure 11a**). Secure each lower joint with one 1 3/4" bolt and lock nut.

5. Position the Platform to Armrest Bar (in blue) as shown below in **figure 12**. Note the correct orientation. The bar should have two pre-punched holes close together toward the bottom. Slide the bar into place and secure with two 1 3/4" bolts and lock nuts (**figure 13**). Repeat for the other side.

11

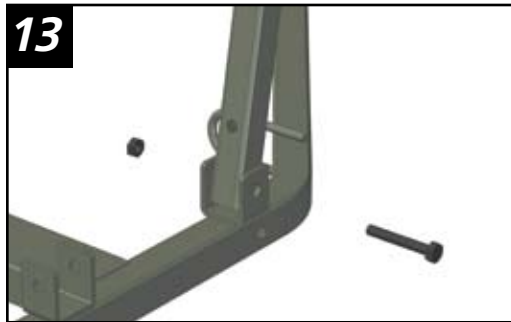


12



1 3/4" BOLT, LOCK NUT - WRENCH TIGHTEN

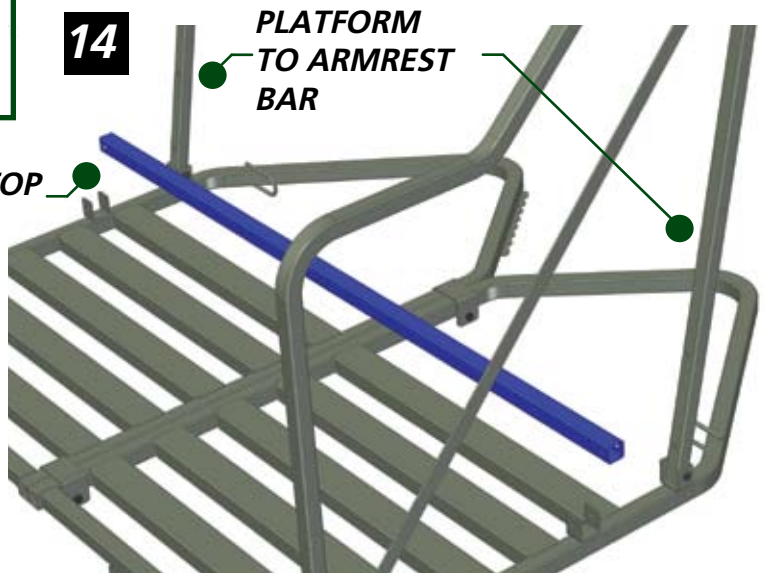
13



SEAT SUPPORT

1. Position the Foot Stop Bar (shown in blue) in front of the two Platform to Armrest Bars as shown (**figure 14**). Line up the holes and secure with one 2 1/2" bolt and lock nut per side as shown in **figure 15**.

14



2 1/2" BOLT, LOCK NUT - WRENCH TIGHTEN

15



SEAT SUPPORT (continued)

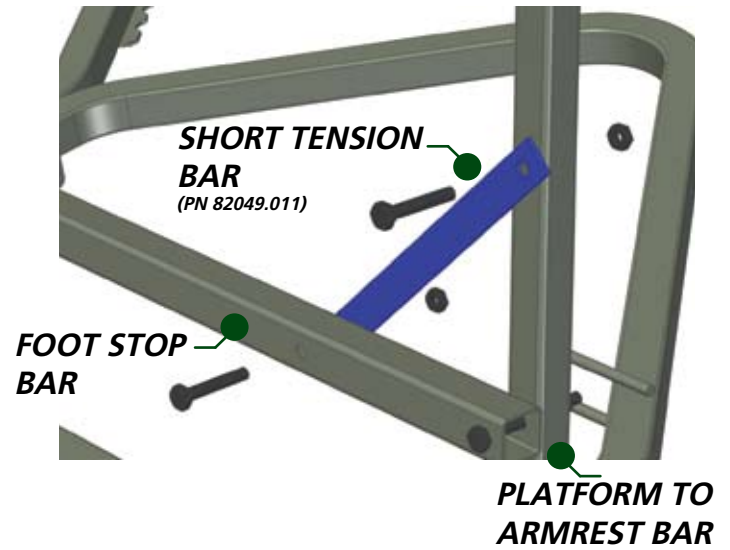
2. Position a Short Tension Bar as shown in **figure 16**. This bar should run from the back of the Foot Stop Bar to the front of the Platform to Armrest Bar. Secure with two 1 1/2" bolts and lock nuts. Repeat for other side.

3. Line up the Center Seat Post next (shown in blue). This post slides over the platform tubing and is bolted from underneath. Please note the correct position in **figure 17 and 18**. The angled side of the bar should be facing the back of the stand and should be bolted to the back of the Foot Stop Bar.

4. Secure the center hole first using a 2 1/2" bolt and lock nut (**figure 19**). Bolt the U-Brackets next using one 2 3/4" bolt and lock nut per bracket (**figure 20**).

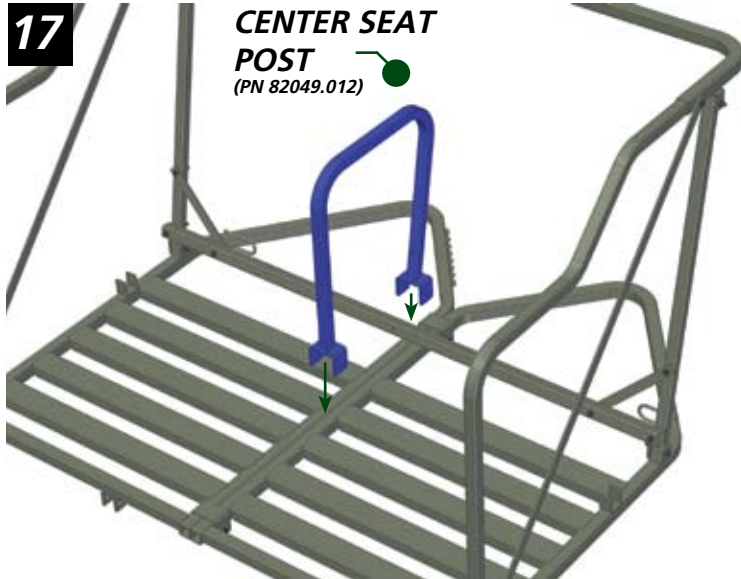
16

**1 1/2" BOLT, LOCK NUT
- WRENCH TIGHTEN**



17

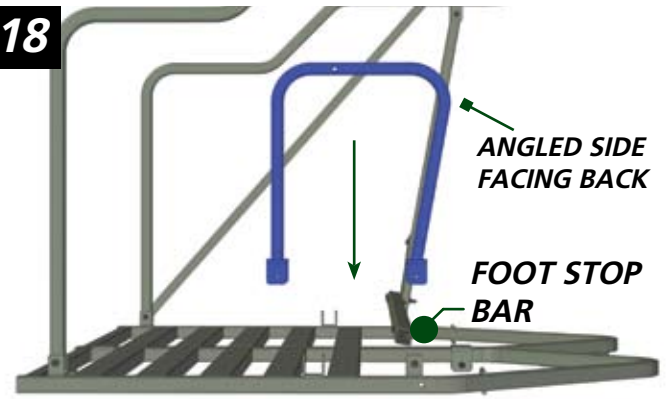
**CENTER SEAT POST
(PN 82049.012)**



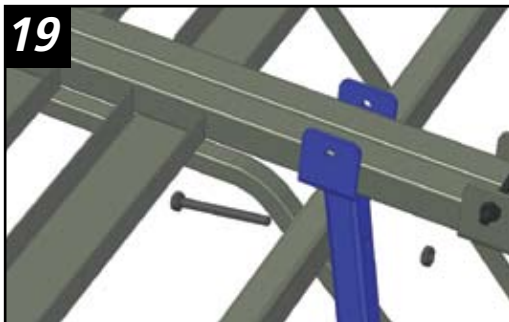
18

**ANGLED SIDE
FACING BACK**

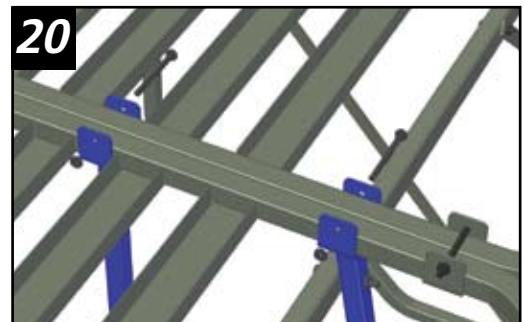
**FOOT STOP
BAR**



**2 1/2" BOLT, LOCK NUT
- WRENCH TIGHTEN**



**2 3/4" BOLT, LOCK NUT
- WRENCH TIGHTEN**



21

**SEAT BASE
(PN 82049.013)**



**1 1/2" BOLT, LOCK NUT
- WRENCH TIGHTEN**



**SEAT SUPPORT
(continued)**

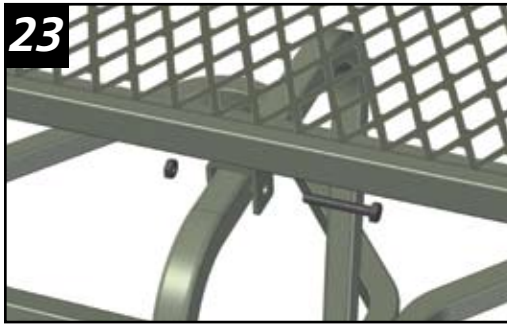
5. Position the seat base next. The expanded metal side should face up as shown in **figure 21**.

6. Secure the side bolt holes with 1 1/2" bolts and lock nuts (**figure 22**). Secure the front bolt hole with a 1 3/4" bolt and lock nut (**figure 23**).

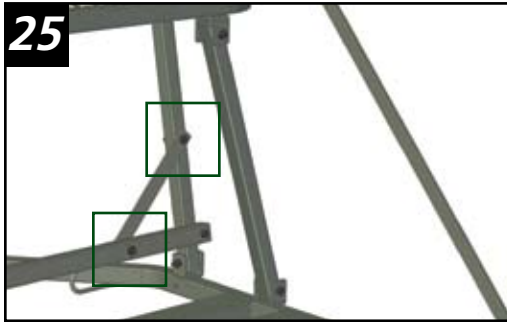
7. Align the Side Seat Post with the hole in the Seat Base and the Platform. The Post will angle inward slightly as seen in **figure 24**. Secure the top and bottom holes with 1 3/4" bolts and lock nuts (**figure 25**). Repeat for other side.

8. Insert the included Plastic End Caps into the open ends of the platform as shown in **figure 26**.

**1 3/4" BOLT, LOCK NUT
- WRENCH TIGHTEN**



**1 3/4" BOLT, LOCK NUT
- WRENCH TIGHTEN**



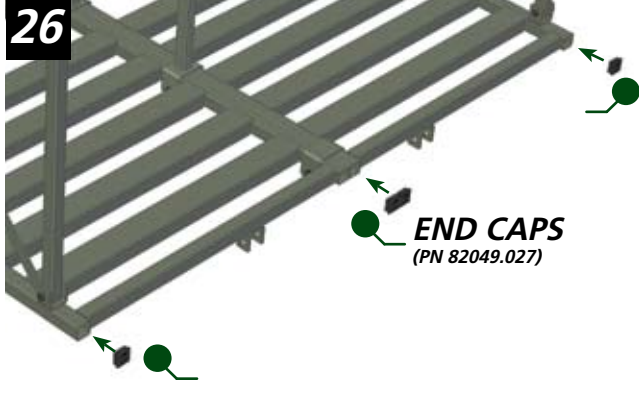
24

**SIDE SEAT POST
(PN 82049.014)**



26

**END CAPS
(PN 82049.027)**



GUN REST

(Please use HARDWARE PACKET B)

1. Slide one of the Gun Rest Brackets over the Arm Rest as shown in **figure 27**. The long side of the bracket should be on the outside of the tube. Secure the bracket with a 1 3/4" bolt and lock nut. This bolt **MUST** run from the outside in as shown in **figure 27**. Repeat for the other bracket.

2. From the inside, position the 2 1/2" carriage bolt (shown in blue) inside the bracket. Over this bolt, slide one Gun Rest Adjustment Bracket, one Neoprene Washer (red), one more Gun Rest Adjustment Bracket and then the Gun Rest Bar (bright green). See **figure 28**.

3. Secure the bar with the supplied knob.

4. At the other bracket location, combine one Adjustment Bracket, a Neoprene washer and the last Adjustment Bracket. Slide this assembly between the Gun Rest tube and the Mounting Bracket lining up the bolt hole. Insert the carriage bolt through the entire assembly from the inside out. Secure with the knob.

**GUN REST BAR
(PN 82049.015)**

**ADJUSTMENT
BRACKET
(PN 10544)**

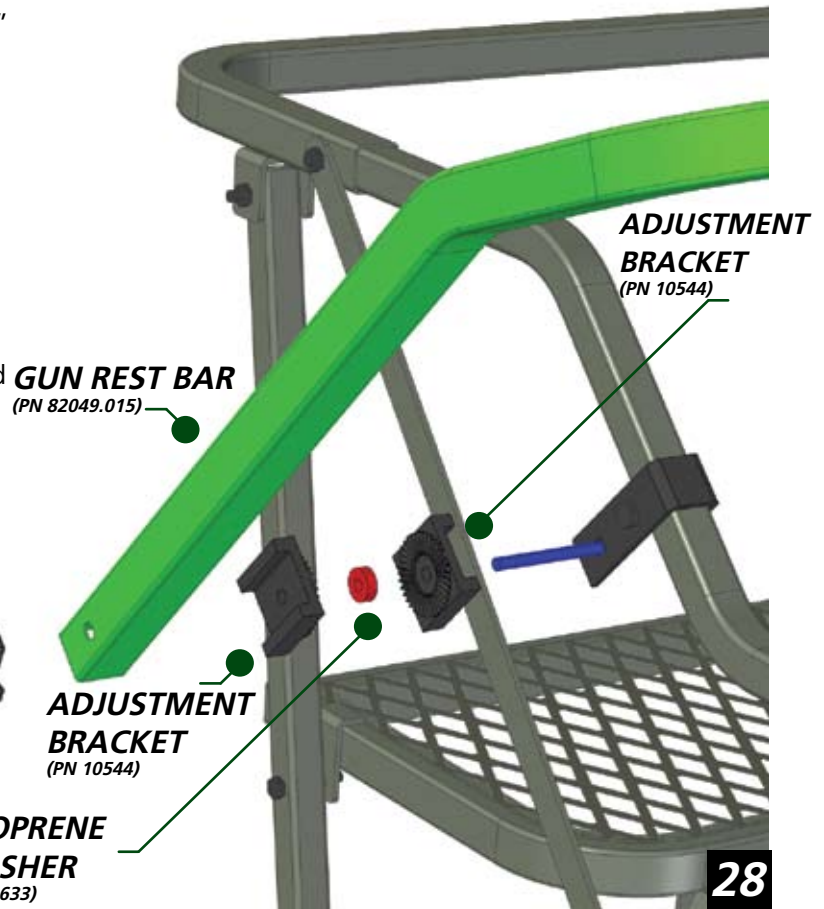
**1 3/4" BOLT, LOCK NUT
- WRENCH TIGHTEN**

**KNOB
(PN 10660)**



**ADJUSTMENT
BRACKET
(PN 10544)**

**NEOPRENE
WASHER
(PN 10633)**

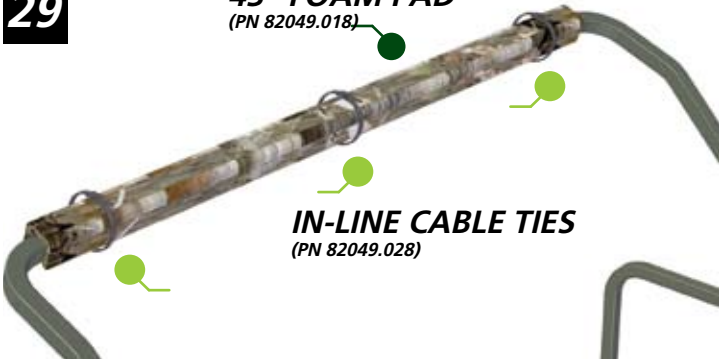


28

29

43" FOAM PAD
(PN 82049.018)

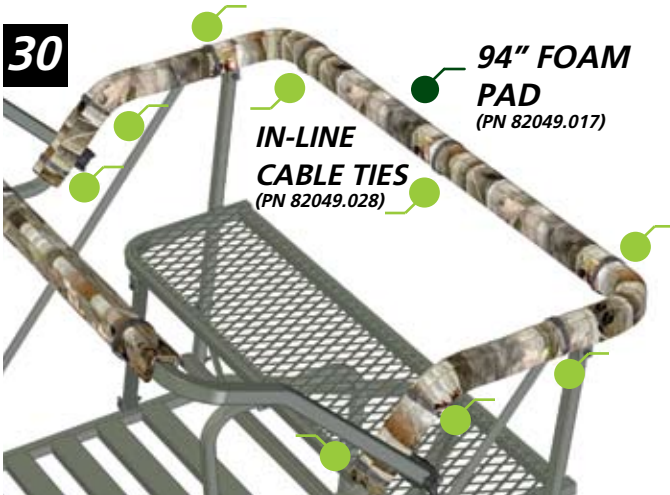
IN-LINE CABLE TIES
(PN 82049.028)



30

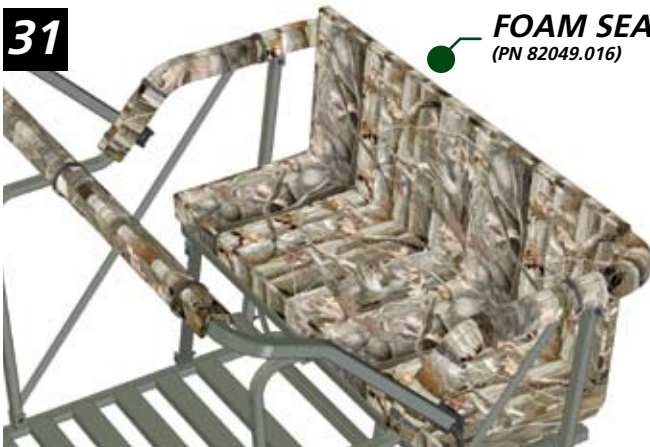
94" FOAM PAD
(PN 82049.017)

IN-LINE CABLE TIES
(PN 82049.028)



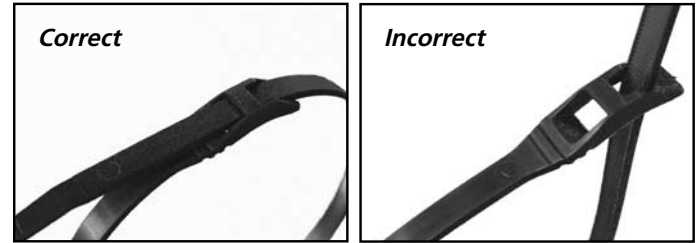
31

FOAM SEAT
(PN 82049.016)



PADS AND SEAT

1. Position the 43" pad on the Gun Rest Bar and secure with 3 In-Line Cable Ties (**figure 29**). Please note the Correct and Incorrect ways of using the ties. Use a sharp knife or snips to trim the excess. Rotate the clasp under the pad when they have been trimmed.



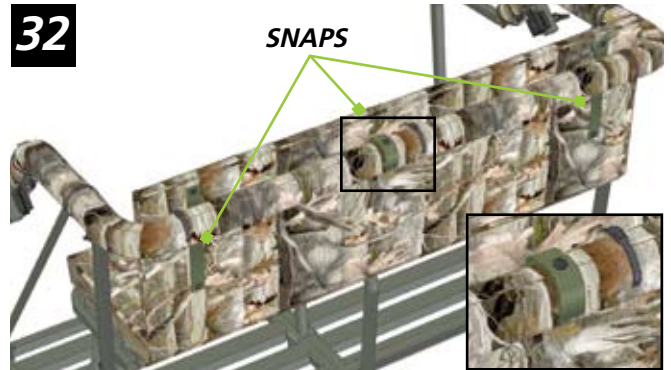
2. Position the long 94" pad as shown in **figure 30**. The pad should wrap **OVER** the two gun rest brackets. Secure with 9 In-Line Cable Ties at the locations shown.

3. Position the Foam Seat inside the frame as shown in **figure 31**. The thicker portion of the seat is the base.

4. Secure the seat by wrapping the straps over the bar / pad at the three locations shown in **figure 32**. Snap each strap to secure the seat back.

32

SNAPS



33

LADDER COLUMN

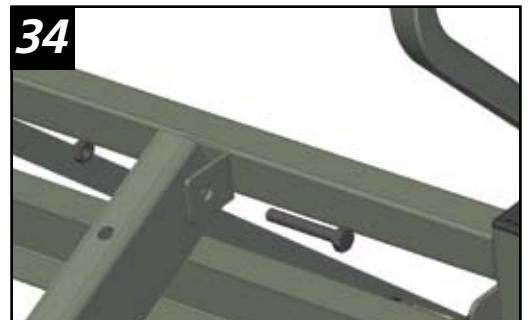


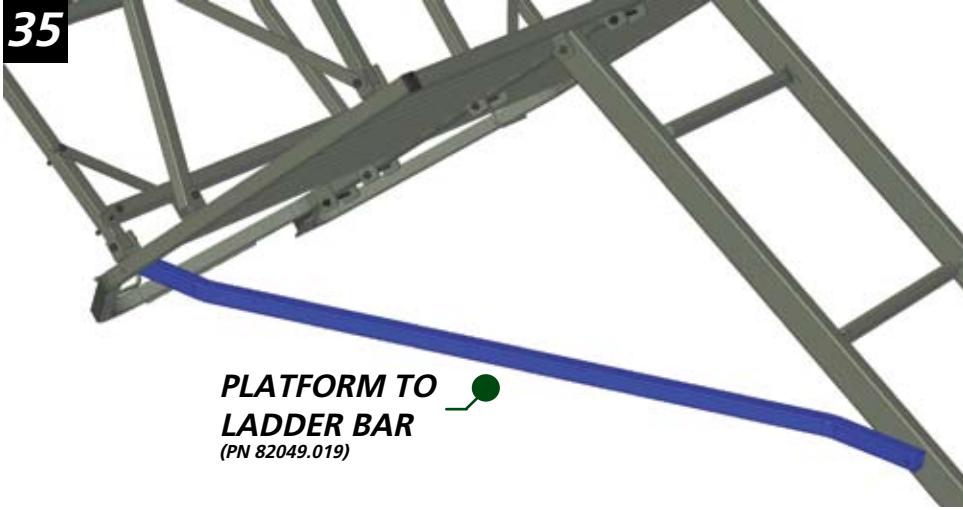
PLATFORM TO LADDER COLUMN

1. Position the completed Ladder Column inside the brackets on the platform as shown in **figure 33**.
2. Secure with two 1 3/4" bolts and lock nuts (**figure 34**).
3. Position one of the Platform to Ladder Bars as shown in **figure 35**. Secure the upper bolt at the platform using one 2 1/2" bolt and lock nut.
4. Pivot the ladder column out and line up the lower bolt holes. Secure with a 2 1/2" bolt and lock nut (**figure 36**). Repeat for the other side.

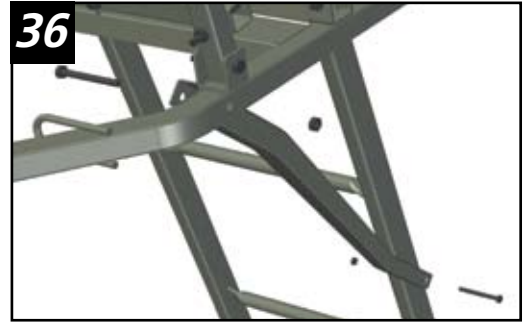
1 3/4" BOLT, LOCK NUT
- WRENCH TIGHTEN

34





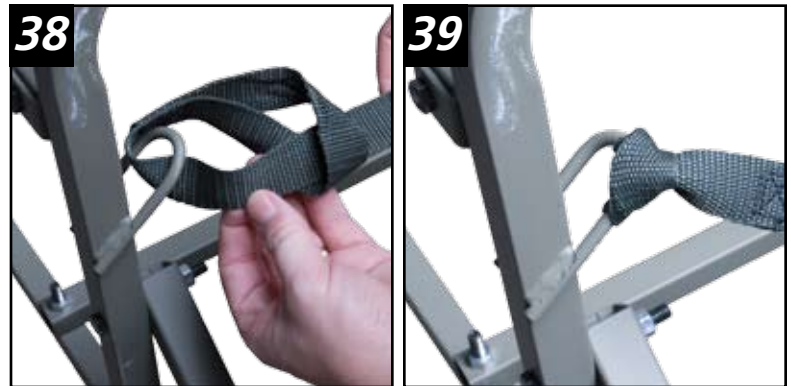
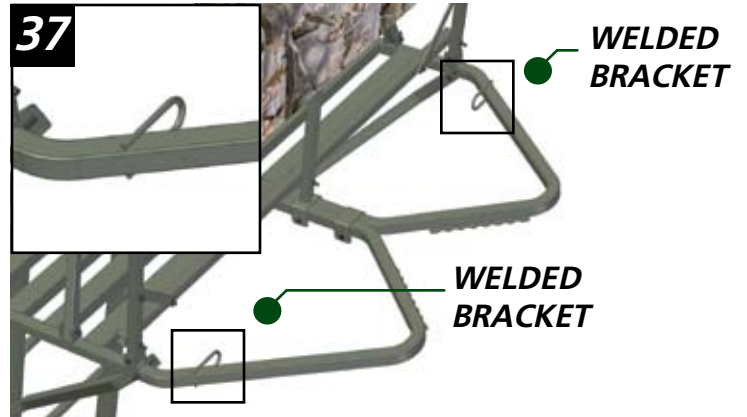
2 1/2" BOLT, LOCK NUT
- WRENCH TIGHTEN



5 SETUP AND USE

LADDER RATCHET STRAPS

1. Attach the short tie down strap to either welded on bracket shown in **figure 37**. Loop the free end of the strap through the bracket and then through the sewn loop (see **figure 38**). Pull to create a cinch knot (**figure 39**). This is the platform tie down strap.
2. Attach the short ratchet portion of the platform strap to the opposite welded bracket (**figure 40**) and then push the ratchet through the loop (**figure 41**) to create a cinch knot as shown in **figure 42**.
3. Attach the two long tie down straps to the same welded brackets, one on each bracket. Use the same procedure from **Step 1** to create a cinch knot for each strap. These are the two main ladder tie down straps.
4. Attach the ratchet portion of the main strap to the **bottom ladder column** between the second and third rungs. Use the same procedure to create a cinch knot.



⚠ WARNING
Never Wrap The Ratchet Straps Around The Ladder Rungs! Wrap Them Only Around The Ladder Columns! (see **figure 43**)



Summit products are manufactured under one or more of the following US Patents: 5,937,969; 5,971,104; 5,975,242; 5,979,603; 6,125,966; 6,182,792; 6,397,973; D,417,011; D,420,147; D,575,411

Summit Bucksteps are Patent Pending

SETUP

⚠️ WARNING

It is required that at least three people initially set up the ladder stand. Always use two helpers!

⚠️ WARNING

This ladder **MUST** be held in place while it is ratcheted tight and while the top ratchet is put into place. Do not use until all straps are securely attached.

⚠️ WARNING

Never use this ladder stand on dead, leaning, diseased or loose barked trees. Never use on a utility pole or on trees that have any obstructions that may limit treestand use. Never rely on a tree branch for support.

1. Using helpers, lean the stand up against the tree. It may be helpful to have one person pull on the free ladder straps as two others walk the ladder upright. Make sure that the platform is sitting level to the ground when it is against the tree.

2. **LIGHTLY** bounce on the first rung to seat the ladder column into the ground before use. Have your helpers hold the ladder to stabilize it.

3. With the ladder held in place, take each long strap and bring each back around the tree. Let them cross so they form an X on the back of the tree (*figure 44*).

4. Connect the left strap to the right ratchet buckle and connect the right strap to the left ratchet buckle. Pull the free end through the ratchet strap as shown in *figure 45*. Repeat for both ratchet straps.

5. Do not tighten until both are in place. Alternate between each ratchet until they are both tight. Do not overtighten. *Figure 46* shows the completed main strap setup.

⚠️ WARNING

You **MUST** now put on your safety harness if you have not already done so. **ALWAYS** refer to your harness instructions included with this stand for proper use of your safety harness.

⚠️ WARNING

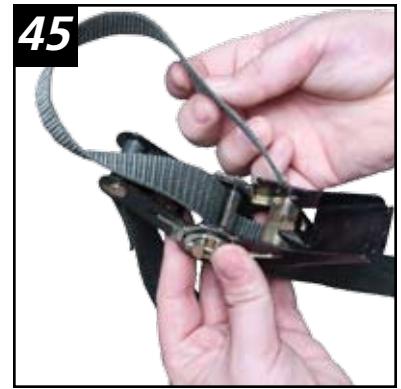
YOU WILL NOT be connected to a safety rope / strap while you climb into or out of this treestand. **USE EXTREME CAUTION** while ascending or descending the ladder. **TAKE YOUR TIME** and do not hurry.

⚠️ WARNING

Always maintain three points of contact when you climb the ladder section of this stand.

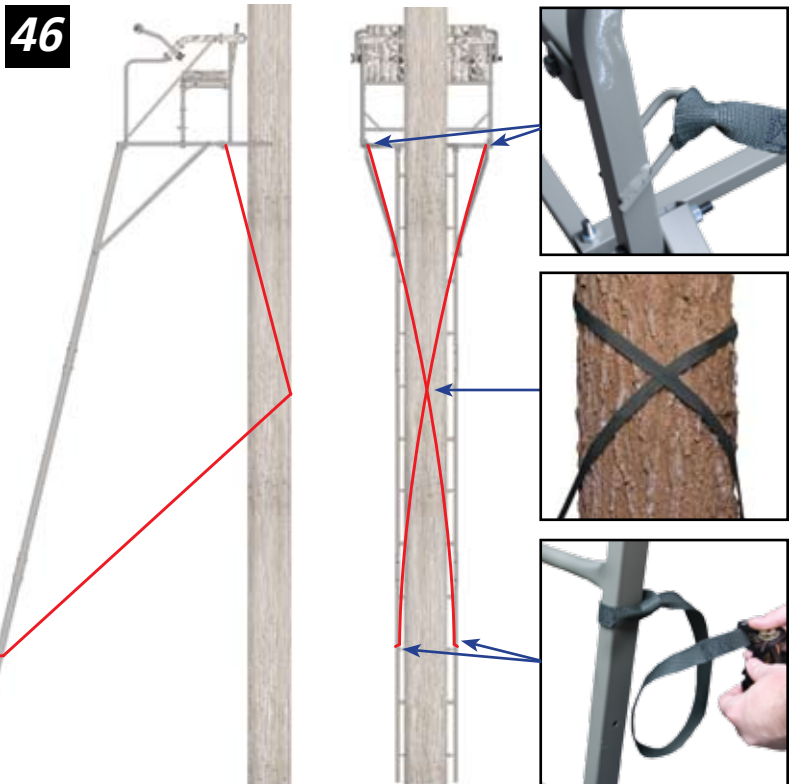
6. Have two of your helpers hold the ladder in place. **Carefully** climb the ladder. Once you are at the top, before stepping onto the platform, **IMMEDIATELY** attach your safety strap and harness to the tree.

7. Secure the Platform Ratchet Strap by running the free end around the tree and then through the ratchet strap. You may have to fold the seat down to reach the strap. See *figure 47*.



⚠️ WARNING

Never jump or bounce on any other part of the treestand in an attempt to force the platform to seat into the tree.



USE

⚠ WARNING

ALWAYS check every ladder section connection every time you use the stand. If any ladder sections are separating - DO NOT USE THE STAND!

⚠ WARNING

If two people will be using the stand it is mandatory that they **EACH** use a harness and **EACH** use a separate safety strap / rope. NEVER attempt to connect two harnesses to one safety strap / rope.

1. Climb up and before stepping onto the platform **IMMEDIATELY** attach your safety strap around the tree above your seating position. **ALWAYS** refer to your harness instructions included with this stand for proper use of your Summit Safety harness and Safety Strap

⚠ WARNING

NEVER disconnect from your safety harness or safety line while you are using this treestand.

2. The Gun Rest can easily be adjusted by loosening the two knobs on each side, moving the rest, and retightening.

⚠ CAUTION

DO NOT use the Gun Rest Bar as a hand hold while climbing into or out of this stand.

NOTICE

Summit recommends the use of the SOP Climbing System Accessory with all ladder and hang-on treestands. For more information please visit our website www.summitstands.com or by calling 256-353-0634.

6 MAINTENANCE AND CARE

The seat on this ladder stand is removable. We recommend it be removed and stored in a dry place when not in use.

The powdercoat finish applied at the factory is very durable and should only need touch ups in areas of heavy wear or accidental impact. The powder coat is applied only to the exterior surfaces of the treestand so it is possible for some surface rust to form inside the stand tubing. This is normal and should not affect the durability or performance of the stand.

Should you damage any part of your Summit Treestand, contact your nearest authorized Summit dealer or the factory to obtain the proper corrective action procedure and/or replacement parts for the treestand.

⚠ CAUTION

Look for nicks, gouges, cuts, cracks, bends, corrosion or similar damage that can be the result of improper use or accidental damage. For instance, this could occur if someone else used the treestand without knowledge of its proper use, or if the treestand were dropped, hit by a motor vehicle or subject to corrosive conditions, etc.

Summit Treestands have the highest structural integrity by design, material selection and manufacturing techniques, but as its owner, only your continued care will assure trouble free performance. When the above-mentioned guidelines are followed, your Summit Treestand will provide years of successful hunting.

7 HARNESS SUSPENSION

It is necessary and very important that someone knows your hunting location and time of return. It is also very important that you carry (on your person) emergency communication devices such as a cell phone, two-way radio, whistle, signal flare or preferably a PLD (Personal Locator Device - FCC approved July, '03). When triggered, a PLD will transmit an emergency signal to local rescue teams identifying your location via satellite GPS coordinates. PLD's may be purchased at Wilderness outfitters or on the internet.

Suspension trauma or blood pooling can occur when suspended motionless in a harness for periods of time. This can lead to unconsciousness and death. A suspension relief strap is furnished with your harness. Read your harness instructions to assure that you know how to use it.

⚠ WARNING

If you have to hang in the tree before help arrives, you need to exercise your legs by pushing off from the tree or by using the enclosed suspension relief strap. See the treestand harness instructions and the enclosed instructions for more information.

Self extraction may be necessary in the unfortunate situation that (A) no one knows your location, (B) your communication efforts are exhausted, (C) you are confident that you have the strength, dexterity and ability to perform self-extraction and (D) you decide this is your "absolute last resort". It is recommended to carry a device to assist with this self-extraction. Simple devices such as screw-in steps or a rope "Tree Descender" (available from Summit) will allow you to remove the weight from your harness. This may enable you to return to the treestand/ladder/climbing steps or slowly descend the tree.

8 WARRANTY

Limited Warranty

(A) Warranty

Summit Treestands, LLC (Summit) warrants to the original retail purchaser that all products manufactured by it are free from defects in material and manufacture at the time of shipment for sixty (60) months from the date of purchase. Summit will repair or replace any part found defective if the unit claimed to be defective shall be returned to Summit, postage prepaid, within the warranty period.

This warranty shall not apply to any product which has been subjected to misuse; misapplication; neglect (including but not limited to improper maintenance); accident; improper installation; modification (including but not limited to use of unauthorized parts or attachments); adjustment or repair. THE FOREGOING IS IN LIEU OF ALL OTHER WARRANTIES, WHETHER EXPRESS OR IMPLIED (INCLUDING THOSE OF MERCHANTABILITY AND FITNESS OF ANY PRODUCT FOR A PARTICULAR PURPOSE), AND OF ANY OTHER OBLIGATION OF LIABILITY ON THE PART OF THE COMPANY.

(B) Limitation of Liability

It is expressly understood that Summit's liability for its products, whether due to breach of warranty, negligence, strict liability, or otherwise, is limited to the repair of the product, as stated above, and Summit will not be liable for any other injury, loss, damage, or expense, whether direct or consequential, including but not limited to loss of use, income, profit, or damage to material, arising in connection with the sale, installation, use of, inability to use, or the repair or replacement of Summit's products.

Summit reserves the right to make alterations or modifications in its products at any time, which in its opinion, may improve the performance and efficiency of the product. It shall not be obligated to make such alterations or modifications to products already in service.

Please take the time to fill out the warranty card online at <http://www.summitstands.com/warranty> or fill out and mail in the enclosed warranty card.

9 PRODUCT VIEWS



www.summitstands.com

© 2009 Summit Treestands, LLC
715 Summit Dr. Decatur, AL 35601

