



**SUMMIT**  
EST. 1981  
**TREESTANDS**

**Summit Deluxe  
Two Man Tripod** PN 82063

# INSTRUCTIONS



## WARNING

**You must fully read, understand and follow these warnings and instructions (written and video)! Failure to follow these instructions may cause serious injury or death!!**

You **MUST** also view the enclosed DVD **BEFORE** using your new treestand!!

### WEIGHT LIMITS

SINGLE USER

**350 LBS. X 1 TOTAL\***

DOUBLE OCCUPANCY (TWO USERS)

**250 LBS. MAX. INDIVIDUAL\***

**500 LBS MAX. COMBINED TOTAL\***

**DO NOT EXCEED THIS LIMIT!**

**(\* Includes all gear)**

- IT IS IMPORTANT TO NOTE THAT A FALL CAN OCCUR AT ANY TIME AFTER LEAVING THE GROUND.
- ALWAYS MAINTAIN THREE POINTS OF CONTACT WHEN YOU CLIMB THE LADDER SECTION OF THIS TRIPOD!
- READ AND UNDERSTAND ALL OF THE MANUFACTURER'S WARNINGS AND INSTRUCTIONS AND USE ALL SAFETY DEVICES PROVIDED. CONTACT SUMMIT TREESTANDS FOR ANY QUESTIONS. FAILURE TO DO SO COULD RESULT IN INJURY OR DEATH!
- A SIGNAL DEVICE SUCH A MOBILE PHONE, RADIO, WHISTLE, SIGNAL FLARE OR PERSONAL LOCATOR DEVICE (PLD) MUST BE ON YOUR PERSON AND READILY AVAILABLE AT ALL TIMES! ALWAYS INFORM SOMEONE OF YOUR HUNTING LOCATION, WHERE THE TRIPOD WILL BE LOCATED AND THE EXPECTED DURATION OF THE HUNT!
- DO NOT USE THIS TRIPOD UNLESS YOU ARE IN GOOD PHYSICAL SHAPE AND HAVE NO PHYSICAL LIMITATIONS OR MEDICAL CONDITIONS WHICH MAY PREVENT YOU FROM SAFELY USING THIS PRODUCT. ALWAYS CONSULT A PHYSICIAN IF YOU HAVE ANY QUESTIONS ABOUT YOUR PHYSICAL ABILITY TO USE THIS PRODUCT.
- NEVER USE THIS TRIPOD WHILE TAKING DRUGS, ALCOHOL OR CERTAIN PRESCRIPTION DRUGS! ALWAYS CONSULT A PHYSICIAN IF YOU HAVE ANY QUESTION ABOUT TAKING SPECIFIC MEDICATIONS AND USING THIS PRODUCT!
- NEVER USE THIS TRIPOD DURING INCLEMENT WEATHER SUCH AS RAIN, LIGHTNING, WINDSTORMS OR ICY CONDITIONS! END YOUR HUNT AND RETURN TO THE GROUND IF ANY OF THESE INCLEMENT CONDITIONS ARISE.
- NEVER USE THIS TRIPOD WHEN FEELING ILL, NAUSEOUS, DROWSY OR DIZZY!
- BE WELL RESTED AND NEVER HURRY. HURRYING CAUSES ACCIDENTS!
- CHECK EVERY COLUMN SECTION CONNECTION EVERY TIME YOU USE THE TRIPOD. IF ANY COLUMN SECTIONS ARE SEPARATING - DO NOT USE THE TRIPOD!
- ALWAYS USE THE SUPPLIED SPIKES TO SECURE THIS TRIPOD TO THE GROUND BEFORE USE - EVEN IF IT IS TO BE USED WITHOUT A LEG EXTENSION KIT!
- NEVER SETUP OR USE THIS TRIPOD AROUND POWER LINES, POWER TRANSFORMERS, SUBSTATIONS OR POWER GENERATORS!
- CHECK THE GROUND UNDER THE TRIPOD TO MAKE SURE IT IS FIRM AND LEVEL. SLOPING GROUND OR AN UNEVEN SURFACE (ONE COLUMN SECTION ON A ROCK FOR EXAMPLE) CAN CAUSE YOUR TRIPOD TO TILT OR SHIFT AS YOU CLIMB.
- PULL UP A BOW, BACKPACK, FIREARM OR OTHER EQUIPMENT ONLY AFTER BEING SECURE IN THE TRIPOD. FIREARMS MUST BE PULLED UP UNLOADED, CHAMBER OPEN AND MUZZLE DOWN!
- NEVER MODIFY YOUR TRIPOD IN ANY WAY BY MAKING REPAIRS, REPLACING PARTS, OR ALTERING ADDING OR ATTACHING ANYTHING TO IT EXCEPT IF EXPLICITLY AUTHORIZED IN WRITING BY THE MANUFACTURER!
- INSTRUCTIONS (WRITTEN AND VIDEO) SHOULD BE KEPT IN A SAFE PLACE AND REVIEWED AT LEAST ANNUALLY. IT IS THE RESPONSIBILITY OF THE TRIPOD OWNER TO FURNISH THE COMPLETE INSTRUCTIONS TO ANY PERSON WHO BORROWS OR PURCHASES THE TRIPOD! THIS SUMMIT TRIPOD IS DESIGNED TO BE USED AS A COMPLETE SYSTEM - NEVER LOAN OR SELL ONLY A PORTION OF THIS TRIPOD.
- BEFORE EACH USE OF YOUR SUMMIT TRIPOD, ALWAYS INSPECT THE TRIPOD FOR ANY DAMAGE, CRACKS, TEARS, WEAR OR ABRASION THAT MAY HAVE OCCURRED IN TRANSPORTING / STORING YOUR TREESTAND. DO NOT USE IF ANY DAMAGE IS FOUND! CONTACT CUSTOMER SERVICE FOR THE APPROPRIATE REPAIR / REPLACEMENT PROCEDURE!
- DO NOT LEAVE YOUR TRIPOD OUTDOORS WHEN IT IS NOT BEING USED! ANY STAND TUBING THAT IS ALLOWED TO FILL WITH RAINWATER AND FREEZE WILL RUPTURE OR BURST - DO NOT USE YOUR TRIPOD IF THIS OCCURS!
- ALWAYS USE THREE PEOPLE TO SETUP THIS TRIPOD

# 1 INDEX

GENERAL WARNINGS AND PRECAUTIONS, TRIPOD WEIGHT LIMITS	PG 1
SECTION 1 - INDEX	PG 2
SECTION 2 - PARTS LIST	PG 2
SECTION 3 - TOOLS REQUIRED	PG 2
SECTION 4 - ASSEMBLY	PG 4-11
SECTION 5 - SETUP AND USE	PG 12
SECTION 6 - MAINTENANCE AND CARE	PG 12
SECTION 8 - LIMITED WARRANTY INFORMATION	PG 12







# 2 PARTS LIST

Please call 256-353-0634 or visit <http://www.summitstands.com/contactus/> if you have any questions, if you need replacement parts, if you have any missing parts or if the included DVD does not play.

## BOX CONTENTS

PN	DESCRIPTION	QTY
82063.200	PLATFORM ASSEMBLY	3
82063.300	PLATFORM SUPPORT TUBE	3
82063.400	UPPER LEG ASSEMBLY	2
82063.500	LOWER LADDER ASSEMBLY	1
82063.600	LOWER CROSS BRACE A	3
82063.700	LOWER CROSS BRACE B	3
82063.800	UPPER CROSS BRACE A	3
82063.900	UPPER CROSS BRACE B	3
82063.1000	SHOOTING RAIL SUPPORT ASSEMBLY	2
82063.1110	SHOOTING RAIL	3
82063.1200	SHOOTING RAIL SUPPORT TUBE	2
82063.1300	LOWER HUB	1
82063.1400	UPPER HUB	1
82063.1500	CROSS BRACE CLAMP	18
82063.2100	LOWER LEG ASSEMBLY	2
82063.2200	UPPER LADDER ASSEMBLY	1
82063.2300	SAFETY RAIL	3
82063.2400	39" ARM PAD	3
82063.2500	IN-LINE CABLE TIE	9
82063.2600	FOLDING SEAT BACK	1
82063.2700	FOLDING SEAT BASE	1
82063.2800	METAL SEAT BASE	1
82063.2900	SEAT POST	2
82063.3001	SEAT POST UPPER MOUNT	2
82063.3002	SEAT POST LOWER MOUNT	2
82063.3000	INSTRUCTIONAL DVD	1
82063.3100	INSTRUCTION BOOKLET	1
82063.3200	HARDWARE PACKET	1

## 82063.3200 - HARDWARE PACKET

PN	DESCRIPTION	QTY
10624	1" BOLT, 1/4x20 	40
10604	1 1/4" BOLT, 1/4x20 	6
10601	1 3/4" BOLT, 1/4x20 	18
10606	2" BOLT, 1/4x20 	7
10612	CENTERLOCK NUT, 1/4x20 	63
10625	1/4" Washer 	24

# 3 TOOLS REQUIRED

### Tools

- 7/16" Wrenches and / or Socket / Ratchet
- Knife or Snips

- Assembly can be made easier by the use of a powered ratchet or drill with socket adapter (take care not to overtighten when using power tools to assemble)  
 - It is recommended that all bolts be sorted by thread count / length prior to assembly.

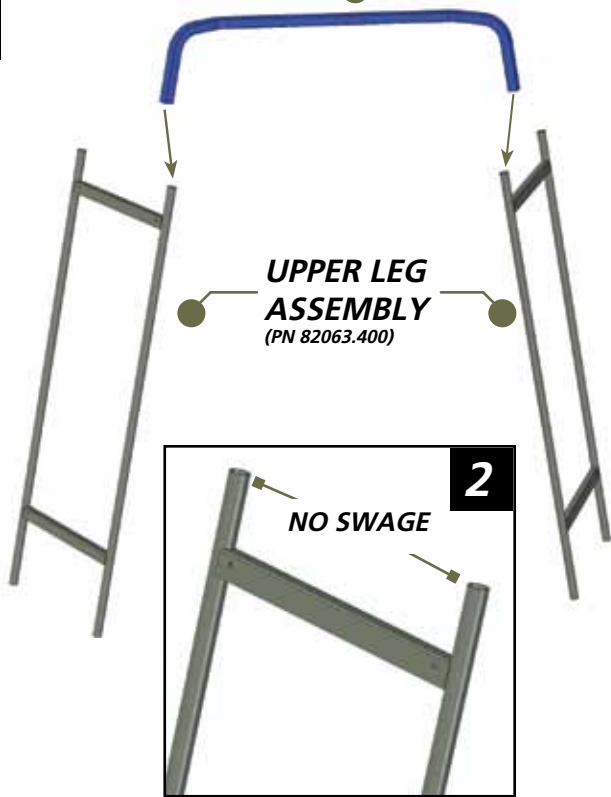
### Use

All Hardware, 1/4x20 threads  
 Cable Tie Trimming

# 4 ASSEMBLY

**PLATFORM SUPPORT TUBE**  
(PN 82063.300)

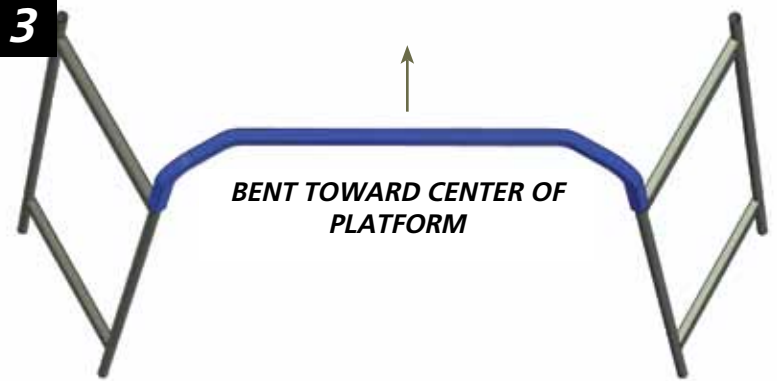
1



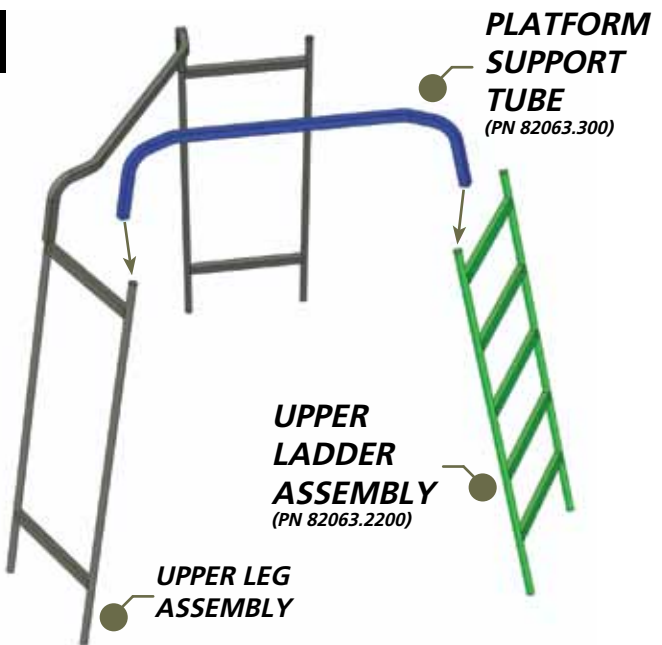
## PLATFORM SUPPORT FRAME

1. Position two Upper Leg Assemblies and one Platform Support Tube as shown in **figure 1**. The Upper Leg Assemblies do not have a swaged end (**as shown in figure 2**). Only the Lower Leg Assemblies have a swaged end. Please note the correct orientation of the Support Tube as shown in **figure 3**.
2. Slide the Support Tube over the ends of the Leg Assemblies as shown in **figure 3**.

3

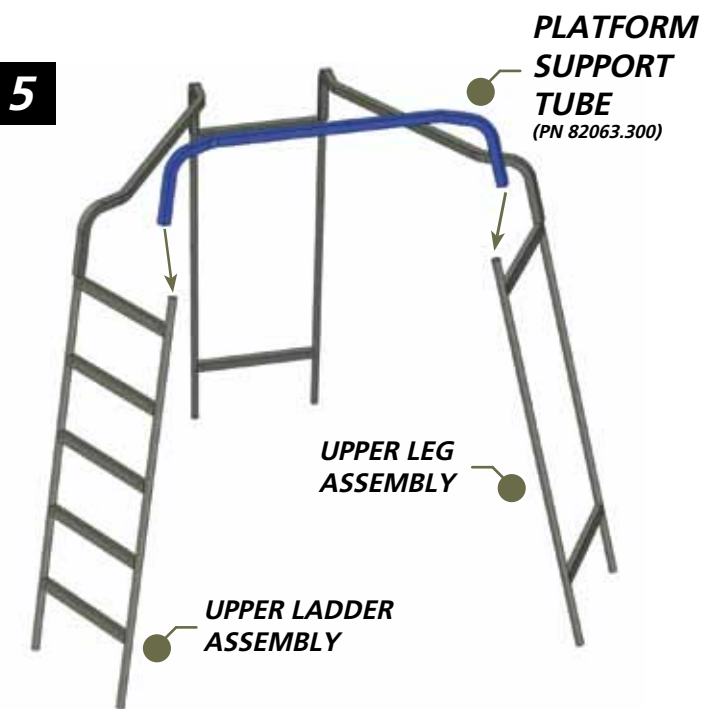


4



3. Position the Upper Ladder Assembly and another Platform Support Tube as shown in **figure 4**.
4. Slide the Support Tube over the end of the Leg Assembly and the end of the Ladder Assembly. The Upper Ladder Assembly does not have a swaged end.
5. Slide the remaining Platform Support Tube over the end of the Leg Assembly and Ladder Assembly (**see figure 5**).

5



[www.summitstands.com](http://www.summitstands.com)

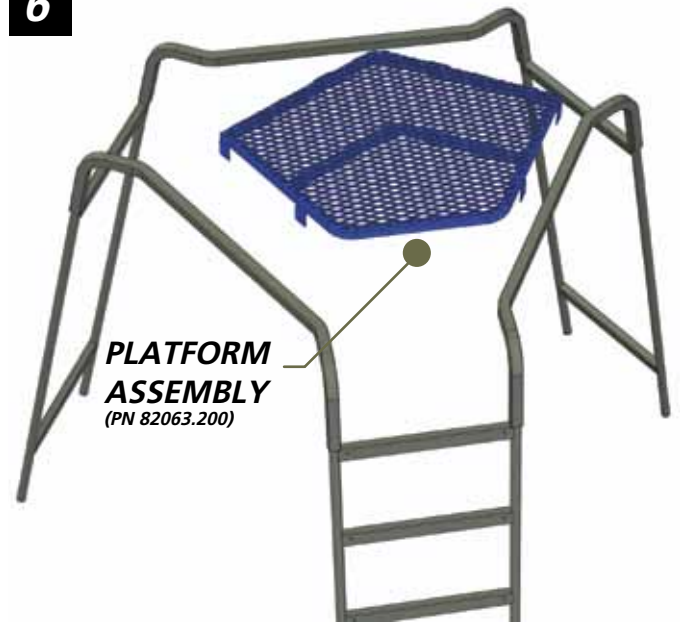
## PLATFORM

1. Position one of the Platform Assemblies as shown in **figure 6**. The four welded on brackets will fit over the Platform Support Tubes.
2. Slide the Platform Assembly down onto the Support Tubes as shown in **figure 7**.

7



6

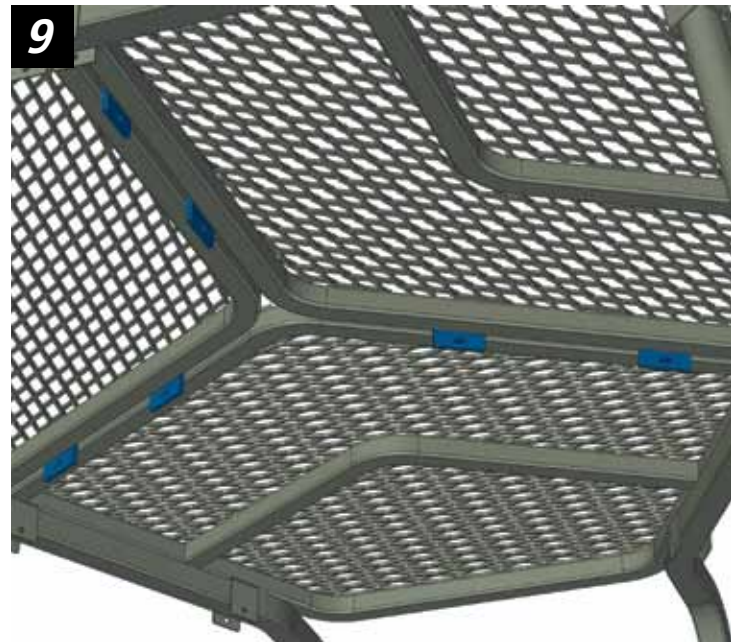


3. Position the other two Platform Assemblies as shown in **figure 8**. Slide these down onto the Support tubes and butt them up as close as possible to each other. The twelve welded on tabs (in blue) under the Platform Assemblies should line up as shown in **figure 9**.

8

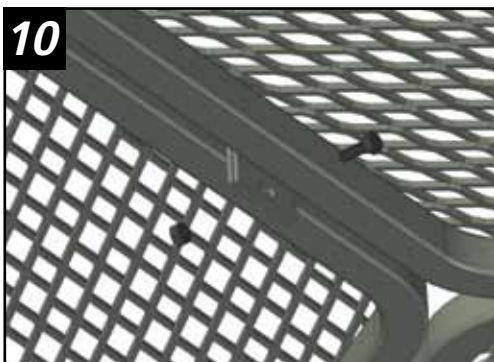


9



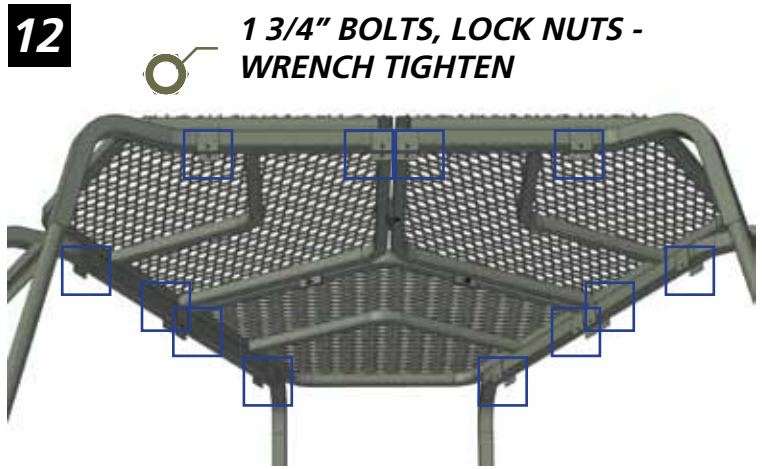
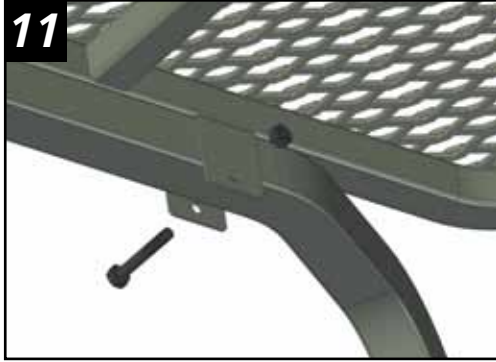
4. Use one 1" bolt and lock nut to secure each platform section together (**see figure 10.**) Alternate tightening of these three bolts until the platform sections have been pulled together. There should not be any gaps between the brackets once tight.

10



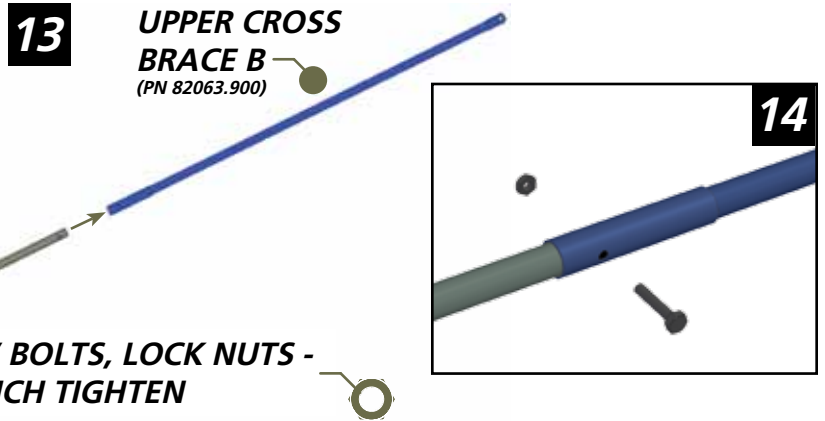
1" BOLTS, LOCK NUTS -  
WRENCH TIGHTEN

5. Use twelve (12), 1 3/4" bolts with lock nuts to secure the platform U braces to the Support Tubes as shown in **figure 11**. See **figure 12** for bolt locations. Wrench tighten all bolts.



**UPPER CROSS BRACES**

1. Next, assemble the Upper Cross Braces. Slide the Upper Cross Brace A into the open end of the Upper Cross Brace B as shown in **figure 13**. Brace A has an overall length of 38.4" while Brace B has an overall length of 40.4".
2. Use one 1 1/4" bolt and lock nut to secure the two Brace Sections together as shown in **figure 14**.
3. Repeat for the other five Upper Cross Braces.



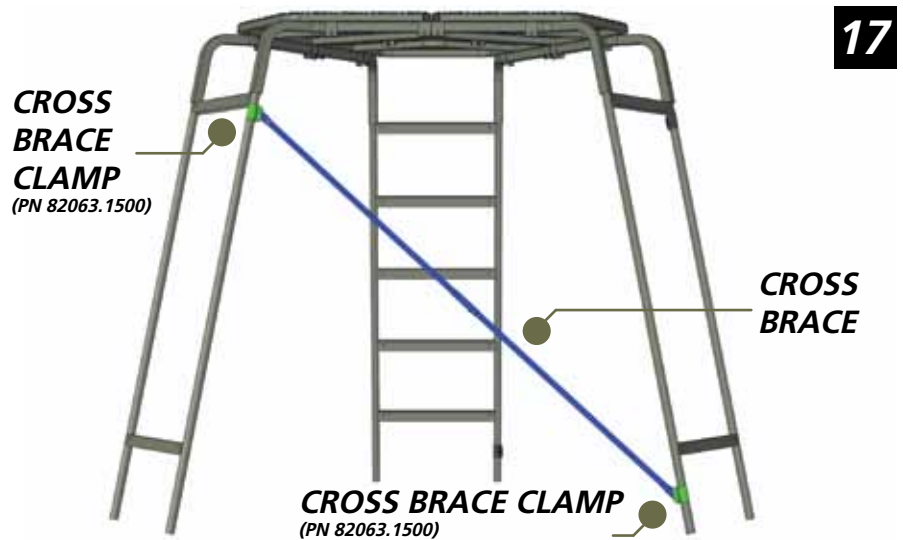
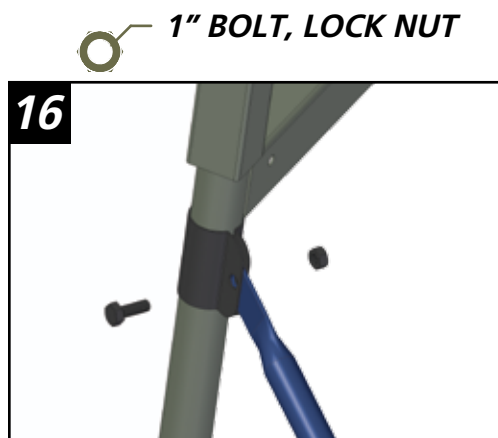
4. Snap one of the Cross Brace Clamps onto the leg tubing as shown in **figure 15**. The Clamps can be spread apart to fit over the tubing.

5. Once the Clamp has been attached, pinch the open ends together.

6. Position one of the completed Upper Cross Braces (in blue) as shown in **figure 17**. This brace will run diagonally between two Clamps (in green).

7. The ends of the Cross Brace should fit between the open ends of the Clamp (see **figure 16**.)

8. Use one, 1" bolt and lock nut to secure the Cross Brace to the upper Clamp. Leave this connection hand tight for now.



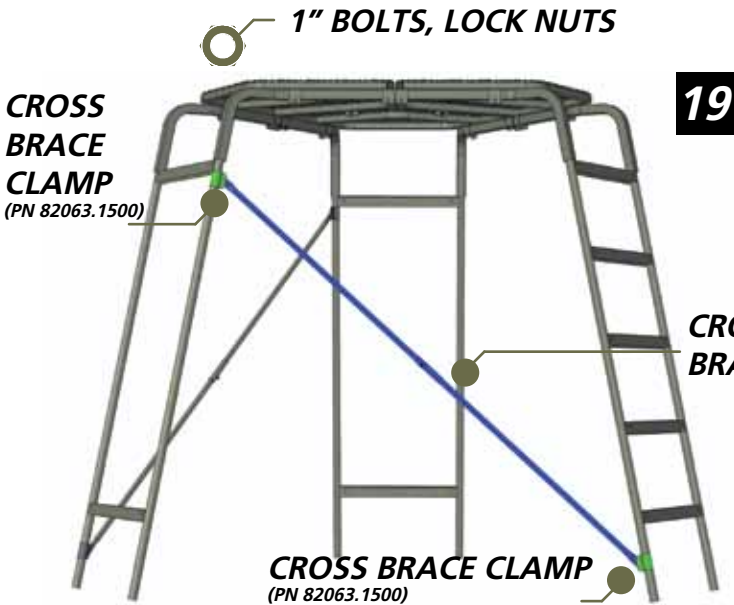
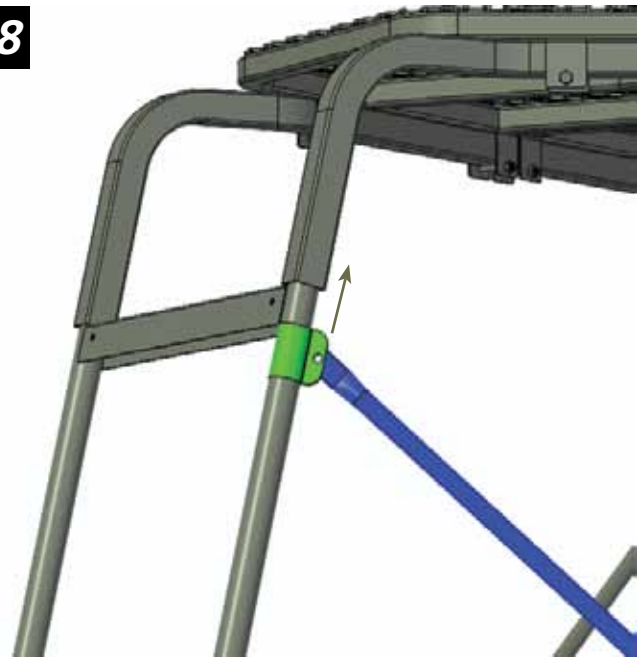
9. Slide the Upper Clamp tight against the cross rung as shown in **figure 18**. Wrench tighten the upper bolt.

10. Use another **1" bolt and lock nut** to secure the Cross Brace to the lower Clamp.

11. Attach another Upper Cross Brace next. Position it in the same location as the first Brace. Snap two clamps onto the tubing as shown in **figure 19**. Run the Cross brace between both clamps.

12. Use one **1" bolt and lock nut** at each clamp to secure the brace.

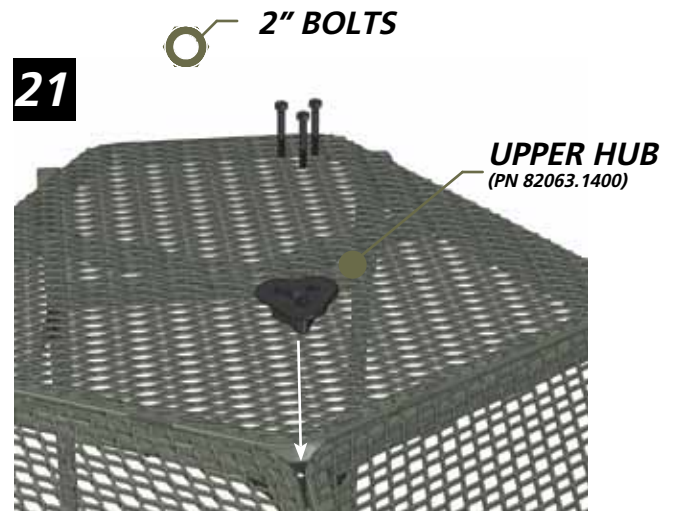
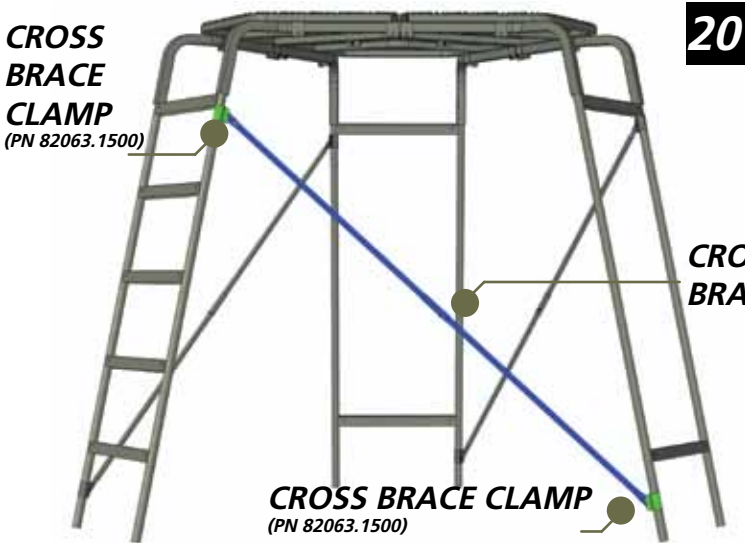
18



13. Attach the final Upper Cross Brace now. Position it in the same location as the first two Braces. Snap two clamps onto the tubing as shown in **figure 20**. Run the Cross brace between both clamps.

14. Use one **1" bolt and lock nut** at each clamp to secure the brace.

15. All three Braces should run from the top left to the lower right as shown in **figure 20**.

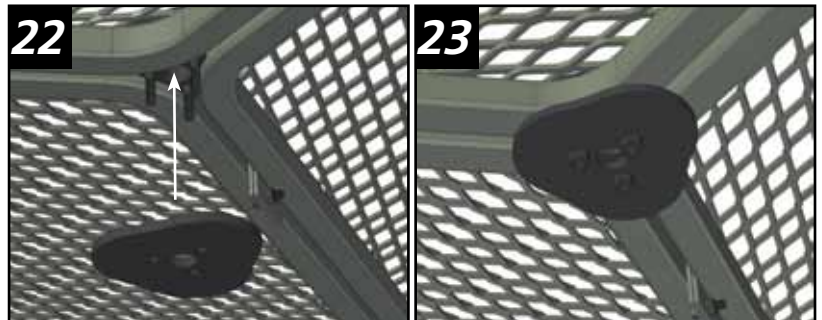


### HUB ASSEMBLY

1. Position the Upper Hub above the center of the platform as shown in **figure 21**. Insert three **2" bolts** through the hub from above.

2. From under the platform, line up the bolt holes in the lower hub and slide it over the bolts as shown in **figure 22**.

3. Secure the hubs together using three **lock nuts** as shown in **figure 23**.



### SHOOTING RAIL ASSEMBLY

1. Position one of the Shooting Rail Support Assemblies as shown in **figure 24**. This Rail Support will attach above one of the Leg Assemblies as shown (not above the ladder assembly).
2. Slide the Rail Support down over the tubing but do not bolt together yet.
3. Position the other Shooting Rail Support as shown in **figure 25**. It will attach above the other Leg Assembly as shown. Slide the Rail Support down over the tubing but do not bolt together yet.



4. Position one of the Shooting Rails as shown in **figure 26**. This rail will slide down over the ends of the Shooting Rail Supports.
5. Slide one of the Shooting Rail Support Tubes over the frame as shown in **figure 27**. Do not bolt together yet.
6. Slide the other Shooting Rail Support Tube over the opposite side as shown in **figure 28**.



**29**

**SHOOTING RAIL**  
(PN 82063.1100)



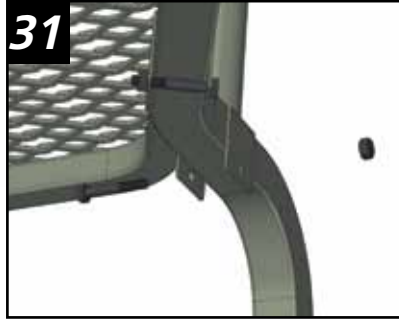
**1 3/4" BOLTS, LOCK NUTS -  
WRENCH TIGHTEN**



**SHOOTING RAIL ASSEMBLY (continued)**

- 7. Position the remaining two Shooting Rails as shown in **figure 29**. Slide these down over the ends of the Support Tubes as shown in **figure 30**.
- 8. Use one **1 3/4" bolt and lock nut (figure 31)** to secure the lower bracket on each of the six Shooting Rail Supports from the steps listed above. Wrench tighten all bolts.

**30**



**SAFETY RAIL ASSEMBLY**

- 1. Attach two more Cross Brace Clamps to the Shooting Rail Supports as shown in **figure 32**.
- 2. Run one of the Safety Rails between the Clamps and secure using a **1" bolt and lock nut** at each Clamp as shown in **figure 33**.  
The Safety Rails should be positioned so that they are **17" up from the platform**.

**1" BOLTS, LOCK NUTS -  
WRENCH TIGHTEN**



**32**

**CROSS BRACE CLAMP**  
(PN 82063.1500)

**SAFETY RAIL**  
(PN 82063.2300)

**CROSS BRACE CLAMP**  
(PN 82063.1500)



- 3. Attach two more Cross Brace Clamps to the Shooting Rail Supports as shown in **figure 34**. Run one of the Safety Rails between the Clamps and secure using a **1" bolt and lock nut** at each Clamp.
- 4. Repeat for the last Safety Rail as shown in **figure 35**.

**1" BOLTS, LOCK NUTS -  
WRENCH TIGHTEN**



**34**



**1" BOLTS, LOCK NUTS -  
WRENCH TIGHTEN**



**35**





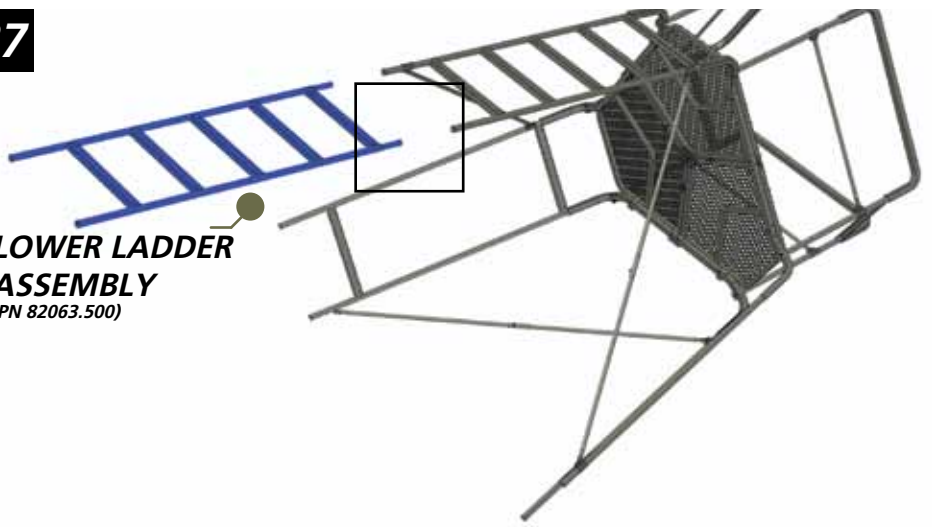
### LOWER LEG ASSEMBLY

1. Use a helper and carefully lay the tripod on its side.

**37**

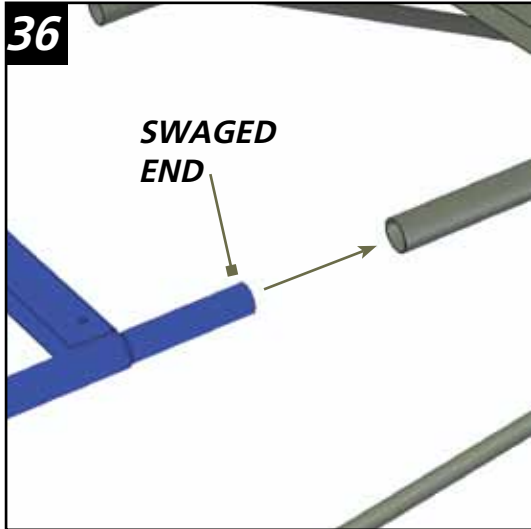
2. Slide the swaged end (see figure 36) of the Lower Ladder Assembly into the Upper Ladder Assembly as shown in figure 37.

**LOWER LADDER ASSEMBLY**  
(PN 82063.500)



**36**

**SWAGED END**



**38**

3. Slide the swaged end of one of the Lower Leg Assemblies into the Upper Leg Assembly (figure 38).

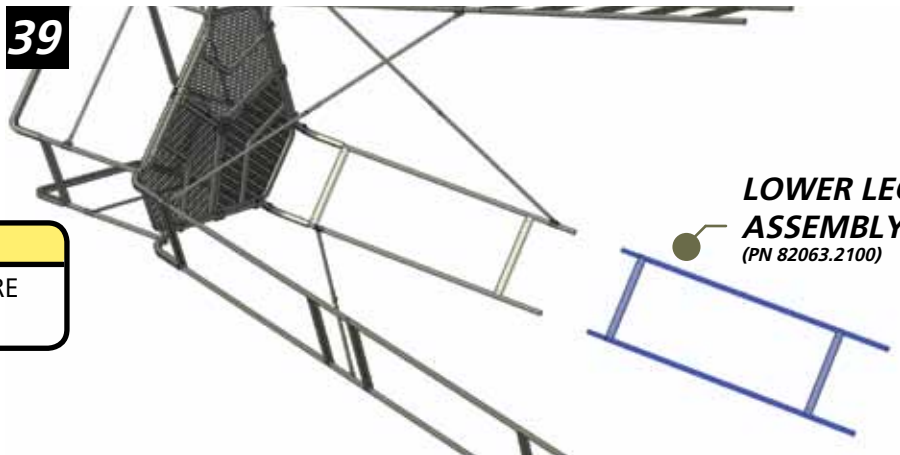
**LOWER LEG ASSEMBLY**  
(PN 82063.2100)



4. Slide the swaged end of the remaining Lower Leg Assembly into the Upper Leg Assembly as shown in figure 39.

**39**

**LOWER LEG ASSEMBLY**  
(PN 82063.2100)



### **CAUTION**

Brace attachment must be completed BEFORE attempting to stand the Tripod up.

### LOWER CROSS BRACES

1. Next, assemble the Lower Cross Braces. Slide the Lower Cross Brace A into the open end of the Lower Cross Brace B as shown in figure 40.

**40**

**LOWER CROSS BRACE B**  
(PN 82063.700)

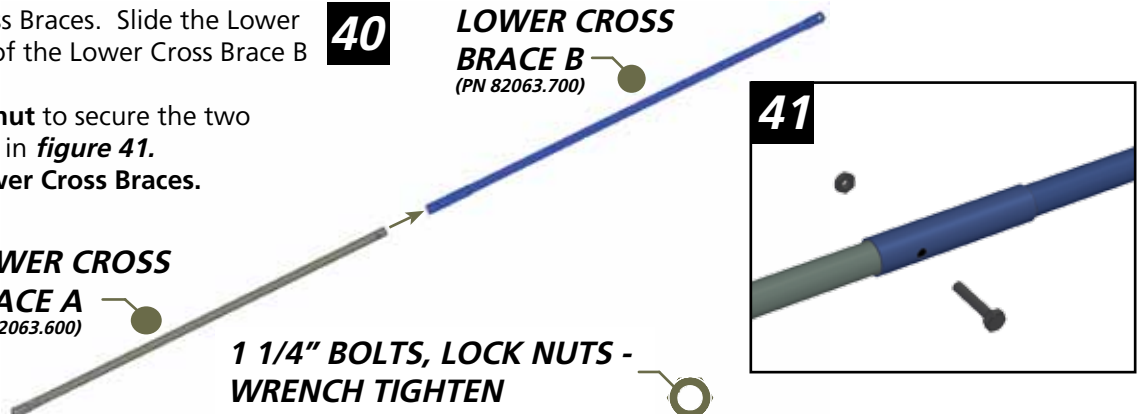
2. Use one 1 1/4" bolt and lock nut to secure the two Brace Sections together as shown in figure 41.

3. Repeat for the other five Lower Cross Braces.

**LOWER CROSS BRACE A**  
(PN 82063.600)

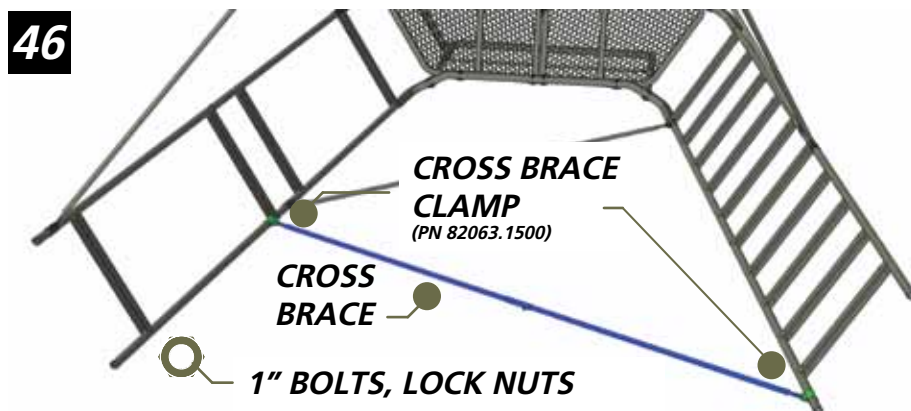
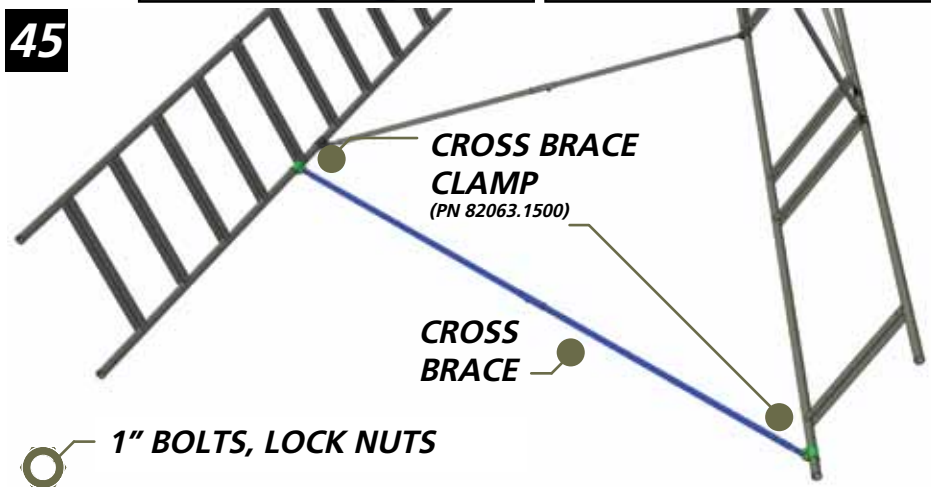
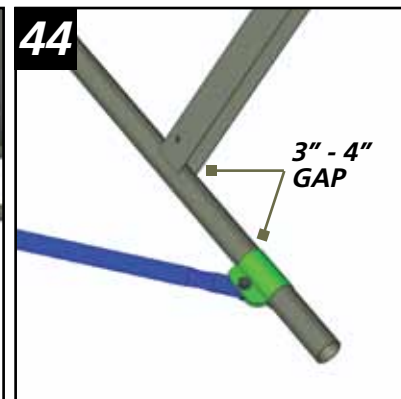
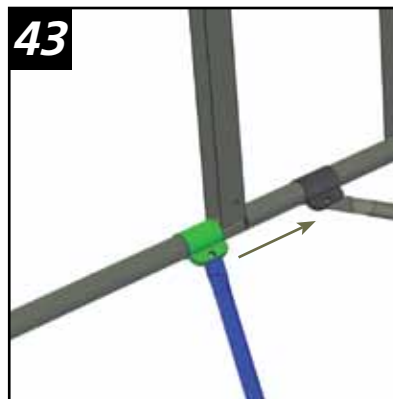
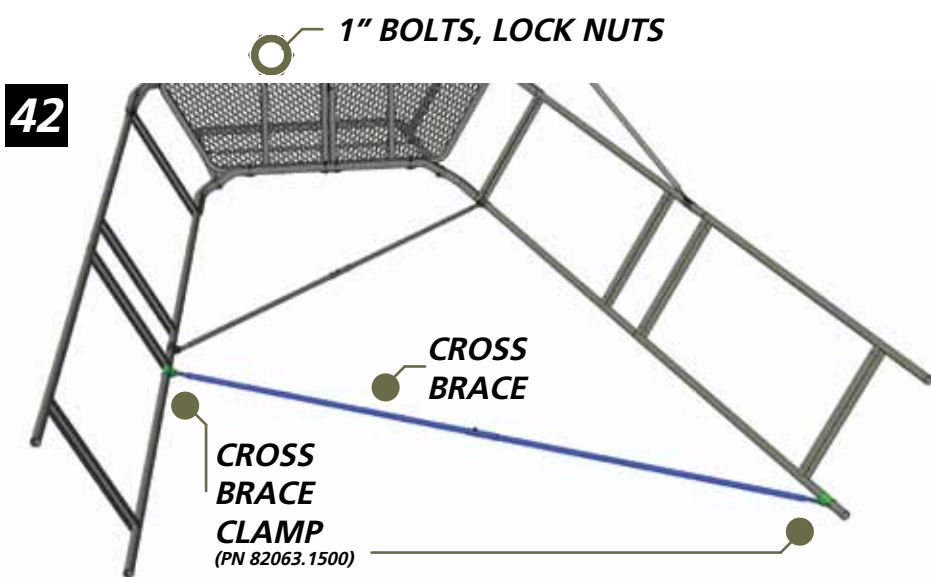
**1 1/4" BOLTS, LOCK NUTS - WRENCH TIGHTEN**

**41**



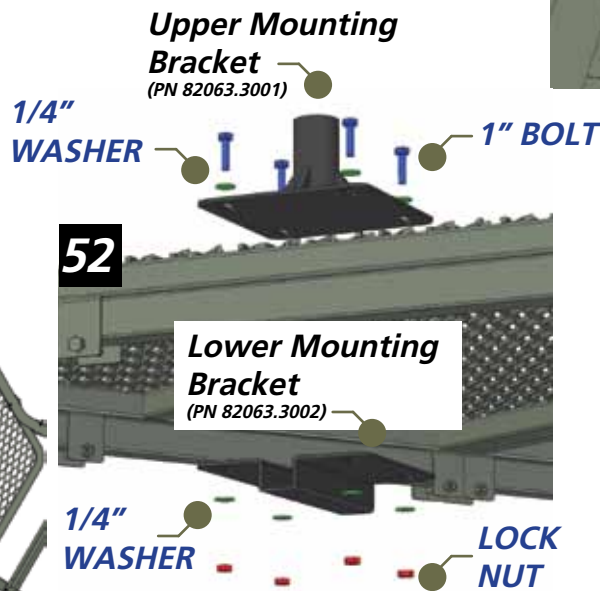
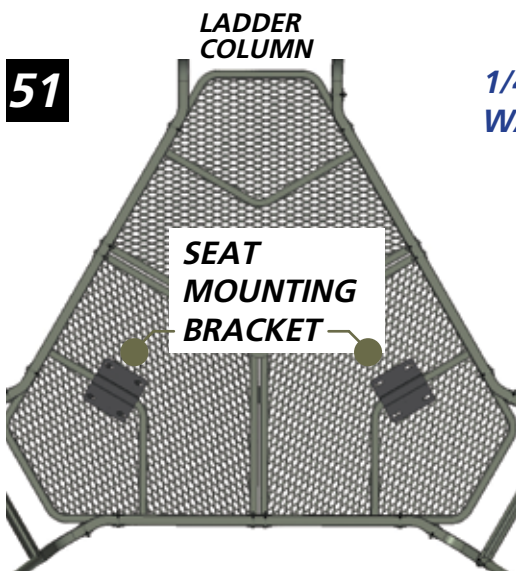
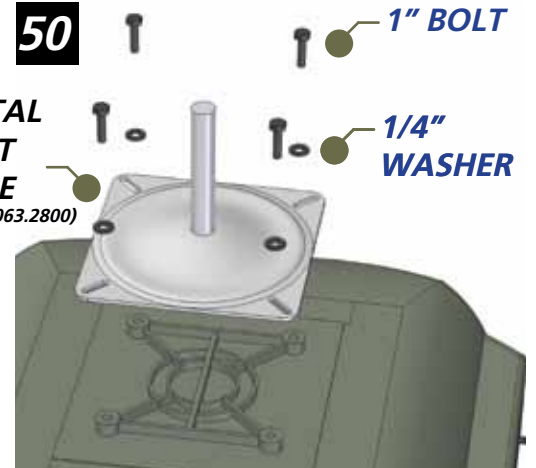
**LOWER CROSS BRACES (continued)**

4. Snap one of the Cross Brace Clamps onto the leg tubing as shown in **figure 42**.
5. Position one of the completed Lower Cross Braces (in blue) as shown in **figure 42**. This brace will run diagonally between two Clamps (in green).
6. Use one, **1" bolt and lock nut** to secure the Cross Brace to the upper Clamp. Leave this connection hand tight for now.
7. Slide the Upper Clamp tight against the cross rung as shown in **figure 43**. Wrench tighten the upper bolt.
8. Use another **1" bolt and lock nut** to secure the Cross Brace to the lower Clamp. The lower Clamp should be positioned between 3"- 4" from the lower cross rung as shown in **figure 44**.
9. Carefully rotate the stand and attach another Lower Cross Brace next. Position it in the same location as the first Brace. Snap two clamps onto the tubing as shown in **figure 45**. Run the Cross brace between both clamps.
10. Use one **1" bolt and lock nut** at each clamp to secure the brace.
11. Carefully rotate the stand and attach the final Lower Cross Brace now. Position it in the same location as the first two Braces. Snap two clamps onto the tubing as shown in **figure 46**. Run the Cross brace between both clamps.
12. Use one **1" bolt and lock nut** at each clamp to secure the brace.
13. All three Braces should run from the top right to the lower left as shown in **figure 47**.



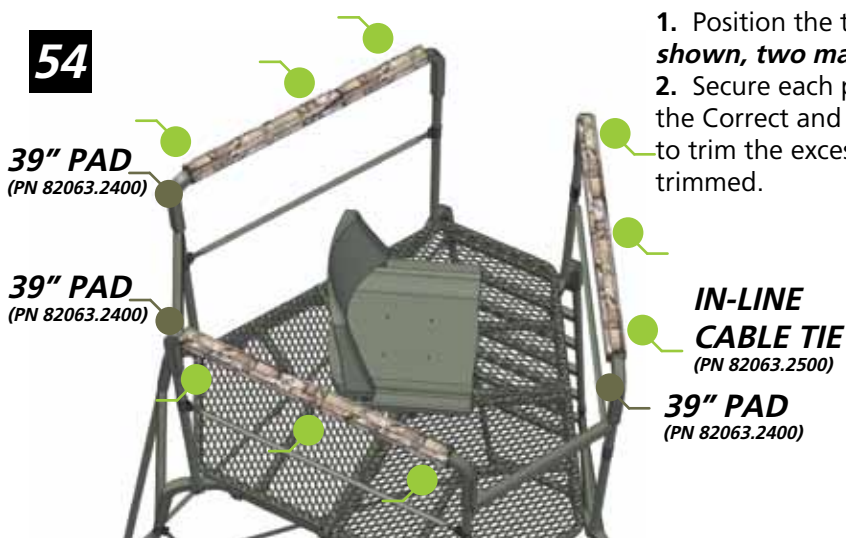
## SEAT ASSEMBLY

1. Line up the Seat Backrest with the Seat Base as shown in **figure 48**. (seat may differ in appearance)
2. Use two, 2" bolts and lock nuts to secure the Seat Backrest to the Seat Base as shown in **figure 49**. Run these bolts from the inside out and do not overtighten as this connection is designed to pivot.
3. Position the assembled Seat above the Metal Seat Base as shown in **figure 50**. Bolt the Seat to the Swivel using four, 1" bolts and washers.
4. The metal Seat Mounting Brackets attach to the platform on the opposite side from the ladder column as shown in **figure 51**.
5. Position the Upper and Lower Mounting Bracket as shown in **figure 52**. The Lower Bracket is designed to capture the platform tubing. Washers are to be used at each bolt / nut location. Use four 1" bolts with lock nuts to secure.
6. Slide the Seat Post into the Seat Mounting Bracket. Slide the Seat into the Seat Post to complete (see **figure 53**). Repeat for other seat.



## SHOOTING RAIL PAD ASSEMBLY

1. Position the three 39" Pads as shown in **figure 54** (single man tripod shown, two man similar.)
2. Secure each pad with three In-Line cable ties as shown. Please note the Correct and Incorrect ways of using the ties. Use a sharp knife or snips to trim the excess. Rotate the clasp under the pad when they have been trimmed.



## 5 SETUP AND USE

### ⚠ WARNING

Always maintain three points of contact when climbing the ladder portion of this tripod stand.

### ⚠ WARNING

Due to the large size and weight of this product, it is mandatory that a minimum of **THREE** people initially help setup this tripod.

1. Find a suitable area to setup the Tripod. Check the ground under the tripod to make sure it is firm and level. Sloping ground or an uneven surface (one leg section on a rock for example) can cause your tripod to tilt or shift as you climb.
2. Tilt the stand upright by walking the legs upright from the platform down to the end of the legs. Have a third person secure the top leg once it is low enough to reach. **NOTE:** The stand will be platform / top heavy.

## 6 MAINTENANCE AND CARE

The seat on this ladder stand is removable. We recommend it be removed and stored in a dry place when not in use.

The powdercoat finish applied at the factory is very durable and should only need touch ups in areas of heavy wear or accidental impact. The powder coat is applied only to the exterior surfaces of the treestand so it is possible for some surface rust to form inside the stand tubing. This is normal and should not affect the durability or performance of the stand.

Should you damage any part of your Summit Treestand, contact your nearest authorized Summit dealer or the factory to obtain the proper corrective action procedure and/or replacement parts for the treestand.

### ⚠ CAUTION

Look for nicks, gouges, cuts, cracks, bends, corrosion or similar damage that can be the result of improper use or accidental damage. For instance, this could occur if someone else used the treestand without knowledge of its proper use, or if the treestand were dropped, hit by a motor vehicle or subject to corrosive conditions, etc.

Summit Treestands have the highest structural integrity by design, material selection and manufacturing techniques, but as its owner, only your continued care will assure trouble free performance. When the above-mentioned guidelines are followed, your Summit Treestand will provide years of successful hunting.

## 7 LIMITED WARRANTY

### (A) Warranty

Summit Treestands, LLC (Summit) warrants to the original retail purchaser that all products manufactured by it are free from defects in material and manufacture at the time of shipment for sixty (60) months from the date of purchase. Summit will repair or replace any part found defective if the unit claimed to be defective shall be returned to Summit, postage prepaid, within the warranty period.

This warranty shall not apply to any product which has been subjected to misuse; misapplication; neglect (including but not limited to improper maintenance); accident; improper installation; modification (including but not limited to use of unauthorized parts or attachments); adjustment or repair. THE FOREGOING IS IN LIEU OF ALL OTHER WARRANTIES, WHETHER EXPRESS OR IMPLIED (INCLUDING THOSE OF MERCHANTABILITY AND FITNESS OF ANY PRODUCT FOR A PARTICULAR PURPOSE), AND OF ANY OTHER OBLIGATION OF LIABILITY ON THE PART OF THE COMPANY.

### (B) Limitation of Liability

It is expressly understood that Summit's liability for its products, whether due to breach of warranty, negligence, strict liability, or otherwise, is limited to the repair of the product, as stated above, and Summit will not be liable for any other injury, loss, damage, or expense, whether direct or consequential, including but not limited to loss of use, income, profit, or damage to material, arising in connection with the sale, installation, use of, inability to use, or the repair or replacement of Summit's products.

Summit reserves the right to make alterations or modifications in its products at any time, which in its opinion, may improve the performance and efficiency of the product. It shall not be obligated to make such alterations or modifications to products already in service.

**Please take the time to fill out the warranty card online at <http://www.summitstands.com/warranty> or fill out and mail in the enclosed warranty card.**

© 2011 Summit Treestands, LLC  
715 Summit Dr. Decatur, AL 35601  
(256) 353-0634  
[info@summitstands.com](mailto:info@summitstands.com)