



## Summit Classic Deluxe 2 Man Ladder Treestand PN 81524



### **WARNING**

You must fully read, understand and follow these warnings and instructions (written and video)! Failure to follow these instructions may cause serious injury or death!!

You **MUST** also view the enclosed DVD **BEFORE** using your new treestand!!

#### **WEIGHT LIMIT**

<b>SINGLE USER</b>	<b>DOUBLE OCCUPANCY (TWO USERS)</b>
<b>350 LBS. X 1 TOTAL*</b>	<b>250 LBS. MAX. INDIVIDUAL*</b>
	<b>500 LBS MAX. COMBINED TOTAL*</b>

**DO NOT EXCEED THIS LIMIT!**

(\* Includes all gear)

Stand minimum and maximum tree size: **8-20" diameter**

- **WHEN HUNTING FROM A TREESTAND FALLS CAUSING INJURY OR DEATH CAN OCCUR ANY TIME AFTER LEAVING THE GROUND!** FOR THOSE REASONS ALWAYS USE A FALL ARREST SYSTEM (FAS) COMPRISING A FULL BODY HARNESS AT ALL TIMES AFTER LEAVING THE GROUND. YOU MUST STAY CONNECTED AT ALL TIMES AFTER LEAVING THE GROUND WHILE USING ANY ELEVATED HUNTING PLATFORM. SINGLE SAFETY BELTS AND CHEST HARNESSES ARE NO LONGER ALLOWED AND SHOULD NEVER BE USED. IF YOU ARE NOT USING A FULL BODY HARNESS THAT IS PROTECTING YOU FROM A FALL, DO NOT LEAVE THE GROUND!
- READ AND UNDERSTAND ALL OF THE MANUFACTURER'S WARNINGS AND INSTRUCTIONS AND USE ALL SAFETY DEVICES PROVIDED. CONTACT SUMMIT TREESTANDS FOR ANY QUESTIONS. FAILURE TO DO SO COULD RESULT IN INJURY OR DEATH!
- A SIGNAL DEVICE SUCH A MOBILE PHONE, RADIO, WHISTLE, SIGNAL FLARE OR PERSONAL LOCATOR DEVICE (PLD) MUST BE ON YOUR PERSON AND READILY AVAILABLE AT ALL TIMES! ALWAYS INFORM SOMEONE OF YOUR HUNTING LOCATION, WHERE THE TREESTAND WILL BE LOCATED AND THE EXPECTED DURATION OF THE HUNT!
- DO NOT USE ANY TREESTAND UNLESS YOU ARE IN GOOD PHYSICAL SHAPE AND HAVE NO PHYSICAL LIMITATIONS OR MEDICAL CONDITIONS WHICH MAY PREVENT YOU FROM SAFELY USING THIS PRODUCT. ALWAYS CONSULT A PHYSICIAN IF YOU HAVE ANY QUESTIONS ABOUT YOUR PHYSICAL ABILITY TO USE THIS PRODUCT.
- NEVER USE A TREESTAND WHILE TAKING DRUGS, ALCOHOL OR CERTAIN PRESCRIPTION DRUGS! ALWAYS CONSULT A PHYSICIAN IF YOU HAVE ANY QUESTION ABOUT TAKING SPECIFIC MEDICATIONS AND USING THIS PRODUCT!
- NEVER USE A TREESTAND DURING INCLEMENT WEATHER SUCH AS RAIN, LIGHTNING, WINDSTORMS OR ICY CONDITIONS! END YOUR HUNT AND RETURN TO THE GROUND IF ANY OF THESE INCLEMENT CONDITIONS ARISE.
- NEVER USE A TREESTAND WHEN FEELING ILL, NAUSEOUS, DROWSY OR DIZZY!
- BE WELL RESTED AND NEVER HURRY. HURRYING CAUSES ACCIDENTS!
- CHECK EVERY LADDER SECTION CONNECTION EVERY TIME YOU USE THE STAND. IF ANY LADDER SECTIONS ARE SEPARATING - DO NOT USE THE STAND!
- NEVER USE A TREESTAND ON A DEAD, LEANING, DISEASED, LOOSE BARKED TREE, ON A UTILITY POLE OR ON TREES THAT HAVE ANY OBSTRUCTIONS THAT MAY LIMIT TREESTAND USE! NEVER RELY ON A TREE BRANCH FOR SUPPORT!
- CHECK THE GROUND UNDER THE LADDER STAND TO MAKE SURE IT IS FIRM AND LEVEL. SLOPING GROUND OR AN UNEVEN SURFACE (ONE LADDER SECTION ON A ROCK FOR EXAMPLE) CAN CAUSE YOUR STAND TO TILT OR SHIFT AS YOU CLIMB.
- ALWAYS MAINTAIN THREE POINTS OF CONTACT WHEN YOU CLIMB THE LADDER SECTION OF THIS STAND!
- PULL UP A BOW, BACKPACK, FIREARM OR OTHER EQUIPMENT ONLY AFTER BEING SECURE IN THE TREESTAND. FIREARMS MUST BE PULLED UP UNLOADED, CHAMBER OPEN AND MUZZLE DOWN!
- NEVER MODIFY YOUR STAND IN ANY WAY BY MAKING REPAIRS, REPLACING PARTS, OR ALTERING ADDING OR ATTACHING ANYTHING TO IT EXCEPT IF EXPLICITLY AUTHORIZED IN WRITING BY THE MANUFACTURER!
- PRACTICE INSTALLING, ADJUSTING AND USING YOUR TREESTAND AT GROUND LEVEL PRIOR TO USING IT AT ELEVATED POSITIONS!
- INSTRUCTIONS (WRITTEN AND VIDEO) SHOULD BE KEPT IN A SAFE PLACE AND REVIEWED AT LEAST ANNUALLY. IT IS THE RESPONSIBILITY OF THE TREESTAND OWNER TO FURNISH THE COMPLETE INSTRUCTIONS TO ANY PERSON WHO BORROWS OR PURCHASES THE TREESTAND! THIS SUMMIT TREESTAND IS DESIGNED TO BE USED AS A COMPLETE SYSTEM - NEVER LOAN OR SELL ONLY A PORTION OF THIS TREESTAND SYSTEM.
- BEFORE EACH USE OF YOUR SUMMIT TREESTAND, ALWAYS INSPECT THE TREESTAND AND HARNESS FOR ANY DAMAGE, CRACKS, TEARS, CABLE WEAR OR ABRASION THAT MAY HAVE OCCURRED IN TRANSPORTING / STORING YOUR TREESTAND. DO NOT USE IF ANY DAMAGE IS FOUND! CONTACT CUSTOMER SERVICE FOR THE APPROPRIATE REPAIR / REPLACEMENT PROCEDURE!
- DO NOT LEAVE YOUR TREESTAND OUTDOORS WHEN IT IS NOT BEING USED! ANY STAND TUBING THAT IS ALLOWED TO FILL WITH RAINWATER AND FREEZE WILL RUPTURE OR BURST - DO NOT USE YOUR TREESTAND IF THIS OCCURS! *Academy Series 2, 1/2012*

# 1 INDEX

GENERAL WARNINGS AND PRECAUTIONS, STAND WEIGHT LIMITS  
 SECTION 1 - INDEX  
 SECTION 2 - PARTS LIST  
 SECTION 3 - TOOLS REQUIRED  
 SECTION 4 - ASSEMBLY  
 SECTION 5 - SETUP AND USE  
 SECTION 6 - MAINTENANCE AND CARE  
 SECTION 7 - HARNESS SUSPENSION INFORMATION  
 SECTION 8 - LIMITED WARRANTY INFORMATION  
 SECTION 9 - PRODUCT VIEWS

PG 1  
 PG 2  
 PG 2 - 3  
 PG 3  
 PG 3 - 8  
 PG 8 - 11  
 PG 11  
 PG 11  
 PG 12  
 PG 12

# 2 PARTS LIST

Please call 256-353-0634 or visit <http://www.summitstands.com/contactus/> if you have any questions, if you need replacement parts, if you have any missing parts or if the included DVD does not play.

## BOX CONTENTS

PN	DESCRIPTION	QTY
81524.012	LADDER SECTION	3
81524.013	COUPLER PLATES	4
81524.001	RIGHT PLATFORM ASSEMBLY	1
81524.002	LEFT PLATFORM ASSEMBLY	1
81524.008	ARMREST BAR	2
81524.003	BACKREST BAR	1
81524.005	PLATFORM TO ARMREST BAR	2
81524.007	FOOT STOP BAR	1
81524.009	SHORT TENSION BARS	2
81524.004	SEAT BASE	1
81524.006	SIDE SEAT POST	2
81524.014	GUN REST BAR	1
81524.018	FOAM SEAT	1
81524.016	38" CAMO GUN REST PAD	1
81524.011	PLATFORM TO LADDER BAR	2
83054	SUMMIT 4 POINT HARNESS WITH SAFETY STRAP	2

## ACCESSORY PACKET CONTENTS

PN	DESCRIPTION	QTY
81524.010	HARDWARE PACKET A (LADDER)	1
81524.015	HARDWARE PACKET B (GUNREST)	1
81524.022	LONG LADDER RATCHETS	2
81524.020	SHORT LADDER RATCHET	1
81524.021	LONG LADDER TIE DOWN STRAPS	2
81524.019	SHORT LADDER TIE DOWN STRAP	1
81524.017	IN-LINE CABLE TIES	3
81524.024	INSTRUCTIONAL DVD	1
81524.026	HARNESS WRITTEN INSTRUCTIONS	1

## 81524.015 - HARDWARE PACKET B

PN	DESCRIPTION	QTY
10632	2 1/2" CARRIAGE BOLT, 1/4x20	2
10601	1 1/2" BOLT, 1/4x20	2
10612	LOCK NUT, 1/4x20	2
10633	NEOPRENE WASHER	2

## 81524.010 - HARDWARE PACKET A

Throughout these instructions, bolts listed in **RED** are 5/16" thread. Bolts listed in **BLUE** are 1/4" thread.

PN	DESCRIPTION	QTY
10687	3/4" BOLT, 5/16x18	3
10639	2 1/4" BOLT, 5/16x18	10
10608	2 1/2" BOLT, 5/16x18	2
10643	3" BOLT, 5/16x18	2
10617	LOCK NUT, 5/16x18	17
10600	1 1/2" BOLT, 1/4x20	12
10609	2 1/4" BOLT, 1/4x20	8
10612	LOCK NUT, 1/4x20	20

## 81524.015 - HARDWARE PACKET B (continued)

10544	GUN REST ADJUSTMENT BRACKET	4
10660	KNOB	2
81524.027	GUN REST MOUNTING BRACKET	2



## 3 TOOLS REQUIRED

### Tools

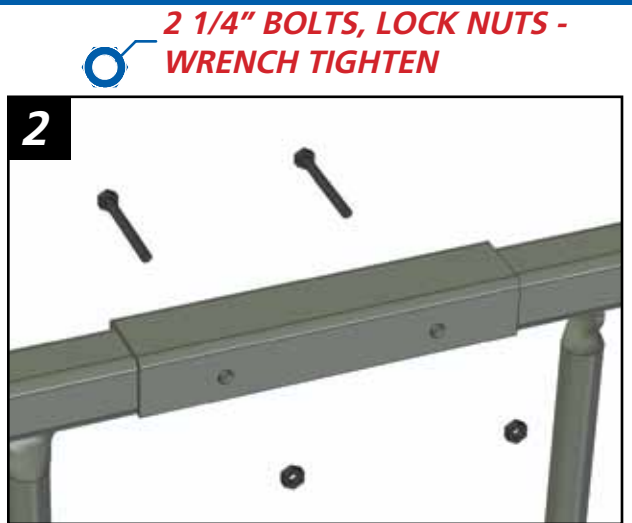
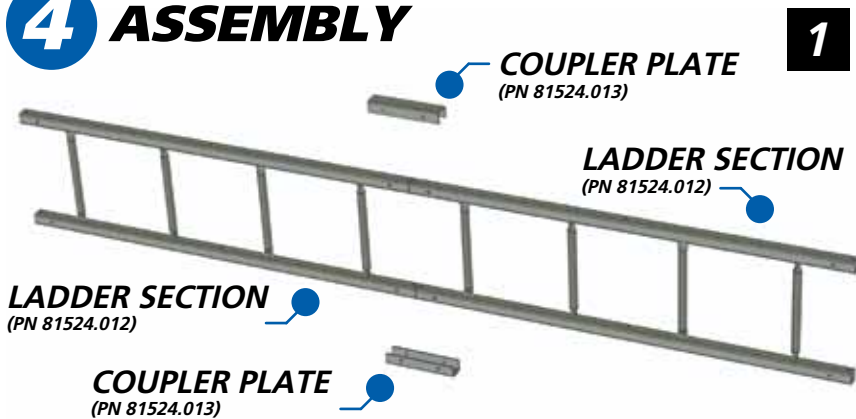
- 7/16" Wrenches and / or Socket / Ratchet
- 1/2" Wrenches and / or Socket / Ratchet
- Knife or Snips

- Assembly can be made easier by the use of a powered ratchet or drill with socket adapter (take care not to overtighten when using power tools to assemble)
- It is recommended that all bolts be sorted by thread count / length prior to assembly.

### Use

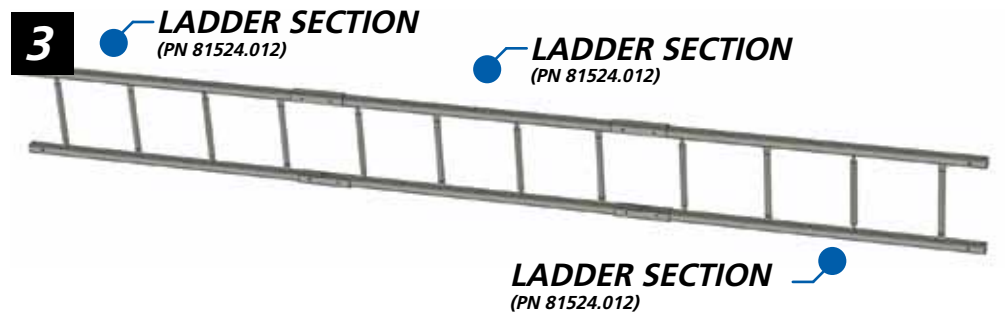
- Gun Rest Bolts / Nuts - 1/4x20 Hardware
- Main Ladder Bolts / Nuts - 5/16x18 Hardware
- Cable Tie Trimming

## 4 ASSEMBLY



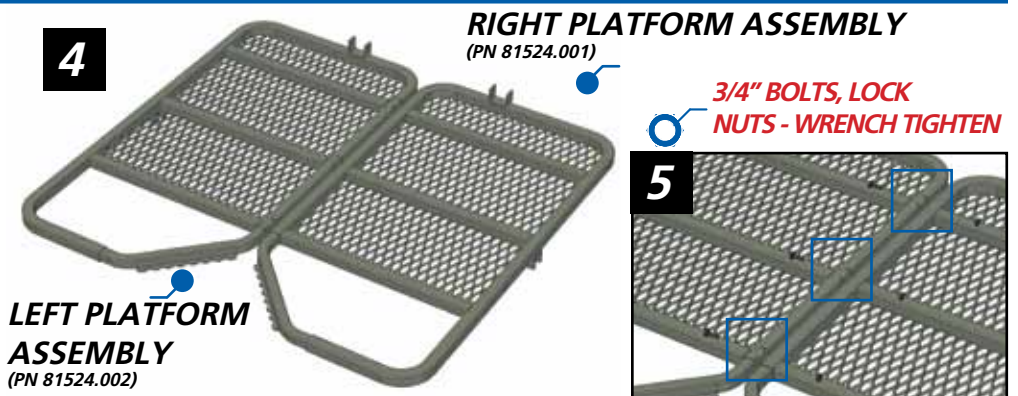
### LADDER COLUMN

1. Position two Ladder Sections and two coupler plates as shown in **figure 1**.
2. Slide the Ladder Sections together and place one coupler plate over the joint lining up the bolt holes.
3. Use two **2 1/4" bolts and lock nuts** per plate to secure (**figure 2**). Repeat for the other side.
4. Repeat for the remaining ladder section. Your completed ladder column should look like **figure 3**.



### PLATFORM

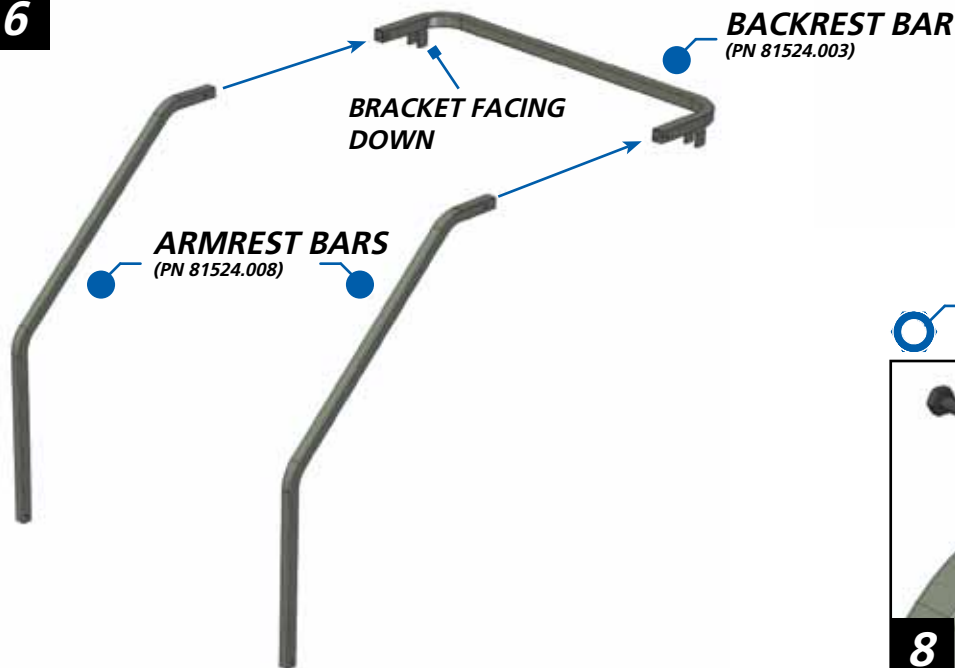
1. Position the Left and Right Platform Assemblies as shown in **figure 4**. Please note the correct orientation. The teeth should face toward each other and the expanded metal should be face down.
2. Align the three brackets as shown in **figure 5**. Secure both platform sections together using three **3/4" bolts and lock nuts**.



## ARMREST

1. Position the two Armrest Bars and the Backrest Bar as shown in **figure 6**.
2. Slide each Armrest Bar into the Backrest Bar and line up the bolt holes as shown in **figure 7**. Secure with a 1 1/2" bolt and lock nut per side as shown in **figure 8**. Run the bolts from the inside out to prevent the threads from snagging on clothing.

6



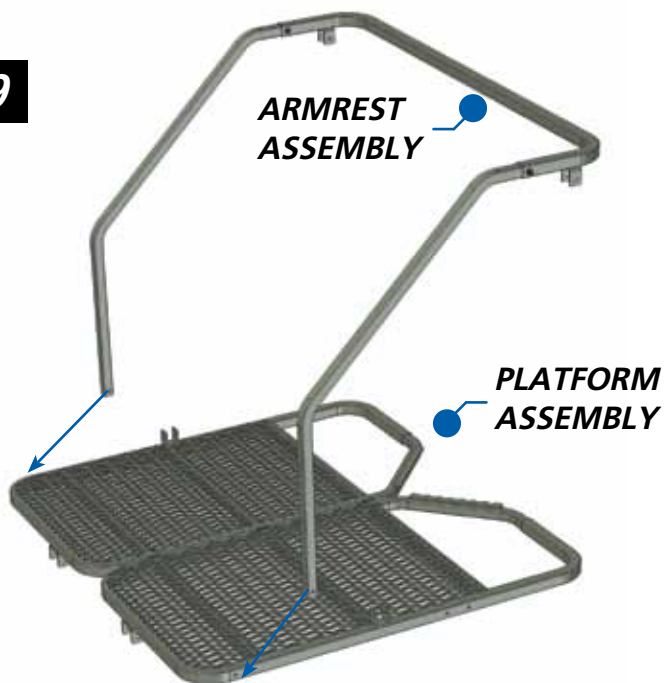
7



1 1/2" BOLT, LOCK NUT  
- WRENCH TIGHTEN



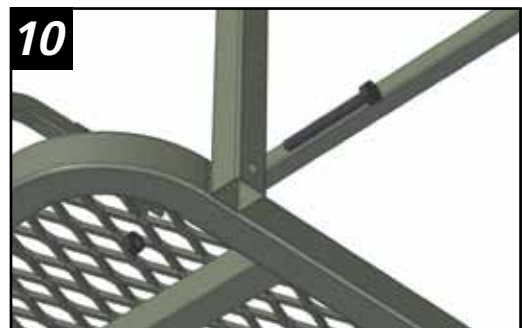
9



## ARMREST (continued)

4. Flip the Platform over so the expanded metal is face up. Position the Armrest assembly as shown in **figure 9**. Line up the holes in the armrest assembly and the platform perimeter tube. Secure each lower joint with one 2 1/4" bolt and lock nut as shown in **figure 10**.

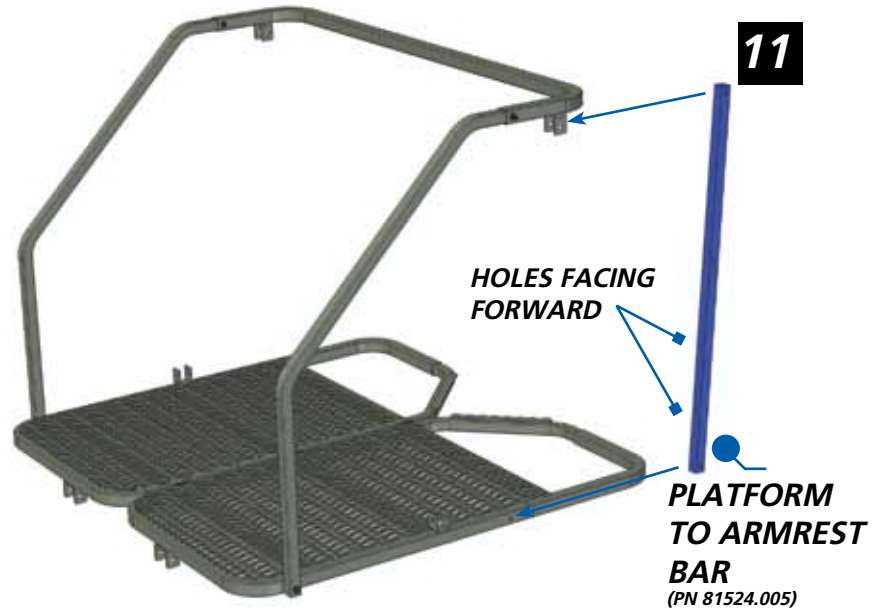
2 1/4" BOLT, LOCK NUT -  
WRENCH TIGHTEN





### ARMREST (continued)

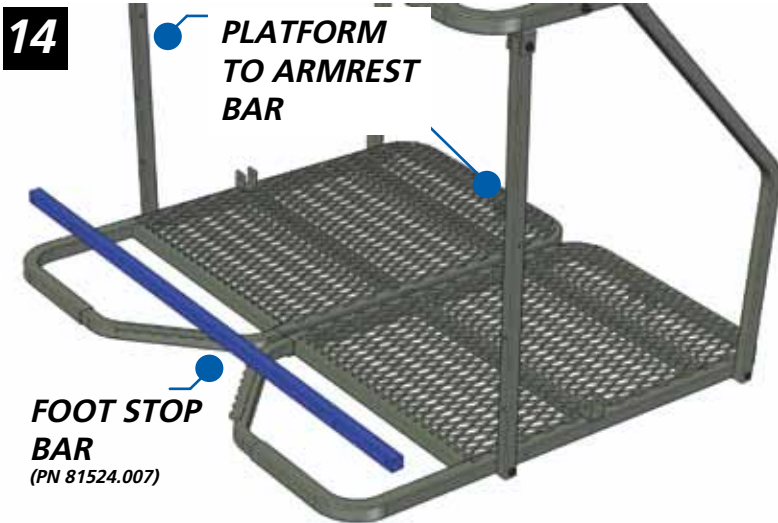
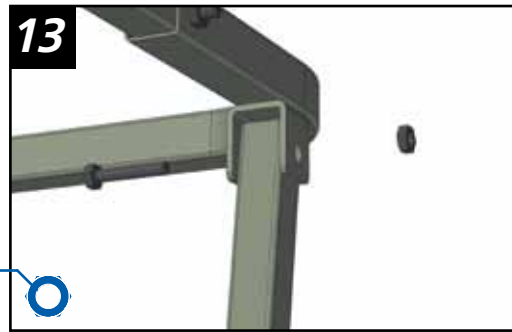
5. Position the Platform to Armrest Bar (in blue) as shown in **figure 11**. Note the correct orientation. The bar should have two pre-punched holes close together toward the bottom.
6. Slide the bar into place. The bottom of the bar should attach to the bolt hole closer to the front of the platform. Secure at the lower hole with one **2 1/4" bolt and lock nut** (**figure 12**). Repeat for the other side.
7. Secure the upper end of the bar between the bracket and use one **1 1/2" bolt and lock nut** to attach (**figure 13**). Run these bolts from the inside out.
8. Repeat for the other side.



**2 1/4" BOLT, LOCK NUT - WRENCH TIGHTEN**



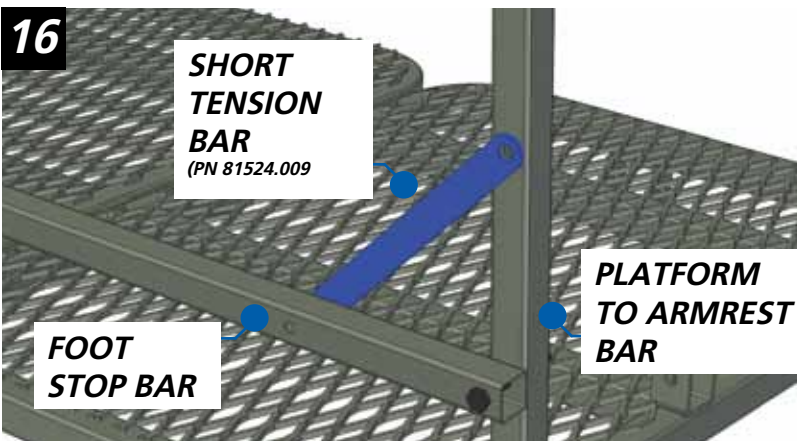
**1 1/2" BOLT, LOCK NUT - WRENCH TIGHTEN**



### SEAT SUPPORT

1. Position the Foot Stop Bar as shown in **figure 14**. The foot stop bar should bolt to the lower two holes on the Platform to Armrest Bars.
2. Secure the bar using two **2 1/4" bolts and lock nuts** as shown in **figure 15**. Leave these hand tight for now.

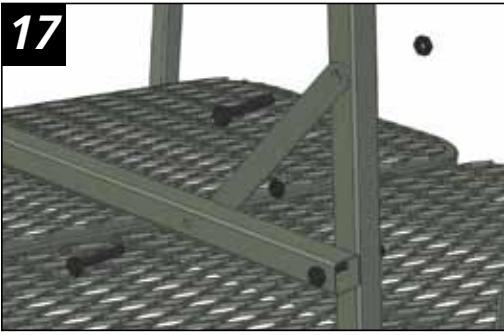
**2 1/4" BOLT, LOCK NUT - HAND TIGHTEN**



3. Position one of the Short Tension Bars as shown in **figure 16**. This bar should run from the front of the Foot Stop Bar to the back of the Platform to Armrest Bar. Secure with two **1 1/2" bolts and lock nuts** as shown in **figure 17**. Leave bolts hand tight for now.
4. Repeat for other side. **Once assembled, go back to step 2 / 3 and wrench tighten all bolts and lock nuts.**

**1 1/2" BOLT, LOCK NUT - WRENCH TIGHTEN**

**17**



**SEAT SUPPORT (continued)**

5. Position the Seat Base as shown in **figure 18**. Secure each side using two 2 1/4" bolts and two lock nuts as shown in **figure 19**.

**18**



**2 1/4" BOLT, LOCK NUT - HAND TIGHTEN**

**19**



6. Position the Side Seat Post (shown in blue) as shown (**figure 20**).

7. Line up the holes and secure at the upper bracket using one 1 1/2" bolt and lock nut as shown in **figure 21**. Secure the post in the lower bracket using one 1 1/2" bolt and lock nut.

8. Repeat for the other Seat Post.

9. Go back and wrench tighten the bolts from **Step 5**.

**20**



**1 1/2" BOLT, LOCK NUT - WRENCH TIGHTEN**

**21**







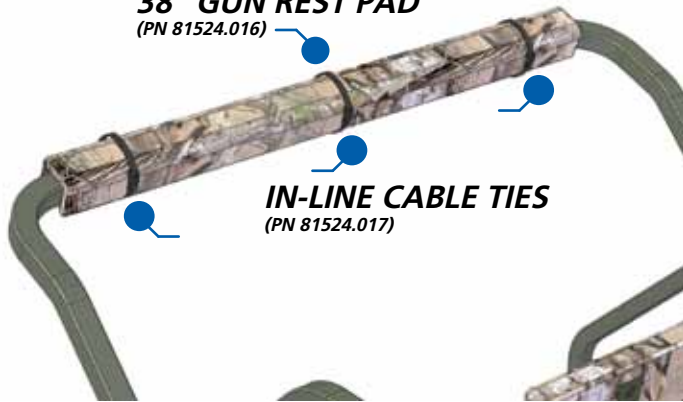
26

**38" GUN REST PAD**

(PN 81524.016)

**IN-LINE CABLE TIES**

(PN 81524.017)



**GUN REST (continued)**

1. Position the 38" pad on the Gun Rest Bar and secure with 3 In-Line Cable Ties (**figure 26**). Please note the Correct and Incorrect ways of using the ties. Use a sharp knife or snips to trim the excess. Rotate the clasp under the pad when they have been trimmed.



27

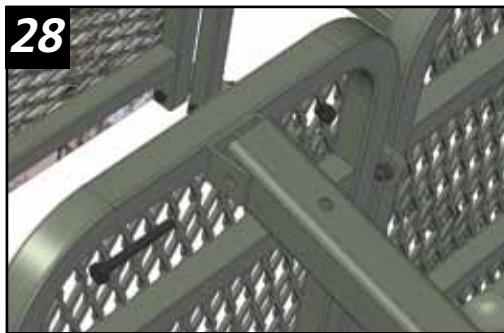


**LADDER COLUMN**

**PLATFORM TO LADDER COLUMN**

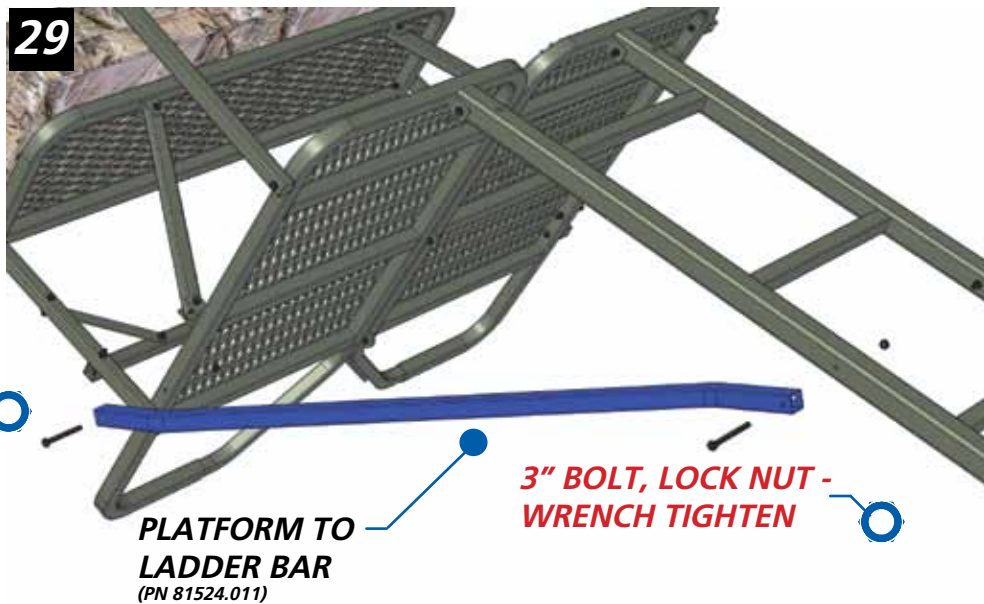
1. Position the completed Ladder Column inside the brackets on the platform as shown in **figure 27**.  
2. Secure with **two 2 1/4" bolts and lock nuts** (**figure 28**).

**2 1/4" BOLT, LOCK NUT - WRENCH TIGHTEN**



28

- 3. Position one of the Platform to Ladder Bars as shown in **figure 29**. Secure the upper bolt at the platform using one **2 1/2" bolt and lock nut**.
- 4. Pivot the ladder column out and line up the lower bolt holes. Secure with a **3" bolt and lock nut** (**figure 29**).
- 5. Repeat for the other side.



29

**2 1/2" BOLT, LOCK NUT - WRENCH TIGHTEN**

**PLATFORM TO LADDER BAR**  
(PN 81524.011)

**3" BOLT, LOCK NUT - WRENCH TIGHTEN**

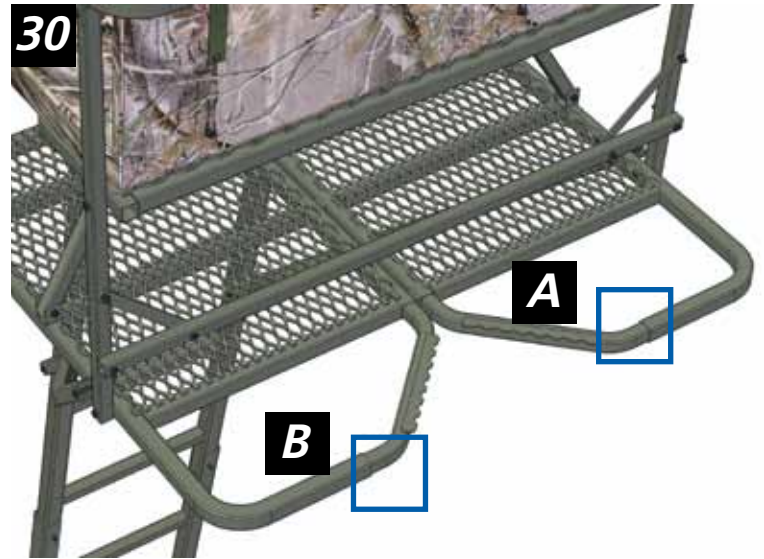


# 5 SETUP AND USE

## LADDER RATCHET STRAPS

1. Attach the Short Ladder Ratchet portion of the platform strap to the perimeter tube at location **A** as shown in **figure 30**. Put the sewn loop around the tube (**figure 31**) and then push the ratchet through the loop (**figure 32**) to create a cinch knot as shown in **figure 33**.

2. Attach the Short Ladder Tie Down Strap to the opposite perimeter tubing at location **B** shown in **figure 30**. Loop the free end of the strap around the tube and then through the sewn loop. Pull to create a cinch knot. This is the platform tie down strap.



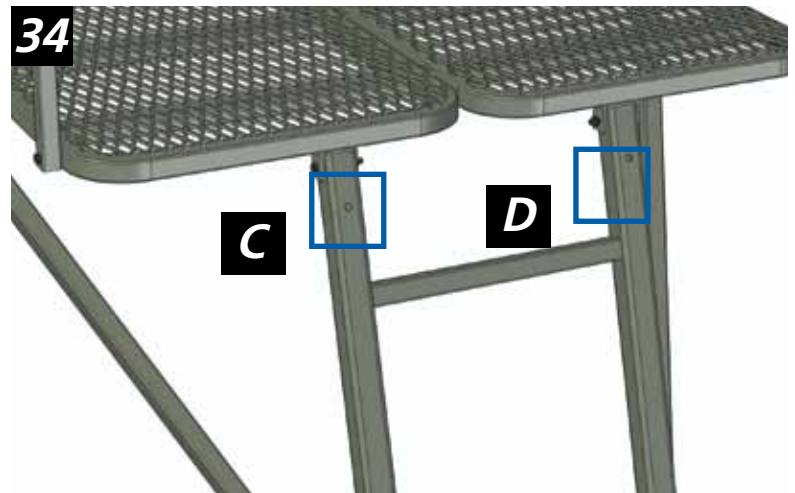
### ⚠ WARNING

Never Wrap The Ratchet Straps Around The Ladder Rungs! Wrap Them Only Around The Ladder Columns! (see **figure 36 and 37**)

3. Attach the two Long Ladder Tie Down straps to the **ladder column** at locations **C and D** in **figure 34**. Use the same procedure from **Step 1** to create a cinch knot for each strap. These are the two main ladder tie down straps.

**NOTE: These straps should run to the inside of the two Platform to Ladder Bars.**

4. Attach the Long Ladder Ratchet Straps to the **bottom ladder column** between the second and third rungs as shown in **figure 37**. Use the same procedure to create a cinch knot.



## SETUP

### ⚠️ WARNING

It is required that at least three people initially set up the ladder stand. Always use two helpers!

### ⚠️ WARNING

This ladder **MUST** be held in place while it is ratcheted tight and while the top ratchet is put into place. Do not use until all straps are securely attached.

### ⚠️ WARNING

Never use this ladder stand on dead, leaning, diseased or loose barked trees. Never use on a utility pole or on trees that have any obstructions that may limit treestand use. Never rely on a tree branch for support.

1. Using helpers, lean the stand up against the tree. It may be helpful to have one person pull on the free ladder straps as two others walk the ladder upright. Make sure that the platform is sitting level to the ground when it is against the tree.
2. **LIGHTLY** bounce on the first rung to seat the ladder column into the ground before use. Have your helpers hold the ladder to stabilize it.
3. With the ladder held in place, take each long strap and bring each back around the tree. Let them cross so they form an X on the back of the tree (**figure 38**).
4. Connect the left strap to the right ratchet buckle and connect the right strap to the left ratchet buckle. Pull the free end through the ratchet strap as shown in **figure 39**. Repeat for both ratchet straps.
5. Do not tighten until both straps are in place. Alternate between each ratchet until they are both tight. Do not overtighten. **Figure 40** shows the completed main strap setup. Note that the two long straps run to the **INSIDE** of the Platform to Ladder Bars.

### ⚠️ WARNING

You **MUST** now put on your safety harness if you have not already done so. **ALWAYS** refer to your harness instructions included with this stand for proper use of your safety harness.

### ⚠️ WARNING

**YOU WILL NOT** be connected to a safety rope / strap while you climb into or out of this treestand. **USE EXTREME CAUTION** while ascending or descending the ladder. **TAKE YOUR TIME** and do not hurry.

### ⚠️ WARNING

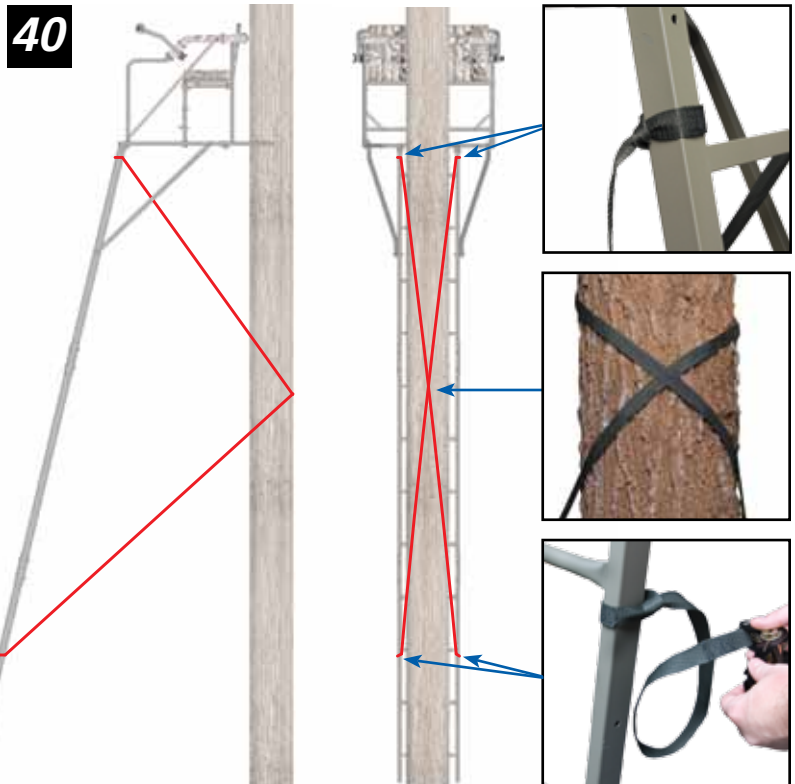
Always maintain three points of contact when you climb the ladder section of this stand. Always lean forward as you climb.

6. Have two of your helpers hold the ladder in place. **Carefully** climb the ladder. Once you are at the top, before stepping onto the platform, **IMMEDIATELY** attach your safety strap and harness to the tree.
7. Secure the Platform Ratchet Strap by running the free end around the tree and then through the ratchet strap. You may have to fold the seat down to reach the strap.



### ⚠️ WARNING

Never jump or bounce on any other part of the treestand in an attempt to force the platform to seat into the tree.



### NOTICE

Summit recommends the use of the SOP Climbing System Accessory with all ladder and hang-on treestands. For more information please visit our website [www.summitstands.com](http://www.summitstands.com) or by calling 256-353-0634.

### ⚠️ WARNING

If two people will be using the stand it is mandatory that they **EACH** use a harness and **EACH** use a separate safety strap / rope. **NEVER** attempt to connect two harnesses to one safety strap / rope.

## USE

### ⚠ WARNING

ALWAYS check every ladder section connection every time you use the stand. If any ladder sections are separating - DO NOT USE THE STAND!

### ⚠ WARNING

NEVER disconnect from your safety harness or safety line while you are using this treestand.

1. Climb up and before stepping onto the platform **IMMEDIATELY** attach your safety strap around the tree above your seating position. **ALWAYS** refer to your harness instructions included with this stand for proper use of your Summit Safety harness and Safety Strap.
2. **The length of the harness tether must be minimized at all times.** It should be adjusted so that it is above the head with no slack (snug) in the sitting position and you should have the minimum amount of slack possible when climbing.
3. The Gun Rest can easily be adjusted by loosening the two knobs on each side, moving the rest, and retightening.

### ⚠ CAUTION

DO NOT use the Gun Rest Bar as a hand hold while climbing into or out of this stand.

## 6 MAINTENANCE AND CARE

The seat on this ladder stand is removable. We recommend it be removed and stored in a dry place when not in use.

The powdercoat finish applied at the factory is very durable and should only need touch ups in areas of heavy wear or accidental impact. The powder coat is applied only to the exterior surfaces of the treestand so it is possible for some surface rust to form inside the stand tubing. This is normal and should not affect the durability or performance of the stand. **This stand is made from Steel and as a result, rust may develop on any uncoated part of the stand** - including any area that has been nicked or scratched to the bare metal.

Should you damage any part of your Summit Treestand, contact your nearest authorized Summit dealer or the factory to obtain the proper corrective action procedure and/or replacement parts for the treestand.

### ⚠ CAUTION

Look for nicks, gouges, cuts, cracks, bends, corrosion or similar damage that can be the result of improper use or accidental damage. For instance, this could occur if someone else used the treestand without knowledge of its proper use, or if the treestand were dropped, hit by a motor vehicle or subject to corrosive conditions, etc.

Summit Treestands have the highest structural integrity by design, material selection and manufacturing techniques, but as its owner, only your continued care will assure trouble free performance. When the above-mentioned guidelines are followed, your Summit Treestand will provide years of successful hunting.

## 7 HARNESS SUSPENSION

It is necessary and very important that someone knows your hunting location and time of return. It is also very important that you carry (on your person) emergency communication devices such as a cell phone, two-way radio, whistle, signal flare or preferably a PLD (Personal Locator Device - FCC approved July, '03). When triggered, a PLD will transmit an emergency signal to local rescue teams identifying your location via satellite GPS coordinates. PLD's may be purchased at Wilderness outfitters or on the internet.

Suspension trauma or blood pooling can occur when suspended motionless in a harness for periods of time. This can lead to unconsciousness and death. A suspension relief strap is furnished with your harness. Read your harness instructions to assure that you know how to use it.

### ⚠ WARNING

If you have to hang in the tree before help arrives, you need to exercise your legs by pushing off from the tree or by using the enclosed suspension relief strap. See the treestand harness instructions and the enclosed instructions for more information.

Self extraction may be necessary in the unfortunate situation that (A) no one knows your location, (B) your communication efforts are exhausted, (C) you are confident that you have the strength, dexterity and ability to perform self-extraction and (D) you decide this is your "absolute last resort". It is recommended to carry a device to assist with this self-extraction. Simple devices such as screw-in steps or a rope "Tree Descender" (available from Summit) will allow you to remove the weight from your harness. This may enable you to return to the treestand/ladder/climbing steps or slowly descend the tree.

Several optional products/systems are available that offer self-recovery or self extraction from a fall when suspended in a harness. Returning to the ground obviously also relieves suspension trauma and some systems automatically descend the user while others allow user control. If one of these products/systems is selected for use as an additional safety precaution against prolonged suspension, be sure to follow the manufacturers' directions for safe use.



## 8 LIMITED WARRANTY

### (A) Warranty

Summit Treestands, LLC (Summit) warrants to the original retail purchaser that all products manufactured by it are free from defects in material and manufacture at the time of shipment for sixty (60) months from the date of purchase. Summit will repair or replace any part found defective if the unit claimed to be defective shall be returned to Summit, postage prepaid, within the warranty period.

This warranty shall not apply to any product which has been subjected to misuse; misapplication; neglect (including but not limited to improper maintenance); accident; improper installation; modification (including but not limited to use of unauthorized parts or attachments); adjustment or repair. THE FOREGOING IS IN LIEU OF ALL OTHER WARRANTIES, WHETHER EXPRESS OR IMPLIED (INCLUDING THOSE OF MERCHANTABILITY AND FITNESS OF ANY PRODUCT FOR A PARTICULAR PURPOSE), AND OF ANY OTHER OBLIGATION OF LIABILITY ON THE PART OF THE COMPANY.

### (B) Limitation of Liability

It is expressly understood that Summit's liability for its products, whether due to breach of warranty, negligence, strict liability, or otherwise, is limited to the repair of the product, as stated above, and Summit will not be liable for any other injury, loss, damage, or expense, whether direct or consequential, including but not limited to loss of use, income, profit, or damage to material, arising in connection with the sale, installation, use of, inability to use, or the repair or replacement of Summit's products.

Summit reserves the right to make alterations or modifications in its products at any time, which in its opinion, may improve the performance and efficiency of the product. It shall not be obligated to make such alterations or modifications to products already in service.

Please take the time to fill out the warranty card online at <http://www.summitstands.com/warranty> or fill out and mail in the enclosed warranty card.

## 9 PRODUCT VIEWS



© 2012 Summit Treestands, LLC  
715 Summit Dr. Decatur, AL 35601  
(256) 353-0634  
[info@summitstands.com](mailto:info@summitstands.com)