



Outlook Ladder Treestand

PN 82074

© 2013 Summit Treestands, LLC
715 Summit Dr. Decatur, AL 35601
(256) 353-0634
info@summitstands.com
www.summitstands.com



You **MUST** also view the enclosed DVD **BEFORE** using your new treestand!!

WEIGHT LIMIT

SINGLE USER
300 LBS. X 1 TOTAL*

DO NOT EXCEED THIS LIMIT!
(* Includes all gear)

Stand minimum and maximum tree size: **8-20" diameter**



You must fully read, understand and follow these warnings and instructions (written and video)! Failure to follow these instructions may cause serious injury or death!!

- **WHEN HUNTING FROM A TREESTAND FALLS CAUSING INJURY OR DEATH CAN OCCUR ANY TIME AFTER LEAVING THE GROUND!** FOR THOSE REASONS ALWAYS USE A FALL ARREST SYSTEM (FAS) COMPRISING A FULL BODY HARNESS AT ALL TIMES AFTER LEAVING THE GROUND. YOU MUST STAY CONNECTED AT ALL TIMES AFTER LEAVING THE GROUND WHILE USING ANY ELEVATED HUNTING PLATFORM. SINGLE SAFETY BELTS AND CHEST HARNESSES ARE NO LONGER ALLOWED AND SHOULD NEVER BE USED. IF YOU ARE NOT USING A FULL BODY HARNESS THAT IS PROTECTING YOU FROM A FALL, DO NOT LEAVE THE GROUND!
- READ AND UNDERSTAND ALL OF THE MANUFACTURER'S WARNINGS AND INSTRUCTIONS AND USE ALL SAFETY DEVICES PROVIDED. CONTACT SUMMIT TREESTANDS FOR ANY QUESTIONS. FAILURE TO DO SO COULD RESULT IN INJURY OR DEATH!
- A SIGNAL DEVICE SUCH A MOBILE PHONE, RADIO, WHISTLE, SIGNAL FLARE OR PERSONAL LOCATOR DEVICE (PLD) MUST BE ON YOUR PERSON AND READILY AVAILABLE AT ALL TIMES! ALWAYS INFORM SOMEONE OF YOUR HUNTING LOCATION, WHERE THE TREESTAND WILL BE LOCATED AND THE EXPECTED DURATION OF THE HUNT!
- DO NOT USE ANY TREESTAND UNLESS YOU ARE IN GOOD PHYSICAL SHAPE AND HAVE NO PHYSICAL LIMITATIONS OR MEDICAL CONDITIONS WHICH MAY PREVENT YOU FROM SAFELY USING THIS PRODUCT. ALWAYS CONSULT A PHYSICIAN IF YOU HAVE ANY QUESTIONS ABOUT YOUR PHYSICAL ABILITY TO USE THIS PRODUCT.
- NEVER USE A TREESTAND WHILE TAKING DRUGS, ALCOHOL OR CERTAIN PRESCRIPTION DRUGS! ALWAYS CONSULT A PHYSICIAN IF YOU HAVE ANY QUESTION ABOUT TAKING SPECIFIC MEDICATIONS AND USING THIS PRODUCT!
- NEVER USE A TREESTAND DURING INCLEMENT WEATHER SUCH AS RAIN, LIGHTNING, WINDSTORMS OR ICY CONDITIONS! END YOUR HUNT AND RETURN TO THE GROUND IF ANY OF THESE INCLEMENT CONDITIONS ARISE.
- NEVER USE A TREESTAND WHEN FEELING ILL, NAUSEOUS, DROWSY OR DIZZY!
- BE WELL RESTED AND NEVER HURRY. HURRYING CAUSES ACCIDENTS!
- CHECK EVERY LADDER SECTION CONNECTION EVERY TIME YOU USE THE STAND. IF ANY LADDER SECTIONS ARE SEPARATING - DO NOT USE THE STAND!
- NEVER USE A TREESTAND ON A DEAD, LEANING, DISEASED, LOOSE BARKED TREE, ON A UTILITY POLE OR ON TREES THAT HAVE ANY OBSTRUCTIONS THAT MAY LIMIT TREESTAND USE! NEVER RELY ON A TREE BRANCH FOR SUPPORT!
- CHECK THE GROUND UNDER THE LADDER STAND TO MAKE SURE IT IS FIRM AND LEVEL. SLOPING GROUND OR AN UNEVEN SURFACE (ONE LADDER SECTION ON A ROCK FOR EXAMPLE) CAN CAUSE YOUR STAND TO TILT OR SHIFT AS YOU CLIMB.
- ALWAYS MAINTAIN THREE POINTS OF CONTACT WHEN YOU CLIMB THE LADDER SECTION OF THIS STAND!
- NEVER JUMP OR BOUNCE ON A TREESTAND TO SECURE IT TO THE TREE!
- PULL UP A BOW, BACKPACK, FIREARM OR OTHER EQUIPMENT ONLY AFTER BEING SECURE IN THE TREESTAND. FIREARMS MUST BE PULLED UP UNLOADED, CHAMBER OPEN AND MUZZLE DOWN!
- NEVER MODIFY YOUR STAND IN ANY WAY BY MAKING REPAIRS, REPLACING PARTS, OR ALTERING ADDING OR ATTACHING ANYTHING TO IT EXCEPT IF EXPLICITLY AUTHORIZED IN WRITING BY THE MANUFACTURER!
- PRACTICE INSTALLING, ADJUSTING AND USING YOUR TREESTAND AT GROUND LEVEL PRIOR TO USING IT AT ELEVATED POSITIONS!
- INSTRUCTIONS (WRITTEN AND VIDEO) SHOULD BE KEPT IN A SAFE PLACE AND REVIEWED AT LEAST ANNUALLY. IT IS THE RESPONSIBILITY OF THE TREESTAND OWNER TO FURNISH THE COMPLETE INSTRUCTIONS TO ANY PERSON WHO BORROWS OR PURCHASES THE TREESTAND! THIS SUMMIT TREESTAND IS DESIGNED TO BE USED AS A COMPLETE SYSTEM - NEVER LOAN OR SELL ONLY A PORTION OF THIS TREESTAND SYSTEM.
- BEFORE EACH USE OF YOUR SUMMIT TREESTAND, ALWAYS INSPECT THE TREESTAND AND HARNESS FOR ANY DAMAGE, CRACKS, TEARS, CABLE WEAR OR ABRASION THAT MAY HAVE OCCURRED IN TRANSPORTING / STORING YOUR TREESTAND. DO NOT USE IF ANY DAMAGE IS FOUND! CONTACT CUSTOMER SERVICE FOR THE APPROPRIATE REPAIR / REPLACEMENT PROCEDURE!
- DO NOT LEAVE YOUR TREESTAND OUTDOORS WHEN IT IS NOT BEING USED! ANY STAND TUBING THAT IS ALLOWED TO FILL WITH RAINWATER AND FREEZE WILL RUPTURE OR BURST - DO NOT USE YOUR TREESTAND IF THIS OCCURS!

1 INDEX

GENERAL WARNINGS AND PRECAUTIONS, STAND WEIGHT LIMITS
 SECTION 1 - INDEX
 SECTION 2 - PARTS LIST
 SECTION 3 - TOOLS REQUIRED
 SECTION 4 - ASSEMBLY
 SECTION 5 - SETUP AND USE
 SECTION 6 - MAINTENANCE AND CARE
 SECTION 7 - HARNESS SUSPENSION INFORMATION
 SECTION 8 - LIMITED WARRANTY INFORMATION
INSTRUCTIONS EN FRANÇAIS

PG 1
 PG 2
 PG 2
 PG 2
 PG 3 - 6
 PG 7 - 10
 PG 10
 PG 10
 PG 11
PG 13 - 24

2 PARTS LIST

Please call 256-353-0634 or visit <http://www.summitstands.com/contactus/> if you have any questions, if you need replacement parts, if you have any missing parts or if the included DVD does not play.

BOX CONTENTS

PN	DESCRIPTION	QTY
82074.2L	LEFT PLATFORM ASSEMBLY	1
82074.2R	RIGHT PLATFORM ASSEMBLY	1
82074.3	REAR SEAT SUPPORT	2
82074.5L	LEFT ARMREST BAR	1
82074.5R	RIGHT ARMREST BAR	1
82074.4	FRONT ARMREST BAR	2
82074.9	GUNREST	1
82074.6	FRONT SEAT SUPPORT	2
82074.7	SEAT ASSEMBLY	1
82074.8	CROSS TENSION BARS	2
82074.11	TOP LADDER SECTION	1
82074.12	MIDDLE LADDER SECTION	1
82074.13	BOTTOM LADDER SECTION	1
82074.10	LADDER SUPPORT BARS	2
82074.14	STABILIZER MALE SECTION	1
82074.15	STABILIZER FEMALE SECTION	1
82074.17	FOAM SEAT	1
	ACCESSORY PACKET	1

ACCESSORY PACKET CONTENTS

PN	DESCRIPTION	QTY
	HARDWARE PACKET	1
82074.350	PLATFORM RATCHET WITH LOOP END	1
82074.355	PLATFORM SHORT STRAP FOR RATCHET	1
82074.360	SHORT LADDER STABILIZER STRAP WITH CAM BUCKLE	2
82074.365	LONG LADDER STABILIZER STRAP WITH LOOP END	2
82074.870	INSTRUCTIONAL DVD	1
82074.880	4 POINT HARNESS WITH TREE STRAP AND INSTRUCTIONS	1

82074.890 - HARDWARE PACKET

5/16X18 HARDWARE LISTED IN RED THROUGHOUT BOOKLET
 1/4X20 HARDWARE LISTED IN BLUE THROUGHOUT BOOKLET

PN	DESCRIPTION	QTY
SU10687	3/4" BOLT, 5/16x18	3
SU10685	2" BOLT, 5/16x18	2
SU10610	2 3/4" BOLT, 5/16x18	4
SU10617	LOCK NUT, 5/16x18	9
SU10600	1 1/2" BOLT, 1/4x20	8
SU10601	1 3/4" BOLT, 1/4x20	13
SU10609	2 1/4" BOLT, 1/4x20	6
SU10612	LOCK NUT, 1/4x20	27
	1/4" WIRE LOCK PIN	1

3 TOOLS REQUIRED

Tools

- 7/16" Wrenches and / or Socket / Ratchet
- 1/2" Wrenches and / or Socket / Ratchet

Use

Main Ladder Bolts / Nuts - 1/4x20 hardware
5/16x18 hardware

- Assembly can be made easier by the use of a powered ratchet or drill with socket adapter (take care not to overtighten when using power tools to assemble)
- It is recommended that all bolts be sorted by thread count / length prior to assembly.

4 ASSEMBLY

PLATFORM

1. Position the Left and Right Platform sections as shown in **figure 1**.
2. Slide the sections together and secure using three 3/4" bolts and lock nuts as shown in **figure 2**.

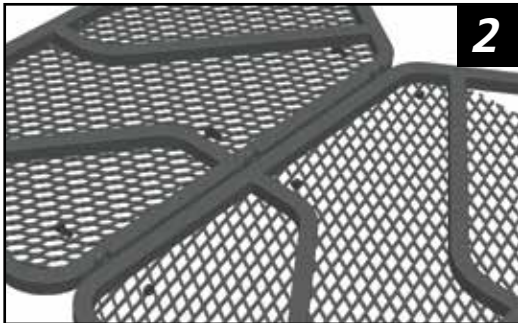
Hardware Needed			
5/16X18 - 3/4" Bolt	- 3	1/4X20 - 1 3/4" Bolt	- 2
5/16X18 - Lock Nut	- 3	1/4X20 - 2 1/4" Bolt	- 2
1/4X20 - 1 1/2" Bolt	- 4	1/4X20 - Lock Nut	- 8

LEFT PLATFORM
(PN 82074.2L)



1

3/4" BOLTS, LOCK NUTS - WRENCH TIGHTEN

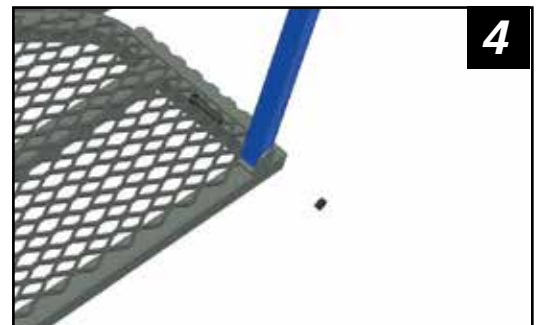
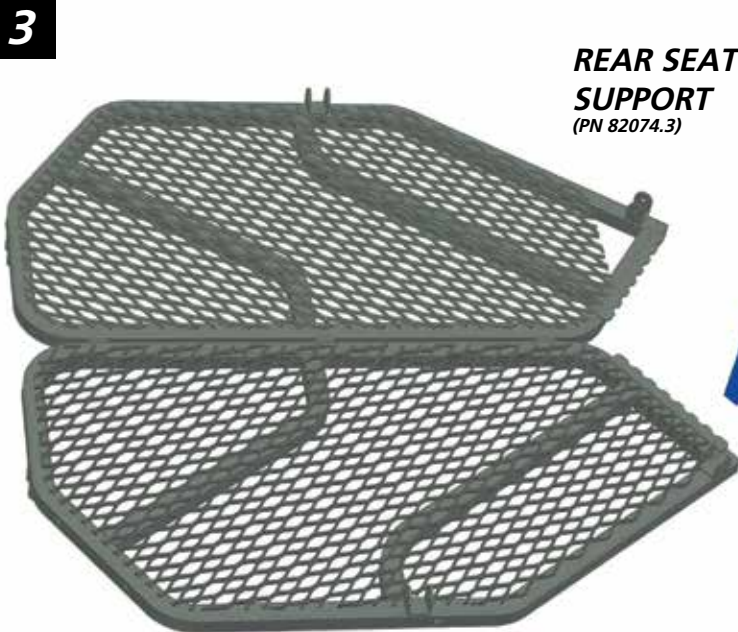


REAR SEAT SUPPORT
(PN 82074.3)



3. Flip the Platform Assembly over. Position one of the Rear Seat Supports over the rear U Bracket as shown in **figure 3**.
4. Secure using one 1 3/4" bolt and lock nut as shown in **figure 4**. Leave this bolt hand tight for now.

1 3/4" BOLT, LOCK NUTS - HAND TIGHT



5**LEFT ARMREST BAR**
(PN 82074.5L)**PLATFORM (continued)**

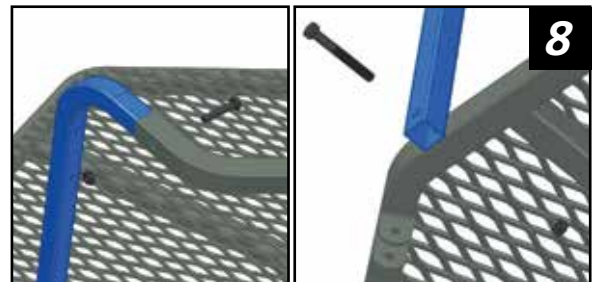
- Position the Left Armrest Bar as shown in **figure 5**.
- Slide the bar down on top of the Rear Seat Support and line up the holes. Secure using one 1 1/2" bolt and lock nut as shown in **figure 6**. Leave these hand tight for now.

1 1/2" BOLT, LOCK NUTS - HAND TIGHT**6****FRONT ARMREST BAR**
(PN 82074.4)**7**

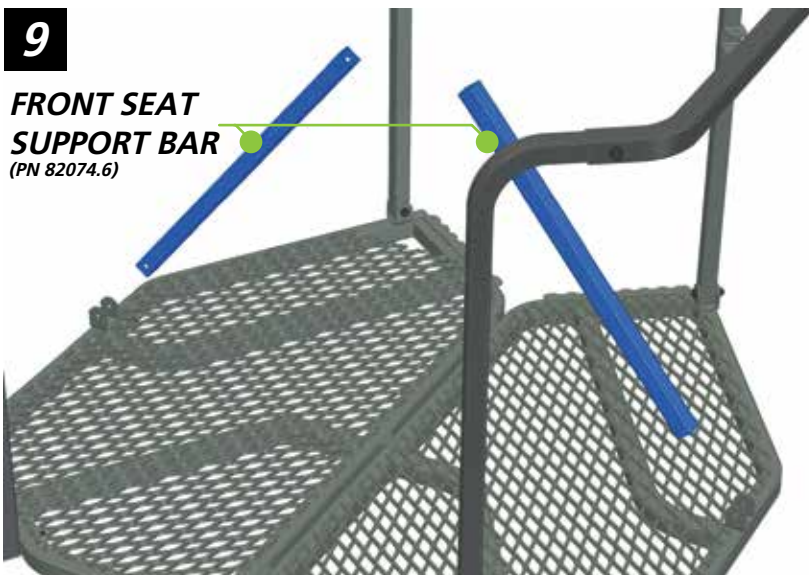
- The Front Armrest Bar attaches next. Slip it into the end of the Left Armrest Bar and align the lower hole to the Platform as shown in **figure 7**.

- Secure using one 1 1/2" bolt and lock nut at the upper location and one 2 1/4" bolt and lock nut at the lower location. Leave these hand tight for now. **See figure 8.**

- Repeat Steps 3 - 8 for the other side.

1 1/2" | 2 1/4" BOLTS, LOCK NUTS - HAND TIGHT**8****Hardware Needed**

1/4X20 - 1 1/2" Bolt	- 4		
1/4X20 - 1 3/4" Bolt	- 6	1/4X20 - Lock Nut	- 10

9**FRONT SEAT SUPPORT BAR**
(PN 82074.6)**SEAT SUPPORT**

- Position both Front Seat Support Bars as shown in **figure 9**.
- Position the bars between the welded on U brackets and secure using one 1 3/4" bolt and lock nut per side as shown in **figure 10**. Leave these hand tight for now.

1 3/4" BOLTS, LOCK NUTS - HAND TIGHT**10**

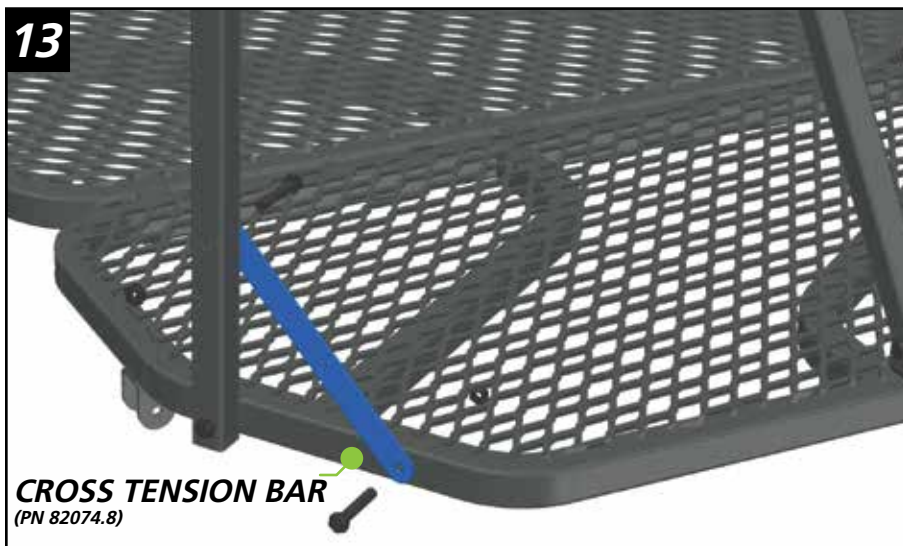
11**SEAT SUPPORT**
(PN 82074.7)

1 1/2" BOLTS, LOCK NUTS - HAND TIGHT

SEAT SUPPORT (continued)

3. Attach the Seat Support next. (*see figure 11*) Position the rear inside the welded brackets on both Rear Seat Support Bars.
4. Pivot the two Front Seat Support Bars up into the bracket on the Seat Support.
5. Secure all four locations using 1 3/4" bolts and lock nuts as shown in *figure 12*. Leave these hand tight for now.

1 3/4" BOLTS, LOCK NUTS - HAND TIGHT

**12****13****CROSS TENSION BAR**
(PN 82074.8)

6. The Cross Tension Bars are installed next. Position one between the back of the Front Armrest Bar and the holes on the front of the Platform shown in *figure 13*.
7. Secure using two 1 1/2" bolts and lock nuts.
8. Repeat Steps 6 - 7 for the other side.

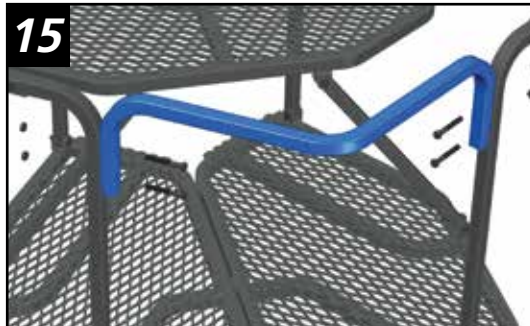
Hardware Needed

- | | |
|----------------------|-----|
| 1/4X20 - 2 1/4" Bolt | - 4 |
| 1/4X20 - Lock Nut | - 4 |

GUNREST

1. Position the Gun Rest as shown in *figure 14*.
2. Line up the four bolt holes and attach using 2 1/4" bolts with lock nuts. Leave these hand tight for now. (*see figure 15*)

2 1/4" BOLTS, LOCK NUTS - HAND TIGHT

14**GUNREST BAR**
(PN 82074.9)**15**

LADDER SUPPORT

1. Position the Top Ladder Section as shown in **figure 16**. The ladder will slide into the welded brackets on the Platform. The Top Ladder Section has two couplers welded on and does not have a U Bracket.
2. Attach using two **2" bolts and lock nuts** as shown in **figure 17**. Leave these hand tight for now.

Hardware Needed			
5/16X18 - 2" Bolt	- 2	5/16X18 - Lock Nut	- 6
5/16X18 - 2 3/4" Bolt	- 4		

16

TOP LADDER SECTION
(PN 82074.11)

2" BOLTS, LOCK NUTS -
HAND TIGHT



COMPLETED PLATFORM
/ SEAT ASSEMBLY

LADDER
SUPPORT
BAR
(PN 82074.10)

18

2 3/4" BOLTS, LOCK NUTS -
HAND TIGHT

19

3. Attach the Ladder Support Bars next. These bars run from the Ladder Column to the Platform as shown in **figure 18**.
4. Secure the Support Bar to the Platform using **2 3/4" bolts and lock nuts** at each location. (see **figure 19**)
5. Repeat Steps 3 - 4 for the other side.

FINAL ASSEMBLY

1. **GO BACK AND WRENCH TIGHTEN ALL BOLTS FROM PAGES 3 - 5. DOUBLE CHECK BOLTS TO ENSURE THEY ARE PROPERLY FASTENED!**

LADDER COLUMN

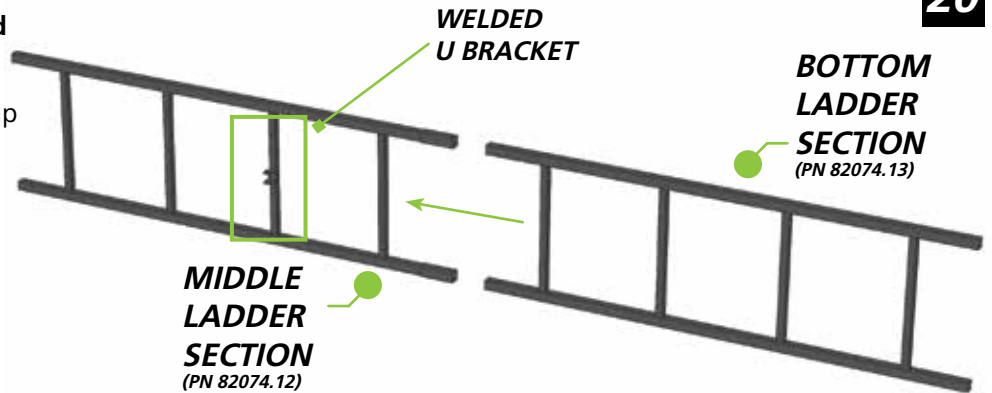
1. Position the Bottom Ladder Section and Middle Ladder Section as shown in **figure 20**. The welded U bracket faces the tree when fully assembled.

Hardware Needed	
1/4X20 - 1 3/4" Bolt	- 4
1/4X20 - Lock Nut	- 4

20

The Bottom Ladder Section has no welded couplers.

2. Slide the Ladder Sections together, line up the bolt holes and use one 1 3/4" bolt and lock nut to secure each side (see **figure 21**).

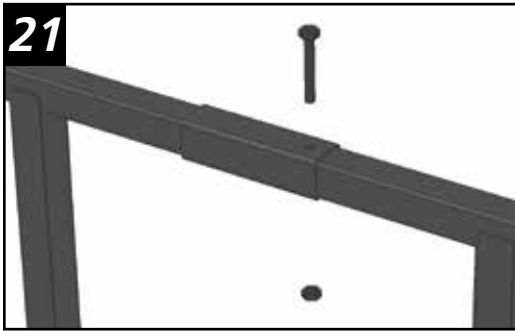


1 3/4" BOLTS, LOCK NUTS -
WRENCH TIGHTEN

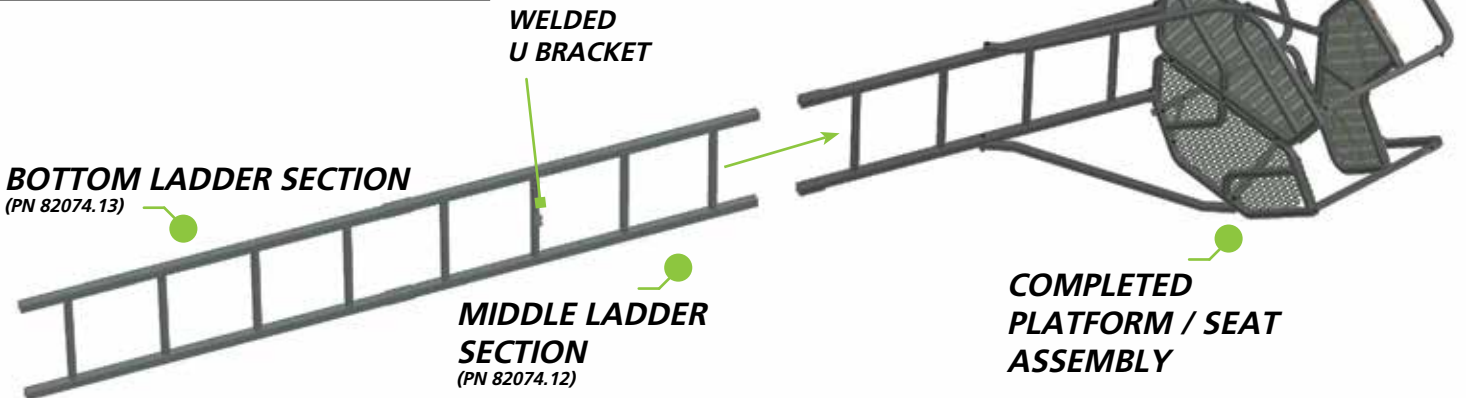
LADDER COLUMN (continued)

3. Slide the completed Bottom and Middle ladder sections into the Top Ladder Section as shown in **figure 22**.

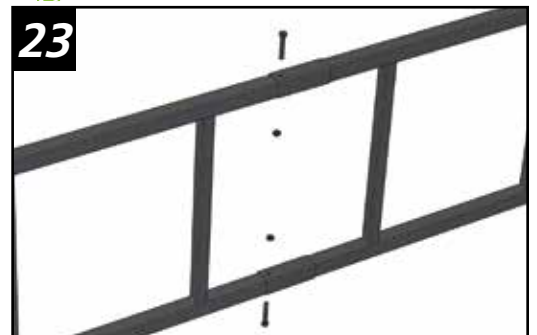
4. Secure using two 1 3/4" bolts and lock nuts. (See **figure 23**)



22



1 3/4" BOLTS, LOCK NUTS -
WRENCH TIGHTEN

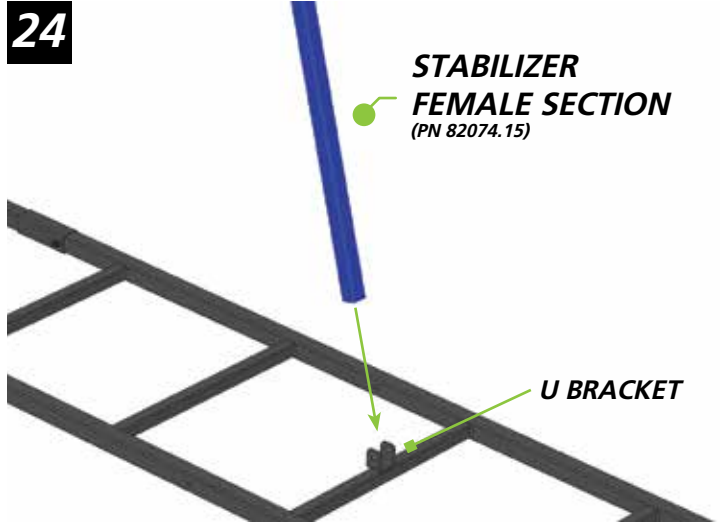


STABILIZER BAR

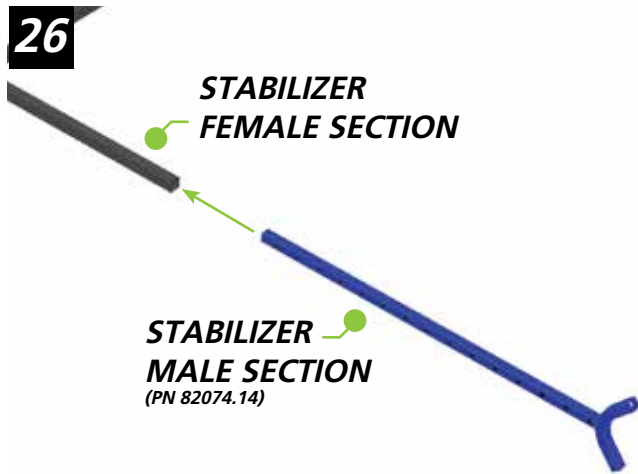
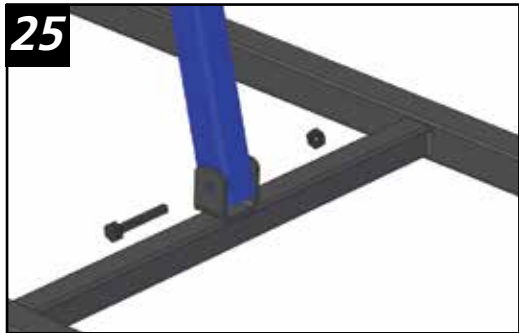
1. Position the Female Section of the Stabilizer bar as shown in **figure 24**. The Stabilizer bar will attach to the welded U Bracket. Slide the bar into the bracket and line up the hole.
2. Secure using one 1 3/4" bolt and lock nut. (see **figure 25**) Do not overtighten.
3. Position the Male Stabilizer bar as shown (**figure 26**). Line up the bolt holes and secure using the Wire Lock pin as shown in **figure 27**. The Stabilizer bar has several holes to accommodate different tree sizes.

Hardware Needed

1/4X20 - 1 3/4" Bolt	- 1	Wire Lock Pin	-1
1/4X20 - Lock Nut	- 1		



1 3/4" BOLT, LOCK NUT - WRENCH TIGHTEN



1/4" WIRE LOCK PIN



FOAM SEAT / PADS

1. Position the Foam Seat inside the frame as shown in **figure 28**.
2. Wrap the Velcro straps around the Seat Support to attach.
3. Wrap the three included pads around the frame in the green areas as shown in **figure 28**. Pads can be repositioned to fit you needs.

NOTICE

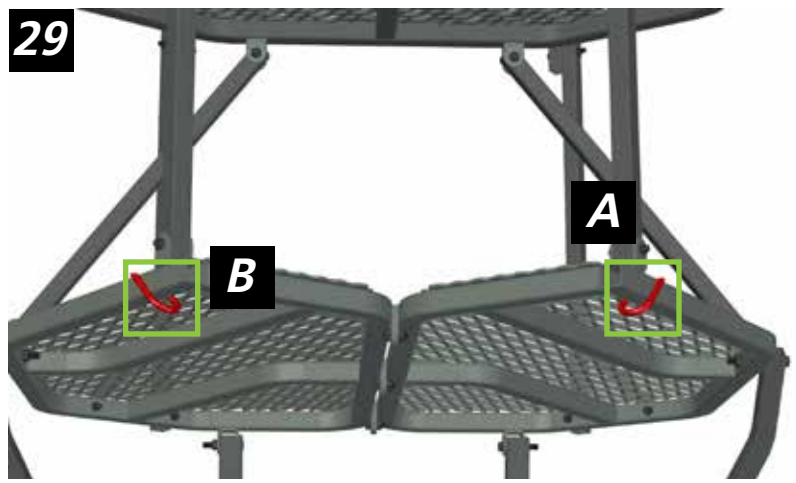
The foam seat included with this treestand is removable for storage. **DO NOT** leave your stand outdoors when it is not being used.



5 SETUP AND USE

PLATFORM RATCHET STRAP

1. Attach the Ratchet with Loop End to the **yoke tube** at location **A** as shown in **figure 29**. Put the sewn loop around the tube (**figure 30**) and then push the ratchet through the loop (**figure 31**) to create a cinch knot as shown in **figure 32**.
2. Attach the Short Strap for the Ratchet to the opposite **yoke tubing** at location **B** shown in **figure 29**. Loop the free end of the strap around the tube and then through the sewn loop. Pull to create a cinch knot. This is the platform tie down ratchet strap.



LADDER STABILIZER STRAPS (CAM BUCKLE)

1. Attach the two Long Stabilizer Straps to the **yoke tube** at locations **A and B** in **figure 29**. Use the same procedure from **Step 1** above to create a cinch knot for each strap. These are the two main ladder stabilizer straps.
2. Attach the Cam Buckle end of each strap to **the bottom ladder column** between the second and third rungs as shown in **figure 33**. Use the same procedure to create a cinch knot.
3. Before setup, run the Long Stabilizer Straps to the Cam Buckles and thread them as shown in **figure 34**. Pull the free end on both straps until they are tight.

These two straps provide support to the ladder column while you are setting your stand up and double as Stabilizer straps once the stand is in place.

⚠ WARNING
Never Wrap The Stabilization Straps Around The Ladder Rungs! Wrap Them Only Around The Ladder Columns! (see figure 33)



SETUP

⚠️ WARNING

It is required that at least three people initially set up the ladder stand. Always use two helpers!

⚠️ WARNING

Check the ground under the ladder stand to make sure it is firm and level.

⚠️ WARNING

Never use this ladder stand on dead, leaning, diseased or loose barked trees. Never use on a utility pole or on trees that have any obstructions that may limit treestand use. Never rely on a tree branch for support.

⚠️ WARNING

Always ensure the Stabilizer straps run from the upper attachment point to the ladder column BEFORE setup.

1. Position the ladder stand flat on the ground in front of an appropriate tree. The bottom ladder section should be placed approximately 3 feet from the base of the tree.
2. Using at least three adults, lean the ladder stand up into an upright position until the teeth make contact with the tree (see figure 35).
3. Pull the base of the ladder stand out until the platform is sitting level to flat ground as shown in figure 36.
4. While your helpers hold the stand securely, **LIGHTLY** bounce on the first rung to seat the ladder column into the ground.
5. Remove the wire lock pin from the Ladder Stabilizer bar shown in previous figure 27. Slide the Male Section of the stabilizer bar out until it makes contact with the tree as shown in figure 37. The stabilizer bar should be positioned so that it is perpendicular (90 degree angle) from the ladder column as shown in figure 38. Reinsert the wire lock pin.

⚠️ WARNING

Do not force the Ladder Stabilizer bar from side to side to make it contact the tree.

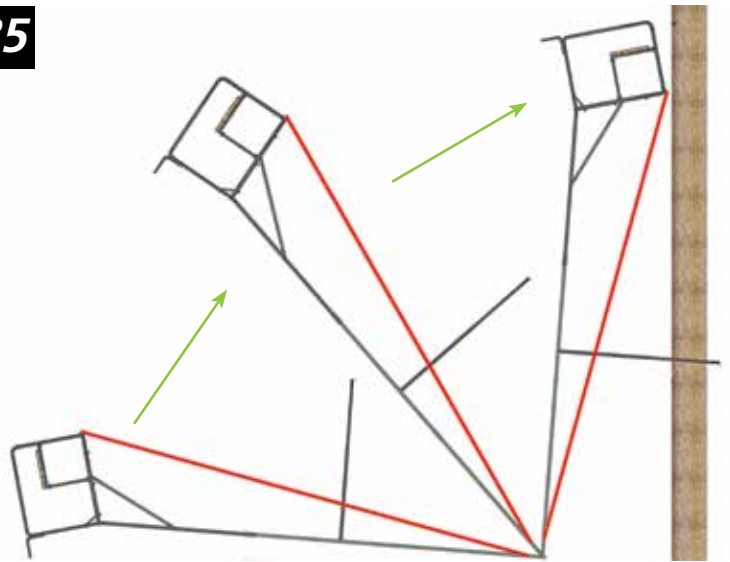
6. Run the attached rope from one side of the Stabilizer bar, around the tree and tie it off to the other side of the Stabilizer bar.

NOTICE

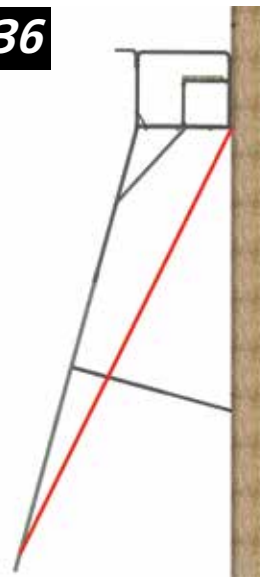
The Stabilizer bar should lean down slightly when properly attached. This is normal.

7. With the ladder in place and secured by your helpers, unbuckle the two Long Stabilizer straps. Take the long straps and bring them around the back of the tree so that they form an X (figure 39).
8. Connect the left strap to the right cam lock buckle and connect the right strap to the left cam lock buckle. Pull the free end through the cam buckle as shown in figure 34. Repeat for both cam buckle straps.

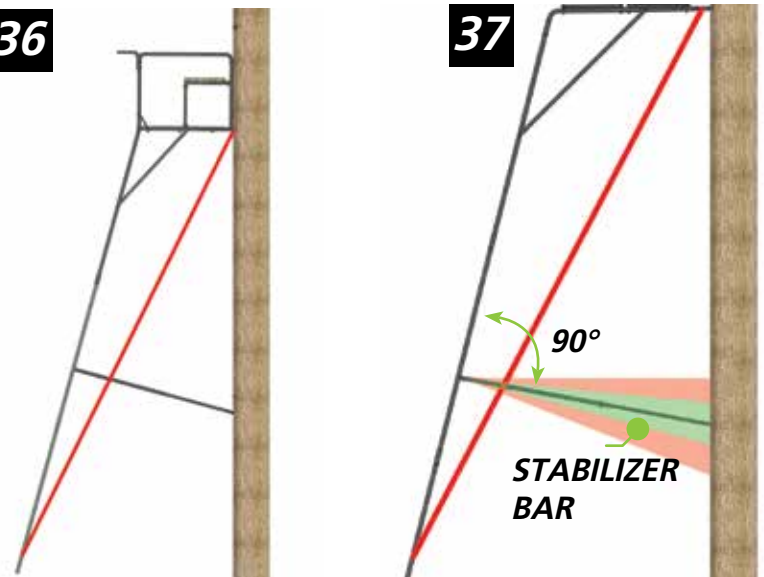
35



36



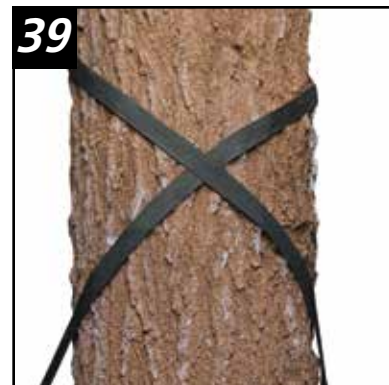
37



38



39



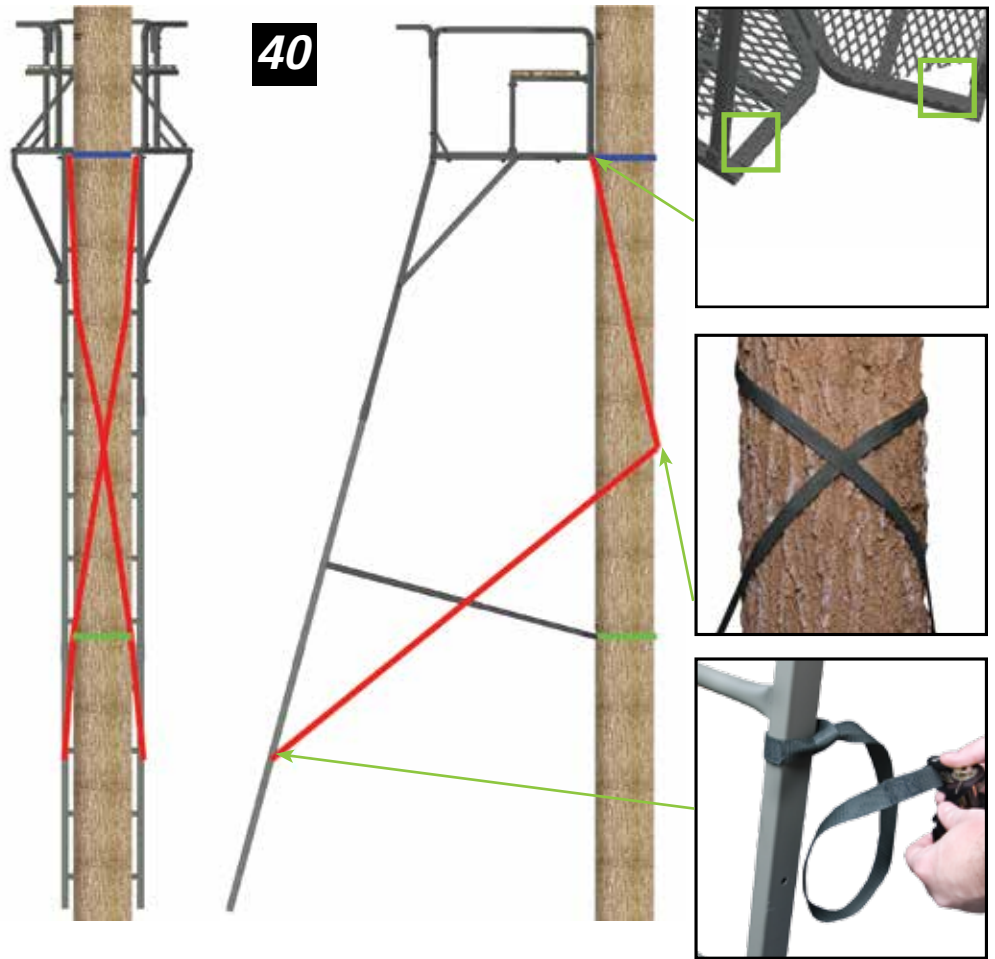
SETUP (continued)

9. Do not tighten until both straps are in place. Alternate between each strap until they are both tight. Do not overtighten.

Figure 40 shows the completed main strap setup.

10. Have two of your helpers hold the ladder in place. **Carefully** climb the ladder. Once you are at the top, before stepping onto the platform, **IMMEDIATELY** attach your safety strap and harness to the tree.

11. Run the free end of the ratchet strap through the ratchet (**figure 41**) and tighten to secure the upper section to the tree.



40

⚠ WARNING
 Never jump or bounce on any other part of the treestand in an attempt to force the platform to seat into the tree.

⚠ WARNING
 You **MUST** now put on your safety harness if you have not already done so. **ALWAYS** refer to your harness instructions included with this stand for proper use of your safety harness.

⚠ WARNING
YOU WILL NOT be connected to a safety rope / strap while you climb into or out of this treestand. **USE EXTREME CAUTION** while ascending or descending the ladder. **TAKE YOUR TIME** and do not hurry.

⚠ WARNING
 Always maintain three points of contact when you climb the ladder section of this stand. Always lean forward as you climb.

USE

⚠ WARNING
ALWAYS check every ladder section connection every time you use the stand. If any ladder sections are separating - **DO NOT USE THE STAND!**

⚠ WARNING
 This ladder **MUST** be held in place while it is ratcheted tight and while the top ratchet is put into place. Do not use until all straps are securely attached.



41

⚠ WARNING
NEVER disconnect from your safety harness or safety line while you are using this treestand.

1. Climb up and before stepping onto the platform **IMMEDIATELY** attach your safety strap around the tree above your seating position. **ALWAYS** refer to your harness instructions included with this stand for proper use of your Summit Safety harness and Safety Strap

2. **The length of the harness tether must be minimized at all times.** It should be adjusted so that it is above the head with no slack (snug) in the sitting position and you should have the minimum amount of slack possible when climbing.

6 MAINTENANCE AND CARE

The seat on this ladder stand is removable. We recommend it be removed and stored in a dry place when not in use.

The powdercoat finish applied at the factory is very durable and should only need touch ups in areas of heavy wear or accidental impact. The powder coat is applied only to the exterior surfaces of the treestand so it is possible for some surface rust to form inside the stand tubing. This is normal and should not affect the durability or performance of the stand. **This stand is made from Steel and as a result, rust may develop on any uncoated part of the stand** - including any area that has been nicked or scratched to the bare metal.

Should you damage any part of your Summit Treestand, contact your nearest authorized Summit dealer or the factory to obtain the proper corrective action procedure and/or replacement parts for the treestand.

⚠ CAUTION

Look for nicks, gouges, cuts, cracks, bends, corrosion or similar damage that can be the result of improper use or accidental damage. For instance, this could occur if someone else used the treestand without knowledge of its proper use, or if the treestand were dropped, hit by a motor vehicle or subject to corrosive conditions, etc.

Summit Treestands have the highest structural integrity by design, material selection and manufacturing techniques, but as its owner, only your continued care will assure trouble free performance. When the above-mentioned guidelines are followed, your Summit Treestand will provide years of successful hunting.

7 HARNESS SUSPENSION

It is necessary and very important that someone knows your hunting location and time of return. It is also very important that you carry (on your person) emergency communication devices such as a cell phone, two-way radio, whistle, signal flare or preferably a PLD (Personal Locator Device - FCC approved July, '03). When triggered, a PLD will transmit an emergency signal to local rescue teams identifying your location via satellite GPS coordinates. PLD's may be purchased at Wilderness outfitters or on the internet.

Suspension trauma or blood pooling can occur when suspended motionless in a harness for periods of time. This can lead to unconsciousness and death. A suspension relief strap is furnished with your harness. Read your harness instructions to assure that you know how to use it.

Self extraction may be necessary in the unfortunate situation that (A) no one knows your location, (B) your communication efforts

⚠ WARNING

If you have to hang in the tree before help arrives, you need to exercise your legs by pushing off from the tree or by using the enclosed suspension relief strap. See the treestand harness instructions and the enclosed instructions for more information.

are exhausted, (C) you are confident that you have the strength, dexterity and ability to perform self-extraction and (D) you decide this is your "absolute last resort". It is recommended to carry a device to assist with this self-extraction. Simple devices such as screw-in steps or a rope "Tree Descender" (available from Summit) will allow you to remove the weight from your harness. This may enable you to return to the treestand/ladder/climbing steps or slowly descend the tree.

Several optional products/systems are available that offer self-recovery or self extraction from a fall when suspended in a harness. Returning to the ground obviously also relieves suspension trauma and some systems automatically descend the user while others allow user control. If one of these products/systems is selected for use as an additional safety precaution against prolonged suspension, be sure to follow the manufacturers' directions for safe use.

8 LIMITED WARRANTY

(A) Warranty

Summit Treestands, LLC (Summit) warrants to the original retail purchaser that all products manufactured by it are free from defects in material and manufacture at the time of shipment for **twelve (12) months from the date of purchase**. Summit will repair or replace any part found defective if the unit claimed to be defective shall be returned to Summit, postage prepaid, within the warranty period.

This warranty shall not apply to any product which has been subjected to misuse; misapplication; neglect (including but not limited to improper maintenance); accident; improper installation; modification (including but not limited to use of unauthorized parts or attachments); adjustment or repair. THE FOREGOING IS IN LIEU OF ALL OTHER WARRANTIES, WHETHER EXPRESS OR IMPLIED (INCLUDING THOSE OF MERCHANTABILITY AND FITNESS OF ANY PRODUCT FOR A PARTICULAR PURPOSE), AND OF ANY OTHER OBLIGATION OF LIABILITY ON THE PART OF THE COMPANY.

(B) Limitation of Liability

It is expressly understood that Summit's liability for its products, whether due to breach of warranty, negligence, strict liability, or otherwise, is limited to the repair of the product, as stated above, and Summit will not be liable for any other injury, loss, damage, or expense, whether direct or consequential, including but not limited to loss of use, income, profit, or damage to material, arising in connection with the sale, installation, use of, inability to use, or the repair or replacement of Summit's products.

Summit reserves the right to make alterations or modifications in its products at any time, which in its opinion, may improve the performance and efficiency of the product. It shall not be obligated to make such alterations or modifications to products already in service.

Please take the time to fill out the warranty card online at <http://www.summitstands.com/warranty> or fill out and mail in the enclosed warranty card.



AVERTISSEMENT

Vous devez lire entièrement, comprendre et suivre ces avertissements et instructions (écrites et sur vidéo)! Si ces instructions ne sont pas suivies cela pourrait entraîner des blessures ou la mort!!

Vous devez également visionner le DVD ci-joint AVANT d'utiliser votre nouveau mirador!!

LIMITE DE POIDS

LIMITE DE POIDS POUR OCCUPATION INDIVIDUELLE
136 KGS. X 1 TOTAL*

NE DÉPASSER PAS CETTE LIMITE!
(* Inclus tout l'équipement)

Grosseur d'arbre minimum et maximum pour le mirador:
20-50 cm de diamètre

- LORS D'UNE CHASSE À PARTIR D'UN MIRADOR, DES CHUTES POUVANT CAUSER DES BLESSURES OU LA MORT PEUVENT SURVENIR EN TOUT TEMPS APRÈS AVOIR QUITTÉ LE SOL! POUR CETTE RAISON, UTILISEZ EN TOUT TEMPS UN SYSTÈME D'ARRÊT DE CHUTE (SAC) QUI COMPREND UN HARNAIS COMPLET APRÈS AVOIR QUITTÉ LE SOL. VOUS DEVEZ ÊTRE ATTACHÉ EN TOUT TEMPS LORSQUE VOUS UTILISEZ UNE PLATEFORME DE CHASSE SURÉLEVÉE. LES CEINTURES SIMPLES ET DES HARNAIS POUR POITRINE NE SONT PLUS ACCEPTÉS ET NE DEVRAIENT PAS ÊTRE UTILISÉS. SI VOUS N'UTILISEZ PAS UN HARNAIS COMPLET QUI VOUS PROTÈGERA LORS D'UNE CHUTE, NE QUITTEZ PAS LE SOL!
- LISEZ ET ASSUREZ-VOUS DE COMPRENDRE LES AVERTISSEMENTS ET LES INSTRUCTIONS DU MANUFACTURIER ET L'UTILISATION DES DISPOSITIFS DE SÉCURITÉ INCLUS. SINON CELA POURRAIT ENTRAÎNER DES BLESSURES OU LA MORT. CONTACTEZ LA COMPAGNIE SUMMIT TREESTANDS POUR TOUTE QUESTION.
- AYEZ EN VOTRE POSSESSION ET DISPONIBLE EN TOUT TEMPS UN DISPOSITIF DE SIGNALEMENT TEL UN TÉLÉPHONE CELLULAIRE, UNE RADIO, UN SIFFLET, UNE FUSÉE DE SIGNALISATION OU UN DISPOSITIF DE LOCALISATION PERSONNEL (PLD)! TOUJOURS INFORMER UNE PERSONNE DE VOTRE TERRITOIRE DE CHASSE, DE L'EMPLACEMENT DE VOTRE MIRADOR ET DE LA DURÉE PRÉVUE DE VOTRE CHASSE!
- N'UTILISEZ PAS DE MIRADOR SI VOUS N'ÊTES PAS EN BONNE CONDITION PHYSIQUE OU SI VOUS AVEZ DES LIMITATIONS PHYSIQUES OU DES CONDITIONS MÉDICALES QUI NE VOUS PERMETTRAIENT PAS L'UTILISATION SÉCURITAIRE DE CE PRODUIT. TOUJOURS CONSULTER UN MÉDECIN SI VOUS AVEZ DES QUESTIONS AU SUJET DE VOTRE HABILITÉ PHYSIQUE POUR L'UTILISATION DE CE PRODUIT.
- N'UTILISEZ JAMAIS UN MIRADOR SI VOUS PRENEZ DE LA DROGUE, DE L'ALCOOL OU DES MÉDICAMENTS PRESCRITS! VEUILLEZ TOUJOURS CONSULTER UN MÉDECIN SI VOUS AVEZ DES QUESTIONS AU SUJET DE MÉDICAMENTS QUE VOUS DEVEZ PRENDRE ET L'UTILISATION DE CE PRODUIT!
- N'UTILISEZ JAMAIS UN MIRADOR LORSQUE LE CLIMAT EST INCLÉMENT TEL LA PLUIE, LA FOUDRE, LES TEMPÊTES DE VENT OU DES CONDITIONS GLACÉES! METTEZ FIN À VOTRE CHASSE ET REJOIGNEZ LE SOL SI CES CONDITIONS CLIMATIQUES SE PRODUISENT.
- N'UTILISEZ JAMAIS UN MIRADOR SI VOUS ÊTES MALADE, SI VOUS AVEZ LA NAUSÉE, SI VOUS ÊTES SOMNOLENT OU ÉTOURDI!
- SOYEZ REPOSÉ ET JAMAIS PRESSÉ. VOUS PRESSER CAUSE DES ACCIDENTS!
- VÉRIFIEZ CHAQUE SECTION DE L'ÉCHELLE CHAQUE FOIS QUE VOUS UTILISEZ LE MIRADOR. SI DES SECTIONS DE L'ÉCHELLE SE SÉPARENT, N'UTILISEZ PAS LE MIRADOR.
- N'UTILISEZ JAMAIS UN MIRADOR SUR UN ARBRE MORT, PENCHÉ, MALADE, AVEC UNE ÉCORCE DÉTACHÉE, SUR UN POTEAU UTILITAIRE OU SUR TOUT ARBRE PRÈS DUQUEL SE TROUVENT DES OBSTRUCTIONS QUI POURRAIENT LIMITER L'UTILISATION DU MIRADOR! NE VOUS FIER JAMAIS SUR UNE BRANCHE DE L'ARBRE POUR SUPPORTER LE MIRADOR!
- VÉRIFIER LE SOL SOUS LE MIRADOR À ÉCHELLE POUR VOUS ASSURER QU'IL SOIT FERME ET DE NIVEAU. UN SOL EN PENTE OU AVEC UNE SURFACE INÉGALE (PAR EXEMPLE, UNE SECTION DE L'ÉCHELLE INSTALLÉE SUR UN ROCHER) PEUT CAUSER UNE INCLINAISON OU UN DÉPLACEMENT DU MIRADOR LORS DE VOTRE ASCENSION.
- VEUILLEZ TOUJOURS AVOIR TROIS POINTS DE CONTACT LORSQUE VOUS MONTEZ DANS L'ÉCHELLE DE CE MIRADOR!
- NE SAUTEZ OU NE BONDISSEZ JAMAIS SUR UN MIRADOR POUR LE SÉCURISER À L'ARBRE!
- MONTEZ UN ARC, UN SAC À DOS, UNE ARME OU TOUT AUTRE ÉQUIPEMENT SEULEMENT LORSQUE VOUS SEREZ EN SÉCURITÉ DANS LE MIRADOR. LES ARMES À FEU DOIVENT ÊTRE MONTÉES DANS LE MIRADOR DÉCHARGÉES, LA CHAMBRE OUVERTE ET LE CANON DIRIGÉ VERS LE BAS!
- NE MODIFIEZ JAMAIS VOTRE MIRADOR EN Y FAISANT DES RÉPARATIONS, EN REMPLAÇANT DES PARTIES, OU EN ALTÉRANT, AJOUTANT OU EN Y ATTACHANT TOUT OBJET SAUF SI LE MANUFACTURIER L'AUTORISE PAR ÉCRIT!
- PRATIQUEZ-VOUS À INSTALLER, AJUSTER ET UTILISER VOTRE MIRADOR AU NIVEAU DU SOL AVANT L'UTILISATION À DES POSITIONS ÉLEVÉES!
- LES INSTRUCTIONS (ÉCRITES ET PAR VIDÉO) DEVRAIENT ÊTRE GARDÉES DANS UN ENDROIT SÛR ET DOIVENT ÊTRE REVUES AU MOINS UNE FOIS PAR ANNÉE. LA RESPONSABILITÉ DE FOURNIR LES INSTRUCTIONS COMPLÈTES À TOUTE PERSONNE QUI EMPRUNTE OU ACHÈTE LE MIRADOR INCOMBE AU PROPRIÉTAIRE! LE MIRADOR SUMMIT EST FAIT POUR ÊTRE UTILISÉ COMME UN SYSTÈME COMPLET - NE PRÊTEZ OU NE VENDEZ JAMAIS UNE PARTIE DE CE MIRADOR
- AVANT CHAQUE UTILISATION DU MIRADOR SUMMIT, VEUILLEZ TOUJOURS INSPECTER LE MIRADOR ET LE HARNAIS POUR DES DOMMAGES, DES FENTES, DES DÉCHIRURES, POUR L'USURE OU L'ÉCORCHURE DU CÂBLE QUE PEUT OCCASIONNER LE TRANSPORT OU L'ENTREPOSAGE DU MIRADOR. NE L'UTILISEZ PAS S'IL EST ENDOMMAGÉ! APPELLEZ LE SERVICE À LA CLIENTÈLE POUR Y APPORTER DES RÉPARATIONS APPROPRIÉES OU POUR LE REMPLACEMENT DU MIRADOR!
- NE LAISSEZ PAS VOTRE MIRADOR À L'EXTÉRIEUR LORSQU'IL N'EST PAS UTILISÉ! LES TUBES DU MIRADOR QUI SE REMPLIRAIENT D'EAU ET QUI GELERAIENT POURRAIENT SE ROMPRE OU ÉCLATER - N'UTILISEZ PAS VOTRE MIRADOR SI CETTE SITUATION SE PRODUIT!

1 INDEX

AVERTISSEMENTS GÉNÉRAUX ET PRÉCAUTIONS, LIMITES DE POIDS DU MIRADOR	PAGE 13
SECTION 1 - INDEX	P 14
SECTION 2 - LISTES DES PIÈCES	P 14
SECTION 3 - OUTILS REQUIS	P 15
SECTION 4 - ASSEMBLAGE	P 15 - 20
SECTION 5 - INSTALLATION ET UTILISATION	P 21 - 23
SECTION 6 - ENTRETIEN ET SOINS	P 24
SECTION 7 - SUSPENSION DU HARNAIS	P 24
SECTION 8 - INFORMATION SUR LA GARANTIE LIMITÉE	P 24

2 LISTE DES PIÈCES

Appellez le 256-353-0634 ou visitez le site web à l'adresse <http://www.summitstands.com/contactus/> si vous avez des questions, si vous avez besoin de pièces de remplacement, si des pièces sont manquantes ou si le DVD inclus est défectueux.

CONTENU DE LA BÔTE

PN	DESCRIPTION	QTY
82074.2L	PLATEFORME DE GAUCHE	1
82074.2R	PLATEFORME DE DROITE	1
82074.3	SUPPORT POUR L'ARRIÈRE DU SIÈGE	2
82074.5L	BARRE D'ACCOUDOIR GAUCHE	1
82074.5R	BARRE D'ACCOUDOIR DROITE	1
82074.4	BARRE D'ACCOUDOIR AVANT	2
82074.9	APPUI-ARME	1
82074.6	SUPPORT POUR L'AVANT DU SIÈGE	2
82074.7	BASE DU SIÈGE	1
82074.8	BARRES DE TENSION LATÉRALES	2
82074.11	SECTION SUPÉRIEUR DE L'ÉCHELLE	1
82074.12	SECTION DU MILIEU DE L'ÉCHELLE	1
82074.13	SECTION INFÉRIEURE DE L'ÉCHELLE	1
82074.10	BARRES DE SUPPORT DE L'ÉCHELLE	2
82074.14	SECTION DU STABILISATEUR MÂLE	1
82074.15	SECTION DU STABILISATEUR FEMELLE	1
82074.17	SIÈGE EN MOUSSE	1
	ENSEMBLE D'ACCESSOIRE	1

CONTENU DE LA POCHETTE DES ACCESSOIRES

PN	DESCRIPTION	QTY
	POCHETTE DE LA QUINCAILLERIE	1
82074.350	ROCHET DE LA PLATEFORME AVEC BOUT EN BOUCLE	1
82074.355	COURROIE COURTE DE PLATEFORME POUR ROCHET	1
82074.360	COURROIE STABILISATRICE AVEC BOUCLE À CAME POUR ÉCHELLE COURTE	2
82074.365	COURROIE STABILISATRICE AVEC BOUCLE POUR ÉCHELLE LONGUE	2
82074.870	DVD AVEC INSTRUCTIONS	1
82074.880	HARNAIS EN QUATRE POINTS AVEC COURROIE POUR ARBRE ET COURROIE POUR ARBRE ET INSTRUCTIONS	1

82074.890

POCHETTE DE LA QUINCAILLERIE

5/16X18 MATÉRIEL LISTÉ DANS ROUGE DANS LE LIVRET
1/4X20 MATÉRIEL LISTÉ DANS BLEUE DANS LE LIVRET

PN	DESCRIPTION	QTY
SU10687	3/4" BOULON, 5/16x18	3
SU10685	2" BOULON, 5/16x18	2
SU10610	2 3/4" BOULON, 5/16x18	4
SU10617	ÉCROU DE BLOCAGE, 5/16x18	9
SU10600	1 1/2" BOULON, 1/4x20	8
SU10601	1 3/4" BOULON, 1/4x20	13
SU10609	2 1/4" BOULON, 1/4x20	6
SU10612	ÉCROU DE BLOCAGE, 1/4x20	27
	1/4" GOUPILLE D'ARRÊT	1

3 OUTILS REQUIS

Outils

- Clés 7/16 po. et / ou Douille / Rochet
- Clés 1/2 po. et / ou Douille / Rochet

- L'assemblage peut être facilité avec l'utilisation d'un rochet électrique ou d'une perceuse avec douille (assurez-vous de ne pas serrer trop fort lors de l'assemblage avec des outils électriques).
- Il est recommandé que les boulons soient triés par nombre de filetage et grandeur avant l'assemblage.

Utilisation

Boulons pour échelle principale / écrou -1/4x20 quincaillerie

4 ASSEMBLAGE

PLATFORM

1. Placez les sections de gauche et de droite de la plateforme tel qu'illustré à la **figure 1**.
2. Glissez les sections ensemble et attachez-les en utilisant trois **boulons de 3/4 po.** et des **écrous de blocage** tel qu'illustré à la **figure 2**.

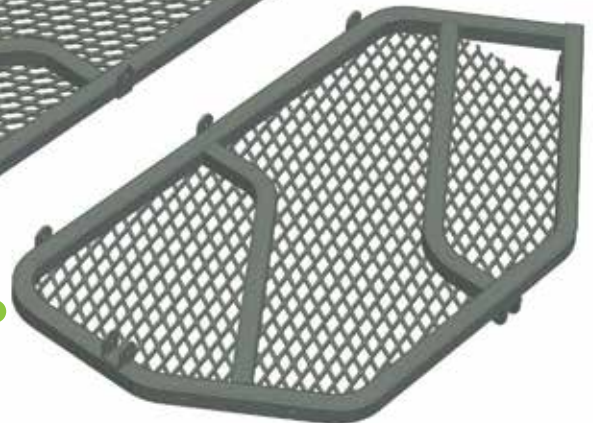
Matériel Nécessaire

5/16X18 - 3/4" Boulon	- 3	1/4X20 - 1 3/4" Boulon	- 2
5/16X18 - Écrou de blocage	- 3	1/4X20 - 2 1/4" Boulon	- 2
1/4X20 - 1 1/2" Boulon	- 4	1/4X20 - Écrou de blocage	- 8

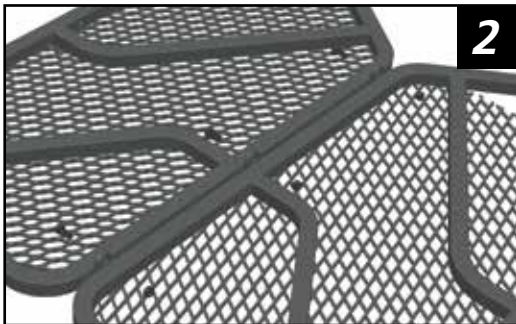
PLATEFORME DE GAUCHE
(PN 82074.2L)



PLATEFORME DE DROITE
(PN 82074.2R)



3/4" BOULONS, ÉCROU DE BLOCAGES



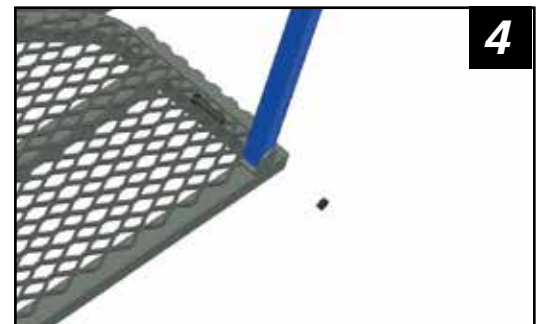
SUPPORT POUR L'ARRIÈRE DU SIÈGE
(PN 82074.3)



3. Tournez la plateforme. Placez un des supports du siège arrière au-dessus du support de montage en 'U' tel qu'illustré à la **figure 3**.

4. Attachez en utilisant un **boulon de 1 3/4 po.** et un **écrou de blocage** tel qu'illustré à la **figure 4**. Serrez ce boulon à la main pour l'instant.

1 3/4" BOULONS, ÉCROU DE BLOCAGES



5**BARRE D'ACCOUDOIR GAUCHE**
(PN 82074.5L)**PLATEFORME (suite)**

5. Placez la barre d'accoudoir gauche tel qu'illustré à la **figure 5**.

6. Glissez la barre vers le bas et par-dessus le support arrière du siège et alignez les trous. Attachez en utilisant un **boulon de 1 1/2 po.** et un **écrou de blocage** tel qu'illustré à la **figure 6**. Serrez ces boulons à la main pour l'instant.

1 1/2" BOULONS, ÉCROU DE BLOCAGES**6****BARRE D'ACCOUDOIR AVANT**
(PN 82074.4)**7**

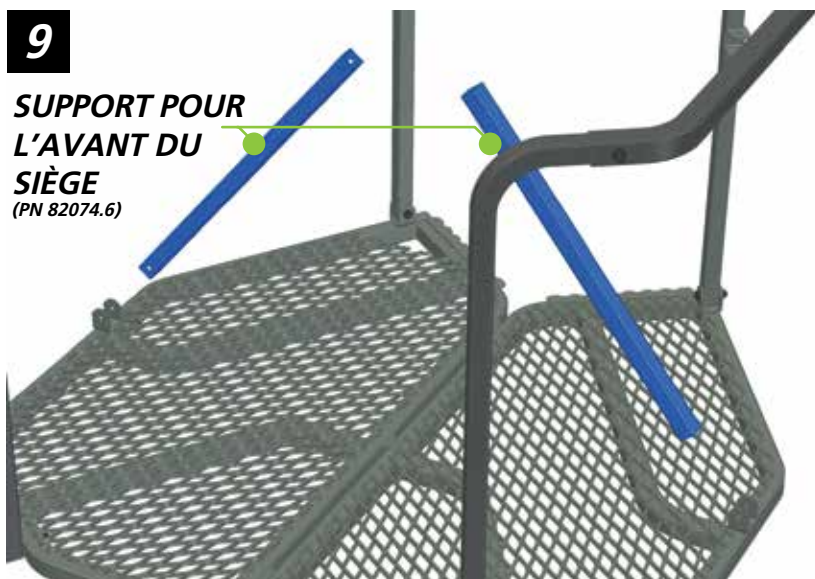
7. Attachez la barre avant de l'accoudoir. Glissez-la dans le bout de la barre d'accoudoir gauche et alignez le trou du bas à la plateforme tel qu'illustré à la **figure 7**.

8. Attachez à la position du haut en utilisant un **boulon de 1 1/2 po.** et un **écrou de blocage** et un **boulon de 2 1/4 po.** et un **écrou de blocage** à la position du bas. Serrez-les à la main pour l'instant. Voir la **figure 8**.

9. Répétez les étapes 3 à 8 pour l'autre côté.

1 1/2" | 2 1/4" BOULONS, ÉCROU DE BLOCAGES**8****Matériel Nécessaire**

1/4X20 - 1 1/2" Boulon	- 4	
1/4X20 - 1 3/4" Boulon	- 6	1/4X20 - Écrou de blocage - 10

9**SUPPORT POUR L'AVANT DU SIÈGE**
(PN 82074.6)**SUPPORT DU SIÈGE**

1. Placez les deux barres de support du siège avant tel qu'illustré à la **figure 9**.

2. Placez les barres entre les supports soudés en 'U' et attachez-les en utilisant un **boulon de 1 3/4 po.** et un **écrou de blocage** de chaque côté tel qu'illustré à la **figure 10**. Serrez ces boulons à la main pour l'instant.

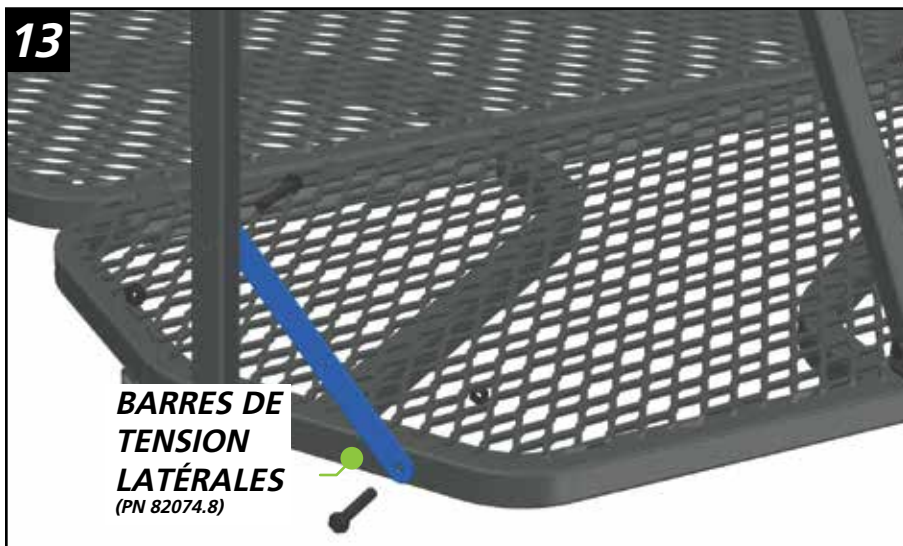
1 3/4" BOULONS, ÉCROU DE BLOCAGES**10**

11**BASE DU SIÈGE**

(PN 82074.7)

**1 1/2" BOULONS, ÉCROU DE BLOCAGES****SUPPORT DU SIÈGE (suite)**

3. Attachez le support du siège. (voir **figure 11**). Placez l'arrière dans les supports soudés des deux barres de support arrière du siège.
4. Faites pivoter les deux barres de support avant du siège dans les supports du siège.
5. Attachez les quatre positions en utilisant des **boulons de 1 3/4 po.** et des **écrous de blocage** tel qu'illustré à la **figure 12**. Serrez ces boulons à la main pour l'instant.

**1 3/4" BOULONS, ÉCROU DE BLOCAGES****12****13****BARRES DE TENSION LATÉRALES**
(PN 82074.8)

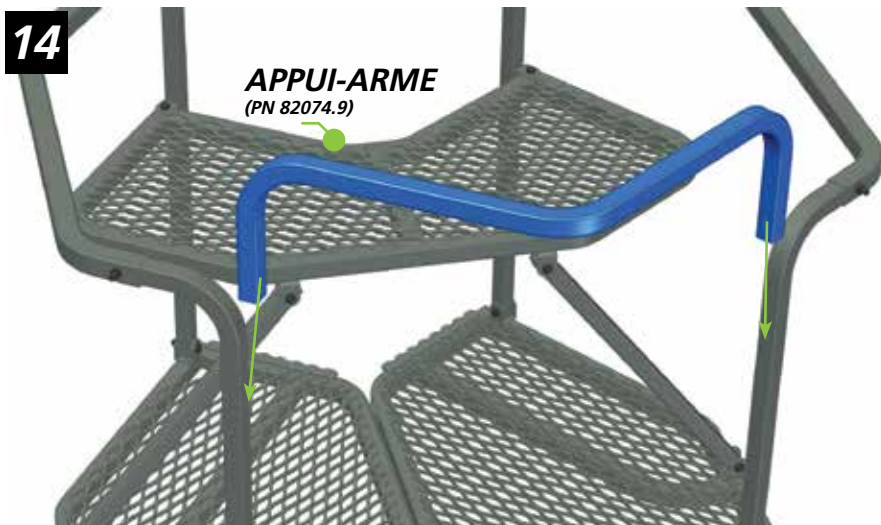
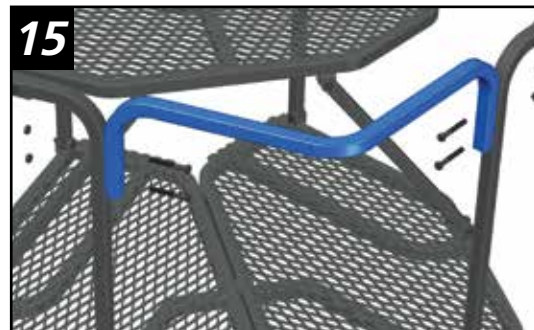
6. Installez la barre de tension latérale ensuite. Placez celle-ci entre l'arrière de la barre avant d'appui-arme et les trous à l'avant de la plateforme tel qu'illustré à la **figure 13**.
7. Sécurisez le tout à l'aide de **boulons de 1 1/2"** et des **écrous de blocage**.
8. Répétez les étapes 6 et 7 pour l'autre côté.

Matériel Nécessaire

1/4X20 - 2 1/4" Boulon - 4
 1/4X20 - Écrou de blocage - 4

APPUI-ARME

1. Placez l'appui-arme tel qu'illustré à la **figure 14**.
2. Alignez les trous des quatre boulons et attachez-les en utilisant des **boulons de 2 1/4 po.** et des **écrous de blocage**. Serrez ces boulons à la main pour l'instant. (voir **figure 15**)

14**APPUI-ARME**
(PN 82074.9)**2 1/4" BOULONS, ÉCROU DE BLOCAGES****15**

SUPPORT POUR ÉCHELLE

1. Placez la section supérieure de l'échelle tel qu'illustré à la **figure 16**. L'échelle se glisse dans les supports soudés sur la plateforme. La section supérieure de l'échelle a deux coupleurs soudés et aucun support en 'U'.

2. Attachez en utilisant deux **boulons de 2 po.** et des **écrous de blocage** tel qu'illustré à la **figure 17**. Serrez ces boulons à la main pour l'instant.

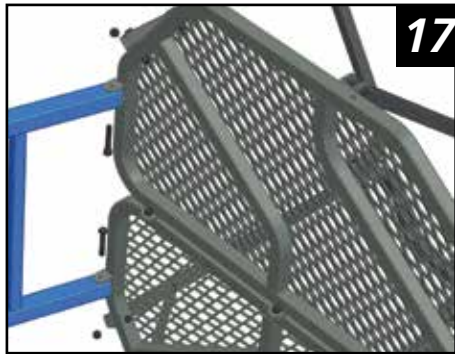
Matériel Nécessaire

5/16X18 - 2" Boulon	- 2	5/16X18 - Écrou de blocage	- 6
5/16X18 - 2 3/4" Boulon	- 4		

16

SECTION SUPÉRIEUR DE L'ÉCHELLE (PN 82074.11)

2" BOULONS, ÉCROU DE BLOCAGES



17

PLATEFORME COMPLÉTÉE / ASSEMBLAGE DU SIÈGE

BARRES DE SUPPORT DE L'ÉCHELLE (PN 82074.10)

18

2 3/4" BOULONS, ÉCROU DE BLOCAGES

19



3. Attachez les barres de support de l'échelle. Ces barres vont de l'échelle à la plateforme tel qu'illustré à la **figure 18**.

4. Attachez les barres de support à la plateforme en utilisant des **boulons de 2 3/4 po.** et des **écrous de blocage** à chaque position. (**voir figure 19**)

5. Répétez les étapes 3 et 4 pour l'autre côté.

ASSEMBLAGE FINAL

1. **SERREZ À LA L'AIDE D'UNE CLÉ TOUS LES BOULONS DES PAGES 3 À 5. VÉRIFIEZ LES BOULONS POUR VOUS ASSURER QU'ILS SOIENT BIEN SERRÉS!**

ÉCHELLE

1. Placez la section inférieure et la section du milieu de l'échelle tel qu'illustré à la **figure 20**. Le support en "U" soudé fait face à l'arbre lorsqu'assemblé.

La section inférieure de l'échelle ne possède pas de coupleurs.

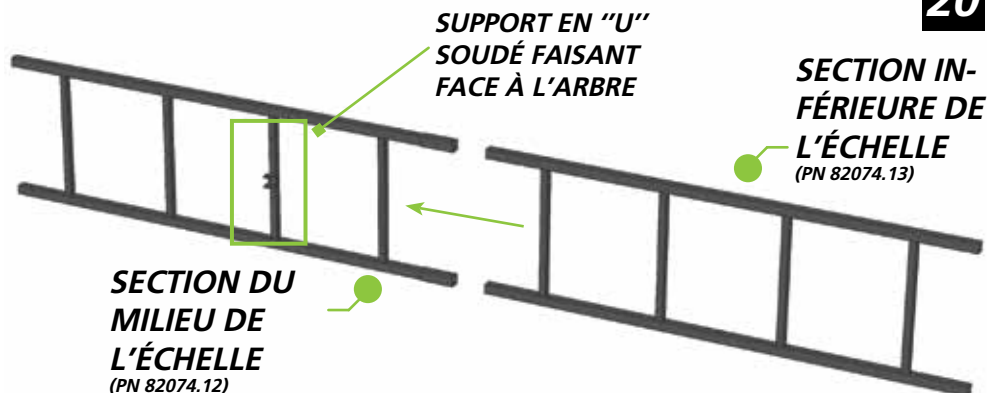
2. Glissez les sections de l'échelle ensemble, alignez les trous des boulons et utilisez un **boulon 1 3/4 po.** et un écrou de blocage pour sécuriser chaque côté (**voir figure 21**).

3. Glissez les sections complétées inférieure et du milieu de l'échelle dans la partie de la plateforme complétée / assemblage du siège pour terminer l'assemblage tel qu'illustré à la **figure 22**.

4. Sécurisez en utilisant deux **boulons 1 3/4 po.** et des **écrous de blocage** (**voir figure 23**).

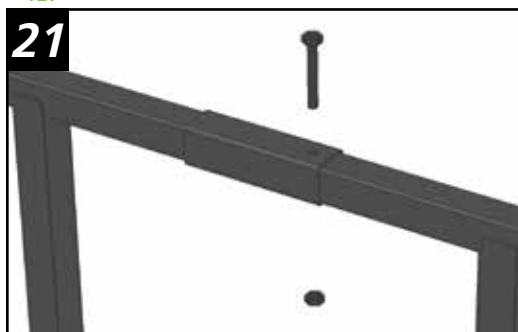
1/4X20 - 1 3/4" Boulon - 4
1/4X20 - Écrou de blocage - 4

20



1 3/4" BOULONS, ÉCROU DE BLOCAGES - SERRER À CLÉ

21



SECTION INFÉRIEURE DE L'ÉCHELLE
(PN 82074.13)

SUPPORT EN "U"
SOUDÉ FAISANT
FACE À L'ARBRE

SECTION DU MILIEU
DE L'ÉCHELLE
(PN 82074.12)

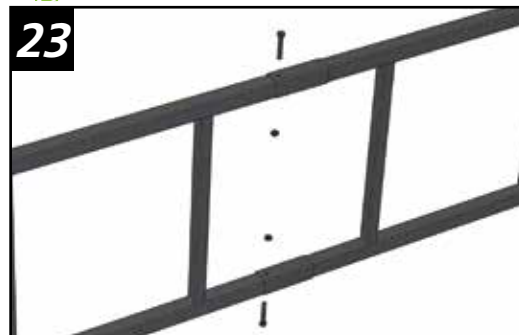
22



PLATEFORME
COMPLÉTÉE /
ASSEMBLAGE DU
SIÈGE

1 3/4" BOULONS, ÉCROU DE BLOCAGES - SERRER À CLÉ

23



BARRE STABILISATRICE

1. Placez la section femelle de la barre stabilisatrice tel qu'illustré à la **figure 24**. La barre stabilisatrice s'attache au support en "U" soudé. Glissez la barre dans le support et alignez les trous.
2. Sécurisez en utilisant le **boulon 1 3/4 po. et un écrou de blocage**.
(voir la **figure 25**). Ne serrez pas trop fort.
3. Placez la barre stabilisatrice mâle tel qu'illustré à la **figure 26**. Alignez les trous de boulon et sécurisez en utilisant la **goupille d'arrêt** tel qu'illustré à la **figure 27**. La barre stabilisatrice possède plusieurs trous pour permettre l'utilisation d'arbres de différentes grosseurs.

1 3/4" BOULON, ÉCROU DE BLOCAGE - SERRER À CLÉ



1/4" GOUPILLE D'ARRÊT



Matériel Nécessaire

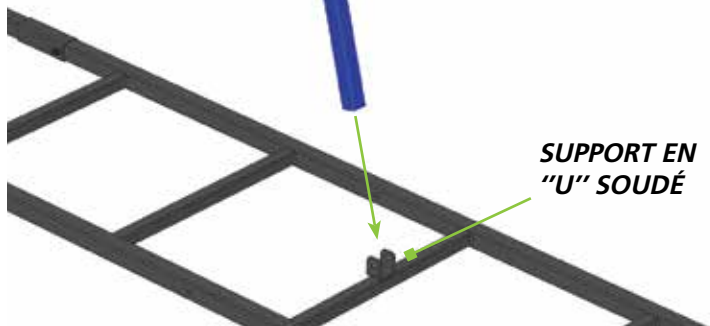
1/4X20 - 1 3/4" Boulon - 1
1/4X20 - Écrou de blocage - 1

Goupille d'arrêt

-1

24

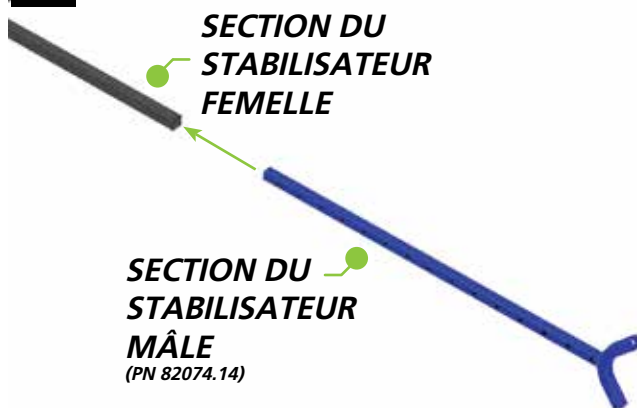
SECTION DU STABILISATEUR FEMELLE
(PN 82074.15)



SUPPORT EN "U" SOUDÉ

26

SECTION DU STABILISATEUR FEMELLE



SECTION DU STABILISATEUR MÂLE
(PN 82074.14)

SIÈGE EN MOUSSE / COUSSINETS

1. Placez le siège en mousse à l'intérieur du châssis tel qu'illustré à la **figure 28**.
2. Entourez les bandes Velcro autour du support du siège pour les attacher.
3. Entourez les trois coussinets inclus autour du châssis dans les positions vertes tel qu'illustré à la **figure 28**. Les coussinets peuvent être repositionnés selon vos besoins.

AVIS

Le siège en mousse inclus avec le mirador est amovible pour l'entreposage. **NE LAISSEZ PAS** votre mirador à l'extérieur lorsqu'il n'est pas utilisé.

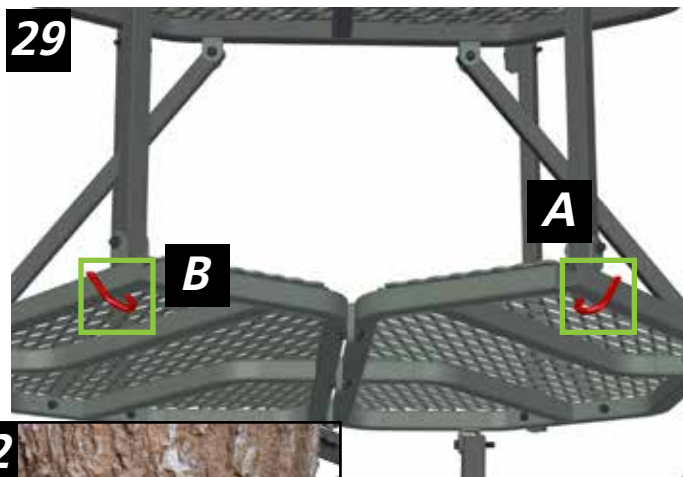
28



5 INSTALLATION ET UTILISATION

COURROIE POUR PLATEFORME À ROCHET

1. Attachez le rochet avec le bout en boucle au **tube de la fourche** à l'emplacement **A** tel qu'illustré à la **figure 29**. Placez la boucle cousue autour du tube (**figure 3**) et puis poussez le rochet dans la boucle (**figure 31**) pour créer un nœud coulant tel qu'illustré à la **figure 32**.
2. Attachez la courroie courte du rochet au côté opposé du **tube de la fourche** à l'emplacement **B** tel qu'illustré à la **figure 29**. Enroulez le bout libre de la courroie autour du tube et puis dans la boucle cousue. Tirez pour produire un nœud coulant. Ceci est la courroie à rochet servant à attacher la plateforme.



COURROIES STABILISATRICES DE L'ÉCHELLE (BOUCLE À CAME)

1. Attachez les deux longues courroies stabilisatrices au **tube de la fourche** aux emplacements **A et B** tel qu'illustré à la **figure 29**. Utilisez la même procédure qu'à l'étape 1 ci-haut pour créer un nœud coulant pour chaque courroie. Ce sont les deux courroies stabilisatrices pour l'échelle.
2. Attachez le bout des boucles à came de chaque courroie à la partie inférieure de l'échelle entre le deuxième et le troisième barreau tel qu'illustré à la **figure 33**. Utilisez la même procédure pour créer un nœud coulant.
3. Avant l'installation, faites passer les longues courroies stabilisatrices dans les boucles à came et enfiler le bout supplémentaire de la courroie dans la boucle à came tel qu'illustré à la **figure 34**. Tirez sur le bout libre de chaque courroie jusqu'à ce qu'elles soient serrées.

AVERTISSEMENT
N'enroulez pas les courroies stabilisatrices autour des échellons de l'échelle! Enroulez-les seulement autour des montants de l'échelle! (voir figure 33)

Ces deux courroies fournissent un support à l'échelle pendant que vous installez votre mirador et servent également comme courroies stabilisatrices lorsque le mirador est installé.



INSTALLATION

⚠ AVERTISSEMENT

Il est recommandé qu'au moins trois personnes mettent initialement le mirador à échelle en place. Veuillez toujours utiliser deux assistants

⚠ AVERTISSEMENT

Vérifiez le sol sous le mirador à échelle pour vous assurer qu'il soit ferme et de niveau.

⚠ AVERTISSEMENT

N'utilisez jamais ce mirador à échelle sur un arbre mort, penché, malade ou qui possède une écorce détachée. Ne jamais l'utiliser sur un poteau utilitaire ou sur des arbres près desquels se trouvent des obstructions qui pourraient limiter l'utilisation du mirador. Ne vous fier jamais sur une branche de l'arbre pour le support.

⚠ AVERTISSEMENT

Assurez-vous toujours que les courroies stabilisatrices passent par le point d'attache élevé au montant de l'échelle **AVANT** l'installation.

1. Placez mirador à échelle à plat sur le sol en face d'un arbre approprié. La partie inférieure de l'échelle devrait être placée à environ un mètre de la base de l'arbre.
2. À l'aide d'au moins trois adultes, placez le mirador à échelle en position debout jusqu'à ce que la partie dentelée entre en contact avec l'arbre (*voir figure 35*).
3. Tirez la base du mirador à échelle vers l'avant jusqu'à ce que la plateforme soit de niveau avec le sol tel qu'illustré à la *figure 36*.
4. Tandis que vos assistants tiennent le mirador, sautez **DÉLICATEMENT** sur le premier barreau pour ancrer l'échelle dans le sol.
5. Faites pivoter la barre stabilisatrice vers le haut. Retirez la goupille d'arrêt de la barre stabilisatrice de l'échelle tel qu'illustré à la *figure 27*. Glissez la partie mâle de la barre stabilisatrice jusqu'à ce qu'elle entre en contact avec l'arbre tel qu'illustré aux *figures 37 et 38*. La barre stabilisatrice devrait être placée dans un angle perpendiculaire (angle de 90 degré) à partir de l'échelle tel qu'illustré à la *figure 37*. Re-insérez la goupille d'arrêt.

AVIS

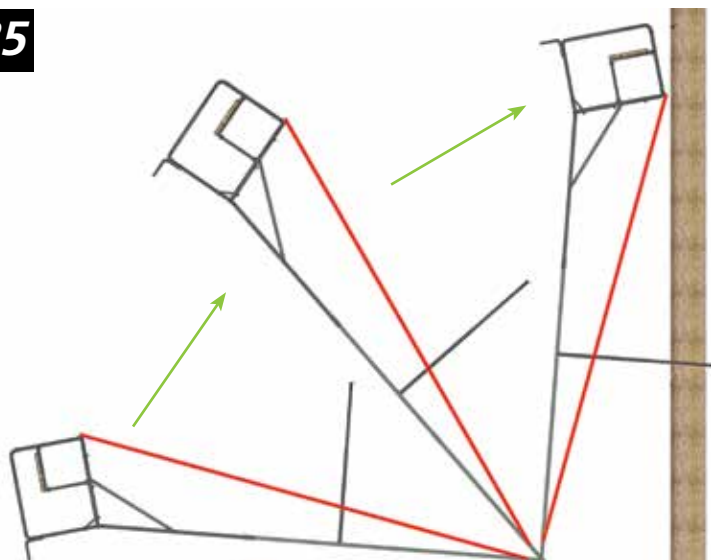
La barre stabilisatrice devrait être légèrement penchée vers le bas lorsque attachée correctement. Ceci est normal.

⚠ AVERTISSEMENT

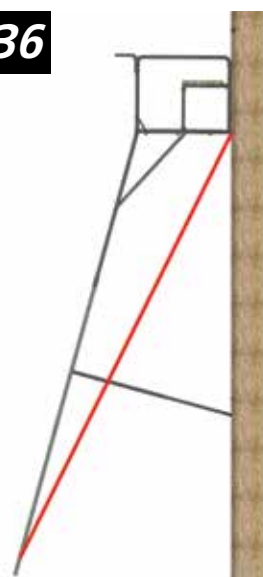
Ne forcez pas la barre stabilisatrice de l'échelle d'un côté à l'autre pour l'entrer en contact avec l'arbre.

6. Faites passer la corde de la barre stabilisatrice sur un côté de la barre stabilisatrice, autour de l'arbre et attachez-la de l'autre côté de la barre stabilisatrice.
7. Avec l'échelle en place et sécurisée par vos assistants, débouclez les deux grandes courroies stabilisatrices. Faites passer les longues courroies autour de l'arbre afin qu'elles forment un X (*figure 39*).

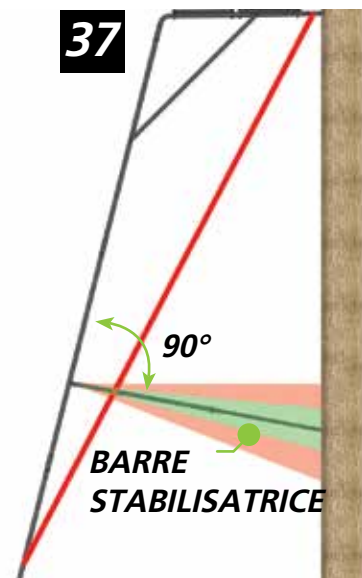
35



36



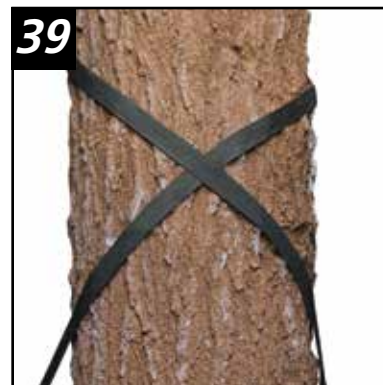
37



38



39



INSTALLATION (suite)

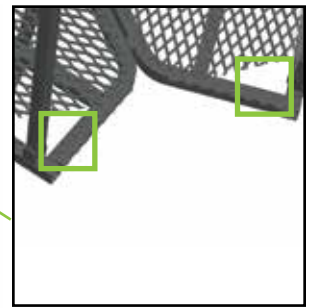
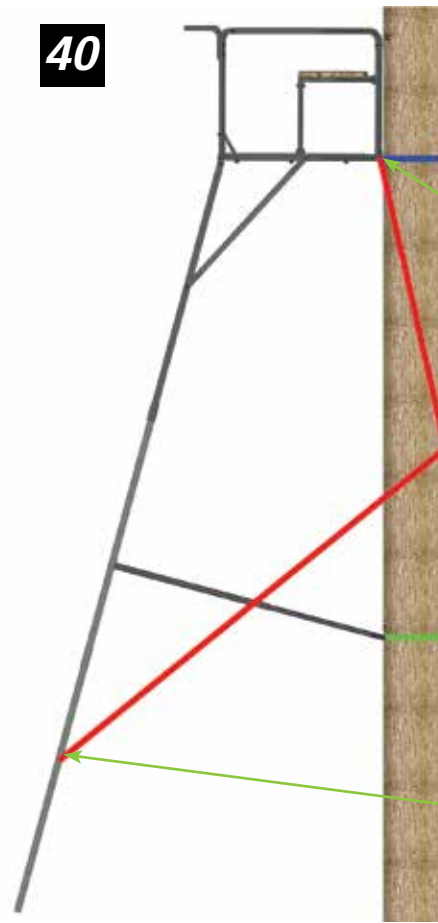
8. Connectez la courroie gauche à la boucle à came droite et connectez la courroie droite à la boucle à came gauche. Tirez le bout libre dans la boucle à came tel qu'illustré à la **figure 34**. Répétez pour chaque courroie des boucles à came. Ne serrez pas jusqu'à ce que les deux courroies soient en place. Alternez entre chaque courroie jusqu'à ce qu'elle soit serrée. Ne serrez pas trop fort. La **figure 40** illustre l'installation terminée des courroies principales.

9. Demandez à deux personnes de tenir l'échelle en place. Grimpez prudemment dans l'échelle. Lorsque vous serez au sommet et avant d'embarquer sur la plateforme, attachez **IMMÉDIATEMENT** votre courroie de sécurité et votre harnais à l'arbre.

10. Faites passer le bout excédentaire de la sangle dans la sangle (**figure 41**) et serrez afin de sécuriser la section supérieure à l'arbre.



40



⚠ AVERTISSEMENT

Ne sautez ou ne bondissez jamais sur toute partie du mirador pour forcer son adhésion à l'arbre.

⚠ AVERTISSEMENT

Vous **DEVEZ** maintenant mettre votre harnais de sécurité si ce n'est déjà fait. Veuillez **TOUJOURS** vous référer aux instructions de votre harnais incluses avec ce mirador pour l'utilisation correcte de votre harnais de sécurité.

⚠ AVERTISSEMENT

VOUS NE SEREZ PAS attaché à un câble ou une courroie de sécurité lorsque vous grimpez ou descendrez de ce mirador. **SOYEZ TRÈS PRUDENT** en montant ou en descendant de l'échelle. **PRENEZ VOTRE TEMPS**.

⚠ AVERTISSEMENT

Veuillez toujours avoir trois points de contact quand vous montez dans l'échelle de ce mirador. Veuillez toujours vous pencher vers l'avant lorsque vous montez.

UTILISATION

⚠ AVERTISSEMENT

TOUJOURS vérifier les connexions entre les sections de l'échelle à toutes les fois que vous utilisez le mirador. Si des sections de l'échelle se séparent, **N'UTILISEZ PAS LE MIRADOR!**

1. Grimpez et avant de mettre le pied sur la plateforme, attachez **IMMÉDIATEMENT** votre courroie de sécurité autour de l'arbre en haut de votre position assise. Veuillez **TOUJOURS** vous référer aux instructions du harnais inclus avec ce mirador pour l'utilisation correcte du harnais de sécurité et de la courroie de sécurité Summit.

2. **La longueur de la courroie d'encrage du harnais doit être minimalisée en tout temps.** Elle devrait être ajustée de sorte qu'elle soit plus haute que votre tête et n'ait pas de jeu lorsque vous êtes assis et vous devriez avoir un minimum de mou possible lorsque vous grimpez.

⚠ AVERTISSEMENT

Cette échelle **DOIT** être tenue en place pendant qu'elle est attachée à l'arbre et jusqu'à ce que le rochet supérieur soit mis en place. **NE L'UTILISEZ PAS** jusqu'à ce que toutes les courroies soient solidement attachées.



41

⚠ AVERTISSEMENT

N'ENLEVEZ JAMAIS votre harnais de sécurité ou votre ligne de sécurité lorsque vous utilisez ce mirador.

6 ENTRETIEN ET SOIN

- Le siège sur ces miradors est amovible. Nous recommandons qu'il soit enlevé et entreposé dans un endroit sec lorsqu'il n'est pas utilisé.
- Le fini powdercoat appliqué à l'usine est très durable et devrait requérir des retouches aux endroits d'usure prononcé ou aux endroits où un impact s'est produit. Utilisez une peinture en aérosol d'extérieur de bonne qualité pour couvrir le métal dénudé. **Ces miradors sont fait de métal donc les parties non-peinturées peuvent rouiller** - incluant tout endroit entaillé ou égratigné jusqu'au métal dénudé.
- Lors du transport du mirador Summit, assurez-vous qu'il soit bien attaché et assurez-vous que d'autres objets ne puissent frapper le mirador et l'endommager.

⚠ PRUDENCE

Essayez de voir s'il y a des encoches, des coupures, des fissures, des plis, de la corrosion ou tout autre dommage que pourrait occasionner une mauvaise utilisation ou des dommages accidentels. Par exemple, ceci pourrait se produire si une autre personne utilise ce mirador sans avoir les connaissances requises pour son utilisation correcte, ou si le mirador a été échappé, frappé par un véhicule automobile ou assujéti à de la rouille, etc.

Si vous endommagez une partie du mirador Summit, contactez votre détaillant autorisé Summit le plus près ou le fabricant pour obtenir la procédure corrective correcte et / ou un remplacement des pièces de votre mirador.

Les miradors Summit possèdent la plus haute intégrité du design structural, de sélection du matériel et des techniques de fabrication, mais en tant que propriétaire, seuls vos soins fréquents assureront une utilisation sans problèmes. Si les lignes directrices ci-haut sont suivies, votre mirador Summit vous procurera des années de succès à la chasse

7 SUSPENSION DU HARNAIS

Il est nécessaire et très important qu'une autre personne connaisse votre lieu de chasse et l'heure de votre retour. Il est également très important que vous ayez (en votre possession) un dispositif de communication d'urgence tel un téléphone cellulaire, une radio bidirectionnelle, un sifflet, une fusée de signalisation ou préférablement un DLP (Dispositif de localisation personnel - approuvé par le FCC - juillet 2003). Lorsqu'enclenché, ce DLP transmettra un signal d'urgence à l'équipe de secours locale et précisera votre position via des coordonnées GPS satellite. Un dispositif DLP peut être acheté dans un magasin de plein air ou sur internet.

Un traumatisme dû à la suspension ou à une interruption de la circulation sanguine peut survenir lorsque suspendu sans mouvement dans un harnais pour un période de temps. Une courroie de suspension de secours est fournie avec votre harnais. Lisez les instructions pour votre harnais pour vous assurer de l'utiliser adéquatement.

⚠ AVERTISSEMENT

Si vous devez vous suspendre à l'arbre en attendant des secours, vous devez exercer vos jambes en poussant sur l'arbre ou en utilisant la courroie de suspension de secours incluses. Voir les instructions du harnais du mirador et les instructions incluses pour plus d'information.

Une auto-extraction sera peut-être nécessaire advenant une des situations malheureuses suivantes A) Personne ne connaît votre localisation, B) Vous avez épuisé tous vos moyens de communication, C) Vous avez confiance en votre capacité physique, votre dextérité et votre habileté pour vous libérer et D) vous décidez que ceci est votre dernier recours. Il est nécessaire d'avoir en votre possession un dispositif pour aider à l'auto-extraction. Des dispositifs simples tels des marches vissées ou une corde "Tree Descender" (disponible chez Summit) vous permettra d'éliminer le poids sur votre harnais. Ceci vous pourrait vous permettre de revenir au mirador, à l'échelle ou aux

marches vissées ou vous permettra de descendre lentement vers le sol.

Plusieurs produits/systèmes optionnels sont disponibles et permettent une auto-récupération ou auto-extraction suite à une chute lorsque suspendu dans un harnais. Le retour au sol, de toute évidence, enlève le traumatisme de suspension et d'autres systèmes descendent l'utilisateur automatiquement tandis que d'autres donnent le contrôle à l'utilisateur. Si un de ces produits/systèmes est choisi pour utilisation à titre de système de précaution additionnel de sécurité contre une suspension prolongée, assurez-vous de suivre les directions du fabricant pour l'utilisation sécuritaire.

8 GARANTIE LIMITÉE

(A) Garantie

La compagnie Summit Treestands, LLC (Summit) garantie à l'acheteur original que tous ses produits manufacturés sont sans défauts du matériel et de fabrication lors de l'expédition et ce pour douze (12) mois à partir de la date d'achat. Summit remplacera toute pièce défectueuse si le module soi-disant défectueux est retourné à Summit port payé, à l'intérieur de la période de garantie.

Cette garantie ne s'applique pas à tout produit qui aurait subi un usage impropre ou abusif, négligé (notamment un mauvais entretien); accident; mauvaise installation, modification (notamment l'utilisation de pièces non-autorisées ou pièces ajoutées); ajustement ou réparation. LA GARANTIE MENTIONNÉE PRÉCÉDEMMENT REMPLACE TOUTE AUTRE GARANTIE, MENTIONNÉE EXPRESSÉMENT OU IMPLICITEMENT (INCLUANT LES GARANTIES DE COMMERCIALISATION ET D'ADAPTATION DE TOUT PRODUIT À UN OBJECTIF PARTICULIER), ET TOUTE AUTRE OBLIGATION DE RESPONSABILITÉ DE LA PART DE LA COMPAGNIE.

(B) Limitation de responsabilité

Il est expressément entendu que la responsabilité de Summit pour ses produits, que ce soit dû à une violation de la garantie, de la négligence, de la responsabilité sans faute ou autrement, est limitée à la réparation du produit, tel que mentionné ci-haut, et Summit ne sera pas responsable pour toute blessure, perte, dommage ou frais encourus, que ce soit une cause directe ou indirecte, notamment de la perte d'usage, de salaire ou dommage matériel résultant de la vente, de l'installation, de l'utilisation ou l'incapacité d'utiliser le produit, ou la réparation ou le remplacement des produits de Summit.

Summit se réserve le droit de faire des modifications ou transformations à ses produits en tout temps, qui, selon son opinion, pourrait améliorer la performance et l'efficacité du produit. Summit n'est pas obligé de faire ces modifications ou transformations aux produits déjà en service.

Veillez prendre le temps de remplir la carte de garantie en ligne à l'adresse <http://www.summitstands.com/warranty> ou de remplir la carte ci-jointe et de l'envoyer par la poste.