



Instruction Booklet

2006

Summit ATV Plot Mule

PN 84006

Summit ATV Plot Mule / Spreader / Cultipacker

PN 84012

Summit ATV Plot Mule / Cultipacker

PN 84010



Please read carefully **BEFORE** using your new Summit ATV Product.

Congratulations! You have purchased the finest commercially available ATV implement on the market today. Summit ATV Products are designed and built to provide years of trouble-free, successful use. This booklet is provided to you to outline the recommended use, care and maintenance of your Summit ATV Product.

Warnings and Precautions

- **FAILURE TO READ, UNDERSTAND AND FOLLOW THESE INSTRUCTIONS MAY LEAD TO SERIOUS INJURY OR DEATH!**
- **READ, UNDERSTAND AND OBEY YOUR ATV'S INSTRUCTION / SAFETY MANUAL BEFORE USING THIS PRODUCT! ALWAYS WEAR A HELMET!**
- **DO NOT EXCEED A SAFE SPEED FOR THE TERRAIN AND SOIL CONDITIONS ENCOUNTERED! NEVER USE ON STEEP SLOPES! NEVER EXCEED YOUR RIDING CAPABILITIES!**
- **DO NOT EXCEED YOUR ATV'S MAXIMUM RATED TOWING CAPACITY - MINIMUM SIZE ATV REQUIRED - 450cc!**
- **DO NOT OPERATE IF YOU HAVE BEEN USING DRUGS OR ALCOHOL!**
- **SUMMIT'S LINE OF ATV IMPLEMENTS ARE DESIGNED FOR USE WITH AN ATV OR GARDEN TRACTOR ONLY. DO NOT USE WITH A CAR, TRUCK OR ANY OTHER VEHICLE!**
- **SUMMIT'S LINE OF ATV IMPLEMENTS ARE NOT DESIGNED FOR HIGH SPEED TRANSPORT ON PUBLIC ROADS!**
- **YOU MUST USE A 2" BALL TO CONNECT THE PLOT MULE TO YOUR ATV!**
- **DO NOT USE THE PLOT MULE FOR HUMAN TRANSPORTATION!**
- **KEEP BYSTANDERS AND CHILDREN CLEAR WHEN OPERATING!**
- **KEEP HANDS, FINGERS AND FEET CLEAR OF ALL POTENTIAL PINCH POINTS DURING ADJUSTMENT AND OPERATION - FAILURE TO DO SO MAY RESULT IN SERIOUS INJURY OR DEATH!**
- **CHECK AND RETIGHTEN ALL BOLTS PRIOR TO EACH USE!**
- **AFTER USE WITH FERTILIZERS OR OTHER CHEMICALS, THOROUGHLY RINSE WITH CLEAN WATER!**
- **LUBRICATE ALL MOVING PARTS AFTER EVERY USE!**
- **USE CAUTION WHEN CUTTING THE BANDING MATERIAL HOLDING THE PLOT MULE TO THE SHIPPING SKID. BANDS MAY BE UNDER TENSION AND WILL HAVE SHARP EDGES!**
- **BEWARE OF THE FOLLOWING PINCH POINTS:**
 - **PLOT MULE GANG TUBE ADJUSTMENT - SECTION 3, PART 2 - KEEP FINGERS AWAY FROM U-BRACKET AND GANG TUBE!**
 - **PLOT MULE COUPLER ADJUSTMENT - SECTION 3, PART 3, STEP 2 - KEEP FINGERS AWAY FROM COUPLER JOINT!**
 - **RAISING AND LOWERING DISC BLADES - SECTION 3, PART 3 - KEEP FEET, LEGS AND ARMS AWAY FROM THE DISCS WHEN THEY ARE BEING RAISED OR LOWERED!**

Section 1. Assembling Your New Plot Mule.

Part 1. Tongue attachment.

Step 1. Remove the two bolts on each U-bracket attached to the front of the frame as shown in **Figure 1**.

Step 2. Position the Tongue Assembly and line up the bolt holes with the holes in the U-Brackets.

Step 3. Reinsert the bolts and wrench tighten as shown in **Figure 2**.

Part 2. Cultipacker attachment (PN 84010 and 84012).

Step 1. Remove the two bolts on the Cultipacker attachment.

Step 2. Position the Cultipacker as shown in **Figure 3**. The two welded on support braces should face up.

Step 3. Reinsert the bolts and wrench tighten.

NOTE: Cultipacker will not fold up if Spreader is attached.

Part 3. Spreader attachment (PN 84012).

Step 1. Check to make sure you have all the proper parts to mount your spreader.

You should have received the following:

1 - Spreader with Lid

1 - Seed guard with two screws and nuts

2 - Ratchet straps

1 - Wiring harness with controls

1 - Spreader to 1" receiver bracket with L shaped Clevis pin.

1 - Spreader use instructions.

Step 2. Attach the Seed guard to the Spreader frame as shown in **Figure 4**.

Step 3. Slide the 1" receiver bracket into the Plot Mule and secure with the Clevis pin as shown in **Figure 5**.

Step 4. Drop the Spreader into the receiver bracket as shown in **Figure 6**.

Step 5. Use the two supplied ratchet straps to secure the Spreader to the Plot Mule. The straps run from the central eyelet on the Spreader (See **Figure 7**) to the front of the Plot Mule (See **Figure 8**).

Step 6. Hook up the Spreader motor and the Seed Gate wiring harness. The harness is keyed for proper attachment.

Step 7. WARNING! Be sure to run the wiring harness away from any moving parts on the Plot Mule (See **Figure 9**). It is recommend that the harness be secured with wire ties so that it does not come loose during use. Connect the wiring harness to your ATV's power source.

Please consult the enclosed spreader instructions for proper use. **NOTE:** this item **DOES NOT** ship with the ATV attachment brackets shown in the Enclosed Moultrie instructions. Please contact Moultrie Feeders - www.moultriefeeders.com - for more information.

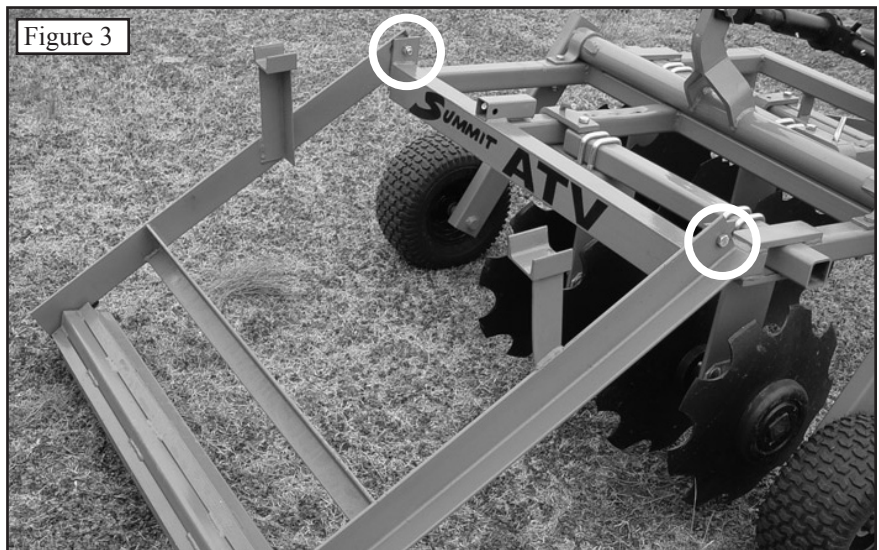
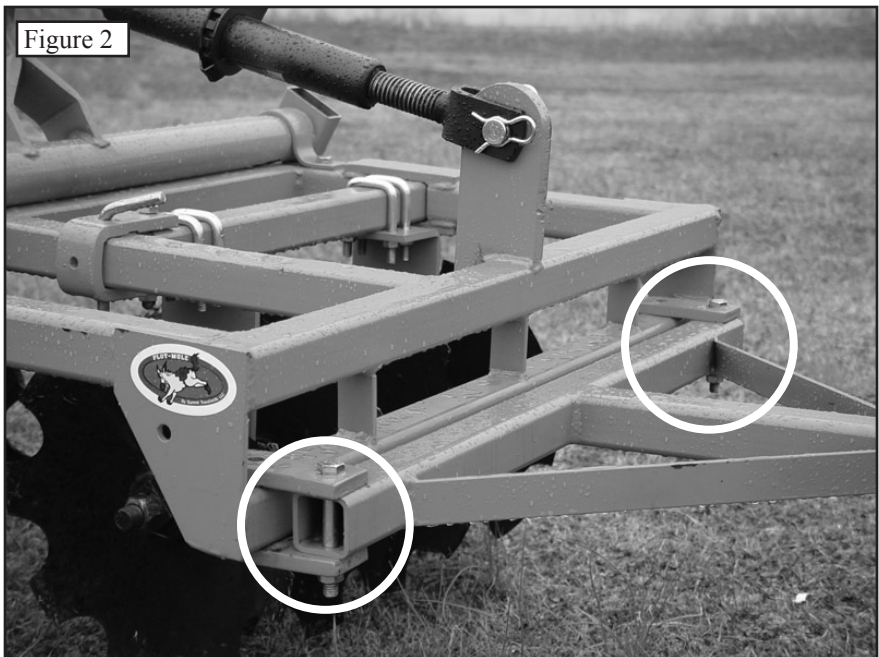
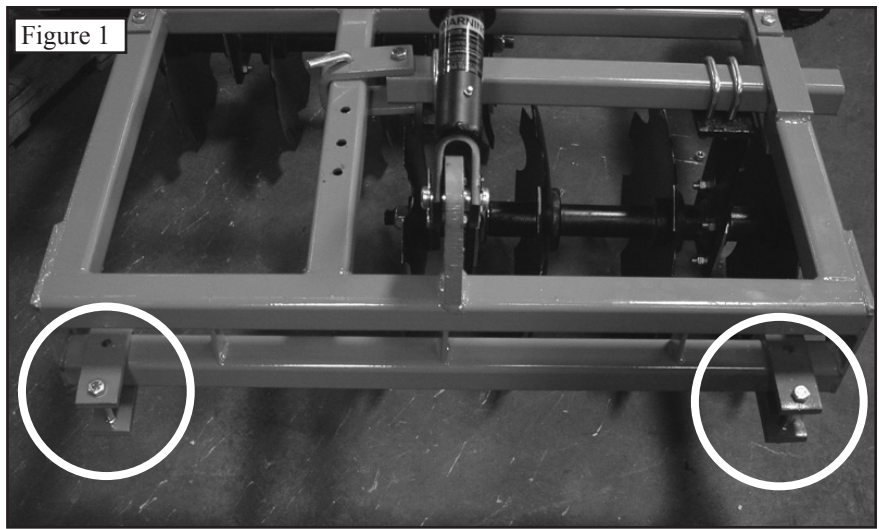
Section 2. Maintenance and Care of Your Plot Mule.

Part 1. Grease fittings.

- Wheels - After each use.
- Hand Ratchet - As needed.
- Cultipacker Bearing - As needed.

The Disc blades use sealed bearings.

Replacement parts are available at www.summitATV.com



Section 3. Use of your Plot Mule

Part 1. Transporting.

WARNING! OFF ROAD USE ONLY! MINIMUM ATV SIZE 350cc.

Use the Hand Ratchet to lower the wheels all the way until the disc blades clear the ground.

WARNING! The Plot Mule tracks wider than an ATV! Take care when operating around trees or when towing down trails!

Part 2. Setting the Disc Angle.

There are 4 cutting angles for various soil types or cutting applications. (See **Figure 10**). To adjust, pull the clevis pin from the U-Bracket. Slide the gang assembly to the desired hole and reinsert the clevis pin and retaining pin as shown in **Figure 11**.

Angles and recommend use:

- 0° This setting can be used to level ground, aerate or cover seed.
- 10° This setting can be used for leveling, light discing or for covering seed.
- 15° This is the Manufacturers suggested setting for most soil types. It is aggressive enough for most conditions and it reduced the load on the ATV.
- 20° This is the most aggressive setting and is generally used on hard compacted soils such as clays or if the area is covered with heavy vegetation. **CAUTION! This setting requires more pulling power from the ATV. Use caution not to overheat the ATV! If overheating does occur, decrease the disc angle or lower the wheels to reduce the cutting depth. It is recommended to use the lowest gear of the ATV for all operation using the 20° setting. Discontinue use if overheating continues!**

Part 3. Setting cutting depth.

Step 1. Turn the Hand Ratchet until both sets of discs are on the ground. Keep turning the ratchet and lift the wheels off the ground. Note the distance from the wheel to the ground - this is the approximate depth that the disc will cut. To lower the wheels, flip the small lock on the ratchet and turn the other direction.

Step 2. Adjust the coupler bracket so that the Plot Mule sits level with the discs on the ground and the tires raised. Adjustment can be made by removing the clevis pin and raising or lowering the bracket as shown in **Figure 12**.

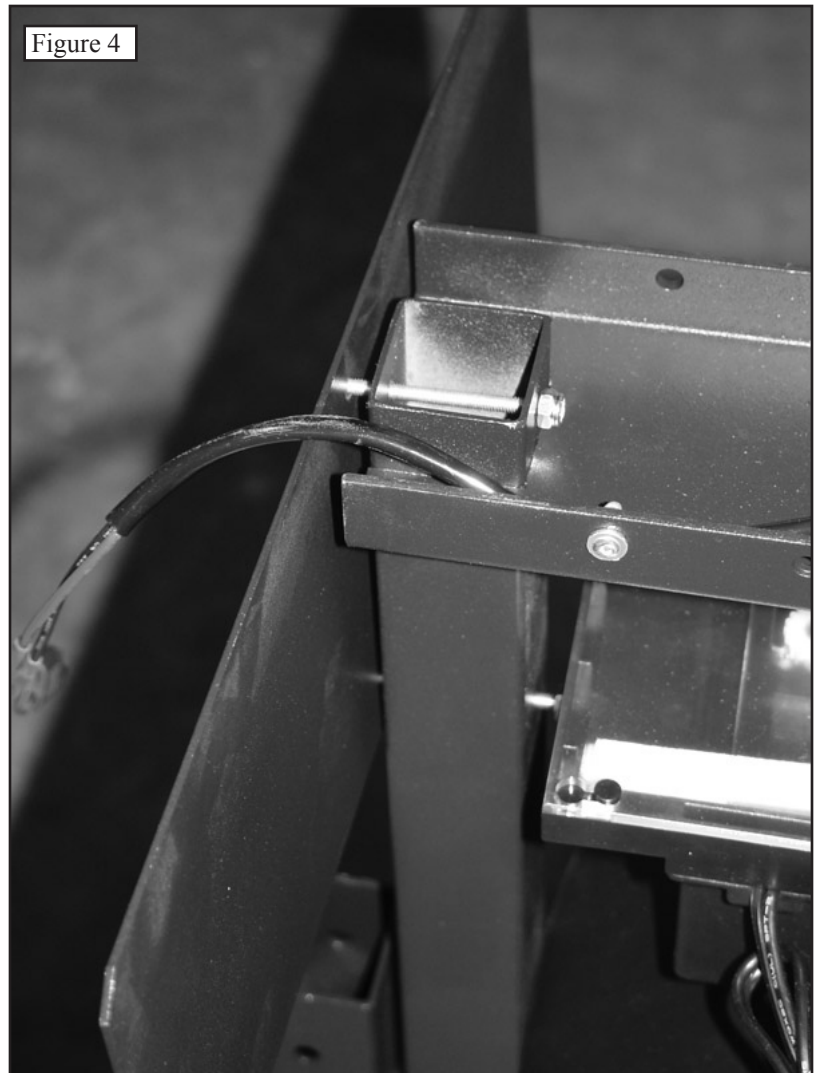


Figure 4

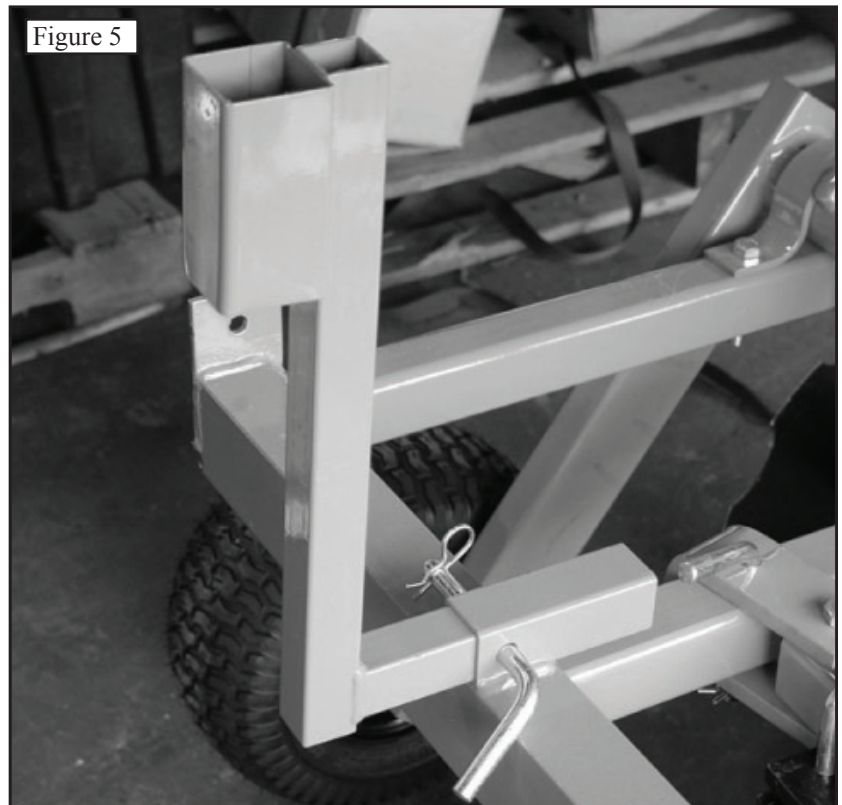


Figure 5

Figure 6



Figure 7



Figure 8

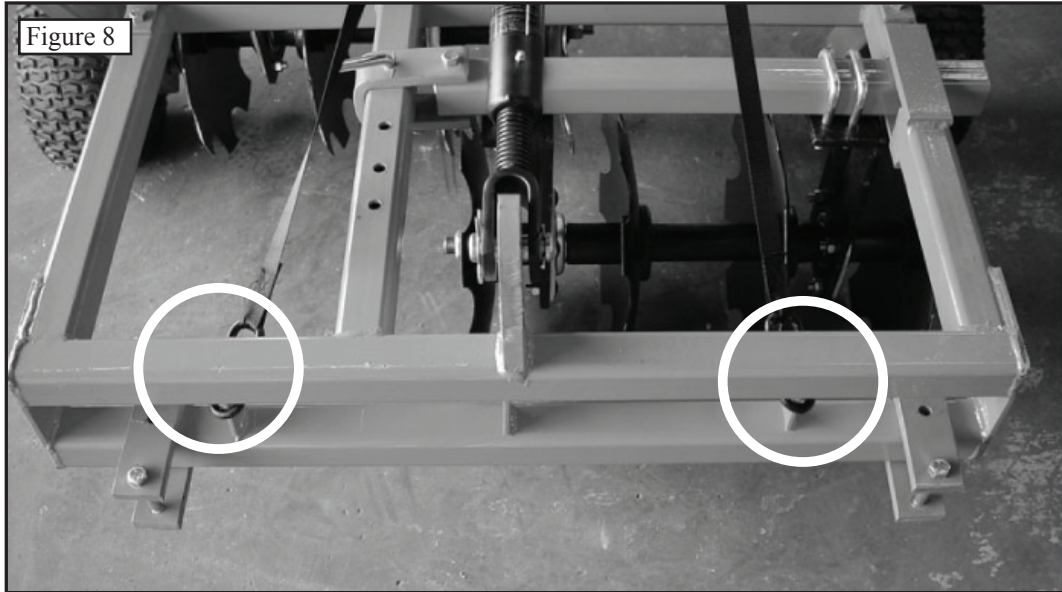


Figure 9

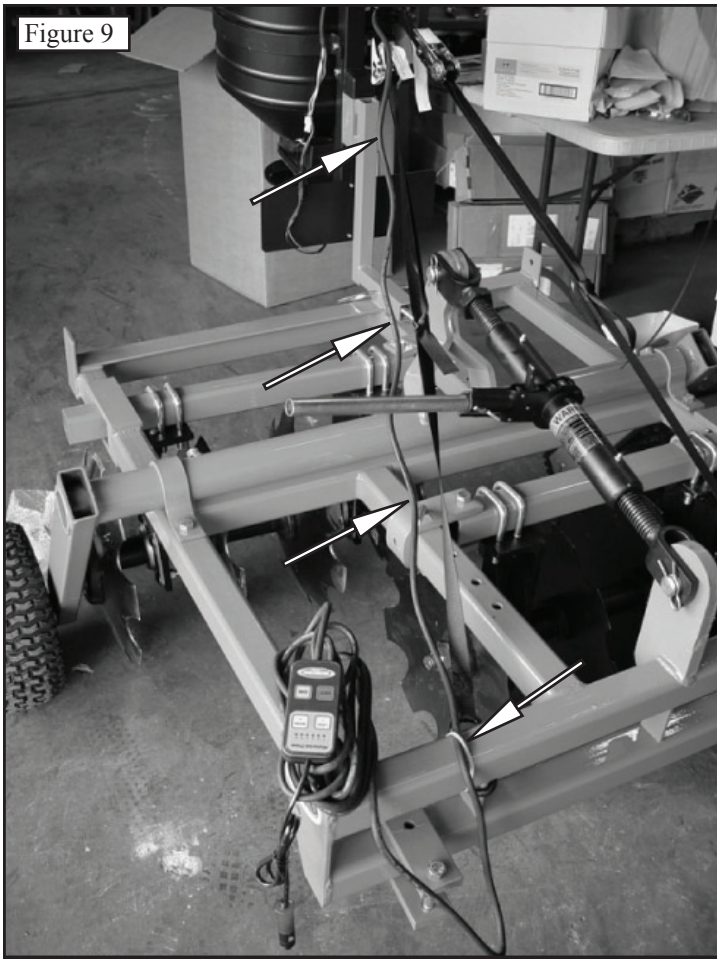


Figure 10

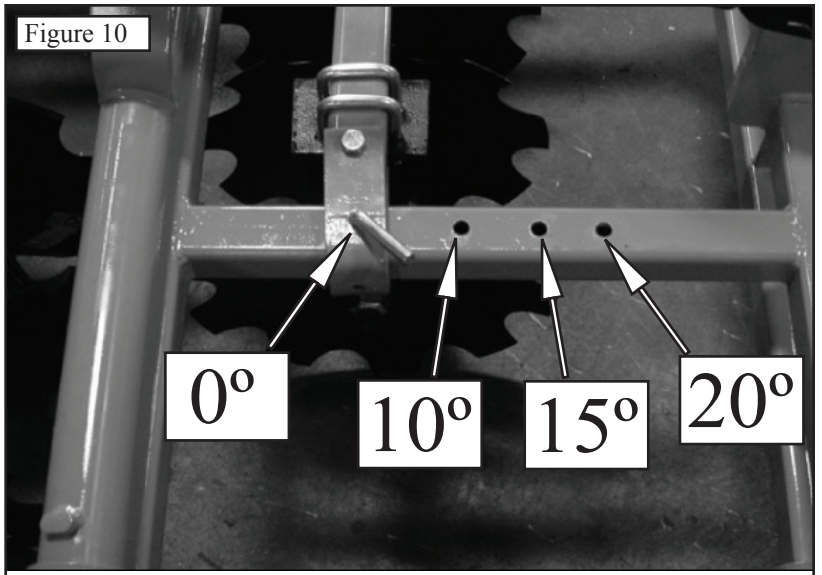


Figure 11

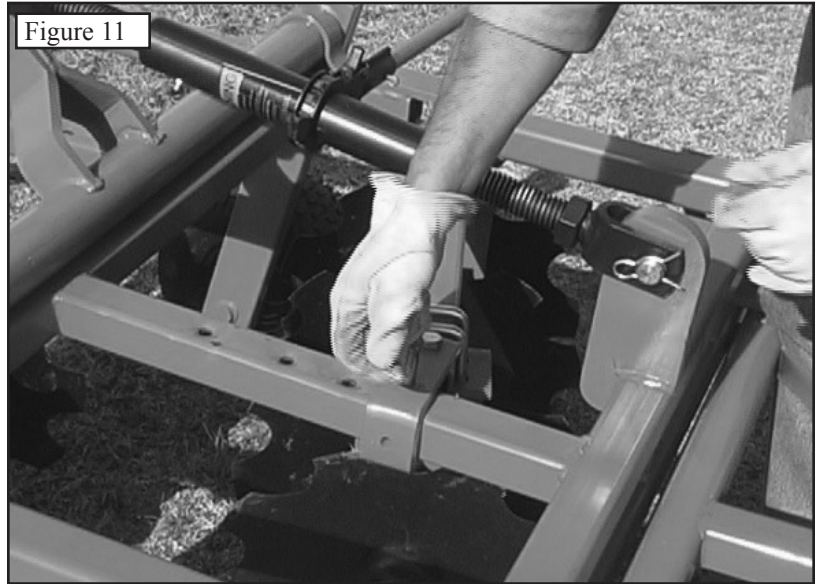


Figure 12



Limited Warranty**(A) Warranty**

Summit Treestands, LLC (Summit) warrants to the original retail purchaser that all products manufactured by it are free from defects in material and manufacture at the time of shipment for twelve (12) months from the date of purchase. Summit will repair or replace any part found defective if the unit claimed to be defective shall be returned to Summit, postage prepaid, within the warranty period.

This warranty shall not apply to any product which has been subjected to misuse; misapplication; neglect (including but not limited to improper maintenance); accident; improper installation; modification (including but not limited to use of unauthorized parts or attachments); adjustment or repair. THE FOREGOING IS IN LIEU OF ALL OTHER WARRANTIES, WHETHER EXPRESS OR IMPLIED (INCLUDING THOSE OF MERCHANTABILITY AND FITNESS OF ANY PRODUCT FOR A PARTICULAR PURPOSE), AND OF ANY OTHER OBLIGATION OF LIABILITY ON THE PART OF THE COMPANY.

(B) Limitation of Liability

It is expressly understood that Summit's liability for its products, whether due to breach of warranty, negligence, strict liability, or otherwise, is limited to the repair of the product, as stated above, and Summit will not be liable for any other injury, loss, damage, or expense, whether direct or consequential, including but not limited to loss of use, income, profit, or damage to material, arising in connection with the sale, installation, use of, inability to use, or the repair or replacement of Summit's products.

Summit reserves the right to make alterations or modifications in its products at any time, which in its opinion, may improve the performance and efficiency of the product. It shall not be obligated to make such alterations or modifications to products already in service.

Please fill out the warranty card on the back of these instructions and return to:

SUMMIT Treestands, LLC.
715 Summit Dr.
Decatur, AL 35601

You can also register your warranty card on line at:

www.summitstands.com/warranty.aspx

Replacement Parts List:

PN	Description
55114	Wheel with Tire
15400	Hand Ratchet
15523	Clevis pin
15198	Individual Disc
15415	Sealed Disc Bearing
25200	Disc Standard
15412	3 1/2" Disc Casting
15411	2 1/4" Disc Casting
15410	7 1/2" Disc Casting
15413	1 1/8" Disc Casting

©(STLLC 2006)

Cut Along Line

Cut Along Line

Warranty Card for Summit ATV Product

Item Purchased: Plot-Mule 84006 PM / Cultipacker 84010 PM / Cultipacker / Spreader 84012

Owners Name: _____ Street Address: _____

City: _____ State: _____ ZIP: _____ Phone: (____) _____

Date Purchased: _____ Purchased From (Dealer Name): _____ Price \$: _____

Your heard about us through: Magazine Advertisement Video Friend Summit Catalog

Other Please Explain: _____