

Follow the instructions at left to attach the Bow Holder or Gun Holder to your treestand.

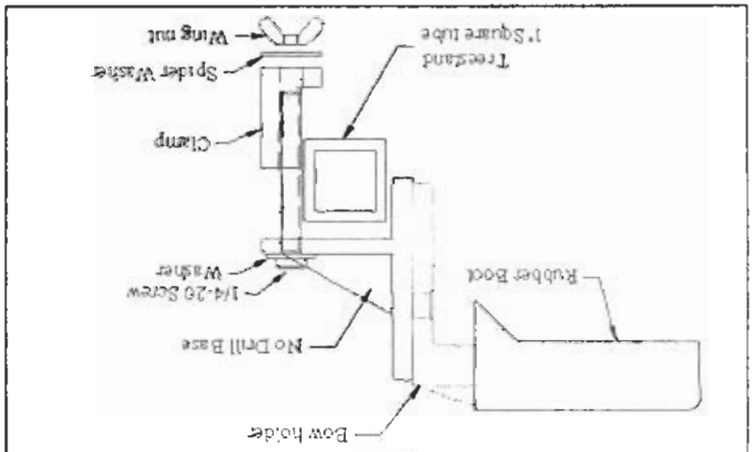
The Bow Holder is best suited for attachment to the angled tubing on the treestand platform. The Bow Holder can be rotated after bow to sit at the angle you prefer. A shim has been provided. If your attachment location is 1 inch square tubing, you will not need the shim. The top illustration is the Bow Holder with no shim required. The middle illustration is the Bow Holder with the shim required (1.1" tubing).

The Gun Holder (bottom illustration) is best suited for attachment to the top (climber) portion of your treestand. You will need to determine the best location depending on whether you are a right/left hand shooter, etc. There are two identical units included with your Gun Holder.

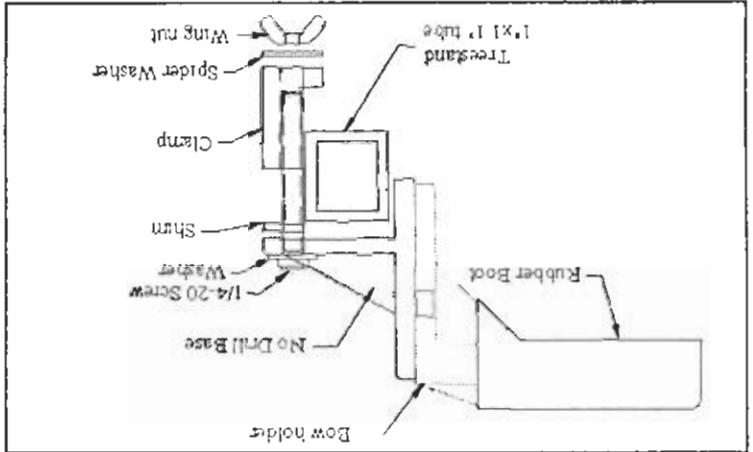
*Shim*



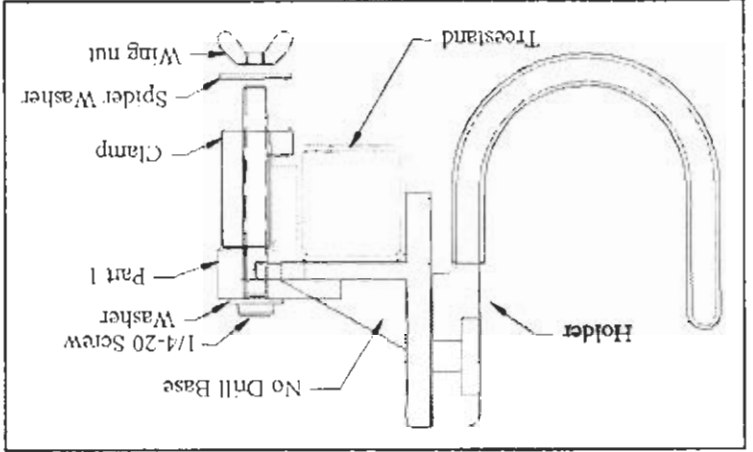
TREESTANDS, LLC  
715 Summit Drive  
Decatur, AL 35601  
256-353-0634



Bow Holder for 1" square tube (no shim)



Bow Holder for 1.1" tube (shim required)



Gun Holder