

Here's How Summit's Premium Bow Sight will help you...

HOT DOT

{ KILL THE EXCUSES }

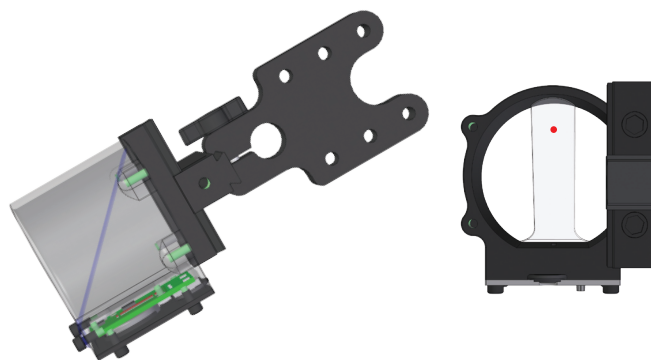
- Vertically or Horizontally oriented pins? Neither with Summit's new Hot Dot. Clear, reflective "screen" provides full "field of view" on your target. Only one dot stands between you and your quarry.
- Vary the intensity of the dot with an easy to reach knob - no tools required. Early in the day you might want a brighter dot; later in the day a less intense dot. It's your choice.
- Multiple settings for multiple uses. You can, by way of a simple wheel, toggle between single pin, multiple pin, and pendulum mode.
- Set your bow up for a thirty yard shot at ground level, and every shot from thirty in is a breeze. The 100% clear field of view lets you see the entire animal, helping you make a quick, clean, effective shot.
- Simple to set up for peep, kisser button, both, neither, and on and on.



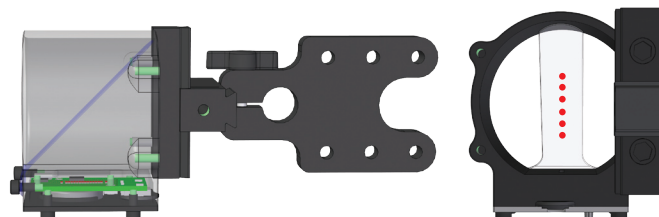
Pendulum Mode:
Set up your single 30 yard pin at ground level and shoot with confidence.



Pendulum Mode:
Down angle from your stand, animal at closer range? The dot adjusts as you tilt your bow.

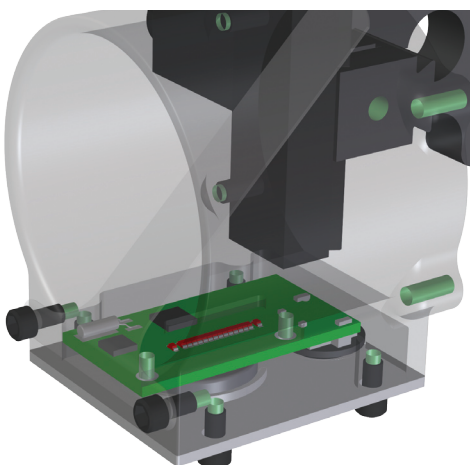


Pendulum Mode:
Extreme down angle from your stand, Hot Dot shows you the perfect pin.



Fixed Pin Mode:
You set the pins, you decide how many are displayed; up to six available.

The sight does the work for you. In pendulum mode you will see only the dot you need. No guessing!



Multiple Modes fit the Way YOU Hunt.



Universal design
- Mounts on the right or left side

Built in electronic level keeps you and your bow in ideal shooting position
- The LED aiming point switches off if the bow is tilted too much to the side.

Large unobstructed view of target - no pins blocking your shot

Rotating wheel allows you to easily select between Pendulum, Single Pin and Multiple Pin modes

Easy to reach power switch and LED brightness knob - No tools required



*Patent Pending



Thumb screws ensure a quick and easy setup



Battery Saver Mode - sight powers down after 5 minutes and can be turned back on instantly when you pick up your bow.