

Single Shot

Instruction Booklet - 2006

You **MUST** also view the enclosed DVD **BEFORE** using your new treestand!!
Weight Limit 300 lbs. total.
Tree Size: 8" - 20"

READ ME FIRST!!!

Please read carefully **BEFORE** using your new Summit Single Shot Ladder Treestand.

Congratulations! You have purchased the finest commercially available ladder treestand on the market today. Summit Ladder Treestands are designed and built to provide years of trouble-free, successful hunting with a minimum of maintenance and care. They are certified to meet the requirements of the Treestand Manufacturers Association (TMA) Standards. This booklet is provided to you to outline the recommended use, care and maintenance of your Summit Ladder Treestand.

Warnings and Precautions

- **YOU MUST FULLY READ, UNDERSTAND AND FOLLOW THESE INSTRUCTIONS!**
- **BE SURE YOU MAINTAIN FULL BODY SAFETY HARNESS ATTACHMENT TO THE TREE AT ALL TIMES ONCE YOU ARE ON THE PLATFORM OF THE LADDER STAND.**
- **DO NOT USE THIS OR ANY OTHER TREESTAND IF YOU HAVE BEEN USING DRUGS OR ALCOHOL OR ARE PHYSICALLY IMPAIRED IN ANY WAY!**
- **FOR YOUR SAFETY, DO NOT USE ANY TREESTAND DURING STORMS, WHEN TREES ARE WET OR ICY, OR ON TREES THAT ARE LEANING OR THAT APPEAR DEAD OR DISEASED!**
- **DO NOT USE ANY TREESTAND IF YOU HAVE NOT FOLLOWED THE MANUFACTURERS CARE AND MAINTENANCE GUIDELINES!**
- **NEVER ALLOW THE SAFETY HARNESS TETHER TO GET UNDER OR AROUND YOUR NECK!**
- **IT IS IMPORTANT THAT YOU REMEMBER TO BE PREPARED IF YOU HAPPEN TO FALL AND EMPLOY YOUR SAFETY HARNESS WHILE IN A TREESTAND. STAY CALM AND DO NOT PANIC. YOU MUST BE PREPARED TO RECOVER FROM YOUR FALL BY EITHER CLIMBING BACK ONTO YOUR TREESTAND OR USING A DEVICE SUCH AS THE "TREE DESCENDER" (AVAILABLE FROM SUMMIT, WWW.SUMMITSTANDS.COM, 256-353-0634). PRIOR TO HUNTING: YOU MUST NOTIFY SOMEONE OF YOUR HUNTING LOCATION AND WHEN YOU WILL RETURN!**
- **DO NOT USE ANY TREESTAND UNLESS YOU ARE IN GOOD PHYSICAL SHAPE. THE ABILITY TO DO SEVERAL PUSH-UPS, CHIN-UPS, SIT-UPS, ETC. IS REQUIRED FOR YOUR SAFETY!**
- **ALWAYS USE A HAUL LINE TO RAISE AND LOWER UNLOADED FIREARMS AND BOWS!**
- **NEVER CLIMB WITH ANYTHING IN YOUR HANDS OR ON YOUR BACK - USE A HAUL LINE!**
- **PRACTICE USING YOUR SAFETY HARNESS AT A LOW LEVEL (5 FEET) UNTIL YOU MASTER ITS USE.**
- **BE WELL RESTED AND NEVER GET IN A HURRY. HURRYING CAUSES ACCIDENTS!!**
- **IF YOU LOAN OR SELL THIS TREESTAND, IT IS YOUR RESPONSIBILITY TO FURNISH THE BUYER A COPY OF THESE INSTRUCTIONS AND THE VIDEO THAT CAME WITH THE TREESTAND. MAKE SURE THEY WATCH THE VIDEO AND READ / UNDERSTAND THE INSTRUCTIONS!**
- **FAILURE TO FOLLOW THESE INSTRUCTIONS MAY CAUSE SERIOUS INJURY OR DEATH!!**

Warning

Before each use of your Summit Ladder Treestand, **ALWAYS** inspect the treestand for any structural damage, cracks, cable wear or abrasion that may have occurred in transporting your treestand. **DO NOT USE IF ANY DAMAGE IS FOUND!** **DO NOT** leave your treestand outdoors when it is not being used. **Any tubing that is allowed to fill with rainwater and freeze WILL rupture or burst.** **DO NOT** use your treestand if this happens.

Section 1. Assembling Your Single Shot Ladder Treestand.

Please refer to the last three pages in this instruction booklet for parts lists and exploded view drawings. Please contact us at www.summit-stands.com or 256-353-0634 to obtain any missing parts.

Part 1. Ladder Column Assembly.

Step 1. Bolt together two of the bottom column assemblies. To do this, lay both assemblies down and butt them together as shown in **Figure 1**. Lay one coupler plate across the joint and bolt together using two 2 3/4" long bolts and lock nuts. See **Figure 2**. Repeat for the other side.

Step 2. Repeat this process again so that you have a total of 3 bottom column assemblies bolted together. Set this assembly aside.

Part 2. Arm Rest and Platform Assembly.

Step 1. Lay the top column assembly down as shown in **Figure 3**. Note that the welded on brackets are facing up and the rungs are located to the right.

Step 2. Bolt the arm rest assembly to the left most set of welded on tabs. The two tabs on the arm rest bar must face toward the right as shown in **Figure 4**. Use two 1 1/2" bolts and lock nuts to secure both sides.

Step 3. Bolt the platform assembly to the top column assembly. Use the two holes drilled into the end of the platform tubing. You will use the middle set of brackets on the top column assembly as shown in **Figure 3 and Figure 5**. Note the orientation of the platform. The welded on brackets will face toward the arm rest assembly bar and smooth part of the rungs will face up. Use two 1 1/2" bolts with lock nuts per side to secure.

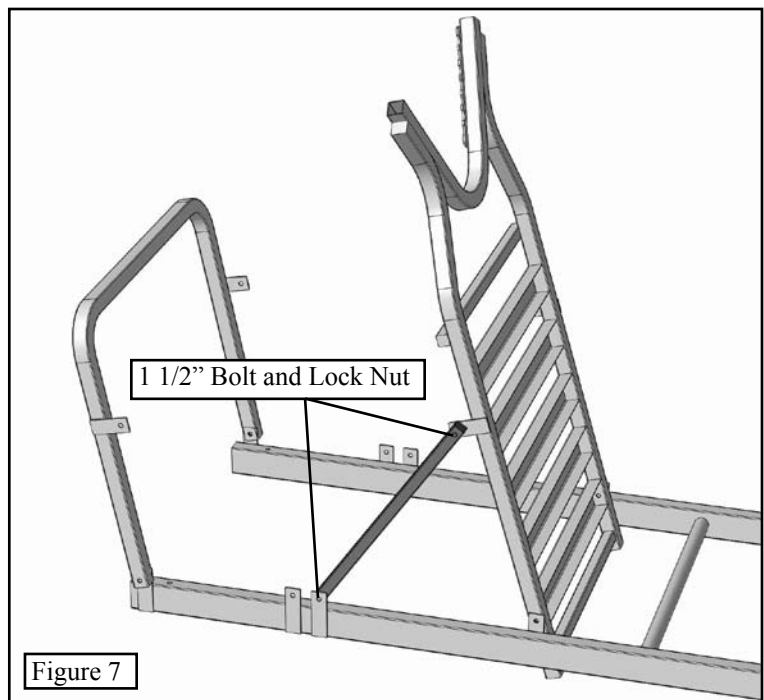
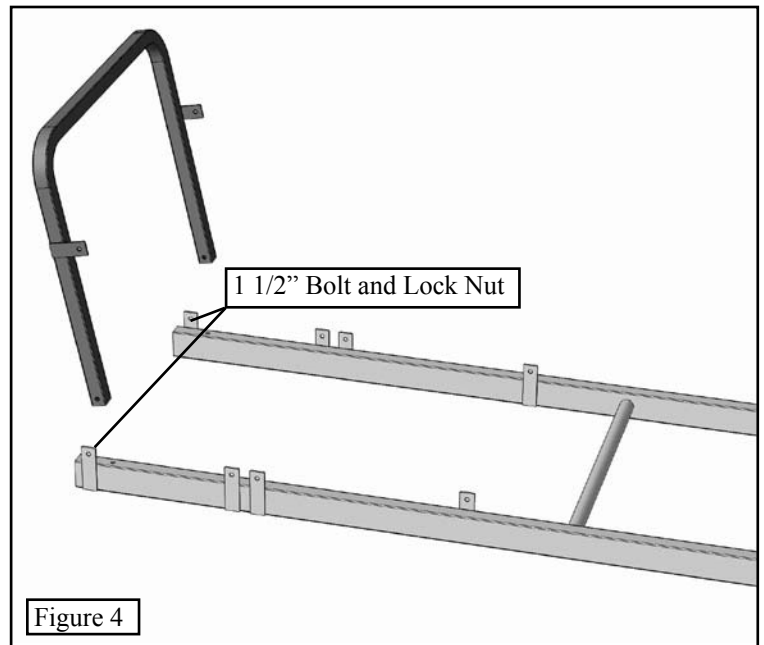
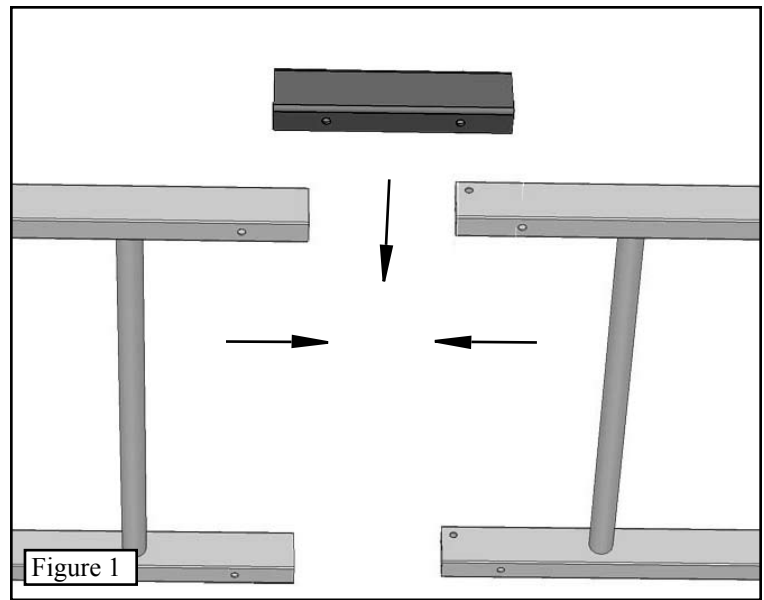
For the following two steps, run all bolts from the inside out to put the nut on the outside of the stand.

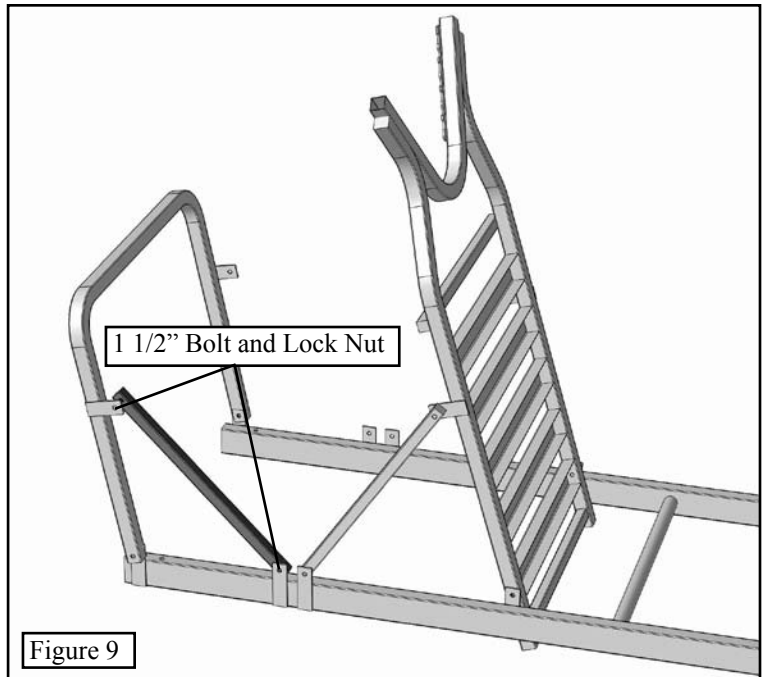
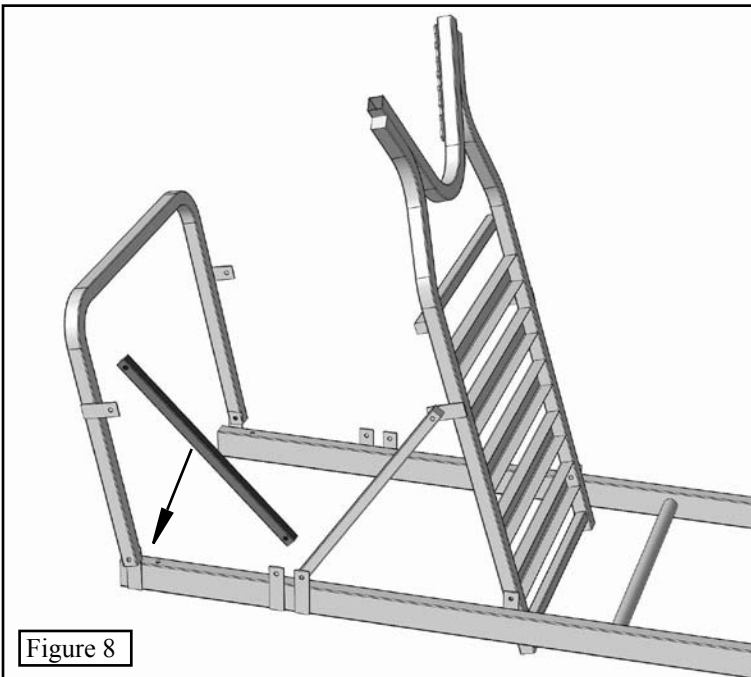
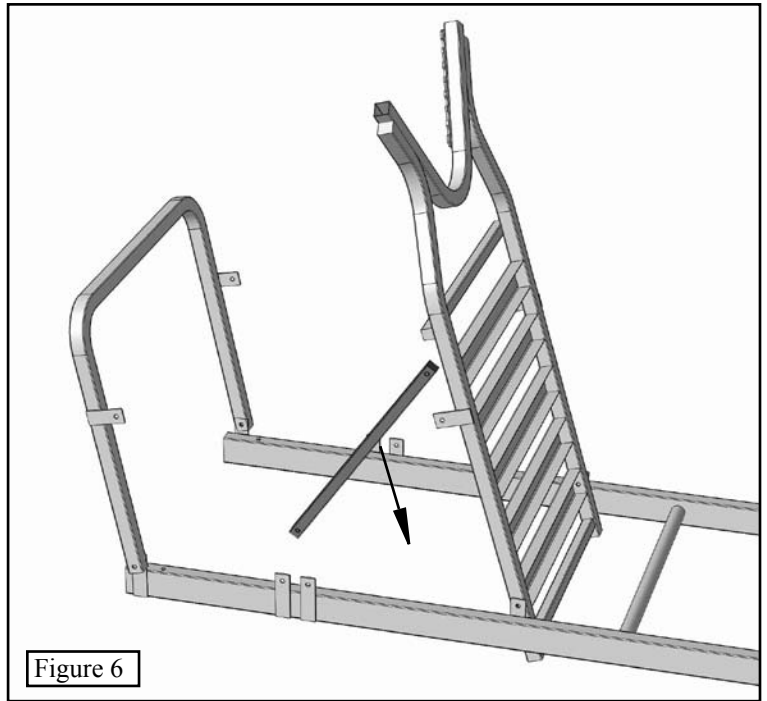
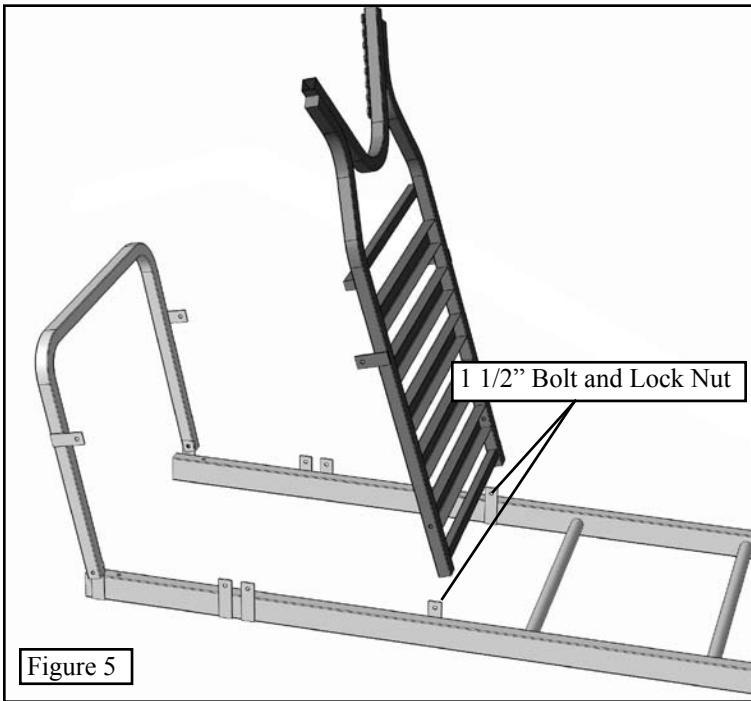
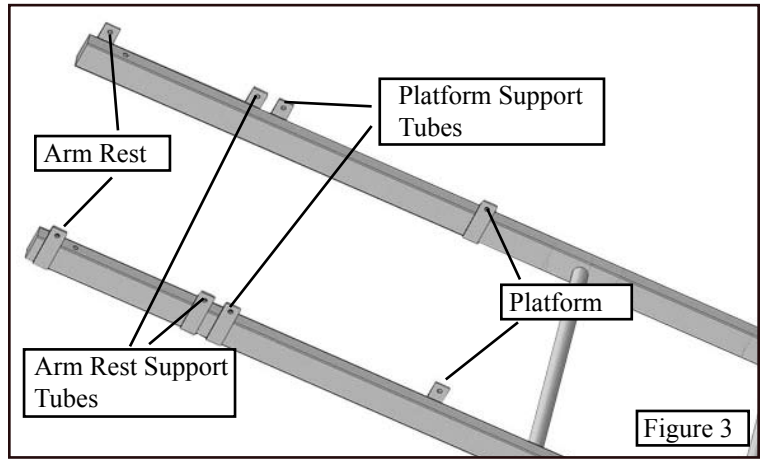
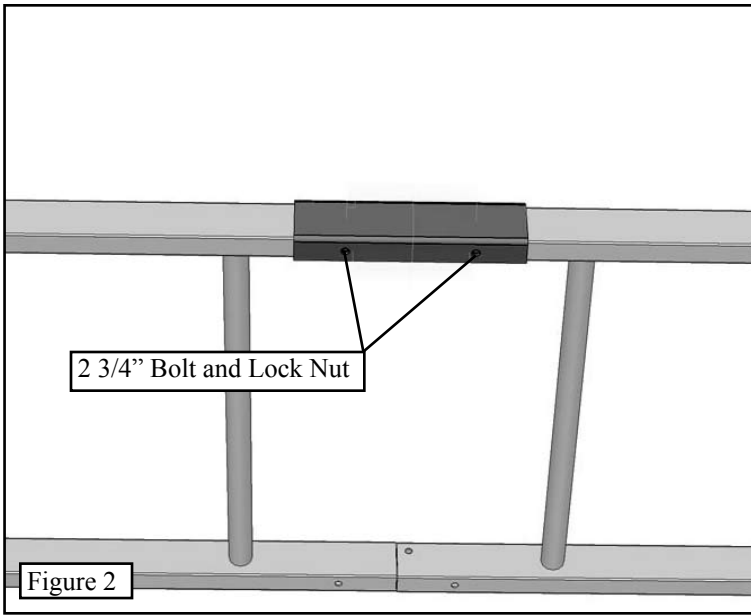
Step 4. Attach one of the support tubes to the platform as shown in **Figure 6**. The bar will bolt to the **outside** of the platform bracket. Use one 1 1/2" bolt and lock nut - hand tighten it. Run the support tube to the lower bracket on the top column assembly as shown in **Figure 7**. The bar will bolt to the **inside** of this bracket. Use one 1 1/2" bolt and lock nut - wrench tighten. Go back and wrench tighten the bolt at the platform bracket. Repeat for other platform to top column support tube.

Step 5. Attach one of the support tubes to the last remaining bracket on the top column assembly as shown in **Figure 8**. The bar will bolt to the **inside** of the bracket. Use one 1 1/2" bolt and lock nut - hand tighten it. Run the support tube to the bracket on the arm rest bar as shown in **Figure 9**. The bar will bolt to the **inside** of this bracket. Use one 1 1/2" bolt - wrench tighten. Go back and wrench tighten the bolt at the platform bracket. Repeat for other platform and support tube.

Part 3. Attaching the Platform Assembly to the Ladder Column Assembly.

Attach the platform / top column assembly to the three ladder columns you bolted together earlier as shown in **Figure 10**. Use one coupler plate per side and use the remaining 2 3/4" bolts and lock nuts. Repeat for both sides.





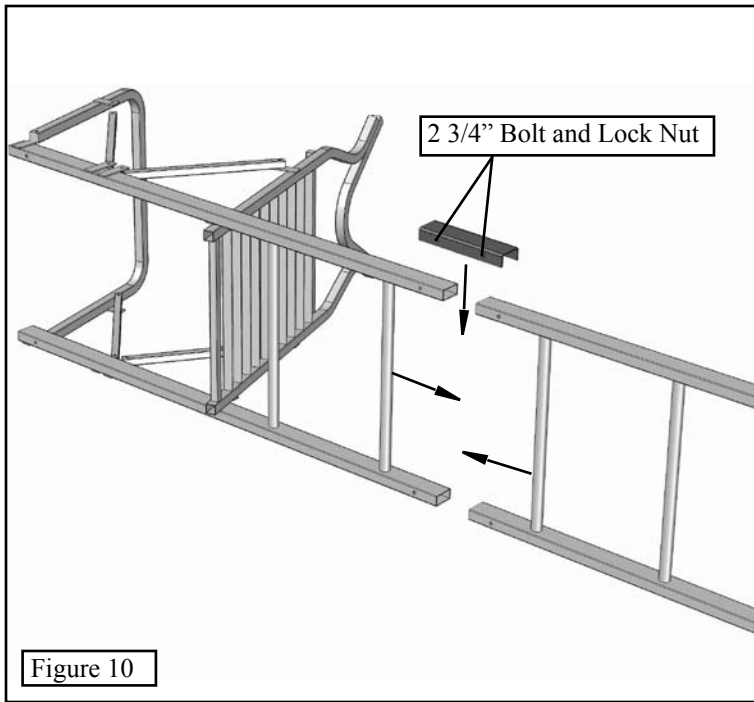


Figure 10

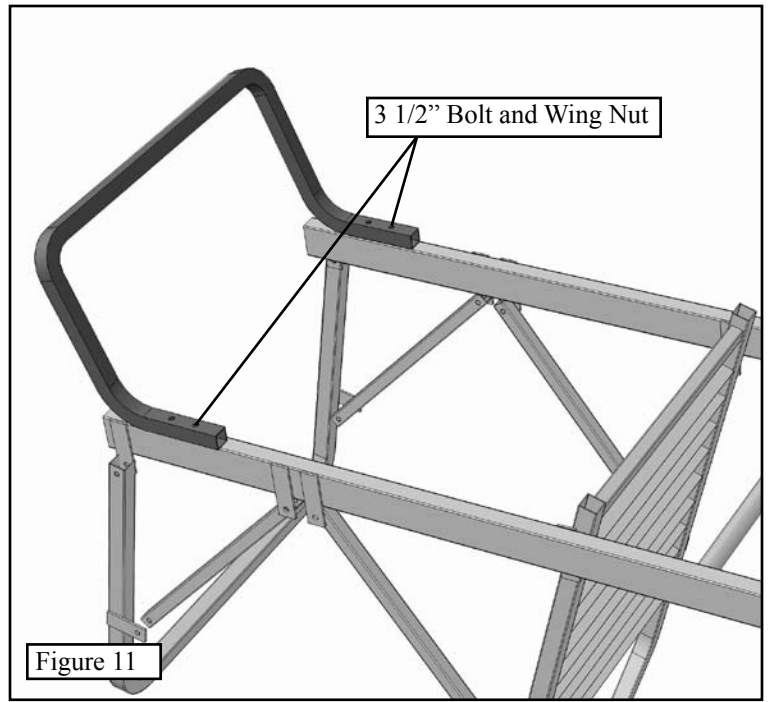


Figure 11

Part 4. Attaching the Gun Rest Bar and Pad.

Step 1. Attach the gun rest bar as shown in **Figure 11**. Use two 3 1/2" bolts and wing nuts to secure it. Hand tighten this connection. The bar can be positioned higher or lower depending on which set of holes in the bar you use.

Step 2. Position the gun rest bar pad as shown in **Figure 12**. Use two cable ties to secure the pad. Note the **Incorrect and Correct** way of attaching. Pull the cable ties snug and trim off the excess. Rotate the clasp to the underside of the pad.

Part 5. Attaching the Ladder Ratchet Straps.

WARNING: DO NOT WRAP THE STRAPS AROUND THE RUNGS! WRAP THEM ONLY AROUND THE LADDER COLUMNS!

Step 1. Attach the two long cross-straps around the top ladder section column just above the top rung as shown in **Figure 13**. Wrap the looped end around the column and run the free end through to create a cinch knot (See **Figure 14** and **Figure 15**). Repeat for the other side.

WARNING: DO NOT WRAP THE STRAPS AROUND THE RUNGS!

Step 2. Attach the two shorter straps with the ratchet to the bottom ladder column section. They should attach below the second to the bottom rung as shown in **Figure 16**. Wrap the end with the ratchet around the column and run it through the loop to create a cinch knot as shown in **Figure 17** and **Figure 18**.

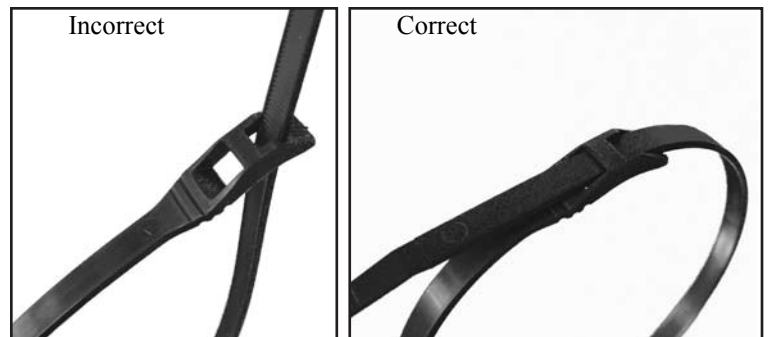


Figure 12

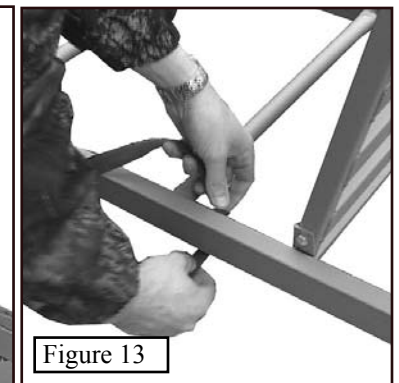


Figure 13



Figure 14

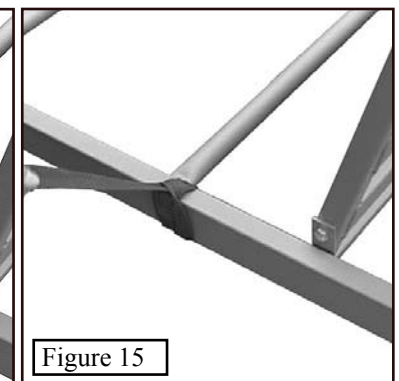


Figure 15

Section 2. Using Your Single Shot Ladder Treestand.

WARNING: IT IS REQUIRED THAT AT LEAST THREE PEOPLE INITIALLY SET UP THE LADDER STAND. ALWAYS USE TWO HELPERS!

THE LADDER MUST BE HELD IN PLACE WHILE IT IS RATCHETED TIGHT.

DO NOT USE ON TREES THAT ARE LEANING OR THAT APPEAR DEAD OR DISEASED! USE ONLY ON LEVEL GROUND!

Part 1. Setting up your Single Shot Ladder Treestand.

Step 1. Lean the platform up against the tree as shown in **Figure 19**. Be sure that the platform is level and that the back of the Seat Frame does not make contact with the tree as shown in **Figure 20**.

Step 2. While the ladder is held in place by one of your helpers, take each long strap and bring it straight back around the tree. Wrap the straps so that they make an X on the back of the tree (See **Figure 21**) - connect the left strap to the right ratchet buckle and the right strap to the left ratchet buckle. Pull the strap through the buckle as shown in **Figure 22**.

Step 3. Do not tighten until both straps are in place. Alternate between each ratchet until they are tight. Be careful not to overtighten.

Part 2. Using your stand.

Step 1. PUT ON YOUR SAFETY HARNESS if you have not already done so! See the Harness Instructions included with this treestand for directions.

Step 2. Climb up and **IMMEDIATELY** attach your safety line above your seating position. Loop the rope around the tree and connect your safety harness to the prussic hitch as shown in **Figure 23**. **Refer to the Harness Instructions for proper use of your Summit Safety Harness and Safety Rope.**

Step 3. Either have a helper hand you the seat or bring it up with a pull rope. The seat on the Single Shot ladder stand is removable. Wrap the webbing over the frame and buckle as shown in **Figure 24**. The back of the seat has a flexible snap that can be secured over the frame. This will hold the back of the seat upright. **DO NOT** reverse the seat on this Treestand.

WARNING: YOU WILL NOT be connected to a safety rope while you climb into or out of this treestand. USE EXTREME CAUTION while ascending or descending the ladder. Take your time and do not hurry! NOTE: Summit recommends the use of the SOP Climbing System Accessory with all ladder and hang-on treestands. More information on this product can be found on our website - www.summitstands.com - or by calling 256-353-0634.

Section 3. Maintenance and Care of Your Treestand.

Because of the quality construction techniques used in manufacturing, your Summit Treestand Ladder is very durable under normal hunting conditions. However, since all hunting equipment that is exposed to the elements requires some maintenance and care, the following guidelines for caring for your treestand should be used. **DO NOT** leave your treestand outdoors when it is not being used. **Any tubing that is allowed to fill with rainwater and freeze WILL rupture or burst. DO NOT use your treestand if this happens.** If your treestand is exposed to the elements, it will be necessary to cover the seat or remove it to prevent rain and moisture from saturating the material. This will extend the life of the seat material as well as make it more comfortable the next time it is used.

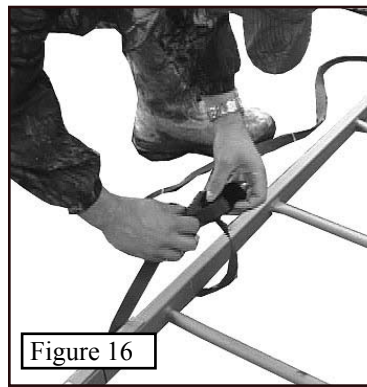


Figure 16

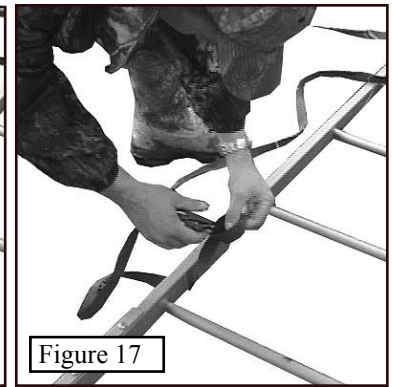


Figure 17



Figure 18



Figure 19



Figure 20

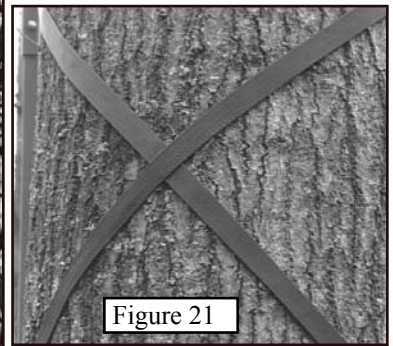


Figure 21

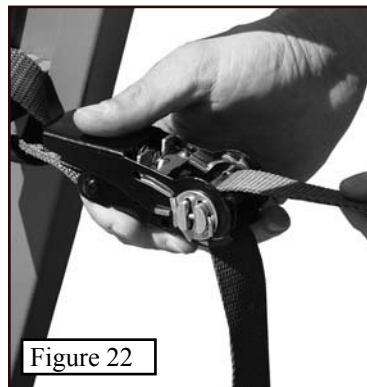


Figure 22

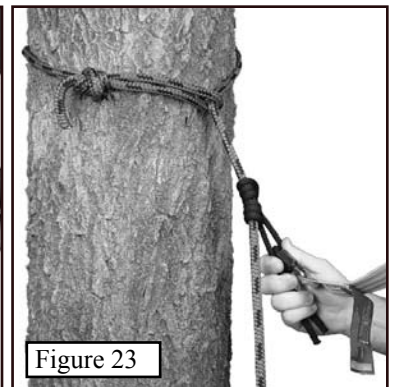


Figure 23

The powder coat finish that is applied at the factory is very durable and should need touch ups only in areas of heavy wear or accidental impact.

Should you damage any part of your Summit Treestand, contact your nearest authorized Summit dealer or the factory to obtain the proper corrective action procedure and/or replacement parts for the treestand. Unauthorized repairs, modifications, or alterations will void the warranty and could degrade the integrity of the treestand. You must perform periodic inspections of the treestand for damage. **WARNING: DO NOT** use the treestand if **ANY** obvious or suspected damage is observed.

CAUTION: Look for nicks, gouges, cuts, cracks, bends, corrosion or similar damage that can be the result of improper user or accidental damage. For instance, this could occur if someone else used the treestand without knowledge of its proper use, or if the treestand were dropped, hit by a motor vehicle or subject to corrosive conditions, etc. Summit Treestands have the highest structural integrity by design, material selection and manufacturing techniques, but as its owner, only your continued care will assure trouble free performance. When the above-mentioned guidelines are followed, your Summit Treestand will provide years of successful hunting.

Section 4. Adjustments

The seat height can be adjusted by means of the two piece buckle on each seat strap. This adjustment should be made on the ground and both sides must be adjusted equally so the seat is level side to side.

You will easily learn how to use your Summit treestand more efficiently and make it more effective for your hunting.

With proper practice you can learn to level your platform without climbing down to re-position the cable. Pulling the cable against the backside of the tree while you're supporting the platform with your legs can do this. While the cable is against the tree, position the platform level and engage the front edge against the tree. This puts a slight bend in the cable while keeping the platform level. Only minor level adjustment, however, can be made using this technique. (The DVD shows this technique).

Sometimes on a cold, dry, hard bark tree a rubbing noise can be produced at the scalloped edge that engages the tree. This comes from friction forces. It can be eliminated a couple of ways. First, simply re-positioning your platform slightly will in most cases eliminate the noise. Second, a liquid or candle/bow-string wax can be applied at the intersection of the tree and the scalloped edge to reduce the friction. Also, using a file to remove the finish and slightly upset (roughen) the smooth metal surface contact points on the scallops can eliminate the noise.

Changing your sitting position can relieve muscle stress and reduce fatigue. This will allow a longer hunt and perhaps an opportunity for a shot. Although it must be done slowly and quietly, repositioning and changing the height of your seat by raising or lowering the seat frame just a couple of inches could make a difference. This changes the hip to knee angle. Moving the seat straps, again slowly and quietly, forward or backward on their support bar will alter the sitting position also. Being comfortable will result in no movement and reduce being detected by game either from sight or from sound.

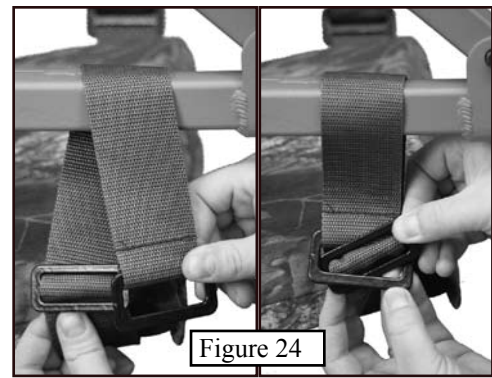


Figure 24

**Visit us on the web at
www.summitstands.com
for accessories and
upgrades!**

Harness Suspension

It is necessary and very important that someone knows your hunting location and time of return. It is also very important that you carry (on your person) emergency communication devices such as a cell phone, two-way radio, whistle, signal flare or preferably a PLD (Personal Locator Device - FCC approved July, '03). When triggered, a PLD will transmit an emergency signal to local rescue teams identifying your location via satellite GPS coordinates. Wilderness outfitters and the internet are sources for these PLD's.

Suspension trauma or blood pooling can occur when suspended motionless in a harness for periods of time. This can lead to unconsciousness. **WARNING: IF YOU HAVE TO HANG IN THE TREE BEFORE HELP ARRIVES, YOU NEED TO EXERCISE YOUR LEGS BY PUSHING OFF FROM THE TREE OR BY USING THE ENCLOSED SUSPENSION RELIEF STRAP. SEE THE TREESTAND HARNESS INSTRUCTIONS AND THE ENCLOSED INSTRUCTIONS FOR MORE INFORMATION.**

Self extraction may be necessary in the unfortunate situation that A) No one knows your location, B) Your communication efforts are exhausted, and C) You're confident that you have the strength, dexterity and ability to perform self-extraction and D) You decide this is your "absolute last resort". It is necessary to carry a device to assist with this self-extraction. Simple devices such as screw-in steps or a rope "Tree Descender" (available from Summit) will allow you to remove the weight from your harness. This may enable you to return to the treestand/ladder/climbing steps or slowly descend the tree.

Good Hunting and Hunt Safe!

**HUNT TOMORROW...
...USE YOUR SAFETY HARNESS TODAY!**
©(STLLC 2006)

Limited Warranty

(A) Warranty

Summit Treestands, LLC (Summit) warrants to the original retail purchaser that all products manufactured by it are free from defects in material and manufacture at the time of shipment for sixty (60) months from the date of purchase. Summit will repair or replace any part found defective if the unit claimed to be defective shall be returned to Summit, postage prepaid, within the warranty period.

This warranty shall not apply to any product which has been subjected to misuse; misapplication; neglect (including but not limited to improper maintenance); accident; improper installation; modification (including but not limited to use of unauthorized parts or attachments); adjustment or repair. THE FOREGOING IS IN LIEU OF ALL OTHER WARRANTIES, WHETHER EXPRESS OR IMPLIED (INCLUDING THOSE OF MERCHANTABILITY AND FITNESS OF ANY PRODUCT FOR A PARTICULAR PURPOSE), AND OF ANY OTHER OBLIGATION OF LIABILITY ON THE PART OF THE COMPANY.

(B) Limitation of Liability

It is expressly understood that Summit's liability for its products, whether due to breach of warranty, negligence, strict liability, or otherwise, is limited to the repair of the product, as stated above, and Summit will not be liable for any other injury, loss, damage, or expense, whether direct or consequential, including but not limited to loss of use, income, profit, or damage to material, arising in connection with the sale, installation, use of, inability to use, or the repair or replacement of Summit's products.

Summit reserves the right to make alterations or modifications in its products at any time, which in its opinion, may improve the performance and efficiency of the product. It shall not be obligated to make such alterations or modifications to products already in service.

Please fill out the warranty card on the back of these instructions and return to:

SUMMIT Treestands, LLC.
715 Summit Dr.
Decatur, AL 35601

You can also register your warranty card on line at:
www.summitstands.com/warranty.aspx

Summit products are manufactured under one or more of the following US patents: 4,991,690 ; 5,226,505 ; 5,413,192 ; 5,937,969 ; 5,971,104 ; 5,975,242 ; 6,182,792 ; 5,979,603 ; 6,397,973 and Des. 417,011 ; 420,147. Summit MegaSampson, Bucksteps, Seat-O-The-Pants Safety Line and Rapid Climb Stirrups are patent pending.

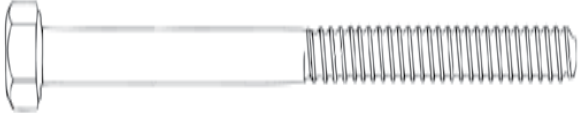




Parts List

BOX CONTENTS

PN	Description	QTY
10943	Top Column Assembly	1
10944	Bottom Column Assembly	3
10941	Platform Assembly	1
10942	Arm Rest Assembly	1
10947	Gun Rest Assembly	1
10946	Support Tube	4
10945	Coupler Plate	6
85071	Foam Seat Assembly	1
72025	Accessory Packet	1

72025 ACCESSORY PACKET CONTENTS

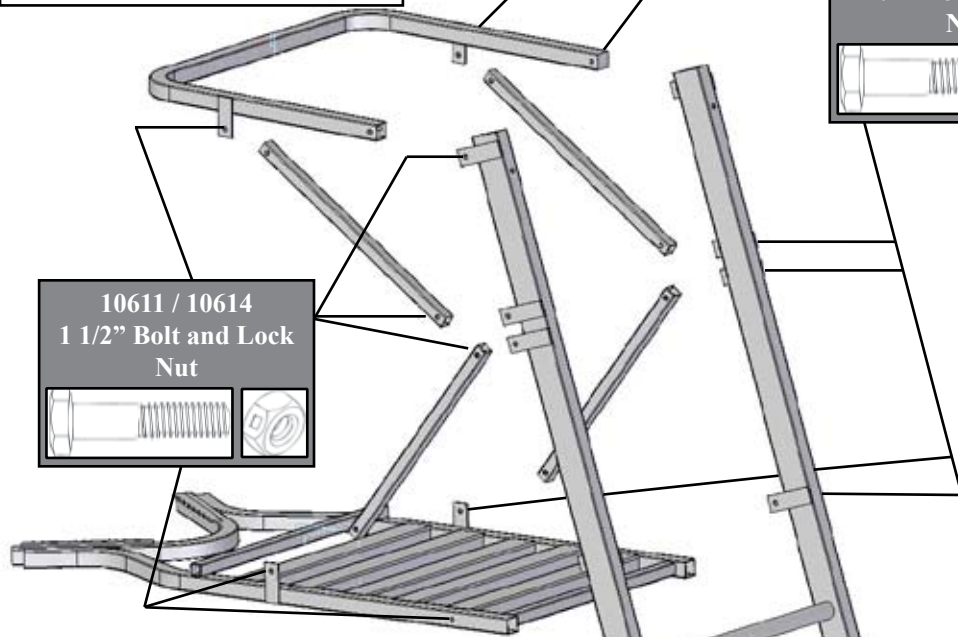
PN	Description	QTY
50534	Long ladder strap w/sewn in loop	2
50535	Ladder strap ratchet	2
83032	Summit 4 point Safety Harness	1
83023	Safety line with Prussic Hitch	1
10512	Locking clip for safety line / harness	1
10953	Suspension Relief Strap with instructions	1
71224	18" Gun Rest bar pad	1
85051	In-line Cable ties for pad	2
10886	2006 Instructional DVD	1
Written instructions for this Ladder Treestand		
Written instructions for Summit Harness		
22025	Hardware Kit Single Shot Ladder	1

22025 HARDWARE KIT SINGLE SHOT LADDER		
PN	Description	QTY
10610	2 3/4" Bolt (5/16 -18)	12
		
10611	1 1/2" Bolt (5/16 -18)	12
		
10616	3 1/2" Bolt (5/16 -18)	2
		
10617	Centerlock Nuts (5/16 -18)	24
		
10614	Wingnut (5/16 -18)	2
		



SUMMIT
EST. 1981
TREESTANDS

Seat, Gunrest and Ratchet Straps not shown.

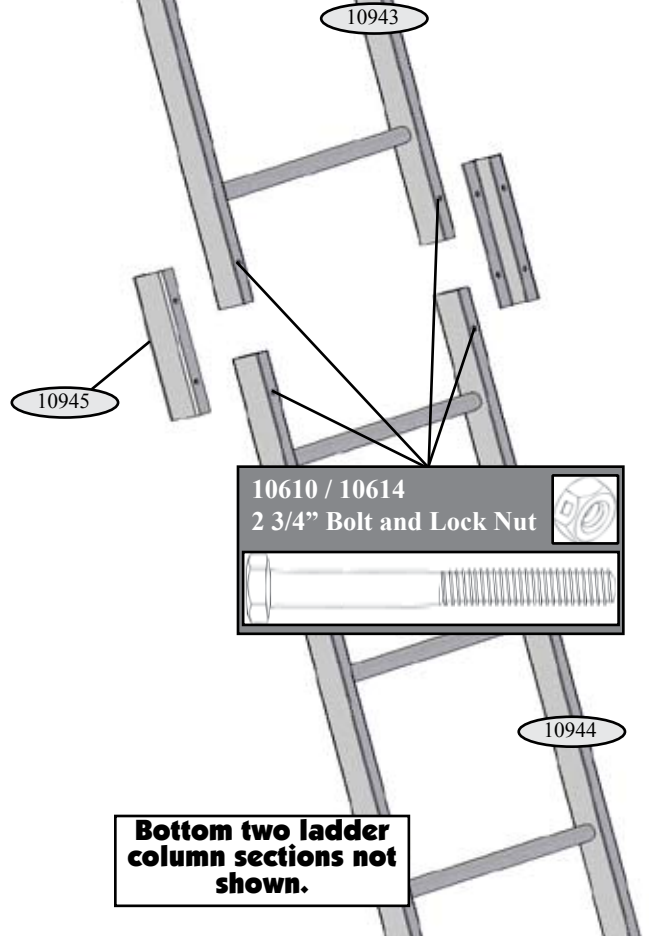


10611 / 10614
1 1/2" Bolt and Lock Nut

10611 / 10614
1 1/2" Bolt and Lock Nut



Cut Along Line



Bottom two ladder column sections not shown.

10610 / 10614
2 3/4" Bolt and Lock Nut

Cut Along Line

Warranty Card for Summit Treestand

Treestand Purchased: Summit Single Shot (PN 82025)

Owners Name: _____ Street Address: _____

City: _____ State: _____ ZIP: _____ Phone: (____) _____

Date Purchased: _____ Purchased From (Dealer Name): _____ Price \$: _____

Your heard about us through: Magazine Advertisement Video Friend Summit Catalog

Other Please Explain: _____