

X-Pod - Instruction Booklet - 2006

You **MUST** also view the enclosed DVD **BEFORE** using your new X-Pod Stand!!
Weight Limit 300 lbs. total.



READ ME FIRST!!!

Please read carefully **BEFORE** using your new X-Pod Stand.

Congratulations! You have purchased the finest commercially available pod stand on the market today. Summit Pod Stands are designed and built to provide years of trouble-free, successful hunting with a minimum of maintenance and care. It is certified to meet the requirements of the Treestand Manufacturers Association (TMA) Standards. This booklet is provided to you to outline the recommended use, care and maintenance of your Summit Pod Stand.

Warnings and Precautions

- **YOU MUST FULLY READ, UNDERSTAND AND FOLLOW THESE INSTRUCTIONS!**
- **IT IS MANDATORY THAT YOU USE THE SUPPLIED AUGERS AND RATCHET STRAPS ANYTIME YOU USE THIS POD STAND. IT IS ALSO MANDATORY THAT THE AUGERS BE DRILLED ALL THE WAY DOWN INTO THE GROUND BEFORE USE!!!**
- **DO NOT USE THIS OR ANY OTHER STAND IF YOU HAVE BEEN USING DRUGS OR ALCOHOL OR ARE PHYSICALLY IMPAIRED IN ANY WAY!**
- **FOR YOUR SAFETY, DO NOT USE ANY TREESTAND DURING STORMS, WHEN TREES ARE WET OR ICY, OR ON TREES THAT ARE LEANING OR THAT APPEAR DEAD OR DISEASED!**
- **DO NOT USE ANY POD OR TREE STAND IF YOU HAVE NOT FOLLOWED THE MANUFACTURERS CARE AND MAINTENANCE GUIDELINES!**
- **DO NOT USE ANY POD OR TREE STAND UNLESS YOU ARE IN GOOD PHYSICAL SHAPE. THE ABILITY TO DO SEVERAL PUSH-UPS, CHIN-UPS, SIT-UPS, ETC. IS REQUIRED FOR YOUR SAFETY!**
- **ALWAYS USE A HAUL LINE TO RAISE AND LOWER UNLOADED FIREARMS AND BOWS!**
- **NEVER CLIMB WITH ANYTHING IN YOUR HANDS OR ON YOUR BACK - USE A HAUL LINE!**
- **BE WELL RESTED AND NEVER GET IN A HURRY. HURRYING CAUSES ACCIDENTS!!**
- **IF YOU LOAN OR SELL THIS STAND, IT IS YOUR RESPONSIBILITY TO FURNISH THE BUYER A COPY OF THESE INSTRUCTIONS AND THE VIDEO THAT CAME WITH THE STAND. MAKE SURE THEY WATCH THE VIDEO AND READ / UNDERSTAND THE INSTRUCTIONS!**
- **FAILURE TO FOLLOW THESE INSTRUCTIONS MAY CAUSE SERIOUS INJURY OR DEATH!!**

Warning

Before each use of your Summit X-POD, ALWAYS inspect the stand for any structural damage, cracks, cable wear or abrasion that may have occurred in transporting your stand. DO NOT USE IF ANY DAMAGE IS FOUND! DO NOT leave your stand outdoors when it is not being used. Any tubing that is allowed to fill with rainwater and freeze WILL rupture or burst. DO NOT use your Stand if this happens.

Section 1. Assembling Your X-Pod Stand.

Please refer to the last two pages in this instruction booklet for parts lists and exploded view drawings. Please contact us at www.summit-stands.com or 256-353-0634 to obtain any missing parts.

Part 1. Support Assembly.

Step 1. Position the Bottom Support Assembly and the Top Support Assembly as shown in **Figure 1**. **NOTE:** the correct orientation and rung location.

Step 2. Line up the holes and lay one coupler plate across the joint. Bolt together using two 2 3/4" long bolts and lock nuts (See **Figure 2**).

Step 3. Repeat for other side.

Part 2. Arm Rest Assembly.

Step 1. Orient the Arm Rest and the Top Support Assembly as shown in **Figure 3**. Note that the bent back rest faces away from the Arm Rest Bar.

Step 2. Line up the holes and bolt together using two 1 1/2" bolts with lock nuts.

Step 3. Position the two Support Tubes as shown in **Figure 4**.

Step 4. Attach the Support Tubes to the remaining Arm Rest bracket using two 1 1/2" bolts with lock nuts. Run the tubes to the pre-punched hole in the Top Support Assembly. Secure at the platform with two 1 3/4" bolts and lock nuts as shown in **Figure 5**.

Part 3. Platform Assembly.

Step 1. Position the platform and the two flat metal Support Bars as shown in **Figure 6**.

Step 2. Secure the Support Bars to the platform using two 1 1/2" bolts and lock nuts. Run the bolts from the outside in so that the head of the bolt is on the outside.

Step 3. Orient the Platform Assembly and the Support / Arm Rest Assembly as shown in **Figure 7**.

Step 4. Attach the Platform Support bars to the pre-punched holes in the Support Tubes (**Figure 8**). Use two 1 1/2" bolts with lock nuts. Run the bolts from the inside out to put the bolt on the outside of the stand.

Step 5. Attach the Platform to the welded tabs on the Top Support. Use two 1 1/2" bolts with lock nuts as shown in **Figure 8**.

Part 4. Step Assembly.

Step 1. Position the Top Step Assembly and the Bottom Step Assembly as shown in **Figure 9**.

Step 2. Lay one coupler plate across the joint and bolt together using two 2 3/4" bolts with lock nuts.

Step 3. Repeat for other side.

Step 4. Position the Step Assembly as shown in **Figure 10**.

Step 5. Slide the Step Assembly into the U-Bracket on the Support Assembly. Secure with two 1 3/4" bolts with lock nuts.

Part 5. Attaching the Support Brace.

Step 1. The Support Brace connects the two sections together whenever it is standing. The brace runs from the 4th step from the bottom on the Step Assembly to the 2nd rung from the bottom on the Support Assembly as shown in **Figure 11**. This step is easier if it is done with the stand laying down.

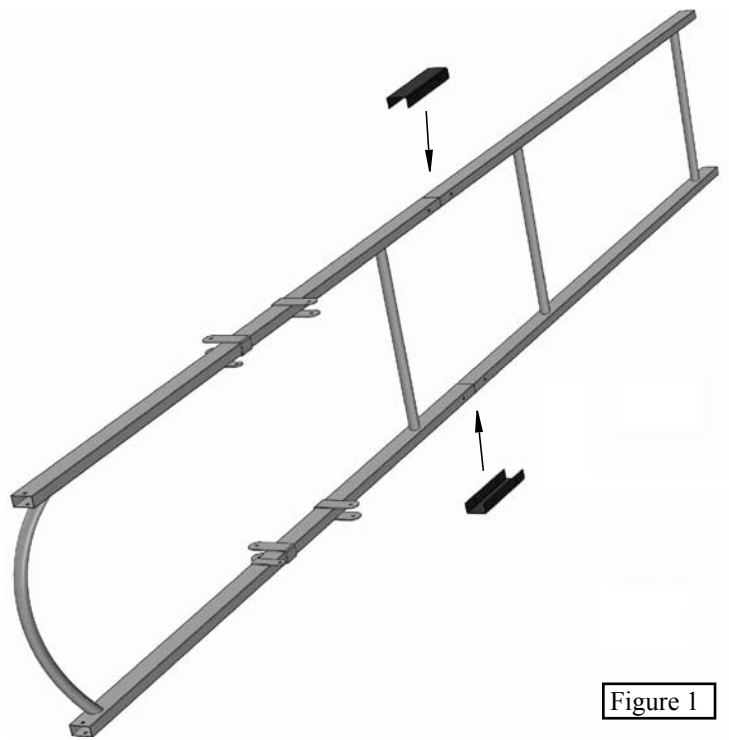


Figure 1

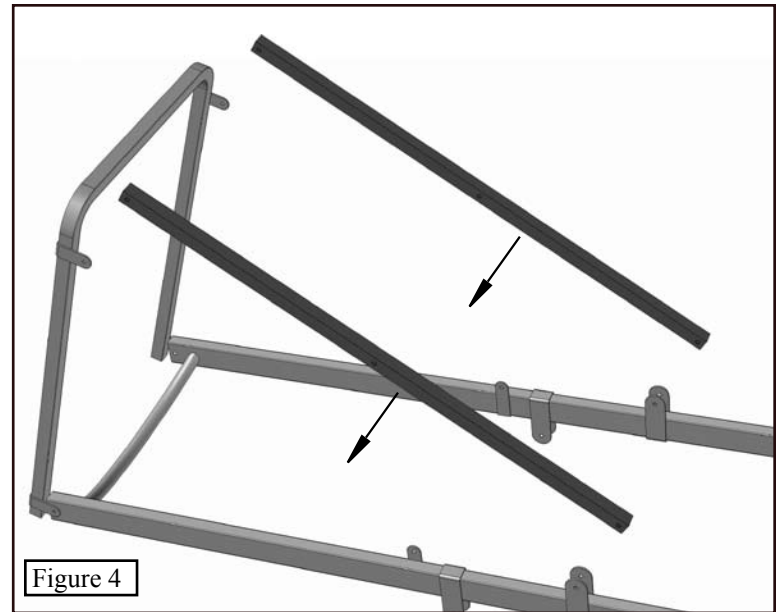


Figure 4

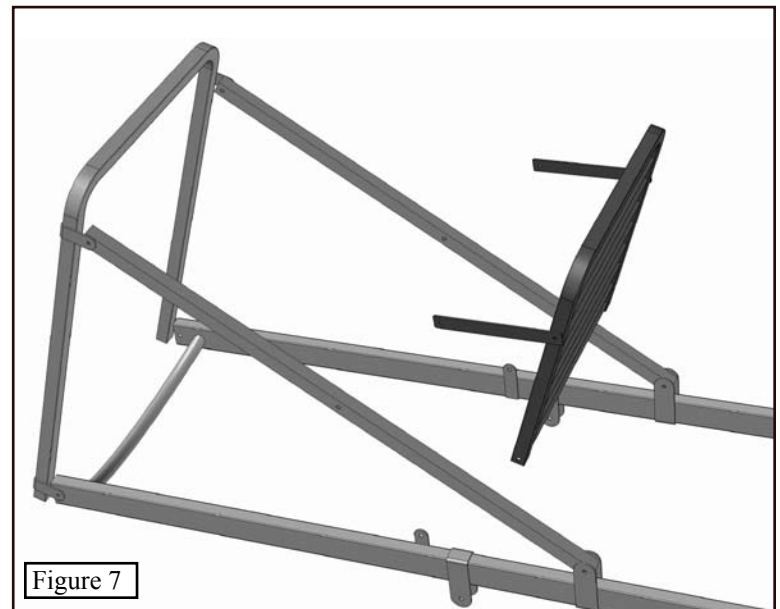


Figure 7

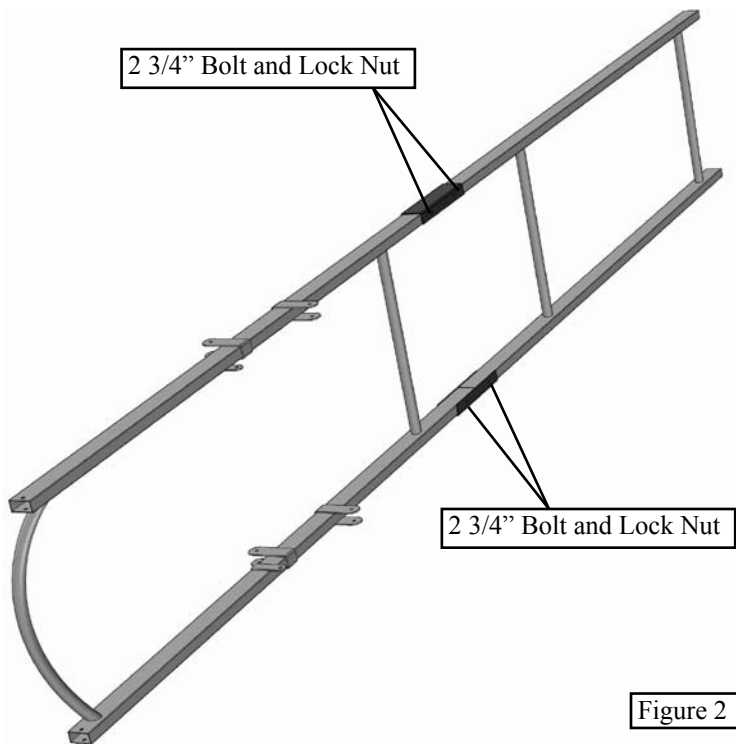


Figure 2

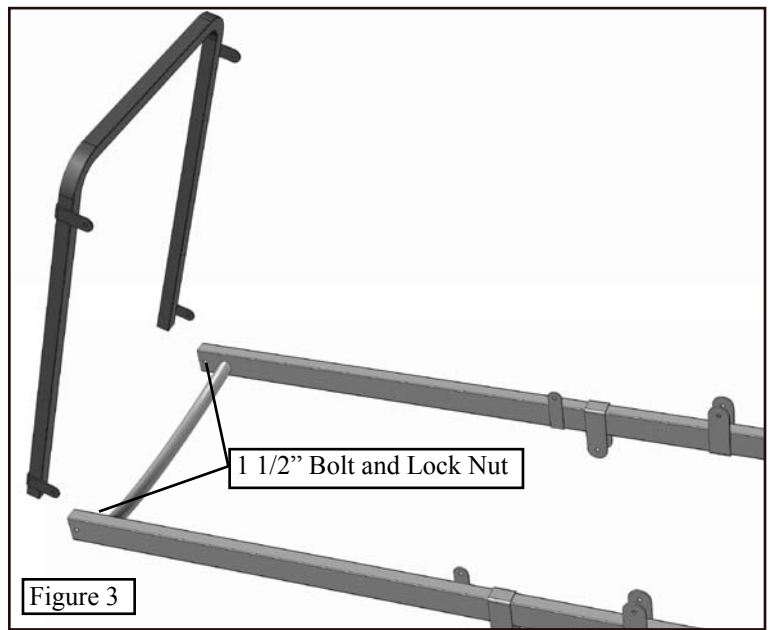


Figure 3

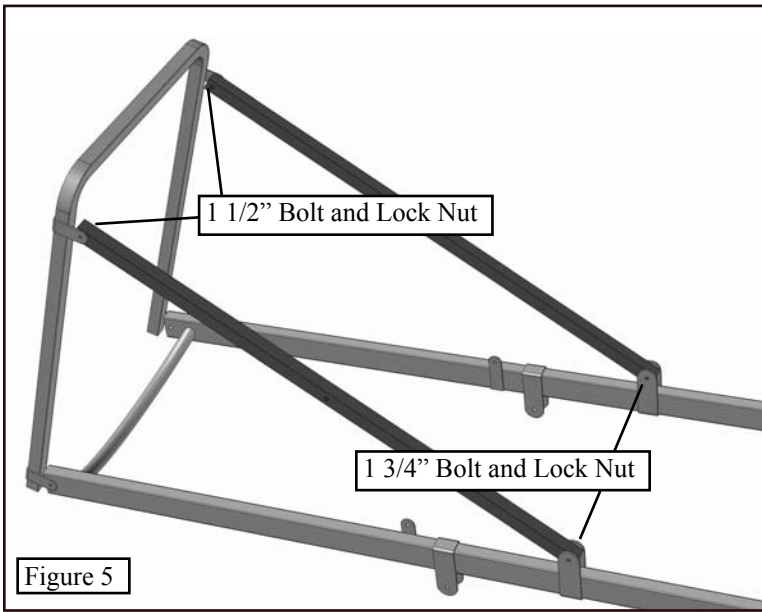


Figure 5

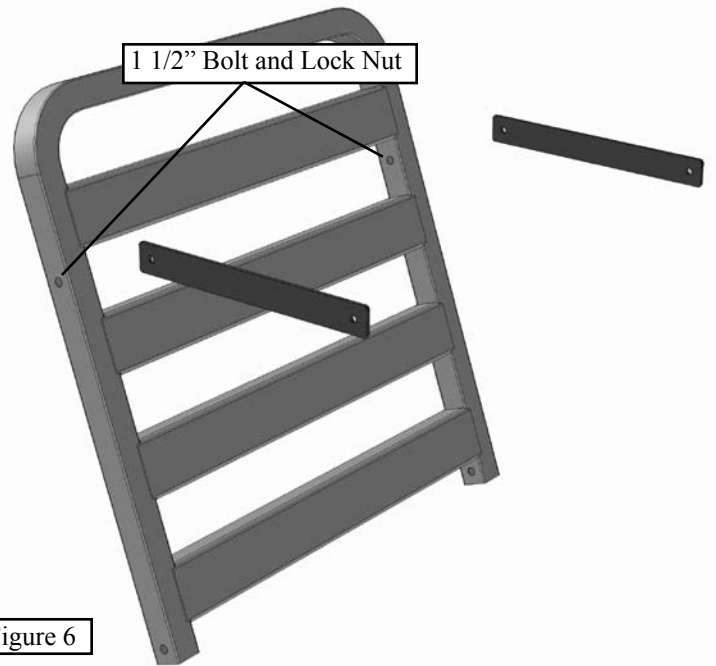


Figure 6

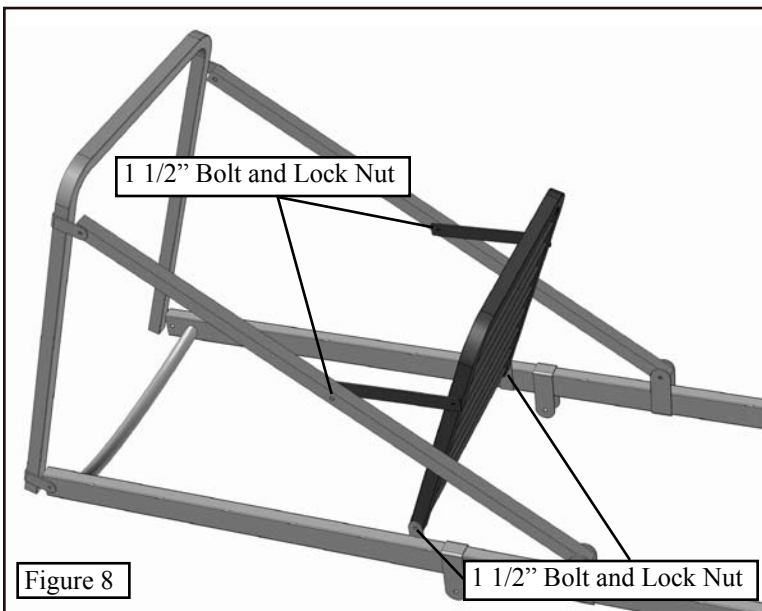


Figure 8

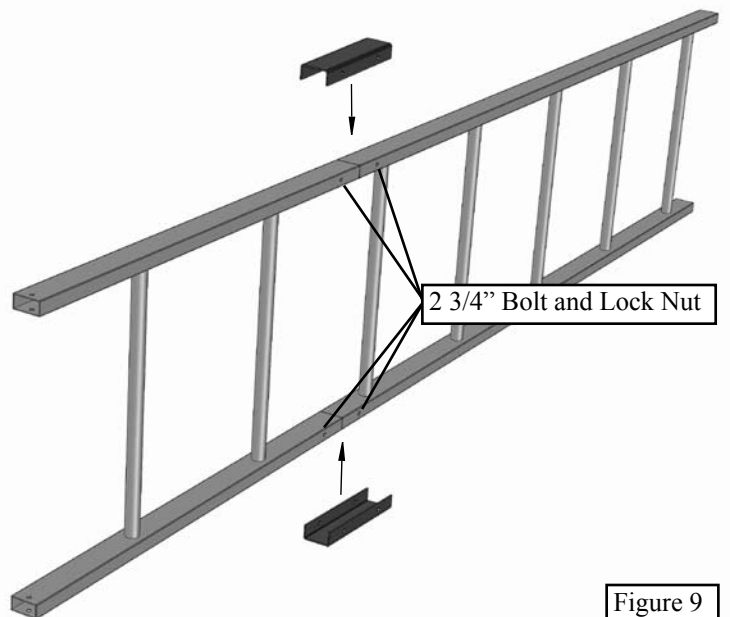


Figure 9

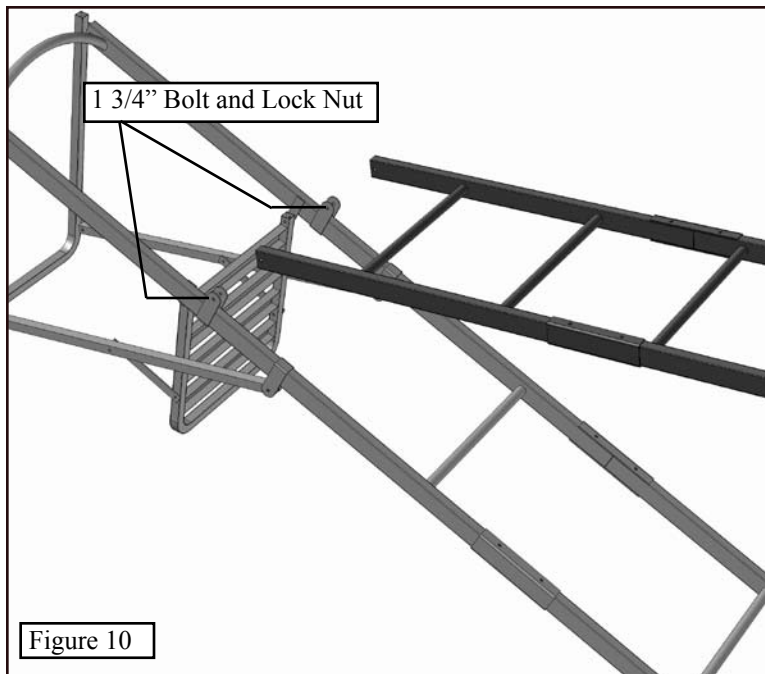


Figure 10

Step 2. Center the Support Brace on the rungs and attach with two 1.5" bolts (1/4" thread) and wing nuts. Tighten enough so the Support Brace does not slide on the rungs.

Part 6. Attaching the Gun Rest Bar Pad.

Step 1. Position the gun rest bar pad as shown in **Figure 12**. Use two cable ties to secure the pad. Note the **Incorrect and Correct** way of attaching. Pull the cable ties snug and trim off the excess. Rotate the clasp to the underside of the pad.

Part 7. Attaching the Ladder Ratchet Straps.

WARNING: DO NOT WRAP THE STRAPS AROUND THE RUNGS! WRAP THEM ONLY AROUND THE LADDER COLUMNS!

Step 1. Attach the two long cross-straps around the Top Support Assembly as shown in **Figure 13**. This strap should attach ABOVE the U-Bracket where the Step Assembly is bolted and BELOW the Platform bolt. Wrap the looped end around the column and run the free end through to create a cinch knot (See **Figure 14 and Figure 15**). Repeat for the other side. **WARNING: DO NOT WRAP THE STRAPS AROUND THE RUNGS!**

Refer to **Section 2. Using your X-Pod Stand for Ratchet to Auger strap connection.**

Section 2. Using Your X-Pod Stand.

Part 1. Transporting and Storing your X-Pod Stand.

The Step Section on the X-Pod is designed to fold flat against the Support Section for storage and transportation. One end of the Support Brace should stay connected to the rung all the time. The other end is removable via the Wing Nut. Remove the nut, fold the Brace down and fold the Step Section flat to store.

Part 2. Using your X-Pod Stand.

Step 1. If you have transported the X-Pod with the support brace attached to one side, you **MUST** attach it to the other side before using it. Reconnect the brace as shown in **Figure 11**.

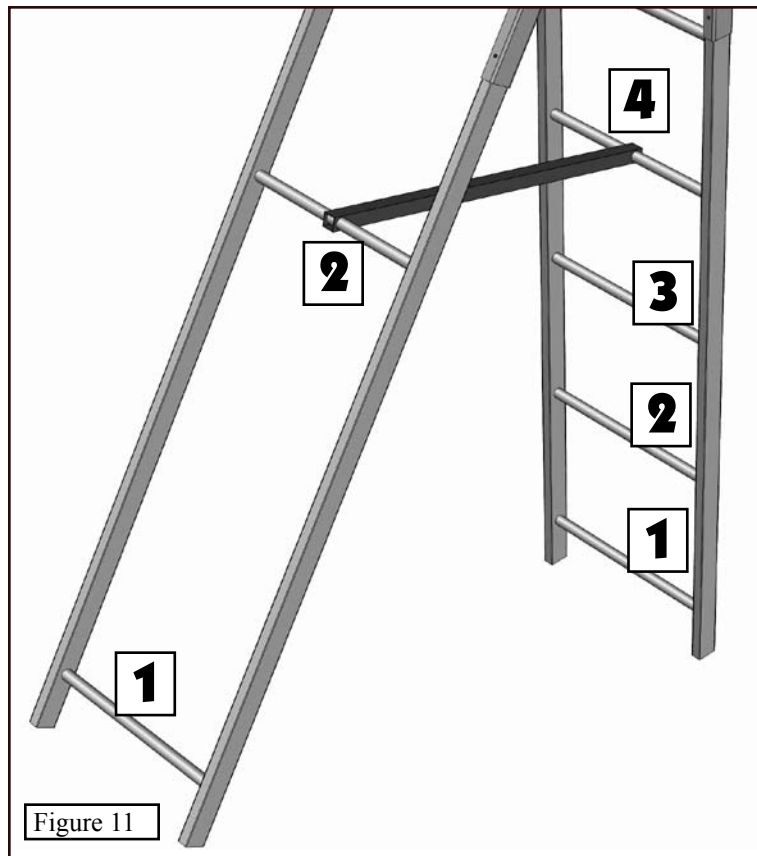


Figure 11

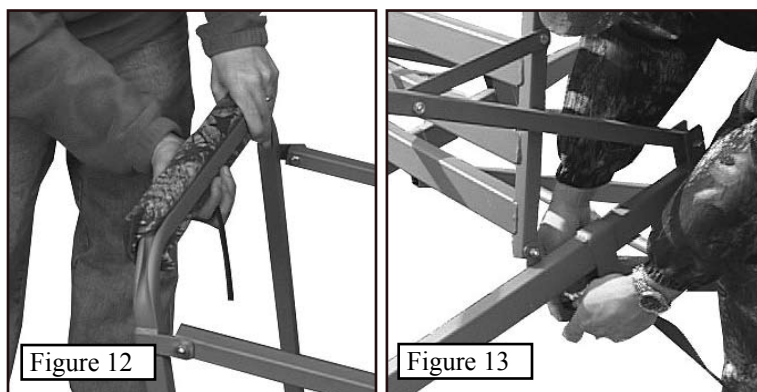
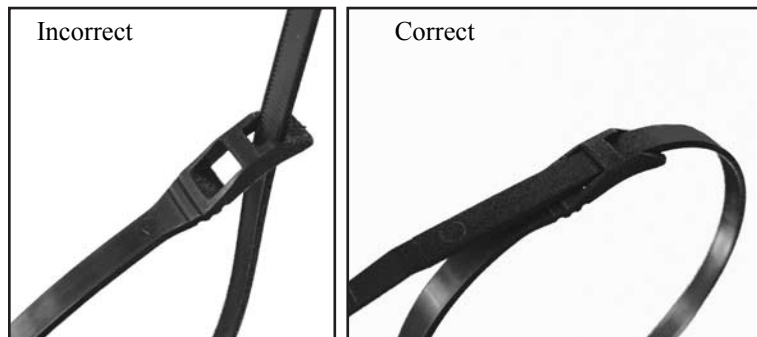


Figure 12

Figure 13

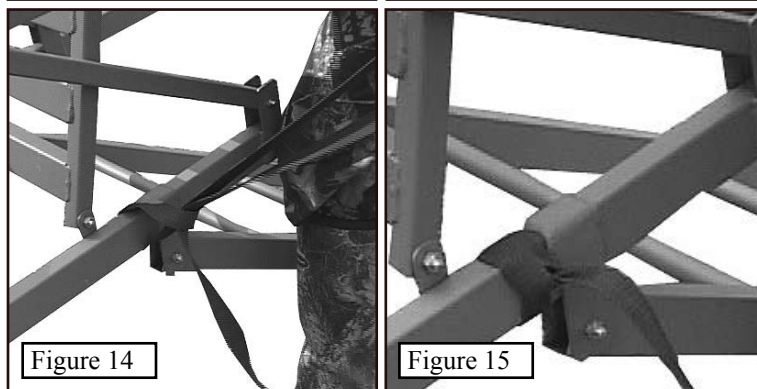


Figure 14

Figure 15

WARNING! DO NOT USE YOUR X-POD IF THESE INSTRUCTIONS ARE NOT CLEAR!!

Step 2. Find a suitable location for the stand. The ground **MUST BE** level and free of rocks that would prevent the augers from digging deep.

Step 3. Drill the supplied augers into the soil. The augers should angle slightly away from the ladder. The distance from the augers to the stand will vary but it should be **AT LEAST 15 FEET** to the side - greater if possible.

WARNING: IT IS MANDATORY THAT BOTH AUGERS BE USED WITH THIS STAND! SEE FIGURE 16 FOR PROPER PLACEMENT OF THE AUGERS AND THE STAND! IT IS MANDATORY THAT THE AUGERS BE DRILLED DOWN COMPLETELY INTO THE SOIL AS SHOWN IN FIGURE 17!

The augers will be easier to screw into the ground if you have access to a screw driver, crowbar or other non-flexing "cheater bar". **MAKE SURE YOU CANNOT MOVE THE AUGER ONCE IT IS IN THE GROUND!**

Step 4. Thread the ratchet strap sewn loop through the eye of the auger as shown in **Figure 18**. Thread the ratchet back through the sewn loop and pull tight as shown in **Figure 19**. Repeat for other side.

Step 5. Thread the long strap through the ratchet as shown in **Figure 20**. **DO NOT** ratchet tight. Thread the long strap on the other side as shown in **Figure 20**.

Step 6. Alternate ratcheting from one side to the other until the straps are tight and the X-Pod is secure.

Step 7. Climb slowly at first, checking the stability as you go.

MAKE SURE the straps stay taught as you climb. If they loosen as you climb it might be a sign that the augers have shifted. **THE RATCHET STRAP MUST BE TAUGHT BEFORE YOU HUNT FROM THIS STAND.**

Part 3. Attaching the Seat.

Step 1. Pull the seat up using a pull up rope.

Step 2. Loop the webbing over the frame from the inside out. Secure the seat buckles as shown in **Figure 21**.

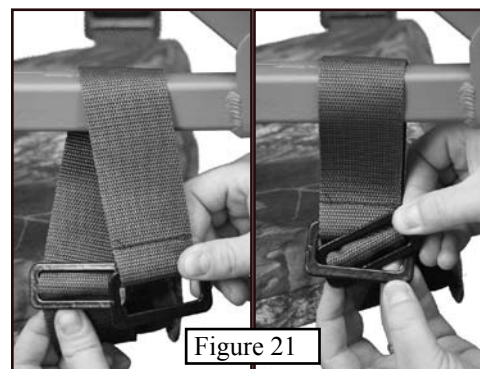
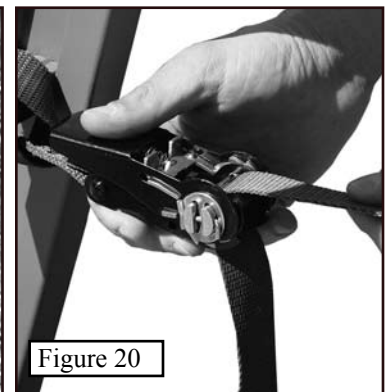
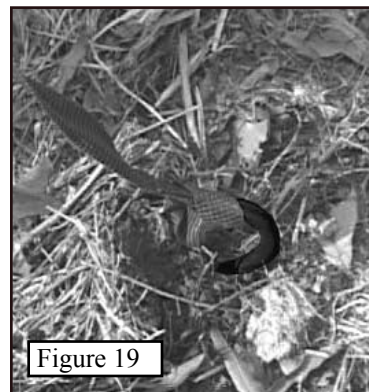
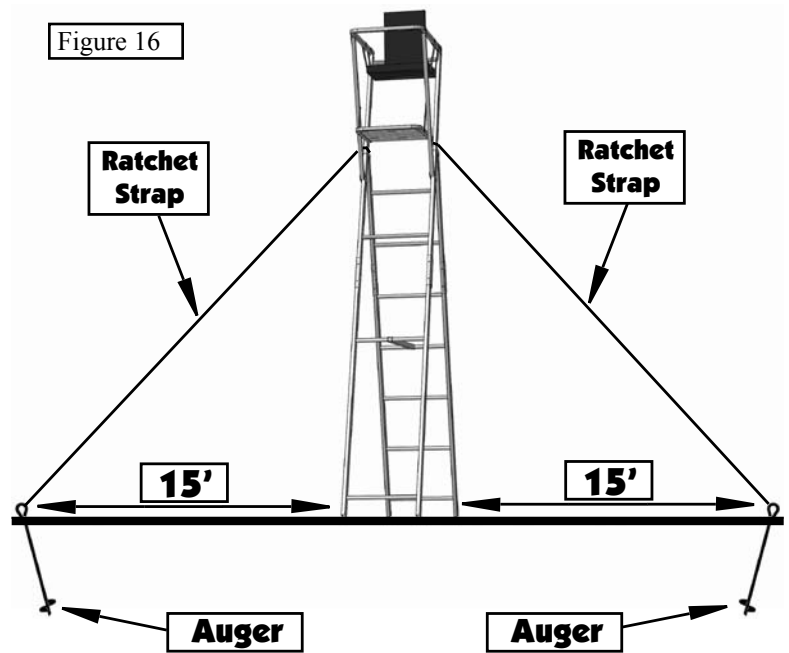
Step 3. The seat back has a sewn in strap that attaches around the back rest bar. Snap the strap in place.

When climbing into and out of the X-Pod Stand, push the seat up and back over the back rest bar. This should provide you with enough room to enter and exit the stand.

Tips

You will easily learn how to use your Summit X-Pod more efficiently and make it more effective for your hunting.

Changing your sitting position can relieve muscle stress and reduce fatigue. This will allow a longer hunt and perhaps an opportunity for a shot. Although it must be done slowly and quietly, repositioning and changing the height of your seat by raising or lowering the seat frame just a couple of inches could make a difference. This changes the hip to knee angle. Moving the seat straps, again slowly and quietly, forward or backward on their support bar will alter the sitting position also. Being comfortable will result in no movement and reduce being detected by game either from sight or from sound.



Section 3. Maintenance and Care of Your Treestand.

Because of the quality construction techniques used in manufacturing, your Summit X-Pod is very durable under normal hunting conditions. However, since all hunting equipment that is exposed to the elements requires some maintenance and care, the following guidelines for caring for your treestand should be used. **DO NOT** leave your treestand outdoors when it is not being used. **Any tubing that is allowed to fill with rainwater and freeze WILL rupture or burst. DO NOT use your treestand if this happens.** If your stand is exposed to the elements, it will be necessary to cover the seat or remove it to prevent rain and moisture from saturating the material. This will extend the life of the seat material as well as make it more comfortable the next time it is used.

The powder coat finish that is applied at the factory is very durable and should need touch ups only in areas of heavy wear or accidental impact.

Should you damage any part of your Summit X-Pod, contact your nearest authorized Summit dealer or the factory to obtain the proper corrective action procedure and/or replacement parts for the stand. Unauthorized repairs, modifications, or alterations will void the warranty and could degrade the integrity of the stand. You must perform periodic inspections of the treestand for damage. **WARNING: DO NOT use the stand if ANY obvious or suspected damage is observed.**

CAUTION: Look for nicks, gouges, cuts, cracks, bends, corrosion or similar damage that can be the result of improper user or accidental damage. For instance, this could occur if someone else used the treestand without knowledge of its proper use, or if the stand were dropped, hit by a motor vehicle or subject to corrosive conditions, etc. Summit Pod Stands have the highest structural integrity by design, material selection and manufacturing techniques, but as its owner, only your continued care will assure trouble free performance. When the above-mentioned guidelines are followed, your Summit X-Pod will provide years of successful hunting.

Section 4. Adjustments

The seat height can be adjusted by means of the two piece buckle on each seat strap. This adjustment should be made on the ground and both sides must be adjusted equally so the seat is level side to side.

Good Hunting and Hunt Safe!

HUNT TOMORROW...

...USE YOUR SAFETY HARNESS TODAY!

©(STLLC 2006)

Limited Warranty

(A) Warranty

Summit Treestands, LLC (Summit) warrants to the original retail purchaser that all products manufactured by it are free from defects in material and manufacture at the time of shipment for sixty (60) months from the date of purchase. Summit will repair or replace any part found defective if the unit claimed to be defective shall be returned to Summit, postage prepaid, within the warranty period.

This warranty shall not apply to any product which has been subjected to misuse; misapplication; neglect (including but not limited to improper maintenance); accident; improper installation; modification (including but not limited to use of unauthorized parts or attachments); adjustment or repair. THE FOREGOING IS IN LIEU OF ALL OTHER WARRANTIES, WHETHER EXPRESS OR IMPLIED (INCLUDING THOSE OF MERCHANTABILITY AND FITNESS OF ANY PRODUCT FOR A PARTICULAR PURPOSE), AND OF ANY OTHER OBLIGATION OF LIABILITY ON THE PART OF THE COMPANY.

(B) Limitation of Liability

It is expressly understood that Summit's liability for its products, whether due to breach of warranty, negligence, strict liability, or otherwise, is limited to the repair of the product, as stated above, and Summit will not be liable for any other injury, loss, damage, or expense, whether direct or consequential, including but not limited to loss of use, income, profit, or damage to material, arising in connection with the sale, installation, use of, inability to use, or the repair or replacement of Summit's products.

Summit reserves the right to make alterations or modifications in its products at any time, which in its opinion, may improve the performance and efficiency of the product. It shall not be obligated to make such alterations or modifications to products already in service.

Please fill out the warranty card on the back of these instructions and return to:

**SUMMIT Treestands, LLC.
715 Summit Dr.
Decatur, AL 35601**

You can also register your warranty card on line at:

www.summitstands.com/warranty.aspx

Summit products are manufactured under one or more of the following US patents: 4,991,690 ; 5,226,505 ; 5,413,192 ; 5,937,969 ; 5,971,104 ; 5,975,242 ; 6,182,792 ; 5,979,603 ; 6,397,973 and Des. 417,011 ; 420,147. Summit MegaSampson, Bucksteps, Seat-O-The-Pants Safety Line and Rapid Climb Stirrups are patent pending.

Parts List
BOX CONTENTS

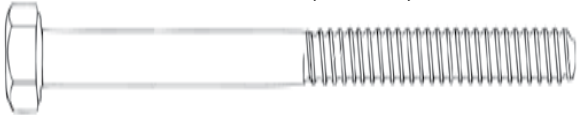





PN	Description	QTY
10974	Auger	2
10975	Arm Rest Assembly	1
10976	Platform Assembly	1
10977	Top Step Assembly	1
10978	Bottom Step Assembly	1
10979	Top Support Assembly	1
10980	Bottom Support Assembly	1
10981	Support Brace	1
10945	Coupler Plates	4
10995	Support Tubes	2
10996	Platform Support Bars	2
85071	Foam Seat	1
72027	Accessory Packet	1

72027 ACCESSORY PACKET CONTENTS

PN	Description	QTY
50534	Long ladder strap w/sewn in loop	2
50535	Ladder strap ratchet	2
71224	18" Gun Rest Pad	1
85051	In-Line Cable Ties	1
Written instructions for this Stand		
22027	Hardware Kit	1



22027 HARDWARE KIT X-POD

PN	Description	QTY
10610	2 3/4" Bolt (5/16 -18)	8
		
10611	1 1/2" Bolt (5/16 -18)	10
		
10615	1 3/4" Bolt (5/16 -18)	4
		
10617	Centerlock Nuts (5/16 -18)	22
		
10618	Wing Nut (1/4 -20) (Support Brace ONLY)	2
		
10600	1 1/2" Bolt (1/4 -20) (Support Brace ONLY)	2
		

Visit us on the web at
www.summitstands.com
 for accessories and
 upgrades!

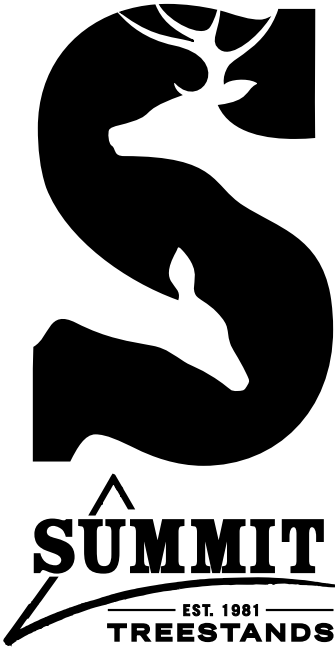
10611 / 10614
 1 1/2" Bolt and Lock
 Nut

10611 / 10614
 1 1/2" Bolt and Lock
 Nut

10615 / 10614
 1 3/4" Bolt and Lock
 Nut

10615 / 10614
 1 3/4" Bolt and Lock
 Nut

10610 / 10614
 2 3/4" Bolt and Lock Nut



Cut Along Line

Cut Along Line

Warranty Card for Summit X-Pod

Stand Purchased: X-Pod (PN 82027)

Owners Name: _____ Street Address: _____

City: _____ State: _____ ZIP: _____ Phone: (____) _____

Date Purchased: _____ Purchased From (Dealer Name): _____ Price \$: _____

Your heard about us through: Magazine Advertisement Video Friend Summit Catalog

Other Please Explain: _____