

Product Code

Style Case *H. Max Vinyl Bind*

Sheet Size *11 X 9* Cap. *3*

Die No. *4374*

Order No. *964736*

Plate

Customer

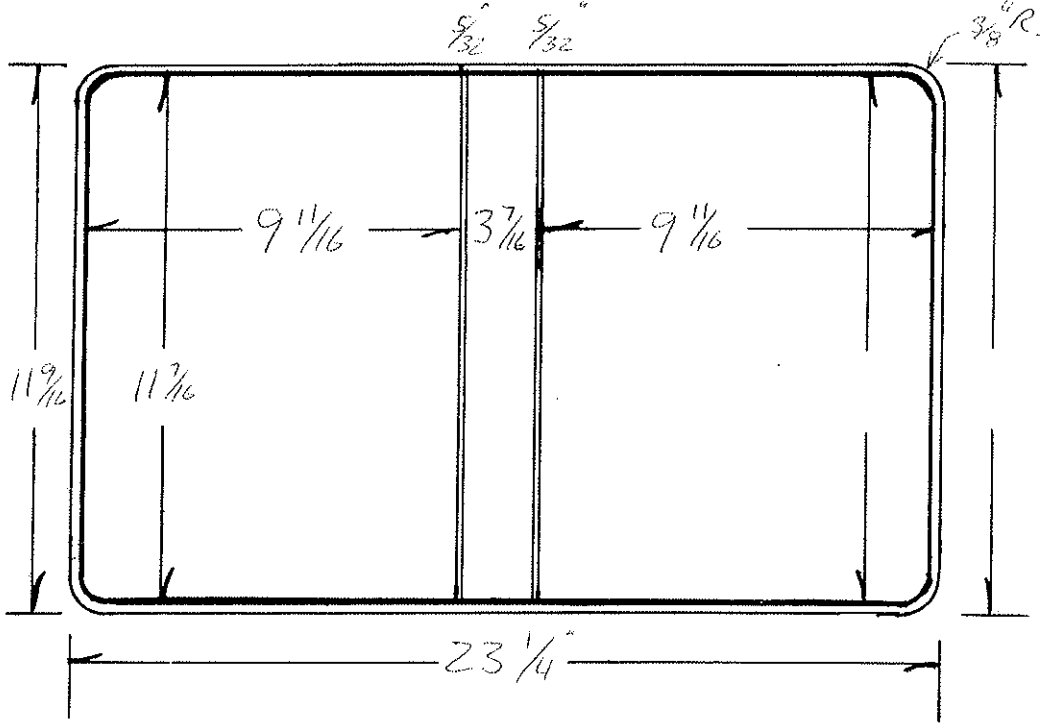
FLUOR DANIEL

Metal
Total Vinyl
Quantity <i>500</i>
Date <i>2-5-90</i>
Type Corners
Radius <i>3/8</i>
Completed

	Gauge	Thick
Tear Seal	<i>.019</i>	<i>1/16"</i>
Bar Seal		
Bar Seal		

	No. of Feet
Tear Seal	
Bar Seal	
Bar Seal	

Size B. Max
Check
[Signature]



		Cutting Specs						Cutting Specs			
Code		Ga.	# PCS	Size	Out	Code		Ga.	# Pcs.	Size	Out
Cover Mat.	<i>12 1/4 X 24</i>	<i>15</i>	<i>1</i>			Lining Mat.	<i>12 1/4 X 24</i>	<i>15</i>	<i>1</i>		
Cover Mat	X					Lining Mat.	X				
Vert. Pckt.	X					Horz. Pckt.	<i>5 3/8 X 10 1/4</i>				
Vert. Pckt.	X					Horz. Pckt.	<i>5 3/8 X 24</i>				
Pocket	<i>EX COM 11 11/16 X 14 5/8</i>					Pocket	X				
Label Holder	X					Card Hlder	X				
Material	X					Material	<i>COM 11 1/16 X 24</i>	<i>8</i>	<i>1</i>		
Material	X					Material	X				
Material	X					Material	X				
F.C. Board	<i>11 1/32 X 9 19/32</i>	<i>120</i>	<i>1</i>			B.C. Board	X				
B.C. Board	<i>11 1/32 X 9 19/32</i>	<i>120</i>	<i>1</i>			B.B. Board	<i>11 1/32 X 3 1/32</i>	<i>120</i>	<i>1</i>		
Center Board	X					Board	X				
Board	X					Strip	X				
Cover Pad	X					Strip	X				
						B.B. Pad	X				

Product Code

Style Case 4 A JAX VINYL BINDER

Sheet Size 11 X 9

Cap. 4" A JAX Die No. 4772

Order No. 968891

Plate C-15

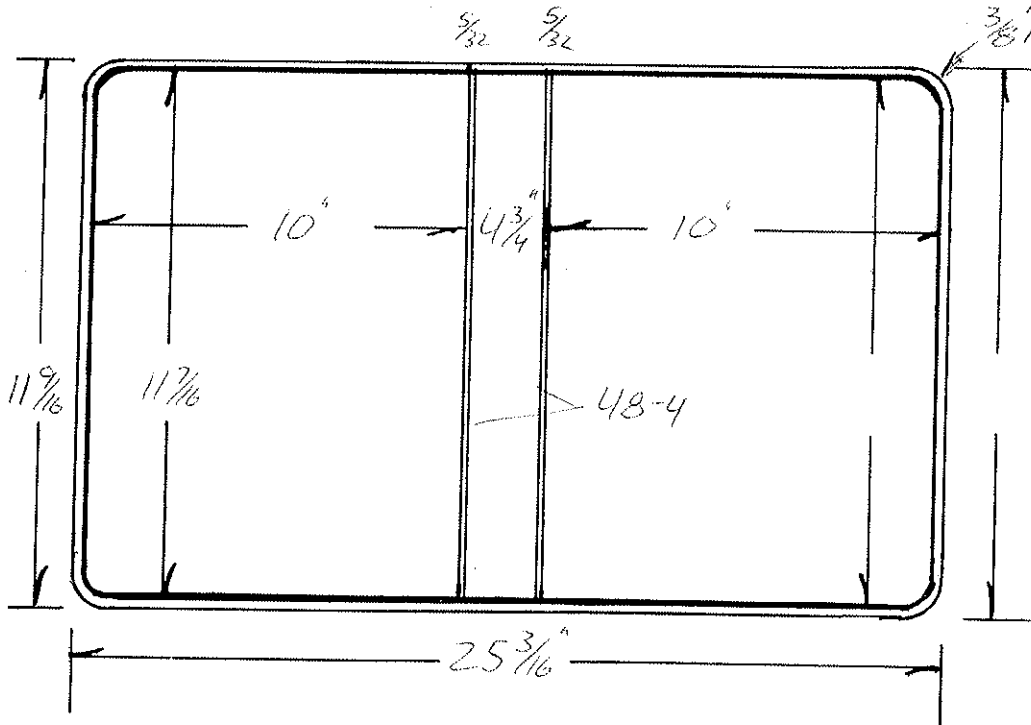
Customer

FLUOR DANIEL

Metal
Total Vinyl
Quantity 500
Date 5-22-91
Type Corners
Radius 3/16
Completed

	Gauge	Thick
Tear Seal	.012	1/16
Bar Seal	#218-4	5/16
Bar Seal		

	No. of Feet
Tear Seal	
Bar Seal	
Bar Seal	



OWG - B Place
 CHECK
 (Signature)

Code		Code	Code	Cutting Specs		Code		Cutting Specs			
				Ga.	# PCS	Size	Out	Ga.	# Pcs.	Size	Out
Cover Mat.	12 1/4 X 26"				1			Lining Mat.	12 1/4 X 26"		1
Cover Mat.	X							Lining Mat.	X		
Vert. Pckt.	X							Horz. Pcktt.	5 3/8 X 10 1/2		
Vert. Pckt.	X							Horz. Pcktt.	5 3/8 X 26		
Pocket	X							Pocket	X		
Label Holder	EX COL 11 11/16 X 16	8	1					Card Hlder	X		
Material	COL 11 11/16 X 26	8	1					Material	X		
Material	X							Material	X		
Material	X							Material	X		
F.C. Board	11 1/32 X 9 29/32	120	1					B.C. Board	X		
B.C. Board	11 1/32 X 9 29/32	120	1					B.B. Board	11 1/32 X 4 2 1/2	100	1
Center Board	X							Board	BACH 11 1/32 X 4 2 1/2	48	1
Board	11 3/8 X 9 15/16	120	2					Strip	X		
Cover Pad	11 3/8 X 4 21/32	120	1					Strip	X		
	11 3/8 X 4 11/32	48	1					B.B. Pad	X		

Product Code

Style Case VINYL TROJAN BINDER

Sheet Size 11 x 9

Cap. 4-7

Die No. 4809

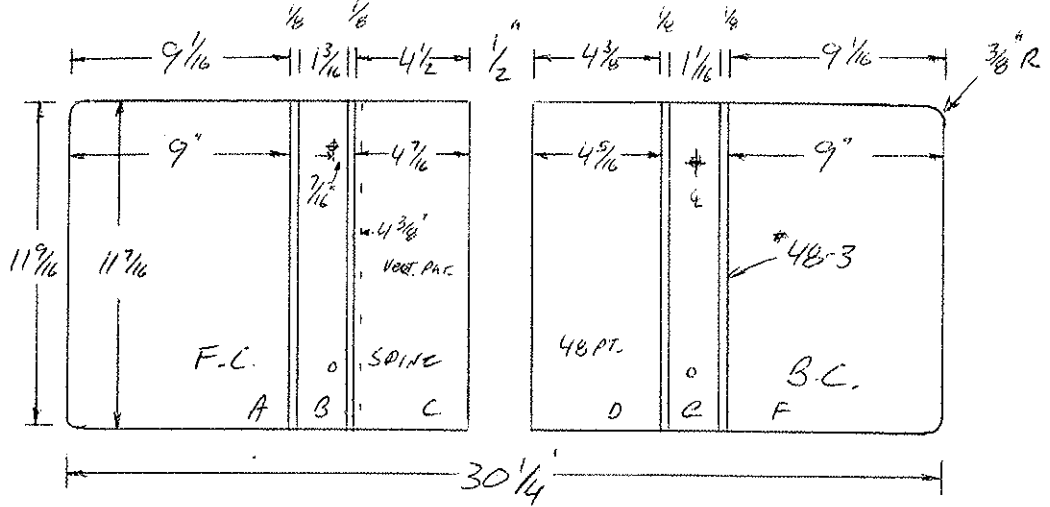
Order No. 969156

Plate K-3-5

Customer

CUMMINGS & SMITH

Metal	
Total Vinyl	
Quantity	50
Date	6-24-91
Type Corners	
Radius	3/8
Completed	



	Gauge	Thick
Tear Seal	.014	1/16
Bar Seal	48-3	1/8
Bar Seal		

	No. of Feet
Tear Seal	
Bar Seal	
Bar Seal	

DWG - B. Pace
 CHECK - JCP

Code	Ga.	# PCS	Cutting Specs		Code	Ga.	# Pcs.	Cutting Specs	
			Size	Out				Size	Out
Cover Mat.		12 1/4 x 3 1/4	15	1	Lining Mat.		12 1/4 x 3 1/4	15	1
Cover Mat	Ph.	X			Lining Mat.		X		
Vert. Pckt.	For metal	12 1/4 x 4 3/4			Horz. Pckt.		X		
Vert. Pckt.		X			Horz. Pckt.		X		
Pocket	COL	11 1/16 x 3 1/4			Pocket		X		
Label Holder		X			Card Holder		X		
Material		X			Material		X		
Material		X			Material		X		
Material		X			Material		X		
F.C. Board	A	11 1/32 x 8 29/32	120	1	B.C. Board		X		
B.C. Board	F	11 1/32 x 8 29/32	120	1	B.B. Board	D	11 1/32 x 4 7/32	48	1
Board	B	11 1/32 x 1 3/32	120	1	Board	e	11 1/32 x 3 1/32	120	1
Board	C	11 1/32 x 4 1/32	120	1	Strip		X		
Cover Pad		X			Strip		X		
					B.B. Pad		X		

Product Code

Style Case TROJAN CATALOG VB

Sheet Size 11 x 8 1/2 Cap. 2-3

Die No. 5050

Order No. 972120

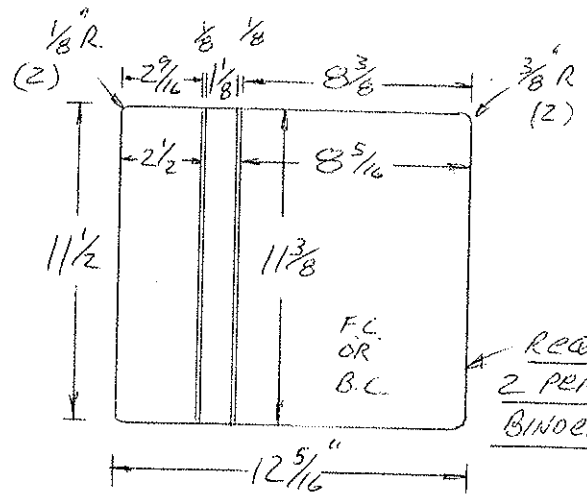
Plate 0-7-2

Customer

PERFORMANCE MEDIA / TVA

5-15

Metal
Total Vinyl
Quantity <u>105</u>
Date <u>4-27-92</u>
Type Corners
Radius <u>1/8 & 3/8</u>
Completed



	Gauge	Thick
Tear Seal	<u>.014</u>	<u>1/16</u>
Bar Seal	<u>253</u>	
Bar Seal		

	No. of Feet
Tear Seal	
Bar Seal	
Bar Seal	

DWCs - B. Pace

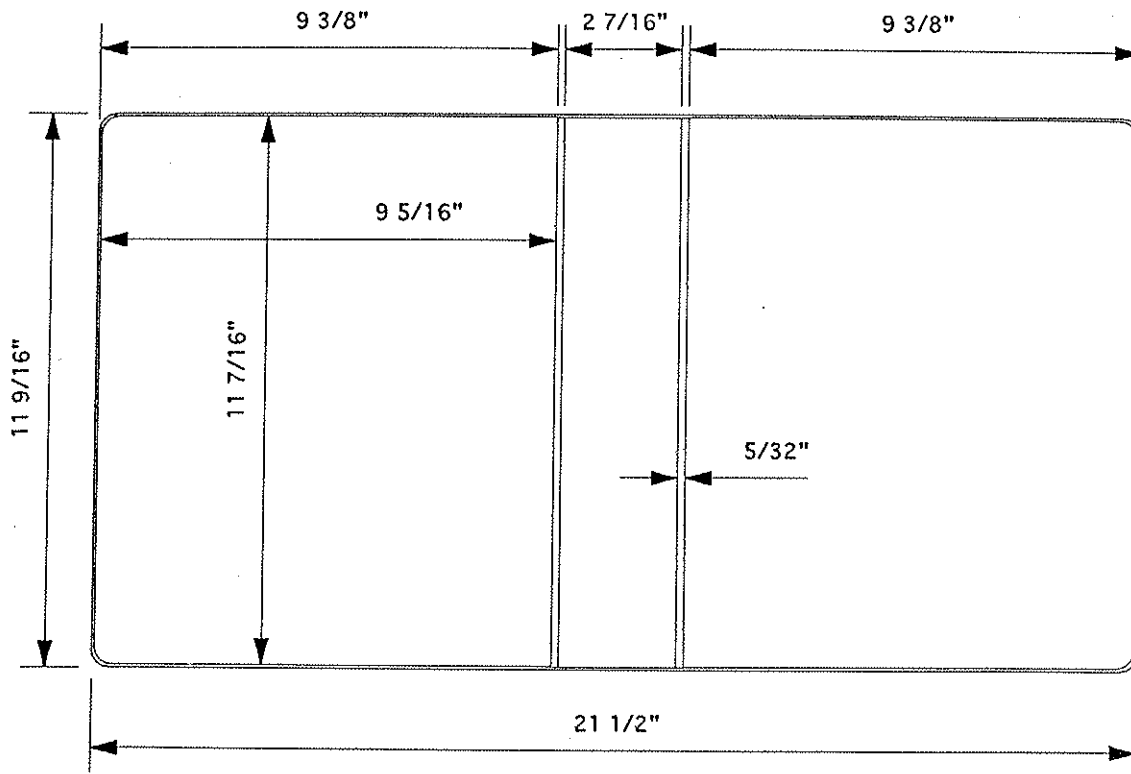
CHECK -

Requires 2 per Binder

PER SAMPLE

Code		Cutting Specs		Code		Cutting Specs			
		Ga.	# PCS	Size	Out	Ga.	# PCS	Size	Out
Cover Mat.	<u>12 1/4 x 13 1/8</u>		<u>1</u>			Lining Mat.		<u>12 1/4 x 13 1/8</u>	
Cover Mat	<u>X</u>					Lining Mat.		<u>12 1/4 x 2 3/4</u>	<u>1</u>
Vert. Pckt.	<u>X</u>					Horz. Pckt.		<u>X</u>	
Vert. Pckt.	<u>X</u>					Horz. Pckt.		<u>X</u>	
Pocket	<u>X</u>					Pocket		<u>X</u>	
Label Holder	<u>X</u>					Card Holder		<u>X</u>	
Material	<u>X</u>					Material		<u>X</u>	
Material	<u>X</u>					Material		<u>X</u>	
Material	<u>X</u>					Material		<u>X</u>	
F.C. Board	<u>11 9/32 x 8 7/32</u>	<u>120</u>	<u>1</u>			B.C. Board	<u>BC</u>	<u>11 9/32 x 2 13/32</u>	<u>22</u>
B.C. Board	<u>X</u>					B.B. Board	<u>FL</u>	<u>11 9/32 x 2 13/32</u>	<u>120</u>
Center Board	<u>X</u>					Board		<u>11 9/32 x 1 1/32</u>	<u>120</u>
Board	<u>X</u>					Strip		<u>X</u>	
Cover Pad	<u>X</u>					Strip		<u>X</u>	
						B.B. Pad		<u>X</u>	

DIE #	5684	CAP. 2"	METAL	AJAX 2"
STYLE CASE	POST BINDER			LOCATION E-15-9
SHEET SIZE	11 X 8 1/2 + 1/2		ORDER #	979593
CUSTOMER	TECHNOFLUOR			DUE DATE 10-21-94
QUANTITY	200	RADIUS	3/8	TEAR SEAL .014
DATE	10-11-94	COMPLETED		BAR SEAL 48-4



MATERIAL SPECS

GA PCS

GA PCS

COVER MAT.	12 5/16 X 22 1/4	1	LINING MAT	12 5/16 X 22 1/4	1
COVER MAT.			LINING MAT		
VERT PKT			HORZ PKT		
CARD HOLDER			GUSSET		
COL	11 11/16 X 22 1/4	1	DIAGONAL PKT		
LABEL HOLDER			REINF		

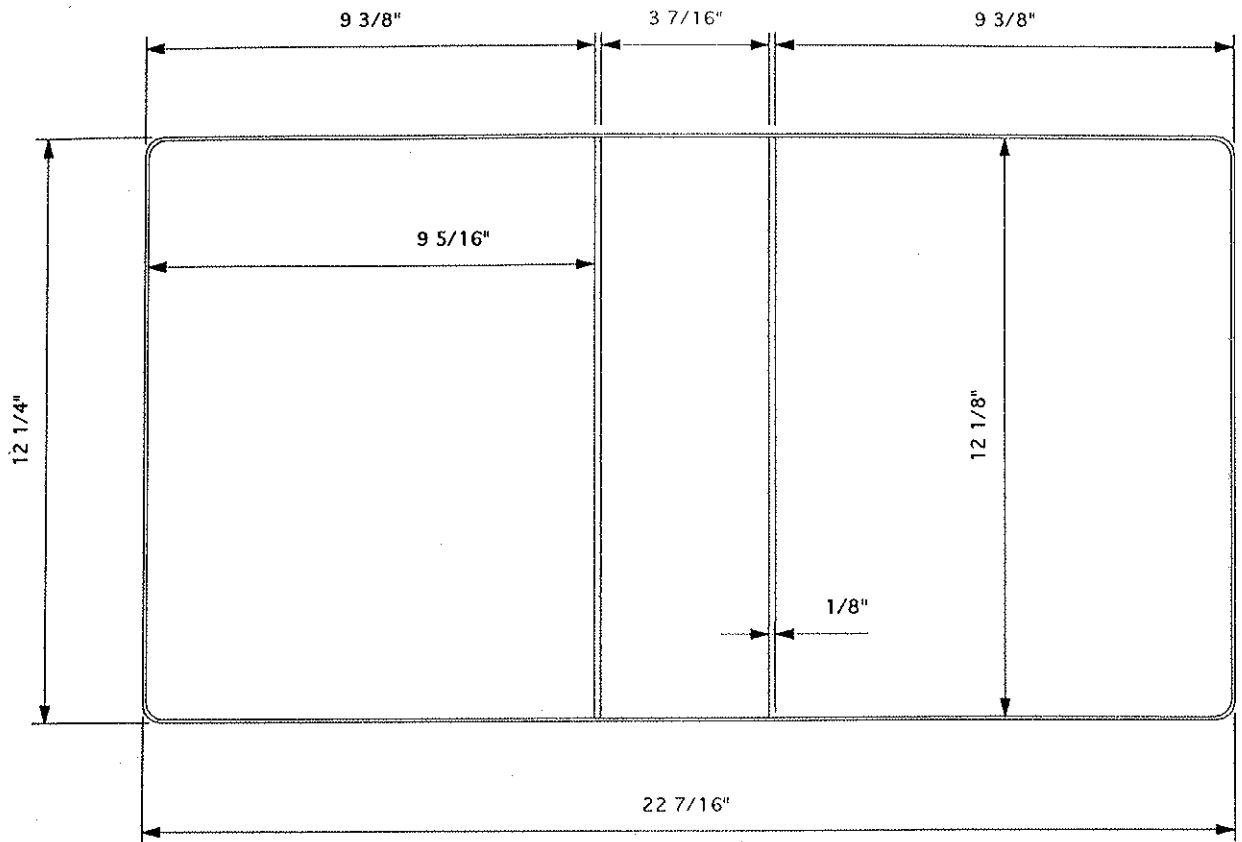
BOARD SPECS

GA PCS

GA PCS

F.C. BOARD	11 11/32 X 9 7/32	120	1	F.C. BOARD		
B.B. BOARD	11 11/32 X 2 11/32	120	1	B.B. BOARD		
B.C. BOARD	11 11/32 X 9 7/32	120	1	B.C. BOARD		
B.U. STRIP						

DIE #	5957	METAL	3" AJAX	RADIUS	3/8"
ORDER #	983128	CUSTOMER	BOISE CASCADE	TEAR SEAL	.012
SHEET SIZE	11 3/4 X 8 3/4	STYLE CASE	VINYL AJAX BINDER	BAR SEAL	253
CAP.	3"	DUE DATE	12-5-95	COMPLETED	
LOCATION	L-7-9	QUANTITY	50	DATE	11-16-96



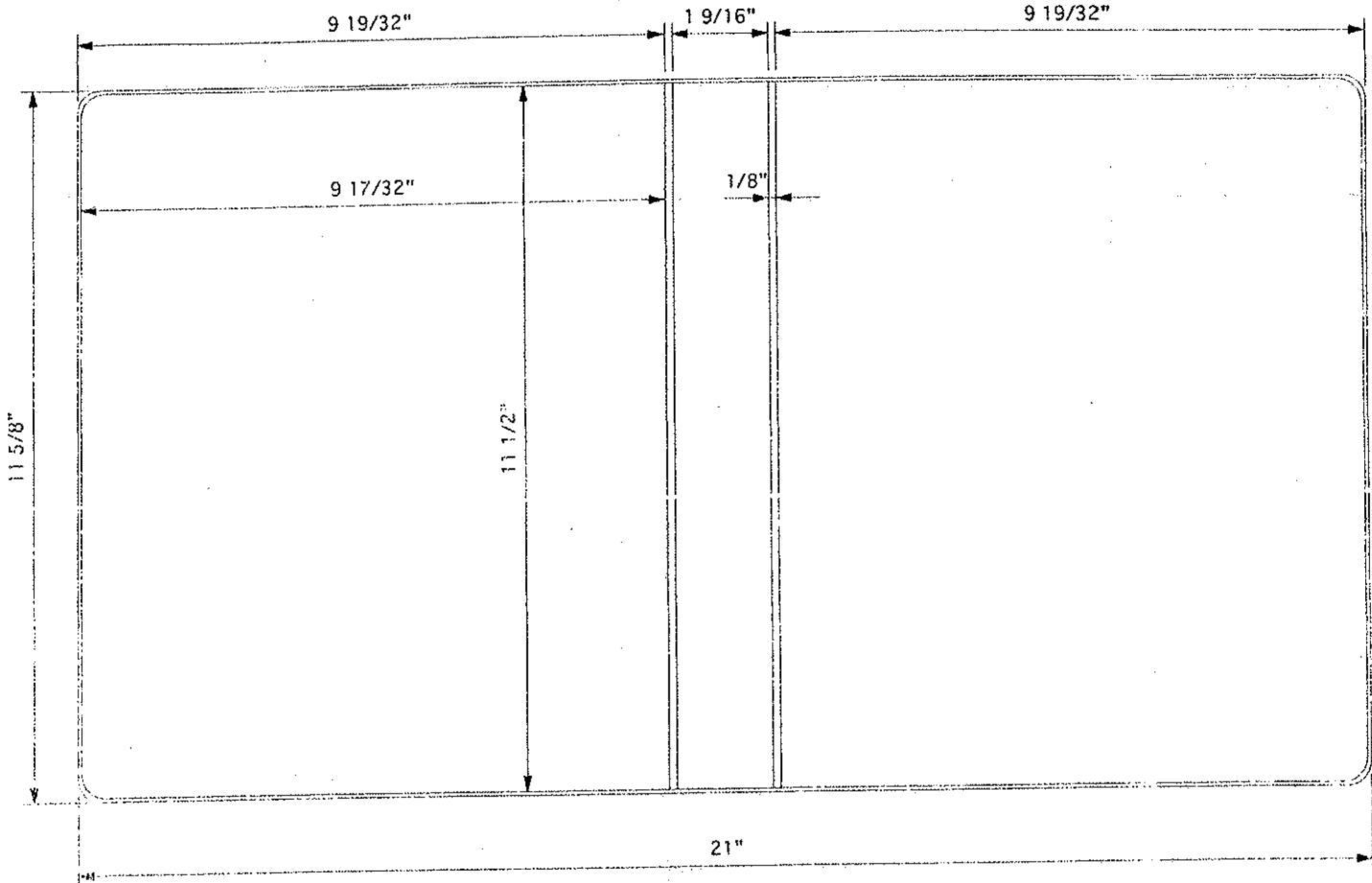
MATERIAL SPECS		GAUGE		PCS.		MATERIAL SPECS		GAUGE	
COVER MAT.	13 X 23 1/4		1	LINING MAT.	13 X 23 1/4				
COVER MAT.				LINING MAT.					
DIE CUT				HORZ. PKT.					
COL				VERT. PKT.					
LABEL HOLDER	3 X 4		1	DIE CUT					
GUSSET				REINF.					

BOARD SPECS		GAUGE		PCS.		BOARD SPECS		GAUGE	
F.C. BOARD	12 1/32 X 9 7/32	135	1	F.C. BOARD					
B.B. BOARD	12 1/32 X 3 11/32	135	1	B.B. BOARD					
B.C. BOARD	12 1/32 X 9 7/32	135	1	B.C. BOARD					
B.U. STRIP				DIE CUT					
DIE CUT				DIE CUT					

DIE # 7490
 ORDER # 566119
 SHEET SIZE 11 X 9
 CAP. 1"
 LOCATION

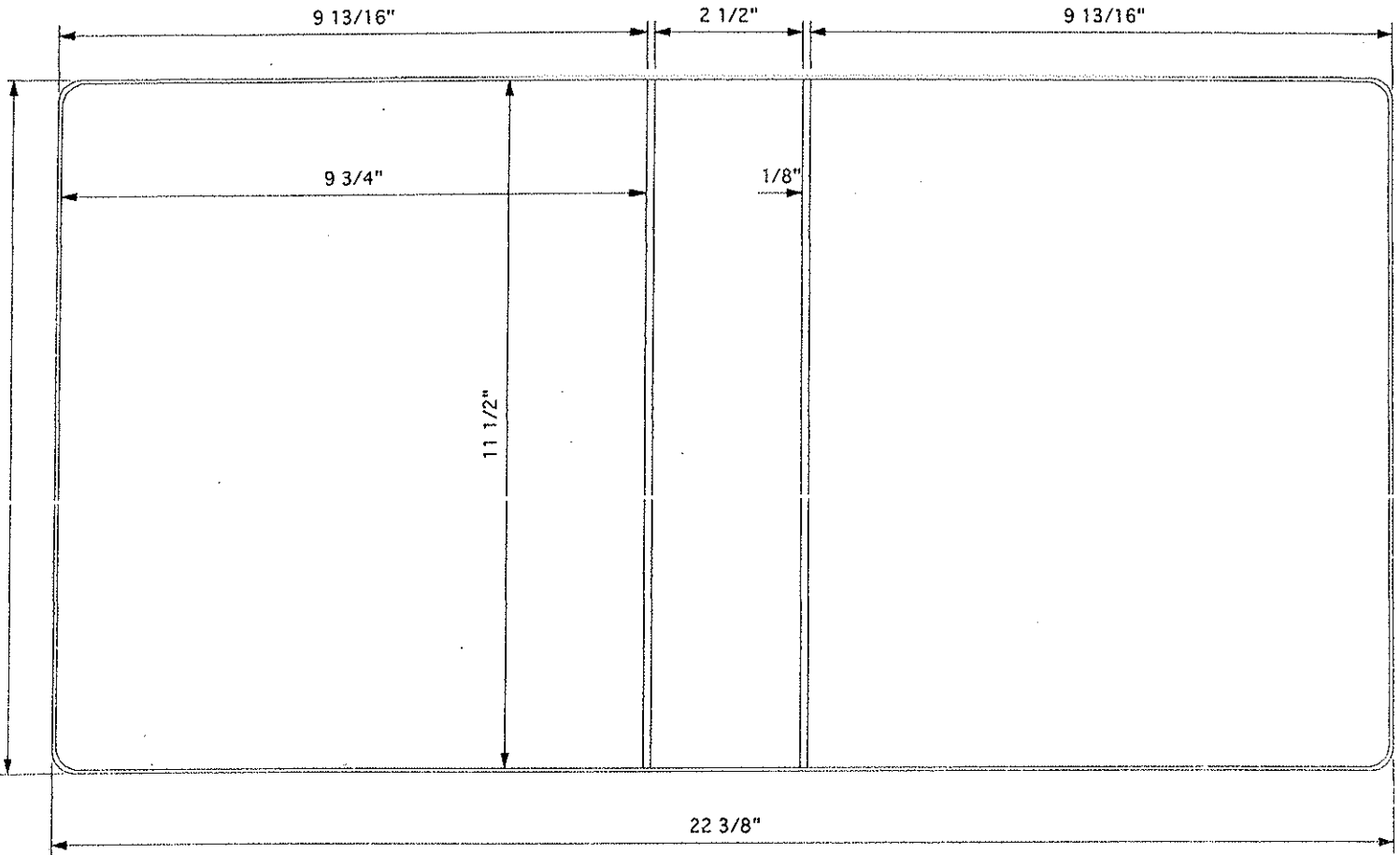
METAL AJAX POST
 CUSTOMER GENERAL ELECTRIC
 STYLE CASE VINYL BINDER
 DUE DATE 7-18-03
 QUANTITY 48

RADIUS 3/8"
 TEAR SEAL
 BAR SEAL
 COMPLETED
 DATE 7-15-03



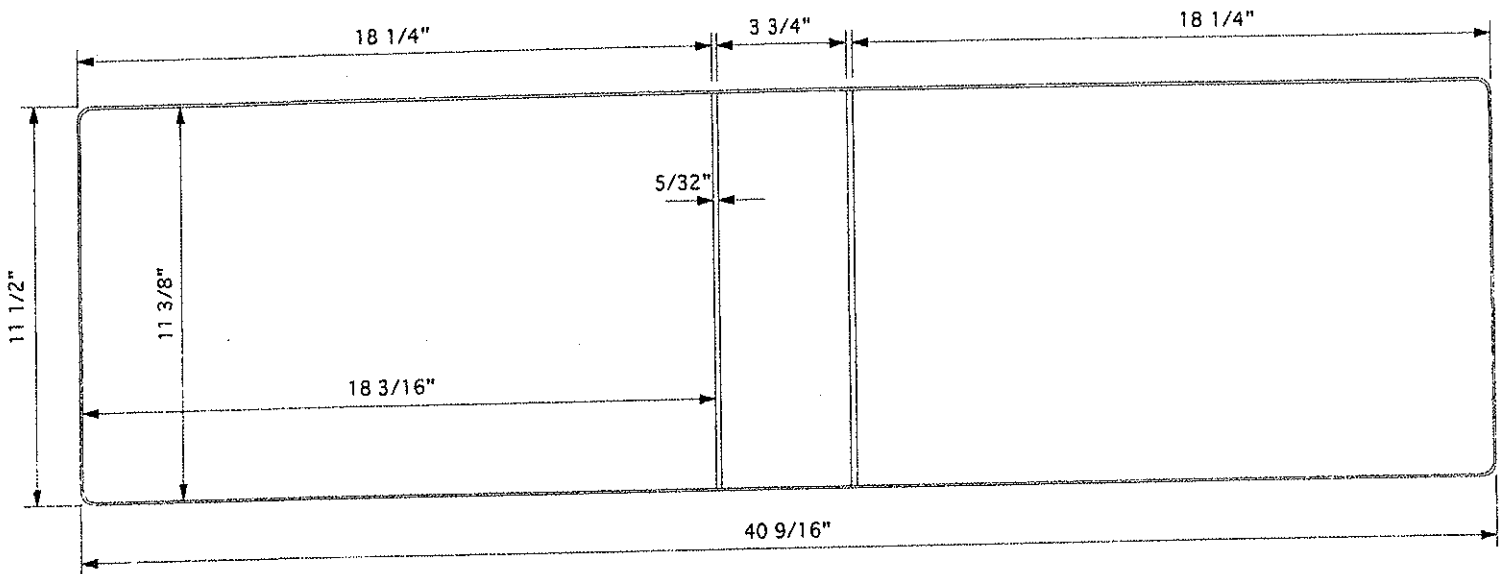
MATERIAL SPECS		GUAGE	PCS	MATERIAL SPECS		GUAGE	PCS
COVER MAT.	12 1/4 X 21 3/4	1		LINING MAT.	12 1/4 X 21 3/4	1	
COVER MAT.				LINING MAT.			
DIE CUT				HORZ. PKT.			
COL	11 5/8 X 21 3/4	1		VERT. PKT.			
LABEL HOLDER				DIE CUT			
GUSSET				REINF.			
BOARD SPECS	F.C. R. CORNERS	GUAGE	PCS	BOARD SPECS	F.C. R. CORNERS	GUAGE	PCS
F.C. BOARD	11 13/32 X 9 13/32	100	1	F.C. BOARD			
B.B. BOARD	11 13/32 X 1 7/16	100	1	B.B. BOARD			
B.C. BOARD	11 13/32 X 9 13/32	100	1	B.C. BOARD			
FLAP BD.				DIE CUT			
BOARD				DIE CUT			

DIE #	7491	METAL	AJAX POST	RADIUS	3/8"
ORDER #	566101	CUSTOMER	GENERAL ELECTRIC	TEAR SEAL	
SHEET SIZE	11 X 9	STYLE CASE	VINYL BINDER	BAR SEAL	
CAP.	2"	DUE DATE	7-18-03	COMPLETED	
LOCATION		QUANTITY	48	DATE	7-15-03



MATERIAL SPECS		GAUGE	PCS.	MATERIAL SPECS		GAUGE	PCS.
COVER MAT.	12 1/4 X 23 1/8			1 LINING MAT.	12 1/4 X 23 1/8		1
COVER MAT.				LINING MAT.			
DIE CUT				HORZ. PKT.			
COL	11 5/8 X 23 1/8			1 VERT. PKT.			
LABEL HOLDER				DIE CUT			
GUSSET				REINF.			
BOARD SPECS	5/16" R. CORNERS	GAUGE	PCS.	BOARD SPECS	5/16" R. CORNERS	GAUGE	PCS.
F.C. BOARD	11 7/16 X 9 21/32	120	1	F.C. BOARD			
B.B. BOARD	11 7/16 X 2 13/32	120	1	B.B. BOARD			
B.C. BOARD	11 7/16 X 9 21/32	120	1	B.C. BOARD			
FLAP BD				DIE CUT			
BOARD				DIE CUT			

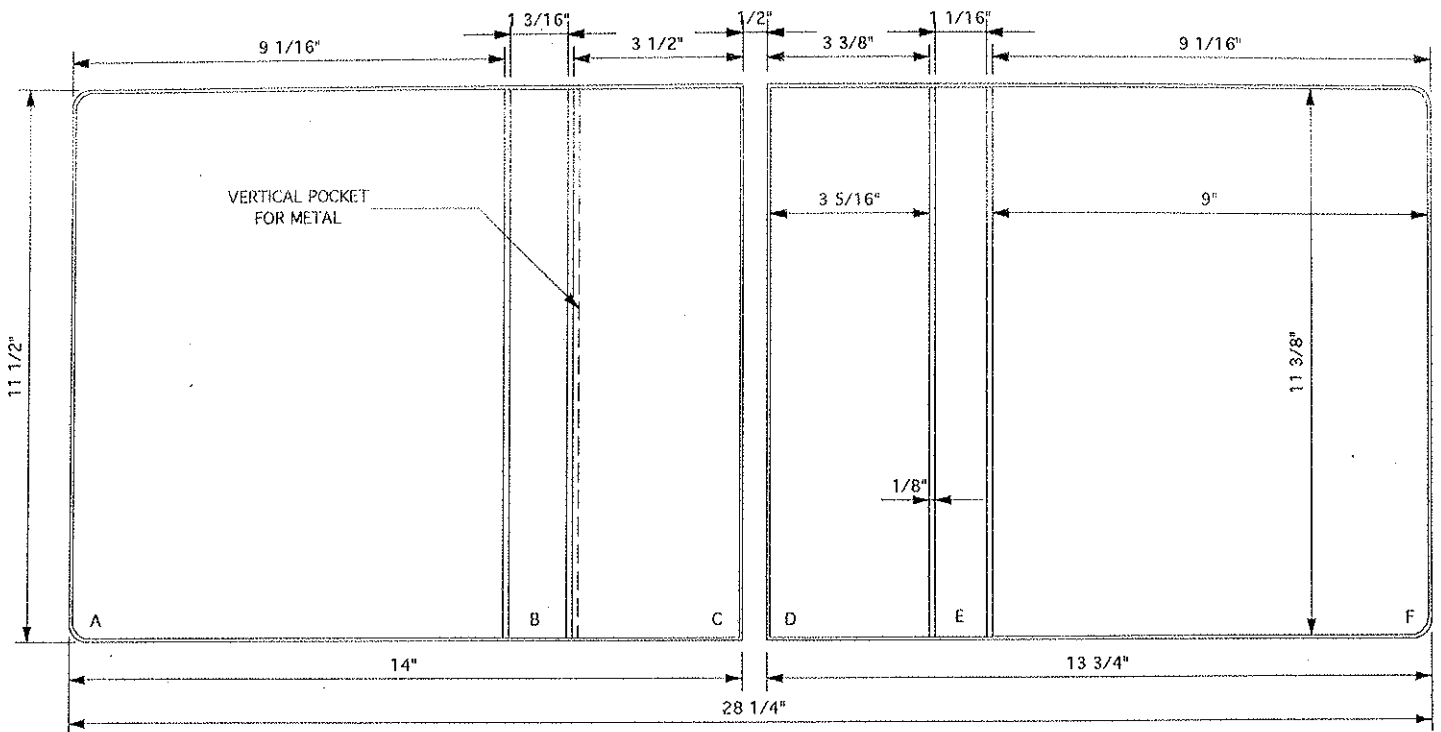
DIE #	7631	METAL	AJAX	RADIUS	3/8"
ORDER #	603127	CUSTOMER	BRAIN STREAM PRINTNG	TEAR SEAL	.014
SHEET SIZE	11 X 17 1/2	STYLE CASE	VINYL AJAX BINDER	BAR SEAL	48-4
CAP.	3"	DUE DATE	2-17-04	COMPLETED	
LOCATION		QUANTITY	50	DATE	2-9-04



MATERIAL SPECS		GAUGE	PCS.	MATERIAL SPECS		GAUGE	PCS.
COVER MAT.	12 1/4 X 41 3/8		1	LINING MAT.	12 1/4 X 41 3/8		1
COVER MAT.				LINING MAT.			
DIE CUT				HORZ. PKT.			
COL	11 11/16 X 23 1/2		1	VERT. PKT.			
LABEL HOLDER				DIE CUT			
GUSSET				REINF.			
BOARD SPECS		5/16" R. CORNERS		GAUGE	PCS.	BOARD SPECS	
F.C. BOARD	11 9/32 X 18 3/32	135	1	F.C. BOARD			
B.B. BOARD	11 9/32 X 3 21/32	135	1	B.B. BOARD			
B.C. BOARD	11 9/32 X 18 3/32	135	1	B.C. BOARD			
FLAP BD.				DIE CUT			
BOARD	11 7/32 x 3 19/32	35	pt	DIE CUT			
BOARD SPECS		5/16" R. CORNERS		GAUGE	PCS.	BOARD SPECS	

DIE #	8276	METAL	3" TROJAN	RADIUS	3/8"
ORDER #	771737	CUSTOMER	JACOBS ENGINEERING	TEAR SEAL	.014
SHEET SIZE	11 X 9	STYLE CASE	VINYL TROJAN	BAR SEAL	253
CAP.	3"	DUE DATE	2-12-07	COMPLETED	
LOCATION		QUANTITY	100	DATE	1-31-07

*** WARNING DRAWING NOT ACTUAL SIZE ***



MATERIAL SPECS		GAUGE	PCS.	MATERIAL SPECS		GAUGE	PCS.
COVER MAT.	12 1/4 X 29		1	LINING MAT.	12 1/4 X 29		1
COVER MAT.				LINING MAT.			
DIE CUT				HORZ. PKT.			
COL	11 5/8 X 14 3/4		1	VERT. PKT.	12 1/4 X 3 3/4		1
LABEL HOLDER				DIE CUT			
GUSSET				REINF.			

BOARD SPECS		5/16" R. CORNERS		GAUGE	PCS.	BOARD SPECS		5/16" R. CORNERS		GAUGE	PCS.
BOARD	A	11 5/16 X 8 15/16	120	1	BOARD	F	11 5/16 X 8 15/16	120	1		
BOARD	B	11 5/16 X 1 1/32	120	1	B.B. BOARD						
BOARD	C	11 5/16 X 3 11/32	120	1	B.C. BOARD						
BOARD	D	11 5/16 X 3 7/32	48	1	DIE CUT						
BOARD	E	11 5/16 X 3 1/32	120	1	DIE CUT						