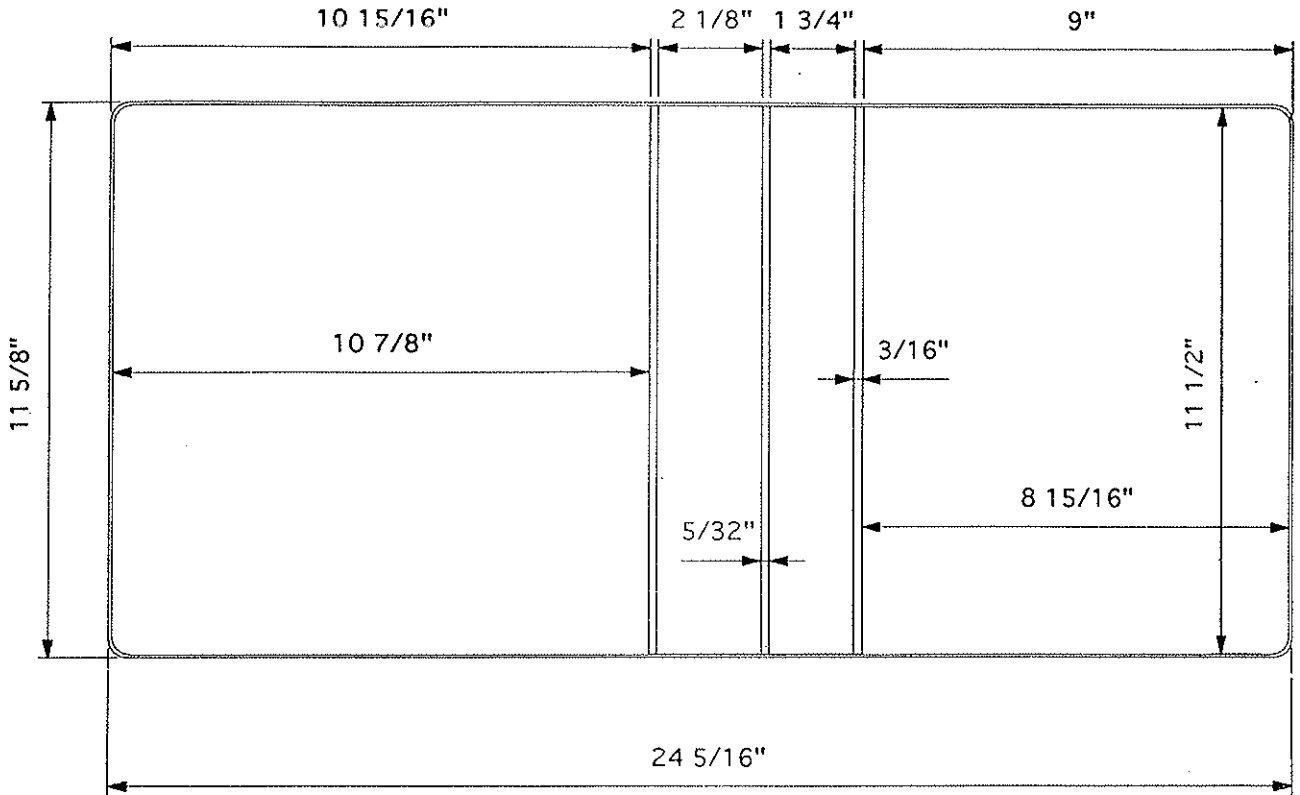


Clear Front

2-up die # 5955

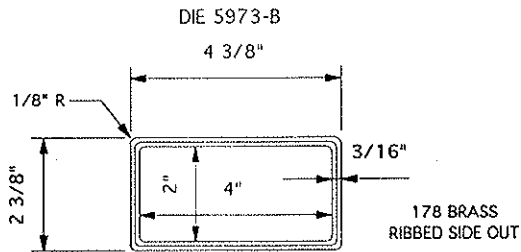
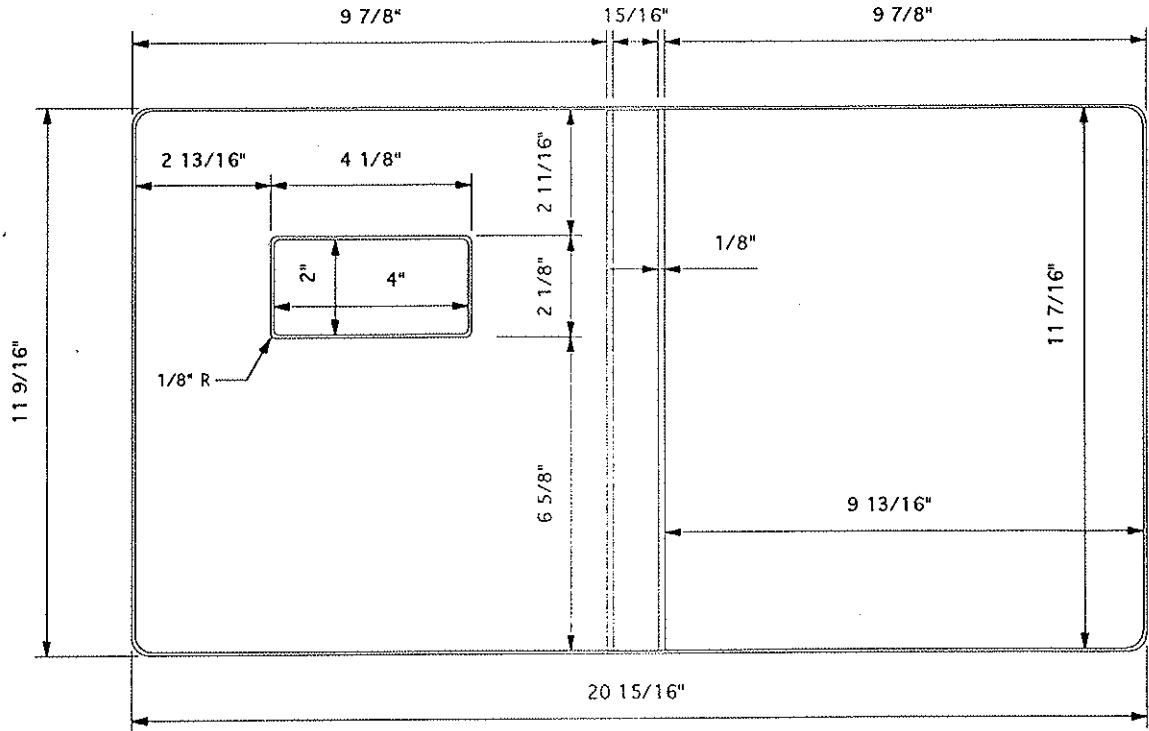
DIE #	5955	METAL	LOC NARROW BASE	RADIUS	3/8"
ORDER #	983030	CUSTOMER	HOLT & RINEHART	TEAR SEAL	.012
SHEET SIZE	11 X 9	STYLE CASE	VINYL RING BINDER	BAR SEAL	254-178
CAP.	1 1/2"	DUE DATE	11-10-95	COMPLETED	
LOCATION		QUANTITY	3	DATE	11-13-95



MATERIAL SPECS		GAUGE		PCS.		MATERIAL SPECS		GAUGE		PCS.	
COVER MAT.	12 3/8 X 15 3/4			1		LINING MAT.	12 3/8 X 15 3/4				
COVER MAT.	12 3/8 X 9 5/8			1		LINING MAT.					
DIE CUT						HORZ. PKT.					
COL						HORZ. PKT.					
EX COL NO TRIM						ONE SIDED					
LABEL HOLDER	3 5/8 X 2 1/2			1		ONE SIDED					

NORMAL 1/16" TOL		PCS.		EXPANDED MATERIAL BOARD TOL. (3/32")		PCS.	
F.C. BOARD				REINF. BD	11 13/32 X 2 1/32	35 pt.	1
B.B. BOARD				B.B. BOARD	11 13/32 X 2 1/32	100 pt.	1
B.C. BOARD				B.C. BOARD	11 13/32 X 10 25/32	125 pt.	1
B.U. STRIP				B.B. BOARD	11 13/32 X 1 21/32	125 pt.	1

DIE #	5973-A+B	METAL	LOC	RADIUS	3/8"
ORDER #	983328	CUSTOMER	GRAPHIC IMPRESSIONS	TEAR SEAL	.014
SHEET SIZE	11 X 9	STYLE CASE	VRB W/WINDOW	BAR SEAL	48-4
CAP.	1/2"	DUE DATE	1-5-96	COMPLETED	
LOCATION	F-5-8	QUANTITY	500	DATE	12-15-9

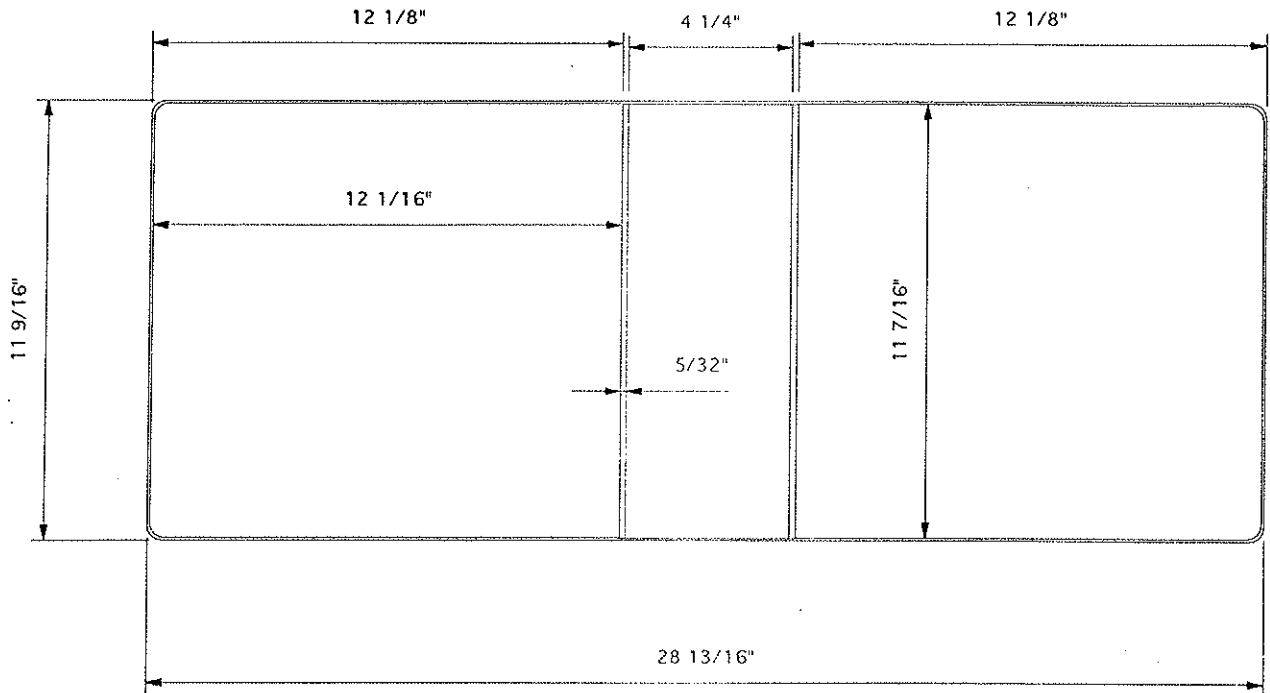


MATERIAL SPECS		GAUGE		PCS.		MATERIAL SPECS		GAUGE	
COVER MAT.	12 5/16 X 21 3/4			1		LINING MAT.	12 5/16 X 21 3/4		
COVER MAT.						LINING MAT.			
DIE CUT						HORZ. PKT.	5 3/8 X 10 3/8		
COL						VERT. PKT.			
CLEAR WINDOW	2 3/8 X 4 3/8			1		DIE CUT			
GUSSET						REINF.			

BOARD SPECS		GAUGE		PCS.		BOARD SPECS		GAUGE	
F.C. BOARD	12 3/8 X 21 (2 OUT) DIE 5973-C	120	1	1		F.C. BOARD			
B.B. BOARD	11 11/32 X 27/32	120	1			B.B. BOARD			
B.C. BOARD	11 11/32 X 9 23/32	120	1			B.C. BOARD			
B.U. STRIP						DIE CUT			
DIE CUT						DIE CUT			

Special Size

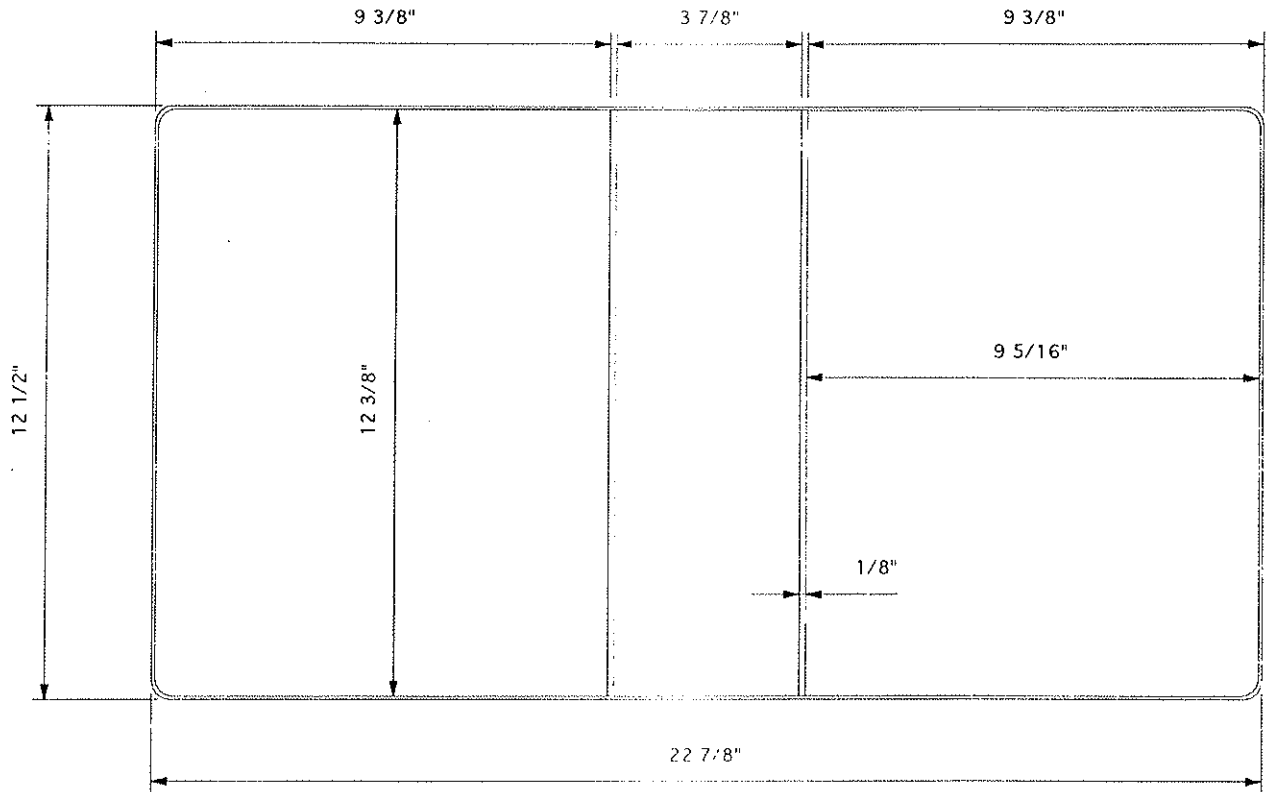
DIE #	5988	METAL	US RING RD LOCKING	RADIUS	3/8"
ORDER #	983551	CUSTOMER	MAHARAM FABRIC CORP	TEAR SEAL	.014
SHEET SIZE	11 X 9	STYLE CASE	VINYL RING BINDER	BAR SEAL	48-4
CAP.	3"	DUE DATE	1-15-96	COMPLETED	
LOCATION	F-3-8	QUANTITY	5000	DATE	1-16-96



MATERIAL SPECS		GAUGE		MATERIAL SPECS		GAUGE	
COVER MAT.	12 5/16 X 29 9/16		1	LINING MAT.	12 5/16 X 29 9/16		
COVER MAT.				LINING MAT.			
DIE CUT				HORZ. PKT.	4 7/8 X 29 9/16		
COL	11 11/16 X 29 9/16		1	VERT. PKT.			
LABEL HOLDER				DIE CUT			
GUSSET				REINF.			

BOARD SPECS		GAUGE		BOARD SPECS		GAUGE	
F.C. BOARD	11 11/32 X 11 31/32	120	1	F.C. BOARD	11 3/8 X 12		
B.B. BOARD	11 11/32 X 4 5/32	120	1	B.B. BOARD	11 3/8 X 4 5/32		
B.C. BOARD	11 11/32 X 11 31/32	120	1	B.C. BOARD	11 3/8 X 12		
B.U. STRIP				DIE CUT			
DIE CUT				DIE CUT			

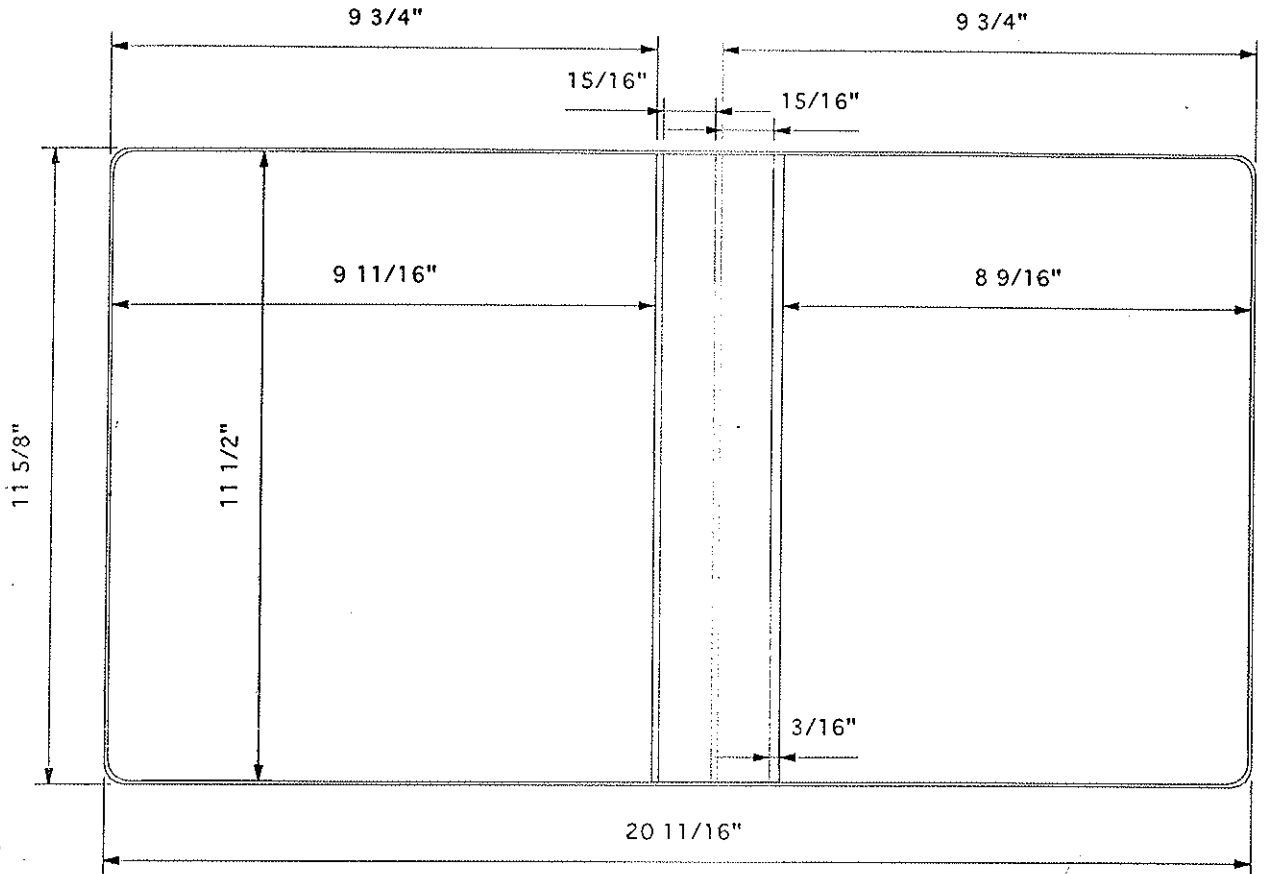
DIE #	6072	METAL	TMPI METAL	RADIUS	3/8
ORDER #	984716	CUSTOMER	LE PAVILLION HOTEL	TEAR SEAL	.012
SHEET SIZE	11 X 9	STYLE CASE	VINYL BINDER	BAR SEAL	253
CAP.	3 3/4	DUE DATE	6-7-96	COMPLETED	
LOCATION	G-6-7	QUANTITY	250	DATE	5-30-96



MATERIAL SPECS		GAUGE		PCS.		MATERIAL SPECS		GAUGE		PCS.	
COVER MAT.	13 1/2 X 23 7/8			1		LINING MAT.	13 1/4 X 23 5/8				
COVER MAT.						LINING MAT.					
DIE CUT						HORZ. PKT.					
COL						VERT. PKT.	13 1/4 X 5 3/8				
LABEL HOLDER						DIE CUT					
GUSSET						REINF.					

BOARD SPECS		GAUGE		PCS.		BOARD SPECS		GAUGE		PCS.	
F.C. BOARD	12 9/32 X 9 7/32	120	1			F.C. BOARD					
B.B. BOARD	12 9/32 X 3 25/32	120	1			B.B. BOARD					
B.C. BOARD	12 9/32 X 9 7/32	120	1			B.C. BOARD					
FLAP BD.						DIE CUT					
BOARD						DIE CUT					

DIE #	6147	METAL	LOC	RADIUS	3/8
ORDER #	985887	CUSTOMER	O D RESOURCES	TEAR SEAL	014
SHEET SIZE	11 X 9	STYLE CASE	VRB W/SEE THRU FRONT	BAR SEAL	
CAP.	1/2"	DUE DATE	11-22-96	COMPLETED	
LOCATION	G-3-1	QUANTITY	500	DATE	11-12-9

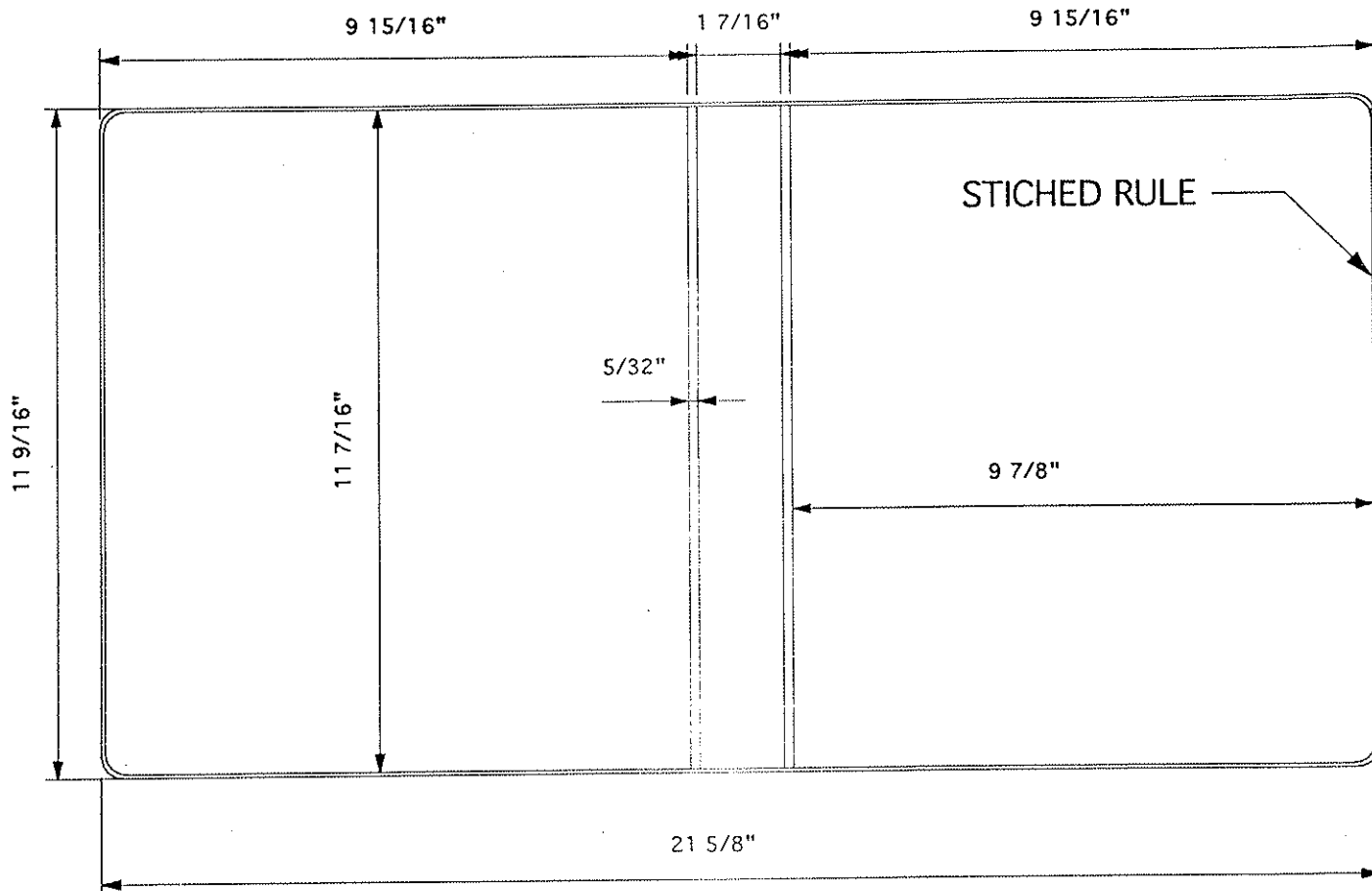


MATERIAL SPECS		GAUGE		PCS.		MATERIAL SPECS		GAUGE	
COVER MAT.	12 3/8 X 12 1/2			1		LINING MAT.	12 3/8 X 12 1/2		
COVER MAT.	12 3/8 X 9 1/4			1		LINING MAT.			
DIE CUT						HORZ. PKT.			
COL						VERT. PKT.			
LABEL HOLDER						DIE CUT			
GUSSET						REINF.			

BOARD SPECS		GAUGE		PCS.		BOARD SPECS		GAUGE	
F.C. BOARD	11 7/16 X 9 5/8	100	1	1		F.C. BOARD			
B.B. BOARD	11 7/16 X 27/32	100	1	1		B.B. BOARD			
B.C. BOARD	11 7/16 X 27/32	100	1	1		B.C. BOARD			
FLAP BD.						DIE CUT			
BOARD						DIE CUT			

DIE #	6176	METAL	LOC + STR D.	RADIUS	3/8
ORDER #	74720	CUSTOMER	ALPHA GRAPHICS	TEAR SEAL	.012
SHEET SIZE	11 X 9	STYLE CASE	STOCK SIZE W/STICHD EDGE	BAR SEAL	484
CAP.	1"	DUE DATE	1-14-97	COMPLETED	
LOCATION	G-1-8	QUANTITY	500	DATE	12-30-96

SAME AS 4286 FIAB
EXCEPT STICHD RULE

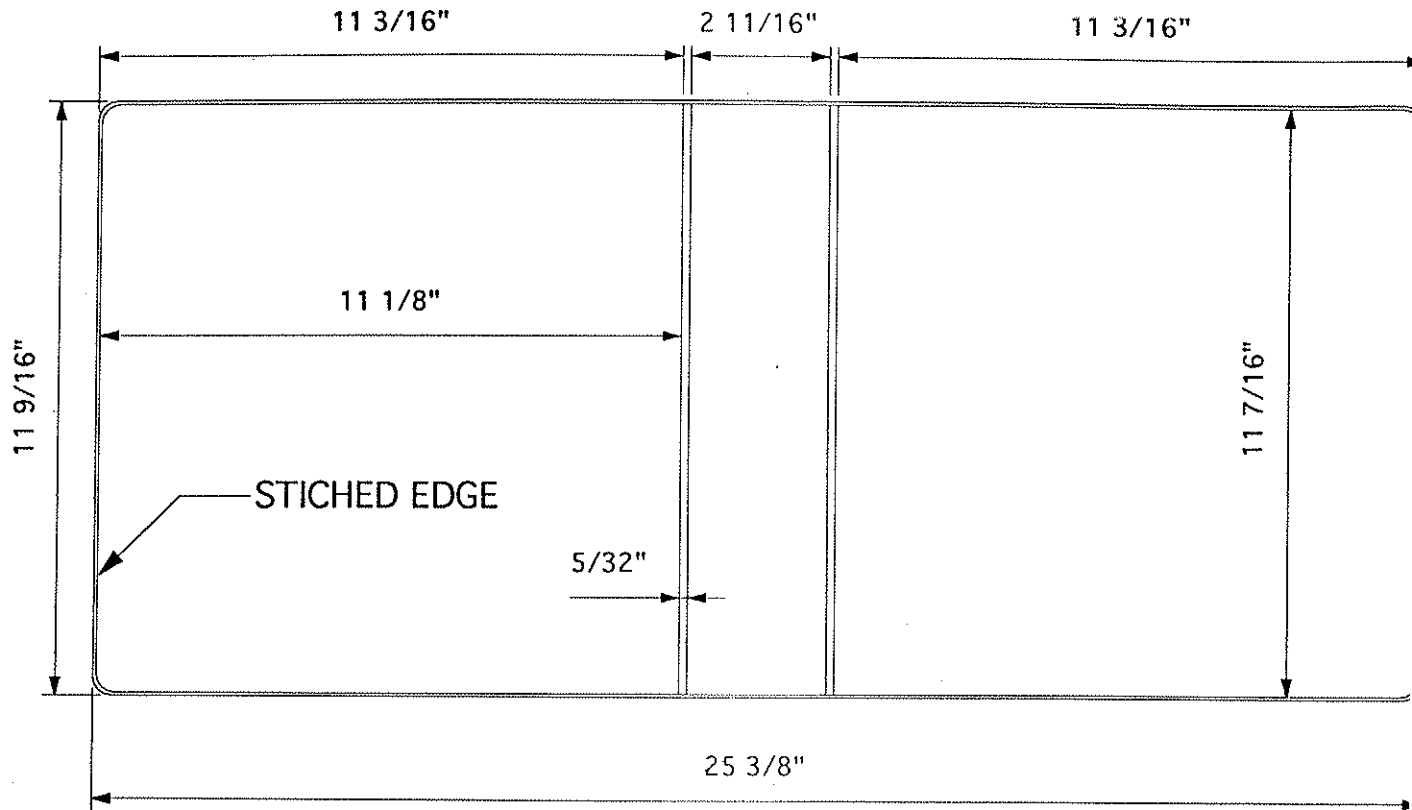


MATERIAL SPECS		GAUGE	PCS.	MATERIAL SPECS		GAUGE
COVER MAT.	12 3/8 X 22 3/8		1	LINING MAT.	12 3/8 X 22 3/8	
PICTORIAL				LINING MAT.		
DIE CUT				HORZ. PKT.		
COL				HORZ. PKT.	4 7/8 X 22 3/8	
EX COL NO TRIM				ONE SIDED		
EX COL				ONE SIDED		

NORMAL 1/16" TOL		PCS.	EXPANDED MATERIAL BOARD TOL. (3/32")	
F.C. BOARD	11 3/8 X 9 13/16	1	F.C. BOARD	11 11/32 X 9 25/32
B.B. BOARD	11 3/8 X 1 11/32	1	B.B. BOARD	11 11/32 X 1 11/32
B.C. BOARD	11 3/8 X 9 13/16	1	B.C. BOARD	11 11/32 X 9 25/32
B.U. STRIP			DIE CUT	

DIE #	6177	METAL	HOC + STR D	RADIUS	3/8
ORDER #	74721	CUSTOMER	STOCK SIZE W/STICHD EDGE	TEAR SEAL	.012
SHEET SIZE	11X9	STYLE CASE	ALPHA GRAPHICS	BAR SEAL	484
CAP.	2"	DUE DATE	1-14-97	COMPLETED	
LOCATION	G-1-5	QUANTITY	1000	DATE	12-30-9

SAME AS 4292 FIAB
EXCEPT STICHD EDGE



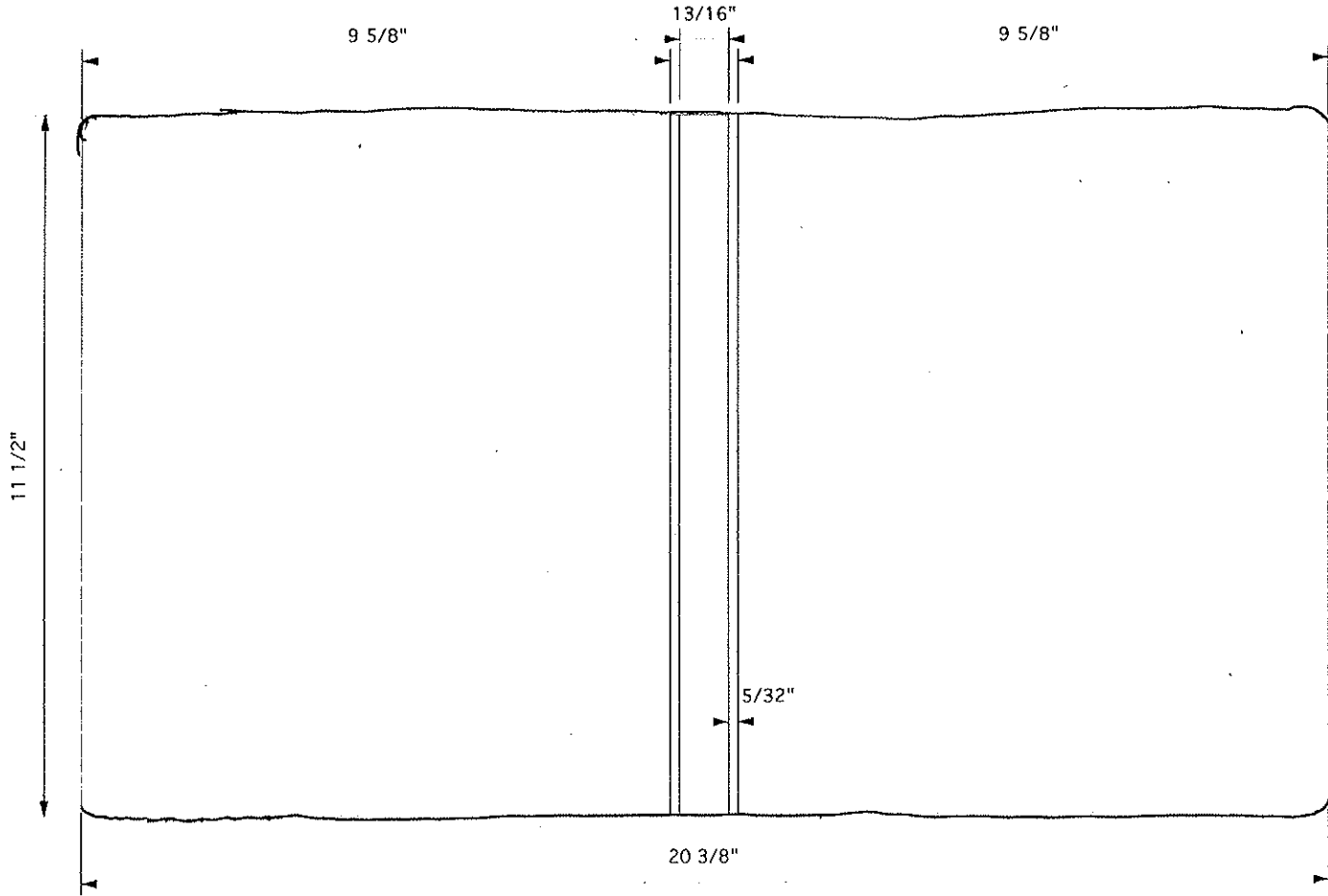
MATERIAL SPECS		GAUGE		MATERIAL SPECS		GAUGE	
COVER MAT.	12 3/8 X 26 1/8		1	LINING MAT.	12 3/8 X 26 1/8		
PICTORIAL				LINING MAT.			
DIE CUT				HORZ. PKT.			
COL				HORZ. PKT.	4 7/8 X 26 1/8		
EX COL NO TRIM				ONE SIDED			
EX COL				ONE SIDED			

NORMAL 1/16" TOL		PCS.		EXPANDED MATERIAL BOARD TOL. (3/32")	
F.C. BOARD	11 3/8 X 11 1/16	1		F.C. BOARD	11 11/32 X 11 1/32
B.B. BOARD	11 3/8 X 2 19/32	1		B.B. BOARD	11 11/32 X 2 19/32
B.C. BOARD	11 3/8 X 11 1/16	1		B.C. BOARD	11 11/32 X 11 1/32
B.U. STRIP				DIE CUT	

Use for FIA Only

Matched Customer Sample

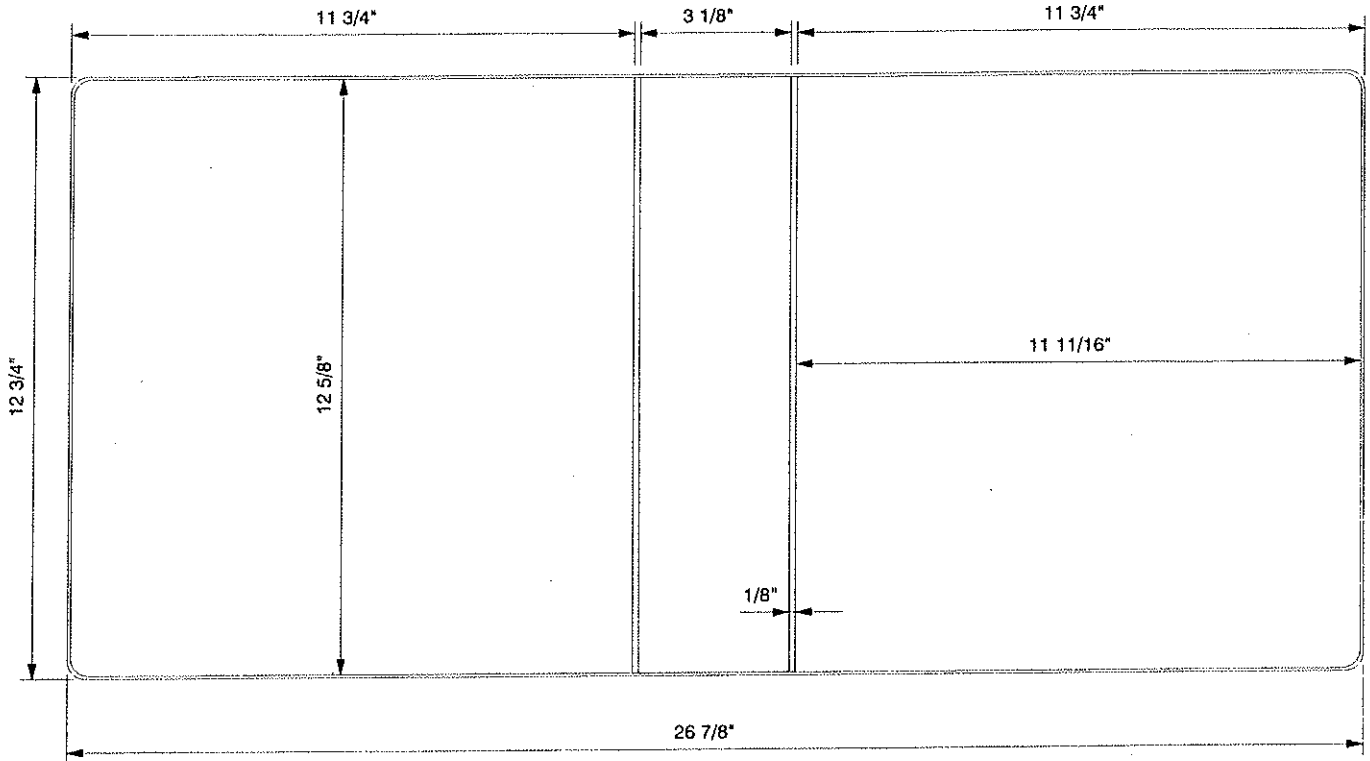
DIE #	6203	METAL	LOC	RADIUS	1/4"
ORDER #	986554	CUSTOMER	F I A CORP	TEAR SEAL	NAT EDG
SHEET SIZE	11 X 9	STYLE CASE	VINYL RING BINDER	BAR SEAL	SPECIAL
CAP.	3/4	DUE DATE	3-5-97	COMPLETED	
LOCATION	H-7-2	QUANTITY	325	DATE	2-18-97



MATERIAL SPECS		GAUGE	PCS.	MATERIAL SPECS		GAUGE	PCS.
COVER MAT.	12 1/4 X 21 1/8		1	LINING MAT.	12 1/4 X 21 1/8		
COVER MAT.				LINING MAT.			
DIE CUT				HORZ. PKT.	5 3/8 X 21 1/8		
COL	11 11/16 X 11 1/2		1	VERT. PKT.			
LABEL HOLDER				DIE CUT			
GUSSET				REINF.			

BOARD SPECS		GAUGE	PCS.	BOARD SPECS		GAUGE	PCS.
F.C. BOARD	11 3/8 X 9 1/2	120	1	F.C. BOARD			
B.B. BOARD	11 3/8 X 23/32	120	1	B.B. BOARD			
B.C. BOARD	11 3/8 X 9 1/2	120	1	B.C. BOARD			
FLAP BD.				DIE CUT			
BOARD				DIE CUT			

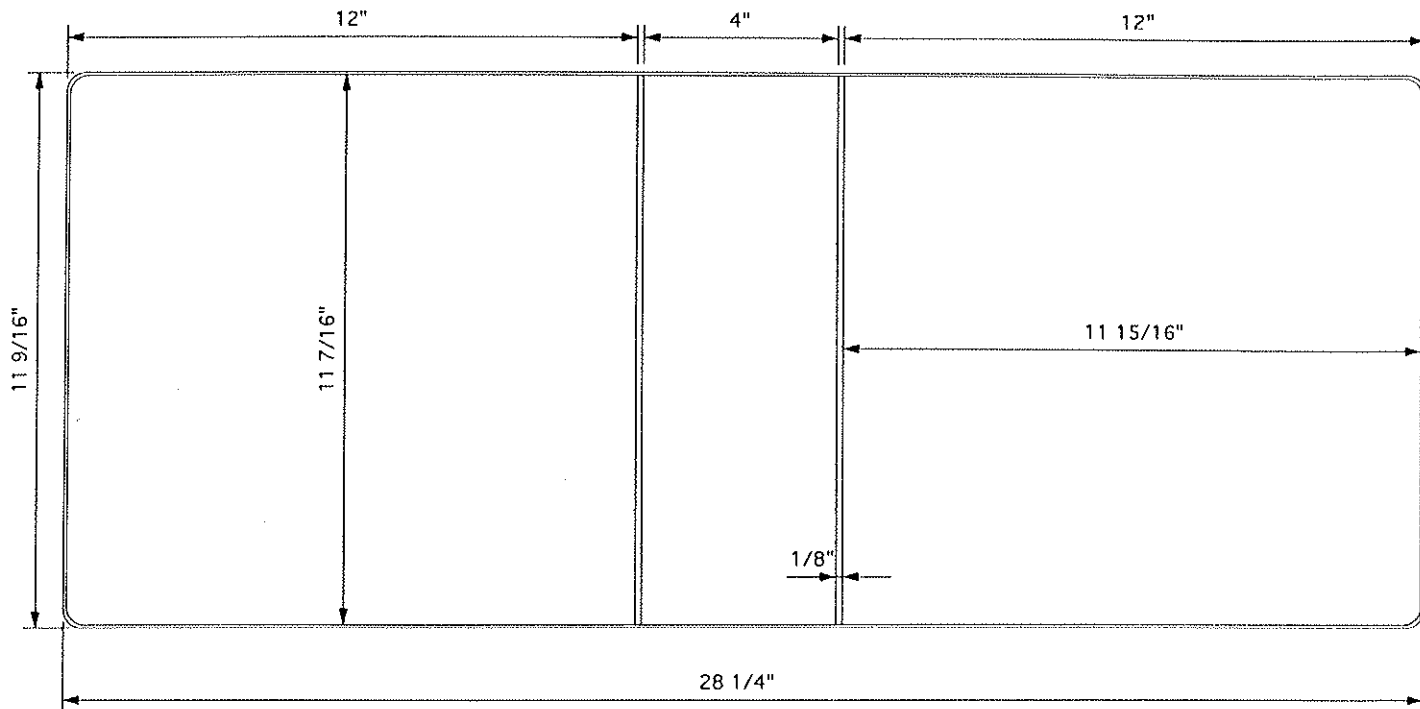
DIE #	6217	METAL	HOC	RADIUS	3/8"
ORDER #	986700	CUSTOMER	THE LEADERSHIP CENTER	TEAR SEAL	.014
SHEET SIZE	11 X 9	STYLE CASE	VINYL RING BINDER	BAR SEAL	253
CAP.	2"	DUE DATE	3-18-97	COMPLETED	
LOCATION	H-6-1	QUANTITY	250	DATE	3-14-97



MATERIAL SPECS		GAUGE	PCS.	MATERIAL SPECS		GAUGE	PCS.
COVER MAT.	13 1/2 X 27 5/8		1	LINING MAT.	13 1/2 X 27 5/8		1
COVER MAT.				LINING MAT.			
DIE CUT				HORZ. PKT.			
COL				VERT. PKT.			
LABEL HOLDER				DIE CUT			
GUSSET				REINF.			

BOARD SPECS		GAUGE	PCS.	BOARD SPECS		GAUGE	PCS.
F.C. BOARD	12 17/32 X 11 19/32	120	1	F.C. BOARD			
B.B. BOARD	12 17/32 X 3 1/32	120	1	B.B. BOARD			
B.C. BOARD	12 17/32 X 11 19/32	120	1	B.C. BOARD			
FLAP BD.				DIE CUT			
BOARD				DIE CUT			

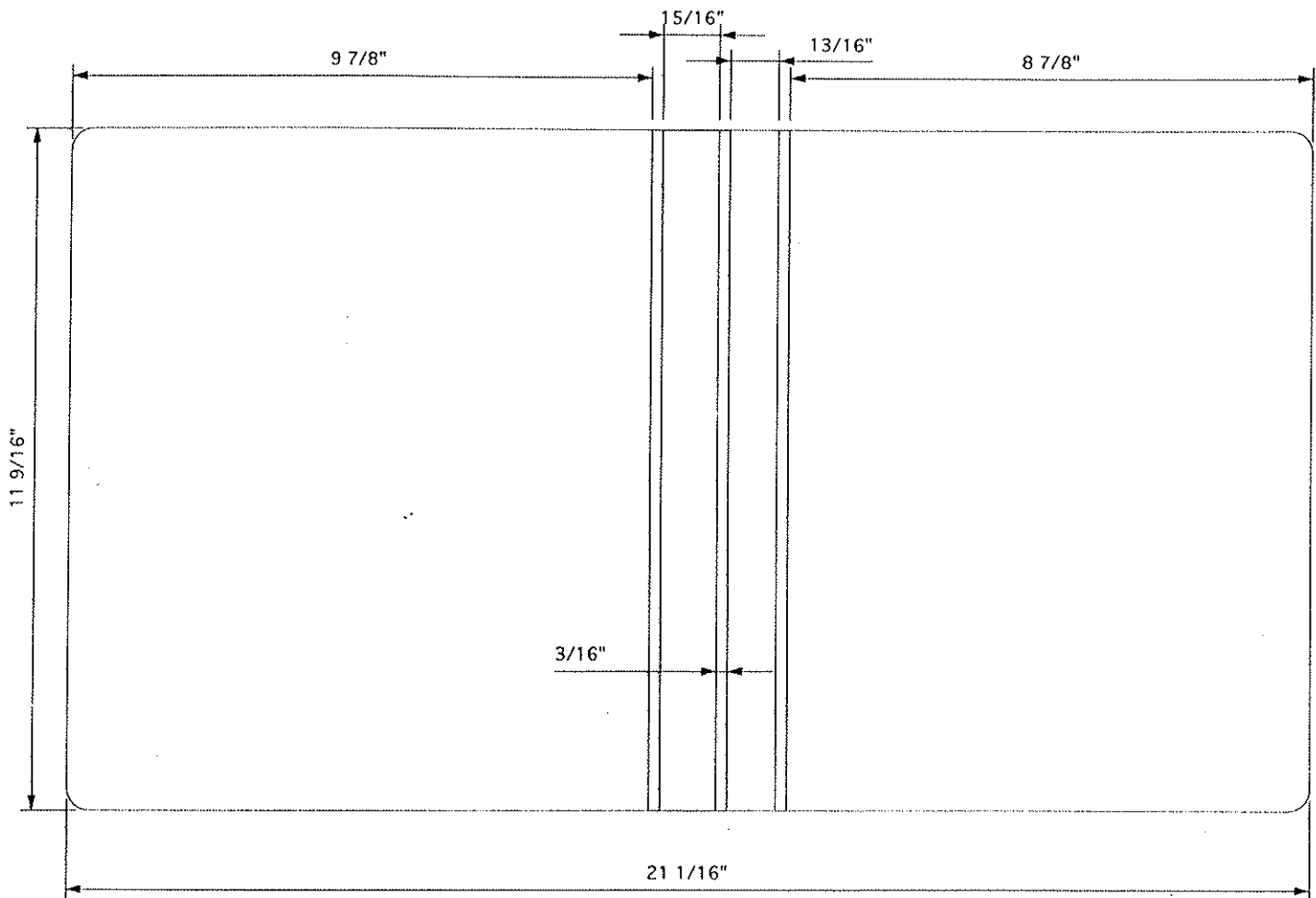
DIE #	6246	METAL	3" STR D (USRB)	RADIUS	3/8"
ORDER #	987152	CUSTOMER	PITNEY BOWES	TEAR SEAL	.014
SHEET SIZE	11 X 9	STYLE CASE	VINYL RING BINDER	BAR SEAL	253
CAP.	3"	DUE DATE	5-22-97	COMPLETED	
LOCATION	H-4-5	QUANTITY	2500	DATE	5-13-97



MATERIAL SPECS		GAUGE		MATERIAL SPECS		GAUGE P	
COVER MAT.	12 5/16 X 29		1	LINING MAT.	12 5/16 X 29		1
COVER MAT.				LINING MAT.			
DIE CUT				HORZ. PKT.	4 7/8 X 29		1
COL	11 11/16 X 16 3/4		1	VERT. PKT.			
LABEL HOLDER				DIE CUT			
GUSSET				REINF.			

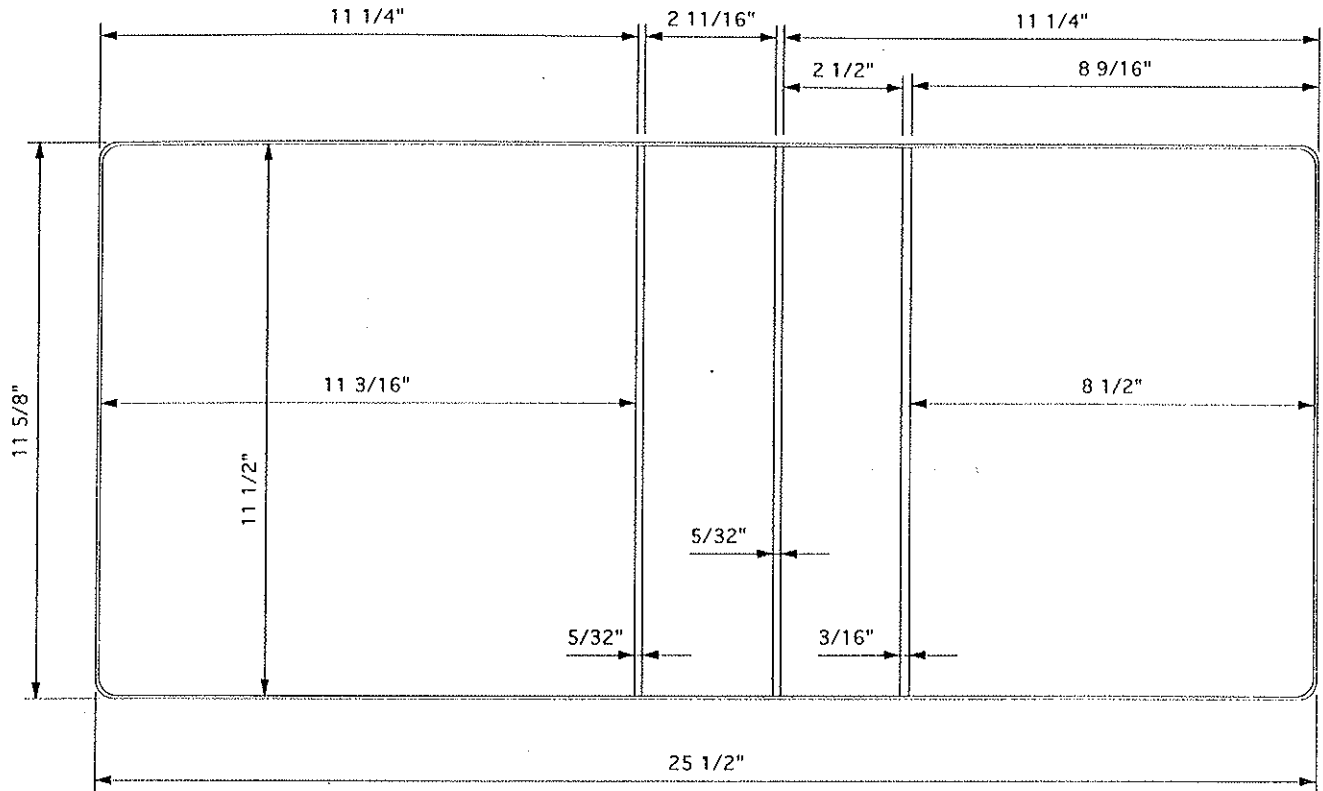
BOARD SPECS		GAUGE		BOARD SPECS		GAUGE P	
F.C. BOARD	11 3/8 X 11 7/8	120	1	F.C. BOARD			
B.B. BOARD	11 3/8 X 3 29/32	120	1	B.B. BOARD			
B.C. BOARD	11 3/8 X 11 7/8	120	1	B.C. BOARD			
FLAP BD.				DIE CUT			
BOARD				DIE CUT			

DIE #	6268	METAL	LOC	RADIUS	3/8"
ORDER #	987446	CUSTOMER	BARBER	TEAR SEAL	NAT. EDGE
SHEET SIZE	11 X 9	STYLE CASE	VINYL RING BINDER	BAR SEAL	48-5
CAP.	1/2"	DUE DATE	6-20-97	COMPLETED	
LOCATION	H-3-5	QUANTITY	500	DATE	6-17-97



MATERIAL SPECS		GAUGE		PCS.		MATERIAL SPECS		GAUGE		PCS.	
COVER MAT.	12 5/16 X 12 5/8			1		LINING MAT.	12 5/16 12 5/8			1	
COVER MAT.	12 5/16 X 9 1/2	30 ga.		1		LINING MAT.					
DIE CUT						HORZ. PKT.					
COL						VERT. PKT.					
LABEL HOLDER						DIE CUT					
GUSSET						REINF.					
BOARD SPECS		GAUGE		PCS.		BOARD SPECS		GAUGE		PCS.	
F.C. BOARD	11 7/16 x 23/32	100		1		F.C. BOARD					
B.B. BOARD	11 7/16 x 27/32	100		1		B.B. BOARD					
B.C. BOARD	11 7/16 x 9 3/4	100		1		B.C. BOARD					
FLAP BD.						DIE CUT					
BOARD						DIE CUT					

DIE #	6279	METAL	HOC	RADIUS	3/8"
ORDER #	987616	CUSTOMER	O D RESOURCES	TEAR SEAL	.014
SHEET SIZE	11 X 9	STYLE CASE	VRB W/CLEAR FRONT	BAR SEAL	254-178
CAP.	2"	DUE DATE	7-21-97	COMPLETED	
LOCATION	H-2-5	QUANTITY	200	DATE	7-9-97

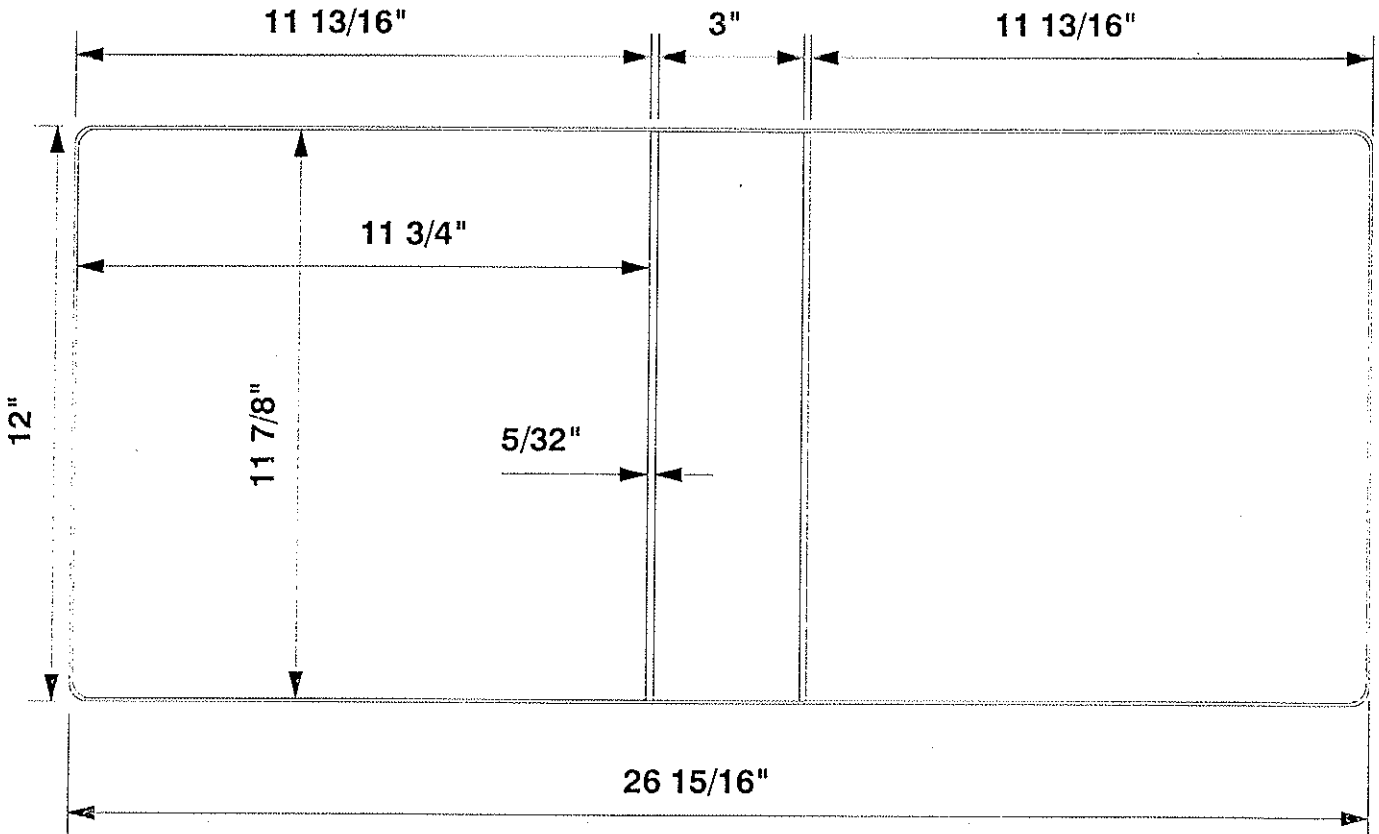


MATERIAL SPECS		GAUGE		PCS.		MATERIAL SPECS		GAUGE		PCS.	
COVER MAT.	12 3/8 X 17 3/8			1		LINING MAT.	12 3/8 X 17 3/8			1	
COVER MAT.	12 3/8 X 9 1/8	.014 GA		1		LINING MAT.					
DIE CUT						HORZ. PKT.					
COL						VERT. PKT.					
LABEL HOLDER						DIE CUT					
GUSSET						REINF.					

BOARD SPECS		GAUGE		PCS.		BOARD SPECS		GAUGE		PCS.	
F.C. BOARD	11 7/16 X 2 13/32	100		1		F.C. BOARD					
B.B. BOARD	11 7/16 X 2 19/32	100		1		B.B. BOARD					
B.C. BOARD	11 7/16 X 11 1/8	100		1		B.C. BOARD					
FLAP BD.						DIE CUT					
BOARD						DIE CUT					

Per Customer Specs

DIE #	6286	CAP.	2	METAL	2" HOC
STYLE CASE	VINYL RING BINDER			LOCATION	H-2-3
SHEET SIZE	11 X 8 1/2		ORDER #	987584	
CUSTOMER	PAN AMERICAN LIFE INS.			DUE DATE	7-21-97
QUANTITY	500	RADIUS	3/8	TEAR SEAL	.014
DATE	7-14-97	COMPLETED		BAR SEAL	48-4

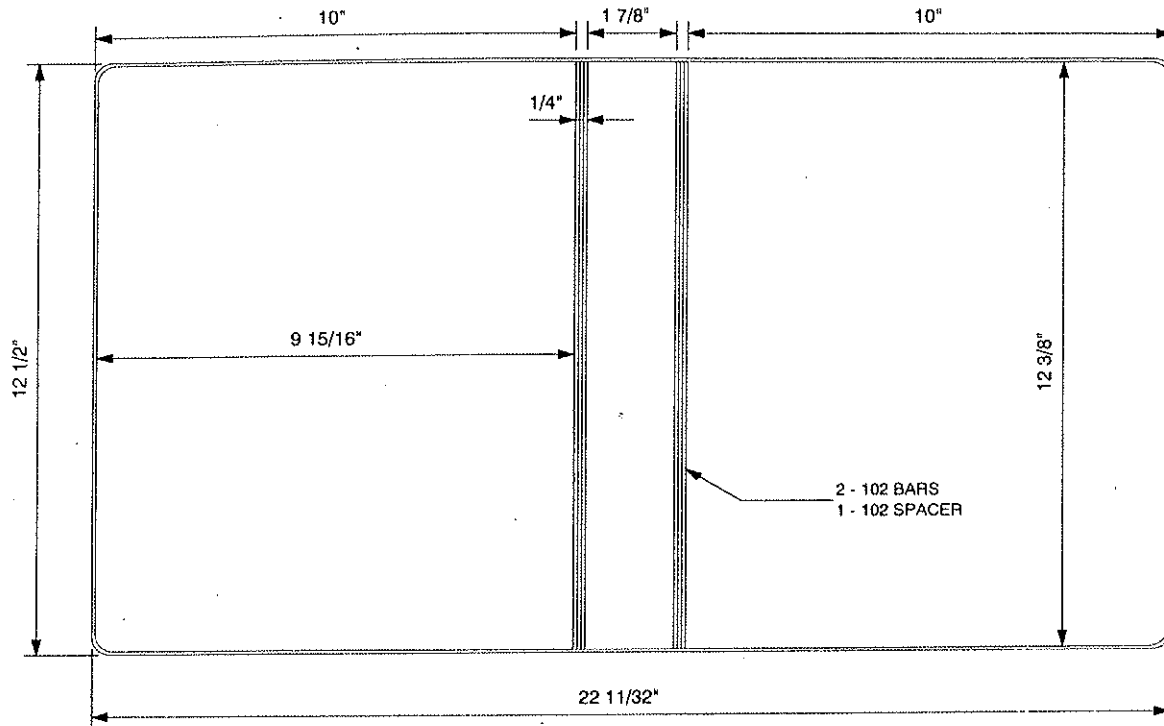


USE WITH DIES 5675 B.C.D+E

MATERIAL SPECS		GA		PCS	
COVER MAT.	12 3/4 X 27 3/4	1		LINING MAT	12 3/4 X 27 3/4
COVER MAT.				LINING MAT	
VERT PKT				HORZ PKT	
CARD HOLDER				GUSSET	
COL				DIAGONAL PKT	
LABEL HOLDER				REINF	

BOARD SPECS		GA		PCS	
F.C. BOARD	11 25/32 X 11 21/32	120	1	F.C. BOARD	
B.B. BOARD	11 25/32 X 2 29/32	120	1	B.B. BOARD	
B.C. BOARD	11 25/32 X 11 21/32	120	1	B.C. BOARD	
B.U. STRIP					

DIE #	6318	METAL	NONE	RADIUS	3/8"
ORDER #	987806	CUSTOMER	EDUCATIONAL REVIEW	TEAR SEAL	.014
SHEET SIZE	11 X 8.5	STYLE CASE	COL CASSETTE BINDER	BAR SEAL	102
CAP.		DUE DATE	9-23-97	COMPLETED	
LOCATION	1-3-9	QUANTITY	10,000	DATE	9-8-97

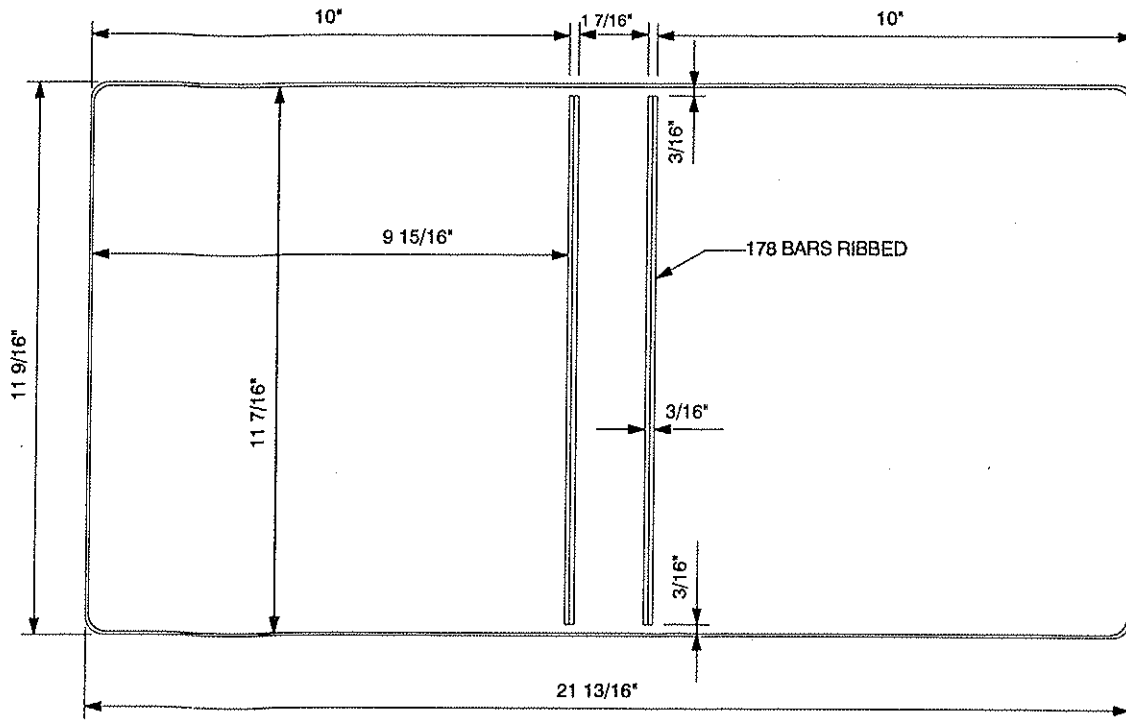


COL INSERT SIZE:
FC - 12 1/8 X 9 11/16
BB - 12 1/8 X 1 5/8

MATERIAL SPECS		GAUGE		MATERIAL SPECS		GAUGE	
COVER MAT.	13 1/4 X 23 1/8		1	LINING MAT.	13 1/4 X 23 1/8		1
COVER MAT.				LINING MAT.			
DIE CUT				HORZ. PKT.			
COL	12 11/16 X 13 1/8		1	VERT. PKT.			
LABEL HOLDER				DIE CUT			
GUSSET				REINF.			

BOARD SPECS		GAUGE		BOARD SPECS		GAUGE	
F.C. BOARD	12 5/16 X 9 7/8	100	1	F.C. BOARD			
B.B. BOARD	12 5/16 X 1 3/4	100	1	B.B. BOARD			
B.C. BOARD	12 5/16 X 9 7/8	100	1	B.C. BOARD			
FLAP BD.				DIE CUT			
BOARD				DIE CUT			

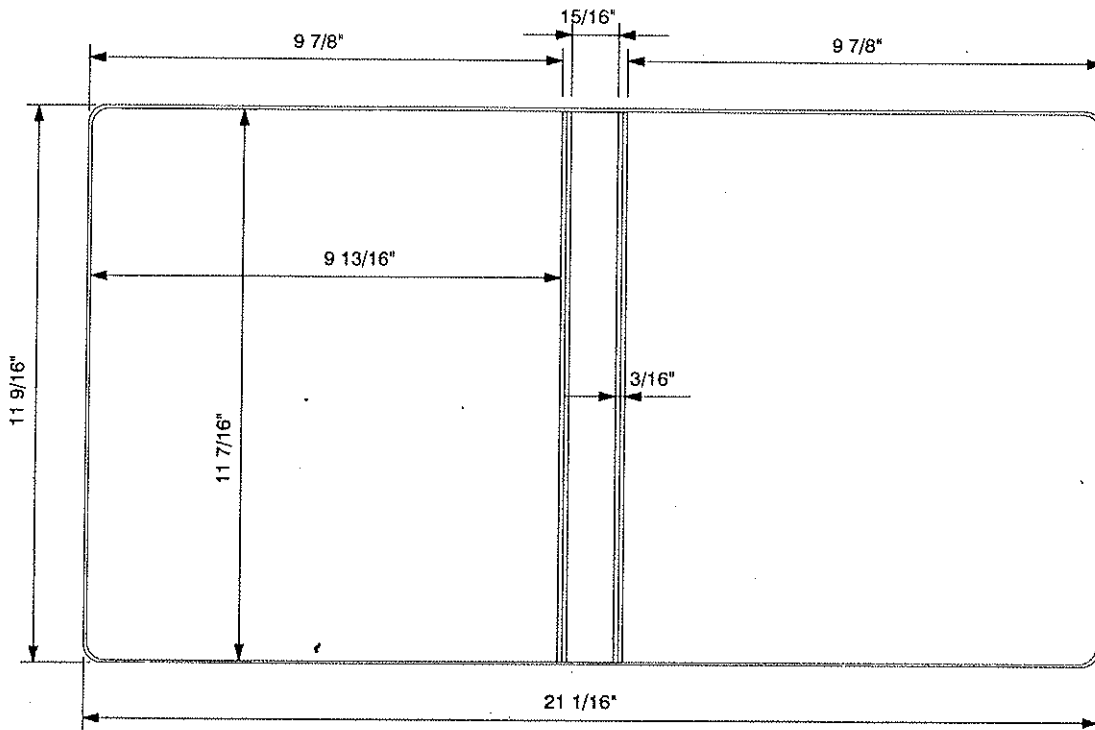
DIE #	6366	METAL	LOC	RADIUS	3/8"
ORDER #		CUSTOMER		TEAR SEAL	.016
SHEET SIZE	11 X 9	STYLE CASE	RIGID VINYL BINDER	BAR SEAL	178
CAP.	1"	DUE DATE	11-6-97	COMPLETED	
LOCATION	I-1-6	QUANTITY		DATE	11-4-97



MATERIAL SPECS		GAUGE		MATERIAL SPECS		GAUGE	
COVER MAT.	12 1/4 X 22 1/2		1	LINING MAT.			
COVER MAT.				LINING MAT.			
DIE CUT				HORZ. PKT.	4 7/8 X 22 1/2		1
COL	11 3/4 X 22 1/2		1	VERT. PKT.			
LABEL HOLDER				DIE CUT			
GUSSET				REINF.			

BOARD SPECS		GAUGE		BOARD SPECS		GAUGE	
F.C. BOARD				F.C. BOARD			
B.B. BOARD				B.B. BOARD			
B.C. BOARD				B.C. BOARD			
FLAP BD.				DIE CUT			
BOARD				DIE CUT			

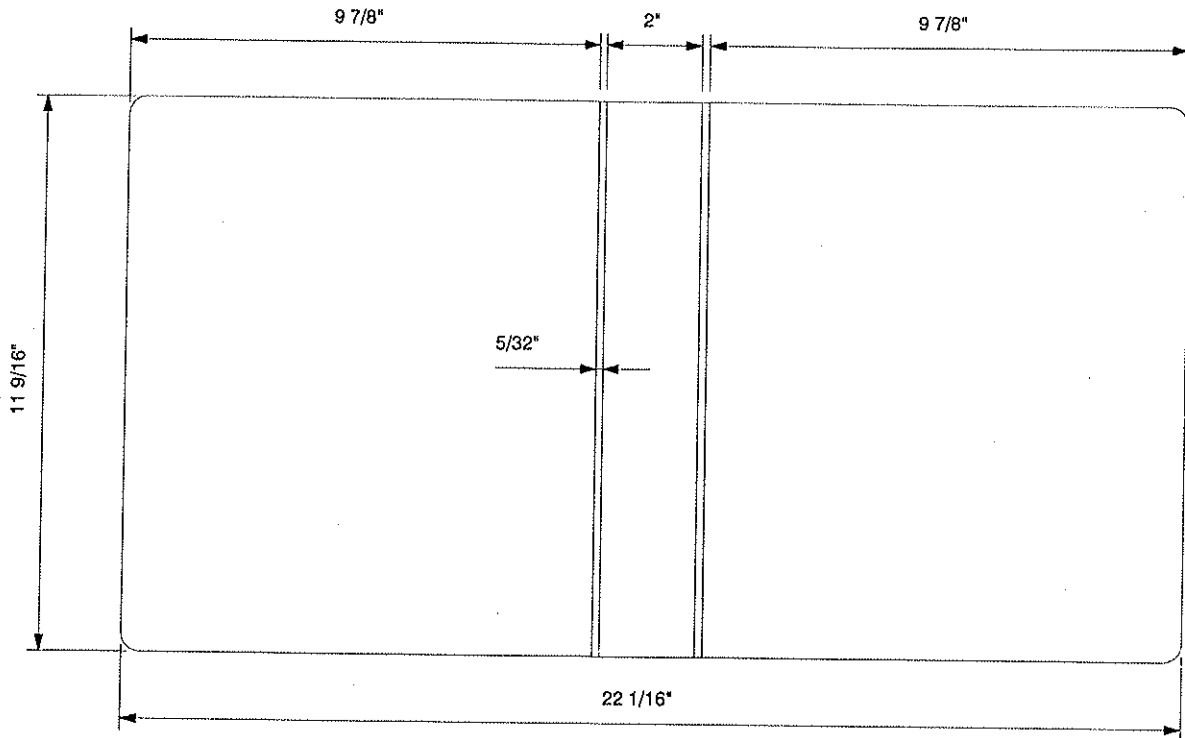
DIE #	6438	METAL	1/2" LOC	RADIUS	3/8"
ORDER #		CUSTOMER	VB & C	TEAR SEAL	.012
SHEET SIZE	11 X 9	STYLE CASE	VINYL BINDER	BAR SEAL	178
CAP.	1/2"	DUE DATE		COMPLETED	
LOCATION	G-9-9	QUANTITY		DATE	2-19-98



MATERIAL SPECS		GAUGE		MATERIAL SPECS		GAUGE	
COVER MAT.	12 5/16 X 21 13/16		1	LINING MAT.			
COVER MAT.				LINING MAT.			
DIE CUT				HORZ. PKT.			
COL	11 11/16 X 21 13/16		1	VERT. PKT.			
LABEL HOLDER				DIE CUT			
GUSSET				REINF.			

BOARD SPECS		GAUGE		BOARD SPECS		GAUGE	
F.C. BOARD				F.C. BOARD			
B.B. BOARD				B.B. BOARD			
B.C. BOARD				B.C. BOARD			
FLAP BD.				DIE CUT			
BOARD				DIE CUT			

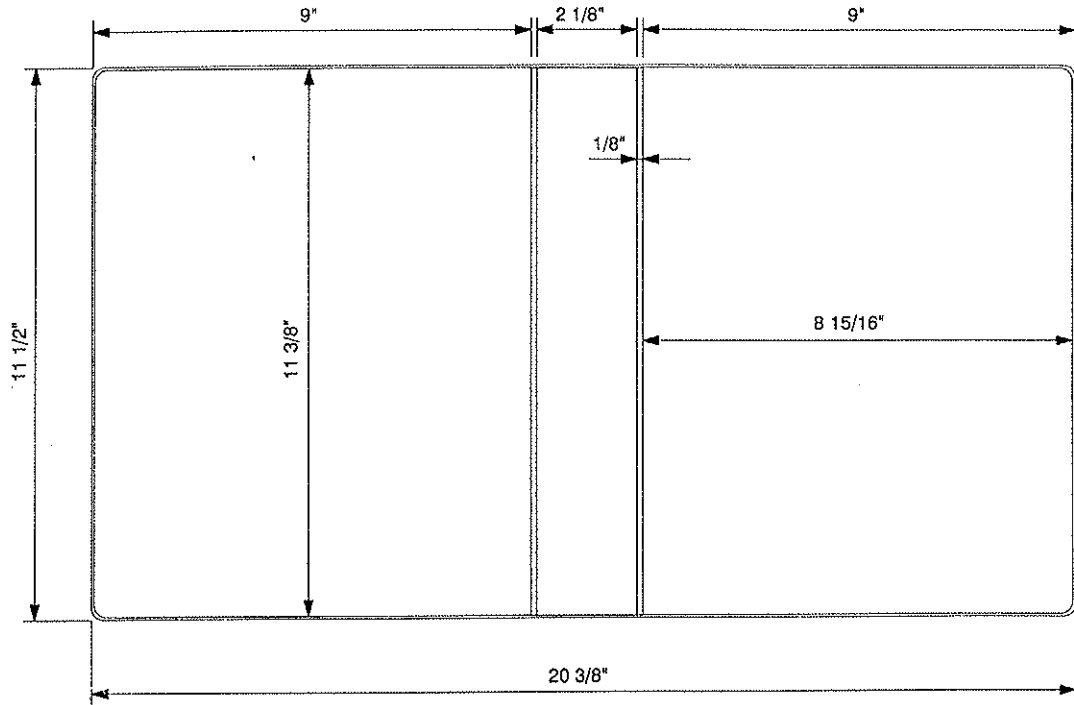
DIE #	6474	METAL	NONE	RADIUS	5/16"
ORDER #	989686	CUSTOMER	PEPPERTREE	TEAR SEAL	NAT EDG
SHEET SIZE	11 X 8 1/2	STYLE CASE	4345 W/2" SPINE	BAR SEAL	48-4
CAP.	2" OA	DUE DATE	4-22-98	COMPLETED	
LOCATION		QUANTITY	5000	DATE	4-22-98



MATERIAL SPECS		GAUGE		MATERIAL SPECS		GAUGE	
COVER MAT.	12 9/16 X 23 1/8		1	LINING MAT.	12 3/8 X 22 7/8		1
COVER MAT.				LINING MAT.			
DIE CUT				HORZ. PKT.			
COL				VERT. PKT.			
LABEL HOLDER				DIE CUT			
GUSSET				REINF.			

BOARD SPECS		GAUGE		BOARD SPECS		GAUGE	
F.C. BOARD	11 3/8 X 9 3/4	120	1	F.C. BOARD			
B.B. BOARD	11 3/8 X 1 7/8	120	1	B.B. BOARD			
B.C. BOARD	11 3/8 X 9 3/4	120	1	B.C. BOARD			
FLAP BD.				DIE CUT			
BOARD				DIE CUT			

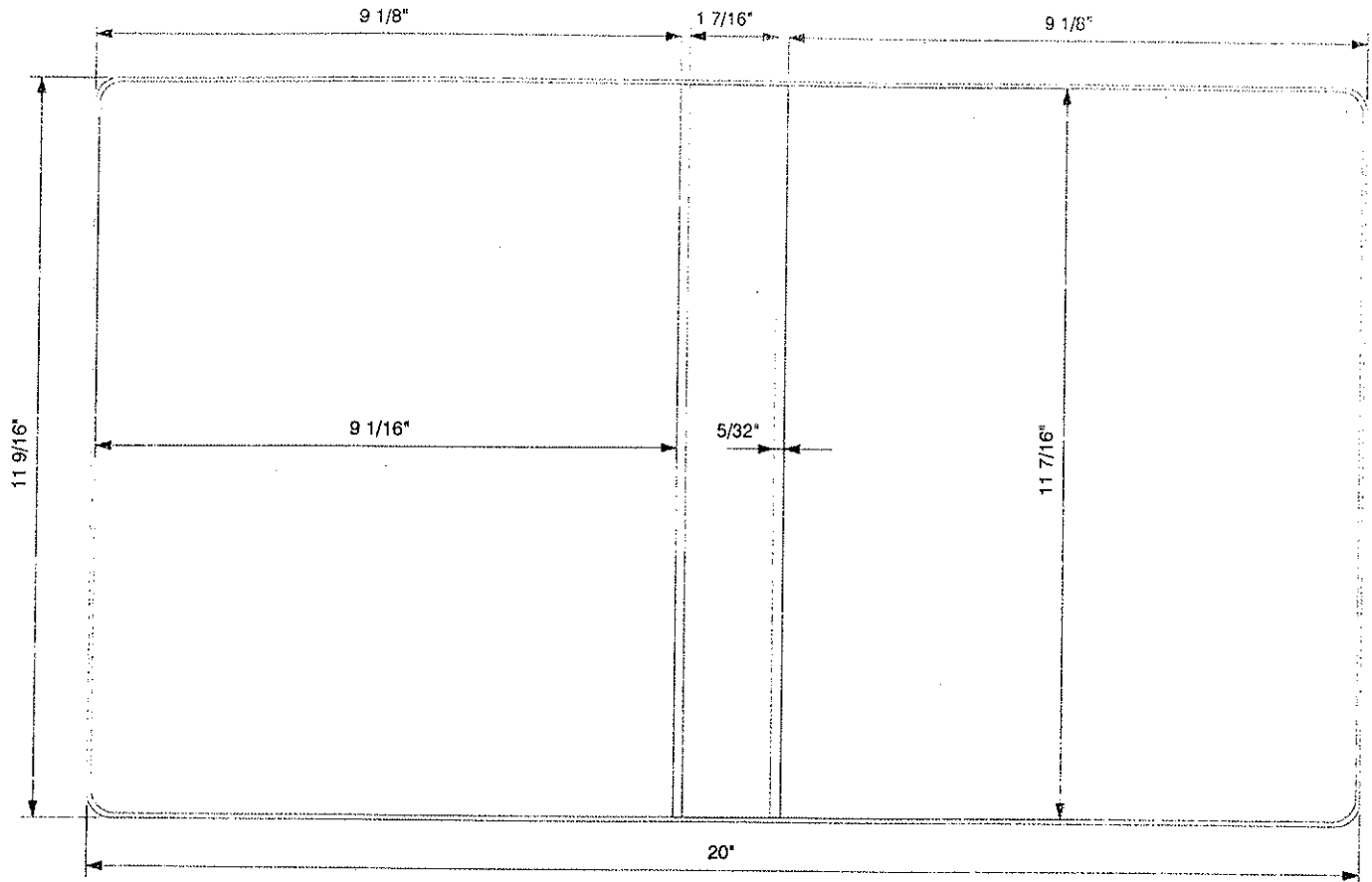
DIE #	6555-A	METAL	1" & 3/4" SCREW POST	RADIUS	3/8"
ORDER #	153488	CUSTOMER	D.M. POWELL	TEAR SEAL	.014
SHEET SIZE	11 X 8 1/2	STYLE CASE	VINYL SCREW POST BINDER	BAR SEAL	253
CAP.	1" & 3/4"	DUE DATE	8-27-98	COMPLETED	
LOCATION		QUANTITY	50	DATE	8-19-98



6555-B RIVETS INTO FRONT COVER
6555-C RIVETS INTO BACK COVER

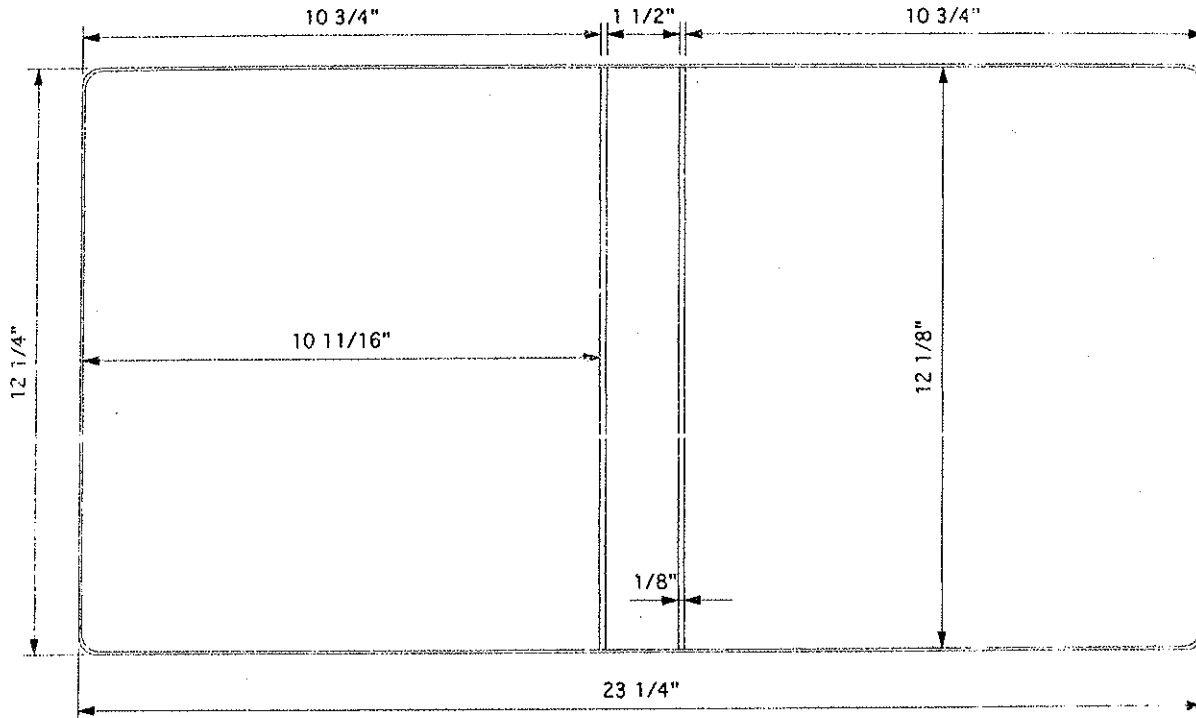
MATERIAL SPECS		GAUGE	PCS.	MATERIAL SPECS		GAUGE	PCS.				
COVER MAT.	12 1/2 X 21 3/8		1	LINING MAT.	12 1/4 X 21 1/8		1				
COVER MAT.				LINING MAT.							
DIE CUT				HORZ. PKT.							
COL				VERT. PKT.							
LABEL HOLDER				DIE CUT							
GUSSET				REINF.							
BOARD SPECS		5/16" R. CORNERS		GAUGE	PCS.	BOARD SPECS		5/16" R. CORNERS		GAUGE	PCS.
F.C. BOARD	SEE DIE 6555-D					F.C. BOARD					
B.B. BOARD						B.B. BOARD					
B.C. BOARD						B.C. BOARD					
FLAP BD.						DIE CUT					
BOARD						DIE CUT					

DIE #	6705	METAL	MEMO	RADIUS	3/8"
ORDER #	237534	CUSTOMER	A.S.HOSPITALITY	TEAR SEAL	.012
SHEET SIZE	11 X 8	STYLE CASE	VINYL RING BINDER	BAR SEAL	48-5
CAP.	1"	DUE DATE	5-12-99	COMPLETED	
LOCATION	I-12-9	QUANTITY	1	DATE	5-10-99



MATERIAL SPECS		GAUGE	PCS.	MATERIAL SPECS		GAUGE	PCS.
COVER MAT.	12 5/16 X 20 3/4		1	LINING MAT.	12 5/16 X 20 3/4		1
COVER MAT.				LINING MAT.			
DIE CUT				HORZ. PKT.			
COL				VERT. PKT.			
LABEL HOLDER				DIE CUT			
GUSSET				REINF.			
BOARD SPECS		GAUGE	PCS.	BOARD SPECS		GAUGE	PCS.
F.C. BOARD	11 11/32 X 8 31/32	100	1	F.C. BOARD	5/16" R. CORNERS		
B.B. BOARD	11 3/8 X 1 11/32	100	1	B.B. BOARD			
B.C. BOARD	11 3/8 X 9	100	1	B.C. BOARD			
FLAP BD.				DIE CUT			
BOARD				DIE CUT			

DIE #	6757	METAL	LOC	RADIUS	3/8"
ORDER #	268015	CUSTOMER	LITHO INDUSTRIES	TEAR SEAL	.012
SHEET SIZE	11 X 9	STYLE CASE	VINYL COL BINDER	BAR SEAL	253
CAP.	1"	DUE DATE	9-7-99	COMPLETED	
LOCATION	H-9-2	QUANTITY	710	DATE	8-25-99



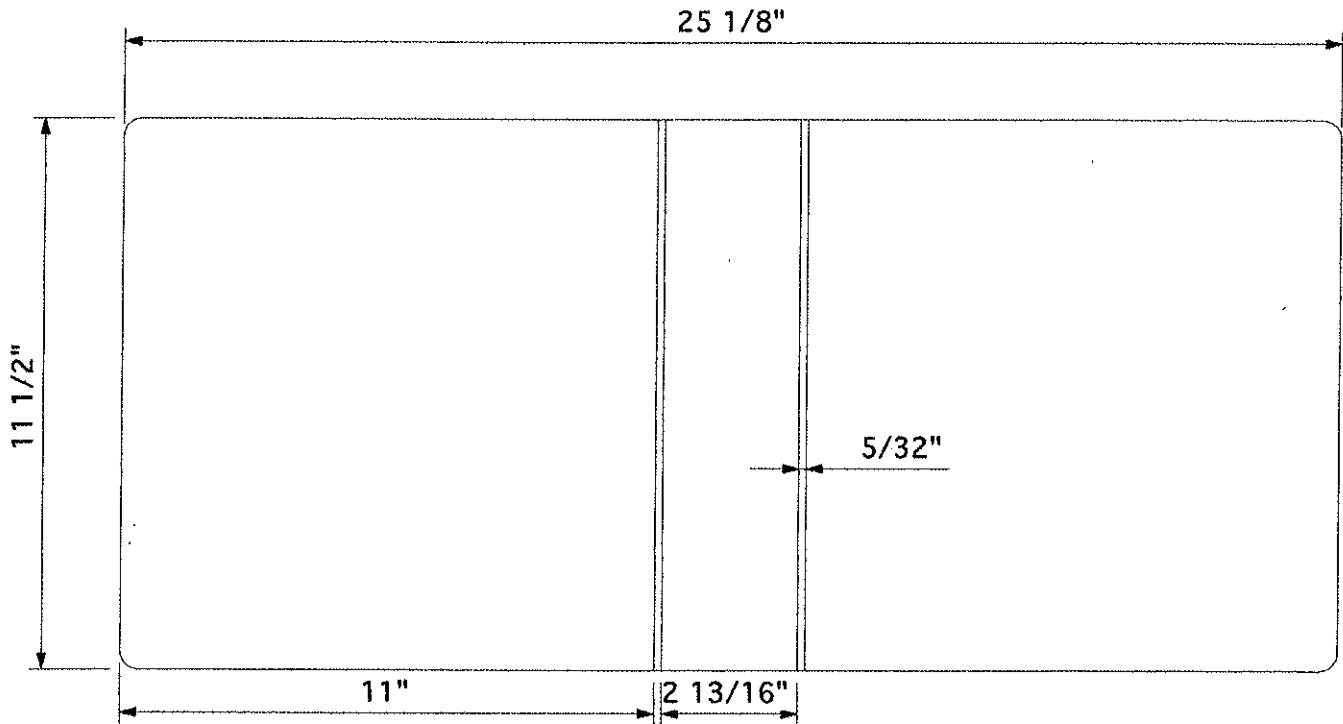
MATERIAL SPECS		GAUGE	PCS.	MATERIAL SPECS		GAUGE	PCS.
COVER MAT.	13 X 24		1	LINING MAT.	13 X 24		1
COVER MAT.				LINING MAT.			
DIE CUT				HORZ. PKT.	5 3/8 X 24		1
COL	12 3/8 X 24		1	VERT. PKT.			
LABEL HOLDER				DIE CUT			
GUSSET				REINF.			
BOARD SPECS	5/16" R. CORNERS	GAUGE	PCS.	BOARD SPECS	5/16" R. CORNERS	GAUGE	PCS.
F.C. BOARD	12 1/16 X 10 5/8	100	1	F.C. BOARD			
B.B. BOARD	12 1/16 X 1 13/32	100	1	B.B. BOARD			
B.C. BOARD	12 1/16 X 10 5/8	100	1	B.C. BOARD			
FLAP BD.				DIE CUT			
BOARD	12 1/32 X 1 3/8	22	1	DIE CUT			

Handwritten note: Padded Bd. - FC + BB - Die # 6757 B
15 x 13

To Replace 288489

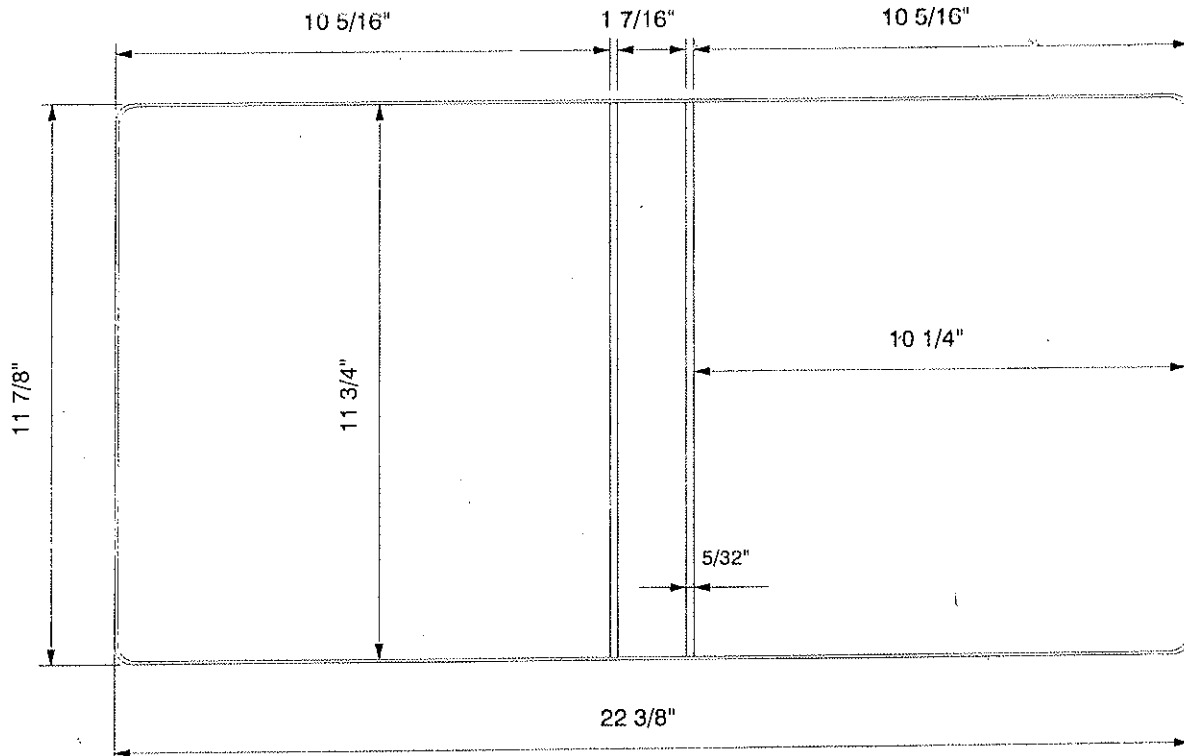
DIE #	6778-R	METAL	SLANT/RR	RADIUS	3/8"
ORDER #	278125	CUSTOMER		TEAR SEAL	BLIND
SHEET SIZE	11 X 9	STYLE CASE	VRB	BAR SEAL	EVERLIFE
CAP.	2"	DUE DATE		COMPLETED	
LOCATION		QUANTITY		DATE	10-4-99

IMAGE SOURCE STYLE DIE WITH 11" PANELS PER CUST.



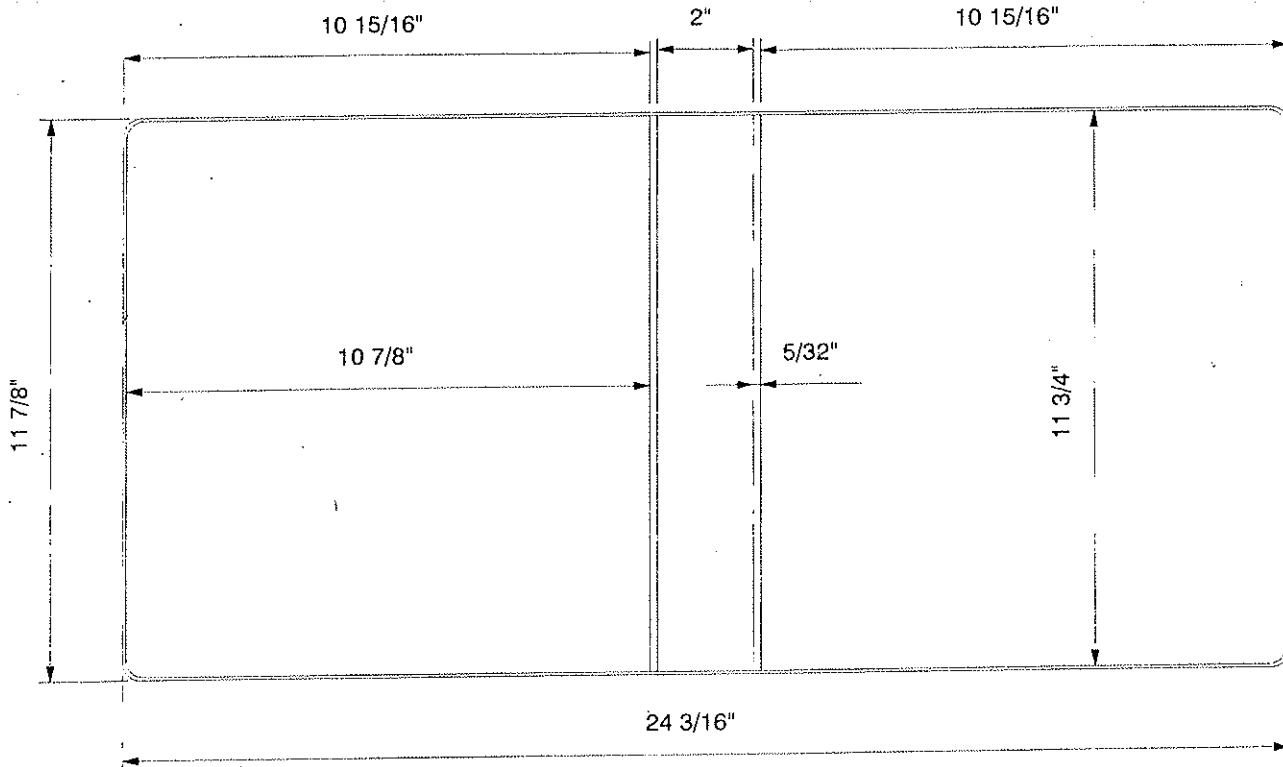
MATERIAL SPECS		GAUGE	PCS.	MATERIAL SPECS		GAUGE	PCS.
COVER MAT.	12 1/4 X 25 7/8		1	LINING MAT.	12 1/4 X 25 7/8		1
COVER MAT.				LINING MAT.			
DIE CUT				HORZ. PKT.			
COL				FULL HORZ	4 7/8 X 25 7/8		1
EX COL	11 5/8 X 14 3/4		1	DIE CUT			
EX COL NO TRIM	11 5/8 X 14 1/2		1	REINF.			
BOARD SPECS		GAUGE	PCS.	BOARD SPECS		GAUGE	PCS.
5/16" R. CORNERS				5/16" R. CORNERS			
F.C. BOARD	11 7/16 X 10 15/16		2	F.C. BOARD			
B.B. BOARD	11 7/16 X 2 23/32		1	B.B. BOARD			
B.C. BOARD				B.C. BOARD			
FLAP BD.				DIE CUT			
				DIE CUT			

DIE #	6906	METAL	19 RING METAL	RADIUS	3/8"
ORDER #	335804	CUSTOMER	NSC INTERNATIONAL	TEAR SEAL	.012
SHEET SIZE	11 X 9	STYLE CASE	VINYL RING BINDER	BAR SEAL	48-4
CAP.	1 1/8"	DUE DATE	5-16-00	COMPLETED	
LOCATION		QUANTITY	100	DATE	5-4-00



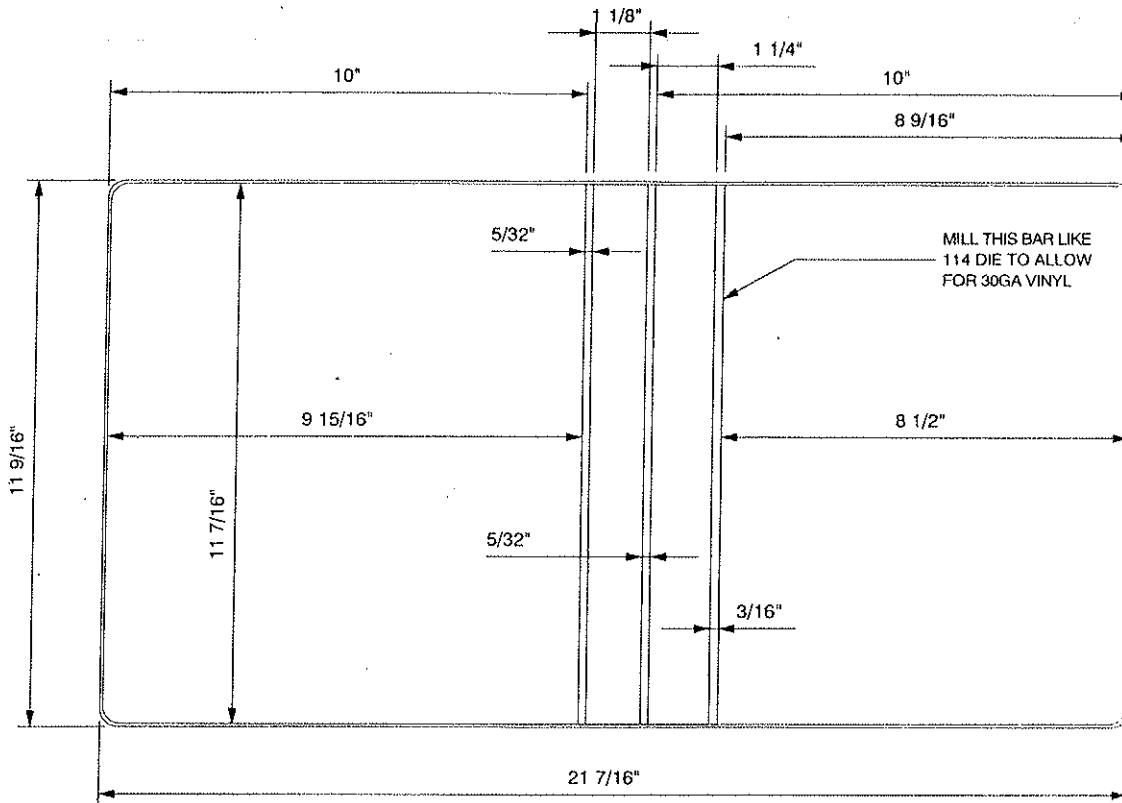
MATERIAL SPECS		GAUGE	PCS.	MATERIAL SPECS		GAUGE	PCS.
COVER MAT.	12 5/8 X 23 1/8		1	LINING MAT.	12 5/8 X 23 1/8		1
COVER MAT.				LINING MAT.			
DIE CUT				HORZ. PKT.			
COL	12 X 12 3/4		1	VERT. PKT.			
LABEL HOLDER				DIE CUT			
GUSSET				REINF.			
BOARD SPECS	5/16" R. CORNERS	GAUGE	PCS.	BOARD SPECS	5/16" R. CORNERS	GAUGE	PCS.
F.C. BOARD	11 11/16 X 10 3/16	100	1	F.C. BOARD			
B.B. BOARD	11 11/16 X 1 11/32	100	1	B.B. BOARD			
B.C. BOARD	11 11/16 X 10 3/16	100	1	B.C. BOARD			
FLAP BD.				DIE CUT			
BOARD				DIE CUT			

E #	6907	METAL	19 RING METAL	RADIUS	3/8"
ORDER #	335812	CUSTOMER	NSC INTERNATIONAL	TEAR SEAL	.012
SHEET SIZE	11 X 9	STYLE CASE	VINYL RING BINDER	BAR SEAL	48-4
AP.	1 5/8"	DUE DATE	5-16-00	COMPLETED	
LOCATION		QUANTITY	100	DATE	5-4-00



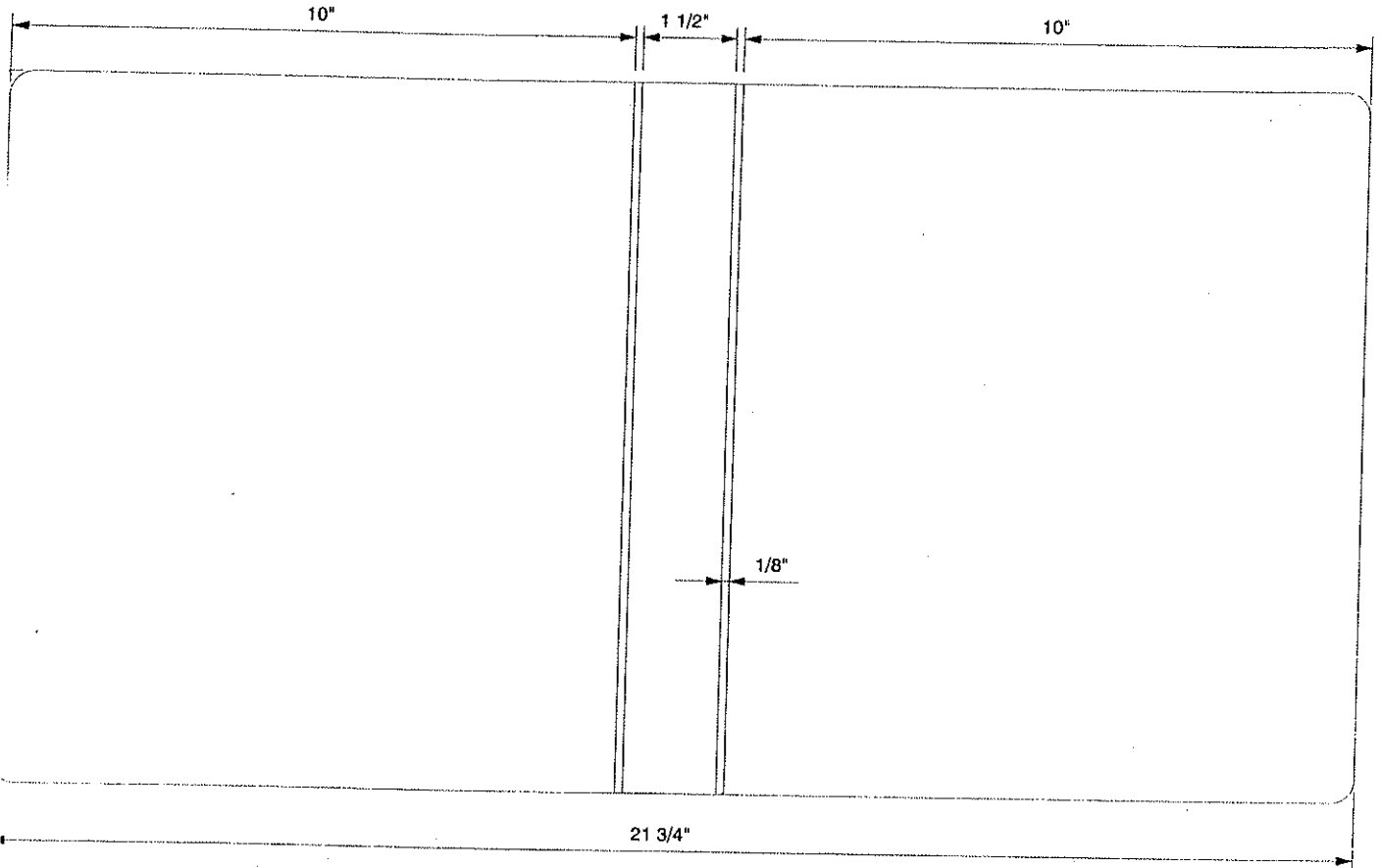
MATERIAL SPECS	GAUGE	PCS.	MATERIAL SPECS	GAUGE	PCS.
COVER MAT.			LINING MAT.		
12 5/8 X 25		1	12 5/8 X 25		1
COVER MAT.			LINING MAT.		
DIE CUT			HORZ. PKT.		
ROLL			VERT. PKT.		
12 X 14		1	DIE CUT		
LABEL HOLDER			REINF.		
MUSSET					
BOARD SPECS	GAUGE	PCS.	BOARD SPECS	GAUGE	PCS.
5.16" R. CORNERS			5.16" R. CORNERS		
F.C. BOARD		100	F.C. BOARD		100
11 11/16 X 10 13/16		1	B.B. BOARD		1
B.B. BOARD		100	B.C. BOARD		100
11 11/16 X 1 29/32		1			
B.C. BOARD		100			
11 11/16 X 10 13/16		1			
FLAP BD.			DIE CUT		
BOARD			DIE CUT		

DIE #	6958	METAL	IOC	RADIUS	3/8"
ORDER #	358467	CUSTOMER	WHITEHALL ROBINS	TEAR SEAL	.014
SHEET SIZE	11 X 9	STYLE CASE	VRB W/CLEAR FRONT	BAR SEAL	254-178
CAP.	3/4"	DUE DATE	8-17-00	COMPLETED	
LOCATION		QUANTITY	1500	DATE	8-1-00



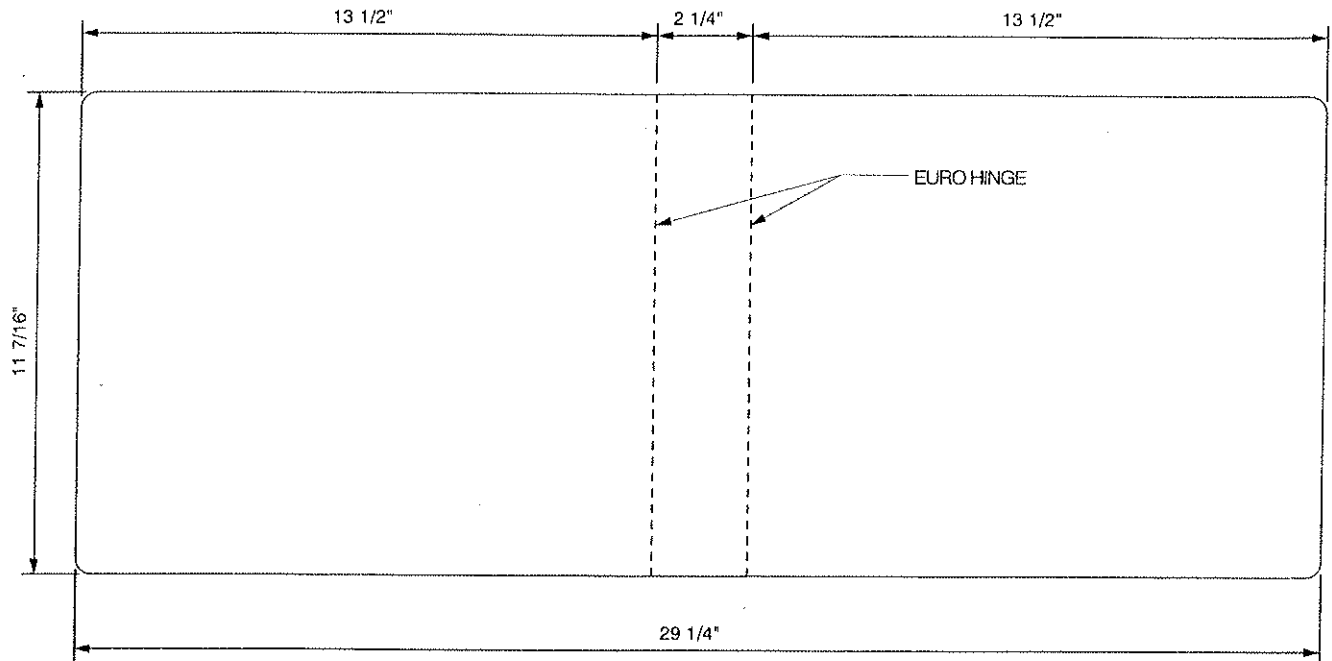
MATERIAL SPECS	GAUGE	PCS.	MATERIAL SPECS	GAUGE	PCS.
COVER MAT.	12 5/16 X	13 1/4	1 LINING MAT.	12 5/16 X	13 1/4
COVER MAT.	12 5/16 X	9 1/8	30 GA 1 LINING MAT.		
DIE CUT			HORZ. PKT.		
COL			VERT. PKT.		
LABEL HOLDER			DIE CUT		
MUSSET			REINF.		
BOARD SPECS	GAUGE	PCS.	BOARD SPECS	GAUGE	PCS.
F.C. BOARD	11 3/8 X	1 5/32	100 1 F.C. BOARD		
B.B. BOARD	11 3/8 X	1 1/32	100 1 B.B. BOARD		
B.C. BOARD	11 3/8 X	9 7/8	100 1 B.C. BOARD		
FLAP BD.			DIE CUT		
BOARD			DIE CUT		

#: #	7213	METAL	LIGHT DUTY RR	RADIUS	3/8"
DER #	476308	CUSTOMER	NSC INTERNATIONAL	TEAR SEAL	BLIND
EET SIZE	11 X 9	STYLE CASE	VINYL BINDER (MATCHED SAMPLE)	BAR SEAL	254
P.	1 1/4"	DUE DATE	2-4-02	COMPLETED	
CATION		QUANTITY	100	DATE	1-30-02



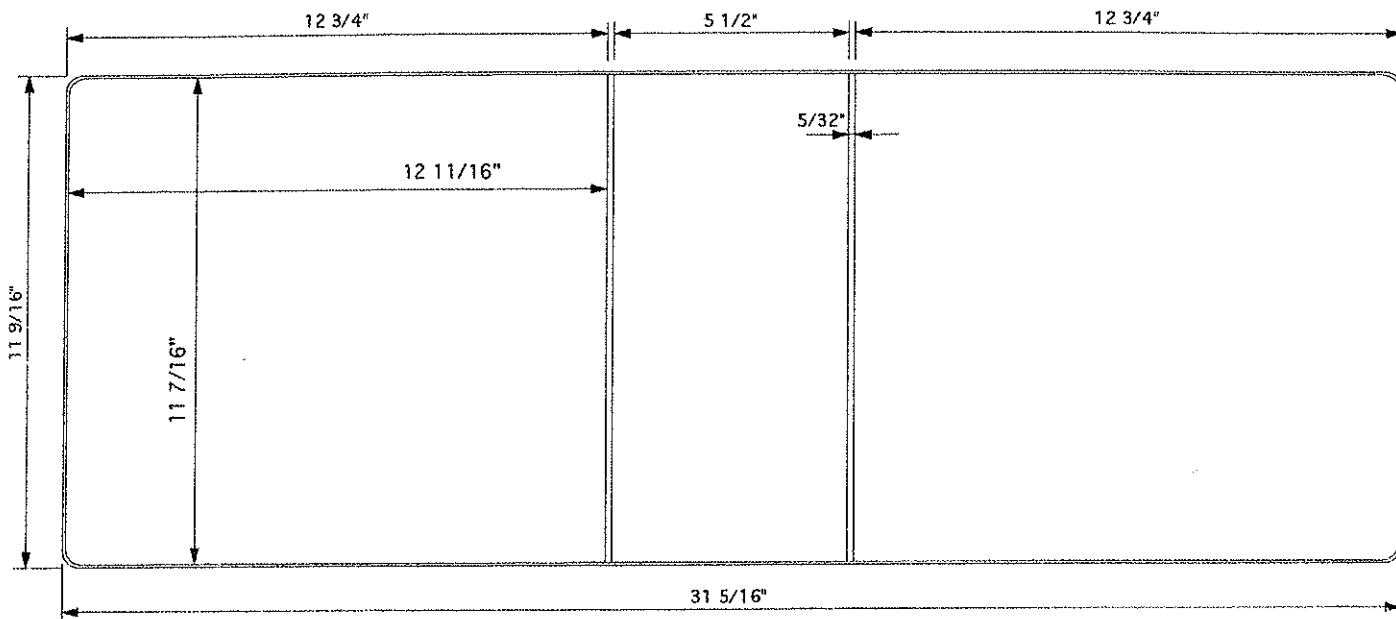
SERIAL SPECS		GAUGE	PCS.	MATERIAL SPECS		GAUGE	PCS.
FR MAT.	12 1/4 X 22 1/2		1	LINING MAT.	12 1/4 X 22 1/2		1
FR MAT.				LINING MAT.			
CUT				HORZ. PKT.			
				VERT. PKT.			
PL HOLDER	6 1/8 X 2 1/2		1	DIE CUT			
NET				REINF.			
BOARD SPECS		GAUGE	PCS.	BOARD SPECS		GAUGE	PCS.
BOARD	11 13/32 X 9 29/32	100	1	F.C. BOARD			
BOARD	11 13/32 X 1 13/32	100	1	B.B. BOARD			
BOARD	11 13/32 X 9 29/32	100	1	B.C. BOARD			
BD.	****PADDED****			DIE CUT			
BD				DIE CUT			

DIE #	7225	METAL	ANGLE D	RADIUS	3/8"
ORDER #	481027	CUSTOMER	KOLHER CO.	TEAR SEAL	BLIND
SHEET SIZE	11 X 9	STYLE CASE	VINYL BINDER W/EURO HINGE	BAR SEAL	NONE
CAP.	1 1/2"	DUE DATE	3-1-02	COMPLETED	
LOCATION		QUANTITY	10	DATE	2-26-02



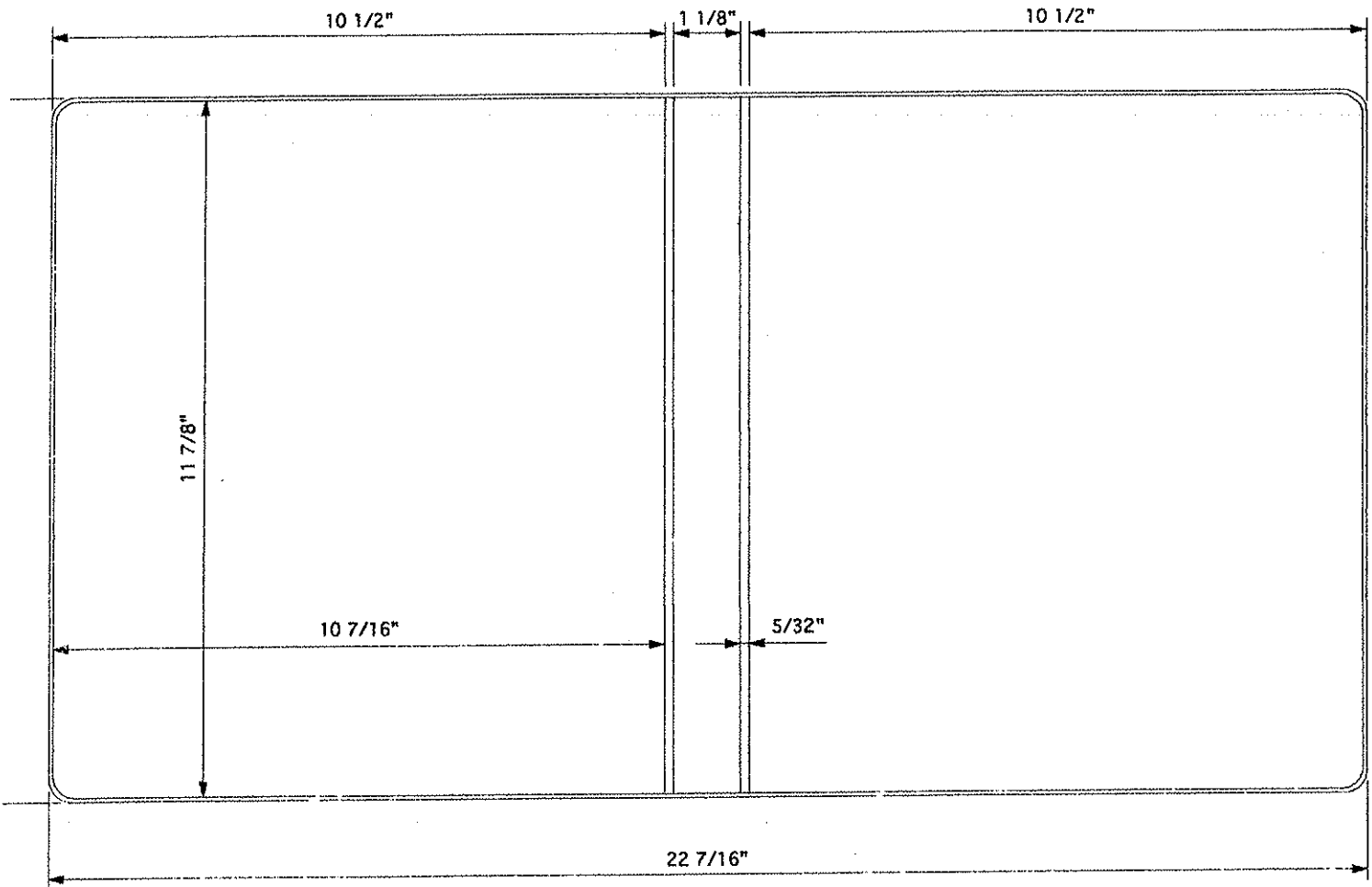
MATERIAL SPECS		GAUGE	PCS.	MATERIAL SPECS		GAUGE	PCS.
COVER MAT.	12 5/16 X 30		1	LINING MAT.	12 5/16 X 30		1
COVER MAT.				LINING MAT.			
DIE CUT				HORZ. PKT.			
COL				VERT. PKT.			
LABEL HOLDER				DIE CUT			
GUSSET				REINF.			
BOARD SPECS		GAUGE	PCS.	BOARD SPECS		GAUGE	PCS.
5/16" R. CORNERS				5/16" R. CORNERS			
F.C. BOARD				F.C. BOARD			
B.B. BOARD				B.B. BOARD			
B.C. BOARD				B.C. BOARD			
FLAP BD.				DIE CUT			
BOARD	29 3/16 X 11 3/8		125	DIE CUT			

E #	7271	METAL	ANGLE D	RADIUS	3/8"
ORDER #	499972	CUSTOMER	NSC	TEAR SEAL	.012
HEET SIZE	11 X 9	STYLE CASE	VRB	BAR SEAL	48-4
AP.	4 1/2"	DUE DATE	6-21-02	COMPLETED	
LOCATION		QUANTITY	48	DATE	6-18-02



MATERIAL SPECS		GAUGE	PCS.	MATERIAL SPECS		GAUGE	PCS.				
OVER MAT.	12 1/4 X 32 1/16		1	LINING MAT.	12 1/4 X 32 1/16		1				
OVER MAT.				LINING MAT.							
DIE CUT				HORIZ. PKT.	4 7/8 X 32 1/16		1				
DRILL	11 11/16 X 32 1/16		1	VERT. PKT.							
LABEL HOLDER				DIE CUT							
WASHER				REINF.							
BOARD SPECS		5/16" R. CORNERS		GAUGE	PCS.	BOARD SPECS		5/16" R. CORNERS		GAUGE	PCS.
A.C. BOARD	11 3/8 X 12 5/8	100	1	F.C. BOARD							
B.B. BOARD	11 3/8 X 5 13/32	100	1	B.B. BOARD							
C.C. BOARD	11 3/8 X 12 5/8	100	1	B.C. BOARD							
LAP BD.				DIE CUT							
BOARD	11 3/8 X 12 5/8	35	1	DIE CUT							

DIE #	7337	METAL	LOC	RADIUS	3/8"
ORDER #	522255	CUSTOMER	HART GRAPHICS	TEAR SEAL	.016
SHEET SIZE	11 X 9 1/2	STYLE CASE	VINYL BINDER	BAR SEAL	48-4
CAP.	3/4"	DUE DATE	11-6-02	COMPLETED	
LOCATION		QUANTITY	100	DATE	10-24-02

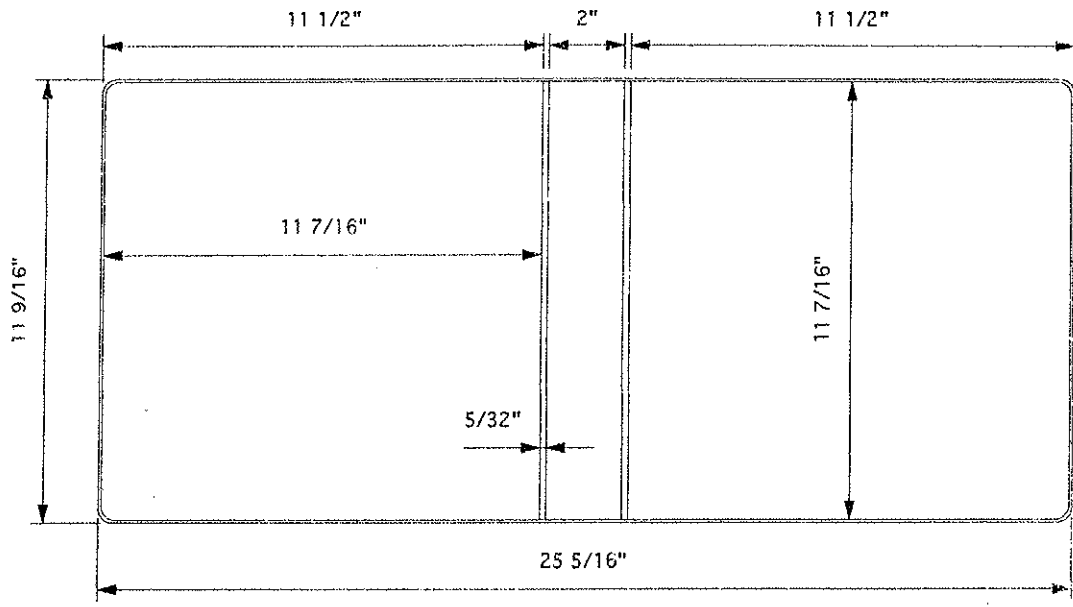


MATERIAL SPECS		GAUGE	PCS.	MATERIAL SPECS		GAUGE	PCS.
COVER MAT.	13 X 23 1/2		1	LINING MAT.	12 3/4 X 23 1/4		1
COVER MAT.				LINING MAT.			
DIE CUT				HORZ. PKT.	5 1/8 X 11		1
COL				VERT. PKT.			
LABEL HOLDER				DIE CUT			
GUSSET				REINF.			

BOARD SPECS		5/16" R. CORNERS		GAUGE	PCS.	BOARD SPECS		5/16" R. CORNERS		GAUGE	PCS.
F.C. BOARD	11 13/16 X 10 3/8	100	1	F.C. BOARD							
B.B. BOARD	11 13/16 X 1 1/32	100	1	B.B. BOARD							
B.C. BOARD	11 13/16 X 10 3/8	100	1	B.C. BOARD							
FLAP BD.				DIE CUT							
BOARD	11 25/32 X 1 1/32	35	1	DIE CUT							

Special Size Panels

ITEM #	7558	MATERIAL	RR - SD - AD	RADIUS	3/8
ORDER #	579809	CUSTOMER	OAKSTONE MEDICAL	TEAR SEAL	BLIND
SIZE	11X9	STYLE CASE	VINYL RING BINDER	BAR SEAL	484
DEPTH	1 1/2"	DUE DATE	11-05-03	COMPLETED	
LOCATION		QUANTITY	2500	DATE	10-24-03

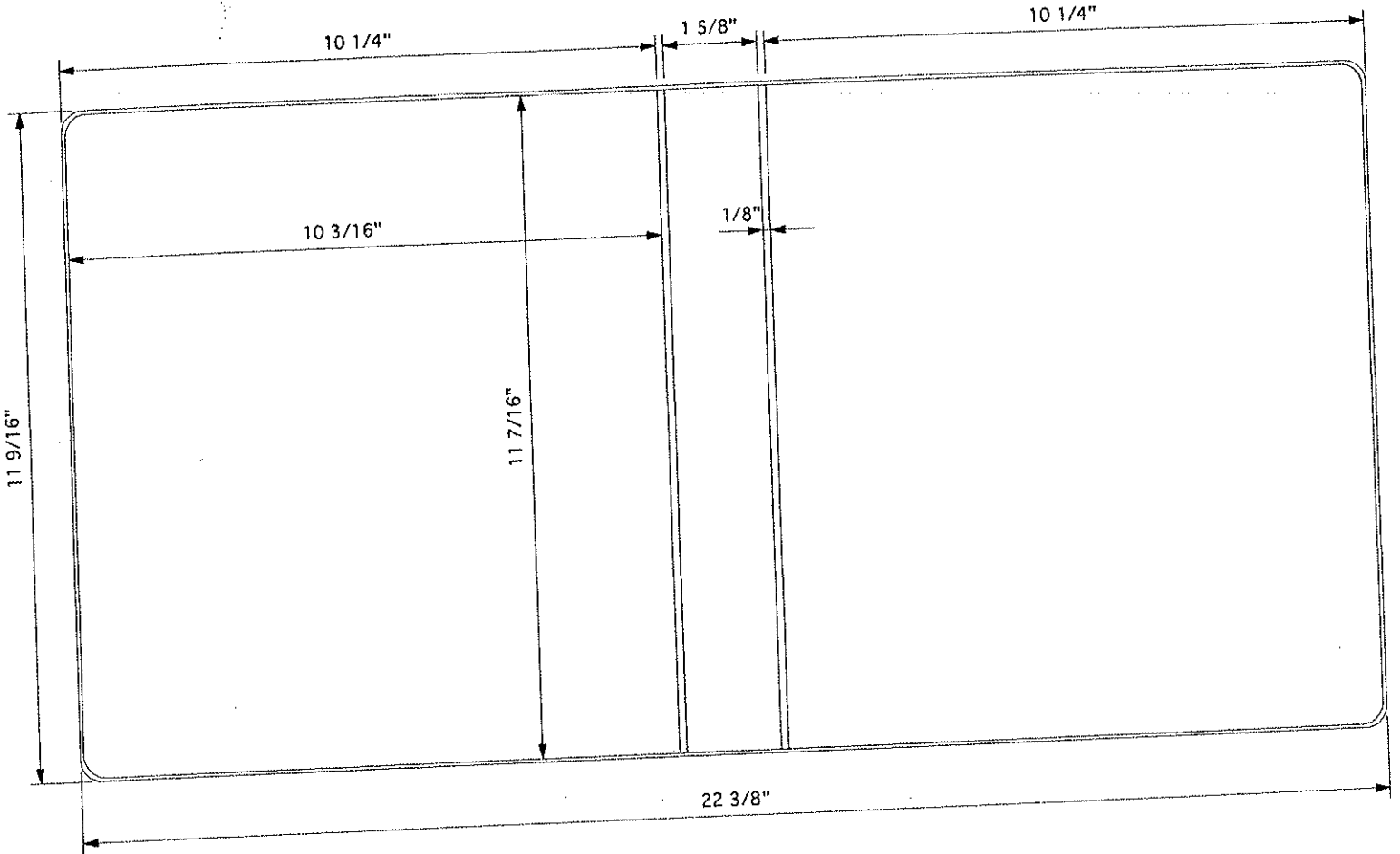


MATERIAL SPECS	GAUGE	MATERIAL SPECS	GAUGE	QTY
COVER MAT.		LINING MAT.		
12 1/4 X 26 7/8	1	12 1/4 X 26 7/8		1
CTORIAL		LINING MAT.		
		HORZ. PKT.		
ADDED				
		HORZ. PKT.	(4 1/2")	
3L		4 7/8 X 26 7/8		1
COL. NO TRIM		ONE SIDED		
11 11/16 X 15	1	ONE SIDED		
COL.				

MATERIAL SPECS	MATERIAL SPECS	MATERIAL SPECS	MATERIAL SPECS	MATERIAL SPECS
2. BOARD	11 3/8 X 11 3/8	033207 - 120PT	1	K.C. BOARD
				MAXITE
				033215 - 115PT
B BOARD	11 3/8 X 1 29/32		1	S.B. BOARD
C BOARD	11 3/8 X 11 3/8			B.C. BOARD
AP HD				G.B. OPT

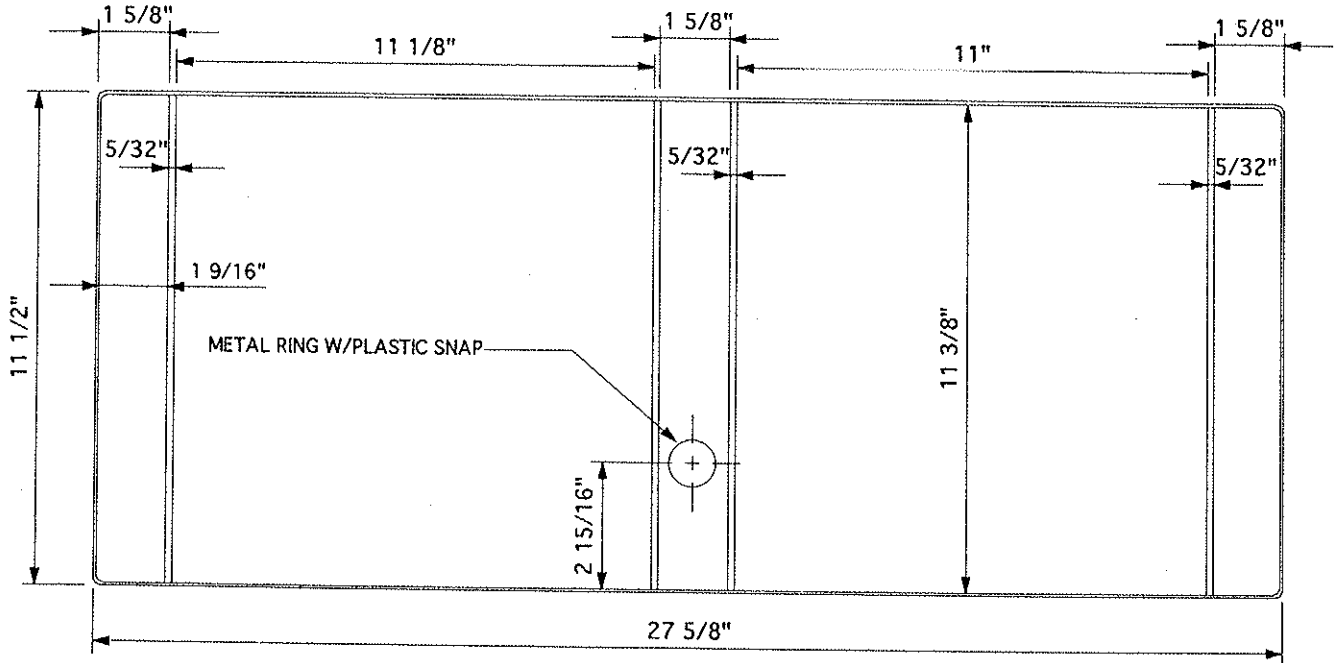
DIE #	7590-A	METAL	ROUND RING	RADIUS	3/8"
ORDER #	592860	CUSTOMER	ALCO CORPORATE SERVICES	TEAR SEAL	.014
SHEET SIZE	11 X 9	STYLE CASE	VINYL PADDED BINDER	BAR SEAL	253
CAP.	1 1/4"	DUE DATE	1-15-03	COMPLETED	
LOCATION		QUANTITY	6000	DATE	12-12-03

BINDER FITS INTO SLIPCASE 7591



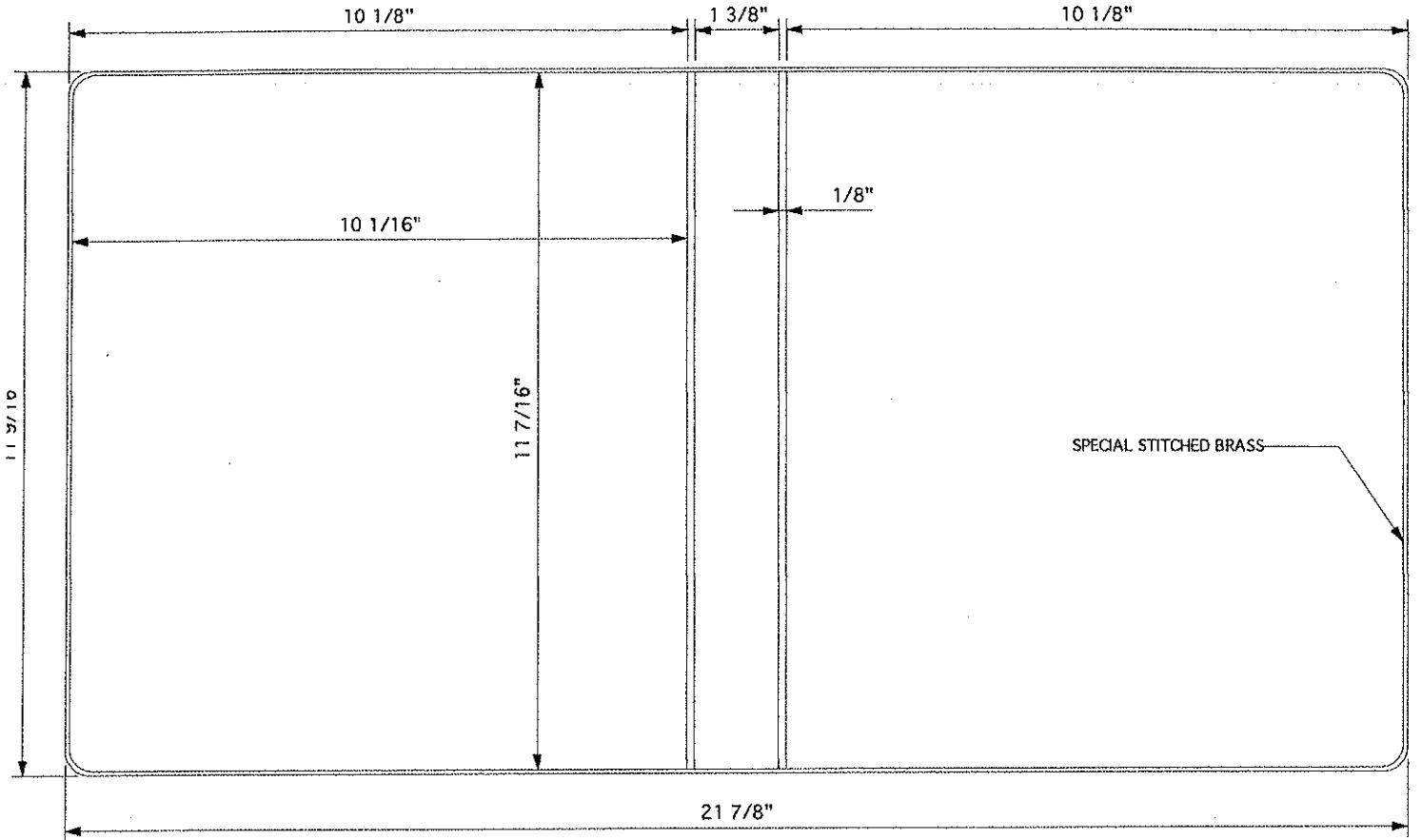
MATERIAL SPECS	GAUGE	PCS.	MATERIAL SPECS	GAUGE	PCS.
COVER MAT.	12 9/16 X 23 3/8	1	LINING MAT.	12 5/16 X 23 1/8	1
COVER MAT.			LINING MAT.		
DIE CUT			HORZ. PKT.		
COL.			VERT. PKT.		
LABEL HOLDER			DIE CUT		
GUSSET			REINF.		
BOARD SPECS	5/16" R. CORNERS	GAUGE	BOARD SPECS	5/16" R. CORNERS	GAUGE
F.C. BOARD			F.C. BOARD		
B.B. BOARD	11 11/32 X 1 17/32	100	B.B. BOARD		
B.C. BOARD			B.C. BOARD		
FLAP BD.			DIE CUT		
BOARD			DIE CUT		

DIE #	7738-A	METAL		RADIUS	3/16"
ORDER #	635479	CUSTOMER	AVERY	TEAR SEAL	.016
SHEET SIZE	11 X 9	STYLE CASE	VINYL BINDER W/MAGNETIC FLAPS	BAR SEAL	48-4
CAP.	1"	DUE DATE	8-16-04	COMPLETED	
LOCATION		QUANTITY	3	DATE	8-9-04



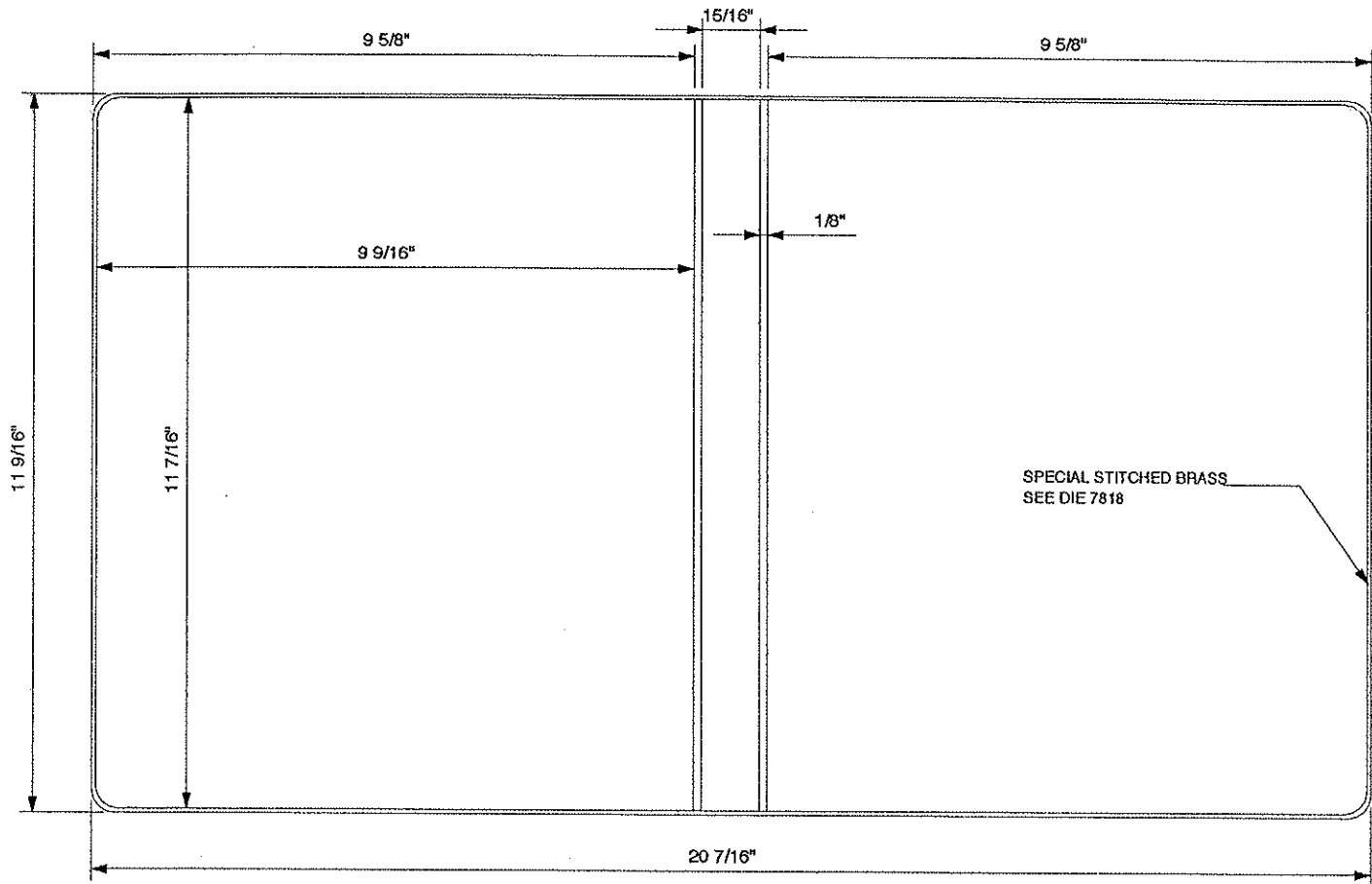
MATERIAL SPECS		GAUGE	PCS.	MATERIAL SPECS		GAUGE	PCS.
COVER MAT.	12 1/4 X 28 3/8		1	LINING MAT.	12 1/4 X 28 3/8		1
COVER MAT.				LINING MAT.			
DIE CUT				HORZ. PKT.			
COL LABEL HOLDER	11 3/4 X 24 9/16		1	VERT. PKT.			
GUSSET				DIE CUT			
				REINF.			
BOARD SPECS		GAUGE	PCS.	BOARD SPECS		GAUGE	PCS.
	5/16" R. CORNERS				5/16" R. CORNERS		
F.C. BOARD	11 5/16 X 10 15/16	120	1	F.C. BOARD			
B.B. BOARD	11 5/16 X 1 17/32	120	1	B.B. BOARD			
B.C. BOARD	11 5/16 X 11 1/16	120	1	B.C. BOARD			
FLAP BD.				DIE CUT			
BOARD				DIE CUT			

DIE #	7818	METAL	RR	RADIUS	1/2"
ORDER #	658478	CUSTOMER	DOCUSERVE	TEAR SEAL	SEE SAMPLE
SHEET SIZE	11 X 9	STYLE CASE	VINYL BINER	BAR SEAL	FLAT
CAP.	1"	DUE DATE	10-24-05	COMPLETED	
LOCATION		QUANTITY	1000	DATE	1-14-05



MATERIAL SPECS		GAUGE	PCS.	MATERIAL SPECS		GAUGE	PCS.				
COVER MAT.	12 1/4 X 22 5/8		1	LINING MAT.	12 1/4 X 22 5/8		1				
COVER MAT.				LINING MAT.							
DIE CUT				HORZ. PKT.	5 3/8 X 22 5/8		1				
COL	11 11/16 X 22 5/8		1	VERT. PKT.							
LABEL HOLDER				DIE CUT							
GUSSET				REINF.							
BOARD SPECS		5/16" R. CORNERS		GAUGE	PCS.	BOARD SPECS		5/16" R. CORNERS		GAUGE	PCS.
F.C. BOARD	11 11/32 X 9 31/32	100	1	F.C. BOARD							
B.B. BOARD	11 11/32 X 1 9/32	100	1	B.B. BOARD							
B.C. BOARD	11 11/32 X 9 31/32	100	1	B.C. BOARD							
FLAP BD.				DIE CUT							
BOARD				DIE CUT							

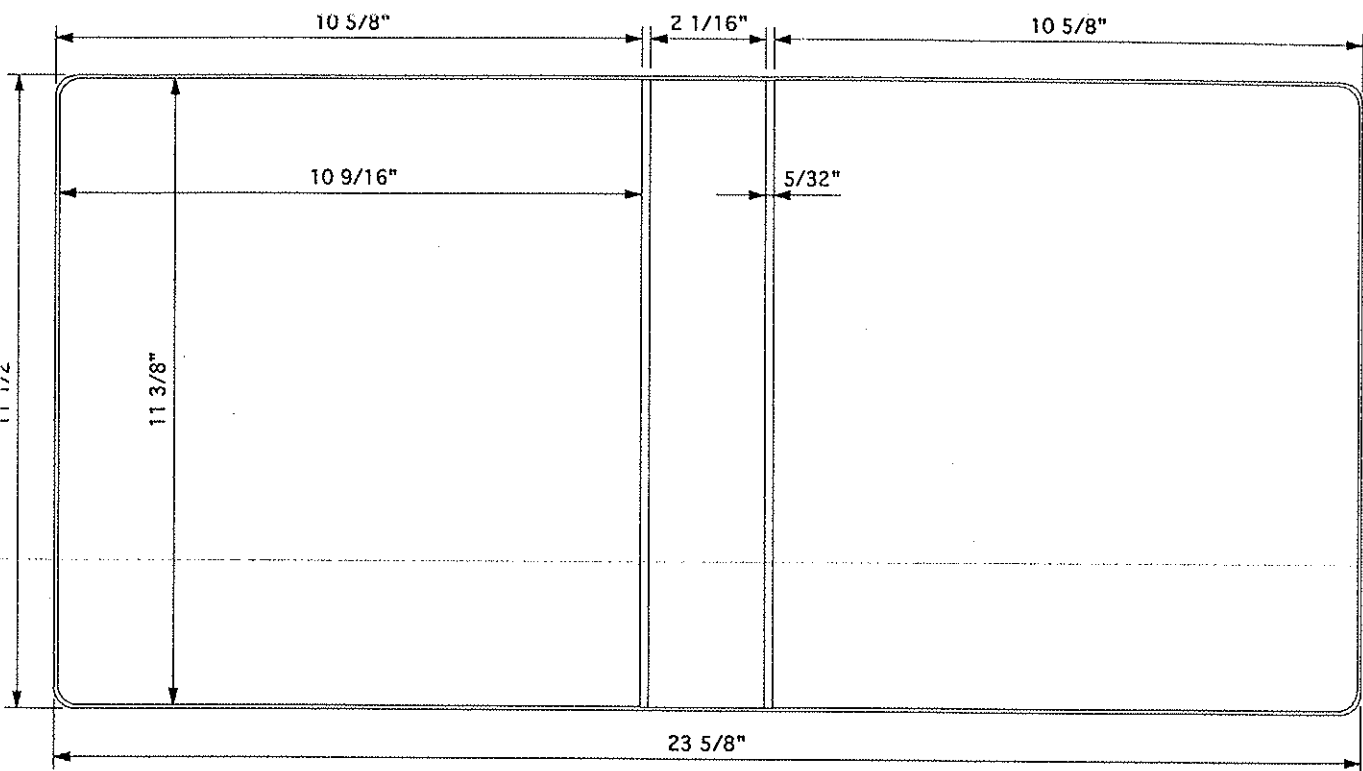
DIE #	7926	METAL	RR	RADIUS	1/2"
ORDER #	683649	CUSTOMER	DOCUSERVE	TEAR SEAL	SEE SAMPLE
SHEET SIZE	11 X 9	STYLE CASE	VINYL BINER	BAR SEAL	FLAT
CAP.	1/2"	DUE DATE	7-1-05	COMPLETED	
LOCATION		QUANTITY	200	DATE	6-16-05



MATERIAL SPECS		GAUGE	PCS.	MATERIAL SPECS		GAUGE	PCS.
COVER MAT.	12 1/4 X 21 1/4		1	LINING MAT.	12 1/4 X 21 1/4		1
COVER MAT.				LINING MAT.			
DIE CUT				HORZ. PKT.	5 3/8 X 21 1/4		1
COL	11 11/16 X 21 1/4		1	VERT. PKT.			
LABEL HOLDER				DIE CUT			
GUSSET				REINF.			
BOARD SPECS		GAUGE	PCS.	BOARD SPECS		GAUGE	PCS.
F.C. BOARD	11 11/32 X 9 15/32	100	1	F.C. BOARD			
B.B. BOARD	11 11/32 X 27/32	100	1	B.B. BOARD			
B.C. BOARD	11 11/32 X 9 15/32	100	1	B.C. BOARD			
FLAP BD.				DIE CUT			
BOARD				DIE CUT			

ITEM #	8288	METAL	1 1/2" PRONG	RADIUS	3/8"
ORDER #	774591	CUSTOMER	MERIDIAN ASSOCIATES INC	TEAR SEAL	.014
HEET SIZE	11 X 9	STYLE CASE	VRB TO FIT CM S/C 6246	BAR SEAL	48-4
IP.	1 1/2"	DUE DATE	3-2-07	COMPLETED	
LOCATION		QUANTITY	300	DATE	2-20-07

*** WARNING DRAWING NOT ACTUAL SIZE ***

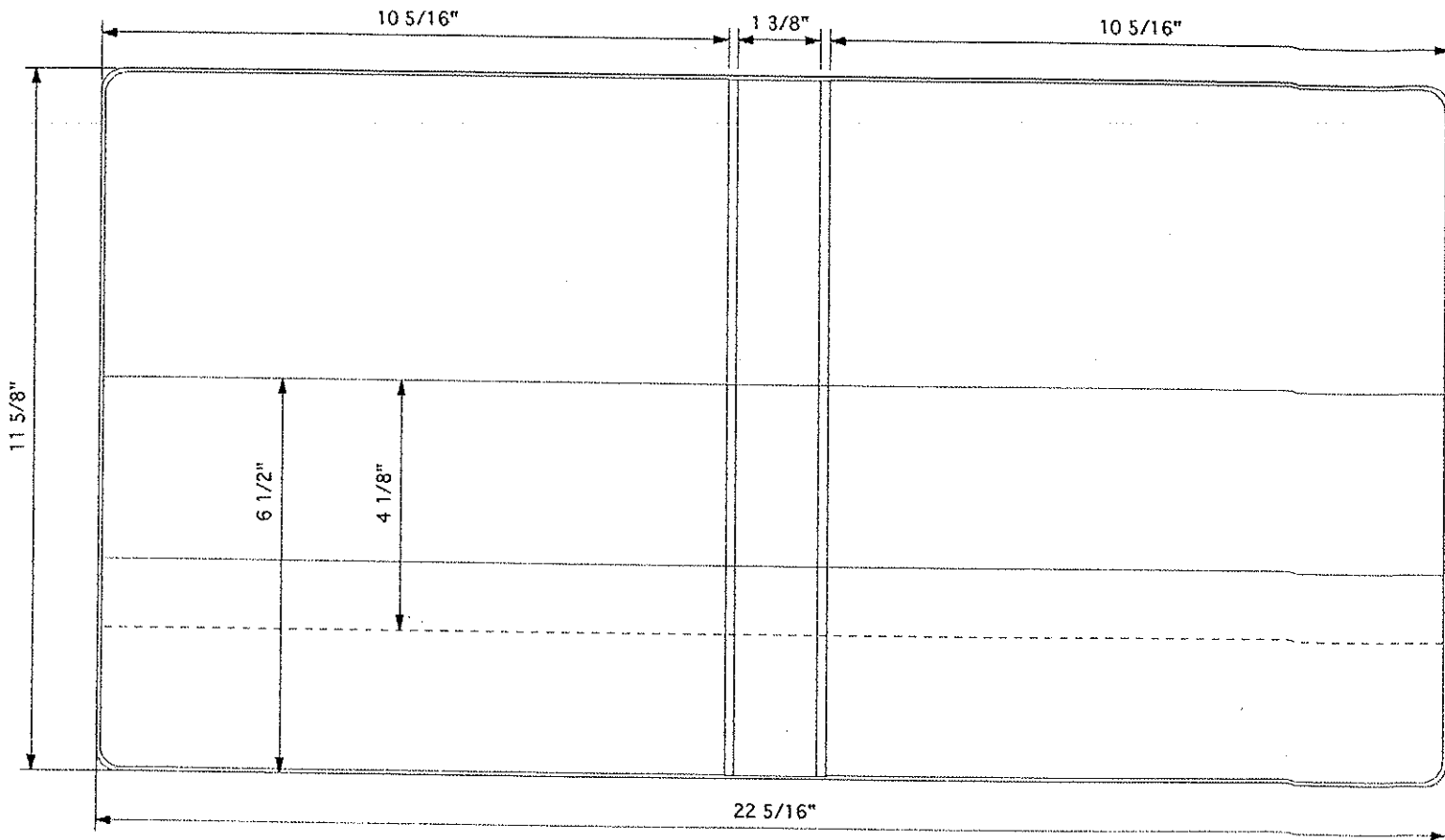


MATERIAL SPECS		GAUGE	PCS.	MATERIAL SPECS		GAUGE	PCS.
OVER MAT.	12 1/2 X 24 5/8		1	LINING MAT.	12 1/4 X 24 3/8		1
OVER MAT.				LINING MAT.			
DIE CUT				HORZ. PKT.	4 7/8 X 24 3/8		1
COL				VERT. PKT.			
ABEL HOLDER	11 5/8 X 3 3/8		1	DIE CUT			
MUSSET				REINF.			
BOARD SPECS		GAUGE	PCS.	BOARD SPECS		GAUGE	PCS.
5/16" R. CORNERS				5/16" R. CORNERS			
F.C. BOARD	11 9/32 X 10 15/32	98	1	F.C. BOARD			
B.B. BOARD	11 9/32 X 1 31/32	98	1	B.B. BOARD			
F.C. BOARD	11 9/32 X 10 15/32	98	1	B.C. BOARD			
LAP BD.				DIE CUT			
BOARD				DIE CUT			

2 up Die 7908R

DIE #	8573	METAL	RR	RADIUS	3/8"
ORDER #		CUSTOMER	AVERY	TEAR SEAL	.016
SHEET SIZE	11 X 9	STYLE CASE	VINYL BINDER	BAR SEAL	48-4
CAP.	1"	DUE DATE		COMPLETED	
LOCATION		QUANTITY		DATE	8-29-08

ONE UP VERSION OF 7908

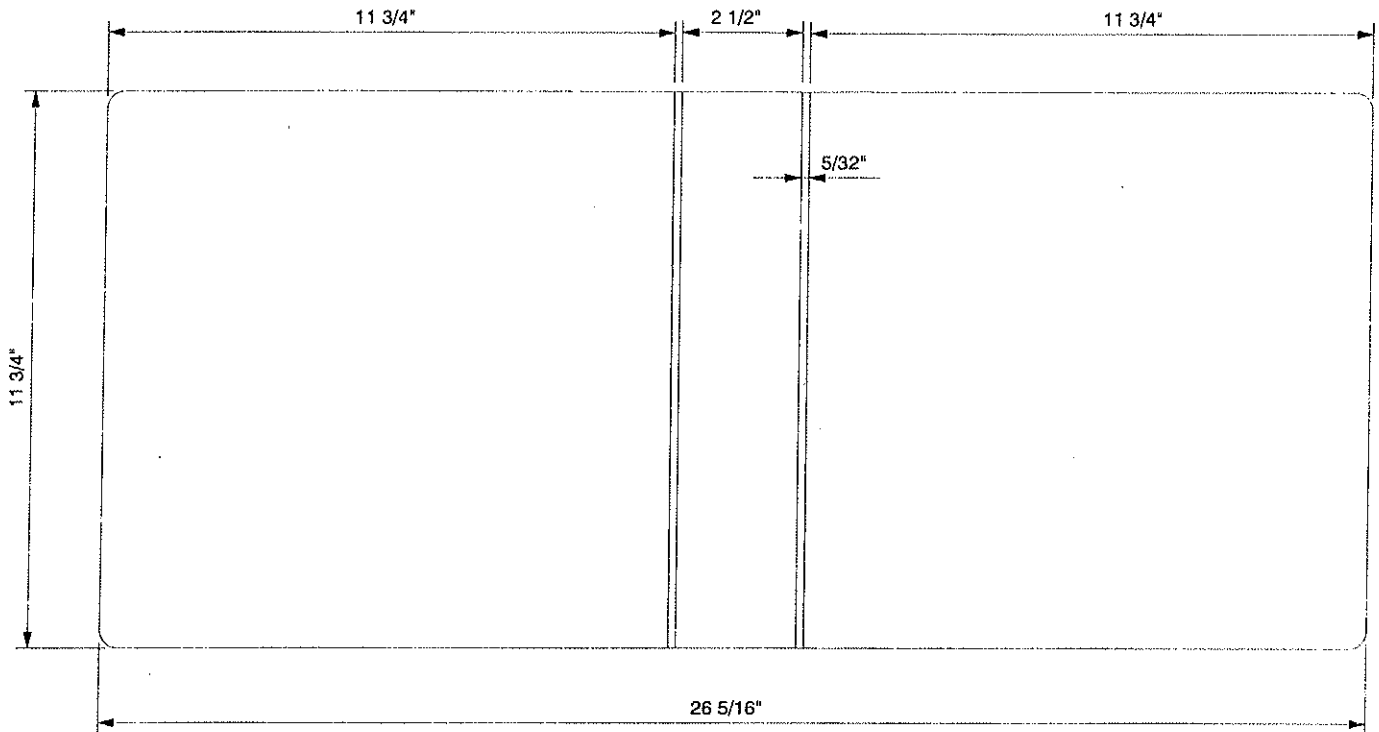


MATERIAL SPECS		GAUGE		PCS.		MATERIAL SPECS		GAUGE		PCS.	
COVER MAT.	12 3/8 X 23 5/16			1		LINING MAT.	12 3/8 X 23 5/16			1	
PICTORIAL						LINING MAT.					
LABEL HOLDER						HORZ. PKT.	6 7/8 X 23 5/16			1	
COL	12 3/8 X 23 5/16			1		HORZ. PKT.	4 1/8 X 23 5/16			1	
EX COL NO TRIM						ONE SIDED					
EX COL						ONE SIDED					

NORMAL 1/16" TOL		5/16" R. CORNERS		PCS.		BOARD TOL (3/32")		5/16" R. CORNERS		PCS.	
F.C. BOARD	11 13/32 X 10 5/32			1		F.C. BOARD					
B.B. BOARD	11 13/32 X 1 9/32			1		B.B. BOARD					
B.C. BOARD	11 13/32 X 10 5/32			1		B.C. BOARD					
FLAP BD.						DIE CUT					

Oversize Binder

DIE #	7210	METAL	LOC	RADIUS	3/8"
ORDER #	475137	CUSTOMER	PRO PRINTING	TEAR SEAL	.012
SHEET SIZE	11 X 9	STYLE CASE	VRB MATCHED SAMPLE	BAR SEAL	48-4
CAP.	2"	DUE DATE	2-1-02	COMPLETED	
LOCATION		QUANTITY	800	DATE	1-25-02

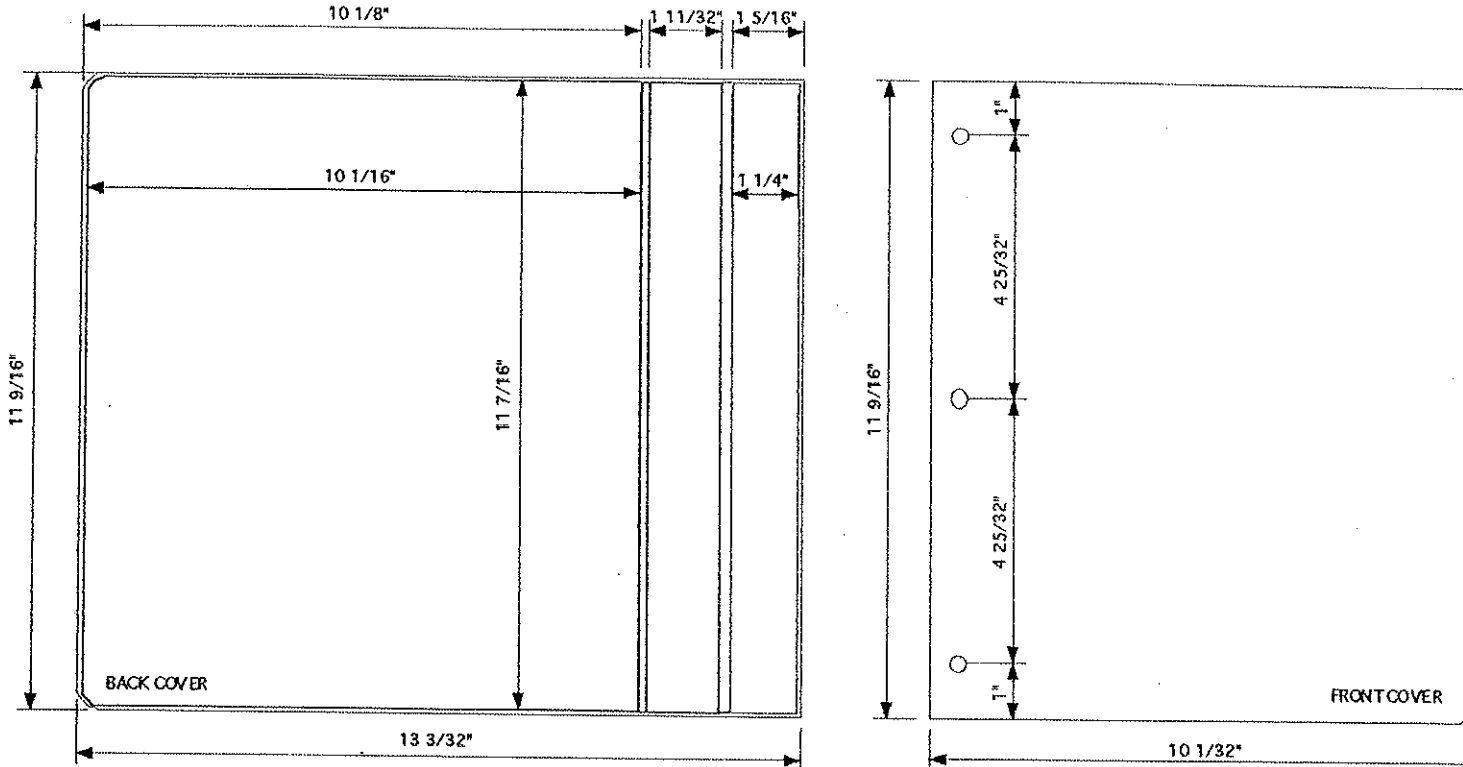


MATERIAL SPECS		GAUGE	PCS.	MATERIAL SPECS		GAUGE	PCS.
COVER MAT.	12 1/2 X 27 1/8		1	LINING MAT.	12 1/2 X 27 1/8		1
COVER MAT.				LINING MAT.			
DIE CUT				HORZ. PKT.	5 3/8 X 12 5/16		1
COL				VERT. PKT.			
LABEL HOLDER				DIE CUT			
GUSSET				REINF.			

BOARD SPECS		5/16" R. CORNERS		GAUGE	PCS.	BOARD SPECS		5/16" R. CORNERS		GAUGE	PCS.
F.C. BOARD	11 11/16 X 11 11/16	120	1	F.C. BOARD							
B.B. BOARD	11 11/16 X 2 13/32	120	1	B.B. BOARD							
B.C. BOARD	11 11/16 X 11 11/16	120	1	B.C. BOARD							
FLAP BD.				DIE CUT							
BOARD	11 21/32 X 2 3/8	22	1	DIE CUT							

DIE #	8575	METAL	RR	RADIUS	3/8"
ORDER #	860553	CUSTOMER	AMERICAN RETIREMENT	TEAR SEAL	.014
SHEET SIZE	11 X 9	STYLE CASE	VINYL AND POLY BINDER	BAR SEAL	48-4
CAP.	1"	DUE DATE	9-8-08	COMPLETED	
LOCATION		QUANTITY	100	DATE	9-5-08

*** WARNING DRAWING NOT ACTUAL SIZE ***



MATERIAL SPECS		GAUGE	PCS.	MATERIAL SPECS		GAUGE	PCS.				
COVER MAT.	12 9/16 X 14 1/8		1	LINING MAT.	12 5/16 X 13 7/8		1				
COVER MAT.	11 9/16 X 10 1/32	POLY 45	1	LINING MAT.							
DIE CUT				HORZ. PKT.							
COL				VERT. PKT.							
LABEL HOLDER				DIE CUT							
GUSSET				REINF.							
BOARD SPECS		5/16" R. CORNERS		GAUGE	PCS.	BOARD SPECS		5/16" R. CORNERS		GAUGE	PCS.
BOARD	11 11/32 X 9 31/32	90	1	F.C. BOARD							
BOARD	11 11/32 X 1 1/4	90	1	B.B. BOARD							
BOARD	11 11/32 X 1 1/4	22	1	B.C. BOARD							
BOARD	11 11/32 X 1 5/32	90	1	DIE CUT							
BOARD	11 11/32 X 1 5/32	22	1	DIE CUT							