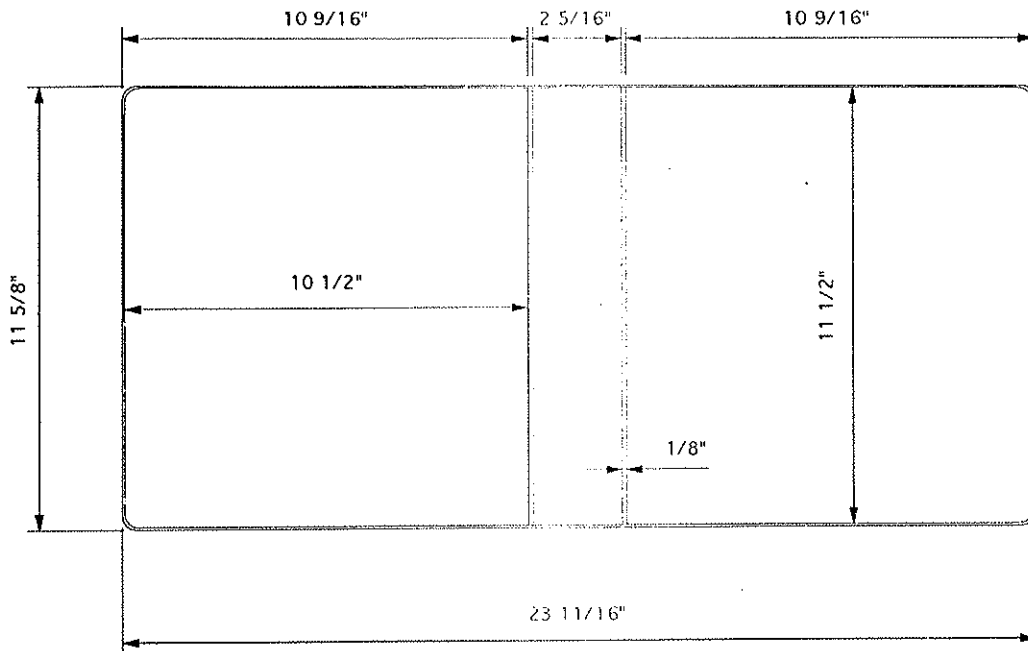


2wp Die 6105

DIE #	6160	METAL	STR D	RADIUS	3/8"
ORDER #	984953	CUSTOMER	NEWBRIDGE COMM.	TEAR SEAL	.014
SHEET SIZE	11 X 9	STYLE CASE	VINYL RING BINDER	BAR SEAL	253
CAP.	1 1/2"	DUE DATE		COMPLETED	
LOCATION	G-2-2	QUANTITY		DATE	11-20-96

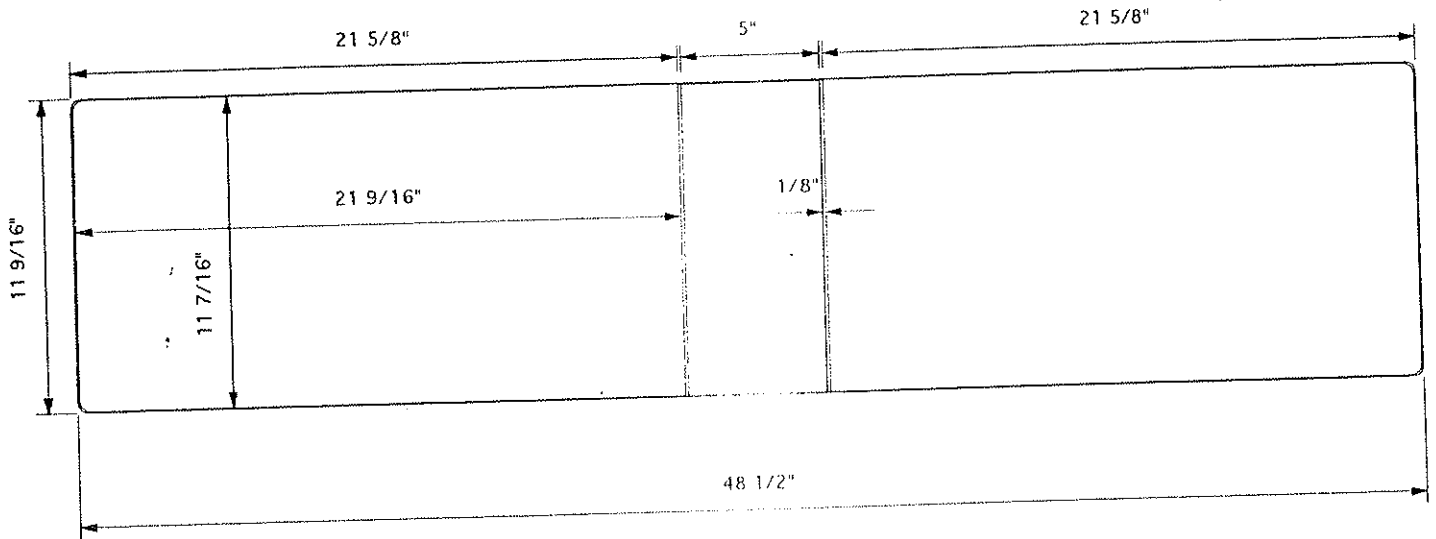


MATERIAL SPECS		GAUGE	PCS.	MATERIAL SPECS		GAUGE	PCS.
COVER MAT.	12 3/8 X 24 1/2		1	LINING MAT.	12 3/8 X 24 1/2		
PICTORIAL				LINING MAT.			
LABEL HOLDER				HORZ. PKT.			
COL				HORZ. PKT.			
EX COL NO TRIM				ONE SIDED	5 1/2 X 11		
EX COL				ONE SIDED			

NORMAL 1/16" TOL		PCS.	EXPANDED MATERIAL BOARD TOL. (3/32")		PCS.
F.C. BOARD			F.C. BOARD	11 13/32 X 10 13/32	1
B.B. BOARD			B.B. BOARD	11 13/32 X 2 7/32	1
B.C. BOARD			B.C. BOARD	11 13/32 X 10 13/32	1
FLAP BD.			DIE CUT		

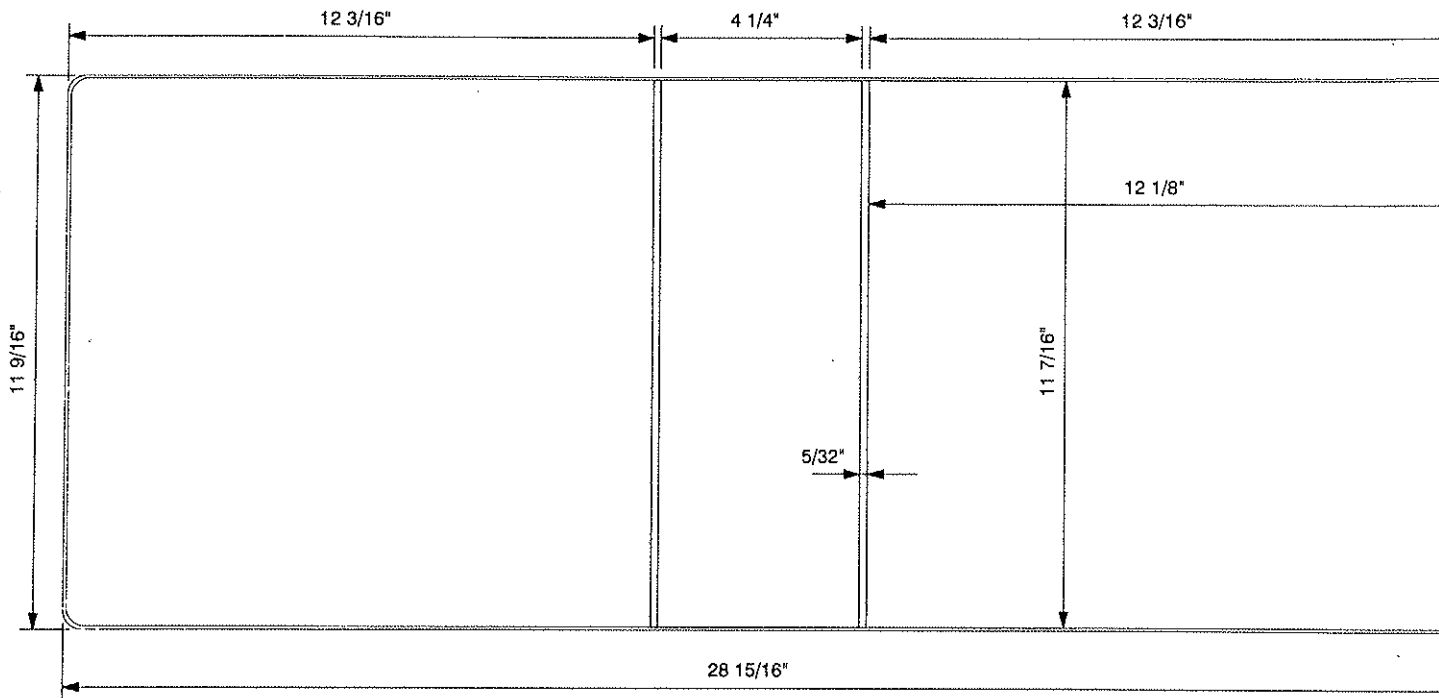
*Stock*

DIE #	6144	METAL	ANGLE D	RADIUS	3/8"
ORDER #	985865	CUSTOMER	EXXON COMPANY	TEAR SEAL	.014
SHEET SIZE	11 X 17 1/2	STYLE CASE	VINYL RING BINDER	BAR SEAL	253
CAP.	4"	DUE DATE	11-20-96	COMPLETED	
LOCATION	L-5-1	QUANTITY	25	DATE	11-7-96



MATERIAL SPECS		GAUGE	PCS.	MATERIAL SPECS		GAUGE	PCS.
COVER MAT.	12 5/16 X 49 1/2		1	LINING MAT.	12 5/16 X 49 1/2		1
COVER MAT.				LINING MAT.			
DIE CUT				HORZ. PKT.			
COL	11 11/16 X 28		1	VERT. PKT.			
LABEL HOLDER				DIE CUT			
GUSSET				REINF.			
BOARD SPECS		GAUGE	PCS.	BOARD SPECS		GAUGE	PCS.
F.C. BOARD	11 11/32 X 21 15/32	120	1	F.C. BOARD			
B.B. BOARD	11 11/32 X 4 29/32	120	1	B.B. BOARD			
B.C. BOARD	11 11/32 X 21 15/32	120	1	B.C. BOARD			
FLAP BD.				DIE CUT			
BOARD				DIE CUT			

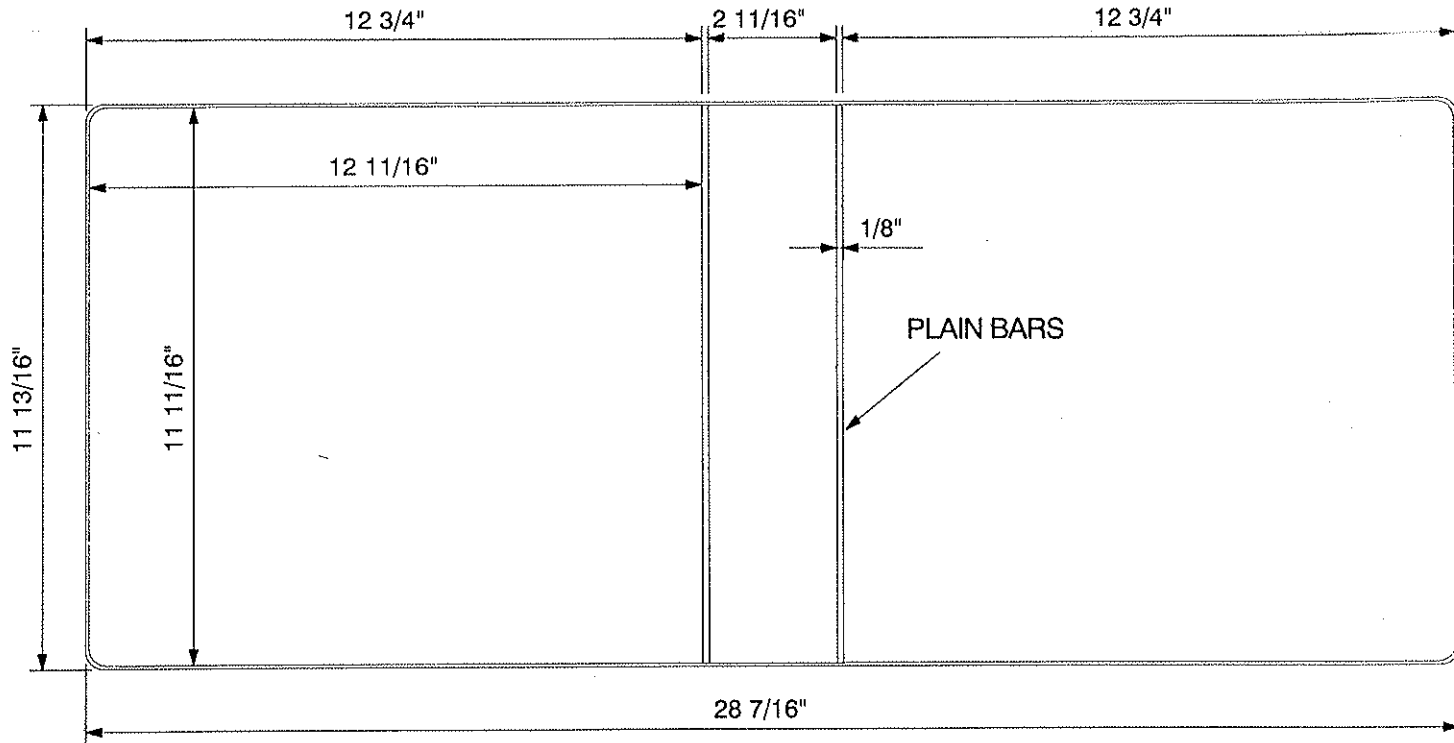
DIE #	6454	METAL	ANGLE D BOOSTER LOCK	RADIUS	3/8"
ORDER #	989441	CUSTOMER	PEERLESS HEATER CO	TEAR SEAL	.012
SHEET SIZE	11 X 9	STYLE CASE	VINYL BINDER	BAR SEAL	254
CAP.	3 1/2"	DUE DATE	3-30-98	COMPLETED	
LOCATION	L-1-6	QUANTITY	500	DATE	3-16-98



MATERIAL SPECS		GAUGE		PCS.		MATERIAL SPECS		GAUGE	
COVER MAT.	12 5/16 X 29 3/4		1	LINING MAT.	12 5/16 X 29 3/4				
COVER MAT.				LINING MAT.					
DIE CUT				HORZ. PKT.	5 3/8 X 29 3/4				
COL	11 11/16 X 17 5/8		1	VERT. PKT.					
LABEL HOLDER				DIE CUT					
GUSSET				REINF.					

BOARD SPECS		GAUGE		PCS.		BOARD SPECS		GAUGE	
F.C. BOARD	11 3/8 X 12 1/16	120	1	F.C. BOARD					
B.B. BOARD	11 3/8 X 4 5/32	120	1	B.B. BOARD					
B.C. BOARD	11 3/8 X 12 1/16	120	1	B.C. BOARD					
FLAP BD.				DIE CUT					
BOARD				DIE CUT					

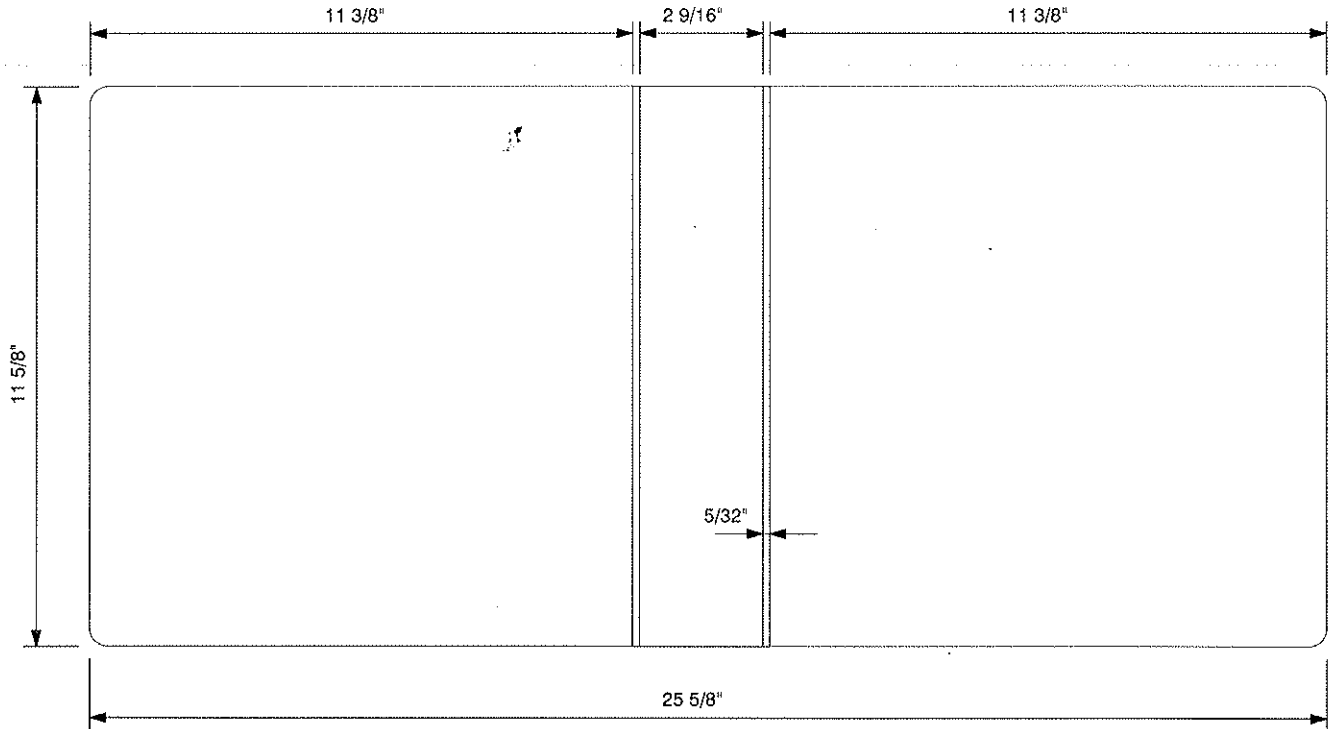
DIE #	6470	METAL	2" HOC	RADIUS	3/8
ORDER #	989601	CUSTOMER	OUTSOURCE COLOR PRINTING	TEAR SEAL	.014
SHEET SIZE	11 x 11	STYLE CASE	VRB	BAR SEAL	253 PLAIN
CAP.	2"	DUE DATE	4/2/98	COMPLETED	
LOCATION		QUANTITY	150	DATE	3/26/98



MATERIAL SPECS		GAUGE		MATERIAL SPECS		GAUGE	
COVER MAT.	12 13/16 X 29 7/16	EXP	1	LINING MAT.	12 5/8 X 29 1/4	PREM	1
COVER MAT.				LINING MAT.			
DIE CUT				HORZ. PKT.			
COL				VERT. PKT.			
LABEL HOLDER				DIE CUT			
GUSSET				REINF.			

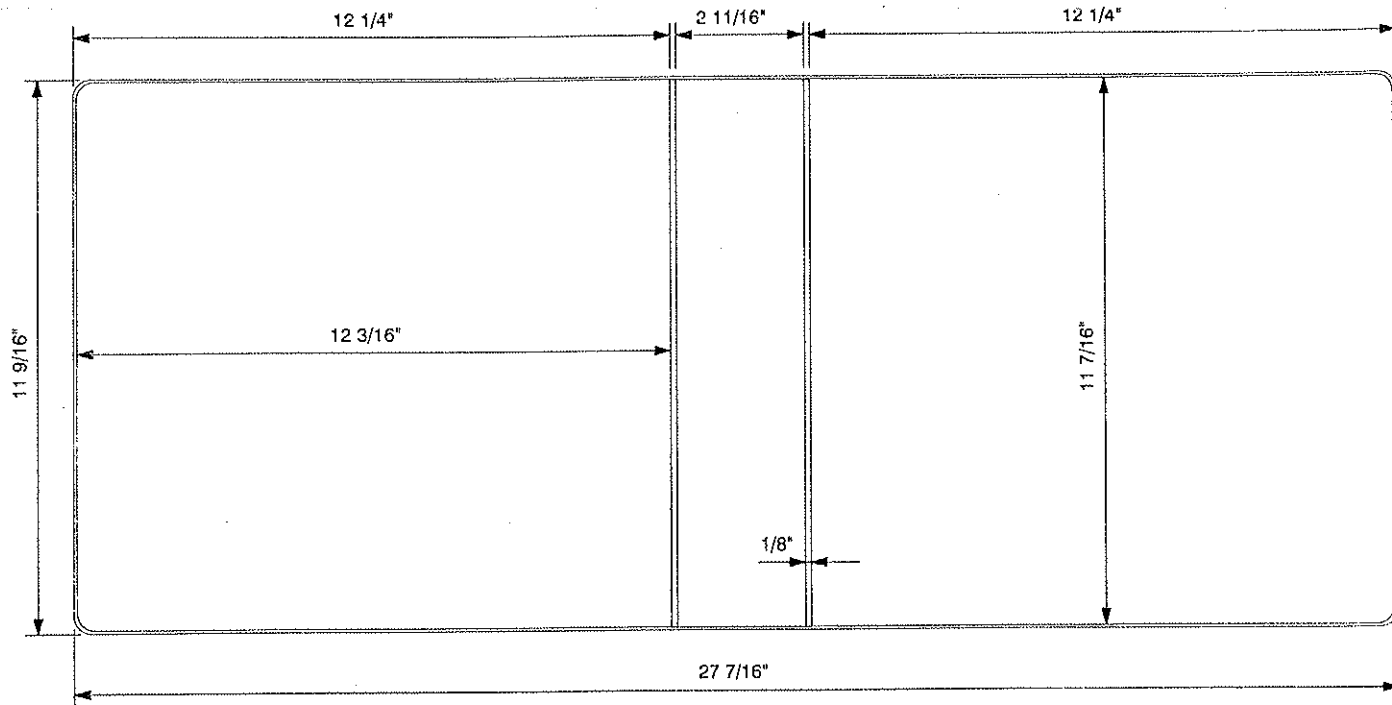
BOARD SPECS		GAUGE		BOARD SPECS		GAUGE	
F.C. BOARD	11 19/32 X 12 19/32	120	1	F.C. BOARD			
B.B. BOARD	11 19/32 X 2 19/32	120	1	B.B. BOARD	11 17/32 X 2 17/32	48	1
B.C. BOARD	11 19/32 X 12 19/32	120	1	B.C. BOARD	BACK-UP		
FLAP BD.				DIE CUT			
BOARD				DIE CUT			

DIE #	6498	METAL	2" ANGLE D	RADIUS	3/8"
ORDER #	989981	CUSTOMER	ACE ACCELERATED	TEAR SEAL	NAT EDGE
SHEET SIZE	11 X 9	STYLE CASE	VINYL RING BINDER	BAR SEAL	48-4
CAP.	2"	DUE DATE	5-8-98	COMPLETED	
LOCATION	F-6-9	QUANTITY	1	DATE	5-6-98



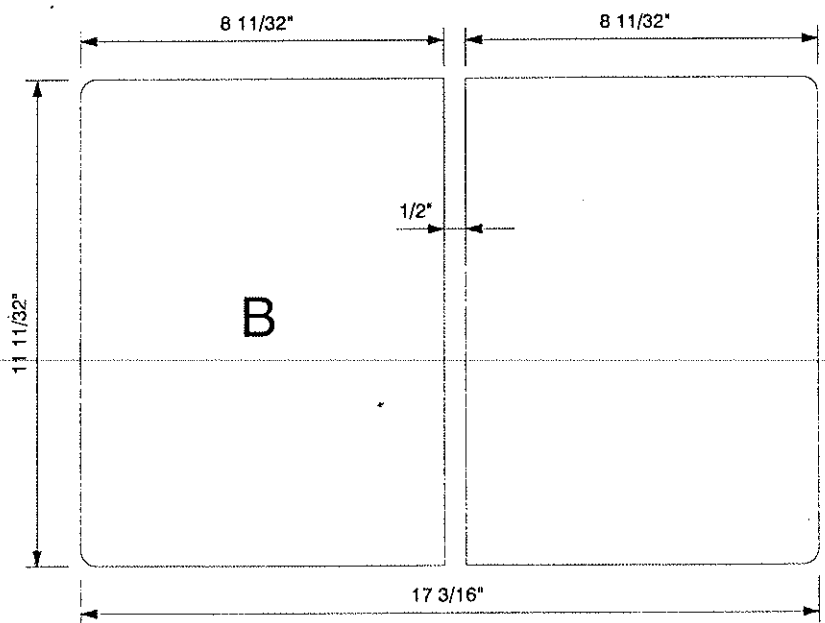
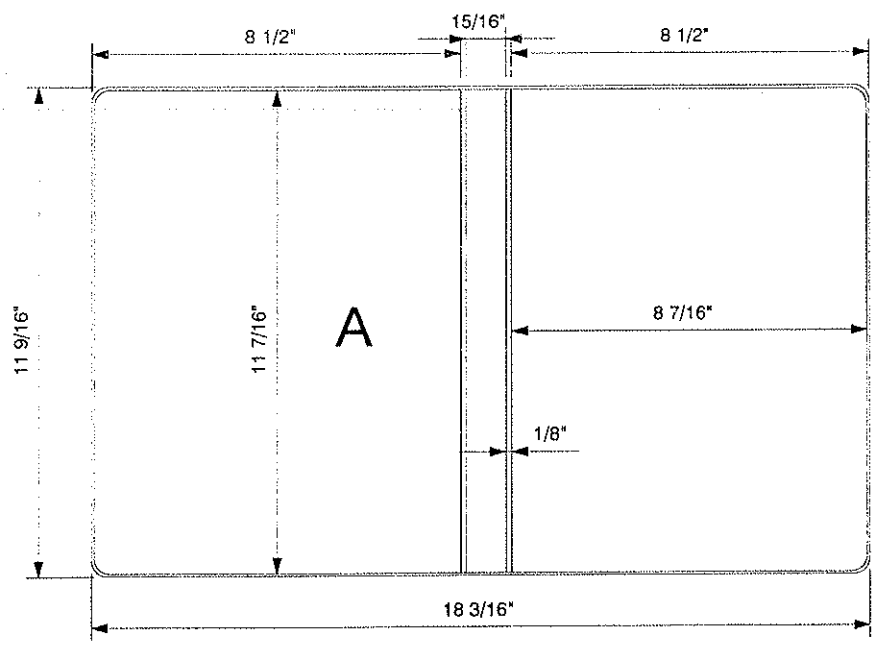
MATERIAL SPECS		GAUGE	PCS.	MATERIAL SPECS		GAUGE	PCS.
COVER MAT.	12 3/8 X 26 3/8		1	LINING MAT.	12 3/8 X 26 3/8		1
COVER MAT.				LINING MAT.			
DIE CUT				HORZ. PKT.			
COL				VERT. PKT.			
LABEL HOLDER				DIE CUT			
GUSSET				REINF.			
BOARD SPECS		GAUGE	PCS.	BOARD SPECS		GAUGE	PCS.
F.C. BOARD	11 7/16 X 11 1/4		1	F.C. BOARD			
B.B. BOARD	11 7/16 X 2 15/32		1	B.B. BOARD			
B.C. BOARD	11 7/16 X 11 1/4		1	B.C. BOARD			
FLAP BD.				DIE CUT			
BOARD				DIE CUT			

DIE #	6597	METAL	HOC <i>2 Angle D</i>	RADIUS	3/8"
ORDER #	178132	CUSTOMER	COMPOSITE STRUCTURE	TEAR SEAL	.012
SHEET SIZE	11 X 10	STYLE CASE	VINYL RING BINDER	BAR SEAL	253
CAP.	2"	DUE DATE	11-20-98	COMPLETED	
LOCATION		QUANTITY	5000	DATE	11-6-98



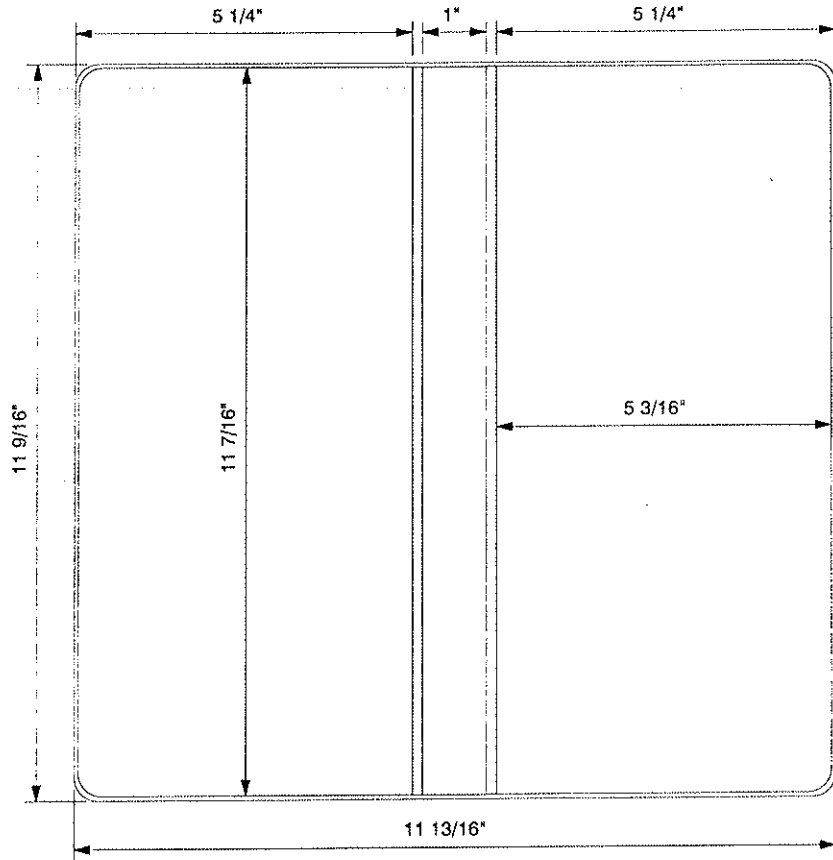
MATERIAL SPECS		GAUGE	PCS.	MATERIAL SPECS	GAUGE
COVER MAT.	12 5/16 X 28 1/4		1	LINING MAT.	12 5/16 X 28 1/4
COVER MAT.				LINING MAT.	
DIE CUT				HORZ. PKT.	5 X 12 3/4
COL				VERT. PKT.	
LABEL HOLDER				DIE CUT	
GUSSET				REINF.	
BOARD SPECS		GAUGE	PCS.	BOARD SPECS	GAUGE
	5/16" R. CORNERS				5/16" R. CORNERS
F.C. BOARD	11 3/8 X 12 1/8	120	1	F.C. BOARD	
B.B. BOARD	11 3/8 X 2 19/32	120	1	B.B. BOARD	
B.C. BOARD	11 3/8 X 12 1/8	120	1	B.C. BOARD	
FLAP BD.				DIE CUT	
BOARD				DIE CUT	

DIE #	6631-A-B	METAL	ROUND RING MEMO W/B	RADIUS	3/8"
ORDER #	198985	CUSTOMER	COMMONWEALTH HILTON	TEAR SEAL	.012
SHEET SIZE	11 X 6 3/4	STYLE CASE	VINYL RING BINDER	BAR SEAL	253
CAP.	1/2"	DUE DATE	2-4-99	COMPLETED	
LOCATION	I-9-7	QUANTITY	400	DATE	1-20-99



MATERIAL SPECS		GAUGE	PCS.	MATERIAL SPECS	GAUGE	PCS.
COVER MAT.	12 5/8 X 19 1/4	1		LINING MAT.	12 5/16 X 19	1
COVER MAT.				LINING MAT.		
COVER MAT.				LINING MAT.		
BOARD SPECS		GAUGE	PCS.	BOARD SPECS	GAUGE	PCS.
F.C. BOARD	<u>5/16" R. CORNERS</u>			DIE CUT	<u>5/16" R. CORNERS</u>	
					12 3/8 X 18 1/4	PADDED 120 1
B.B. BOARD	11 11/32 X 27/32	120	1			
B.C. BOARD						

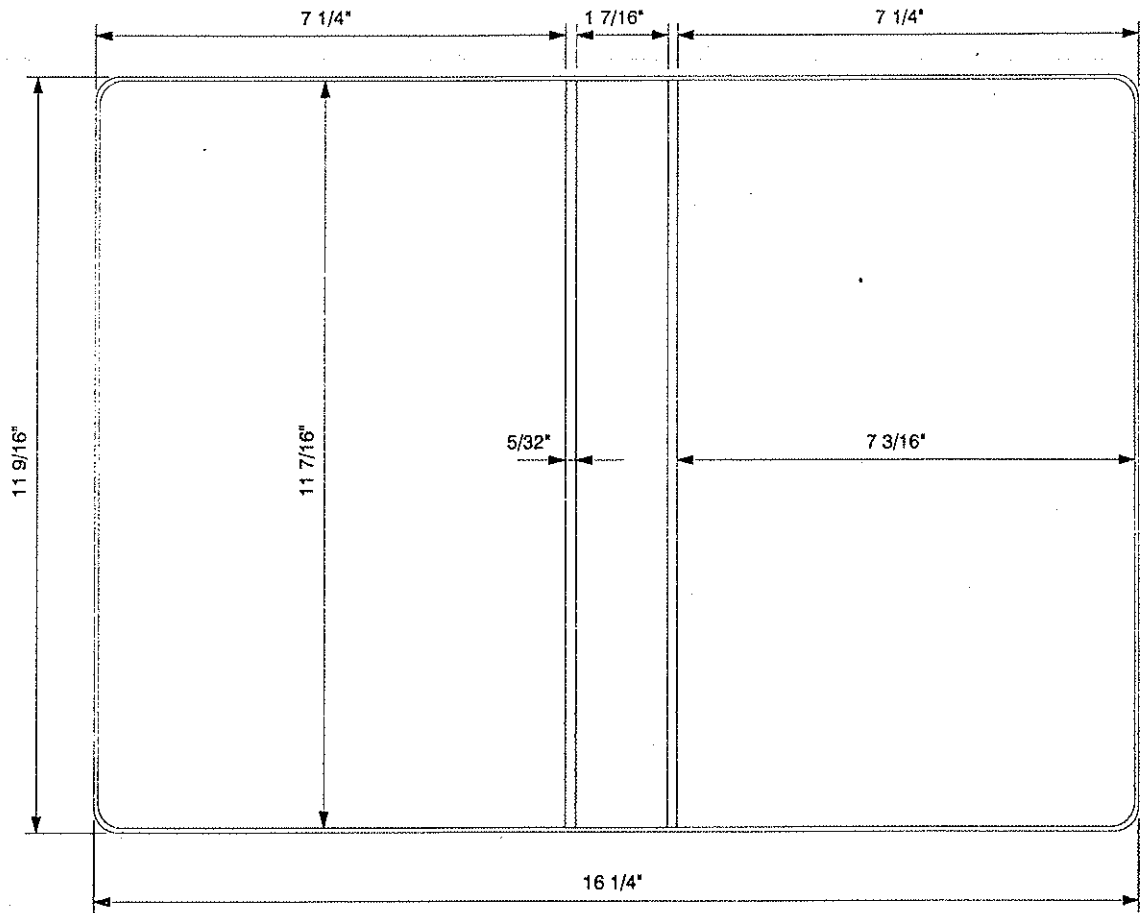
DIE #	6667	METAL	LOC	RADIUS	3/8"
ORDER #	217699	CUSTOMER	AD SPECIALTIES	TEAR SEAL	.012
SHEET SIZE	11 X 4.5	STYLE CASE	VINYL RING BINDER	BAR SEAL	254
CAP.	1/2"	DUE DATE	3-29-99	COMPLETED	
LOCATION	1-10-9	QUANTITY	1003	DATE	3-11-99



MATERIAL SPECS		GAUGE	PCS.	MATERIAL SPECS		GAUGE	PCS.
COVER MAT.	12 5/16 X 12 9/16		1	LINING MAT.	12 5/16 X 12 9/16		1
COVER MAT.				LINING MAT.			
DIE CUT				HORZ. PKT.			
COL				VERT. PKT.			
LABEL HOLDER				DIE CUT			
GUSSET				REINF.			
BOARD SPECS		GAUGE	PCS.	BOARD SPECS		GAUGE	PCS.
	5/16" R. CORNERS				5/16" R. CORNERS		
F.C. BOARD	11 3/8 X 5 1/8	100	1	F.C. BOARD			
B.B. BOARD	11 3/8 X 29/32	100	1	B.B. BOARD			
B.C. BOARD	11 3/8 X 5 1/8	100	1	B.C. BOARD			
FLAP BD.				DIE CUT			
BOARD				DIE CUT			



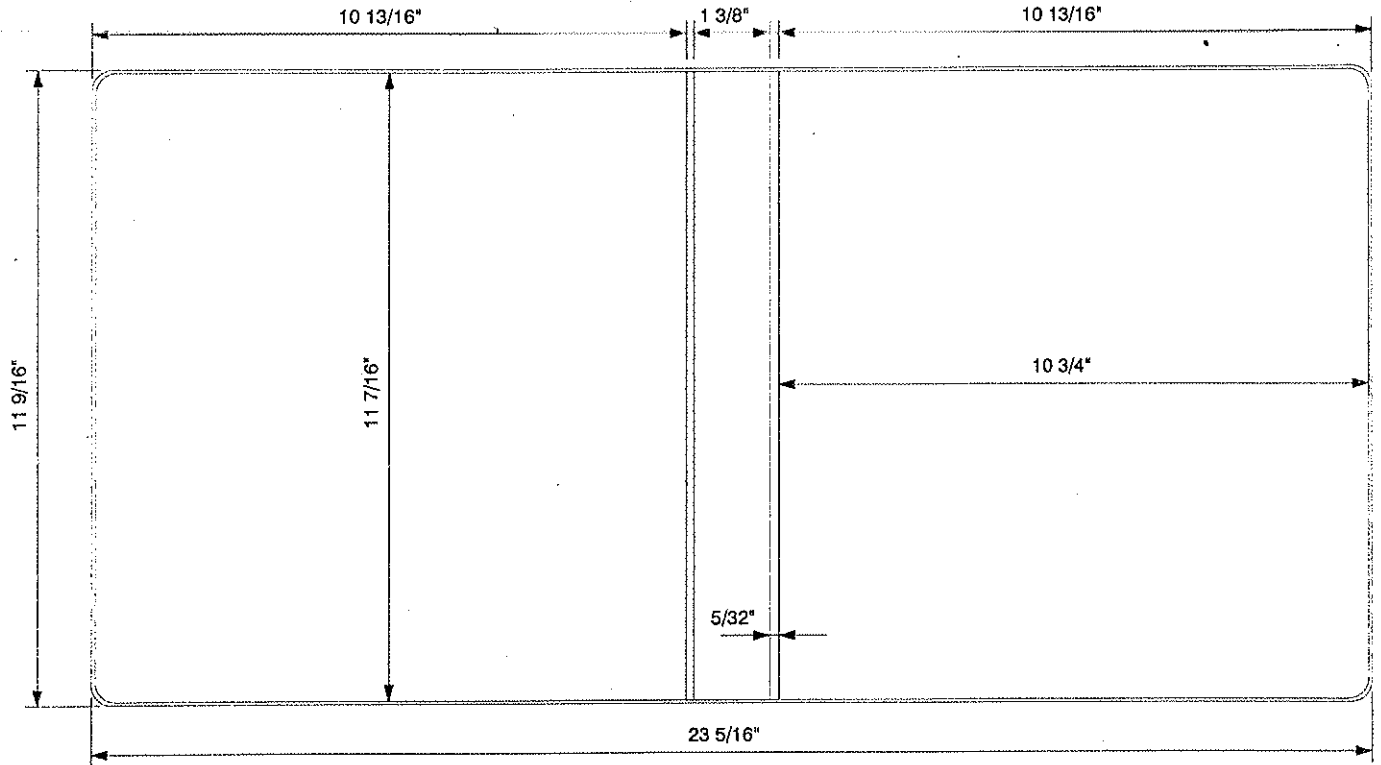
DIE #	6669	METAL	LOC	RADIUS	3/8"
ORDER #	219598	CUSTOMER	EBSCO MEDIA	TEAR SEAL	.012
SHEET SIZE	11 X 6	STYLE CASE	VINYL RING BINDER	BAR SEAL	254
CAP.	1"	DUE DATE	3-24-99	COMPLETED	
LOCATION	I-11-2	QUANTITY	1000	DATE	3-15-99



MATERIAL SPECS		GAUGE	PCS.	MATERIAL SPECS		GAUGE
COVER MAT.	12 5/16 X 17		1	LINING MAT.	12 5/16 X 17	
COVER MAT.				LINING MAT.		
DIE CUT				HORZ. PKT.		
COL				VERT. PKT.		
LABEL HOLDER				DIE CUT		
GUSSET				REINF.		
BOARD SPECS		GAUGE	PCS.	BOARD SPECS		GAUGE
	5/16" R. CORNERS				5/16" R. CORNERS	
F.C. BOARD	11 3/8 X 7 1/8	120	1	F.C. BOARD		
B.B. BOARD	11 3/8 X 1 11/32	120	1	B.B. BOARD		
B.C. BOARD	11 3/8 X 7 1/8	120	1	B.C. BOARD		
FLAP BD.				DIE CUT		
BOARD				DIE CUT		

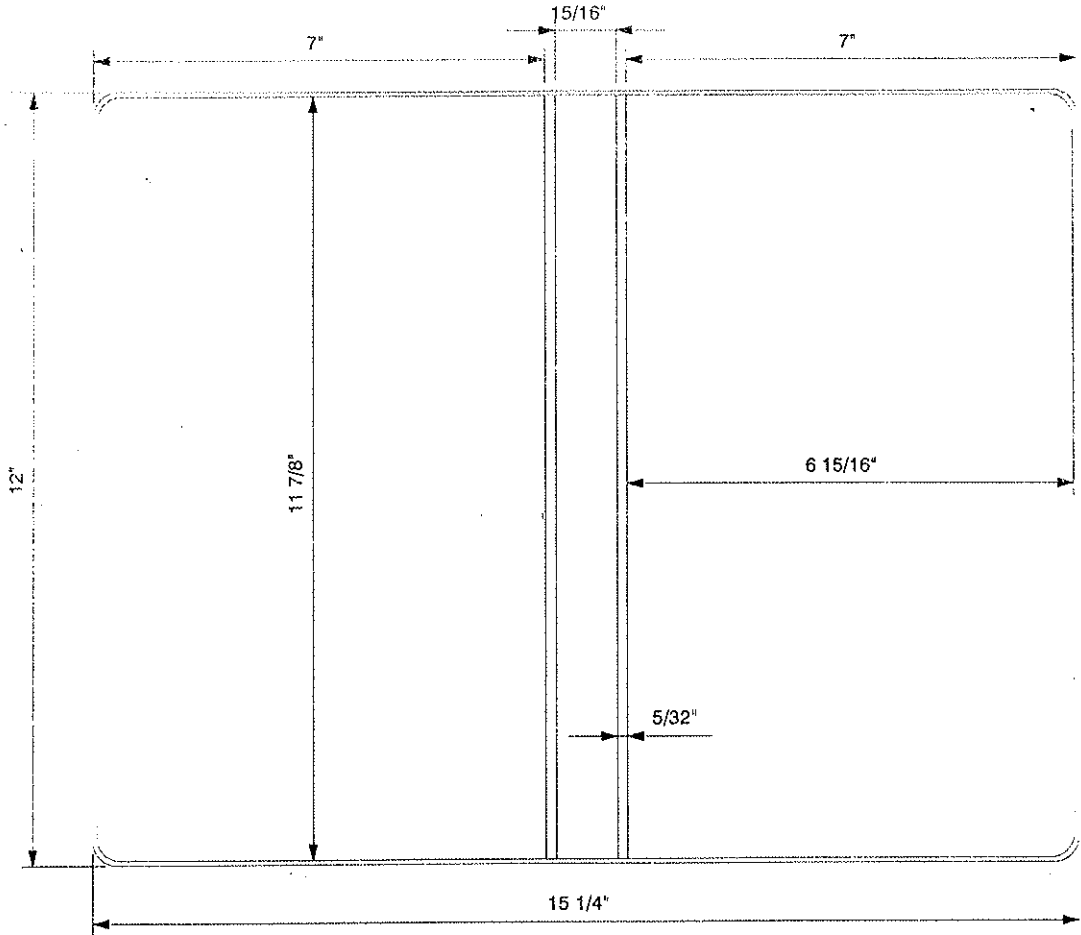
DIE #	6679	METAL	LOC BENSON	RADIUS	3/8"
ORDER #	229260	CUSTOMER	DAY MOUNT COMPANY	TEAR SEAL	.012
SHEET SIZE	11 X 10	STYLE CASE	VINYL RING BINDER	BAR SEAL	48-4
CAP.	1"	DUE DATE	4-20-99	COMPLETED	
LOCATION	I-11-6	QUANTITY	1	DATE	4-12-99

DO NOT USE THIS DIE WITH ANY OTHER CUSTOMER.  
(DAY MOUNT COMPANY)



MATERIAL SPECS		GAUGE	PCS.	MATERIAL SPECS		GAUGE	PCS.
COVER MAT.	$12 \frac{5}{16} \times 24 \frac{1}{8}$		1	LINING MAT.	$12 \frac{5}{16} \times 24 \frac{1}{8}$		1
COVER MAT.				LINING MAT.			
DIE CUT				HORZ. PKT.			
COL				VERT. PKT.			
LABEL HOLDER				DIE CUT			
GUSSET				REINF.			
BOARD SPECS		$\frac{5}{16}$ " R. CORNERS		BOARD SPECS		$\frac{5}{16}$ " R. CORNERS	
F.C. BOARD	$11 \frac{3}{8} \times 10 \frac{11}{16}$	100	1	F.C. BOARD			
B.B. BOARD	$11 \frac{3}{8} \times 1 \frac{9}{32}$	100	1	B.B. BOARD			
B.C. BOARD	$11 \frac{3}{8} \times 10 \frac{11}{16}$	100	1	B.C. BOARD			
FLAP BD.				DIE CUT			
BOARD				DIE CUT			

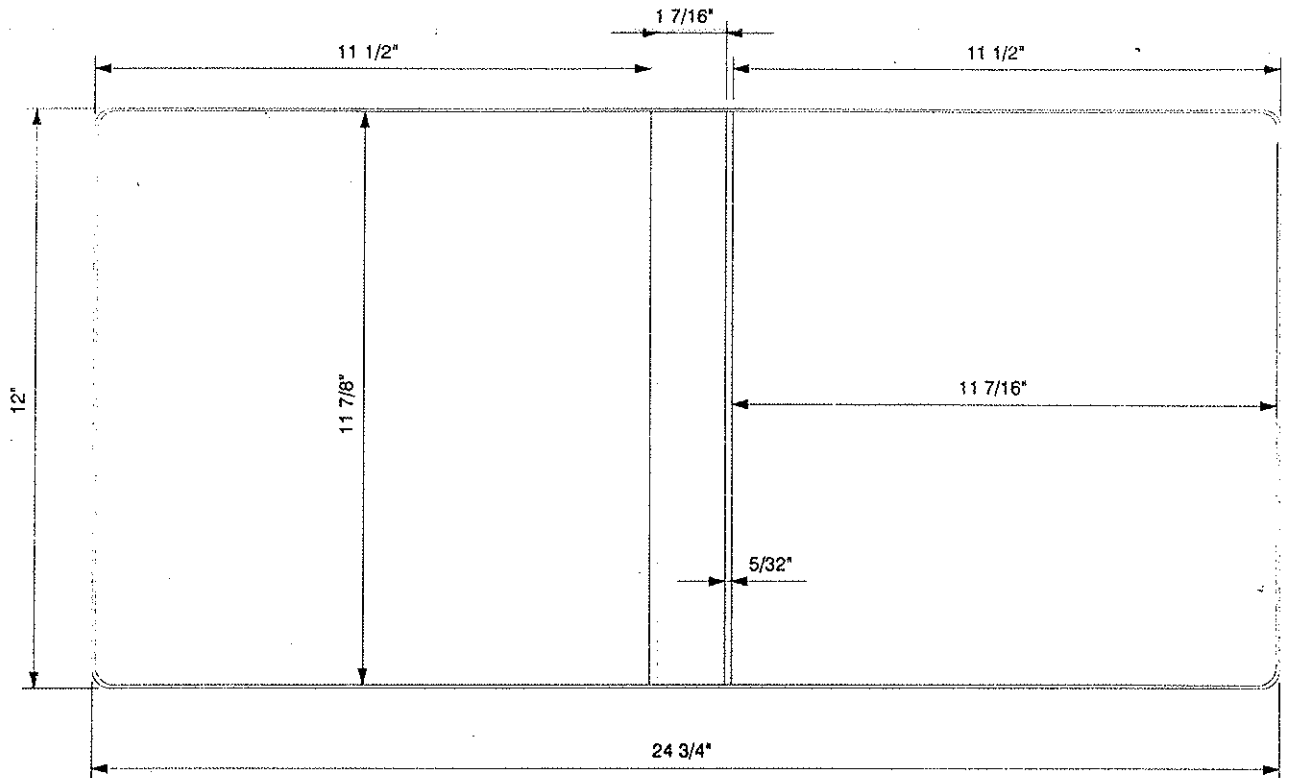
DIE #	6683	METAL	LOC	RADIUS	3/8"
ORDER #	232434	CUSTOMER	A.S. HOSPITALITY	TEAR SEAL	SPECIAL
SHEET SIZE	11.5 X 6.375	STYLE CASE	VINYL RING BINDER	BAR SEAL	48-4
CAP.	1/2"	DUE DATE	4-26-99	COMPLETED	
LOCATION	I-11-7	QUANTITY	4	DATE	4-22-99



MATERIAL SPECS		GAUGE	PCS.	MATERIAL SPECS		GAUGE
COVER MAT.	13 X 16 1/4		1	LINING MAT.	12 3/4 X 16	
COVER MAT.				LINING MAT.		
DIE CUT				HORZ. PKT.		
COL				VERT. PKT.		
LABEL HOLDER				DIE CUT		
GUSSET				REINF.		

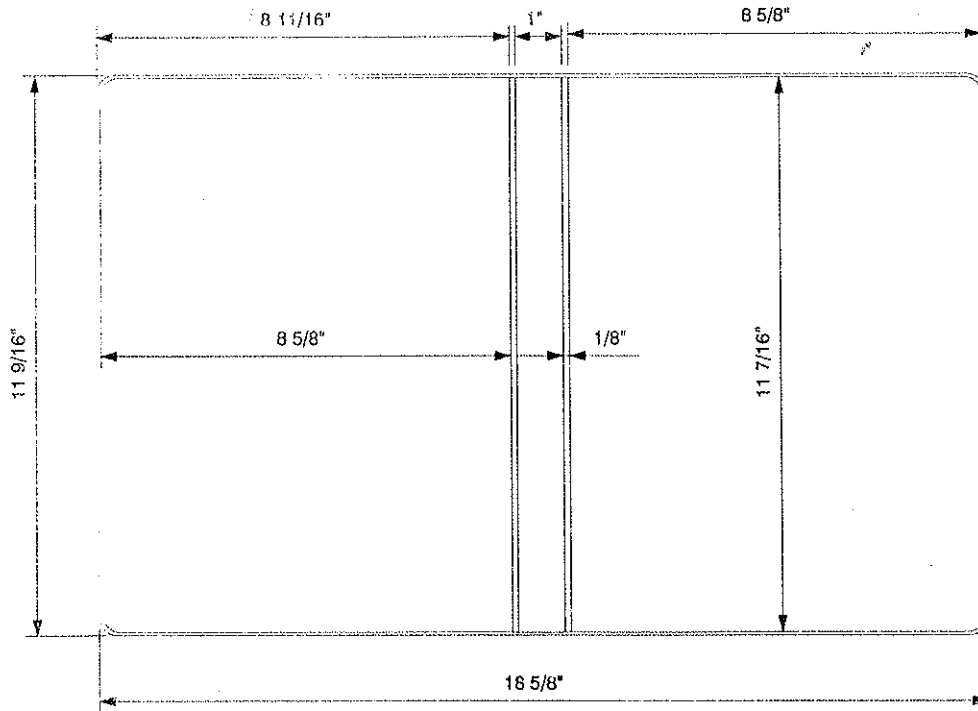
BOARD SPECS		GAUGE	PCS.	BOARD SPECS		GAUGE
F.C. BOARD	11 25/32 X 6 27/32	100	1	F.C. BOARD		
B.B. BOARD	11 25/32 X 27/32	100	1	B.B. BOARD		
B.C. BOARD	11 25/32 X 6 27/32	100	1	B.C. BOARD		
FLAP BD.	PADDED			DIE CUT		
BOARD				DIE CUT		

DIE #	6684	METAL	LOC	RADIUS	3/8"
ORDER #	232426	CUSTOMER	A.S. HOSPITALITY	TEAR SEAL	SPECIAL
SHEET SIZE	11.5 X 10.25	STYLE CASE	VINYL RING BINDER	BAR SEAL	48-4
CAP.	1"	DUE DATE	4-26-99	COMPLETED	
LOCATION	1-11-8	QUANTITY	4	DATE	4-22-99



MATERIAL SPECS		GAUGE	PCS.	MATERIAL SPECS		GAUGE			
COVER MAT.	13 X 25 3/4		1	LINING MAT.	12 3/4 X 25 1/2				
COVER MAT.				LINING MAT.					
DIE CUT				HORZ. PKT.					
COL				VERT. PKT.					
LABEL HOLDER				DIE CUT					
GUSSET				REINF.					
BOARD SPECS		5/16" R. CORNERS		GAUGE	PCS.	BOARD SPECS	5/16" R. CORNERS		GAUGE
F.C. BOARD	11 25/32 X 11 11/32	100	1	F.C. BOARD					
B.B. BOARD	11 25/32 X 1 11/32	100	1	B.B. BOARD					
B.C. BOARD	11 25/32 X 11 11/32	100	1	B.C. BOARD					
FLAP BD.	PADDED			DIE CUT					
BOARD				DIE CUT					

DIE #	6712-A	METAL	LOC	RADIUS	3/8"
ORDER #	239433	CUSTOMER	HOLIDAY INN	TEAR SEAL	.014
SHEET SIZE	11 X 7.5	STYLE CASE	VRB	BAR SEAL	253
CAP.	1/2"	DUE DATE	6-4-99	COMPLETED	
LOCATION	I-13-2	QUANTITY	300	DATE	5-21-99

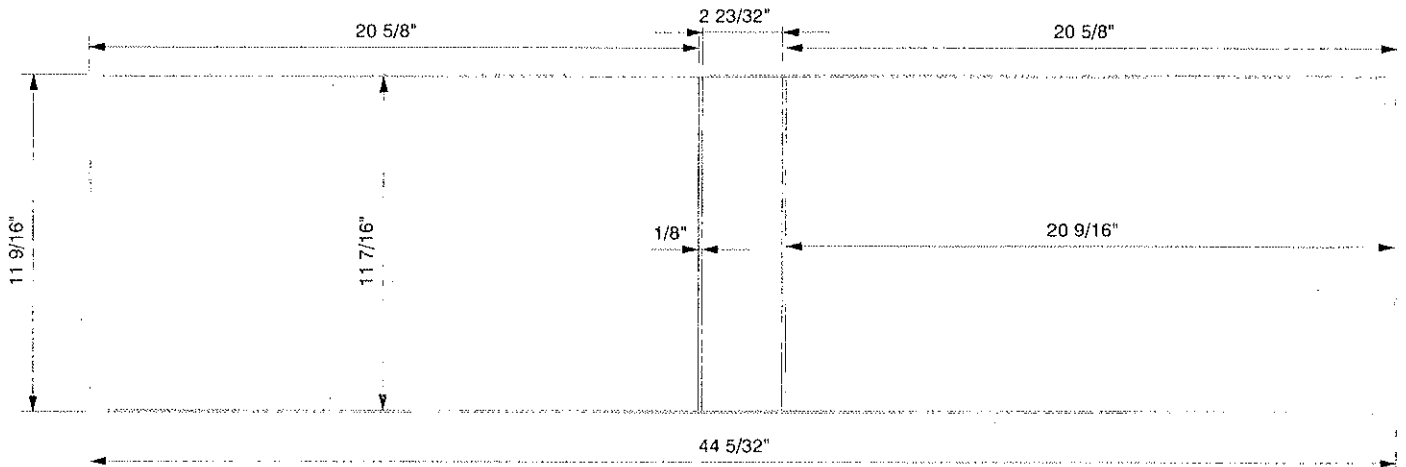


MATERIAL SPECS		GAUGE	PCS.	MATERIAL SPECS		GAUGE	PCS.
COVER MAT.	12 9/16 X 19 5/8		1	LINING MAT.	12 5/16 X 19 3/8		1
COVER MAT.				LINING MAT.			
DIE CUT				HORZ. PKT.	5 3/8 X 19 3/8		1
COL				VERT. PKT.			
LABEL HOLDER				DIE CUT			
GUSSET				REINF.			

BOARD SPECS		5/16" R. CORNERS	GAUGE	PCS.	BOARD SPECS		5/16" R. CORNERS	GAUGE	PCS.
F.C. BOARD					F.C. BOARD				
B.B. BOARD	11 11/32 X 29/32		100	1	B.B. BOARD				
B.C. BOARD	11 11/32 X 8 17/32		100	1	B.C. BOARD				
FLAP BD. 6712 B					DIE CUT				
BOARD Added	12 1/4 X 18 1/2				DIE CUT				

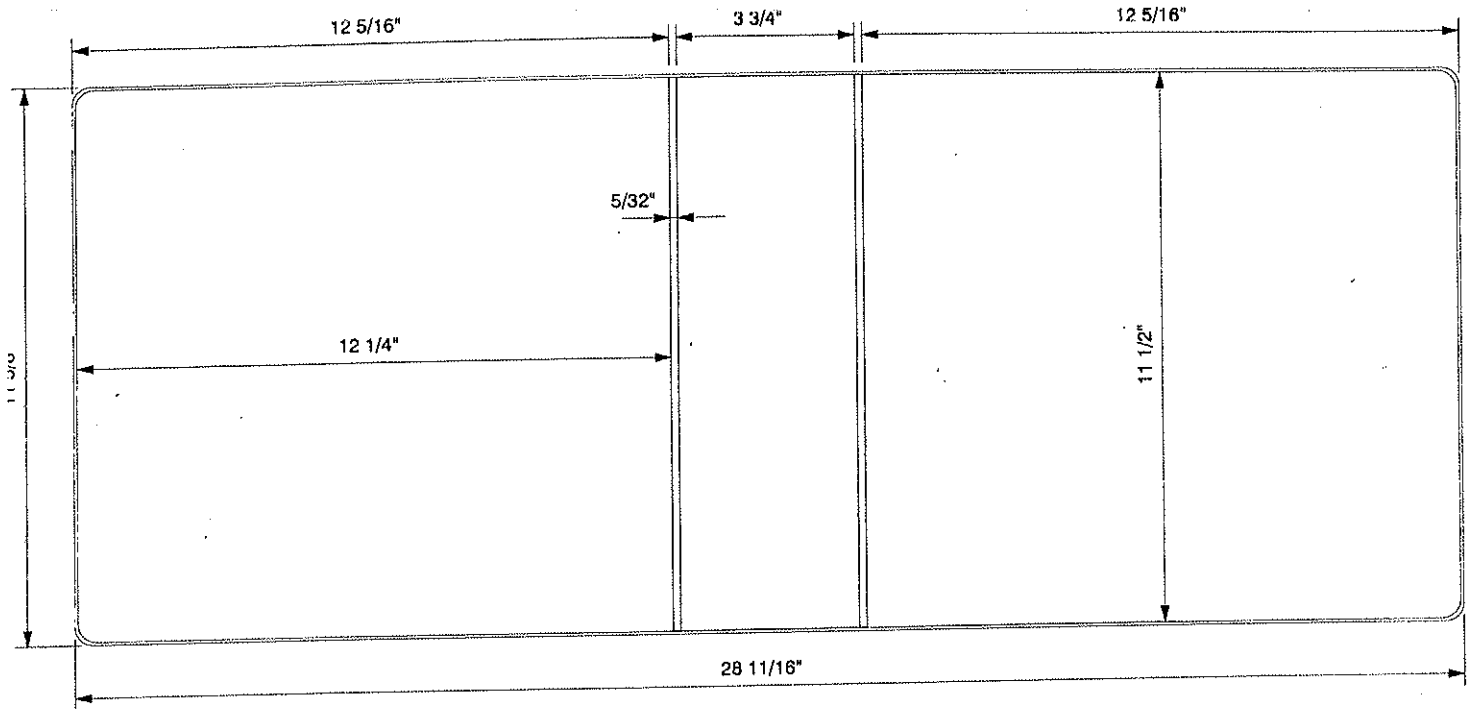
PER CUSTOMERS SPECS

DIE #	6771 A-B-R	METAL		RADIUS	3/8"
ORDER #	274503	CUSTOMER	LAKE INDUSTRIES	TEAR SEAL	.012
SHEET SIZE	11 X 18	STYLE CASE	VINYL BINDER	BAR SEAL	48-3
CAP.	2"	DUE DATE	9-30-99	COMPLETED	
LOCATION	H-9-5	QUANTITY	300	DATE	9-23-99



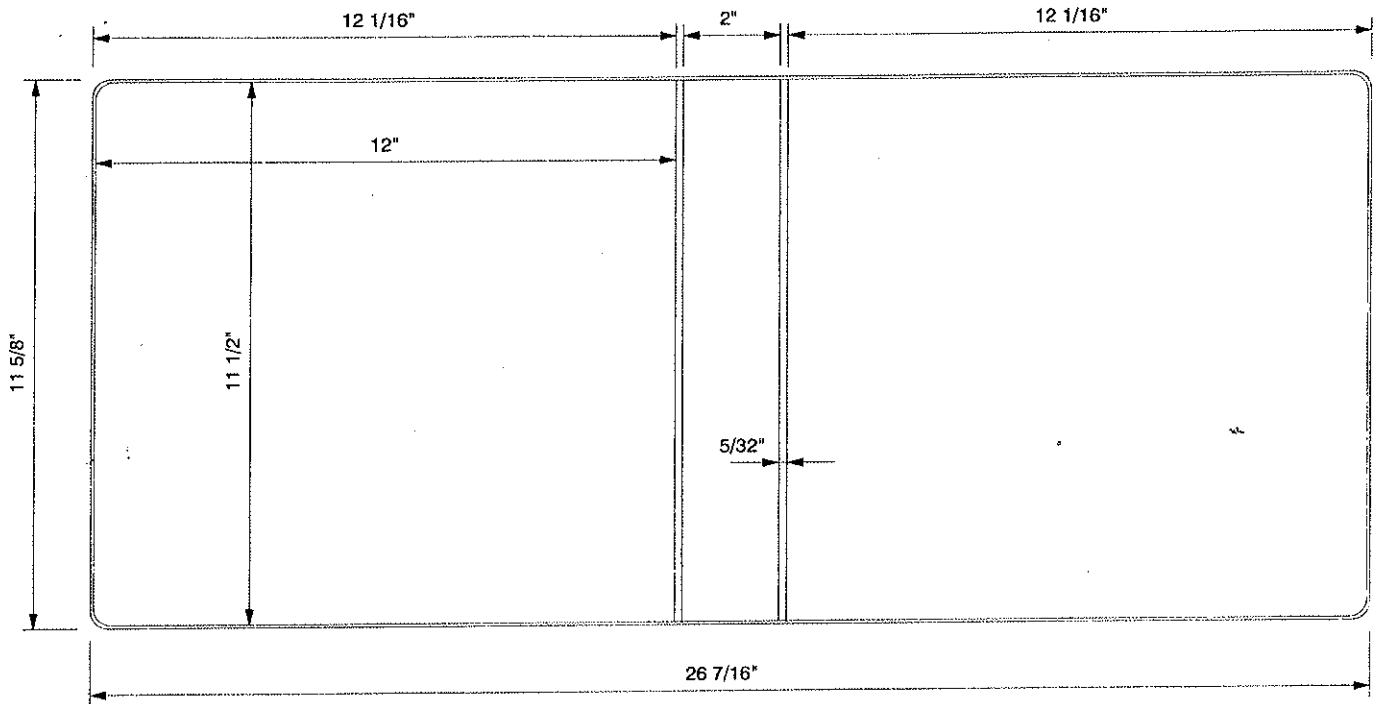
MATERIAL SPECS		GAUGE	PCS.	MATERIAL SPECS		GAUGE	PCS.
COVER MAT.	12 5/16 X 45		1	LINING MAT.	12 5/16 X 45		1
COVER MAT.				LINING MAT.			
DIE CUT				HORZ. PKT.			
COL Die Cut	12 5/16 X 43 3/4		1	VERT. PKT.			
COL				DIE CUT			
GUSSET				REINF. vinyl	12 5/16 x 4 1/2		
BOARD SPECS	5.16" R. CORNERS	GAUGE	PCS.	BOARD SPECS	5.16" R. CORNERS	GAUGE	PCS.
F.C. BOARD	11 3/8 X 20 1/2	120	1	F.C. BOARD			
B.B. BOARD	11 3/8 X 2 5/8	120	1	B.B. BOARD			
B.C. BOARD	11 3/8 X 20 1/2	120	1	B.C. BOARD			
FLAP BD.				DIE CUT			
BOARD				DIE CUT			

DIE #	6806	METAL	ANGLE D NB	RADIUS	3/8"
ORDER #	287865	CUSTOMER	AMERICAN WHOLESALE	TEAR SEAL	IMAGE SOURCE
SHEET SIZE	11 X 9 5/8	STYLE CASE	VINYL BINDER	BAR SEAL	IMAGE SOURCE
CAP.	3"	DUE DATE	11-29-99	COMPLETED	
LOCATION		QUANTITY	500	DATE	11-23-99



MATERIAL SPECS		GAUGE	PCS.	MATERIAL SPECS	GAUGE	PCS.	
COVER MAT.	12 1/4 X 29 1/2		1	LINING MAT.	12 1/4 X 29 1/2	1	
COVER MAT.				LINING MAT.			
DIE CUT				HORZ. PKT.			
COL	11 3/4 X 17 1/8		1	VERT. PKT.			
LABEL HOLDER				DIE CUT			
GUSSET				REINF.			
BOARD SPECS	5/16" R. CORNERS	GAUGE	PCS.	BOARD SPECS	5/16" R. CORNERS	GAUGE	PCS.
F.C. BOARD	11 7/16 X 12 3/16	120	1	F.C. BOARD			
B.B. BOARD	11 7/16 X 3 21/32	120	1	B.B. BOARD			
B.C. BOARD	11 7/16 X 12 3/16	120	1	B.C. BOARD			
FLAP BD.				DIE CUT			
BOARD				DIE CUT			

DIE #	6850-R	METAL	STRD	RADIUS	3/8"
ORDER #	309227	CUSTOMER	MAHARAM	TEAR SEAL	
SHEET SIZE	11 X 9	STYLE CASE	4351 W/2" SPINE	BAR SEAL	48-4
CAP.	1 1/2"	DUE DATE	3-1-00	COMPLETED	
LOCATION		QUANTITY	8250	DATE	1-28-00

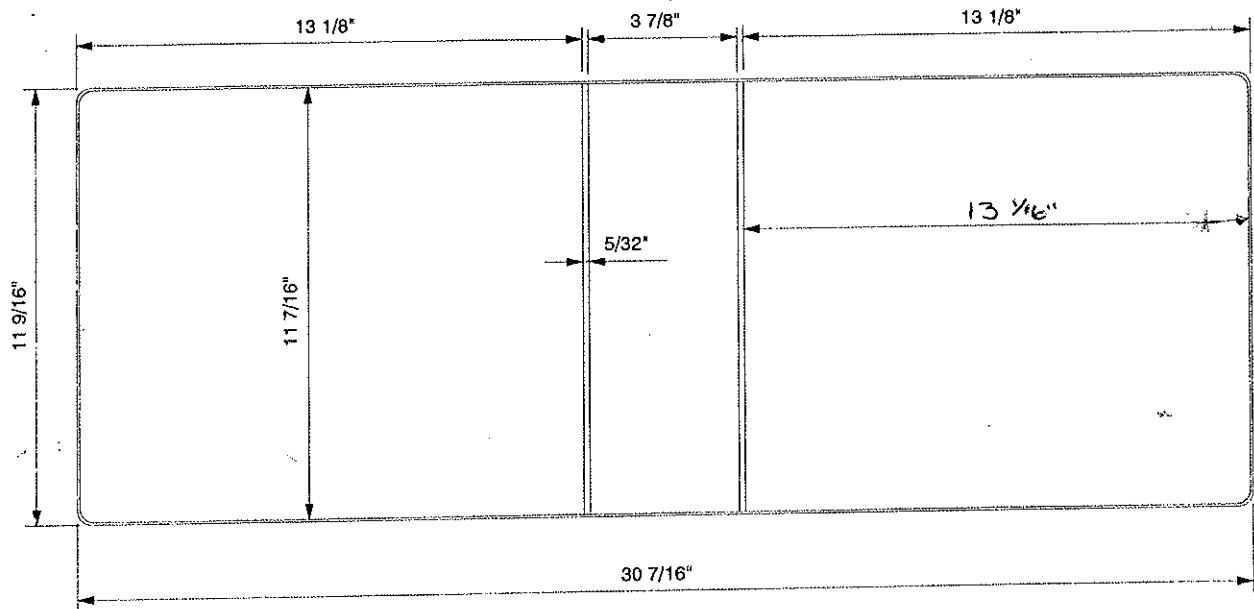


MATERIAL SPECS		GAUGE	PCS.	MATERIAL SPECS		GAUGE	PCS.
COVER MAT.	12 5/16 X 27 3/16		1	LINING MAT.	12 5/16 X 27 3/16		1
COVER MAT.				LINING MAT.			
DIE CUT				HORZ. PKT.	7 15/16 X 12 1/2		1
COL				VERT. PKT.			
LABEL HOLDER				DIE CUT			
GUSSET				REINF.			

BOARD SPECS		GAUGE	PCS.	BOARD SPECS		GAUGE	PCS.
	5/16" R. CORNERS				5/16" R. CORNERS		
F.C. BOARD	11 7/16 X 11 7/8		1	F.C. BOARD			
B.B. BOARD	11 7/16 X 1 29/32		1	B.B. BOARD			
B.C. BOARD	11 7/16 X 11 7/8		1	B.C. BOARD			
FLAP BD.				DIE CUT			
BOARD -				DIE CUT			

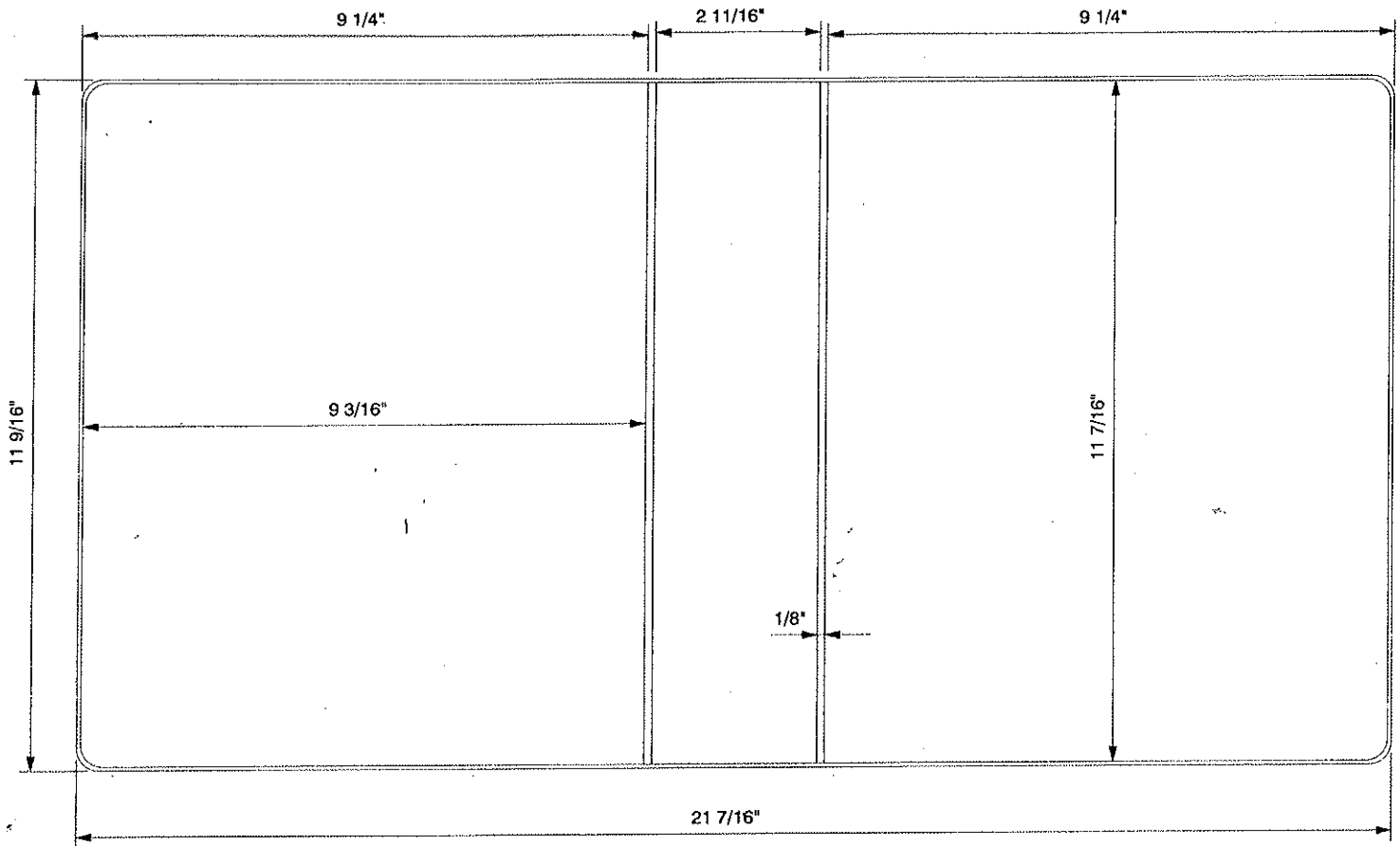


DIE #	6868	METAL	ANGLE D	RADIUS	3/8"
ORDER #	315871	CUSTOMER	PRINT PROMOTIONS	TEAR SEAL	.012
SHEET SIZE	11 X 9.75	STYLE CASE	VINYL BINDER	BAR SEAL	48-4
CAP.	3"	DUE DATE	3-3-00	COMPLETED	
LOCATION		QUANTITY	200	DATE	2-22-00



MATERIAL SPECS		GAUGE	PCS.	MATERIAL SPECS	GAUGE	PCS.				
COVER MAT.	12 5/16 X 31 3/16		1	LINING MAT.	12 5/16 X 31 3/16	1				
COVER MAT.				LINING MAT.						
DIE CUT				HORZ. PKT.						
COL				VERT. PKT.						
LABEL HOLDER				DIE CUT						
GUSSET				REINF.						
BOARD SPECS		5/16" R. CORNERS		GAUGE	PCS.	BOARD SPECS	5/16" R. CORNERS		GAUGE	PCS.
F.C. BOARD	11 3/8 X	13	120	1		F.C. BOARD				
B.B. BOARD	11 3/8 X	3 25/32	120	1		B.B. BOARD				
B.C. BOARD	11 3/8 X	13	120	1		B.C. BOARD				
FLAP BD.						DIE CUT				
BOARD -						DIE CUT				

DIE #	6875	METAL	HOC	RADIUS	3/8"
ORDER #	320231	CUSTOMER	VON HOFFMAN GRAPHICS	TEAR SEAL	.012
SHEET SIZE	11 X 7	STYLE CASE	VINYL RING BINDER	BAR SEAL	253
CAP.	2"	DUE DATE	3-16-00	COMPLETED	
LOCATION		QUANTITY	300	DATE	3-8-00

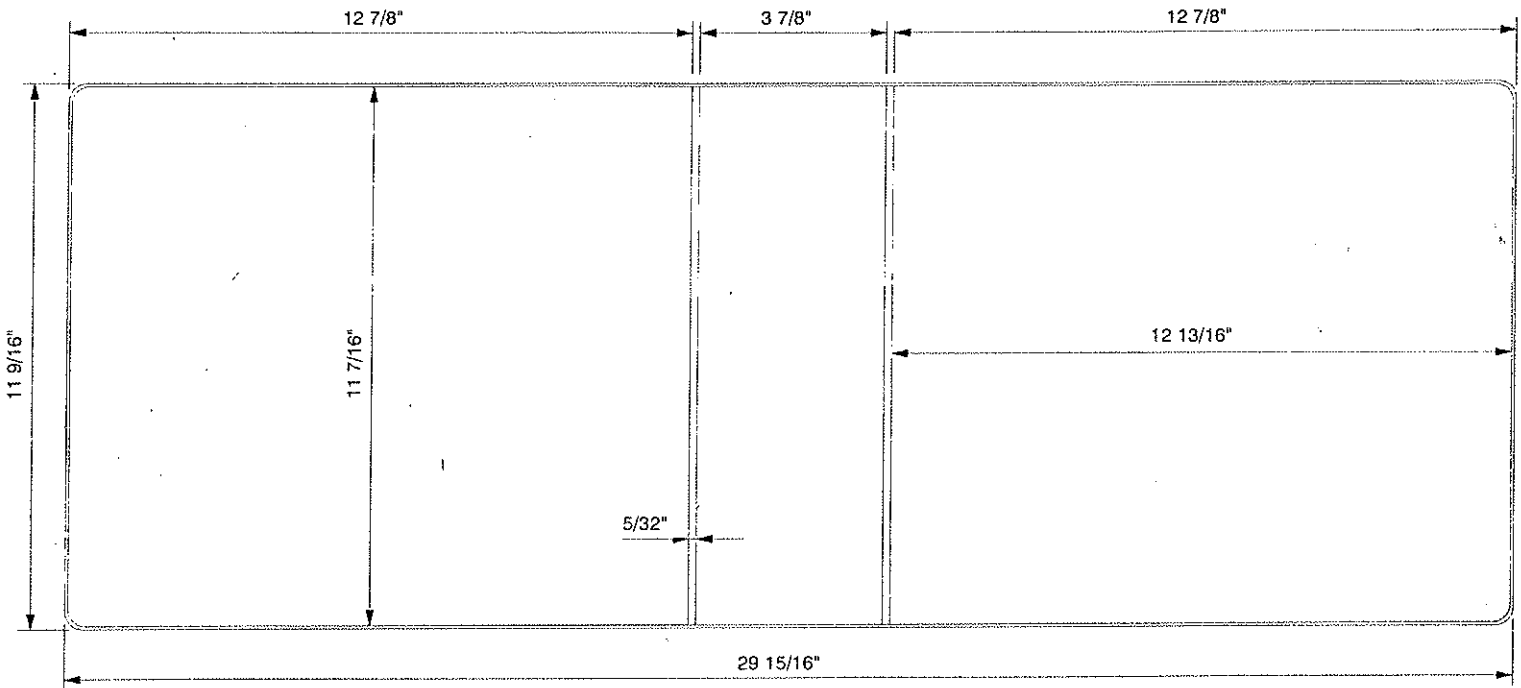


MATERIAL SPECS		GAUGE	PCS.	MATERIAL SPECS		GAUGE	PCS.
COVER MAT.	12 5/16 X 22 3/16		1	LINING MAT.	12 5/16 X 22 3/16		1
PICTORIAL	12 5/16 X 22 3/16		1	LINING MAT.			
DIE CUT				HORZ. PKT.	4 7/8 X 22 3/16		1
COL				VERT. PKT.			
LABEL HOLDER				DIE CUT			
GUSSET				REINF.			

BOARD SPECS		5/16" R. CORNERS		GAUGE	PCS.	BOARD SPECS		5/16" R. CORNERS		GAUGE	PCS.
F.C. BOARD	11 3/8 X 9 1/8	120	1	F.C. BOARD							
B.B. BOARD	11 3/8 X 2 19/32	120	1	B.B. BOARD							
B.C. BOARD	11 3/8 X 9 1/8	120	1	B.C. BOARD							
FLAP BD.				DIE CUT							
BOARD	11 1/32 X 2 9/16	35	1	DIE CUT							

*Special Size*

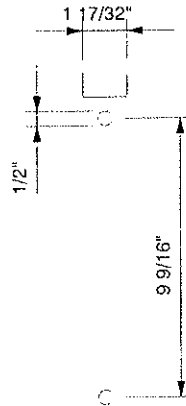
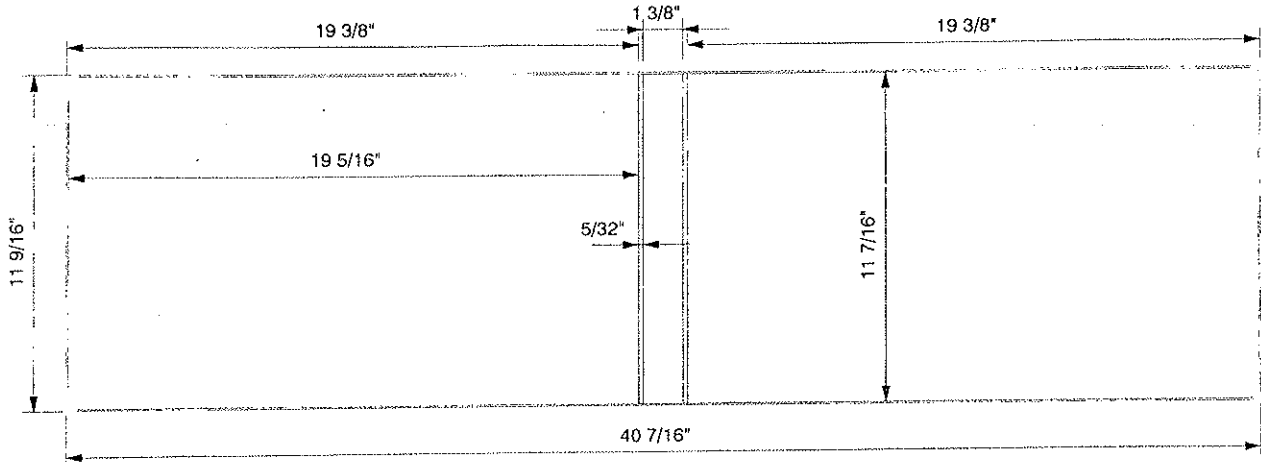
DIE #	6904	METAL	AD W/B	RADIUS	3/8"
ORDER #	334692	CUSTOMER	LESLIE ADVERTISING	TEAR SEAL	.010
SHEET SIZE	11 X 9.5	STYLE CASE	VINYL BINDER	BAR SEAL	48-4
CAP.	3"	DUE DATE	5-9-00	COMPLETED	
LOCATION		QUANTITY	25	DATE	5-1-00



MATERIAL SPECS		GAUGE	PCS.	MATERIAL SPECS		GAUGE	PCS.
COVER MAT.	12 5/16 X 30 11/16		1	LINING MAT.	12 5/16 X 30 11/16		1
COVER MAT.				LINING MAT.			
DIE CUT				HORZ. PKT.			
COL				VERT. PKT.			
LABEL HOLDER				DIE CUT			
GUSSET				REINF.			
BOARD SPECS	5/16" R. CORNERS			BOARD SPECS	5/16" R. CORNERS		
F.C. BOARD	11 3/8 X 12 3/4	120	1	F.C. BOARD			
B.B. BOARD	11 3/8 X 3 25/32	120	1	B.B. BOARD			
B.C. BOARD	11 3/8 X 12 3/4	120	1	B.C. BOARD			
FLAP BD.				DIE CUT			
BOARD				DIE CUT			

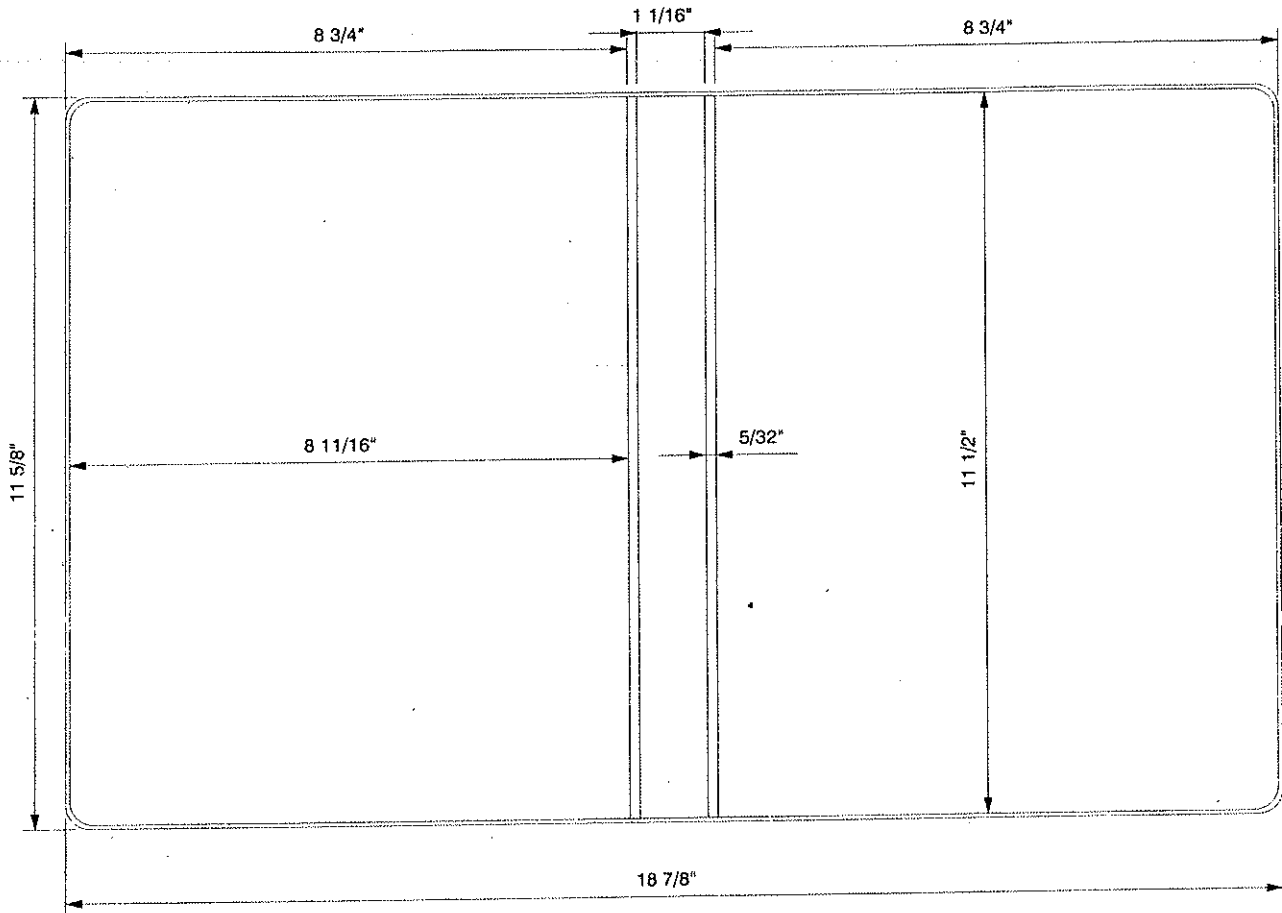
PER CUSTOMER SPECS

DIE #	6905 A-B-R	METAL	RADIUS	3/8"	
ORDER #	332136	CUSTOMER	LAKE INDUSTRIES	TEAR SEAL	.012
SHEET SIZE	11 X 18	STYLE CASE	VINYL BINDER	BAR SEAL	48-4
CAP.	1"	DUE DATE	5-12-00	COMPLETED	
LOCATION		QUANTITY	500	DATE	5-3-00



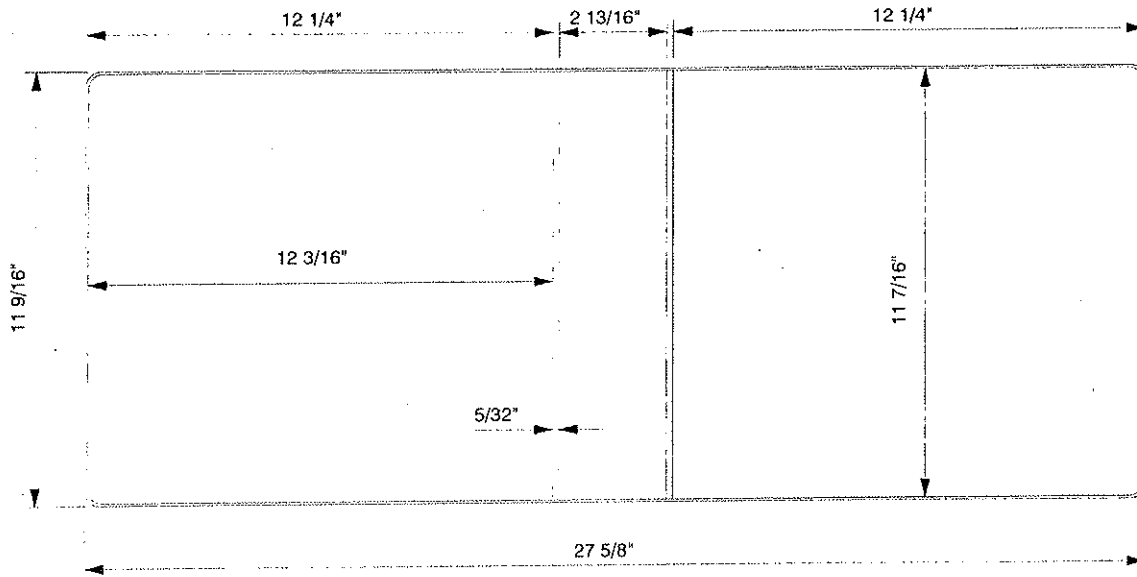
MATERIAL SPECS		GAUGE	PCS.	MATERIAL SPECS		GAUGE	PCS.
COVER MAT.	12 5/16 X 41 3/16		1	LINING MAT.	12 5/16 X 41 3/16		1
COVER MAT.				LINING MAT.			
DIE CUT				HORZ. PKT.			
COL	12 5/16 X 39 15/16		1	VERT. PKT.			
COL				DIE CUT			
GUSSET				REINF.			
BOARD SPECS		GAUGE	PCS.	BOARD SPECS		GAUGE	PCS.
F.C. BOARD	5/16" R. CORNERS 11 3/8 X 19 1/4	120	1	F.C. BOARD			
B.B. BOARD	11 3/8 X 1 9/32	120	1	B.B. BOARD			
B.C. BOARD	11 3/8 X 19 1/4	120	1	B.C. BOARD			
FLAP BD.				DIE CUT			
BOARD				DIE CUT			

DIE #	6931-A	METAL	PERFORMORE LOC	RADIUS	3/8"
ORDER #	341796	CUSTOMER	GRAND CASINO	TEAR SEAL	.010
SHEET SIZE	11 X 8	STYLE CASE	VINYL RING BINDER	BAR SEAL	48-4
CAP.	3/4"	DUE DATE	6-16-00	COMPLETED	
LOCATION		QUANTITY	750	DATE	6-5-00



MATERIAL SPECS		GAUGE	PCS.	MATERIAL SPECS		GAUGE	PCS.
COVER MAT.	12 5/8 X 19 7/8		1	LINING MAT.	12 3/8 X 19 5/8		1
COVER MAT.				LINING MAT.			
DIE CUT				HORZ. PKT.	5 3/8 X 19 5/8		1
COL				VERT. PKT.			
LABEL HOLDER				DIE CUT			
GUSSET				REINF.			
BOARD SPECS		GAUGE	PCS.	BOARD SPECS		GAUGE	PCS.
F.C. BOARD	5/16" R. CORNERS PADDED BOARD DIECUT 6931-B			F.C. BOARD			
B.B. BOARD	13 7/8 X 18 11/16			B.B. BOARD			
B.C. BOARD	FC - BB - BC			B.C. BOARD			
FLAP BD.				DIE CUT			
BOARD				DIE CUT			

DIE #	6966	METAL	ANGLE D	RADIUS	3/8
ORDER #	360786	CUSTOMER	ODEN & ASSOCIATES	TEAR SEAL	BLIND
SHEET SIZE	11 X 9 3/4	STYLE CASE	VINYL RING BINDER	BAR SEAL	484
CAP.	2"	DUE DATE	8-23-00	COMPLETED	
LOCATION		QUANTITY	100	DATE	

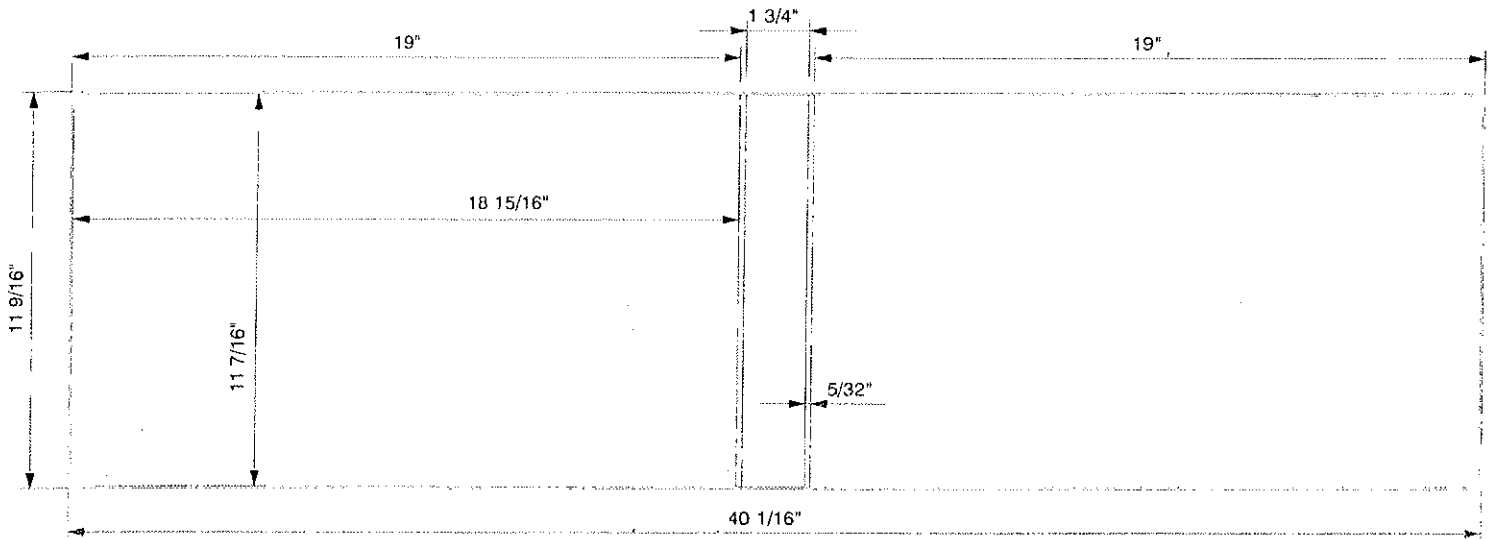


MATERIAL SPECS		GAUGE	PCS.	MATERIAL SPECS		GAUGE	PCS.
COVER MAT.	12 1/4 X 28 3/8		1	LINING MAT.	12 1/4 X 28 3/8		1
PICTORIAL				LINING MAT.			
PADDED				HORZ. PKT.			
COL				HORZ. PKT.			
EX COL NO TRIM				ONE SIDED			
EX COL				ONE SIDED			

NORMAL 1/16" TOL		5/16" R. CORNERS	PCS.	BOARD TOL. (3/32")	5/16" R. CORNERS	PCS.
F.C. BOARD	11 3/8 X 12 1/8		1	F.C. BOARD		
B.B. BOARD	11 3/8 X 2 23/32		1	B.B. BOARD		
B.C. BOARD	11 3/8 X 12 1/8		1	B.C. BOARD		
FLAP BD.				DIE CUT		

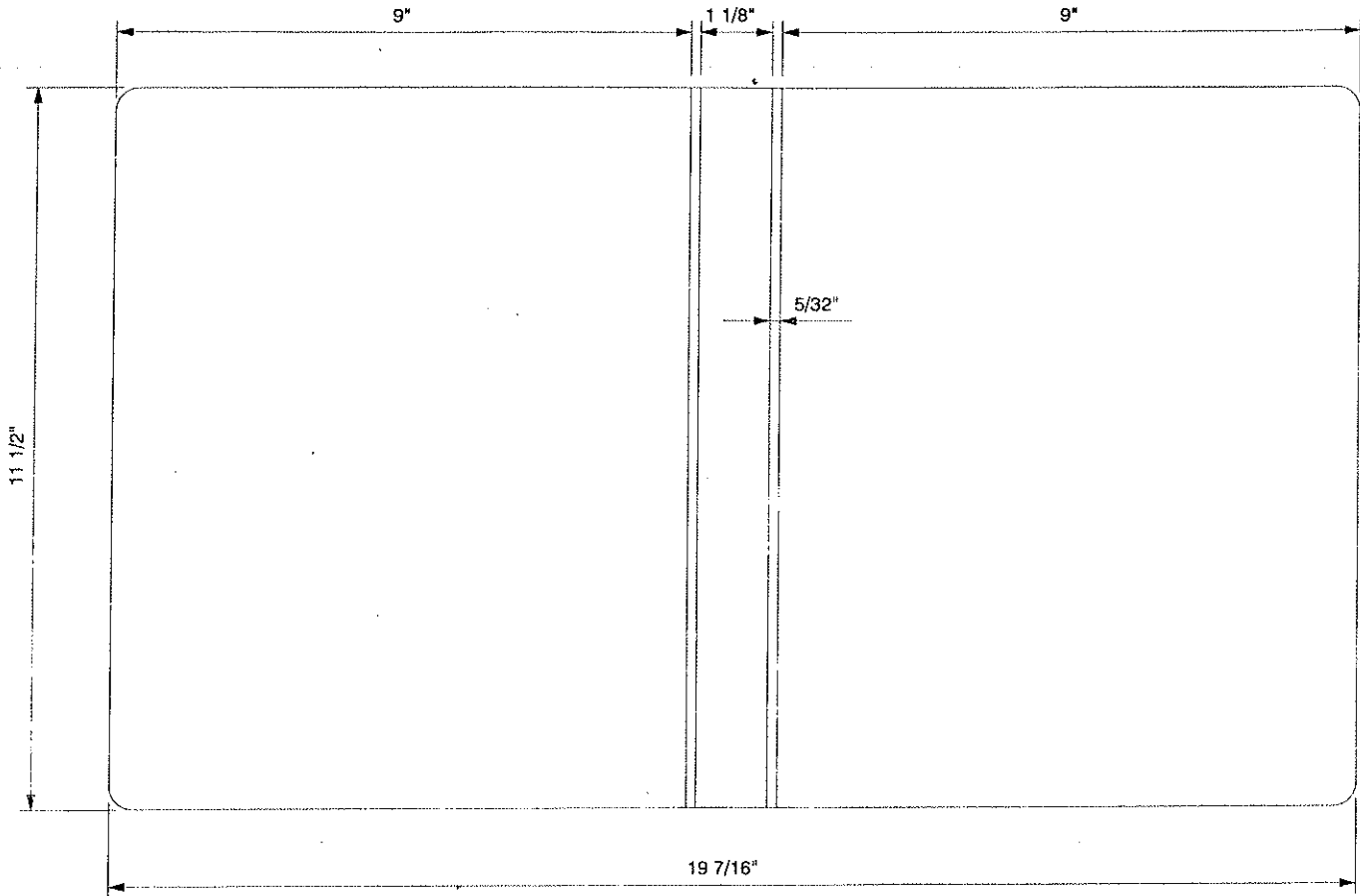
Stock

DIE #	7001	METAL	LOC	RADIUS	3/8"
ORDER #	381624	CUSTOMER	ANHEUSER-BUSCH	TEAR SEAL	.012
SHEET SIZE	11 X 17.5	STYLE CASE	VINYL BINDER	BAR SEAL	48-4
CAP.	1 1/4"	DUE DATE	10-27-00	COMPLETED	
LOCATION		QUANTITY	25	DATE	10-19-00



MATERIAL SPECS		GAUGE	PCS.	MATERIAL SPECS		GAUGE	PCS.
COVER MAT.	12 9/16 X 41 1/16		1	LINING MAT.	12 5/16 X 40 13/16		1
COVER MAT.				LINING MAT.			
DIE CUT				HORZ. PKT.			
COL				VERT. PKT.			
LABEL HOLDER	3 3/8 X 2 1/16		1	DIE CUT			
GUSSET				REINF.	11 3/8 X 3	SCRIM	1
BOARD SPECS		GAUGE	PCS.	BOARD SPECS		GAUGE	PCS.
5/16" R. CORNERS				5/16" R. CORNERS			
F.C. BOARD	11 11/32 X 18 27/32	135	1	F.C. BOARD			
B.B. BOARD	11 11/32 X 1 21/32	100	1	B.B. BOARD			
B.C. BOARD	11 11/32 X 18 27/32	135	1	B.C. BOARD			
FLAP BD.				DIE CUT			
BOARD	11 5/16 X 1 5/8	100	1	DIE CUT			

DIE #	7022	METAL	LOC	RADIUS	3/8"
ORDER #	388851	CUSTOMER	PROFORMA DIAMOND	TEAR SEAL	BLIND
SHEET SIZE	11 X 8	STYLE CASE	VRB W/BLIND EDGE	BAR SEAL	48-4
CAP.	3/4"	DUE DATE	11-27-00	COMPLETED	
LOCATION		QUANTITY	575	DATE	11-21-00



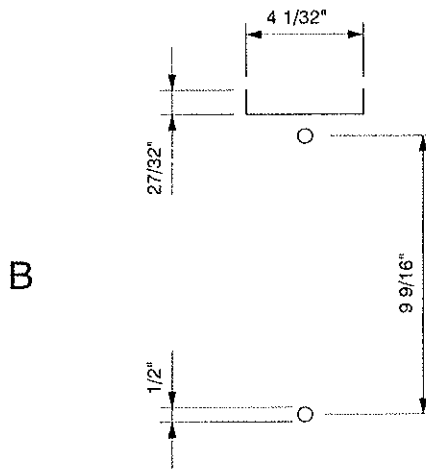
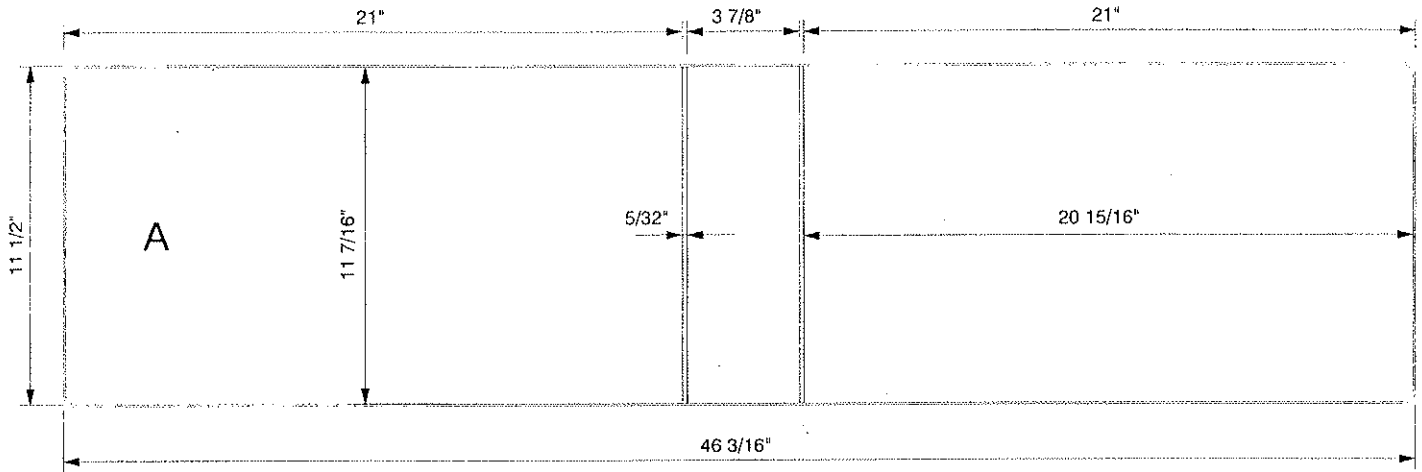
MATERIAL SPECS		GAUGE	PCS.	MATERIAL SPECS		GAUGE	PCS.
COVER MAT.	12 1/4 X 20 1/4		1	LINING MAT.	12 1/4 X 20 1/4		1
COVER MAT.				LINING MAT.			
DIE CUT				HORZ. PKT.	5 3/8 X 9 1/2		1
COL				VERT. PKT.			
LABEL HOLDER				DIE CUT			
GUSSET				REINF.			

BOARD SPECS		5/16" R. CORNERS		GAUGE	PCS.	BOARD SPECS		5/16" R. CORNERS		GAUGE	PCS.
F.C. BOARD	11 7/16 X 8 15/16	100	1	F.C. BOARD							
B.B. BOARD	11 7/16 X 1 1/32	100	1	B.B. BOARD							
B.C. BOARD	11 7/16 X 8 15/16	100	1	B.C. BOARD							
FLAP BD.				DIE CUT							
BOARD				DIE CUT							

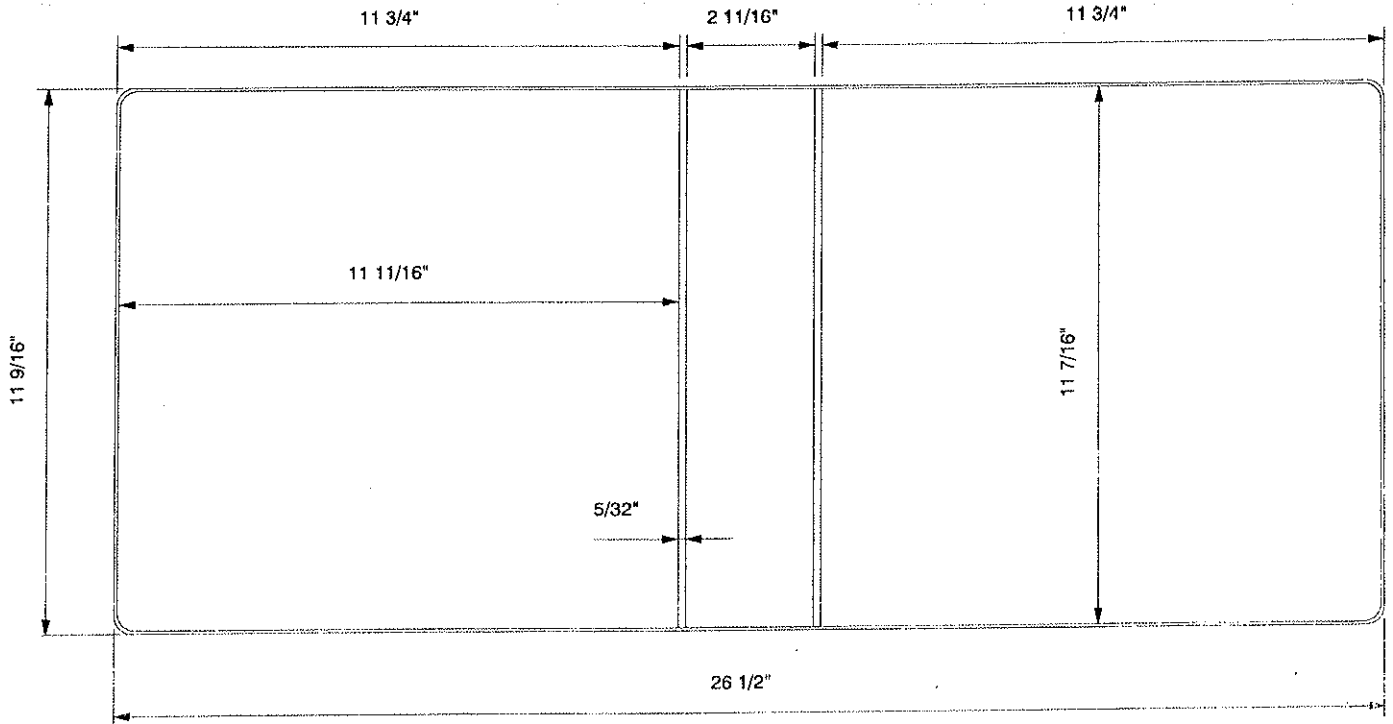


DIE #	7030-A-B	METAL	WILL HOLD RR OR AD	RADIUS	3/8"
ORDER #	392753	CUSTOMER	LAKE INDUSTRIES	TEAR SEAL	.012
SHEET SIZE	11 X 18	STYLE CASE	VINYL RING BINDER	BAR SEAL	48-4
CAP.	3"	DUE DATE	12-28-00	COMPLETED	
LOCATION		QUANTITY	500	DATE	12-7-00



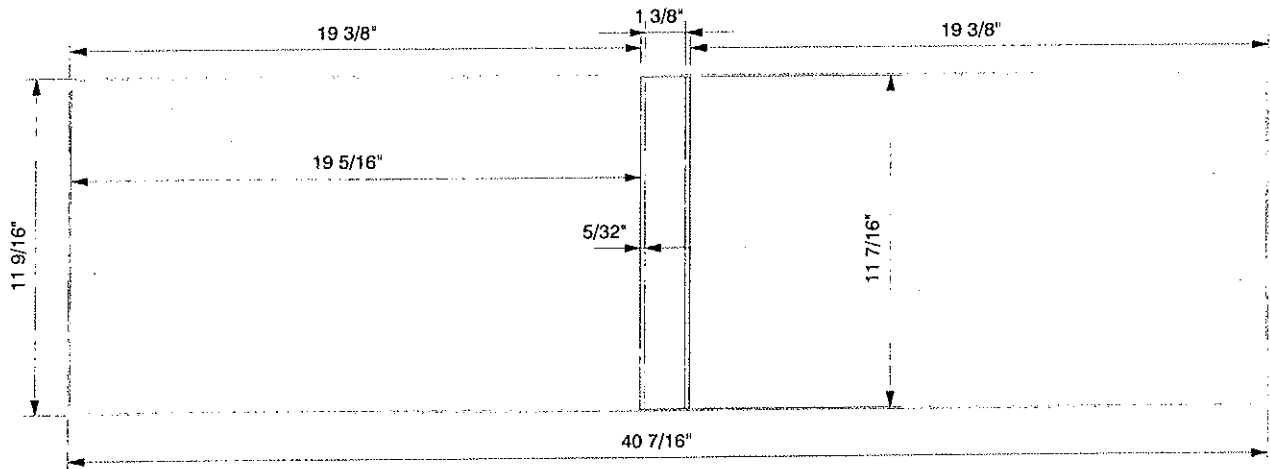
MATERIAL SPECS		GAUGE	PCS.	MATERIAL SPECS		GAUGE	PCS.				
COVER MAT.	12 1/4 X 47		1	LINING MAT.	12 1/4 X 47		1				
COVER MAT.				LINING MAT.							
DIE CUT				HORZ. PKT.							
COL <i>Die Cut</i>	12 5/16 X 45 11/16		1	VERT. PKT.							
LABEL HOLDER				DIE CUT							
GUSSET				REINF.	11 5/16 X 6	SCRM	1				
BOARD SPECS		5/16" R. CORNERS		GAUGE	PCS.	BOARD SPECS		5/16" R. CORNERS		GAUGE	PCS.
F.C. BOARD	11 11/32 X 20 27/32	135	1	F.C. BOARD							
B.B. BOARD	11 11/32 X 3 25/32	135	1	B.B. BOARD							
B.C. BOARD	11 11/32 X 20 27/32	135	1	B.C. BOARD							
FLAP BD.				DIE CUT							
BOARD				DIE CUT							

DIE #	7039	METAL	HOC	RADIUS	3/8"
ORDER #	396877	CUSTOMER	HUNTER FAN	TEAR SEAL	.012
SHEET SIZE	11 X 9 5/8	STYLE CASE	VINYL RING BINDER	BAR SEAL	48-4
CAP.	2"	DUE DATE	1-5-01	COMPLETED	
LOCATION		QUANTITY	575	DATE	12-27-00



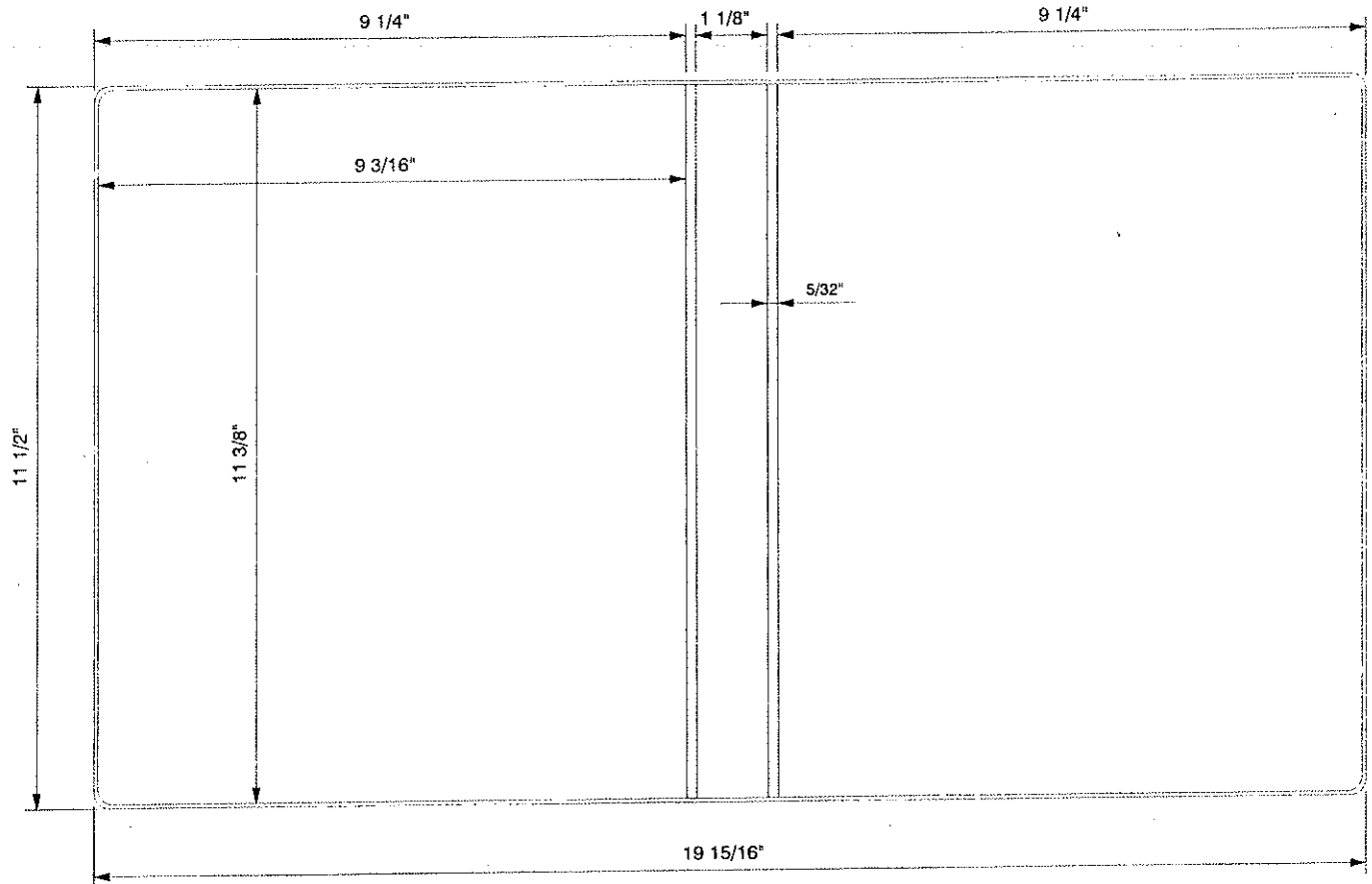
MATERIAL SPECS		GAUGE	PCS.	MATERIAL SPECS		GAUGE	PCS.				
COVER MAT.	12 5/16 X 27 1/4		1	LINING MAT.	12 5/16 X 27 1/4		1				
COVER MAT.				LINING MAT.							
DIE CUT				HORZ. PKT.	5 3/8 X 27 1/4		1				
COL	11 11/16 X 15 1/8		1	VERT. PKT.							
LABEL HOLDER				DIE CUT							
GUSSET				REINF.							
BOARD SPECS		5/16" R. CORNERS		GAUGE	PCS.	BOARD SPECS		5/16" R. CORNERS		GAUGE	PCS.
F.C. BOARD	11 3/8 X 11 5/8	120	1	F.C. BOARD							
B.B. BOARD	11 3/8 X 2 19/32	120	1	B.B. BOARD							
B.C. BOARD	11 3/8 X 11 5/8	120	1	B.C. BOARD							
FLAP BD.				DIE CUT							
BOARD				DIE CUT							

DIE #	7087	METAL		RADIUS	3/8"
ORDER #		CUSTOMER	11 X 17 inc	TEAR SEAL	.012
SHEET SIZE	11 X 18	STYLE CASE	VINYL BINDER	BAR SEAL	IMAGESOURCE
CAP.	1"	DUE DATE		COMPLETED	
LOCATION		QUANTITY		DATE	4-11-01



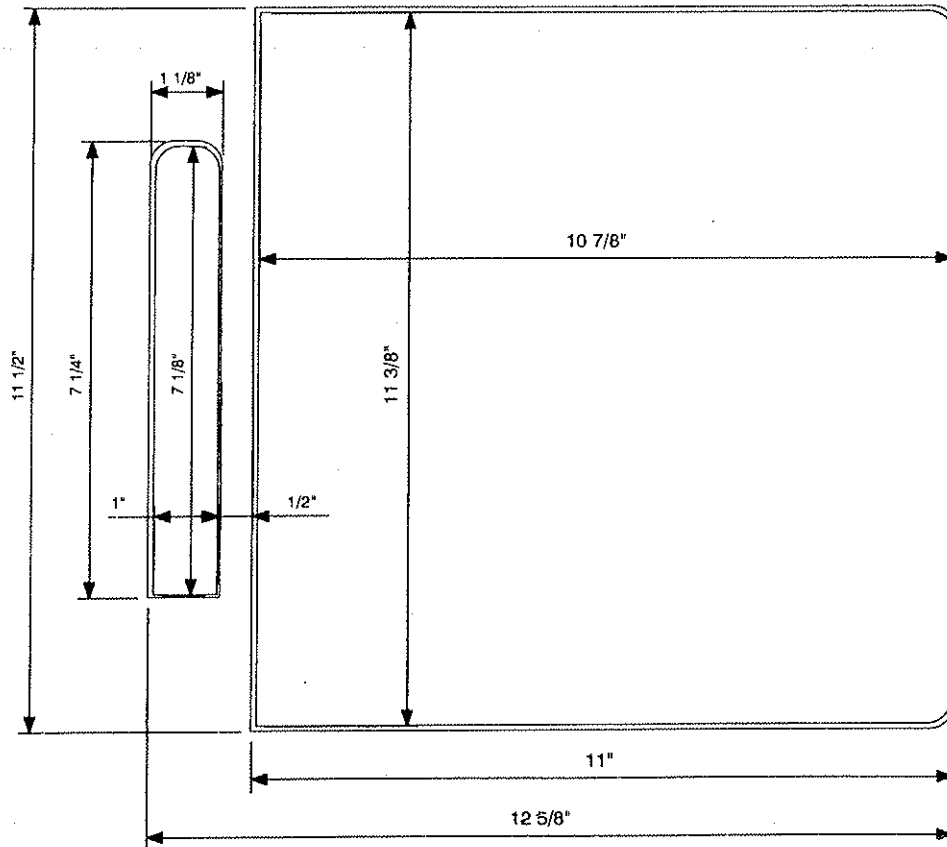
MATERIAL SPECS		GAUGE	PCS.	MATERIAL SPECS		GAUGE	PCS.
COVER MAT.	12 5/16 X 41 3/16		1	LINING MAT.	12 5/16 X 41 3/16		1
COVER MAT.				LINING MAT.	12 5/16 X 2 5/8		1
DIE CUT				HORZ. PKT.			
COL				VERT. PKT.			
COL				DIE CUT			
GUSSET				REINF.			
BOARD SPECS		GAUGE	PCS.	BOARD SPECS		GAUGE	PCS.
F.C. BOARD	11 3/8 X 19 1/4	120	1	F.C. BOARD			
B.B. BOARD	11 3/8 X 1 9/32	120	1	B.B. BOARD			
B.C. BOARD	11 3/8 X 19 1/4	120	1	B.C. BOARD			
FLAP BD.				DIE CUT			
BOARD				DIE CUT			

DIE #	7103	METAL	LOC	RADIUS	1/4"
ORDER #	431311	CUSTOMER	CREATIVE CONCEPTS	TEAR SEAL	.014
SHEET SIZE	11 X 8 1/8	STYLE CASE	VINYL BINDER	BAR SEAL	48-4
CAP.	3/4"	DUE DATE	6-12-01	COMPLETED	
LOCATION		QUANTITY	250	DATE	6-1-01



MATERIAL SPECS		GAUGE	PCS.	MATERIAL SPECS		GAUGE	PCS.				
COVER MAT.	12 1/2 X 21		1	LINING MAT.	12 1/4 X 20 3/4		1				
COVER MAT.				LINING MAT.							
DIE CUT				HORZ. PKT.	4 7/8 X 9 3/4		1				
COL				VERT. PKT.							
LABEL HOLDER				DIE CUT							
GUSSET				REINF.							
BOARD SPECS		5/16" R. CORNERS		GAUGE	PCS.	BOARD SPECS		5/16" R. CORNERS		GAUGE	PCS.
F.C. BOARD	11 9/32 X 9 3/32	100	1	F.C. BOARD							
B.B. BOARD	11 9/32 X 1 1/32	100	1	B.B. BOARD							
B.C. BOARD	11 9/32 X 9 3/32	100	1	B.C. BOARD							
FLAP BD.				DIE CUT							
BOARD				DIE CUT							

DIE #	7198-A	METAL	RR LOC	RADIUS	3/8"
ORDER #	471697	CUSTOMER	PHARMACIA	TEAR SEAL	.010
SHEET SIZE	11 X 9 1/2	STYLE CASE	VINYL FC FOR EURO BINDER	BAR SEAL	
CAP.	2"	DUE DATE	1-22-02	COMPLETED	
LOCATION		QUANTITY	600	DATE	1-2-02

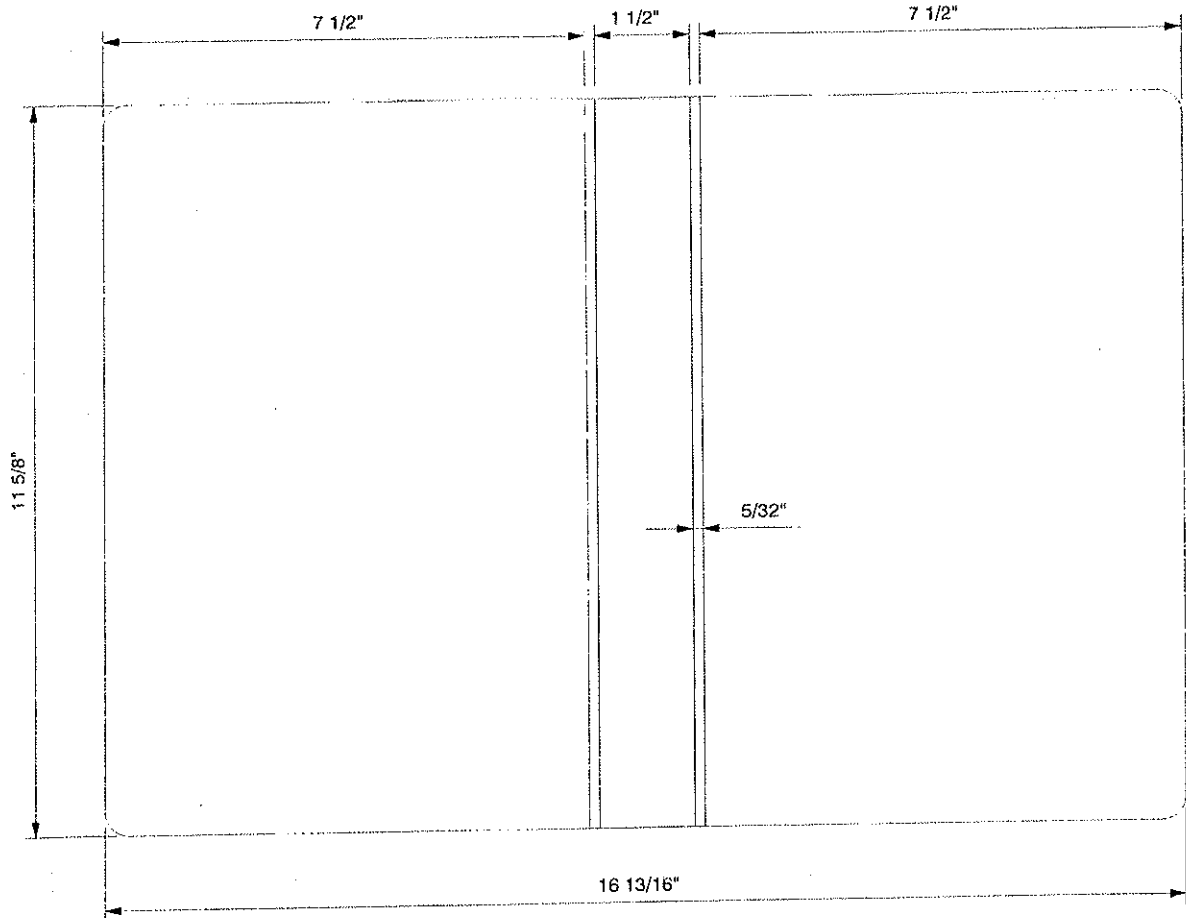


MATERIAL SPECS		GAUGE	PCS.	MATERIAL SPECS		GAUGE	PCS.
COVER MAT.	12 1/2 X 13 5/8		1	LINING MAT.	12 1/4 X 13 3/8		1
COVER MAT.				LINING MAT.			
DIE CUT				HORZ. PKT.	5 3/8 x 11 3/8		
COL				VERT. PKT.			
LABEL HOLDER				DIE CUT			
GUSSET				REINF.			

BOARD SPECS	5/16" R. CORNERS	GAUGE	PCS.	BOARD SPECS	5/16" R. CORNERS	GAUGE	PCS.
F.C. BOARD	11 9/32 X 10 25/32	120	1	F.C. BOARD			
B.B. BOARD				B.B. BOARD			
B.C. BOARD				B.C. BOARD			
FLAP BD.				DIE CUT			
BOARD				DIE CUT			

matched Sample

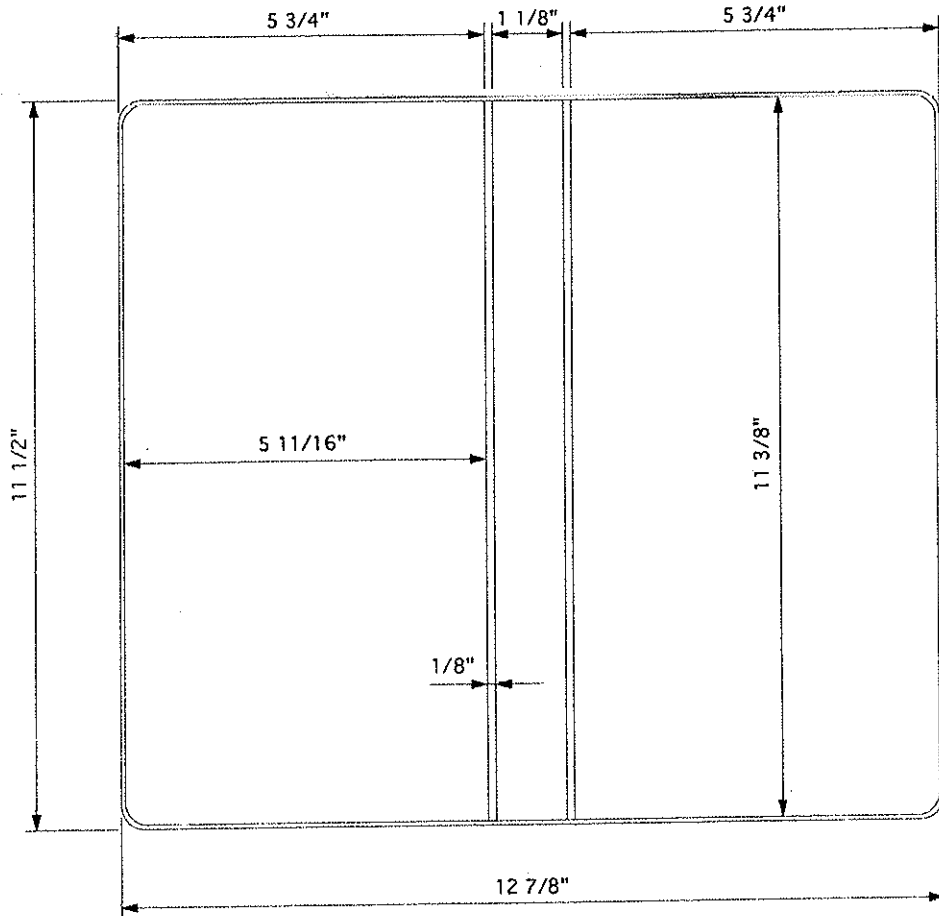
DIE #	7237	METAL	FR	RADIUS	3/8'
ORDER #	487349	CUSTOMER	DAVIDSON INTERNATIONAL	TEAR SEAL	BLIND
SHEET SIZE	11 X 7 1/2	STYLE CASE	VRB	BAR SEAL	48-4
CAP.	1"	DUE DATE	4-9-02	COMPLETED	
LOCATION		QUANTITY	1200	DATE	4-1-02



MATERIAL SPECS		GAUGE	PCS.	MATERIAL SPECS		GAUGE
COVER MAT.	12 3/8 X 17 1/2		1	LINING MAT.	12 3/8 X 17 1/2	
COVER MAT.				LINING MAT.		
DIE CUT				HORZ. PKT.	11 5/8 X 17 1/2	
COL				VERT. PKT.		
LABEL HOLDER				DIE CUT		
GUSSET				REINF.		

BOARD SPECS	5/16" R. CORNERS	GAUGE	PCS.	BOARD SPECS	5/16" R. CORNERS	GAUGE
F.C. BOARD	11 9/16 X 7 7/16	100	1	F.C. BOARD		
B.B. BOARD	11 9/16 X 1 13/32	100	1	B.B. BOARD		
B.C. BOARD	11 9/16 X 7 7/16	100	1	B.C. BOARD		
FLAP BD.				DIE CUT		
BOARD				DIE CUT		

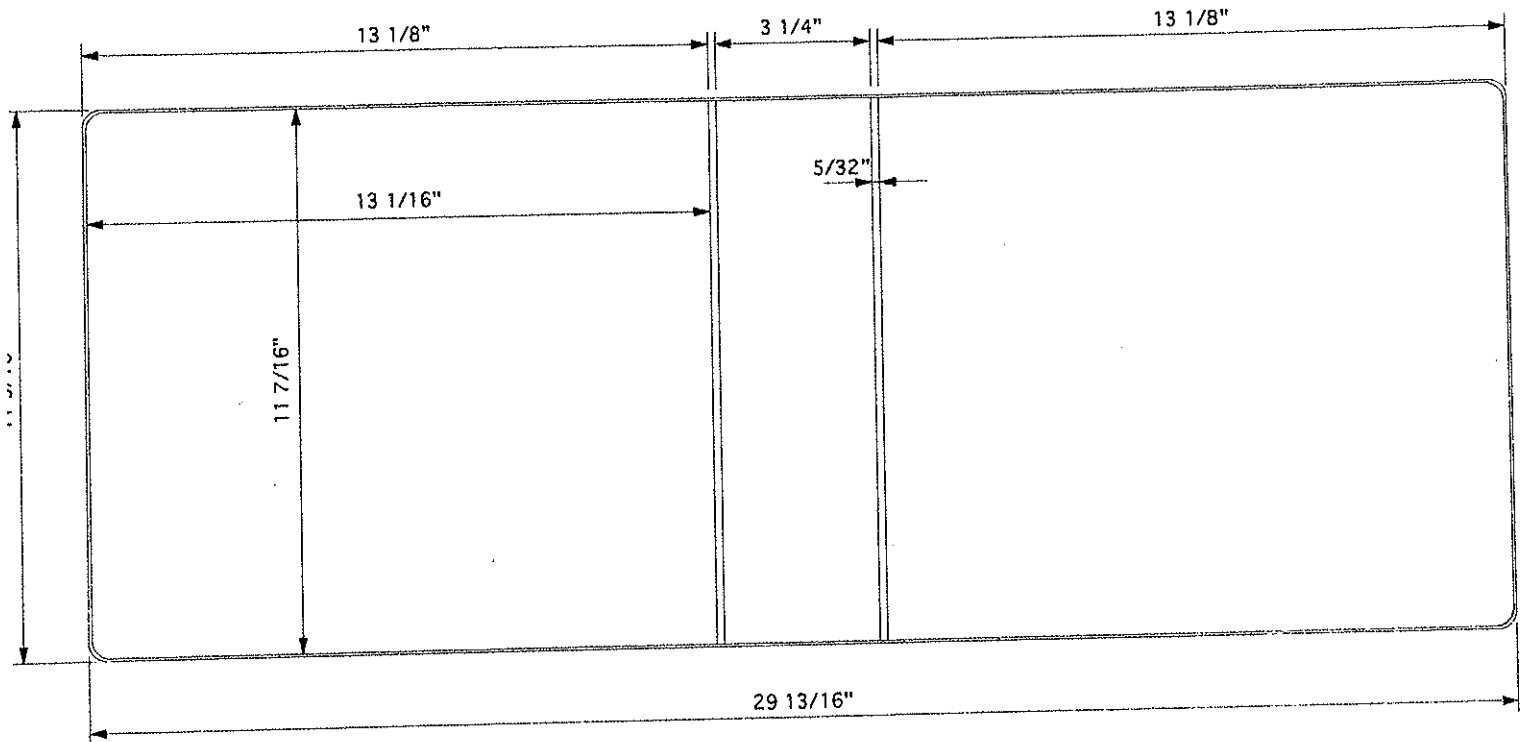
DIE #	7264-R	METAL	LOC	RADIUS	3/8"
ORDER #	497547	CUSTOMER	KENDALL JACKSON WINE	TEAR SEAL	.014
SHEET SIZE	11 X 4 3/4	STYLE CASE	VRB	BAR SEAL	48-3
CAP.	3/4"	DUE DATE	6-7-02	COMPLETED	
LOCATION		QUANTITY	3000	DATE	6-1-02



MATERIAL SPECS		GAUGE	PCS.	MATERIAL SPECS		GAUGE	PCS.
COVER MAT.	12 1/2 X 13 5/8		1	LINING MAT.	12 1/4 X 13 5/8		1
COVER MAT.				LINING MAT.			
DIE CUT				HORZ. PKT.			
COL				VERT. PKT.			
LABEL HOLDER				DIE CUT			
GUSSET				REINF.			
BOARD SPECS		5/16" R. CORNERS		GAUGE	PCS.	BOARD SPECS	
F.C. BOARD	11 9/32 X 5 19/32	100	1	F.C. BOARD			
B.B. BOARD	11 9/32 X 1 1/32	100	1	B.B. BOARD			
B.C. BOARD	11 9/32 X 5 19/32	100	1	B.C. BOARD			
FLAP BD.				DIE CUT			
BOARD				DIE CUT			

DIE #	7270	METAL	ANGLE D	RADIUS	3/8"
ORDER #	496173	CUSTOMER	FIBERGRATE COMPOSITE	TEAR SEAL	.012
SHEET SIZE	11 X 10	STYLE CASE	VRB	BAR SEAL	48-4
CAP.	3"	DUE DATE	5-31-02	COMPLETED	
LOCATION		QUANTITY	2500	DATE	6-10-02

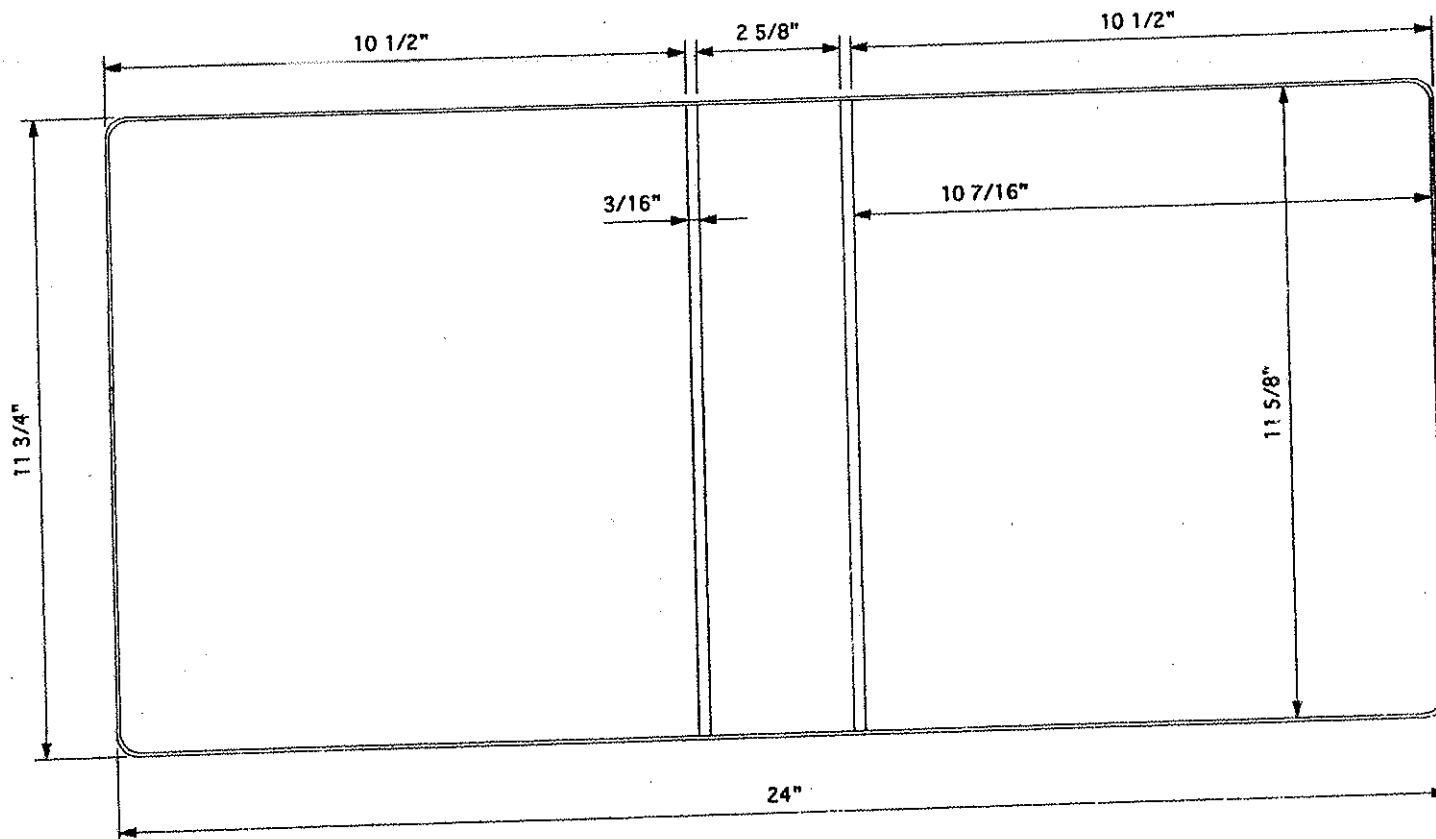
BINDER HAS SMALLER THAN NORMAL SPINE (PER SALES REP. REQUEST.)



MATERIAL SPECS		GAUGE	PCS.	MATERIAL SPECS		GAUGE	PCS.
COVER MAT.	12 1/4 X 30 1/2		1	LINING MAT.	12 1/4 X 30 1/2		1
COVER MAT.				LINING MAT.			
DIE CUT				HORZ. PKT.			
COL				VERT. PKT.			
LABEL HOLDER				DIE CUT			
GUSSET				REINF.			
BOARD SPECS		GAUGE	PCS.	BOARD SPECS		GAUGE	PCS.
5/16" R. CORNERS				5/16" R. CORNERS			
F.C. BOARD	11 3/8 X 13	120	1	F.C. BOARD			
B.B. BOARD	11 3/8 X 3 5/32	120	1	B.B. BOARD			
B.C. BOARD	11 3/8 X 13	120	1	B.C. BOARD			
FLAP BD.				DIE CUT			
BOARD				DIE CUT			



DIE #	7364	METAL	STR D.	RADIUS	3/8"
ORDER #		CUSTOMER		TEAR SEAL	.014
SHEET SIZE	11 X 9	STYLE CASE	VINYL BINDER	BAR SEAL	SEE SAMPL
CAP.	2"	DUE DATE		COMPLETED	
LOCATION		QUANTITY		DATE	12-6-02

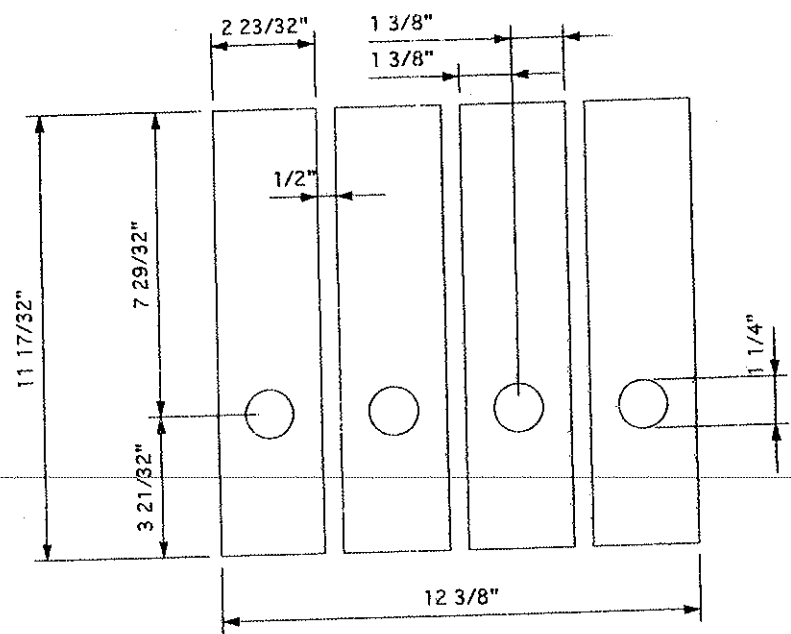
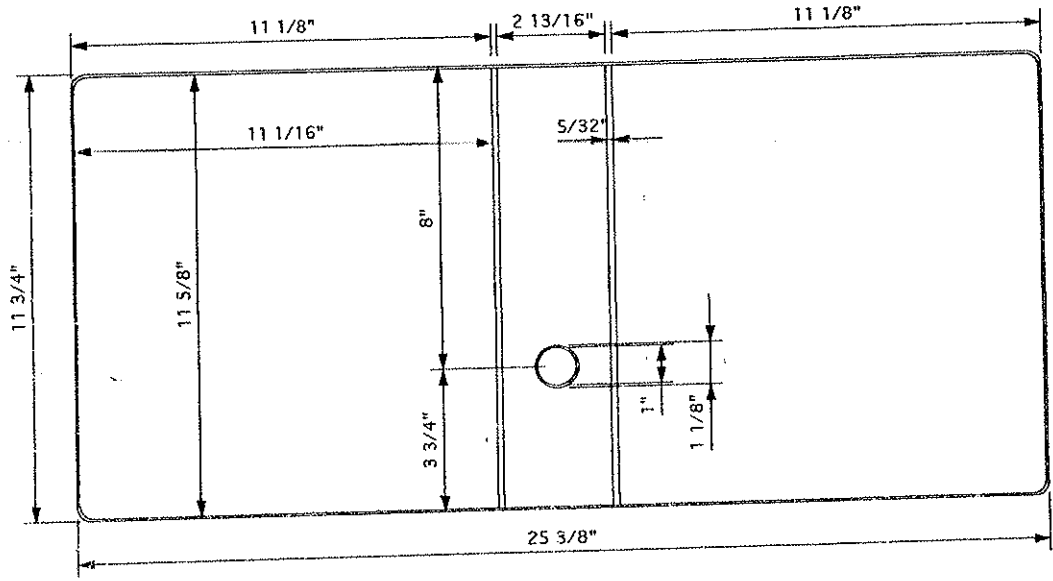


10 SAMPLES

MATERIAL SPECS		GAUGE	PCS.	MATERIAL SPECS	GAUGE
COVER MAT.	12 1/2 X 24 3/4		1	LINING MAT.	12 1/2 X 24 3/4
COVER MAT.				LINING MAT.	
DIE CUT				HORZ. PKT.	5 3/8 X 11
COL				VERT. PKT.	
LABEL HOLDER				DIE CUT	
GUSSET				REINF.	
BOARD SPECS	5/16" R. CORNERS	GAUGE	PCS.	BOARD SPECS	5/16" R. CORNERS
F.C. BOARD	11 9/16 X 10 3/8	120	1	F.C. BOARD	
B.B. BOARD	11 9/16 X 2 17/32	120	1	B.B. BOARD	
B.C. BOARD	11 9/16 X 10 3/8	120	1	B.C. BOARD	
FLAP BD.				DIE CUT	
BOARD				DIE CUT	

*Matched sample for size*

ME #	7425 A-B	METAL	STR D	RADIUS	3/8"
ORDER #	550176	CUSTOMER	MODERNFOLD INC	TEAR SEAL	.012
SHEET SIZE	11 X 9	STYLE CASE	VRB	BAR SEAL	48-4
CAP.	2"	DUE DATE	4-29-03	COMPLETED	
LOCATION		QUANTITY	3000	DATE	4-17-03



MATERIAL SPECS		GAUGE	PCS.	MATERIAL SPECS		GAUGE	PCS.
COVER MAT.	12 1/2 X 26 1/8		1	LINING MAT.	12 1/2 X 26 1/8		1
COVER MAT.				LINING MAT.			
DIE CUT				HORZ. PKT.	4 7/8 X 26 1/8		1
BOARD SPECS		GAUGE	PCS.	BOARD SPECS		GAUGE	PCS.
F.C. BOARD	11 17/32 X 10 31/32	5/16" R CORNERS	120	F.C. BOARD			
B.B. BOARD				B.B. BOARD			
B.C. BOARD	11 17/32 X 10 31/32		120	B.C. BOARD			
BOARD				DIE CUT	12 1/2 X 13 3/8	4OUT	120

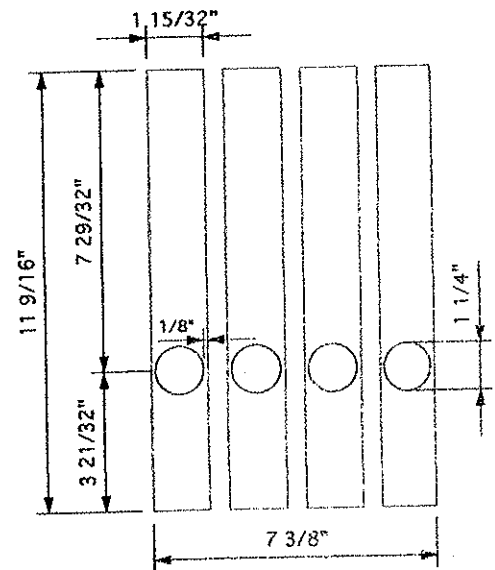
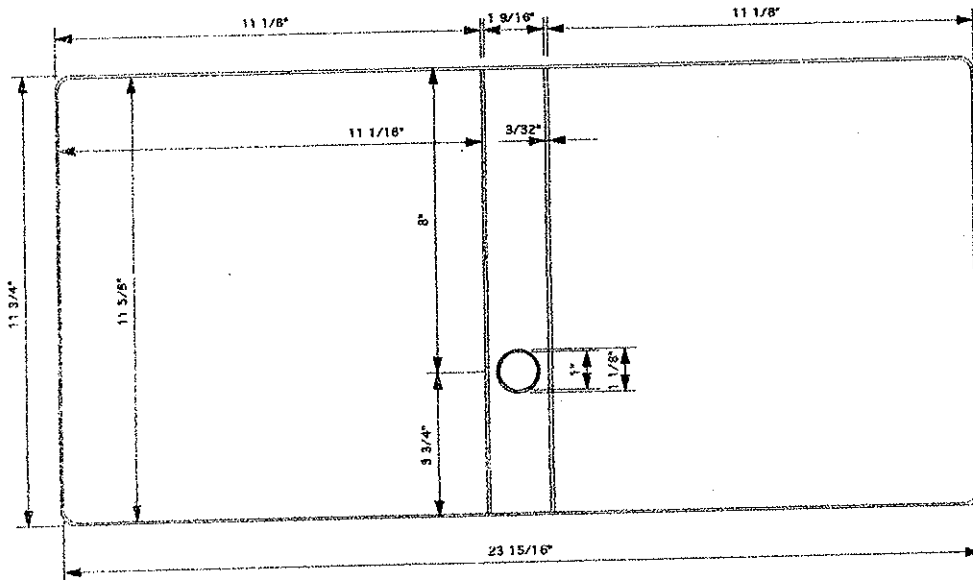
DIE #	7431-AR-B	METAL	STR D.	RADIUS	3/8"
ORDER #	574717	CUSTOMER	DORMA GROUP INC.	TEAR SEAL	.012
SHEET SIZE	11 X 9	STYLE CASE	VINYL BINDER	BAR SEAL	3/32"
CAP.	1"	DUE DATE	9-12-03	COMPLETED	
LOCATION		QUANTITY	500	DATE	9-2-03

PANELS OVERSIZED TO MATCH DIE 7425

REVISION - BARS CHANGED TO 3/32" TO MAKE ROOM FOR 1" ID FINGER HOLE ON SPINE

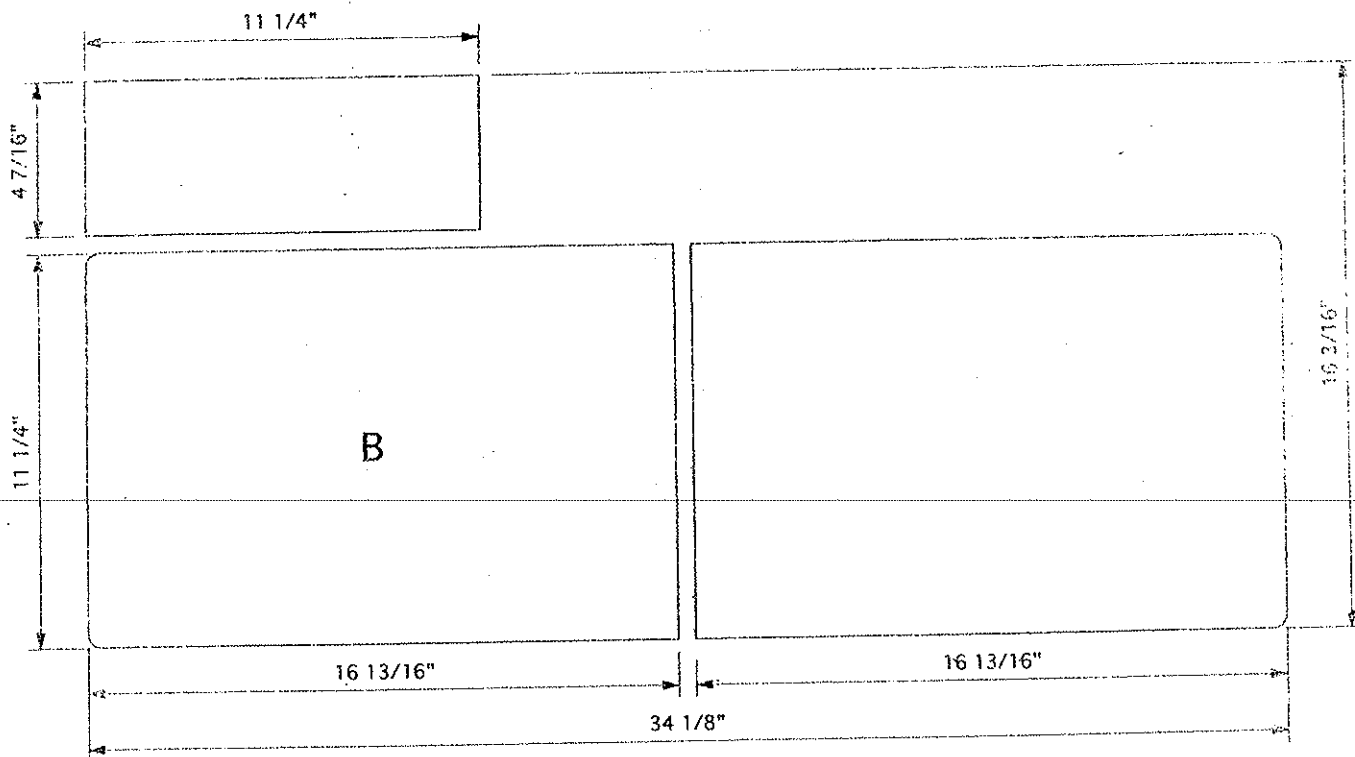
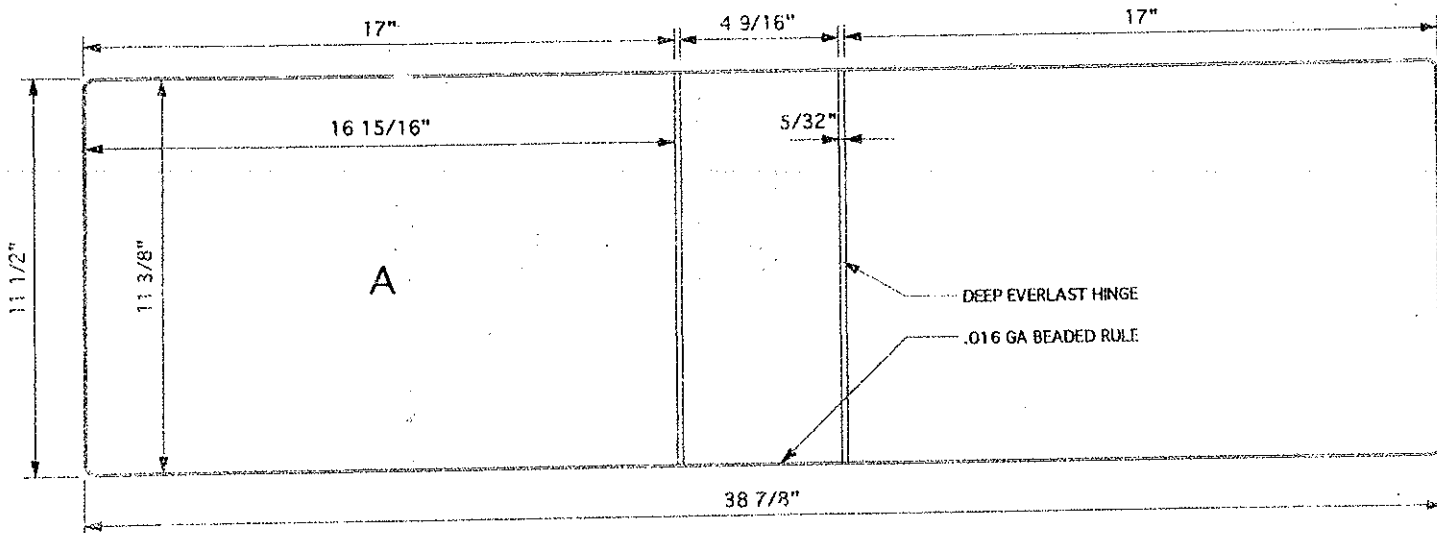
A-R

7431-B



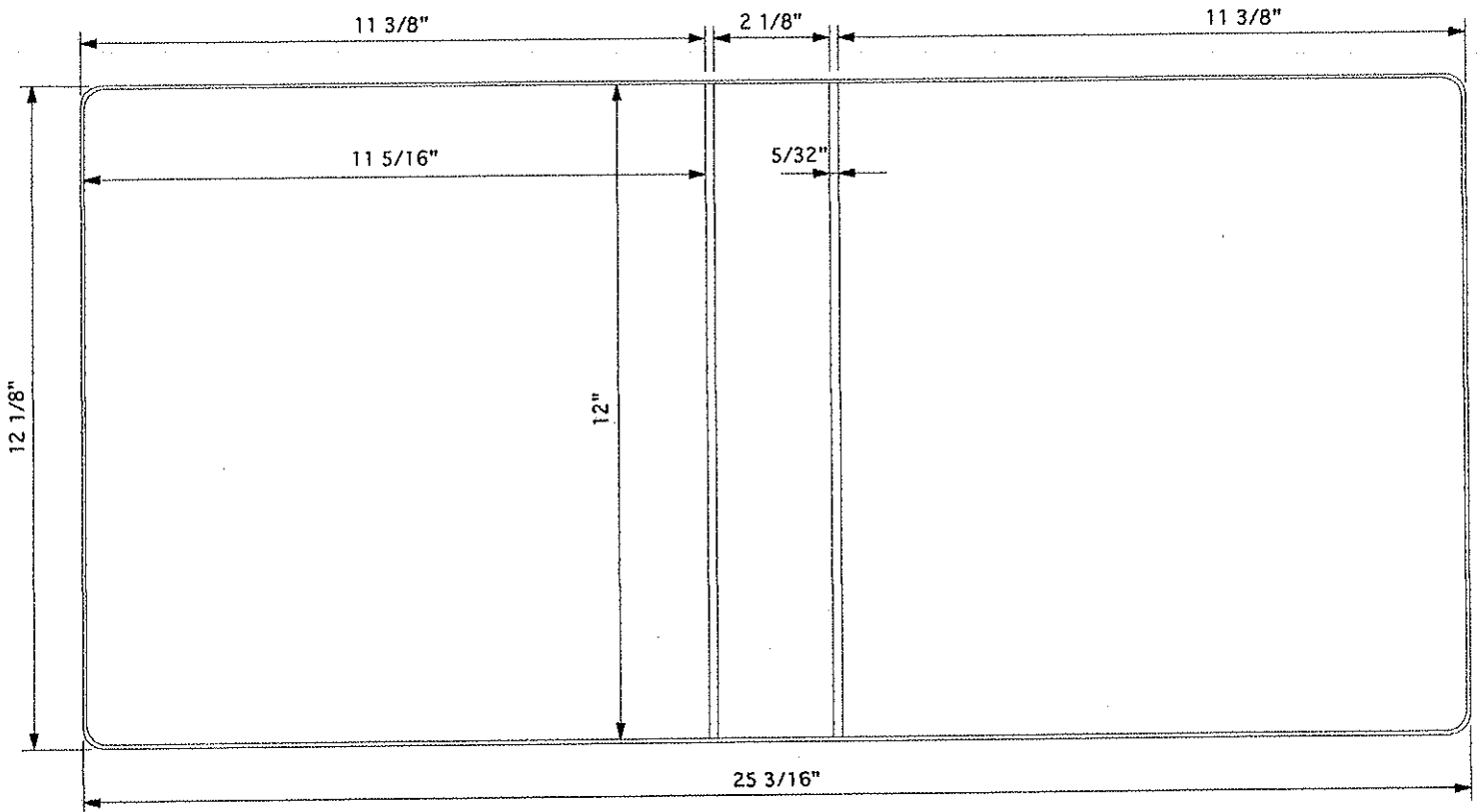
MATERIAL SPECS		GAUGE	PCS.	MATERIAL SPECS		GAUGE	PCS.
COVER MAT.	12 1/2 X 24 3/4	1		LINING MAT.	12 1/2 X 24 3/4	1	
COVER MAT.				LINING MAT.			
DIE CUT				HORZ. PKT.			
COL				VERT. PKT.			
LABEL HOLDER				DIE CUT			
GUSSET				REINF.			
BOARD SPECS	5/16" R. CORNERS	GAUGE	PCS.	BOARD SPECS	5/16" R. CORNERS	GAUGE	PCS.
F.C. BOARD	11 9/16 X 11	120	1	F.C. BOARD			
B.B. BOARD	11 9/16 X 1 15/32	120	1	B.B. BOARD			
B.C. BOARD	11 9/16 X 11	120	1	B.C. BOARD			
FLAP BD.				DIE CUT 40UT	12 1/2 X 8 3/8	7431-B	1
BOARD	11 17/32/16 X 10 31/32	35	1	DIE CUT			

DIE #	7511-A-B	METAL	ANGLE D	RADIUS	3/8"
ORDER #	571840	CUSTOMER	SAM STEWART FORMAL WEAR	DATE	8-13-03
SHEET SIZE	11 X 13 1/4	STYLE CASE	CM BINDER	SPACE	
CAP.	4"	QUANTITY	200	DUE DATE	8-29-03



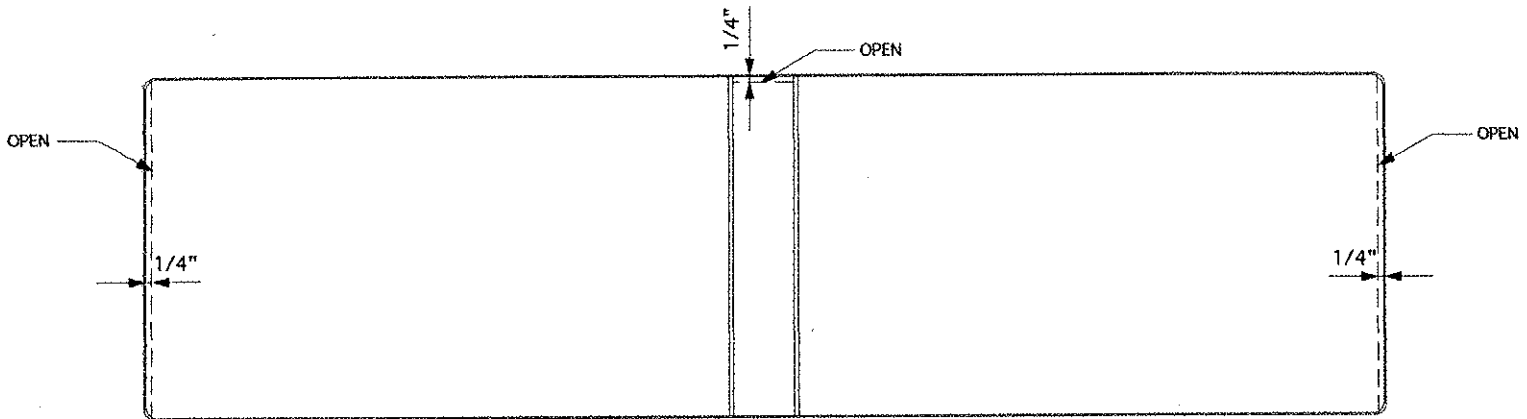
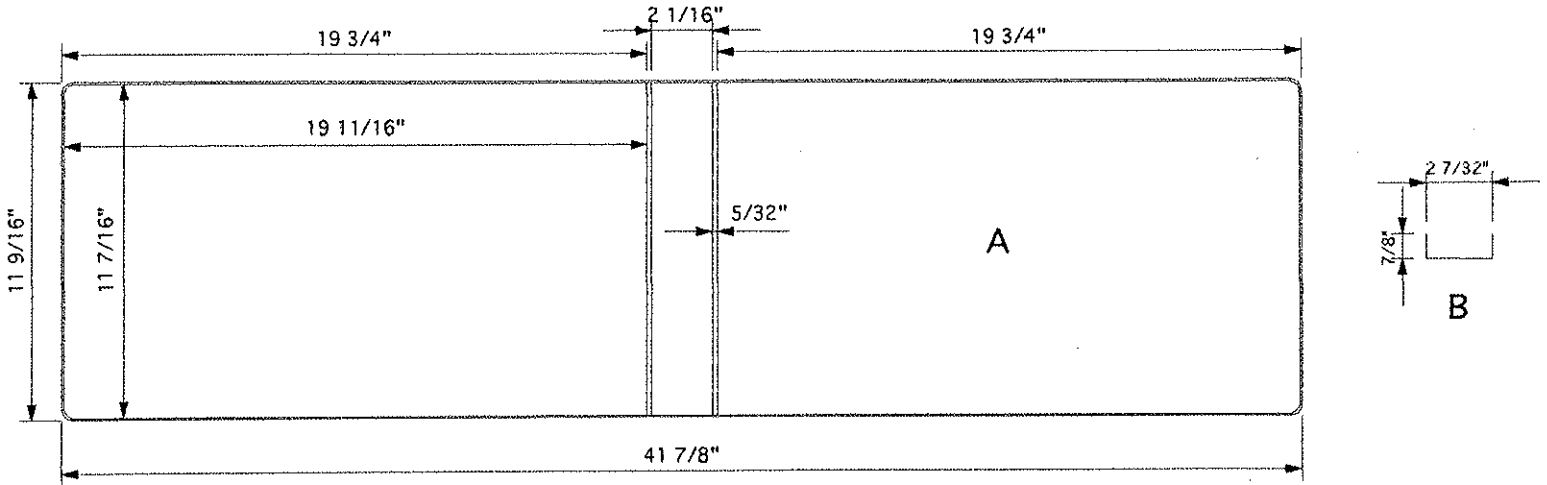
MATERIAL SPECS	GAUGE	PCS.	MATERIAL SPECS	GAUGE	PCS.		
COVER MAT	12 1/2 X 39 7/8	A	1	LINING MAT.	12 1/4 X 39 5/8	A	1
COVER MAT.				LINING MAT.			
DIE CUT				REINF. MAT			
BOARD SPECS	GAUGE	PCS.	BOARD SPECS	GAUGE	PCS.		
DIE CUT	17 3/16 X 35 1/8	B	120	1	DIE CUT		

DIE #	7751	METAL	STR D	RADIUS	3/8"
ORDER #	639082	CUSTOMER	CORPKIT LEGAL	TEAR SEAL	.016
SHEET SIZE	11 5/8 X 10	STYLE CASE	VINYL BINDER	BAR SEAL	48-4
CAP.	1 1/2"	DUE DATE	9-3-04	COMPLETED	
LOCATION		QUANTITY	1	DATE	9-1-04



MATERIAL SPECS		GAUGE	PCS.	MATERIAL SPECS		GAUGE	PCS.				
COVER MAT.	13 1/8 X 26 1/4		1	LINING MAT.	12 7/8 X 26		1				
COVER MAT.				LINING MAT.							
DIE CUT				HORZ. PKT.							
COL				VERT. PKT.							
LABEL HOLDER				DIE CUT							
GUSSET				REINF.							
BOARD SPECS		5/16" R. CORNERS		GAUGE	PCS.	BOARD SPECS		5/16" R. CORNERS		GAUGE	PCS.
F.C. BOARD	11 29/32 X 11 7/32	120	1	F.C. BOARD							
B.B. BOARD	11 29/32 X 2 1/32	120	1	B.B. BOARD							
B.C. BOARD	11 29/32 X 11 7/32	120	1	B.C. BOARD							
FLAP BD.				DIE CUT							
BOARD	***PADDED SPINE***			DIE CUT							

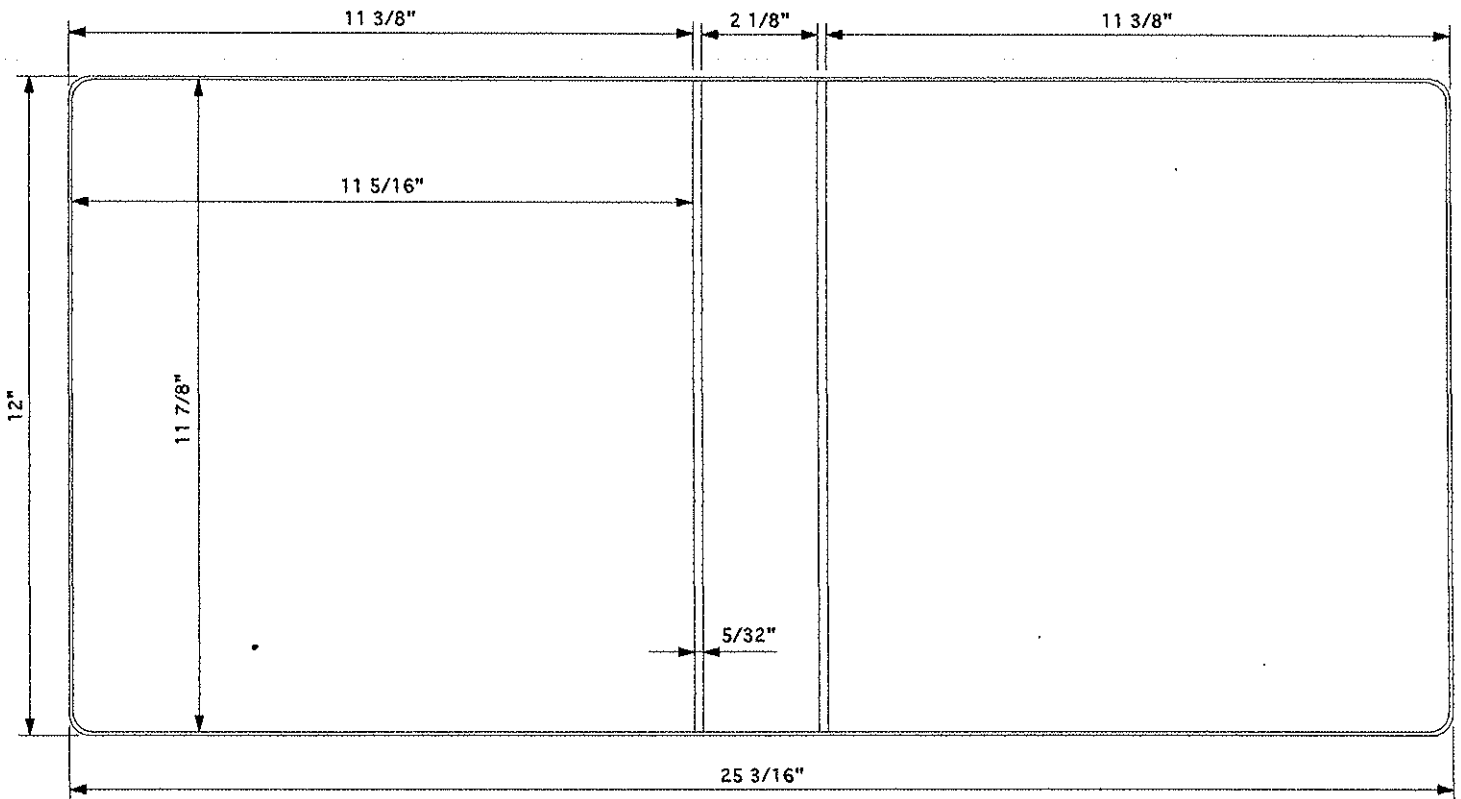
DIE #	7761	METAL	NONE	RADIUS	3/8"
ORDER #	640403	CUSTOMER	11 X 17 INC	TEAR SEAL	.012
SHEET SIZE	11 X 18	STYLE CASE	VINYL BINDER	BAR SEAL	48-4
CAP.	1 1/2"	DUE DATE	10-8-04	COMPLETED	
LOCATION		QUANTITY	1500	DATE	9-17-04



FINISHED PRODUCT

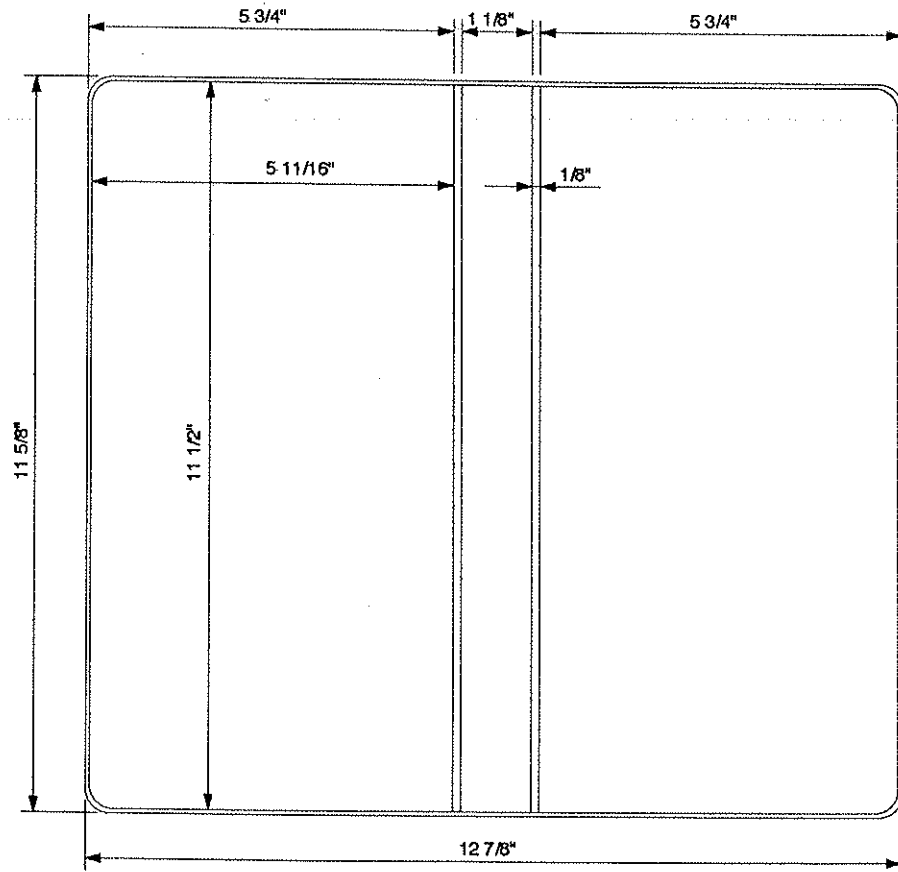
MATERIAL SPECS		GAUGE	PCS.	MATERIAL SPECS		GAUGE	PCS.
COVER MAT.	12 5/16 X 42 5/8		1	LINING MAT.	12 5/16 X 42 5/8		1
COVER MAT.				LINING MAT.			
DIE CUT				HORZ. PKT.			
COL	12 5/16 X 41 7/16		1	VERT. PKT.			
COL				DIE CUT			
GUSSET				REINF.			
BOARD SPECS		GAUGE	PCS.	BOARD SPECS		GAUGE	PCS.
F.C. BOARD	11 3/8 X 19 5/8	120	1	F.C. BOARD			
B.B. BOARD	11 3/8 X 1 31/32	120	1	B.B. BOARD			
B.C. BOARD	11 3/8 X 19 5/8	120	1	B.C. BOARD			
FLAP BD.				DIE CUT			
BOARD				DIE CUT			

DIE #	7764	METAL	STR D	RADIUS	3/8"
ORDER #	641609	CUSTOMER	CORPKIT LEGAL SUPPLIES	TEAR SEAL	.014
SHEET SIZE	11 5/8 X 10	STYLE CASE	VINYL BINDER	BAR SEAL	48-4
CAP.	1 1/2"	DUE DATE	9-22-04	COMPLETED	
LOCATION		QUANTITY	1	DATE	9-21-04



MATERIAL SPECS		GAUGE	PCS.	MATERIAL SPECS		GAUGE	PCS.
COVER MAT.	13 X 26 1/4		1	LINING MAT.	12 3/4 X 26		1
COVER MAT.				LINING MAT.			
DIE CUT				HORZ. PKT.			
COL				VERT. PKT.			
LABEL HOLDER				DIE CUT			
GUSSET				REINF.			
BOARD SPECS		GAUGE	PCS.	BOARD SPECS		GAUGE	PCS.
F.C. BOARD	11 25/32 X 11 7/32	120	1	F.C. BOARD	5/16" R. CORNERS		
B.B. BOARD	11 25/32 X 2 1/32	120	1	B.B. BOARD			
B.C. BOARD	11 25/32 X 11 7/32	120	1	B.C. BOARD			
FLAP BD.				DIE CUT			
BOARD				DIE CUT			

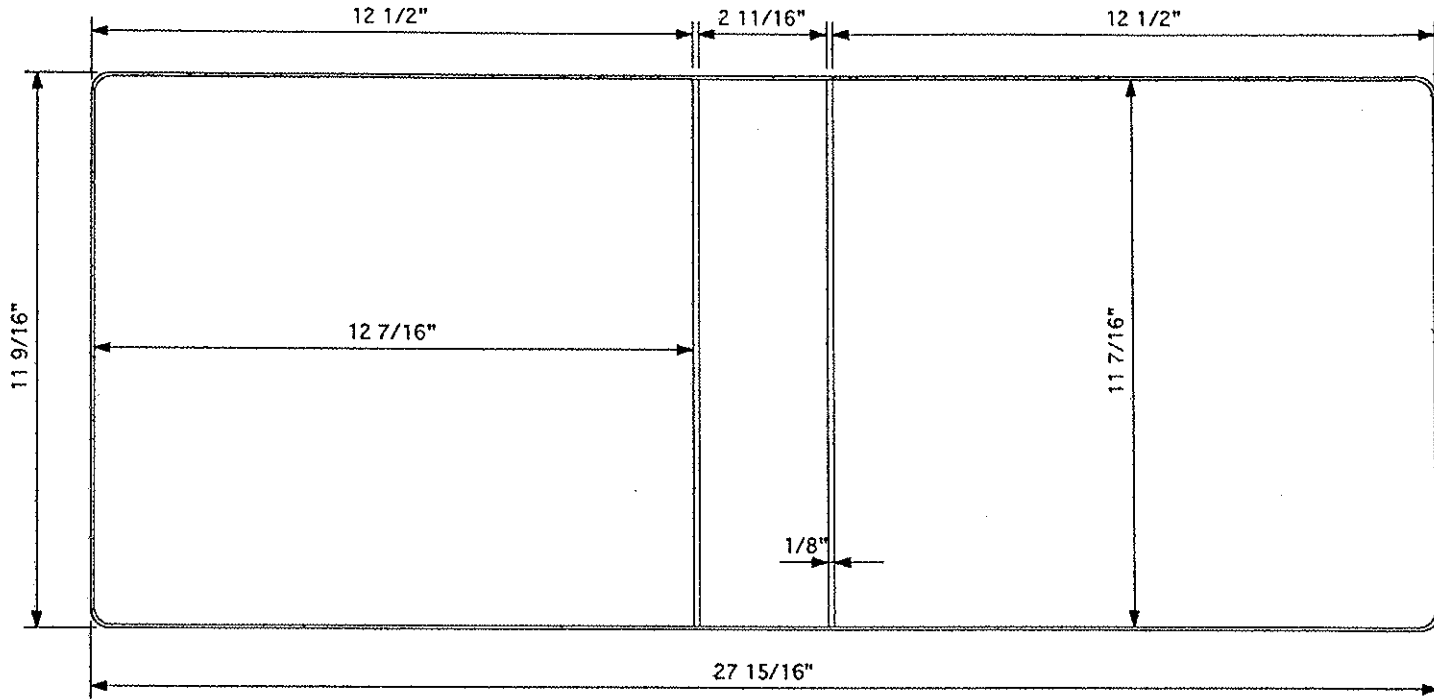
DIE #	8022	METAL	RR	RADIUS	3/8"
ORDER #	706564	CUSTOMER	AMERICAN PRINTING	TEAR SEAL	.012
SHEET SIZE	11 5/8 X 5 3/4 OAS	STYLE CASE	VINYL BINDER	BAR SEAL	48-3
CAP.	3/4"	DUE DATE	11-25-05	COMPLETED	
LOCATION		QUANTITY	11500	DATE	11-23-05



MATERIAL SPECS		GAUGE	PCS.	MATERIAL SPECS		GAUGE	PCS.
COVER MAT.	12 3/8 X 13 5/8		1	LINING MAT.	12 3/8 X 13 5/8		1
COVER MAT.				LINING MAT.			
DIE CUT				HORZ. PKT.			
COL				VERT. PKT.			
LABEL HOLDER				DIE CUT			
GUSSET				REINF.			
BOARD SPECS		GAUGE	PCS.	BOARD SPECS		GAUGE	PCS.
F.C. BOARD	11 7/16 X 5 5/8	100	1	F.C. BOARD			
B.B. BOARD	11 7/16 X 1 1/32	100	1	B.B. BOARD			
B.C. BOARD	11 7/16 X 5 5/8	100	1	B.C. BOARD			
FLAP BD.				DIE CUT			
BOARD				DIE CUT			



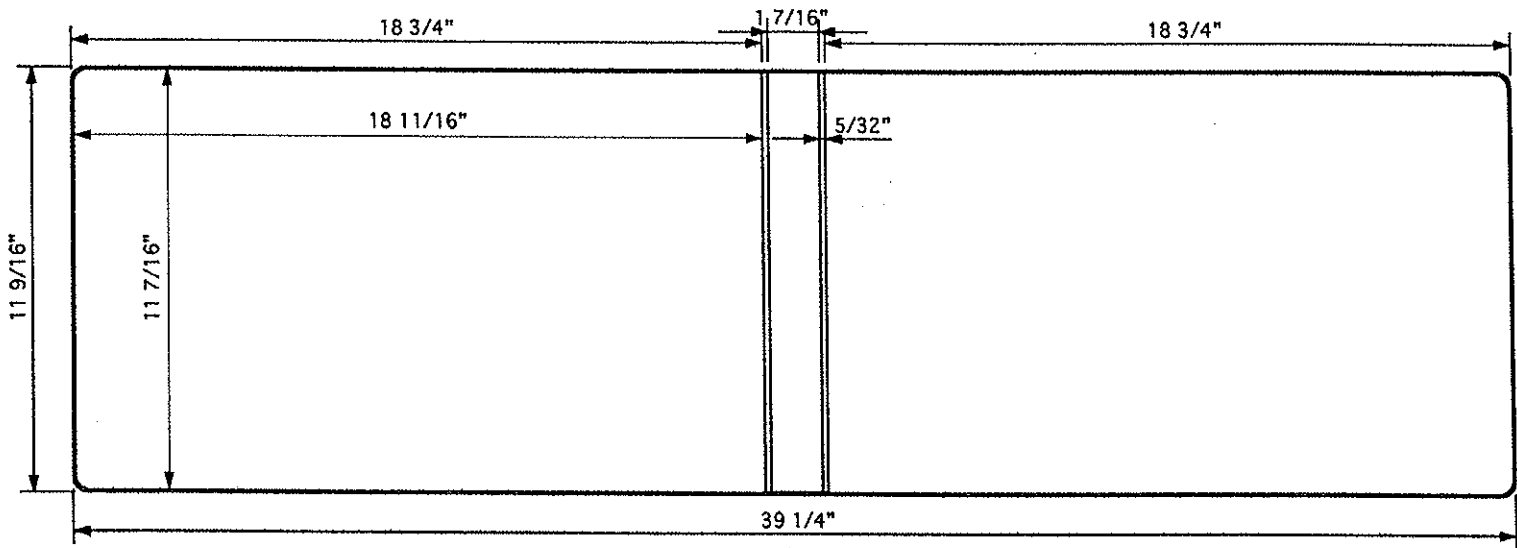
DIE #	8164	METAL	AD	RADIUS	3/8"
ORDER #	740658	CUSTOMER	SOUTHEASTERN PRINT	TEAR SEAL	.012
SHEET SIZE	11 X 10	STYLE CASE	VINYL RING BINDER	BAR SEAL	253
CAP.	2"	DUE DATE	7-14-07	COMPLETED	
LOCATION		QUANTITY	500	DATE	7-5-06



MATERIAL SPECS		GAUGE	PCS.	MATERIAL SPECS		GAUGE	P				
COVER MAT.	$12 \frac{5}{16} \times 28 \frac{3}{4}$		1	LINING MAT.	$12 \frac{5}{16} \times 28 \frac{3}{4}$						
COVER MAT.				LINING MAT.							
DIE CUT				HORZ. PKT.	$4 \frac{7}{8} \times 28 \frac{3}{4}$						
COL	$11 \frac{11}{16} \times 16 \frac{3}{8}$		1	VERT. PKT.							
LABEL HOLDER				DIE CUT							
GUSSET				REINF.							
BOARD SPECS		5/16" R. CORNERS		GAUGE	PCS.	BOARD SPECS		5/16" R. CORNERS		GAUGE	P
F.C. BOARD	$11 \frac{3}{8} \times 12 \frac{3}{8}$	120	1	F.C. BOARD							
B.B. BOARD	$11 \frac{3}{8} \times 2 \frac{19}{32}$	120	1	B.B. BOARD							
B.C. BOARD	$11 \frac{3}{8} \times 12 \frac{3}{8}$	120	1	B.C. BOARD							
FLAP BD.				DIE CUT							
BOARD				DIE CUT							

DIE #	8168	METAL	ANGLE D	RADIUS	3/8"
ORDER #	742602	CUSTOMER	CARDINAL BRANDS	TEAR SEAL	.014
SHEET SIZE	11 X 17 1/2	STYLE CASE	VINYL BINDER	BAR SEAL	48-4
CAP.	1"	DUE DATE	7-31-06	COMPLETED	
LOCATION		QUANTITY	1200	DATE	7-14-06

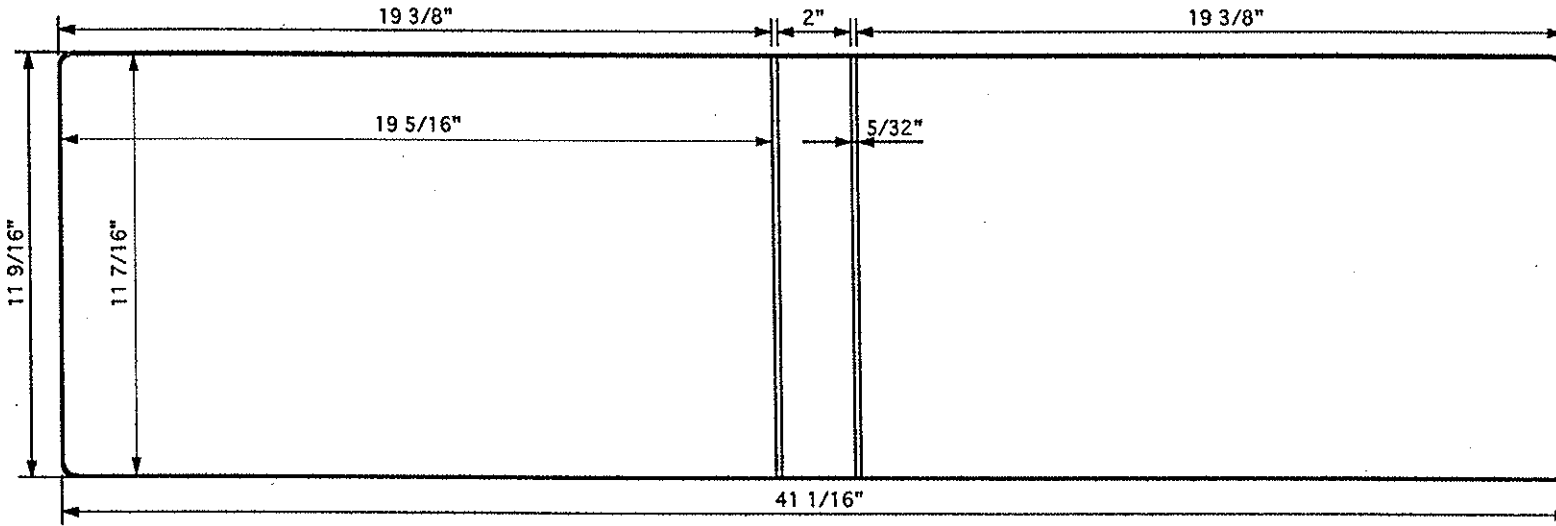
\*\*\* WARNING DRAWING NOT ACTUAL SIZE \*\*\*



MATERIAL SPECS		GAUGE	PCS.	MATERIAL SPECS		GAUGE	PCS.				
COVER MAT.	12 5/16 X 40		1	LINING MAT.	12 5/16 X 40		1				
COVER MAT.				LINING MAT.							
DIE CUT				HORZ. PKT.							
COL				VERT. PKT.							
LABEL HOLDER				DIE CUT							
GUSSET				REINF.							
BOARD SPECS		5/16" R. CORNERS		GAUGE	PCS.	BOARD SPECS		5/16" R. CORNERS		GAUGE	PCS.
F.C. BOARD	11 11/32 X 18 19/32	150	1	F.C. BOARD							
B.B. BOARD	11 11/32 X 1 11/32	150	1	B.B. BOARD							
B.C. BOARD	11 11/32 X 18 19/32	150	1	B.C. BOARD							
FLAP BD.				DIE CUT							
BOARD				DIE CUT							

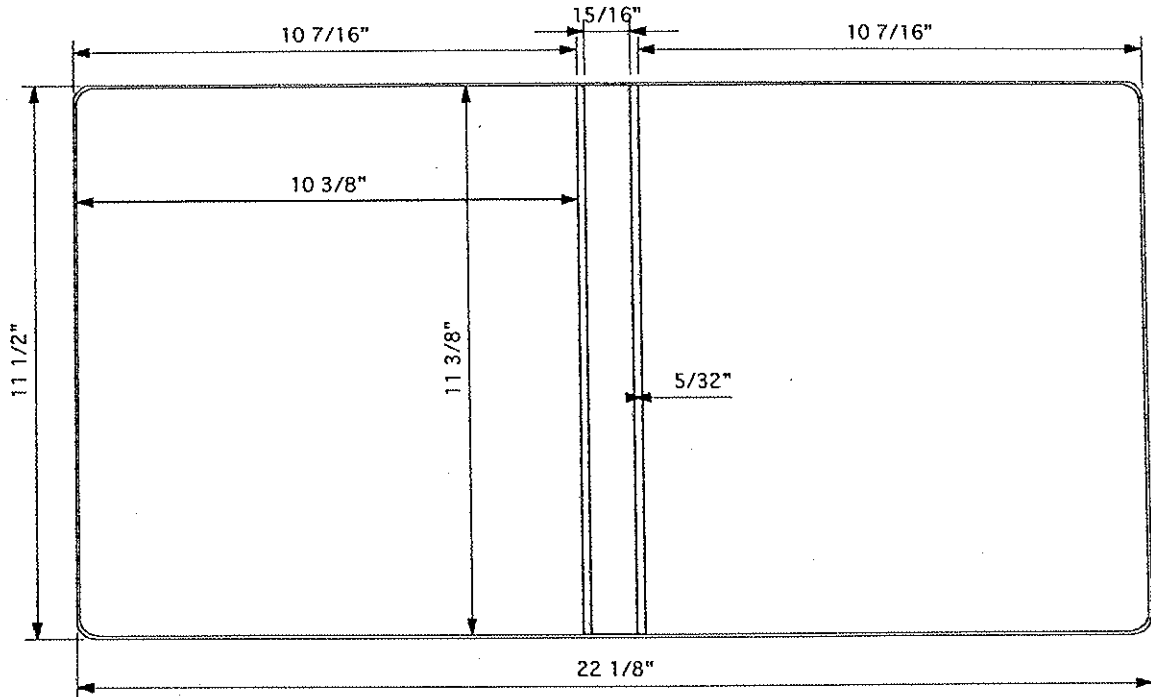
DIE #	8169	METAL	ANGLE D	RADIUS	3/8"
ORDER #	742611	CUSTOMER	CARDINAL BRANDS	TEAR SEAL	.014
SHEET SIZE	11 X 17 1/2	STYLE CASE	VINYL BINDER	BAR SEAL	48-4
CAP.	1 1/2"	DUE DATE	7-31-06	COMPLETED	
LOCATION		QUANTITY	2000	DATE	7-14-06

\*\*\* WARNING DRAWING NOT ACTUAL SIZE \*\*\*



MATERIAL SPECS		GAUGE		MATERIAL SPECS		GAUGE	
COVER MAT.	12 5/16 X 41 13/16		1	LINING MAT.	12 5/16 X 41 13/16		1
COVER MAT.				LINING MAT.			
DIE CUT				HORZ. PKT.			
COL				VERT. PKT.			
LABEL HOLDER				DIE CUT			
GUSSET				REINF.			
BOARD SPECS		GAUGE		BOARD SPECS		GAUGE	
	5/16" R. CORNERS		PCS.		5/16" R. CORNERS		PCS.
F.C. BOARD	11 11/32 X 19 7/32	150	1	F.C. BOARD			
B.B. BOARD	11 11/32 X 1 29/32	150	1	B.B. BOARD			
B.C. BOARD	11 11/32 X 19 7/32	150	1	B.C. BOARD			
FLAP BD.				DIE CUT			
BOARD				DIE CUT			

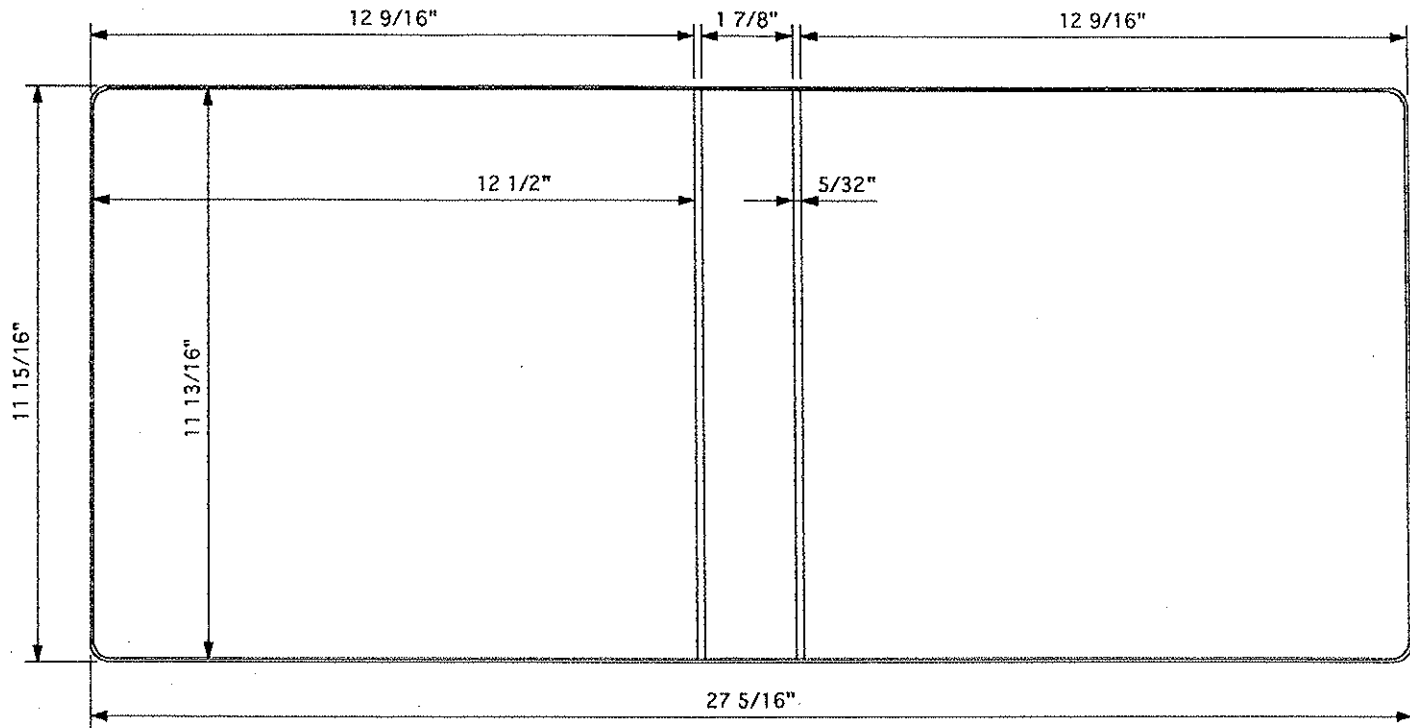
DIE #	8461	METAL	RR	RADIUS	3/8"
ORDER #	826152	CUSTOMER	COAPT SYSTEMS	TEAR SEAL	.014
SHEET SIZE	11 X 9 3/4	STYLE CASE	VINYL BINDER	BAR SEAL	48-4
CAP.	1/2"	DUE DATE	2-5-08	COMPLETED	
LOCATION		QUANTITY	350	DATE	1-25-08



MATERIAL SPECS		GAUGE	PCS.	MATERIAL SPECS		GAUGE	PCS.
COVER MAT.	12 1/4 X 22 7/8		1	LINING MAT.	12 1/4 X 22 7/8		1
COVER MAT.				LINING MAT.			
DIE CUT				HORZ. PKT.	4 7/8 X 22 7/8		
COL				VERT. PKT.			
LABEL HOLDER				DIE CUT			
GUSSET				REINF.			

BOARD SPECS		GAUGE	PCS.	BOARD SPECS		GAUGE	PCS.
F.C. BOARD	11 9/32 X 10 9/32	100	1	F.C. BOARD			
B.B. BOARD	11 9/32 X 27/32	100	1	B.B. BOARD			
B.C. BOARD	11 9/32 X 10 9/32	100	1	B.C. BOARD			
FLAP BD.				DIE CUT			
BOARD				DIE CUT			

DIE #	8476	METAL	LOC	RADIUS	3/8"
ORDER #	826881	CUSTOMER	STATE PRINTING	TEAR SEAL	.014
SHEET SIZE	11 1/2 X 11	STYLE CASE	VINYL BINDER	BAR SEAL	48-4
CAP.	1 1/2"	DUE DATE	2-6-08	COMPLETED	
LOCATION		QUANTITY	175	DATE	2-14-08

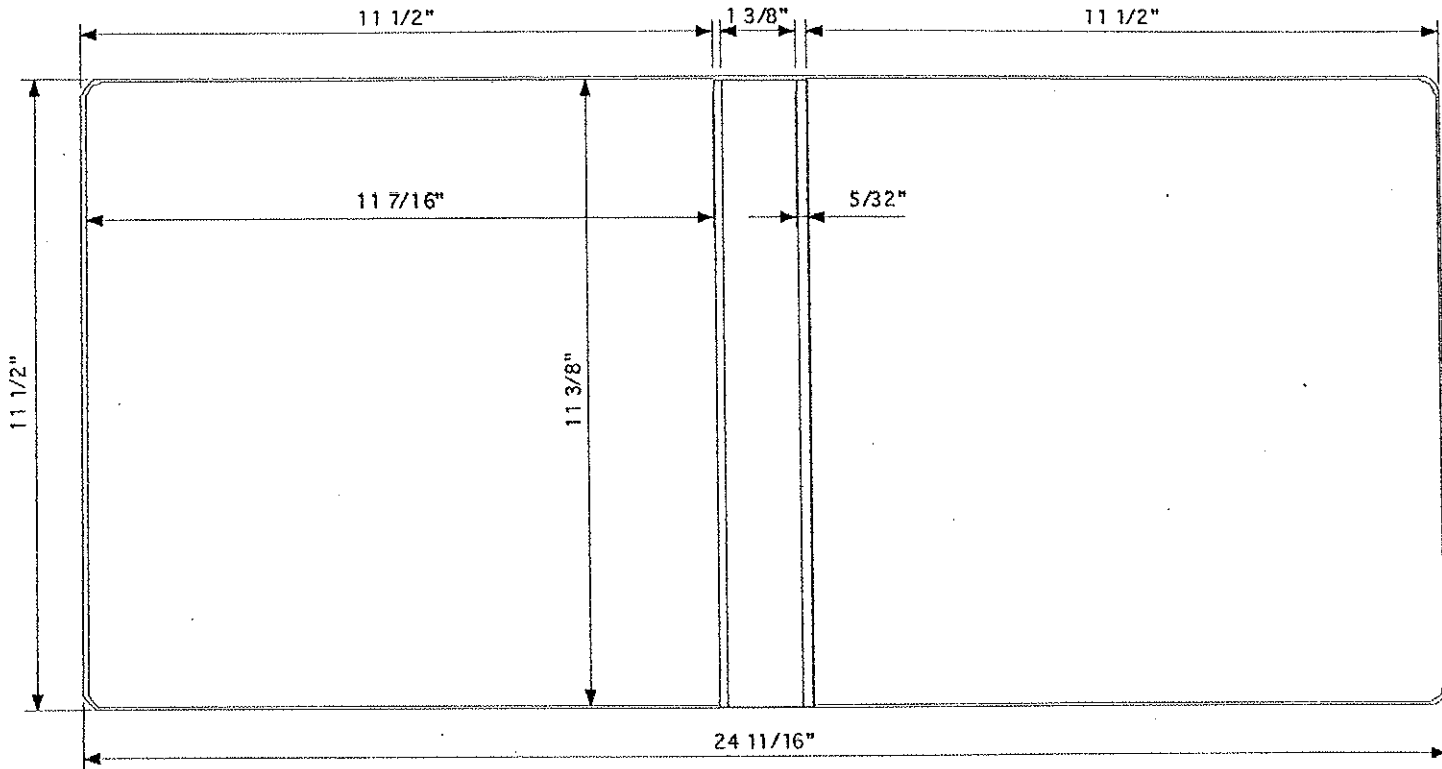


MATERIAL SPECS		GAUGE	PCS.	MATERIAL SPECS		GAUGE	PCS.
COVER MAT.	12 11/16 X 28 1/16		1	LINING MAT.	12 11/16 X 28 1/16		1
PICTORIAL	12 11/16 X 28 1/16		1	LINING MAT.			
DIE CUT				HORZ. PKT.	4 7/8 X 28 1/16		1
COL				VERT. PKT.			
LABEL HOLDER				DIE CUT			
GUSSET				REINF.			

BOARD SPECS	5/16" R. CORNERS	GAUGE	PCS.	BOARD SPECS	5/16" R. CORNERS	GAUGE	PCS.
F.C. BOARD	11 23/32 X 12 13/32	100	1	F.C. BOARD			
B.B. BOARD	11 23/32 X 1 25/32	100	1	B.B. BOARD			
B.C. BOARD	11 23/32 X 12 13/32	100	1	B.C. BOARD			
FLAP BD.				DIE CUT			
BOARD				DIE CUT			

DIE #	8568	METAL	LOC	RADIUS	3/8"
ORDER #	859122	CUSTOMER	ROBIN ENTERPRISES	TEAR SEAL	.014
SHEET SIZE	11 x 10 3/8	STYLE CASE	VINYL BINDER	BAR SEAL	48-4
CAP.	1"	DUE DATE	9-17-08	COMPLETED	
LOCATION		QUANTITY	1010	DATE	8-25-08

\*\*\* WARNING DRAWING NOT ACTUAL SIZE \*\*\*



MATERIAL SPECS		GAUGE	PCS.	MATERIAL SPECS		GAUGE	PCS.				
COVER MAT.	12 1/4 X 25 1/2		1	LINING MAT.	12 1/4 X 25 1/2		1				
COVER MAT.				LINING MAT.							
DIE CUT				HORZ. PKT.	4 7/8 X 25 1/2		1				
COL	11 5/8 X 25 1/2		1	VERT. PKT.							
LABEL HOLDER				DIE CUT							
GUSSET				REINF.							
BOARD SPECS		5/16" R. CORNERS		GAUGE	PCS.	BOARD SPECS		5/16" R. CORNERS		GAUGE	PCS.
F.C. BOARD	11 9/32 X 11 11/32	120	1	F.C. BOARD							
B.B. BOARD	11 9/32 X 1 9/32	120	1	B.B. BOARD							
B.C. BOARD	11 9/32 X 11 11/32	120	1	B.C. BOARD							
FLAP BD.				DIE CUT							
BOARD				DIE CUT							