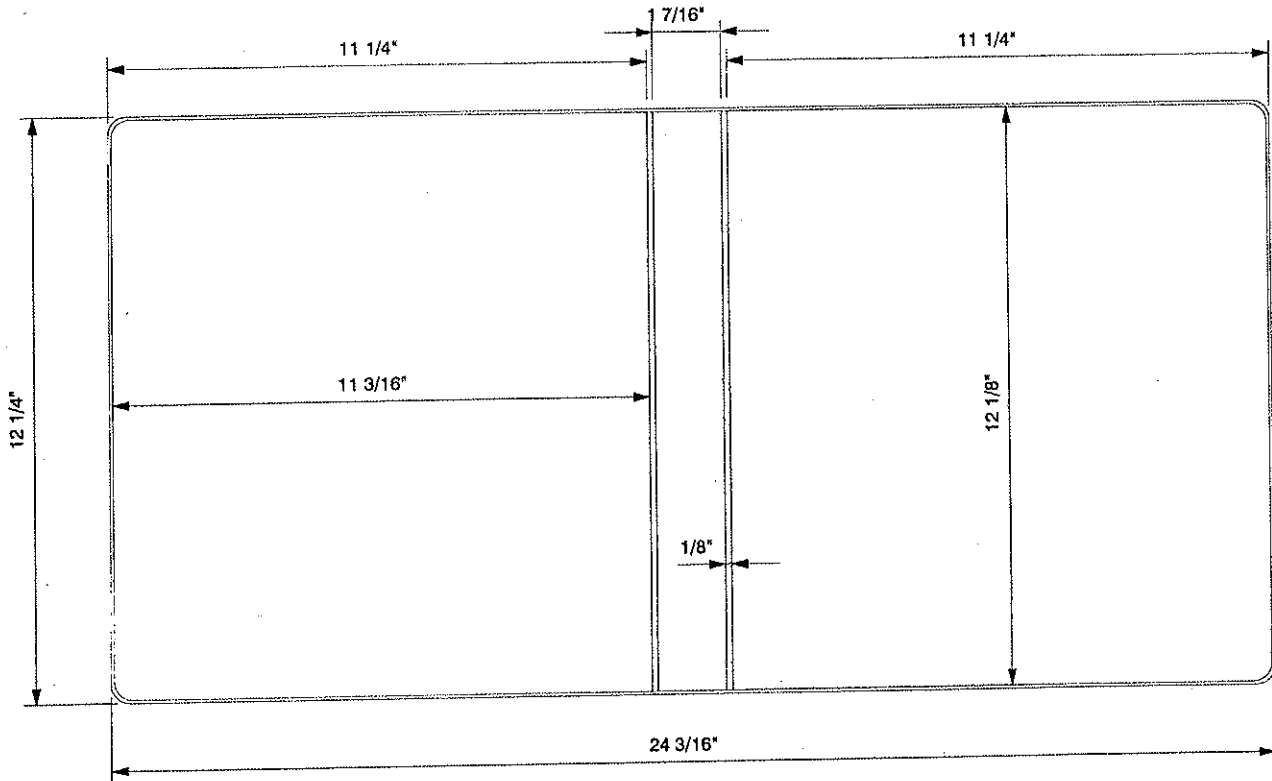
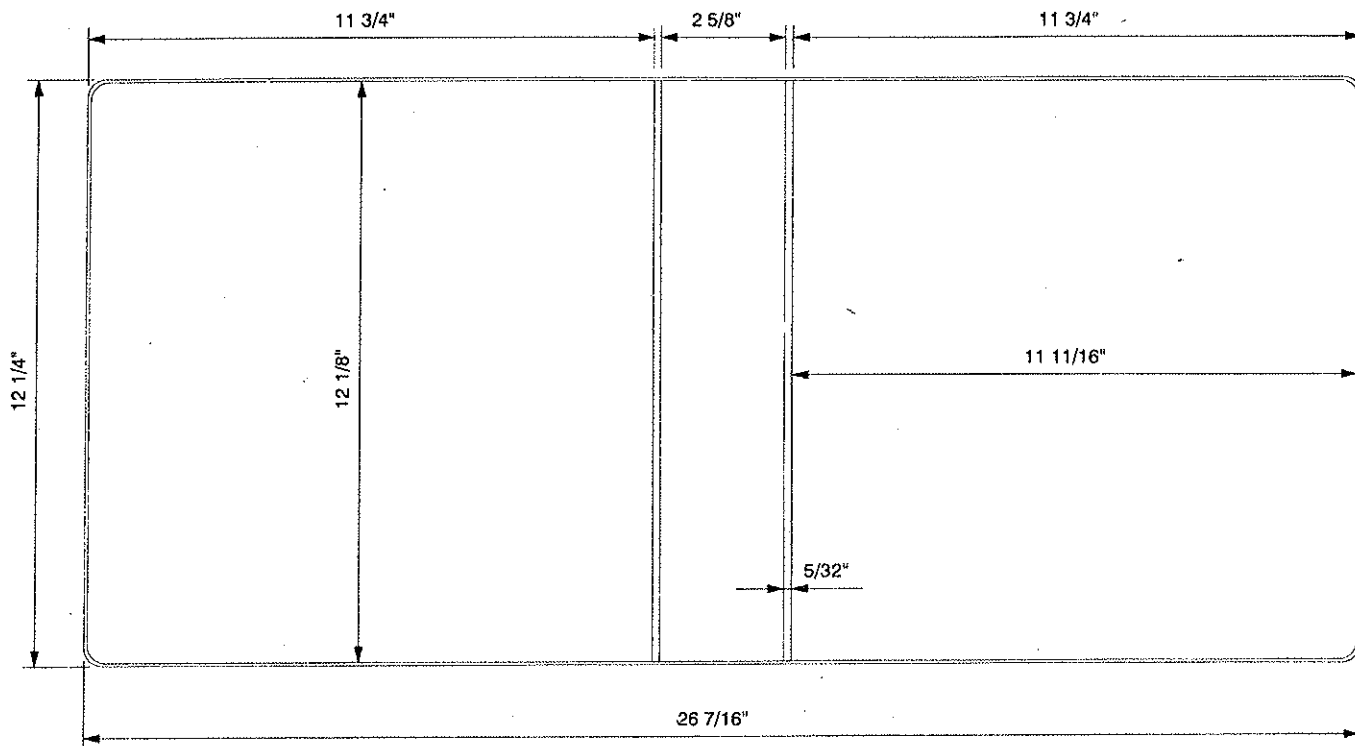


DIE #	6821	METAL	RR W/B PRONG	RADIUS	3/8"
ORDER #	297107	CUSTOMER	TYPE A MARKETING	TEAR SEAL	.012
SHEET SIZE	11.5 x 10	STYLE CASE	VINYL RING BINDER	BAR SEAL	253
CAP.	1"	DUE DATE	12-15-99	COMPLETED	
LOCATION		QUANTITY	1	DATE	12-10-99



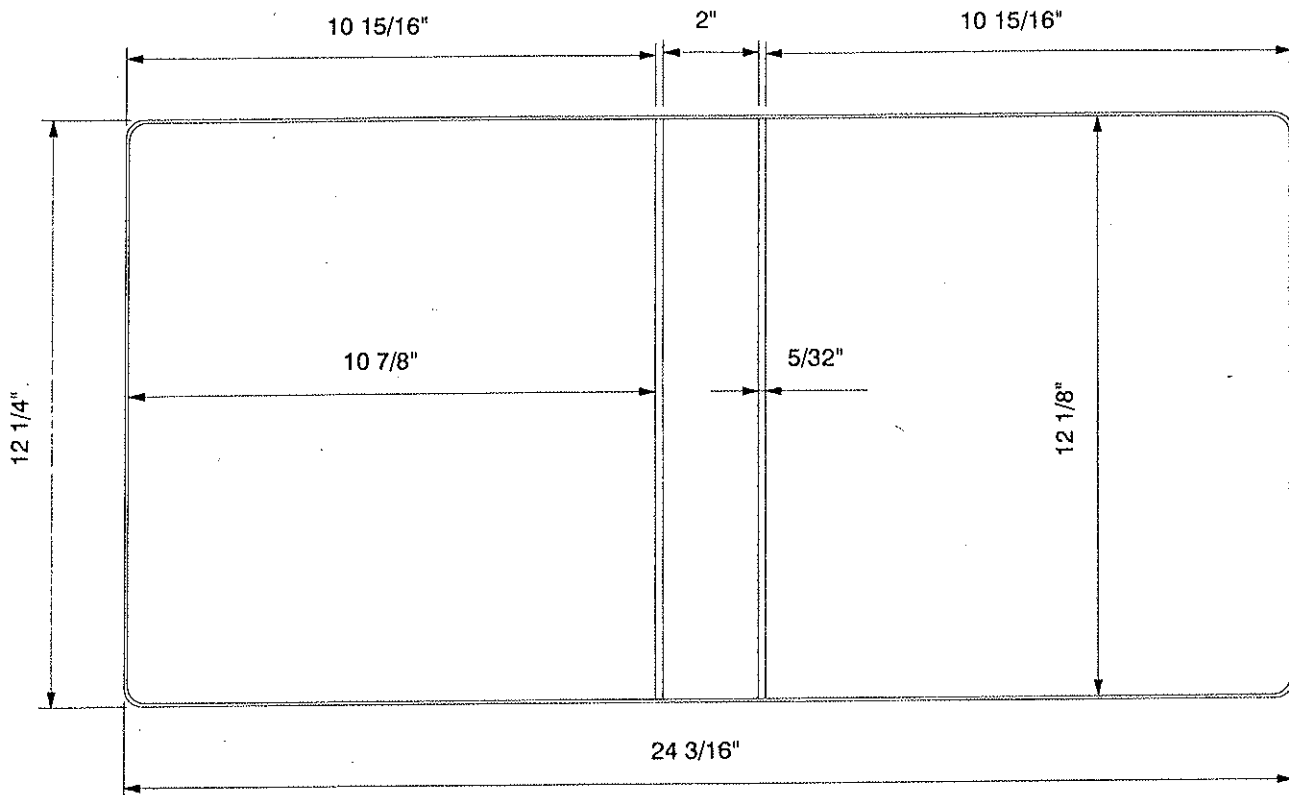
MATERIAL SPECS		GAUGE	PCS.	MATERIAL SPECS		GAUGE	PCS.
COVER MAT.	13 X 25		1	LINING MAT.	13 X 25		1
COVER MAT.	13 X 25	PICTORIAL	1	LINING MAT.			
DIE CUT				HORZ. PKT.	5.1/4 X 25		1
COL				VERT. PKT.			
LABEL HOLDER				DIE CUT			
GUSSET				REINF.			
BOARD SPECS		5/16" R. CORNERS		GAUGE	PCS.	5/16" R. CORNERS	
F.C. BOARD	12 1/16 X 11 1/8	120	1	F.C. BOARD			
B.B. BOARD	12 1/16 X 1 11/32	120	1	B.B. BOARD			
B.C. BOARD	12 1/16 X 11 1/8	120	1	B.C. BOARD			
FLAP BD.				DIE CUT			
BOARD				DIE CUT			

DIE #	6824	METAL	NB ANGLE D	RADIUS	3/8"
ORDER #	299057	CUSTOMER	HAFELE AMERICA CO	TEAR SEAL	.012
SHEET SIZE	11.75 X 9	STYLE CASE	VINYL RING BINDER	BAR SEAL	253
CAP.	2"	DUE DATE	1-6-00	COMPLETED	
LOCATION		QUANTITY	500	DATE	12-17-99



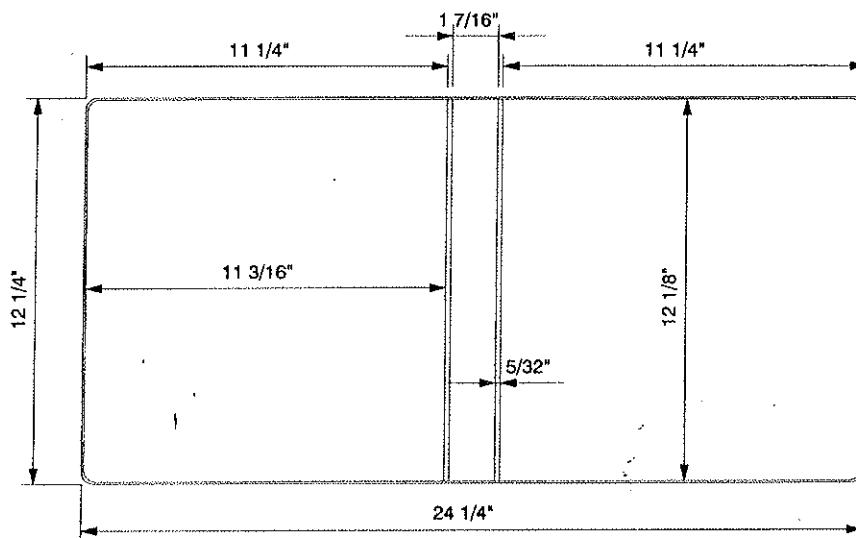
MATERIAL SPECS		GAUGE	PCS.	MATERIAL SPECS		GAUGE	PCS.
COVER MAT.	13 X 27 1/4		1	LINING MAT.	13 X 27 1/4		1
COVER MAT.				LINING MAT.			
DIE CUT				HORZ. PKT.	5 3/8 X 27 1/4		1
COL				VERT. PKT.			
LABEL HOLDER				DIE CUT			
GUSSET				REINF.			
BOARD SPECS		GAUGE	PCS.	BOARD SPECS		GAUGE	PCS.
F.C. BOARD	12 1/16 X 11 5/8	120	1	F.C. BOARD	Padded FC-BB-BC #6824-A		
B.B. BOARD	12 1/16 X 2 11/32	120	1	B.B. BOARD	16 1/8 x 24 11/16		
B.C. BOARD	12 1/16 X 11 5/8	120	1	B.C. BOARD			
FLAP BD.				DIE CUT			
BOARD				DIE CUT			

DIE #	6835	METAL	NB ANGLE D	RADIUS	3/8"
ORDER #	299057	CUSTOMER	HAFELE AMERICA CO	TEAR SEAL	.012
SHEET SIZE	11.75 X 9	STYLE CASE	VINYL RING BINDER	BAR SEAL	253
CAP.	1 1/2"	DUE DATE	1-6-00	COMPLETED	
LOCATION		QUANTITY	500	DATE	12-17-99



MATERIAL SPECS		GAUGE	PCS.	MATERIAL SPECS		GAUGE	PCS.
COVER MAT.	13 X 25		1	LINING MAT.	13 X 25		1
COVER MAT.				LINING MAT.			
DIE CUT				HORZ. PKT.	5 3/8 X 25		1
COL				VERT. PKT.			
LABEL HOLDER				DIE CUT			
GUSSET				REINF.			
BOARD SPECS		GAUGE	PCS.	BOARD SPECS		GAUGE	PCS.
F.C. BOARD	12 1/16 X 10 13/16	120	1	F.C. BOARD	9/16" R. CORNERS		
B.B. BOARD	12 1/16 X 1 29/32	120	1	B.B. BOARD			
B.C. BOARD	12 1/16 X 10 13/16	120	1	B.C. BOARD	5/16" R. CORNERS		
FLAP BD.				DIE CUT			
BOARD				DIE CUT			

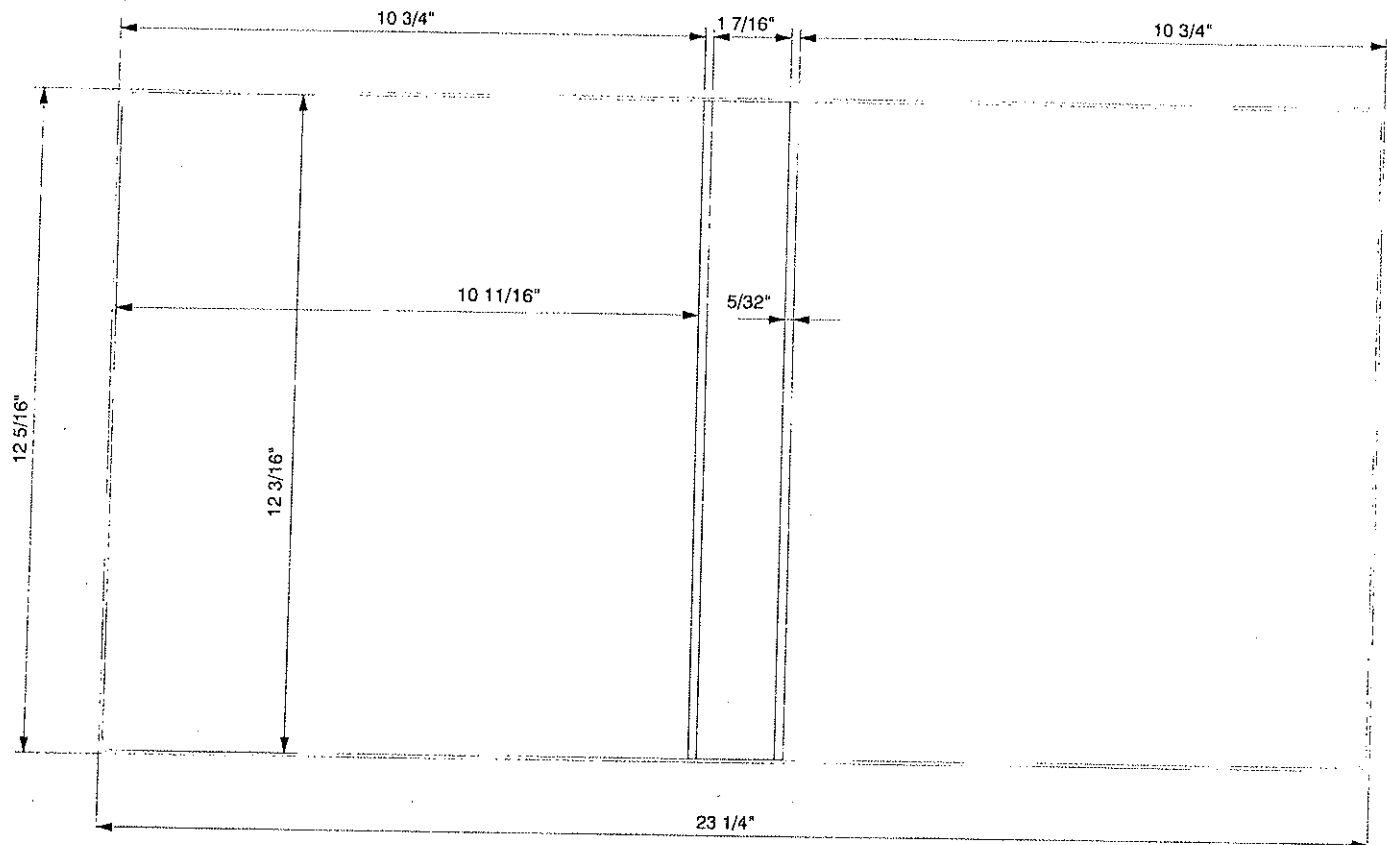
DIE #	6877	METAL	RR W/B PRONG	RADIUS	3/8"
ORDER #	303212	CUSTOMER	TYPE A MARKETING	TEAR SEAL	.012
SHEET SIZE	11.5 x 10	STYLE CASE	1 UP OF 6842	BAR SEAL	254
CAP.	1"	DUE DATE	1-24-00	COMPLETED	
LOCATION		QUANTITY	30,000	DATE	1-11-00



MATERIAL SPECS		GAUGE	PCS.	MATERIAL SPECS		GAUGE	PCS.
COVER MAT.	13 X 25		1	LINING MAT.	13 X 25		1
COVER MAT.	13 X 25	PICTORIAL	1	LINING MAT.			
DIE CUT				HORZ. PKT.	4 7/8 X 25		1
COL				VERT. PKT.			
LABEL HOLDER				DIE CUT			
GUSSET				REINF.			

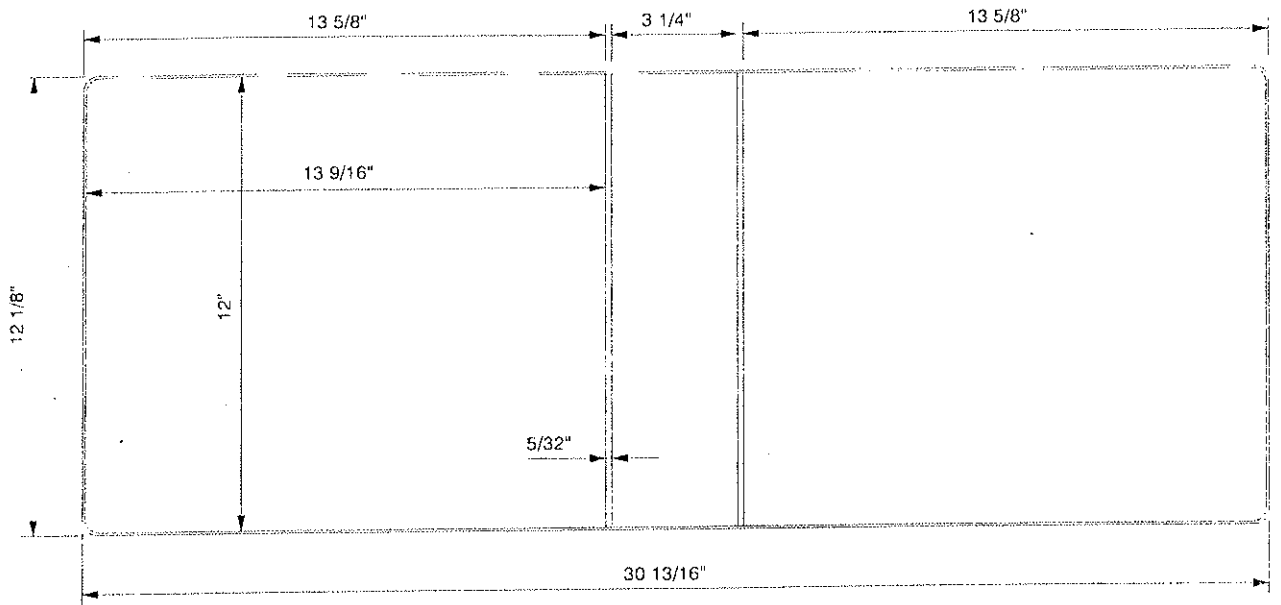
BOARD SPECS		5/16" R. CORNERS		GAUGE	PCS.	BOARD SPECS		5/16" R. CORNERS		GAUGE	PCS.
F.C. BOARD	12 1/16 X 11 1/8	120	1	F.C. BOARD							
B.B. BOARD	12 1/16 X 1 11/32	120	1	B.B. BOARD							
B.C. BOARD	12 1/16 X 11 1/8	120	1	B.C. BOARD							
FLAP BD.				DIE CUT							
BOARD -				DIE CUT							

DIE #	7111-A	METAL	STR D	RADIUS	3/8"
ORDER #	434589	CUSTOMER	THE BROAD STREET GROUP	TEAR SEAL	.014
SHEET SIZE	11.75 X 9.75	STYLE CASE	VINYL RING BINDER	BAR SEAL	48-4
CAP.	1"	DUE DATE	6-25-01	COMPLETED	
LOCATION		QUANTITY	250	DATE	6-13-01



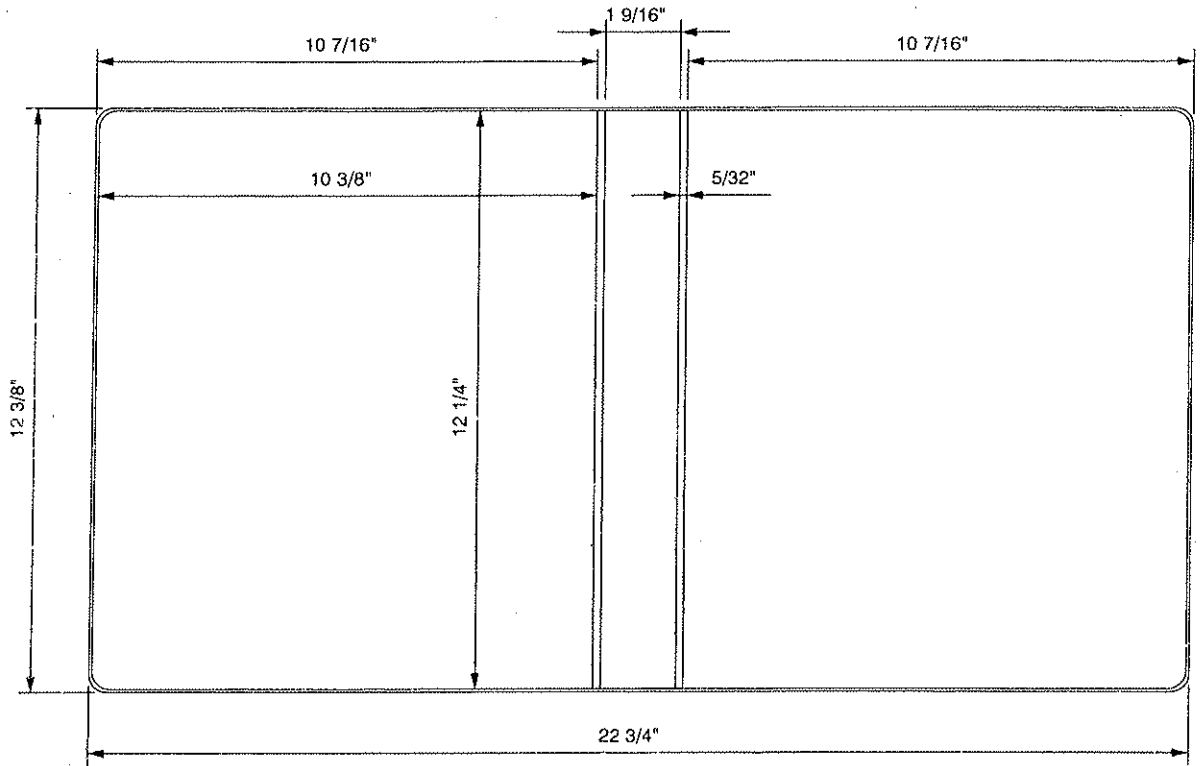
MATERIAL SPECS		GAUGE	PCS.	MATERIAL SPECS		GAUGE	PCS.
COVER MAT.	13 1/4 X 24 1/4		1	LINING MAT.	13 X 24		1
COVER MAT.				LINING MAT.			
DIE CUT				HORZ. PKT.	5 3/8 x 11 1/2		1
COL				VERT. PKT.			
LABEL HOLDER				DIE CUT			
GUSSET				REINF.			
BOARD SPECS		5/16" R. CORNERS		BOARD SPECS		5/16" R. CORNERS	
F.C. BOARD	DIECUT 7111-B			F.C. BOARD			
B.B. BOARD				B.B. BOARD			
B.C. BOARD				B.C. BOARD			
FLAP BD.				DIE CUT			
BOARD				DIE CUT			

DIE #	7226	METAL	ANGLE D	RADIUS	3/8"
ORDER #	482943	CUSTOMER	LITHO INDUSTRIES	TEAR SEAL	.014
SHEET SIZE	11.625 X 10.5	STYLE CASE	VRB	BAR SEAL	48-4
CAP.	2 1/2"	DUE DATE	3-8-02	COMPLETED	
LOCATION		QUANTITY	1010	DATE	3-4-02



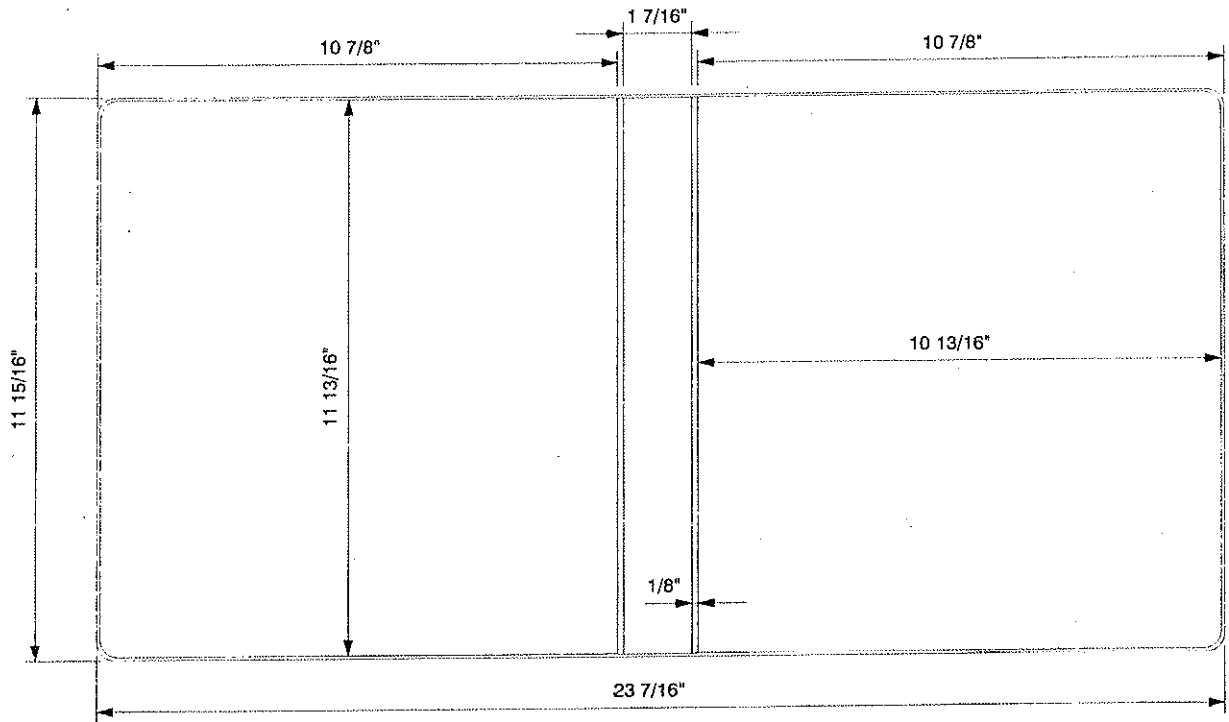
MATERIAL SPECS		GAUGE	PCS.	MATERIAL SPECS		GAUGE	PCS.
COVER MAT.	12 7/8 X 31 1/2		1	LINING MAT.	12 7/8 X 31 1/2		
COVER MAT.				LINING MAT.			
DIE CUT				HORZ. PKT.	5 3/8 X 31 1/2		
COL	12 11/16 X 31 1/2		1	VERT. PKT.			
LABEL HOLDER				DIE CUT			
GUSSET				REINF.			
BOARD SPECS		5/16" R. CORNERS		GAUGE	PCS.	BOARD SPECS	
F.C. BOARD	11 15/16 X 13 1/2	120	1			F.C. BOARD	
B.B. BOARD	11 15/16 X 3 5/32	120	1			B.B. BOARD	
B.C. BOARD	11 15/16 X 13 1/2	120	1			B.C. BOARD	
FLAP BD.						DIE CUT	
BOARD						DIE CUT	

DIE #	7236	METAL	STRAIGHT D	RADIUS	3/8"
ORDER #	486696	CUSTOMER	SAS INSTITUTE	TEAR SEAL	.012
SHEET SIZE	11 3/4 X 9 3/4	STYLE CASE	VRB MATCHED SAMPLE	BAR SEAL	48-4
CAP.	1"	DUE DATE	4-4-02	COMPLETED	
LOCATION		QUANTITY	200	DATE	3-26-02



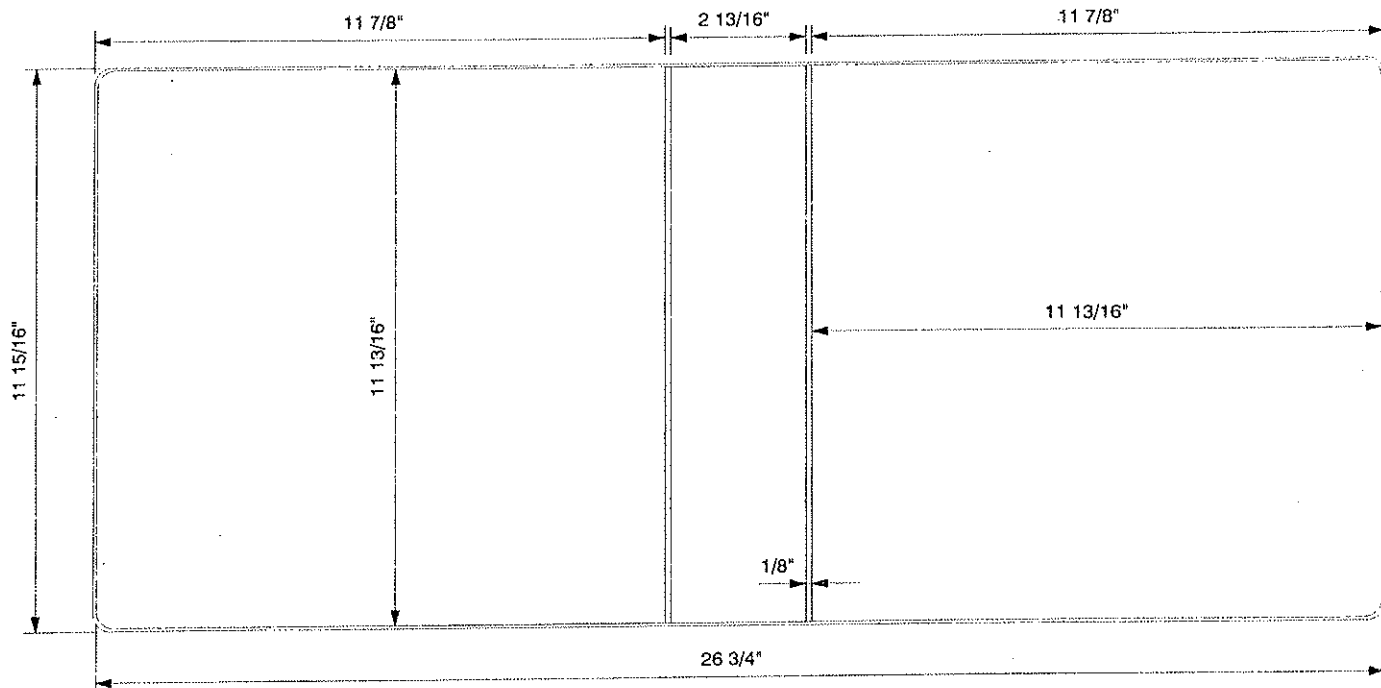
MATERIAL SPECS		GAUGE	PCS.	MATERIAL SPECS		GAUGE
COVER MAT.	13 1/8 X 23 1/2		1	LINING MAT.	13 1/8 X 23 1/2	
COVER MAT.				LINING MAT.		
DIE CUT				HORZ. PKT.		
COL	12 1/2 X 23 1/2		1	VERT. PKT.		
LABEL HOLDER				DIE CUT		
GUSSET				REINF.		
BOARD SPECS		GAUGE	PCS.	BOARD SPECS		GAUGE
F.C. BOARD	12 3/16 X 10 5/16	100	1	F.C. BOARD		
B.B. BOARD	12 3/16 X 1 15/32	100	1	B.B. BOARD		
B.C. BOARD	12 3/16 X 10 5/16	100	1	B.C. BOARD		
FLAP BD.				DIE CUT		
BOARD				DIE CUT		

DIE #	7238	METAL	STR D	RADIUS	3/8"
ORDER #	487218	CUSTOMER	MORGAN STANLEY	TEAR SEAL	.014
SHEET SIZE	11.25 X 9.75	STYLE CASE	VINYL RING BINDER	BAR SEAL	48-3
CAP.	1"	DUE DATE	3-29-02	COMPLETED	
LOCATION		QUANTITY	5	DATE	4-1-02



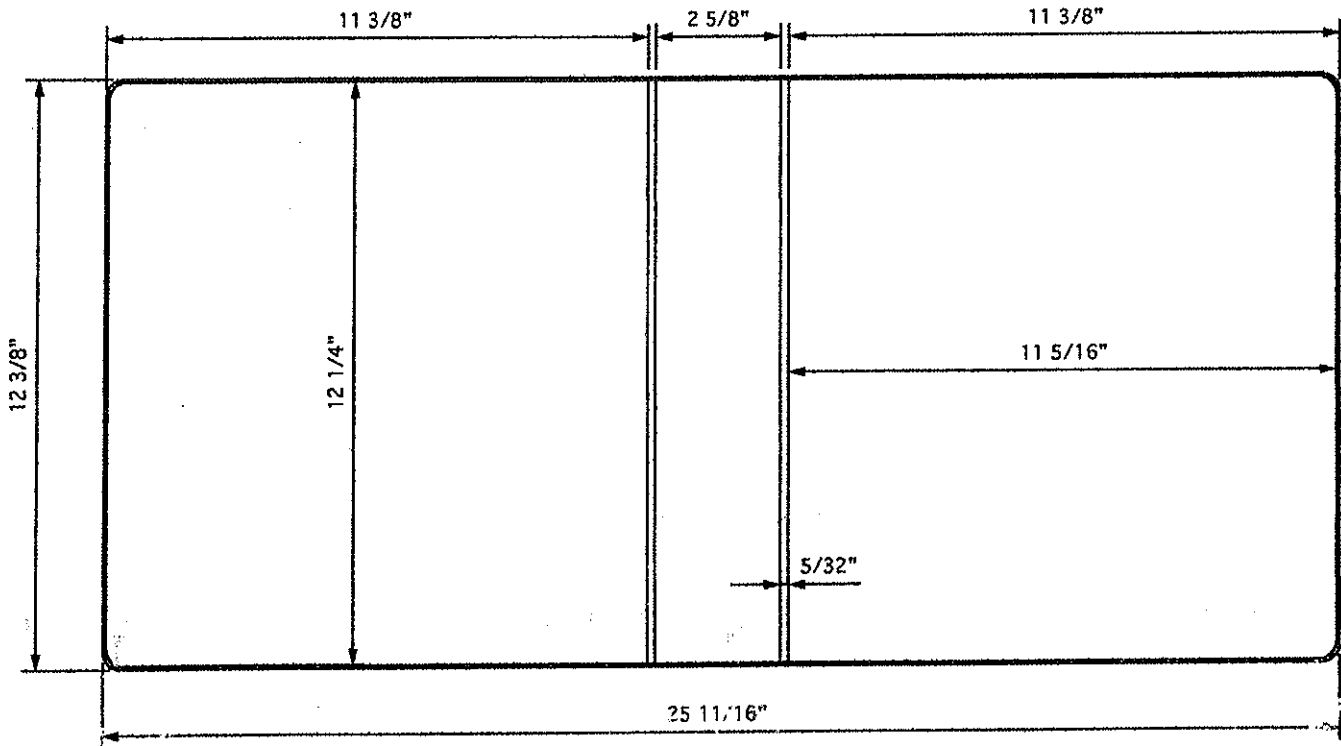
MATERIAL SPECS		GAUGE	PCS.	MATERIAL SPECS		GAUGE	PCS.
COVER MAT.	12 15/16 X 24 1/2		1	LINING MAT.	12 11/16 X 24 1/4		1
COVER MAT.				LINING MAT.			
DIE CUT				HORZ. PKT.			
COL				VERT. PKT.			
LABEL HOLDER				DIE CUT			
GUSSET				REINF.			
BOARD SPECS		GAUGE	PCS.	BOARD SPECS		GAUGE	PCS.
	5/16" R. CORNERS				5/16" R. CORNERS		
F.C. BOARD	11 23/32 X 10 23/32		1	F.C. BOARD			
B.B. BOARD	11 23/32 X 1 11/32		1	B.B. BOARD			
B.C. BOARD	11 23/32 X 10 23/32		1	B.C. BOARD			
FLAP BD.				DIE CUT			
BOARD				DIE CUT			

DIE #	7239	METAL	STR D	RADIUS	3/8"
ORDER #	487226	CUSTOMER	MORGAN STANLEY	TEAR SEAL	.014
SHEET SIZE	11.25 X 9.75	STYLE CASE	VINYL RING BINDER	BAR SEAL	48-3
CAP.	2"	DUE DATE	3-29-02	COMPLETED	
LOCATION		QUANTITY	5	DATE	4-1-02



MATERIAL SPECS		GAUGE	PCS.	MATERIAL SPECS		GAUGE	PCS.
COVER MAT.	12 15/16 X 27 3/4		1	LINING MAT.	12 11/16 X 27 1/2		1
COVER MAT.				LINING MAT.			
DIE CUT				HORZ. PKT.			
COL				VERT. PKT.			
LABEL HOLDER				DIE CUT			
GUSSET				REINF.			
BOARD SPECS		GAUGE	PCS.	BOARD SPECS		GAUGE	PCS.
	5/16" R. CORNERS				5/16" R. CORNERS		
F.C. BOARD	11 23/32 X 11 23/32	120	1	F.C. BOARD			
B.B. BOARD	11 23/32 X 2 23/32	120	1	B.B. BOARD			
B.C. BOARD	11 23/32 X 11 23/32	120	1	B.C. BOARD			
FLAP BD.				DIE CUT			
BOARD				DIE CUT			

DIE #	7326	METAL	STR D	RADIUS	3/8"
ORDER #	520217	CUSTOMER	ORGANIZE ME NOW	TEAR SEAL	.014
SHEET SIZE	11.75 X 9 3/4	STYLE CASE	VINYL RING BINDER	BAR SEAL	48-4
CAP.	1 1/2"	DUE DATE	10-18-02	COMPLETED	
LOCATION		QUANTITY	4	DATE	10-8-02

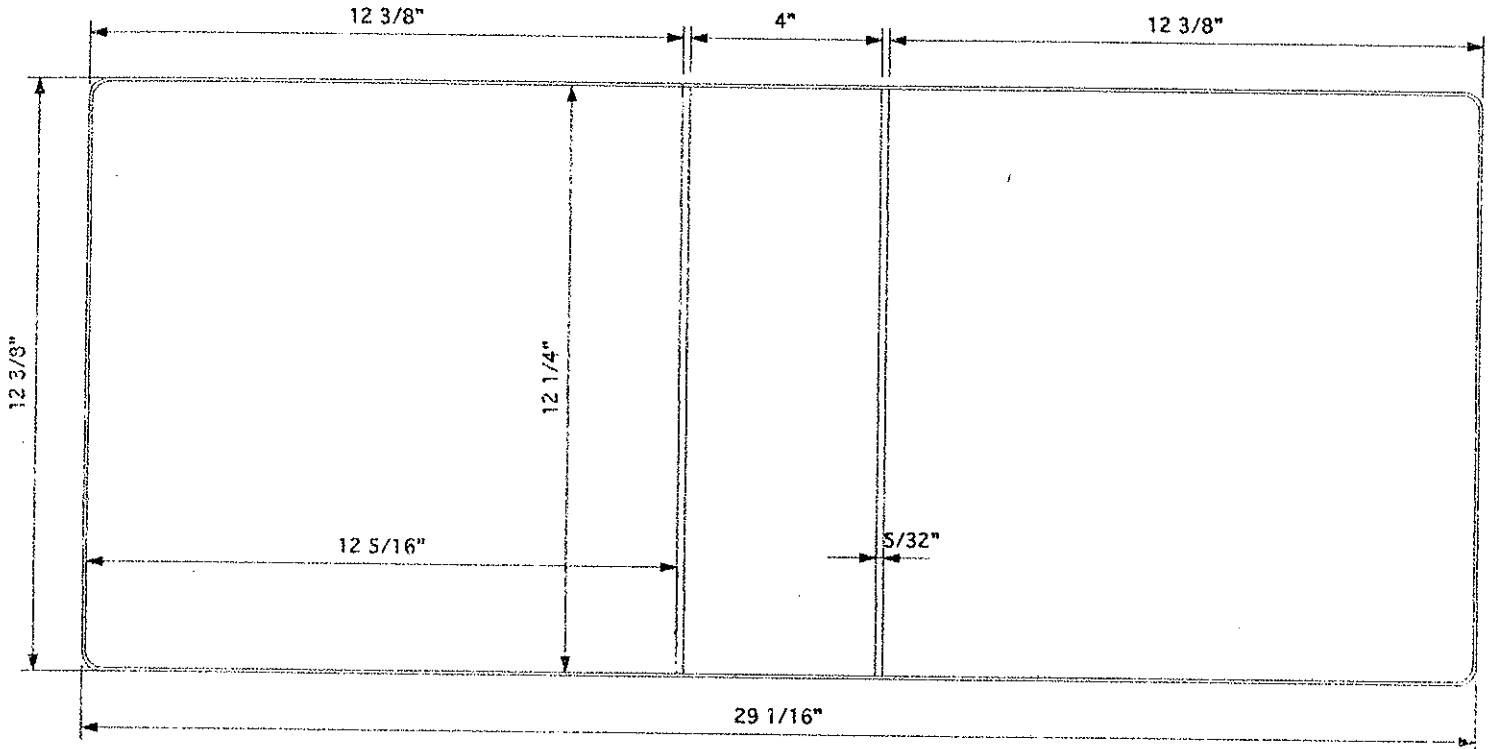


MATERIAL SPECS		GAUGE	PCS.	MATERIAL SPECS		GAUGE	PCS.				
COVER MAT.	13 1/8 X 27		1	LINING MAT.	13 1/8 X 26 1/2		1				
COVER MAT.				LINING MAT.							
DIE CUT				HORZ. PKT.	5 3/8 X 26 1/2		1				
COL				VERT. PKT.							
LABEL HOLDER				DIE CUT							
GUSSET				REINF.							
BOARD SPECS		5/16" R. CORNERS		GAUGE	PCS.	BOARD SPECS		5/16" R. CORNERS		GAUGE	PCS.
F.C. BOARD	12 5/32 X 11 7/32	120	1	F.C. BOARD							
B.B. BOARD	12 5/32 X 2 17/32	120	1	B.B. BOARD							
B.C. BOARD	12 5/32 X 11 7/32	120	1	B.C. BOARD							
FLAP BD.				DIE CUT							
BOARD				DIE CUT							

Stock #4

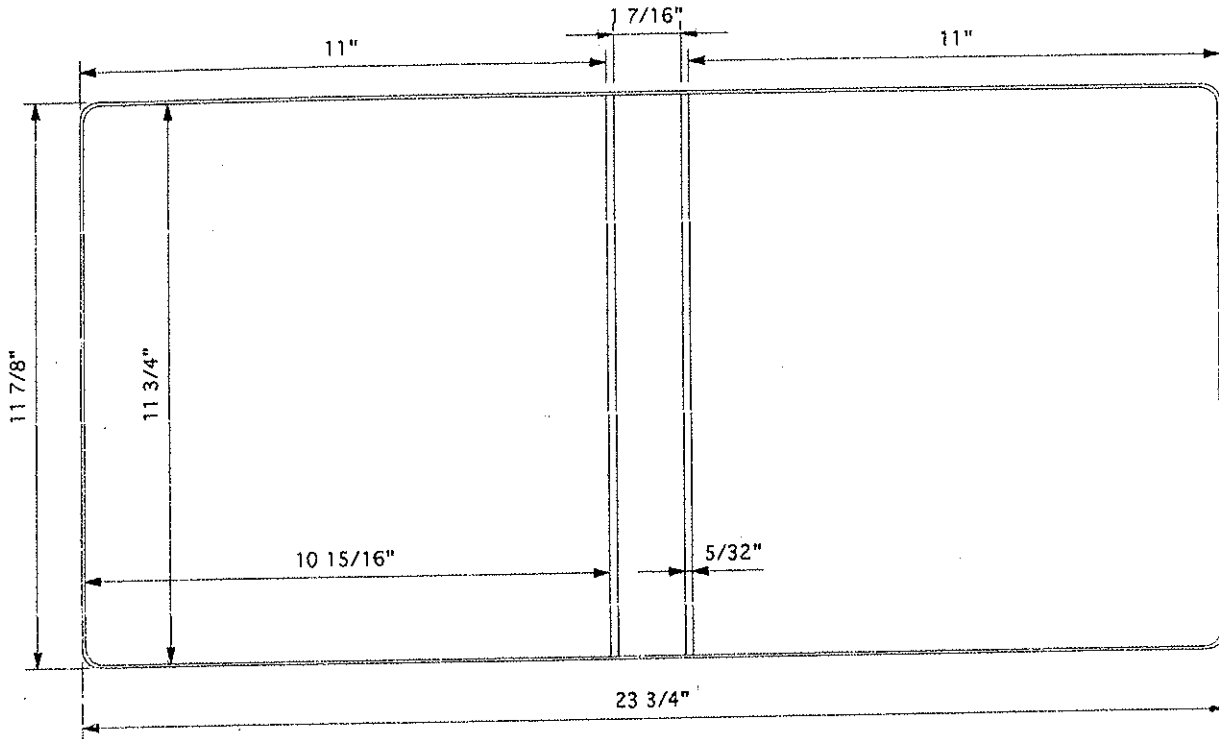
3 Stock Die

DIE #	7593-A	METAL	3" RR	RADIUS	3/8"
ORDER #	591613	CUSTOMER	SAS INSTITUTE	TEAR SEAL	.016
SHEET SIZE	11 3/4 x 8 1/4 + 1/2	STYLE CASE	VINYL BINDER	BAR SEAL	48-4
CAP.	3"	DUE DATE	12-23-03	COMPLETED	
LOCATION		QUANTITY	1000	DATE	12-22-03



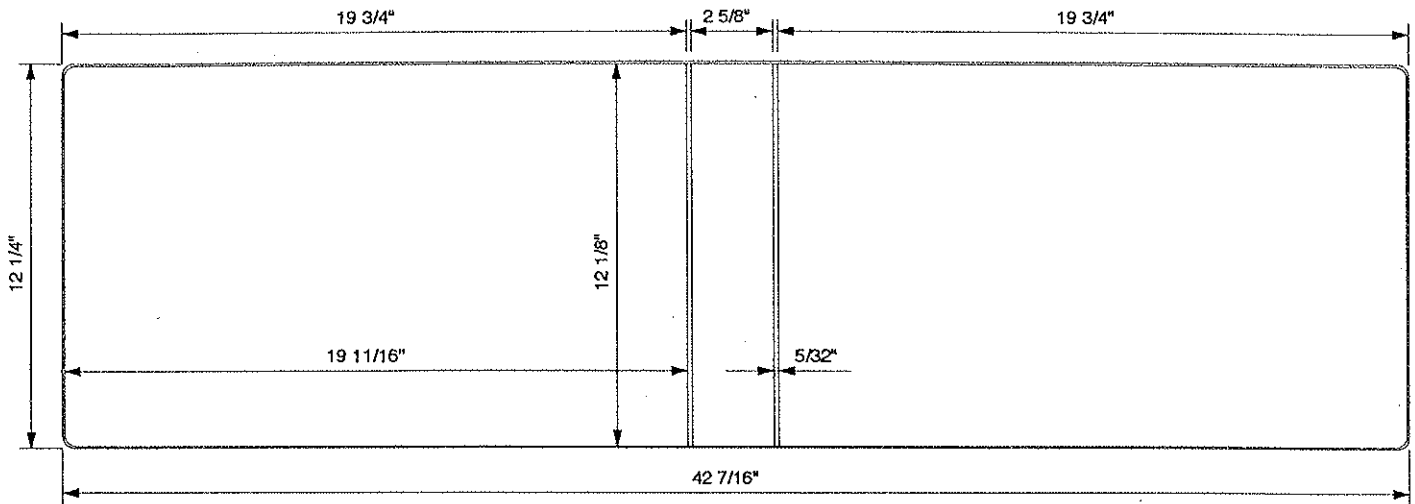
MATERIAL SPECS		GAUGE	PCS.	MATERIAL SPECS		GAUGE	PCS.	
COVER MAT.	13 X 30		1	LINING MAT.	13 X 30		1	
COVER MAT.				LINING MAT.				
DIE CUT				HORZ. PKT.	4 7/8 X 30		1	
COL	12 1/2 X 30		1	VERT. PKT.				
LABEL HOLDER				DIE CUT				
GUSSET				REINF.				
BOARD SPECS		5/16" R. CORNERS	GAUGE	PCS.	BOARD SPECS	5/16" R. CORNERS	GAUGE	PCS.
F.C. BOARD	12 5/32 X 12 7/32		120	1	F.C. BOARD			
B.B. BOARD	12 5/32 X 3 29/32		120	1	B.B. BOARD			
B.C. BOARD	12 5/32 X 12 7/32		120	1	B.C. BOARD			
FLAP BD.					DIE CUT			
BOARD	12 1/8 X 3 7/8			1	DIE CUT			

DIE #	7632	METAL	RR - STR D	RADIUS	3/8"
ORDER #	603426	CUSTOMER	PRINT PROMOTIONS	TEAR SEAL	.014
SHEET SIZE	11 3/8 X 9 3/4	STYLE CASE	VINYL BINDER	BAR SEAL	48-4
CAP.	1"	DUE DATE	2-18-04	COMPLETED	
LOCATION		QUANTITY	100	DATE	2-10-04



MATERIAL SPECS		GAUGE	PCS.	MATERIAL SPECS	GAUGE	PCS.
COVER MAT.	12 5/8 X 24 1/2		1	LINING MAT.	12 5/8 X 24 1/2	1
COVER MAT.				LINING MAT.		
DIE CUT				HORZ. PKT.		
COL	12 X 24 1/2		1	VERT. PKT.		
LABEL HOLDER				DIE CUT		
GUSSET				REINF.		
BOARD SPECS		GAUGE	PCS.	BOARD SPECS	GAUGE	PCS.
F.C. BOARD	11 21/32 X 10 27/32	100	1	F.C. BOARD		
B.B. BOARD	11 21/32 X 1 11/32	100	1	B.B. BOARD		
B.C. BOARD	11 21/32 X 10 27/32	100	1	B.C. BOARD		
FLAP BD.				DIE CUT		
BOARD	11 5/8 X 1 5/16	35	1	DIE CUT		

DIE #	7983	METAL	A4 AD NB	RADIUS	3/8"
ORDER #	694364	CUSTOMER	JP COMPANIES	TEAR SEAL	.016
SHEET SIZE	11 3/4 X 17	STYLE CASE	VINYL BINDER	BAR SEAL	48-4
CAP.	2"	DUE DATE	9-9-05	COMPLETED	
LOCATION		QUANTITY	125	DATE	9-1-05

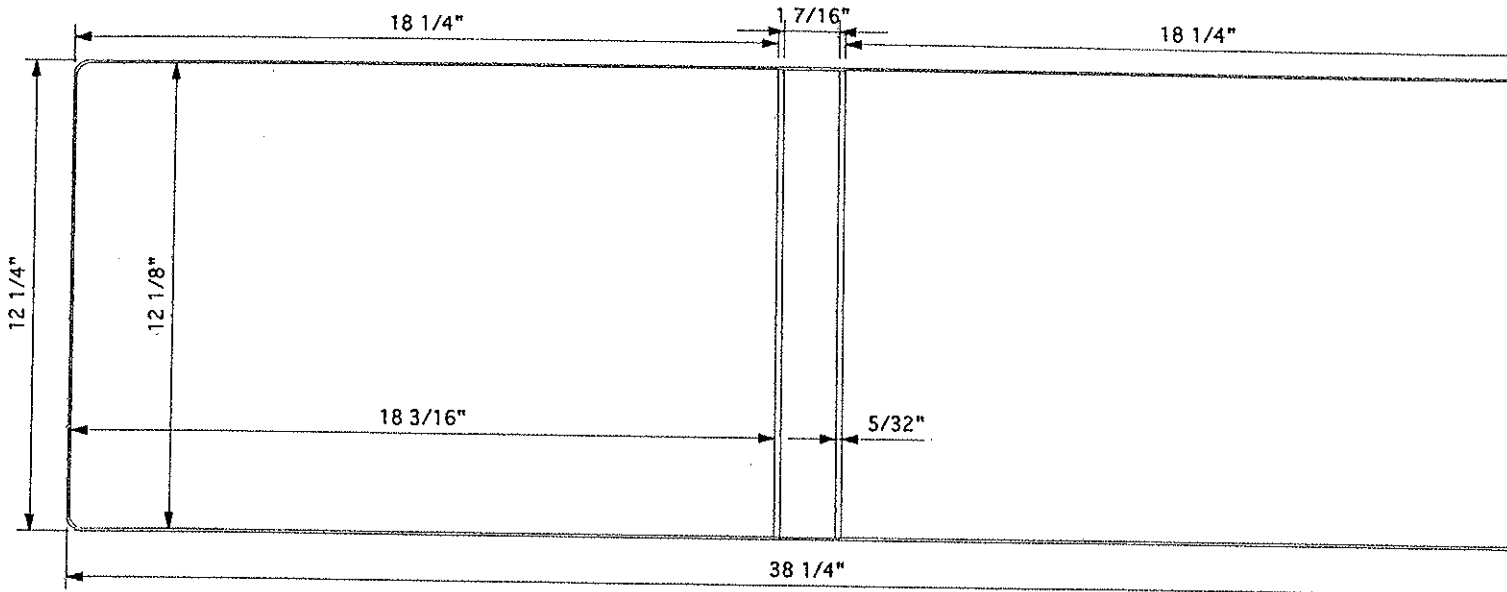


MATERIAL SPECS		GAUGE	PCS.	MATERIAL SPECS		GAUGE	PCS.				
COVER MAT.	13 X 43 3/8		1	LINING MAT.	13 X 43 3/8		1				
COVER MAT.				LINING MAT.							
DIE CUT				HORZ. PKT.	5 3/8 X 43 3/8		1				
COL	12 3/8 X 23 5/8		1	VERT. PKT.							
LABEL HOLDER				DIE CUT							
GUSSET				REINF.							
BOARD SPECS		5/16" R. CORNERS		GAUGE	PCS.	BOARD SPECS		5/16" R. CORNERS		GAUGE	PCS.
F.C. BOARD	12 1/32 X 19 19/32	120	1	F.C. BOARD							
B.B. BOARD	12 1/32 X 2 17/32	120	1	B.B. BOARD							
B.C. BOARD	12 1/32 X 19 19/32	120	1	B.C. BOARD							
FLAP BD.				DIE CUT							
BOARD				DIE CUT							

A.3

DIE #	8206	METAL	A4 RR NO BOOSTER	RADIUS	3/8"
ORDER #	755999	CUSTOMER	DOCUMENT ENGINE LLC	TEAR SEAL	.014
SHEET SIZE	11 3/4 X 17 1/16	STYLE CASE	VINYL BINDER	BAR SEAL	48-4
CAP.	1"	DUE DATE	10-25-06	COMPLETED	
LOCATION		QUANTITY	250	DATE	10-3-06

*** WARNING DRAWING NOT ACTUAL SIZE ***

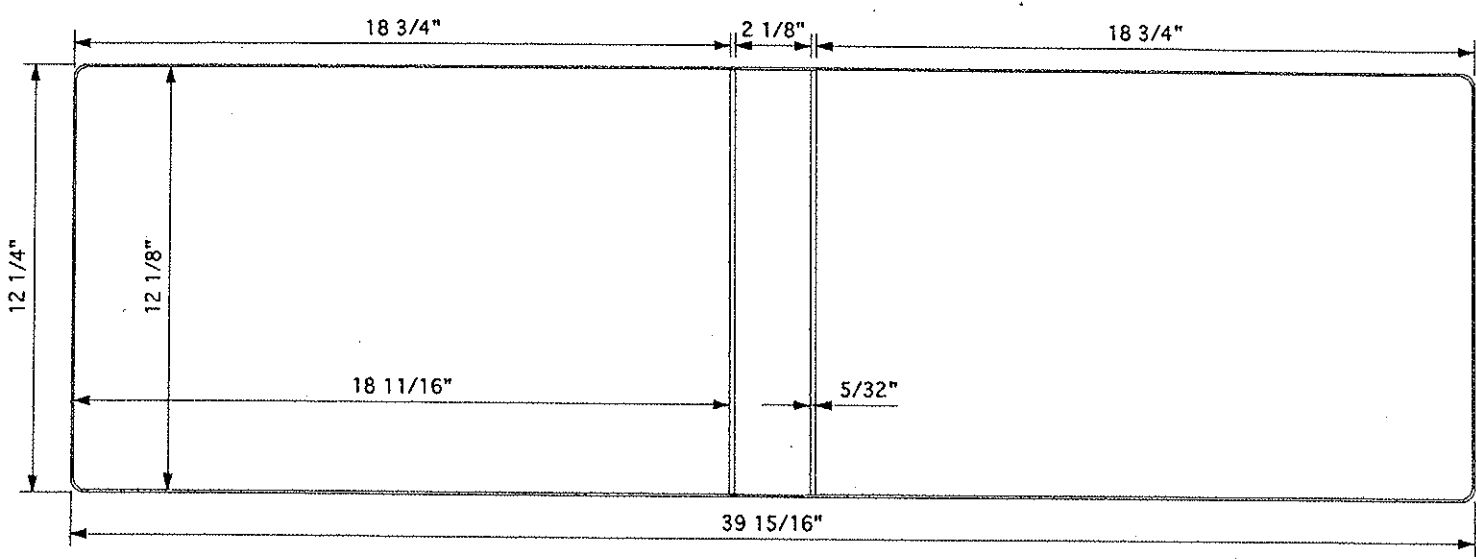


MATERIAL SPECS		GAUGE	PCS.	MATERIAL SPECS		GAUGE	PCS.
COVER MAT.	13 X 39		1	LINING MAT.	13 X 39		1
COVER MAT.				LINING MAT.			
DIE CUT				HORZ. PKT.			
COL	12 3/8 X 39		1	VERT. PKT.			
LABEL HOLDER				DIE CUT			
GUSSET				REINF.			
BOARD SPECS		GAUGE	PCS.	BOARD SPECS		GAUGE	PCS.
F.C. BOARD	12 1/32 X 18 3/32	118	1	F.C. BOARD			
B.B. BOARD	12 1/32 X 1 11/32	118	1	B.B. BOARD			
B.C. BOARD	12 1/32 X 18 3/32	118	1	B.C. BOARD			
FLAP BD.				DIE CUT			
BOARD	12 X 1 5/16		1	DIE CUT			

A-3

DIE #	8207	METAL	A4 RR NO BOOSTER	RADIUS	3/8"
ORDER #	756001	CUSTOMER	DOCUMENT ENGINE LLC	TEAR SEAL	.014
SHEET SIZE	11 3/4 X 17 1/16	STYLE CASE	VINYL BINDER	BAR SEAL	48-4
CAP.	1 1/2"	DUE DATE	10-25-06	COMPLETED	
LOCATION		QUANTITY	250	DATE	10-3-06

*** WARNING DRAWING NOT ACTUAL SIZE ***



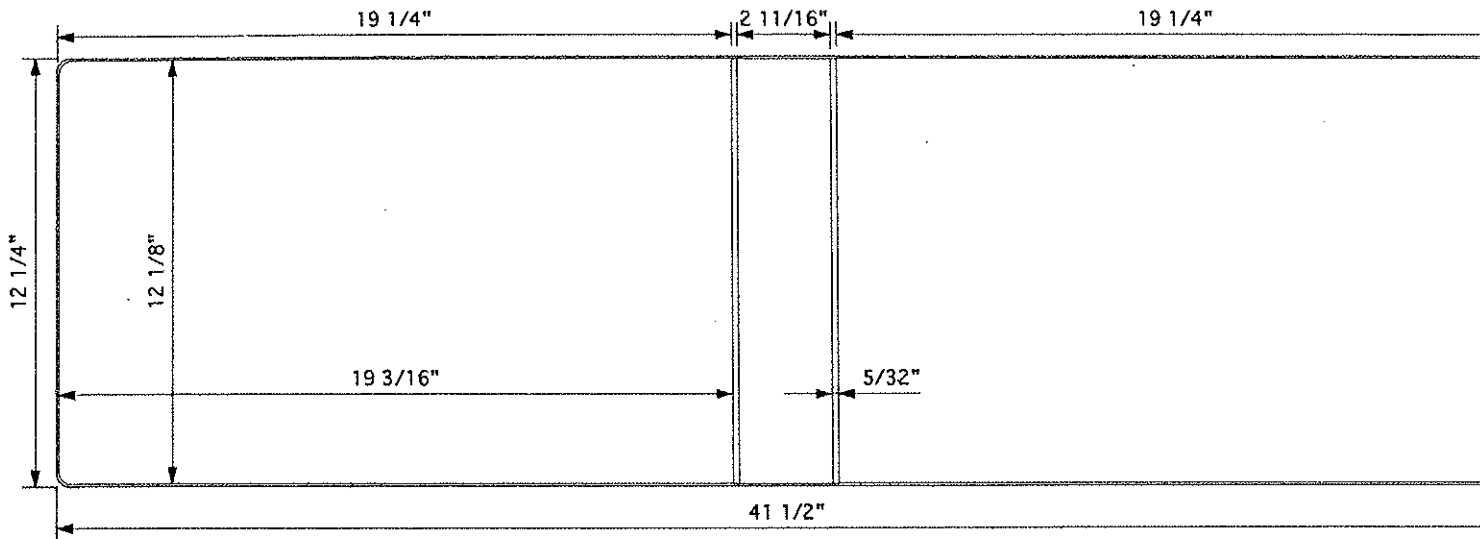
BOARD SPECS		5/16" R. CORNERS		GAUGE	PCS.	BOARD SPECS		5/16" R. CORNERS		GAUGE	PCS.
F.C. BOARD	12 1/32 X 18 19/32	118	1	F.C. BOARD							
B.B. BOARD	12 1/32 X 2 1/32	118	1	B.B. BOARD							
B.C. BOARD	12 1/32 X 18 19/32	118	1	B.C. BOARD							
FLAP BD.				DIE CUT							
BOARD	12 X 2			DIE CUT							
		BU STRIP	1								

MATERIAL SPECS		GAUGE	PCS.	MATERIAL SPECS		GAUGE	PCS.
COVER MAT.	13 X 40 3/4		1	LINING MAT.	13 X 40 3/4		1
COVER MAT.				LINING MAT.			
DIE CUT				HORZ. PKT.			
COL	12 3/8 X 40 3/4		1	VERT. PKT.			
LABEL HOLDER				DIE CUT			
GUSSET				REINF.			

A-3

DIE #	8208	METAL	A4 RR NO BOOSTER	RADIUS	3/8"
ORDER #	756019	CUSTOMER	DOCUMENT ENGINE LLC	TEAR SEAL	.014
SHEET SIZE	11 3/4 X 17 1/16	STYLE CASE	VINYL BINDER	BAR SEAL	48-4
CAP.	2"	DUE DATE	10-25-06	COMPLETED	
LOCATION		QUANTITY	250	DATE	10-3-06

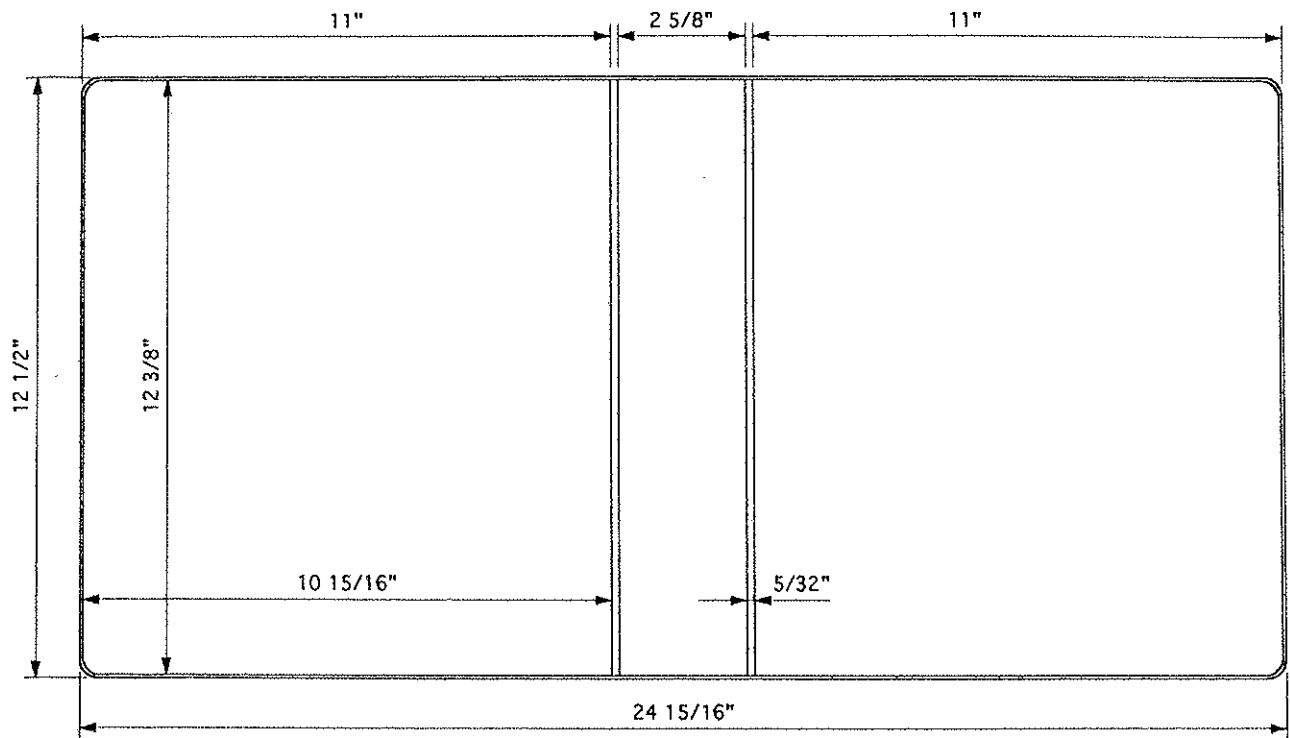
*** WARNING DRAWING NOT ACTUAL SIZE ***



MATERIAL SPECS		GAUGE	PCS.	MATERIAL SPECS		GAUGE	PCS.
COVER MAT.	13 X 42 1/4		1	LINING MAT.	13 X 42 1/4		1
COVER MAT.				LINING MAT.			
DIE CUT				HORZ. PKT.			
COL	12 3/8 X 42 1/4		1	VERT. PKT.			
LABEL HOLDER				DIE CUT			
GUSSET				REINF.			
BOARD SPECS		GAUGE	PCS.	BOARD SPECS		GAUGE	PCS.
5/16" R. CORNERS				5/16" R. CORNERS			
F.C. BOARD	12 1/32 X 19 3/32	118	1	F.C. BOARD			
B.B. BOARD	12 1/32 X 2 19/32	118	1	B.B. BOARD			
B.C. BOARD	12 1/32 X 19 3/32	118	1	B.C. BOARD			
FLAP BD.				DIE CUT			
BOARD	12 X 2 9/16		1	DIE CUT			
		BU STRIP					

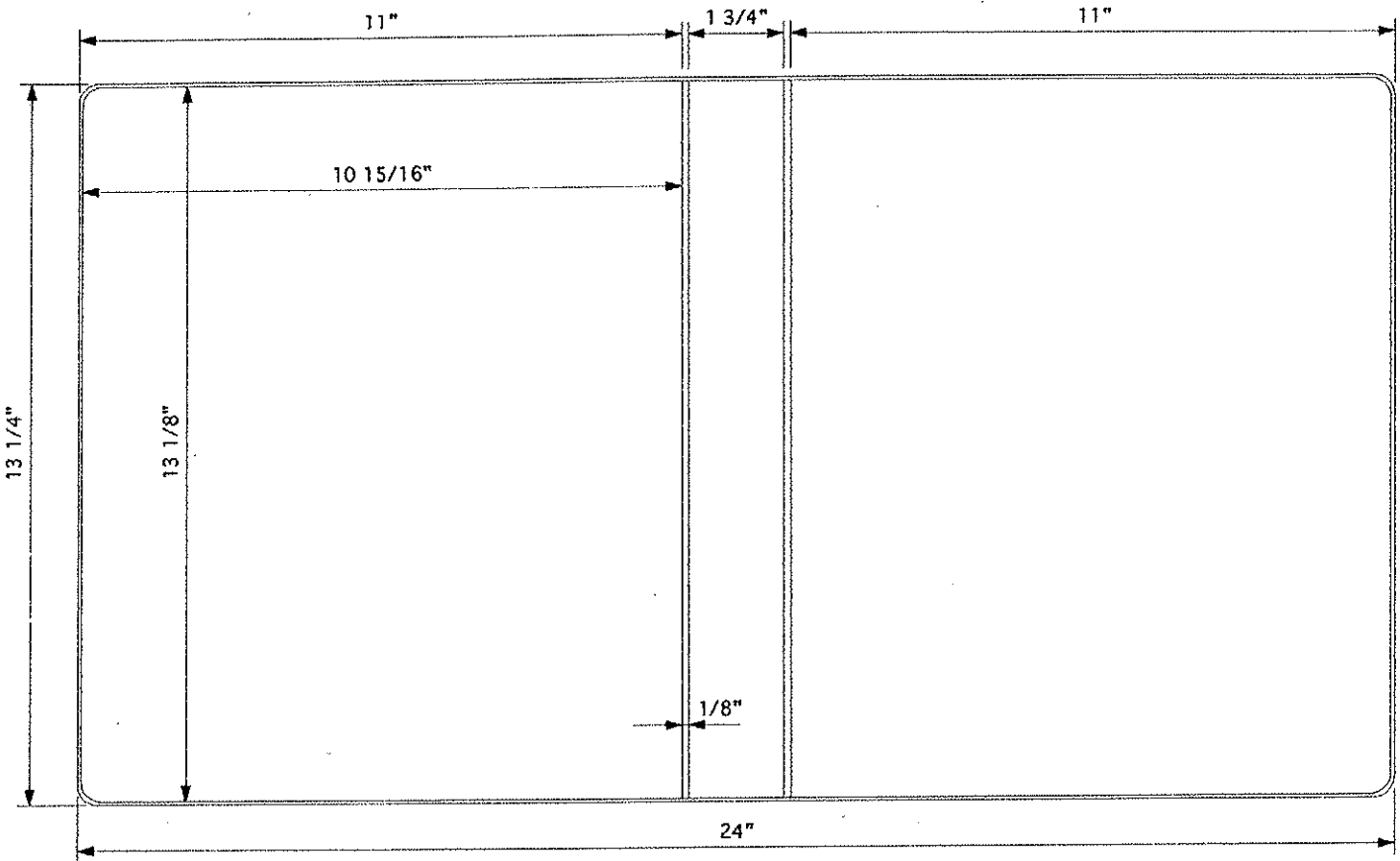
DIE #	8350	METAL	ANGLE D	RADIUS	3/8"
ORDER #	796619	CUSTOMER	MASTERBRANDS	TEAR SEAL	.012
SHEET SIZE	12 X 8 1/2	STYLE CASE	VINYL BINDER	BAR SEAL	48-4
CAP.	2"	DUE DATE	8-3-07	COMPLETED	
LOCATION		QUANTITY	1500	DATE	7-13-07

*** WARNING DRAWING NOT ACTUAL SIZE ***



MATERIAL SPECS		GAUGE	PCS.	MATERIAL SPECS		GAUGE	PCS.
COVER MAT.	13 1/4 X 25 3/4		1	LINING MAT.	13 1/4 X 25 3/4		1
COVER MAT.				LINING MAT.			
DIE CUT				HORZ. PKT.	4 7/8 X 25 3/4		1
COL				VERT. PKT.			
LABEL HOLDER				DIE CUT			
GUSSET				REINF.			
BOARD SPECS		5/16" R. CORNERS		GAUGE	PCS.	BOARD SPECS	
F.C. BOARD	12 5/16 X 10 7/8	120	1	F.C. BOARD			
B.B. BOARD	12 5/16 X 2 17/32	120	1	B.B. BOARD			
B.C. BOARD	12 5/16 X 10 7/8	120	1	B.C. BOARD			
FLAP BD.				DIE CUT			
BOARD				DIE CUT			

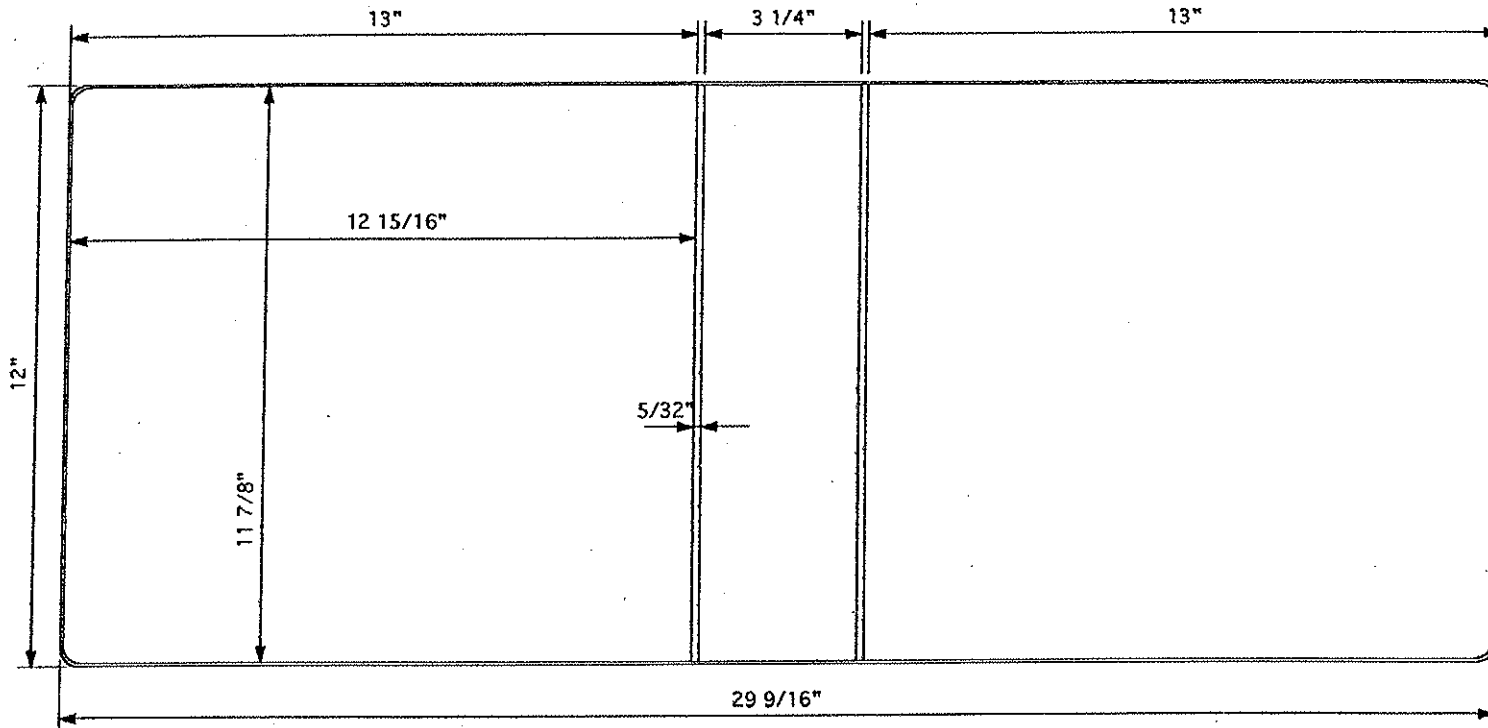
DIE #	8624	METAL	RR N/B	RADIUS	3/8"
ORDER #	873717	CUSTOMER	BAGS UNLIMITED	TEAR SEAL	SPECIAL
SHEET SIZE	12 X 9 1/2	STYLE CASE	VINYL BINDER	BAR SEAL	FLAT 253
CAP.	1 1/2"	DUE DATE	12-15-08	COMPLETED	
LOCATION		QUANTITY	250	DATE	12-5-08



MATERIAL SPECS		GAUGE	PCS.	MATERIAL SPECS		GAUGE	PCS.
COVER MAT.	14 X 24 3/4		1	LINING MAT.	14 X 24 3/4		1
COVER MAT.				LINING MAT.			
DIE CUT				HORZ. PKT.			
COL				VERT. PKT.			
LABEL HOLDER				DIE CUT			
GUSSET				REINF.			
BOARD SPECS	5/16" R. CORNERS	GAUGE	PCS.	BOARD SPECS	5/16" R. CORNERS	GAUGE	PCS.
F.C. BOARD	13 1/16 X 10 7/8	100	1	F.C. BOARD			
B.B. BOARD	13 1/16 X 1 21/32	100	1	B.B. BOARD			
B.C. BOARD	13 1/16 X 10 7/8	100	1	B.C. BOARD			
FLAP BD.				DIE CUT			
BOARD				DIE CUT			

DIE #	8670-C	METAL	ANGLE D	RADIUS	3/8"
ORDER #	885312	CUSTOMER	RTC	TEAR SEAL	.014
SHEET SIZE	11 3/8 X 10 5/16	STYLE CASE	VINYL BINDER	BAR SEAL	254
CAP.	2 1/2"	DUE DATE	3-6-09	COMPLETED	
LOCATION		QUANTITY	1	DATE	3-6-09

*** WARNING DRAWING NOT ACTUAL SIZE ***



MATERIAL SPECS		GAUGE	PCS.	MATERIAL SPECS		GAUGE	PCS.				
COVER MAT.	12 3/4 X 30 3/8		1	LINING MAT.	12 3/4 X 30 3/8		1				
COVER MAT.				LINING MAT.							
DIE CUT				HORZ. PKT.							
COL				VERT. PKT.							
LABEL HOLDER				DIE CUT							
GUSSET				REINF.							
BOARD SPECS		5/16" R. CORNERS		GAUGE	PCS.	BOARD SPECS		5/16" R. CORNERS		GAUGE	PCS.
F.C. BOARD	11 13/16 X 12 7/8	120	1	F.C. BOARD							
B.B. BOARD	11 13/16 X 3 5/32	120	1	B.B. BOARD							
B.C. BOARD	11 13/16 X 12 7/8	120	1	B.C. BOARD							
FLAP BD.				DIE CUT							
BOARD				DIE CUT							