

Product Code

Style Case *Ring Binder*

Sheet Size *7 1/4 X 4 1/4* Cap. *3/4* Die No. *2209* Order No. *35867-1* Plate

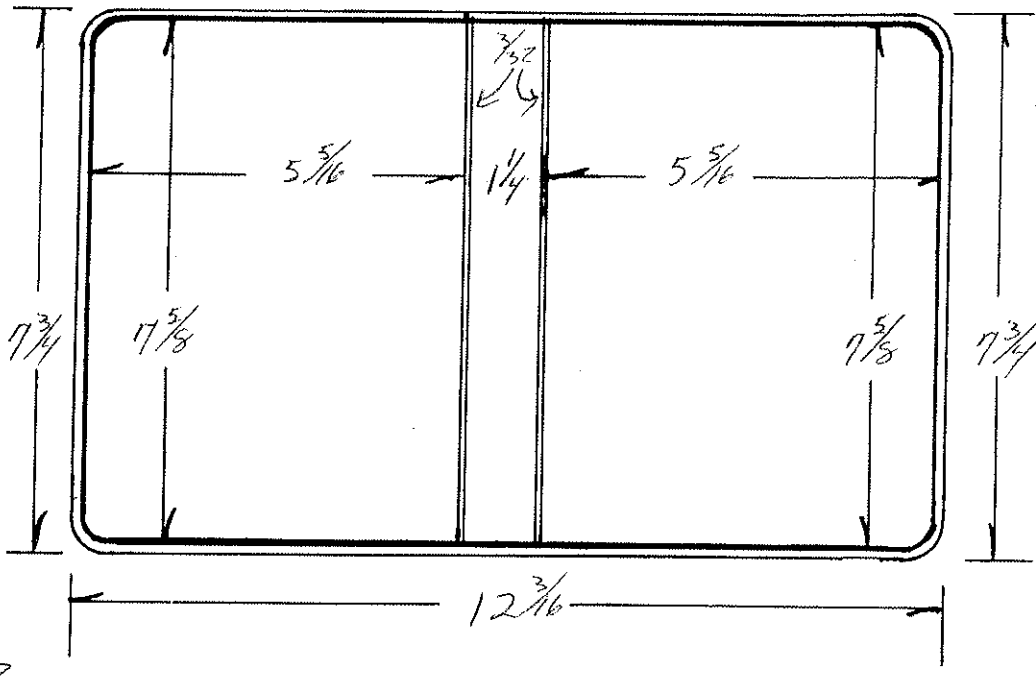
Customer

*Security Life Insurance Co of Ga*

Metal
Total Vinyl <i>.030</i>
Quantity <i>500</i>
Date <i>11/15/78</i>
Type Corners <i>Rd</i>
Radius <i>1/4</i>
Completed

	Gauge	Thick
Tear Seal	<i>.016</i>	<i>7/32</i>
Bar Seal	<i>102</i>	<i>7/32</i>
Bar Seal		

	No. of Feet
Tear Seal	<i>3 1/2</i>
Bar Seal	<i>1 1/2</i>
Bar Seal	



*Back bone bars milled down .006 Finished height .922*

Code		Cutting Specs				Code		Cutting Specs					
		Ga.	#	PCS	Size	Out			Ga.	#	PCS	Size	Out
Cover Mat.	<i>8 3/8 X 12 13/16</i>			<i>1</i>			Lining Mat.	<i>8 3/8 X 12 13/16</i>			<i>1</i>		
Cover Mat	X						Lining Mat.	X					
Vert. Pckt.	X						Horz. Pckt.	X					
Vert. Pckt.	X						Horz. Pckt.	X					
Pocket	X						Pocket	X					
Label Holder	X						Card Holder	X					
Material	X						Material	X					
Material	X						Material	X					
Material	X						Material	X					
F.C. Board	<i>7 1/32 X 5 7/32</i>			<i>1</i>			B.C. Board	<i>7 1/32 X 5 7/32</i>			<i>1</i>		
B.C. Board	X						B.B. Board	<i>7 1/32 X 1 5/32</i>					
Center Board	X						Board	X					
Board	X						Strip	<i>7 1/2 X 2 7/16</i>					
Cover Pad	X						Strip	X					
							B.B. Pad	X					

Product Code

Style Case Vinyl Binders

Sheet Size 7 1/4 X 4 1/2

Cap. 1

Die No. 2223

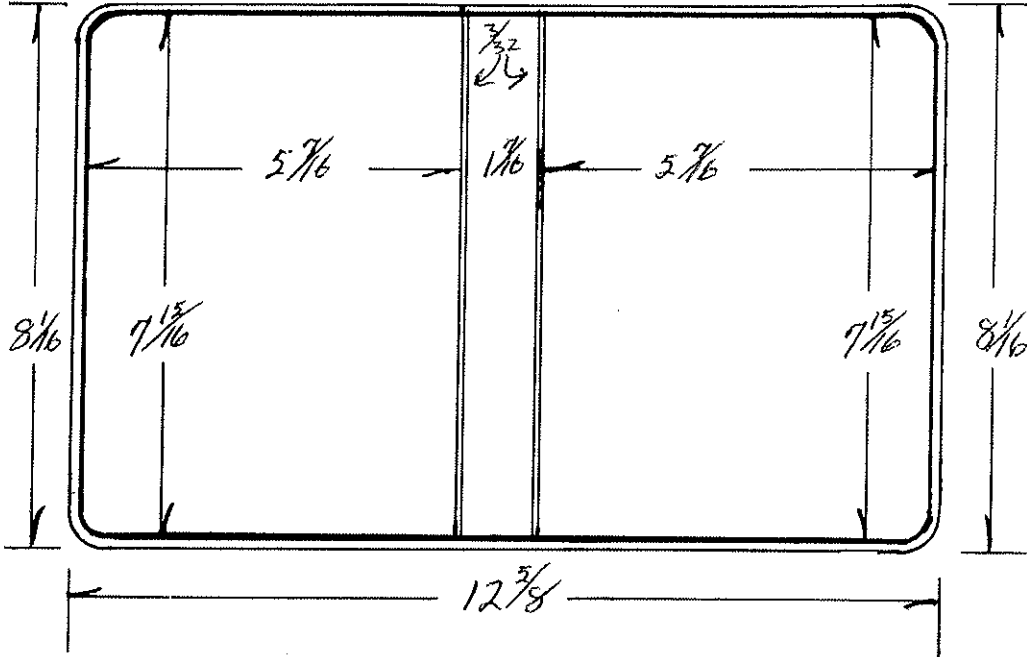
Order No. 36241-8

Plate

Customer

Founders Life

Metal
Total Vinyl .030
Quantity 500
Date 11-27-78
Type Corners Rd
Radius 1/4
Completed



	Gauge	Thick
Tear Seal	.016	7/32
Bar Seal	102	3/32
Bar Seal		

	No. of Feet
Tear Seal	3 1/2
Bar Seal	1 1/2
Bar Seal	

Code	Ga.	#	Cutting Specs		Code	Ga.	#	Cutting Specs	
			PCS	Size				Out	PCS
Cover Mat.			1	8 1/16 X 13 1/4	Lining Mat.		1	8 1/16 X 13 1/4	
Cover Mat.		X			Lining Mat.		X		
Vert. Pckt.		X			Horz. Pckt.		X		
Vert. Pckt.		X			Horz. Pckt.		X		
Pocket		X			Pocket		X		
Label Holder		X			Card Holder		X		
Material		X			Material		X		
Material		X			Material		X		
Material		X			Material		X		
F.C. Board			1	7 13/16 X 5 5/16	B.C. Board		1	7 13/16 X 5 5/16	
B.C. Board		X			B.B. Board		1	7 13/16 X 1 5/16	
Center Board		X			Board		X		
Board		X			Strip		X		
Cover Pad		X			Strip		X		
					B.B. Pad		X		



Product Code

Style Case *Ring binder*

Sheet Size *7 1/4 X 5 3/4* Cap. *3/4*

Die No. *2566*

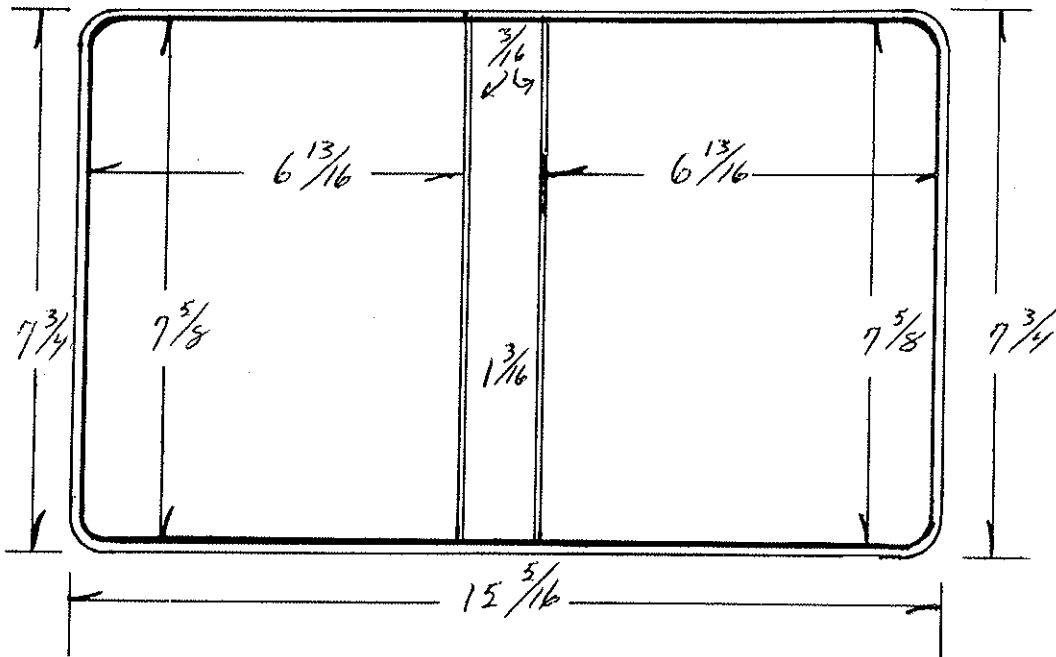
Order No. *13560-8*

Plate

Customer

*Jefferson County Commission*

Metal
Total Vinyl <i>1030</i>
Quantity <i>1500</i>
Date
Type Corners <i>RD</i>
Radius <i>1/4</i>
Completed



	Gauge	Thick
Tear Seal	<i>1016</i>	<i>3/32</i>
Bar Seal	<i>178</i>	<i>3/16</i>
Bar Seal		

	No. of Feet
Tear Seal	
Bar Seal	
Bar Seal	

Code	Ga.	PCS	Cutting Specs		Code	Ga.	Pcs.	Cutting Specs	
			Size	Out				Size	Out
Cover Mat.			<i>8 3/8 X 15 15/16</i>	<i>1</i>	Lining Mat.			<i>8 3/8 X 15 15/16</i>	<i>1</i>
Cover Mat			X		Lining Mat.			X	
Vert. Pckt.			X		Horz. Pckt.			X	
Vert. Pckt.			X		Horz. Pckt.			X	
Pocket			X		Pocket			X	
Label Holder			X		Card Holder			X	
Material			X		Material			X	
Material			X		Material			X	
Material			X		Material			X	
F.C. Board			<i>7 1/2 X 6 1/16</i>	<i>120 1</i>	B.C. Board			<i>7 1/2 X 6 1/16</i>	<i>120 1</i>
B.C. Board			<i>7 9/16 X 6 3/4</i>	<i>100 2</i>	B.B. Board			<i>7 1/2 X 1 1/16</i>	<i>120 1</i>
Center Board			<i>7 9/16 X 1 1/16</i>	<i>100 1</i>	Board			X	
Board			X		Strip			X	
Cover Pad			X		Strip			X	
					B.B. Pad			X	

Product Code Same as sample

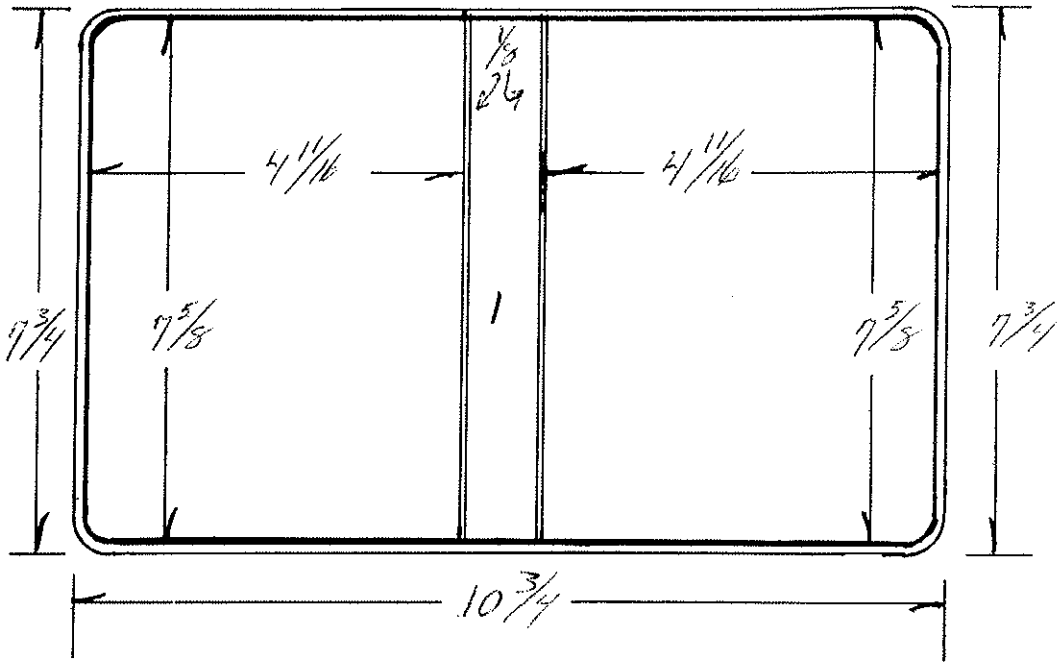
Style Case Ring Binder

Sheet Size 7 1/4 X 3 1/2 Cap. 1/2 Die No. 2709 Order No. 16232-1 Plate

Customer

Forward IN Faith

Metal
Total Vinyl <u>1030</u>
Quantity <u>3000</u>
Date <u>11-15-81</u>
Type Corners <u>Rd</u>
Radius <u>1/4</u>
Completed



	Gauge	Thick
Tear Seal	<u>.016</u>	<u>332</u>
Bar Seal	<u>103</u>	<u>1/8</u>
Bar Seal		

	No. of Feet
Tear Seal	
Bar Seal	
Bar Seal	

Code	Ga.	# PCS	Cutting Specs		Code	Ga.	# Pcs.	Cutting Specs	
			Size	Out				Size	Out
Cover Mat.					Lining Mat.				
		<u>1</u>	<u>8 3/8 X 11 3/8</u>				<u>1</u>	<u>8 3/8 X 11 3/8</u>	
Cover Mat.			X		Lining Mat.			X	
Vert. Pckt.			X		Horz. Pckt.			X	
Vert. Rckt.			X		Horz. Pckt.			X	
Pocket			X		Pocket			X	
Label Holder			X		Card Holder			X	
Material			X		Material			X	
Material			X		Material			X	
Material			X		Material			X	
F.C. Board					B.C. Board				
			<u>7 1/2 X 4 9/16</u>					<u>1</u>	<u>7 1/2 X 4 9/16</u>
B.C. Board			X		B.B. Board			X	
								<u>1</u>	<u>7 1/2 X 7/8</u>
Center Board			X		Board			X	
Board			X		Strip			X	
Cover Pad			X		Strip			X	
					B.B. Pad			X	

Product Code

Style Case 1 R B

Sheet Size 7 X 4 1/4 Cap. 1/2 Die No. 3843

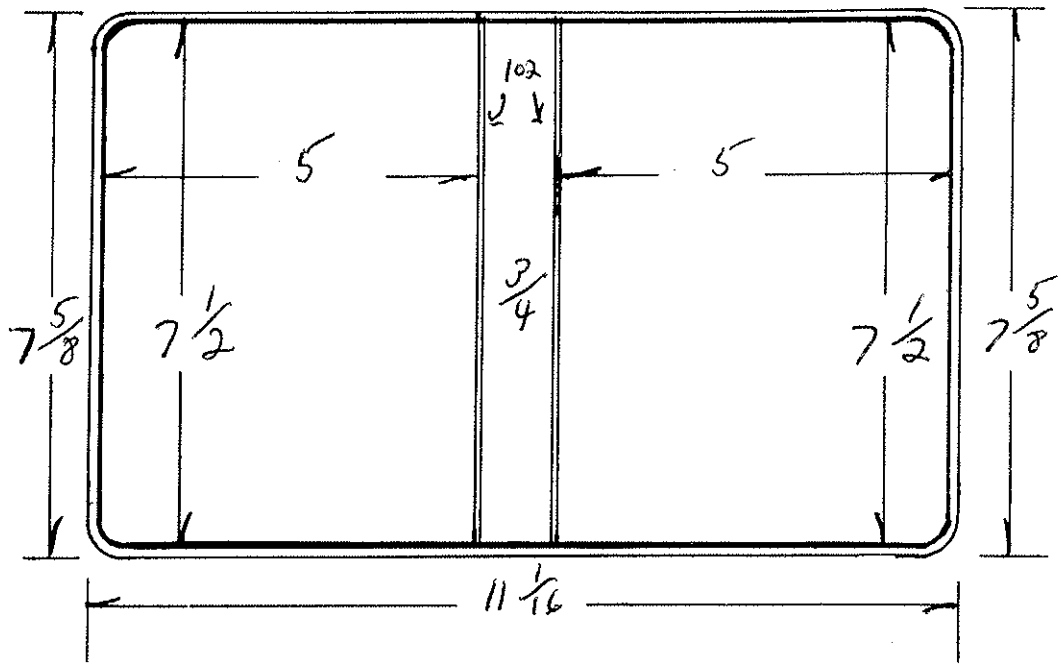
Order No. 955828 Plate

Customer Birmingham Kennel Club

Metal
Total Vinyl
Quantity
Date
Type Corners <u>Rd</u>
Radius <u>3/32</u>
Completed

	Gauge	Thick
Tear Seal	<u>16</u>	<u>3/32</u>
Bar Seal	<u>102</u>	<u>2/32</u>
Bar Seal		

	No. of Feet
Tear Seal	
Bar Seal	
Bar Seal	



Code	Cutting Specs				Code	Cutting Specs			
	Ga.	Pcs	Size	Out		Ga.	Pcs	Size	Out
Cover Mat.			<u>8 1/4 X 11 11/16</u>	<u>1</u>	Lining Mat.			<u>8 1/4 X 11 11/16</u>	<u>1</u>
Cover Mat			X		Lining Mat.			X	
Vert. Pckt.			X		Horz. Pckt.			X	
Vert. Pckt.			X		Horz. Pckt.			X	
Pocket			X		Pocket			X	
Label Holder			X		Card Holder			X	
Material			X		Material			X	
Material			X		Material			X	
Material			X		Material			X	
F.C. Board			<u>7 7/16 X 4 11/16</u>	<u>1</u>	B.C. Board			<u>7 7/16 X 4 11/16</u>	<u>1</u>
B.C. Board			X		B.B. Board			<u>7 7/16 X 11/16</u>	<u>1</u>
Center Board			X		Board			X	
Board			X		Strip			X	
Cover Pad			X		Strip			X	
					B.B. Pad			X	



Product Code

Style Case

1RB-6 Ring

Sheet Size

7 1/2 X 3 1/2 Cap. 3/4

Die No. 3997

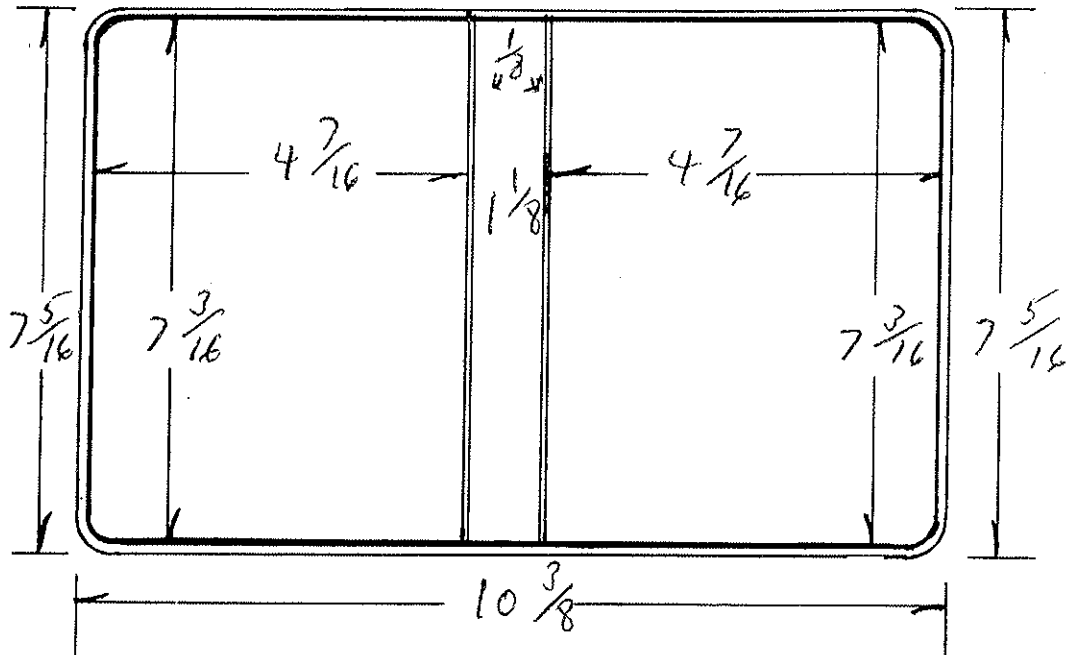
Order No.

958575

Plate

Customer Stowe Engineering

Metal
Total Vinyl
Quantity 75
Date
Type Corners Rd
Radius 3/32
Completed



	Gauge	Thick
Tear Seal	16	3/32
Bar Seal	18	252
Bar Seal		

	No. of Feet
Tear Seal	
Bar Seal	
Bar Seal	

Code	Cutting Specs				Code	Cutting Specs			
	Ga.	PCS	Size	Out		Ga.	PCS	Size	Out
Cover Mat.		7 1/2 X 11		1	Lining Mat.		7 1/2 X 11		1
Cover Mat.		X			Lining Mat.		X		
Vert. Pckt.		X			Horz. Pckt.		X		
Vert. Pckt.		X			Horz. Pckt.		X		
Pocket		X			Pocket		X		
Label Holder		X			Card Holder		X		
Material		X			Material		X		
Material		X			Material		X		
Material		X			Material		X		
F.C. Board		7 3/32 X 4 11/32		1	B.C. Board		7 3/32 X 4 11/32		1
B.C. Board		X			B.B. Board		7 3/32 X 1 1/32		1
Center Board		X			Board		X		
Board		X			Strip		X		
Cover Pad		X			Strip		X		
					B.B. Pad		X		





OLD # 3018

Product Code

Style Case

VRB-

Sheet Size

7 x 4<sup>3</sup>/<sub>4</sub>

Cap. 1/2

Die No. 4362

Order No. 964537

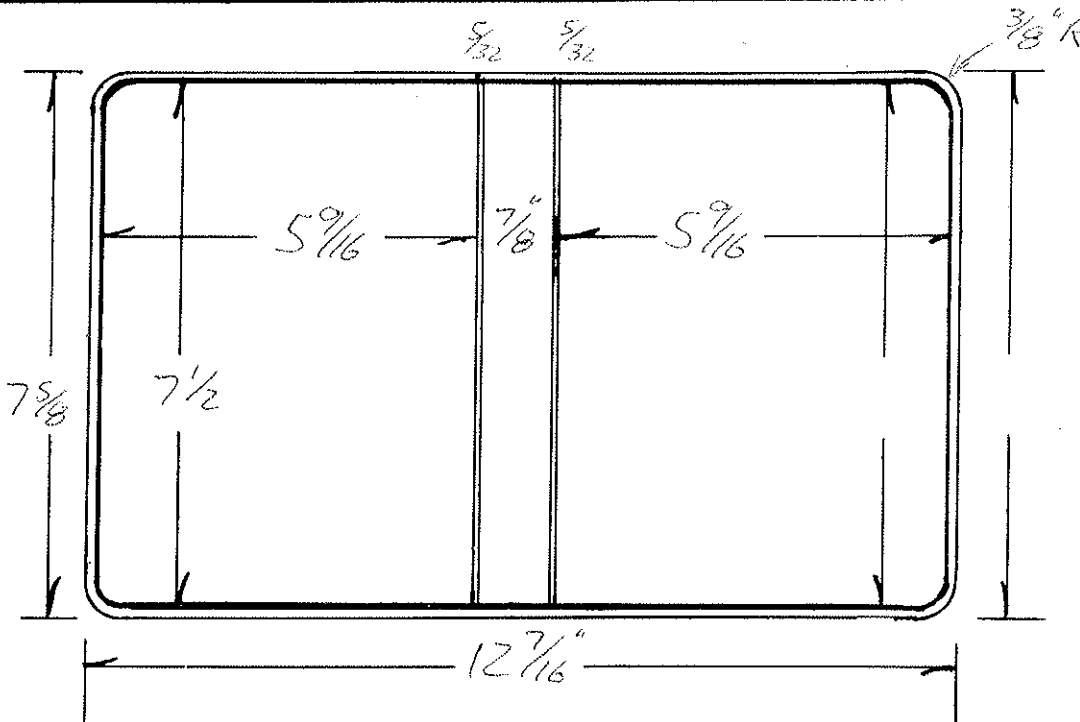
Plate

Customer

Metal
Total Vinyl
Quantity 200
Date 1-12-90
Type Corners
Radius 3/8
Completed

	Gauge	Thick
Tear Seal	.014	1/16
Bar Seal	#254	3/32
Bar Seal		

	No. of Feet
Tear Seal	
Bar Seal	
Bar Seal	



Size: B.P.  
 Check: 19P

# 3018 DESTROYED

Code	Ga.	Pcs.	Cutting Specs		Code	Ga.	Pcs.	Cutting Specs	
			Size	Out				Size	Out
Cover Mat.		8 <sup>5</sup> / <sub>16</sub> X 13 <sup>1</sup> / <sub>4</sub>	15	1	Lining Mat.		8 <sup>5</sup> / <sub>16</sub> X 13 <sup>1</sup> / <sub>4</sub>	15	1
Cover Mat.		X			Lining Mat.		X		
Vert. Pckt.		X			Horz. Pckt.		X		
Vert. Pckt.		X			Horz. Pckt.		X		
Pocket		X			Pocket		X		
Label Holder		X			Card Holder		X		
Material		X			Material		X		
Material		X			Material		X		
Material		X			Material		X		
F.C. Board		7 <sup>13</sup> / <sub>32</sub> X 5 <sup>19</sup> / <sub>32</sub>	35	1	B.C. Board		X		
B.G. Board		7 <sup>13</sup> / <sub>32</sub> X 5 <sup>19</sup> / <sub>32</sub>	35	1	B.B. Board		7 <sup>13</sup> / <sub>32</sub> X 29 <sup>25</sup> / <sub>32</sub>	85	1
Center Board		X			Board		X		
Board		X			Strip		X		
Cover Pad		X			Strip		X		
					B.B. Pad		X		

Product Code

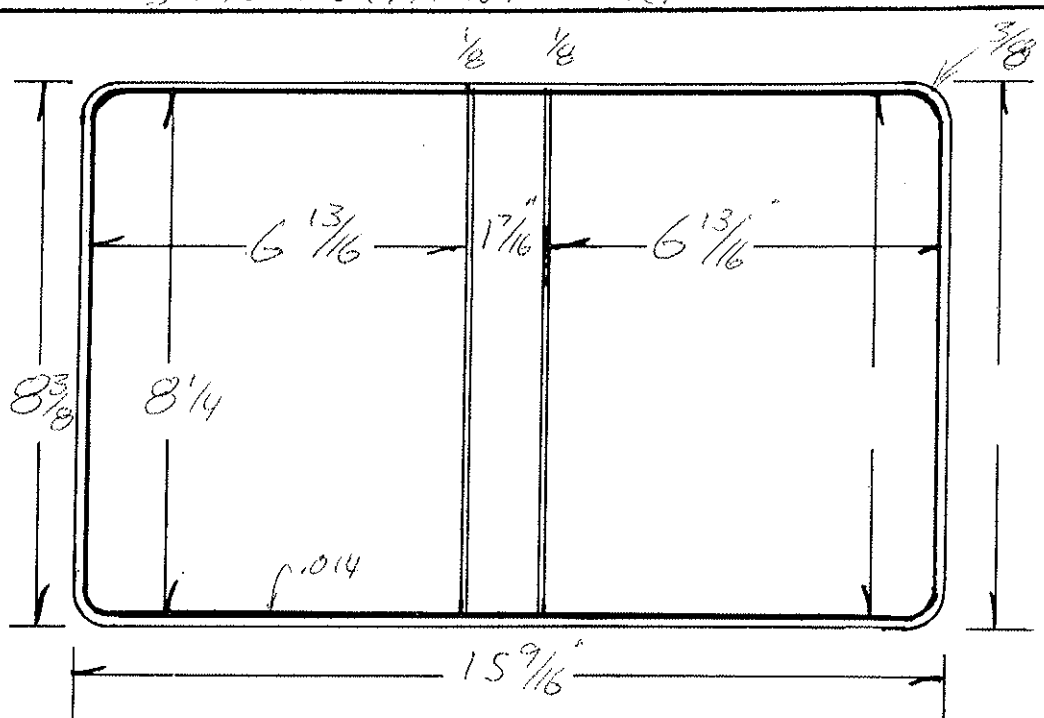
Style Case *VRB*

Sheet Size *7 1/2 x 5 1/2* Cap. *1* Die No. *4364* Order No. *964576* Plate

Customer

*DIGITAL EQUIPMENT CORP.*

Metal
Total Vinyl
Quantity <i>500</i>
Date <i>1-18-90</i>
Type Corners
Radius <i>3/8"</i>
Completed



	Gauge	Thick
Tear Seal	<i>.014</i>	<i>1/16</i>
Bar Seal	<i>4253</i>	<i>1/8</i>
Bar Seal		

	No. of Feet
Tear Seal	
Bar Seal	
Bar Seal	

*5122 B.P.*  
*CHECK -* *(14)*

Code	Ga.	# PCS	Cutting Specs		Code	Ga.	# Pcs.	Cutting Specs	
			Size	Out				Size	Out
Cover Mat.		<i>9 1/8 x 16 3/8</i>	<i>14</i>	<i>1</i>	Lining Mat.		<i>9 1/8 x 16 3/8</i>	<i>14</i>	<i>1</i>
Cover Mat.		X			Lining Mat.		X		
Vert. Pckt.		X			Horz. Pckt.		X		
Vert. Pckt.		X			Horz. Pckt.		X		
Pocket		X			Pocket		X		
Label Holder		X			Card Holder		X		
Material		X			Material		X		
Material		X			Material		X		
Material		X			Material		X		
F.C. Board		<i>8 5/32 x 6 23/32</i>	<i>100</i>	<i>1</i>	B.C. Board		X		
B.C. Board		<i>8 5/32 x 6 23/32</i>	<i>100</i>	<i>1</i>	B.B. Board		<i>8 5/32 x 1 1/32</i>	<i>100</i>	<i>1</i>
Center Board		X			Board		X		
Board		X			Strip		X		
Cover Pad		X			Strip		X		
					B.B. Pad		X		

Product Code

Style Case *VRB GRING U.S.*

Sheet Size *7 1/4 X 4 3/4* Cap. *1*

Die No. *4416*

Order No. *965280*

Plate

Customer

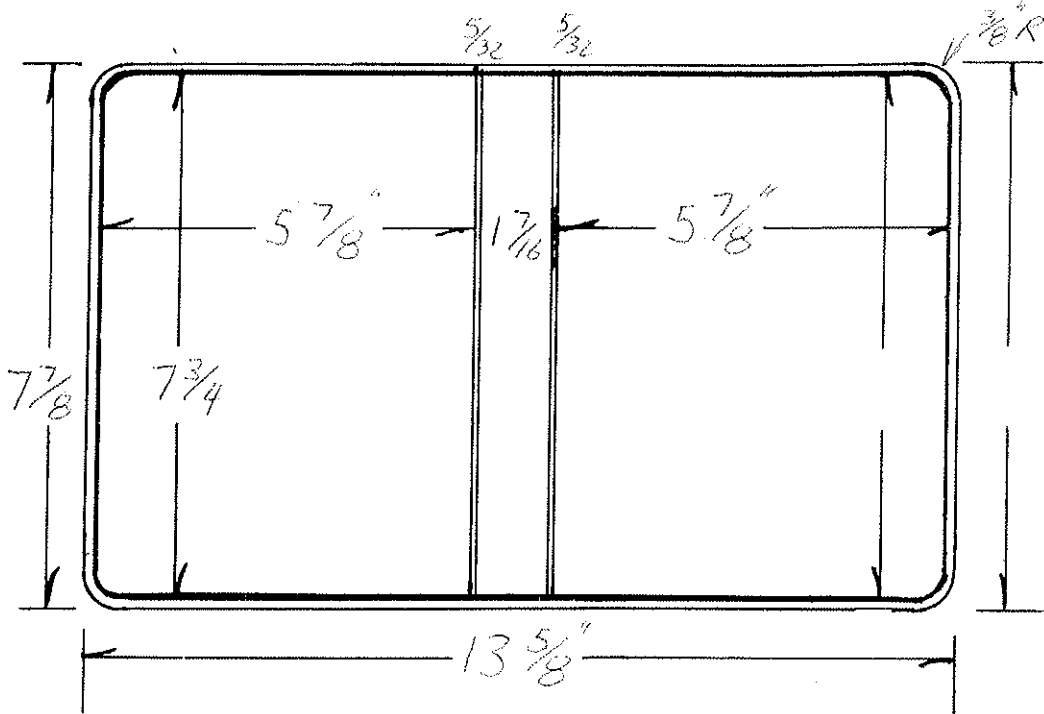
*PERFORMANCE MEDIA INC.*

Metal
Total Vinyl
Quantity <i>50</i>
Date <i>5-3-90</i>
Type Corners
Radius <i>3/8"</i>
Completed

	Gauge	Thick
Tear Seal	<i>.014</i>	<i>1/16</i>
Bar Seal	<i>#254</i>	<i>1/32</i>
Bar Seal		

	No. of Feet
Tear Seal	
Bar Seal	
Bar Seal	

*Size - B.P.P.*  
*Check KPI*



*C-2-9*

Code		Ga.	#	PCS	Size	Out	Cutting Specs	Code		Ga.	#	PCS	Size	Out	Cutting Specs
Cover Mat.					<i>8 3/4 X 14 3/8</i>			Lining Mat.					<i>8 3/4 X 14 3/8</i>		
Cover Mat.					X			Lining Mat.					X		
Vert. Pckt.					X			Horz. Pckt.					X		
Vert. Pckt.					X			Horz. Pckt.					X		
Pocket					X			Pocket					X		
Label Holder					X			Card Hlder					X		
Material					X			Material					X		
Material					X			Material					X		
Material					X			Material					X		
F.C. Board					<i>7 21/32 X 5 25/32</i>	<i>100</i>	<i>1</i>	B.C. Board					X		
B.C. Board					<i>7 21/32 X 5 25/32</i>	<i>100</i>	<i>1</i>	B.B. Board					<i>7 21/32 X 1 1/32</i>	<i>100</i>	<i>(</i>
Center Board					X			Board					X		
Board					X			Strip					X		
Cover Pad					X			Strip					X		
								B.B. Pad					X		

Product Code

Style Case *FLEX VRB*

Sheet Size *7* x *4 1/4* Cap. *1/2* Die No. *4424* Order No. *965476* Plate

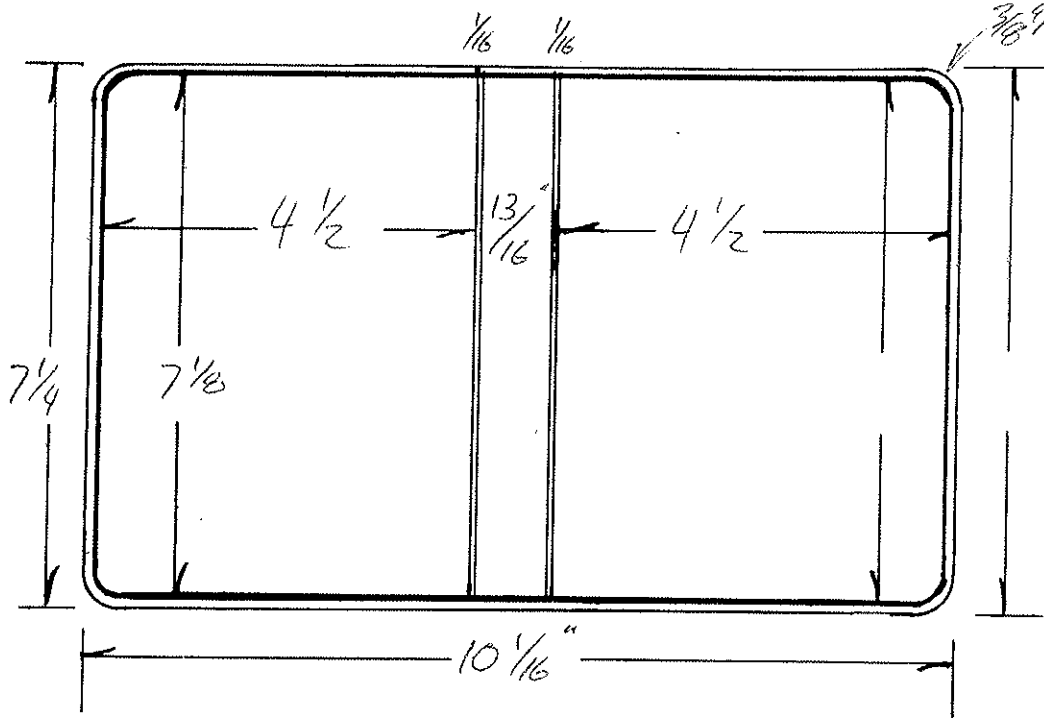
Customer

*UNIVERSAL LIFE INSURANCE*

Metal
Total Vinyl
Quantity <i>750</i>
Date <i>5-10-90</i>
Type Corners
Radius <i>3/8</i>
Completed

	Gauge	Thick
Tear Seal	<i>.014</i>	<i>1/16"</i>
Bar Seal	<i>#102</i>	<i>1/16"</i>
Bar Seal		

	No. of Feet
Tear Seal	
Bar Seal	
Bar Seal	



*Size - B.P. case*  
*Check - KPV*

Code	Ga.	PCS	Cutting Specs		Code	Ga.	Pcs.	Cutting Specs	
			Size	Out				Size	Out
Cover Mat.		<i>8</i>	<i>X</i>	<i>10 7/8</i>		<i>15</i>	<i>1</i>		
Cover Mat.			<i>X</i>		Lining Mat.			<i>8</i>	<i>X</i>
Vert. Pckt.			<i>X</i>		Lining Mat.			<i>X</i>	
Vert. Pckt.			<i>X</i>		Horz. Pckt.			<i>X</i>	
Pocket			<i>X</i>		Horz. Pckt.			<i>X</i>	
Label Holder			<i>X</i>		Pocket			<i>X</i>	
Material			<i>X</i>		Card Holder			<i>X</i>	
Material			<i>X</i>		Material			<i>X</i>	
Material			<i>X</i>		Material			<i>X</i>	
F.C. Board			<i>X</i>	<i>-</i>	Material			<i>X</i>	
B.C. Board			<i>X</i>	<i>-</i>	B.C. Board			<i>X</i>	
Center Board			<i>X</i>		B.B. Board		<i>7" X 1 1/16"</i>	<i>50</i>	<i>1</i>
Board			<i>X</i>		Board		<i>RED X FLEX.</i>		
Cover Pad			<i>X</i>		Strip			<i>X</i>	
					Strip			<i>X</i>	
					B.B. Pad			<i>X</i>	

Same as Fiab # 4954  
 Product Code

Style Case VRB

Sheet Size  $7\frac{3}{4} \times 6$

Cap.  $\frac{3}{16}$  mm Die No. 5015

Order No. 971006.2

Plate D-5-6

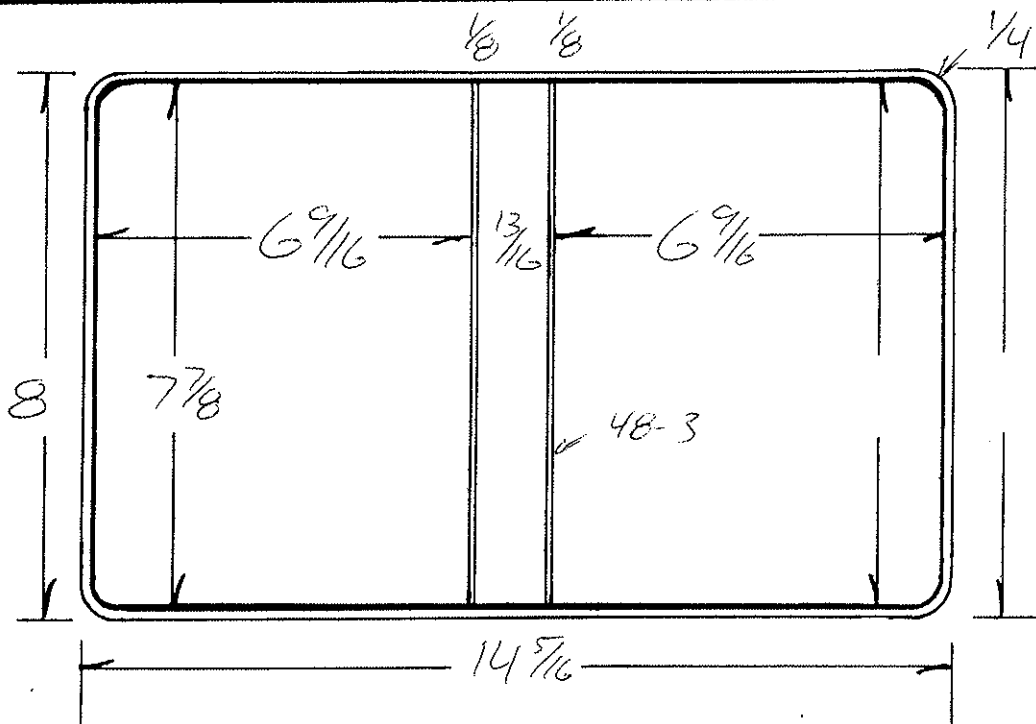
Customer

ANCO COLLECTOR SUPPLIES

Metal
Total Vinyl
Quantity
Date 3-12-92
Type Corners
Radius
Completed

	Gauge	Thick
Tear Seal	.014	$\frac{1}{16}$
Bar Seal	4A-3	$\frac{1}{8}$
Bar Seal		

	No. of Feet
Tear Seal	
Bar Seal	
Bar Seal	



Dwy - B Pace

Check.

1-UP-SAME AS FIAB # 4954

Code	Ga.	# PCS	Cutting Specs		Code	Ga.	# Pcs.	Cutting Specs			
			Size	Out				Size	Out		
Cover Mat.			$8\frac{3}{4} \times 15\frac{1}{8}$	14	1	Lining Mat.			$8\frac{3}{4} \times 15\frac{1}{8}$	14	1
Cover Mat.			X			Lining Mat.			X		
Vert. Pckt.			X			Horz. Pckt.			X		
Vert. Pckt.			X			Horz. Pckt.			X		
Pocket			X			Pocket			X		
Label Holder			X			Card Hlder			X		
Material			X			Material			X		
Material			X			Material			X		
Material			3-PANEL UNITIZED BO			Material			X		
F.C. Board			$7\frac{3}{16} \times 6\frac{1}{2}$	80	1	B.C. Board			X		
B.C. Board			$7\frac{3}{16} \times 6\frac{1}{2}$	80	1	B.B. Board			$7\frac{3}{16} \times 2\frac{3}{32}$	80	1
Center Board			X			Board			X		
Board			X			Strip			X		
Cover Pad			X			Strip			X		
						B.B. Pad			X		

Product Code

Style Case VRB 6-RING

Sheet Size

7 1/4 x 4 3/4 Cap. 1"

Die No. 5060

Order No. 972320

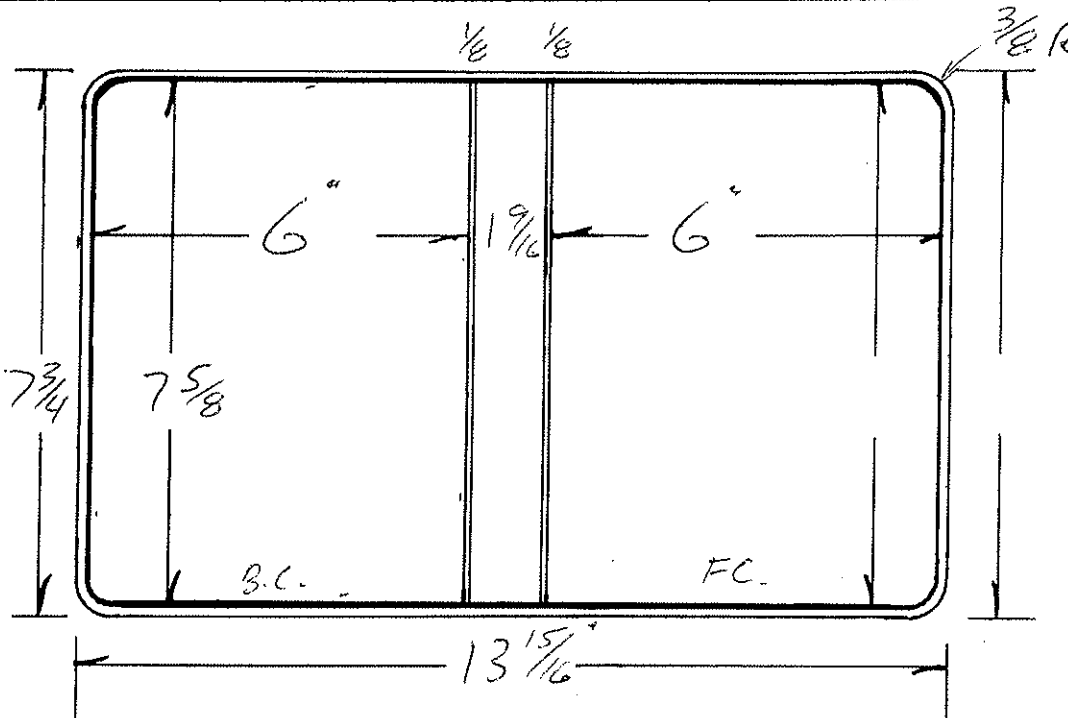
Plate D-7-S

Customer

LIBERTY LIFE INSURANCE

5-22

Metal
Total Vinyl
Quantity 450
Date 5-13-97
Type Corners
Radius 3/8"
Completed



	Gauge	Thick
Tear Seal	.012	1/16
Bar Seal	253	1/8
Bar Seal		

	No. of Feet
Tear Seal	
Bar Seal	
Bar Seal	

Dwg. - B Page

CHECK *[Signature]*

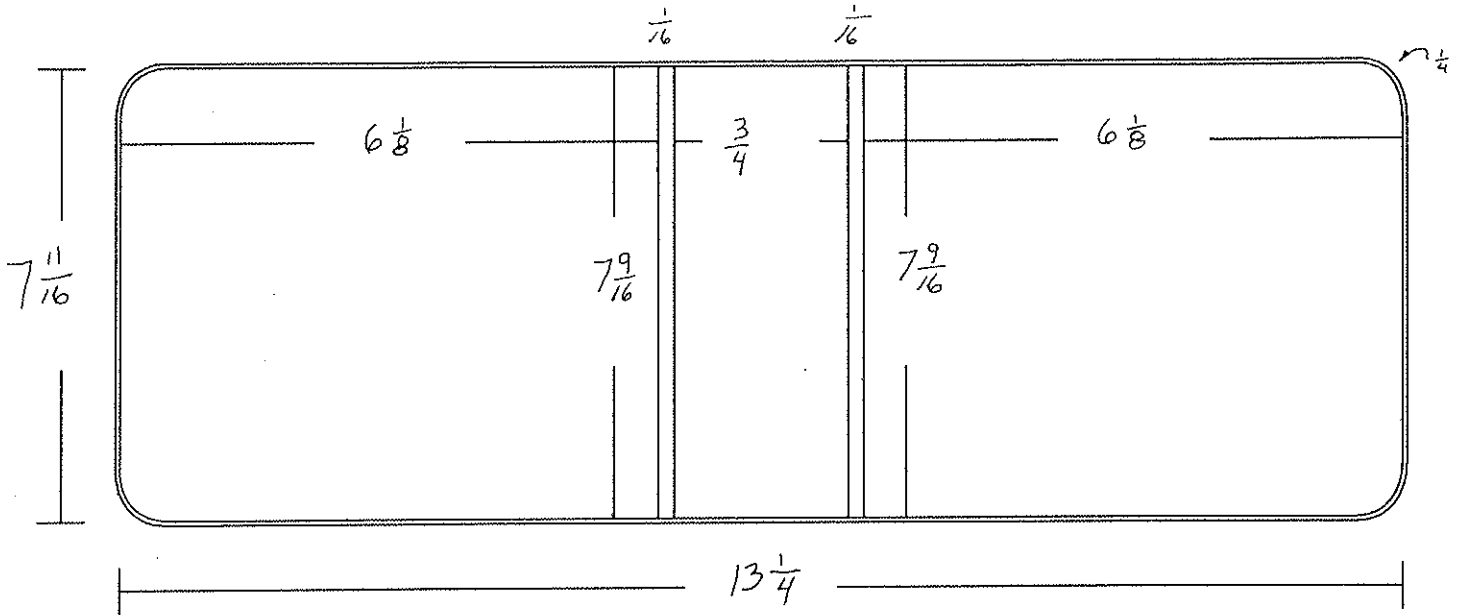
Code	Ga.	Pcs	Cutting Specs		Code	Ga.	Pcs	Cutting Specs	
			Size	Out				Size	Out
Cover Mat.			8 1/2 x 14 3/4	12	Lining Mat.			8 1/2 x 14 3/4	12
Cover Mat			X		Lining Mat.			X	
Vert. Pckt.			X		Horz. Pckt.			X	
Vert. Pckt.			X		Horz. Pckt.			X	
Pocket			X		Pocket			X	
Label Holder			X		Card Holder	IFC		2 7/8 x 4 1/4	8
Material			X		Material			X	
Material			X		Material			X	
Material			X		Material			X	
F.C. Board			7 9/16 x 5 15/16	100	B.C. Board			X	
B.G. Board			7 9/16 x 5 15/16	100	B.B. Board			7 9/16 x 1 15/32	100
Center Board			X		Board			X	
Board			X		Strip			X	
Cover Pad			X		Strip			X	
					B.B. Pad			X	

DIE #	5338	STYLE CASE	VRB	LOCATION	E-6
SHEET SIZE	7 X 5 + 1/2	CAP.	1/2	ORDER NO.	975241
CUSTOMER	Vaughan Printing Company			DUE DATE	

QUANTITY	350
DATE	6-1-93

RADIUS	1/4
COMPLETED	

TEAR SEAL	.014
BAR SEAL	102



### MATERIAL

	CODE			GA	PCS		CODE			GA	PCS
COVER MATL		8 7/16	X	14	1	LINING		8 7/16	X	14	1
COVER MATL			X			LINING			X		
VERT PKT			X			HORZ PKT			X		
VERT PKT			X			HORZ PKT			X		
CARD HOLDER			X			DIAGONAL PKT			X		
COL			X			LABEL HOLDER			X		
EX. COL			X			GUSSET			X		
			X			REINF.			X		
			X						X		

### PRINTS

FRONT COVER	X	BACK BONE	X	BACK COVER	X
-------------	---	-----------	---	------------	---

### BOARDS

	CODE			PT	PCS		CODE			PT	PCS		
F.C. BOARD		7 1/2	X	6 7/16	100	1	F.C. BOARD		7 15/32	X	6 1/32	120	1
B.B. BOARD		7 1/2	X	2 1/32	100	1	B.B. BOARD		7 15/32	X	2 1/32	120	1
B.C. BOARD		7 1/2	X	6 7/16	100	1	B.C. BOARD		7 15/32	X	6 1/32	120	1
B. UP STRIP			X						X				
			X						X				



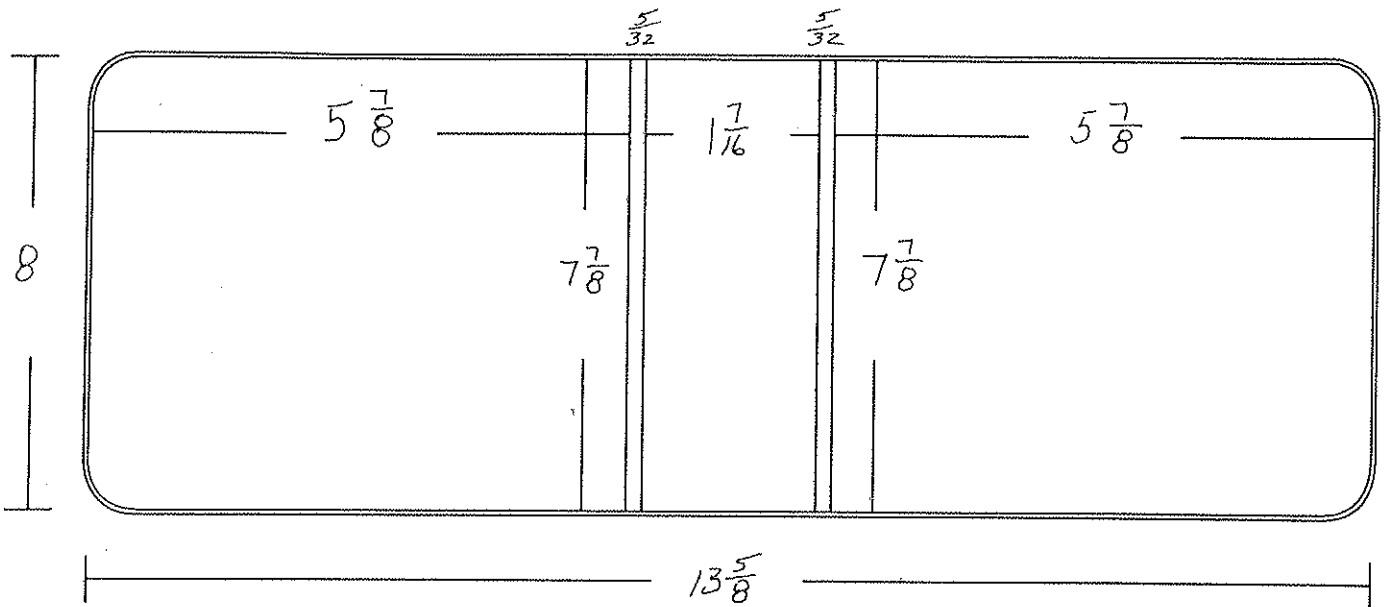
USE Cardholder from Die 5353-B

DIE #	5354	STYLE CASE		LOCATION	E-2-2
SHEET SIZE	7 $\frac{1}{4}$ X 4 $\frac{3}{4}$ +	CAP.	1"	ORDER NO.	975322
CUSTOMER	Janus Marketing			DUE DATE	

QUANTITY	500
DATE	6-10-93

RADIUS	$\frac{3}{8}$
COMPLETED	

TEAR SEAL	.016
BAR SEAL	484



**MATERIAL**

	CODE		GA	PCS		CODE		GA	PCS
COVER MATL		8 $\frac{3}{4}$ X 14 $\frac{5}{8}$		1	LINING		8 $\frac{3}{4}$ X 14 $\frac{3}{8}$		1
COVER MATL		X			LINING		X		
VERT PKT		X			HORZ PKT		X		
VERT PKT		X			HORZ PKT		X		
CARD HOLDER		X			DIAGONAL PKT		X		
COL		X			LABEL HOLDER		X		
EX. COL		X			GUSSETT		X		
		X			REINF.		X		
		X					X		

**PRINTS**

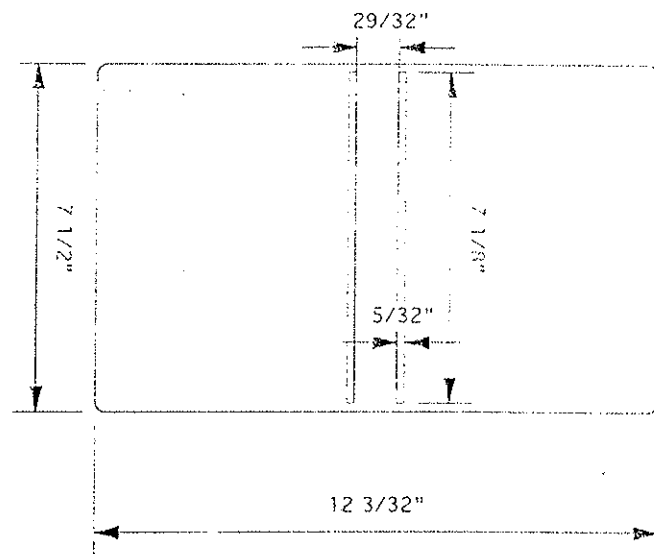
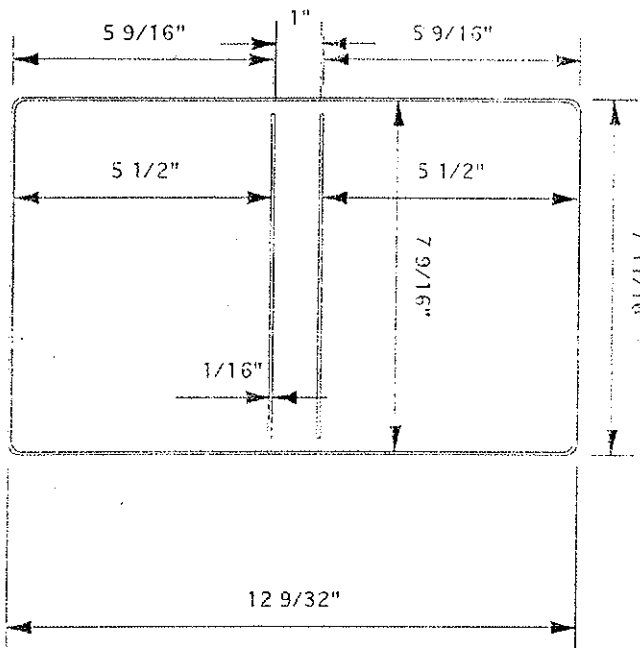
FRONT COVER	X	BACK BONE	X	BACK COVER	X
-------------	---	-----------	---	------------	---

**BOARDS**

	CODE		PT	PCS		CODE		PT	PCS
F.C. BOARD		7 $\frac{13}{16}$ X 5 $\frac{13}{16}$	100	1	F.C. BOARD		7 $\frac{25}{32}$ X 5 $\frac{25}{32}$	120	1
B.B. BOARD		7 $\frac{13}{16}$ X 1 $\frac{11}{32}$	100	1	B.B. BOARD		7 $\frac{25}{32}$ X 1 $\frac{11}{32}$	120	1
B.C. BOARD		7 $\frac{13}{16}$ X 5 $\frac{13}{16}$	100	1	B.C. BOARD		7 $\frac{25}{32}$ X 5 $\frac{25}{32}$	120	1
B. UP STRIP		X					X		
		X					X		



DIE #	5594	STYLE CASE	VINYL RING BINDER	LOCATION	E-10-7
SHEET SIZE	7 3/4 X 12 3/16	CAP.	3/4	ORDER #	978459
CUSTOMER	DICKARD WIDDER INDUSTRIES			DUE DATE	
QUANTITY		RADIUS	.23	TEAR SEAL	.012
DATE		COMPLETED		BAR SEAL	1.52



MATERIAL SPECS

GA PCS

GA PCS

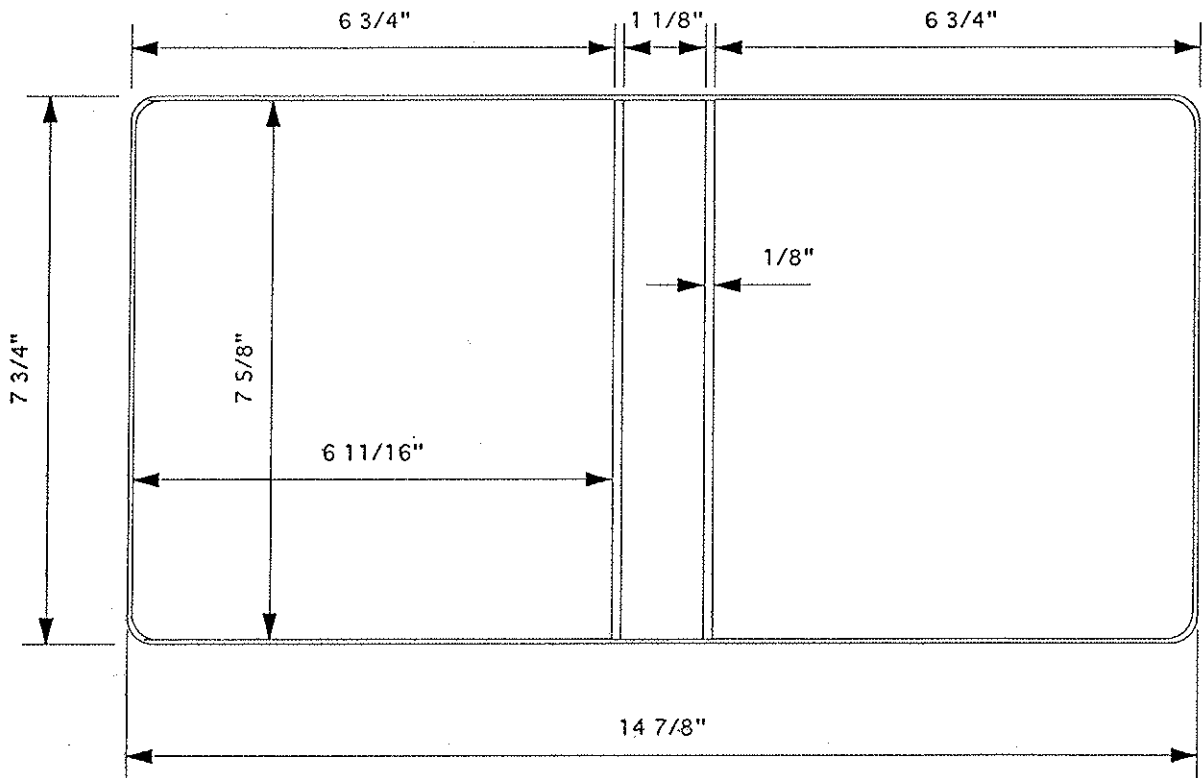
COVER MATL	8 7/16 X 13	1	LINING	8 7/16 X 13	1
COVER MATL			LINING		
VERT PKT	8 7/16 X 3 3/8	1	HORZ PKT		
VERT PKT			HORZPKT		
CARD HOLDER			DIAGONAL PKT		
COL			LABEL HOLDER		
EX COL			GUSSET		
			REINF		

BOARD SPECS

F.C. BOARD	8 1/2 X 13	50	1	F.C. BOARD	
B.B. BOARD				B.B. BOARD	
B.C. BOARD				B.C. BOARD	
BU STRIP					

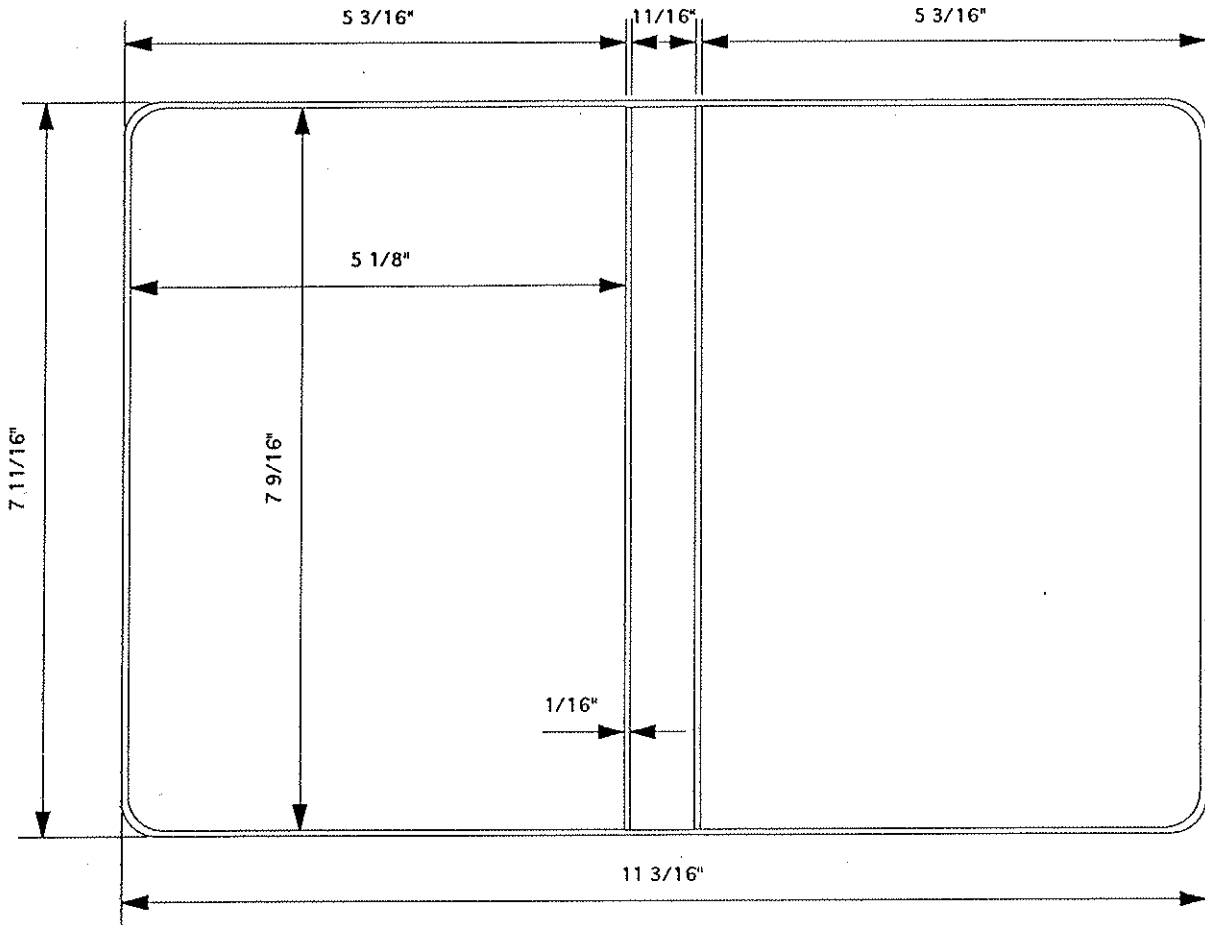
*Matched sample*

DIE #	5705	CAP.	3/4	METAL	7 1/4	MEMO O&C BOOSTER
STYLE CASE	VINYL RING BINDER				LOCATION	E-16-7
SHEET SIZE	OA SIZE 7 3/4 X 6 3/4			ORDER #	69409	
CUSTOMER	EBSCO MEDIA ADVERTISING SP				DUE DATE	
QUANTITY	600	RADIUS	3/8		TEAR SEAL	.014
DATE	11-03-94	COMPLETED			BAR SEAL	48-3



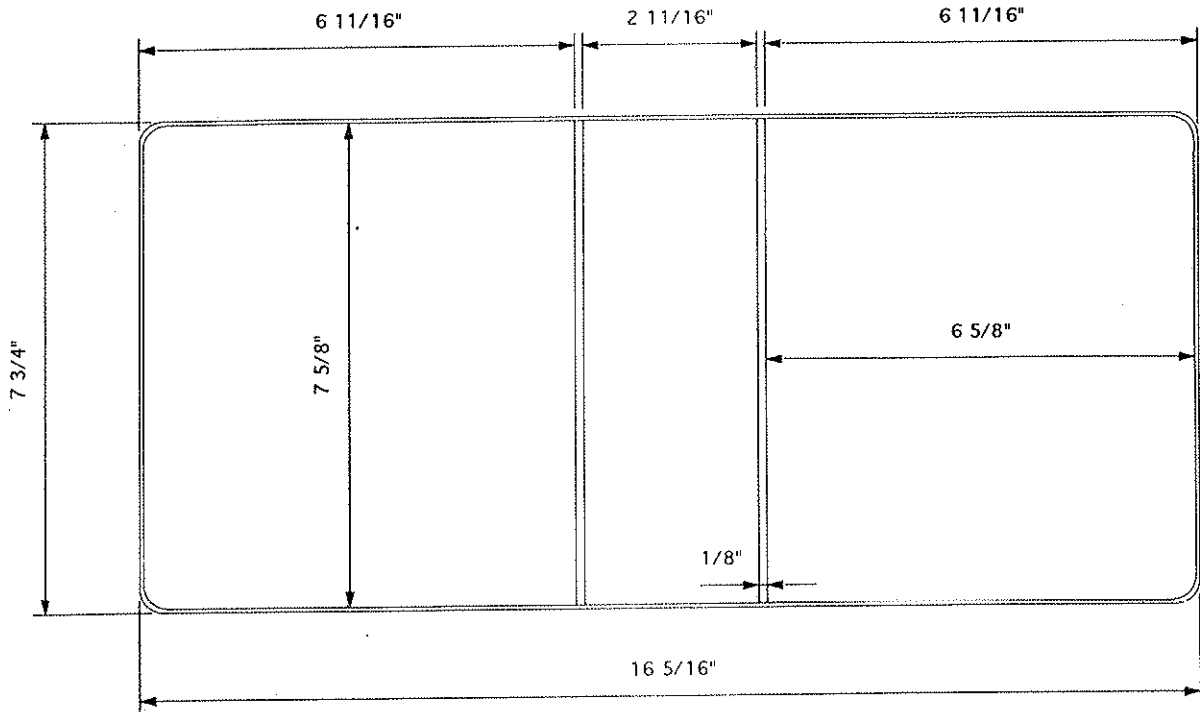
MATERIAL SPECS		GA	PCS	GA		PCS
COVER MAT.	8 1/2 X 15 5/8		1	LINING MAT	8 1/2 X 15 5/8	1
COVER MAT.				LINING MAT		
VERT PKT				HORZ PKT		
CARD HOLDER				GUSSET		
COL				DIAGONAL PKT		
LABEL HOLDER				REINF		
BOARD SPECS		GA	PCS	GA		PCS
F.C. BOARD	7 9/16 X 6 5/8		1	F.C. BOARD		
B.B. BOARD	7 9/16 X 1 1/16		1	B.B. BOARD		
B.C. BOARD	7 9/16 X 6 5/8		1	B.C. BOARD		
B.U. STRIP						

DIE #	5808	METAL	OB MEMO	RADIUS	3/8
ORDER #	980990	CUSTOMER	DICKARD WIDDER	TEAR SEAL	.010
SHEET SIZE		STYLE CASE	VRB	BAR SEAL	102
CAP.	1/2	DUE DATE	4-28-95	COMPLETED	
LOCATION		QUANTITY	400	DATE	3-21-95



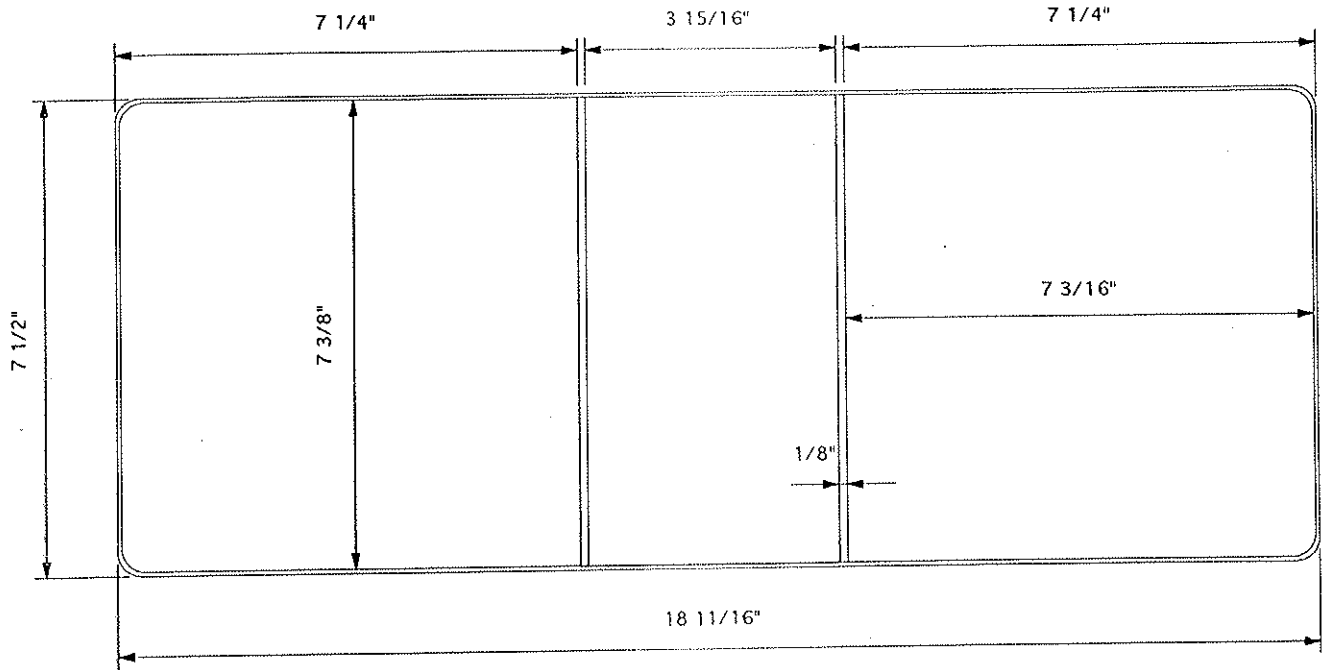
MATERIAL SPECS		GAUGE PCS.		MATERIAL SPECS		GAUGE P	
COVER MAT.	8 1/2 X 12		1	LINING MAT.	8 1/2 X 12		
COVER MAT.				LINING MAT.			
CARD HOLDER				HORZ. PKT.			
COL				VERT. PKT.	8 1/2 X 3		
LABEL HOLDER				DIAG. PKT			
GUSSET				REINF.			
BOARD SPECS		GAUGE PCS.		BOARD SPECS		GAUGE P	
F.C. BOARD	7 1/2 X 5 1/16	48	1	F.C. BOARD			
B.B. BOARD	7 1/2 X 5/8	48	1	B.B. BOARD			
B.C. BOARD	7 1/2 X 5 1/16	48	1	B.C. BOARD			
B.U. STRIP				DIE CUT			
DIE CUT				DIE CUT			

DIE #	6020	METAL	7 RING (ROUND) 2"	RADIUS	3/8"
ORDER #	983909	CUSTOMER	LIBERTY LIFE INSURANCE	TEAR SEAL	.014
SHEET SIZE	7 1/4 X 4 1/4	STYLE CASE	VINYL RING BINDER	BAR SEAL	253
CAP.	2"	DUE DATE	3-29-96	COMPLETED	
LOCATION	G-9-3	QUANTITY	2000	DATE	3-14-96



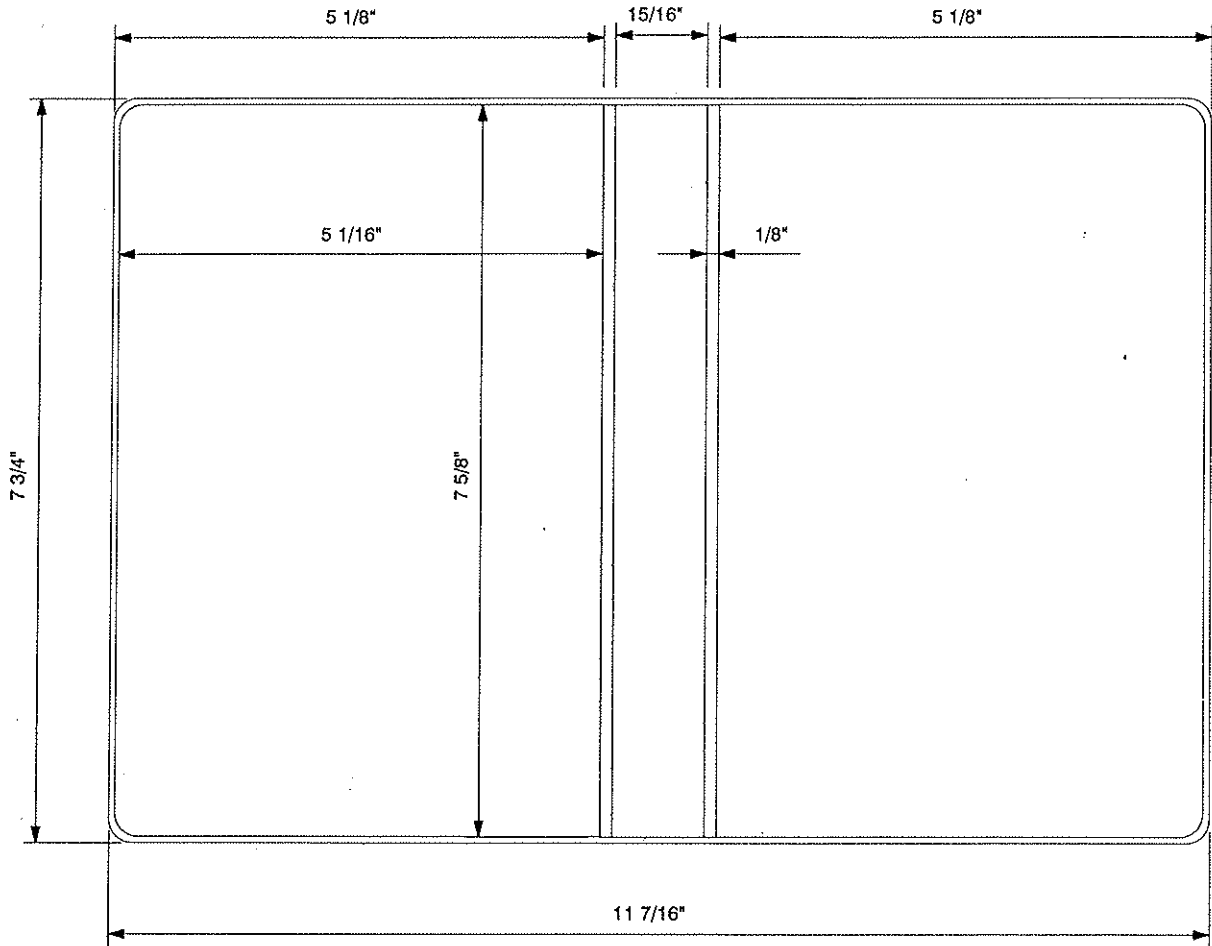
MATERIAL SPECS		GAUGE		PCS.		MATERIAL SPECS		GAUGE		PCS.	
COVER MAT.	8 1/2 X 17 1/8			1		LINING MAT.	8 1/2 X 17 1/8			1	
COVER MAT.						LINING MAT.					
DIE CUT						HORZ. PKT.					
COL						VERT. PKT.					
LABEL HOLDER						DIE CUT					
GUSSET						REINF.					
BOARD SPECS		GAUGE		PCS.		BOARD SPECS		GAUGE		PCS.	
F.C. BOARD	7 17/32 X 6 17/32	120		1		F.C. BOARD					
B.B. BOARD	7 17/32 X 2 19/32	120		1		B.B. BOARD					
B.C. BOARD	7 17/32 X 6 17/32	120		1		B.C. BOARD					
B.U. STRIP						DIE CUT					
DIE CUT						DIE CUT					

DIE #	6165	METAL	SPECIAL OVERSIZED OVAL	RADIUS	3/8"
ORDER #	986028	CUSTOMER	TWEDDLE LITHO	TEAR SEAL	.014
SHEET SIZE	7 X 4 7/8	STYLE CASE	VRB	BAR SEAL	253
CAP.	2 1/2"	DUE DATE	12-12-96	COMPLETED	
LOCATION	G-1-9	QUANTITY	200	DATE	12-2-96



MATERIAL SPECS		GAUGE PCS.		MATERIAL SPECS		GAUGE	
COVER MAT.	8 1/4 X 19 1/2		1	LINING MAT.	8 1/4 X 19 1/2		
COVER MAT.	8 1/4 X 12 1/4		1	LINING MAT.			
DIE CUT				HORZ. PKT.			
COL				VERT. PKT.			
LABEL HOLDER				DIE CUT			
GUSSET				REINF.			
BOARD SPECS		GAUGE PCS.		BOARD SPECS		GAUGE	
F.C. BOARD	7 9/32 X 7 3/32	120	1	F.C. BOARD			
B.B. BOARD	7 9/32 X 3 27/32	120	1	B.B. BOARD			
B.C. BOARD	7 9/32 X 7 3/32	120	1	B.C. BOARD			
FLAP BD.				DIE CUT			
BOARD				DIE CUT			

DIE #	6337	METAL	5/8" 6-RING MEMO	RADIUS	1/4"
ORDER #	988236	CUSTOMER	LIBERTY LIFE INS.	TEAR SEAL	.012
SHEET SIZE	7 1/2 X 4 1/2	STYLE CASE	VINYL RING BINDER	BAR SEAL	253
CAP.	5/8"	DUE DATE	10-8-97	COMPLETED	
LOCATION	I-3-7	QUANTITY	1300	DATE	9-29-97

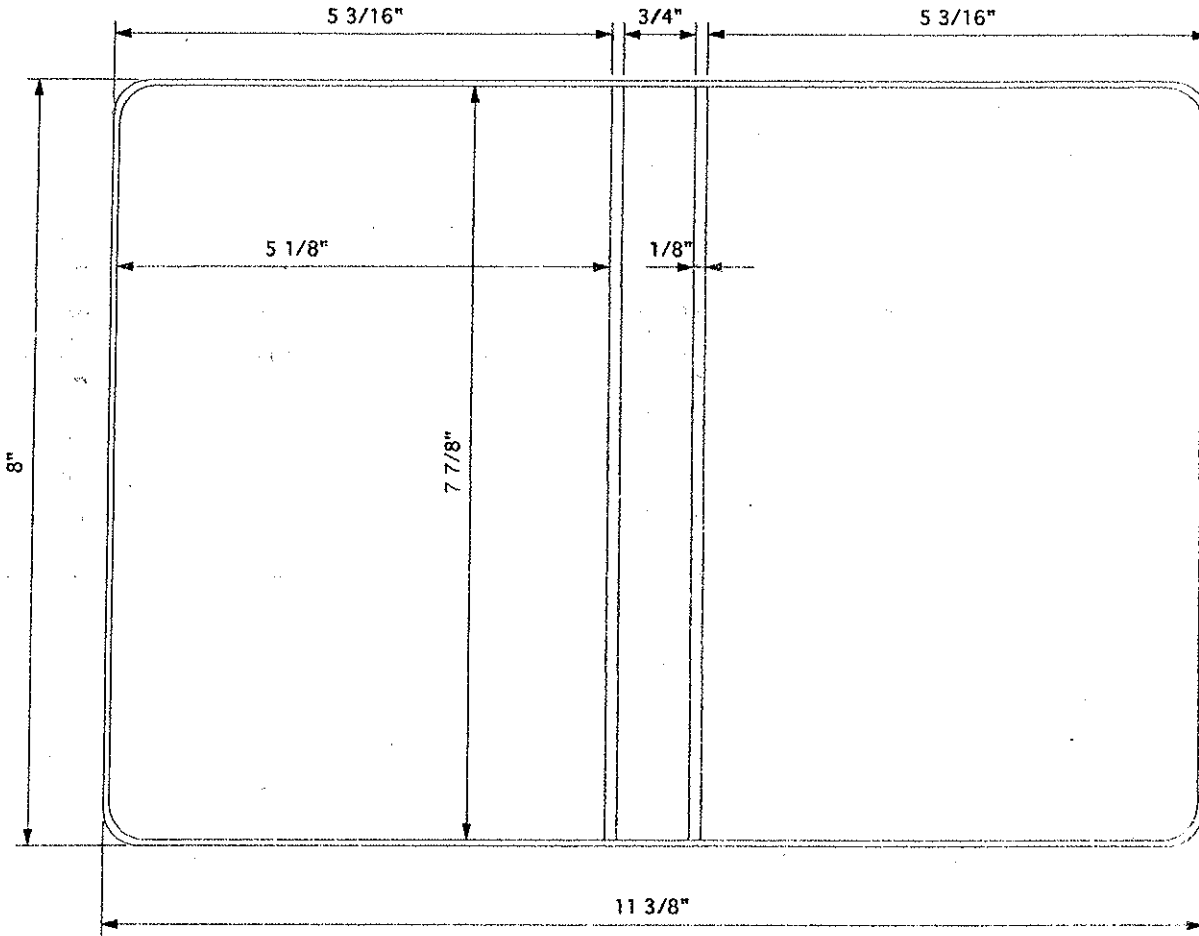


MATERIAL SPECS		GAUGE		MATERIAL SPECS		GAUGE	
COVER MAT.	8 1/2 X 12 1/4		1	LINING MAT.	8 1/2 X 12 1/4		1
COVER MAT.				LINING MAT.			
DIE CUT				HORZ. PKT.			
COL	7 7/8 X 5 5/8		1	VERT. PKT.			
LABEL HOLDER				DIE CUT			
GUSSET				REINF.			

BOARD SPECS		GAUGE		BOARD SPECS		GAUGE	
F.C. BOARD	7 9/16 X 5	100	1	F.C. BOARD			
B.B. BOARD	7 9/16 X 27/32	100	1	B.B. BOARD			
B.C. BOARD	7 9/16 X 5	100	1	B.C. BOARD			
FLAP BD.				DIE CUT			
BOARD				DIE CUT			

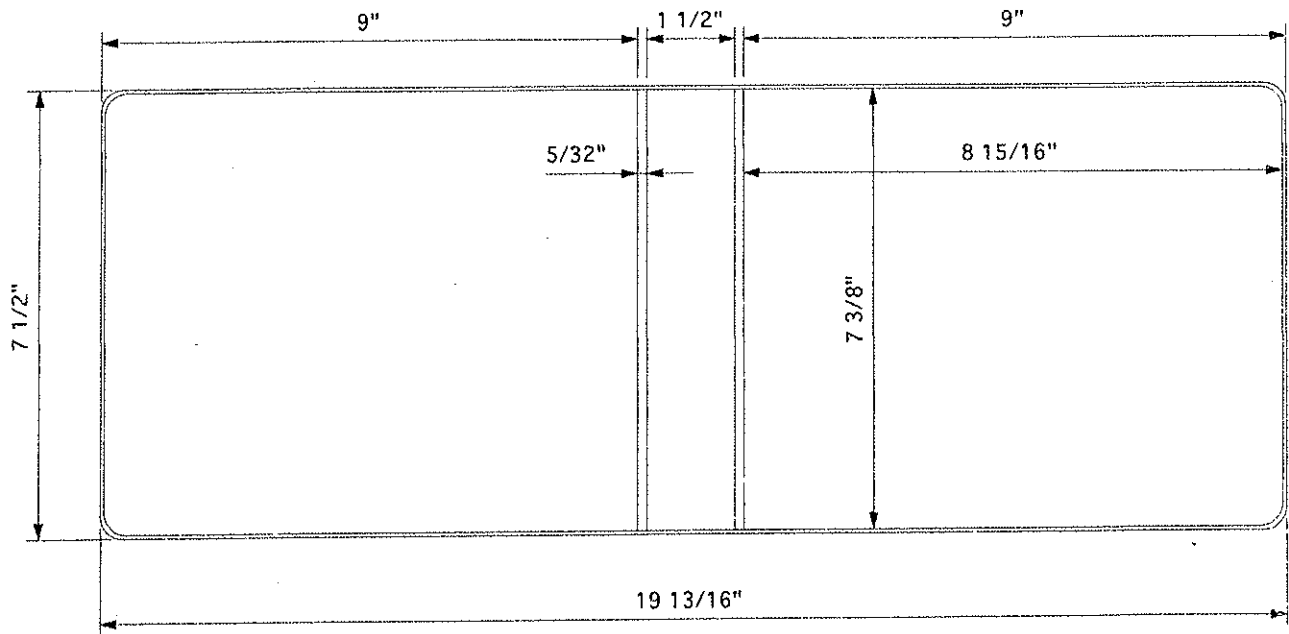


DIE #	7452	METAL	6 RING MEMO	RADIUS	3/8"
ORDER #	558661	CUSTOMER	ZIPPO MANUFACTURING	TEAR SEAL	.012
SHEET SIZE	7 1/4 X 4 3/4	STYLE CASE	VINYL BINDER	BAR SEAL	254
CAP.	1/2"	DUE DATE	6-13-03	COMPLETED	
LOCATION		QUANTITY	900	DATE	5-28-03



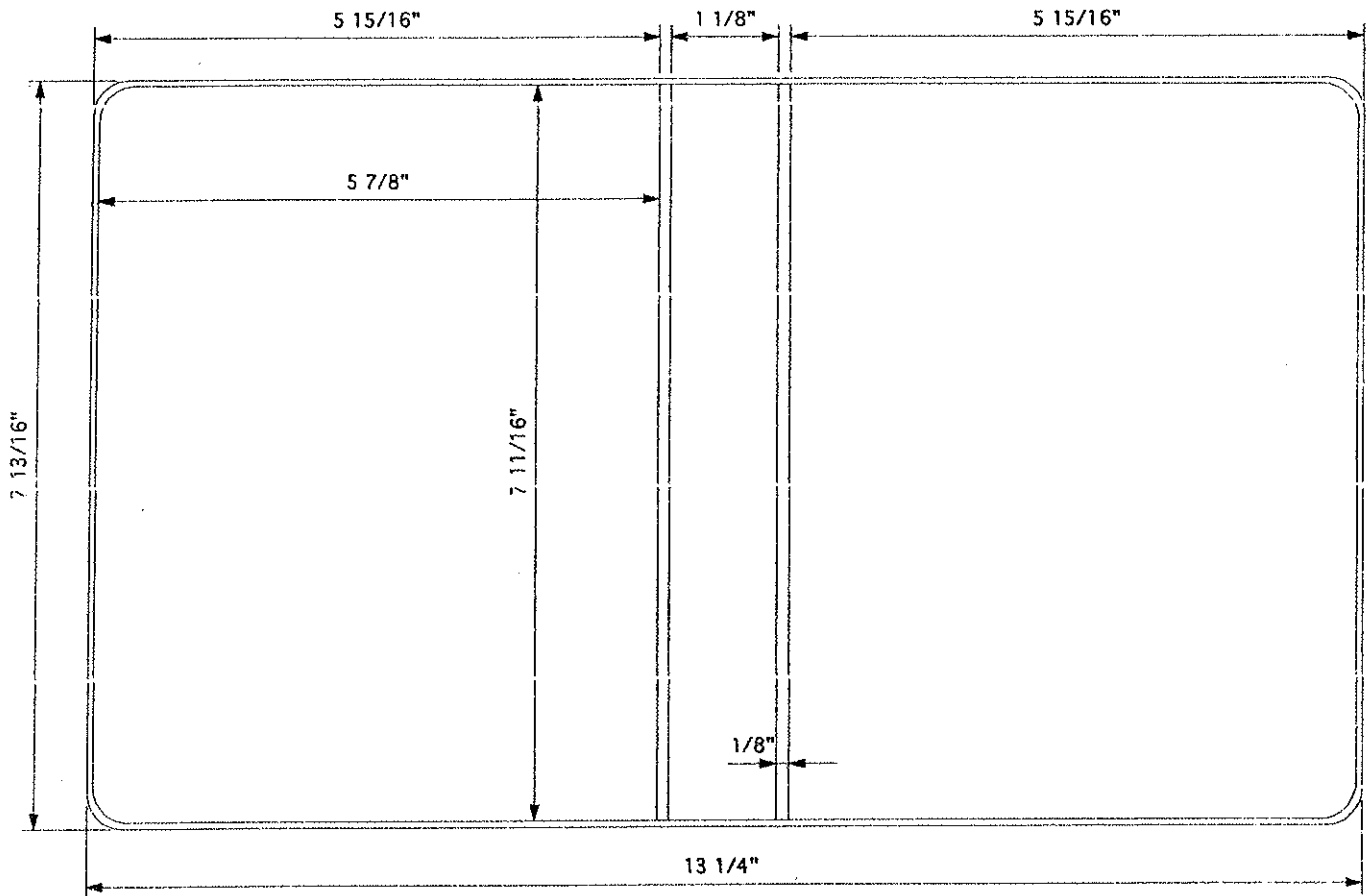
MATERIAL SPECS		GAUGE	PCS.	MATERIAL SPECS		GAUGE	PCS.
COVER MAT.	8 3/4 X 12 1/8		1	LINING MAT.	8 3/4 X 12 1/8		1
COVER MAT.				LINING MAT.			
DIE CUT				HORZ. PKT.			
COL				VERT. PKT.			
LABEL HOLDER				DIE CUT			
GUSSET				REINF.			
BOARD SPECS		5/16" R. CORNERS		GAUGE	PCS.	BOARD SPECS	
F.C. BOARD	7 13/16 X 5 1/16	120	1	F.C. BOARD		5/16" R. CORNERS	GAUGE PCS.
B.B. BOARD	7 13/16 X 21/32	120	1	B.B. BOARD			
B.C. BOARD	7 13/16 X 5 1/16	120	1	B.C. BOARD			
FLAP BD.				DIE CUT			
BOARD				DIE CUT			

DIE #	7524-R	METAL	STR D	RADIUS	3/8"
ORDER #	577483	CUSTOMER	INTERFACE INC	TEAR SEAL	.014
SHEET SIZE	7 1/2 X 9 OA	STYLE CASE	VINYL BINDER	BAR SEAL	48-4
CAP.	1"	DUE DATE	9-18-03	COMPLETED	
LOCATION		QUANTITY	3	DATE	9-18-03



MATERIAL SPECS		GAUGE		MATERIAL SPECS		GAUGE	
			PCS.				PCS.
COVER MAT.	8 1/4 X 20 1/2		1	LINING MAT.	8 1/4 X 20 1/2		1
COVER MAT.				LINING MAT.			
DIE CUT				HORZ. PKT.			
COL				VERT. PKT.			
LABEL HOLDER				DIE CUT			
GUSSET				REINF.			
BOARD SPECS		GAUGE		BOARD SPECS		GAUGE	
	5/16" R. CORNERS		PCS.		5/16" R. CORNERS		PCS.
F.C. BOARD	7 5/16 X 8 7/8	100	1	F.C. BOARD			
B.B. BOARD	7 5/16 X 1 13/32	100	1	B.B. BOARD			
B.C. BOARD	7 5/16 X 8 7/8	100	1	B.C. BOARD			
FLAP BD.				DIE CUT			
BOARD				DIE CUT			

DIE #	7620	METAL	OB MEMO	RADIUS	3/8"
ORDER #	599885	CUSTOMER	DICKARD WIDDER	TEAR SEAL	.012
SHEET SIZE	7 1/4 X 5	STYLE CASE	VINYL BINDER	BAR SEAL	48-3
CAP.	3/4"	DUE DATE	4-1-04	COMPLETED	
LOCATION		QUANTITY	8000	DATE	1-26-04



MATERIAL SPECS		GAUGE	PCS.	MATERIAL SPECS		GAUGE	PCS.	
COVER MAT.	8 5/8 X 14		1	LINING MAT.	8 5/8 X 14		1	
COVER MAT.				LINING MAT.				
DIE CUT				HORZ. PKT.				
COL				VERT. PKT.	8 5/8 X 3 3/4		1	
LABEL HOLDER				DIE CUT				
GUSSET				REINF.				
BOARD SPECS		5/16" R. CORNERS	GAUGE	PCS.	BOARD SPECS	5/16" R. CORNERS	GAUGE	PCS.
F.C. BOARD	7 5/8 X 5 13/16		100	1	F.C. BOARD			
B.B. BOARD	7 5/8 X 1 1/32		100	1	B.B. BOARD			
B.C. BOARD	7 5/8 X 5 13/16		100	1	B.C. BOARD			
FLAP BD.					DIE CUT			
BOARD					DIE CUT			