

Product Code

Style Case Ring Binder

Sheet Size 9 1/2 X 6 1/2 Cap. 1

Die No. 3485

Order No. 58369

Plate

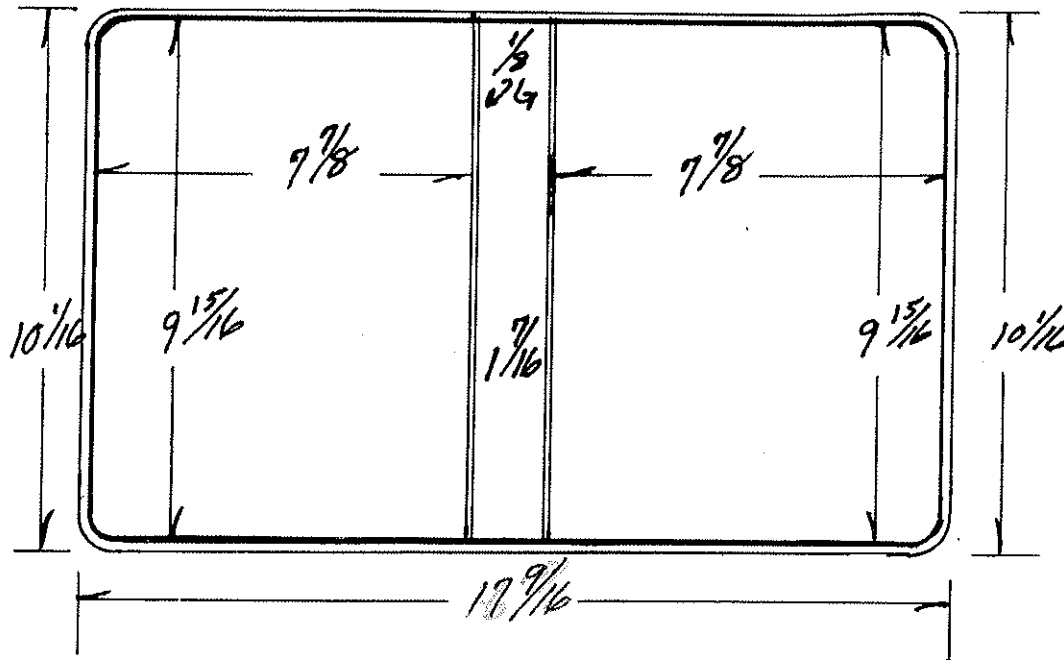
Customer

Ebsco Media

Metal
Total Vinyl <u>.030</u>
Quantity <u>100</u>
Date <u>4-3-86</u>
Type Corners <u>Rd</u>
Radius <u>3/32</u>
Completed

	Gauge	Thick
Tear Seal	<u>.016</u>	<u>3/32</u>
Bar Seal	<u>253</u>	<u>1/8</u>
Bar Seal		

	No. of Feet
Tear Seal	
Bar Seal	
Bar Seal	



Code	Ga.	# PCS	Cutting Specs		Code	Ga.	# Pcs.	Cutting Specs	
			Size	Out				Size	Out
Cover Mat.			<u>10 11/16 X 18 3/16</u>		Lining Mat.			<u>10 11/16 X 18 3/16</u>	
Cover Mat			X		Lining Mat.			X	
Vert. Pckt.			X		Horz. Pckt.			<u>5 7/8 X 8 3/8</u>	<u>1</u>
Vert. Pckt.			X		Horz. Pckt.			X	
Pocket			X		Pocket			X	
Label Holder			X		Card Holder			X	
Material			X		Material			X	
Material			X		Material			X	
Material			X		Material			X	
F.C. Board			<u>9 13/16 X 7 3/4</u>	<u>1</u>	B.C. Board			<u>9 13/16 X 7 3/4</u>	<u>1</u>
B.C. Board			X		B.B. Board			<u>9 13/16 X 1 5/16</u>	<u>1</u>
Center Board			X		Board			X	
Board			X		Strip			X	
Cover Pad			X		Strip			X	
					B.B. Pad			X	

Product Code

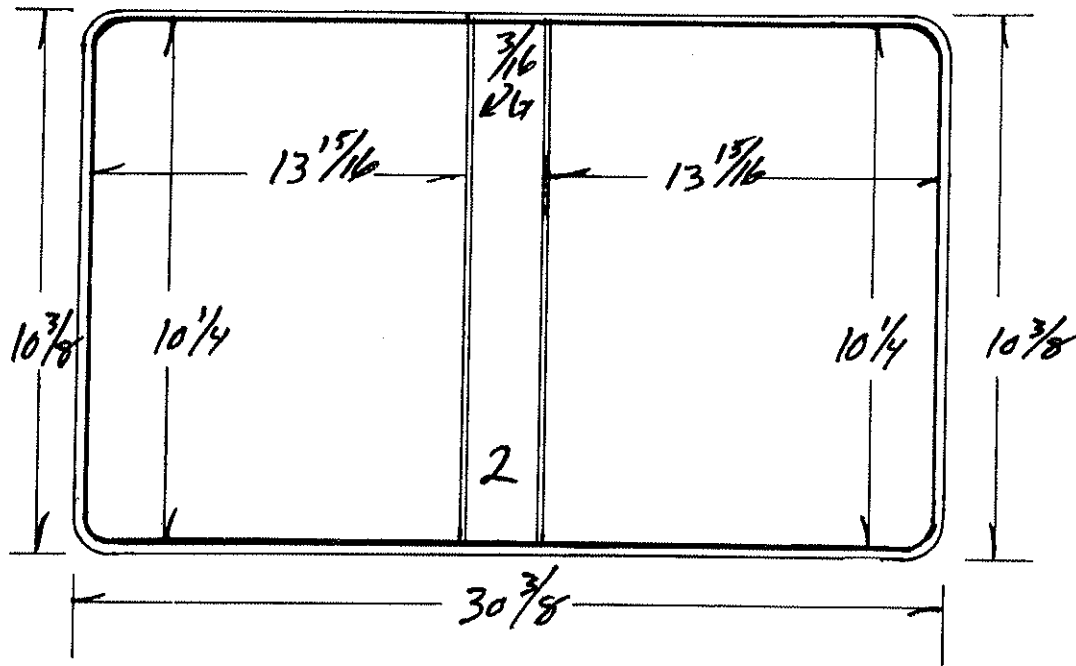
Style Case Ring Binder

Sheet Size 9 1/2 X 12 1/4 Cap. 1 1/2 Die No. 3652 Order No. 953276 Plate

Customer

Forecast Furniture Inc.

Metal
Total Vinyl
Quantity
Date
Type Corners
Radius
Completed



	Gauge	Thick
Tear Seal	<u>.016</u>	<u>3/32</u>
Bar Seal	<u>.195</u>	<u>3/16</u>
Bar Seal		

	No. of Feet
Tear Seal	
Bar Seal	
Bar Seal	

Code	Cutting Specs				Code	Cutting Specs			
	Ga.	PCS	Size	Out		Ga.	PCS	Size	Out
Cover Mat.		<u>11</u>	<u>X</u>	<u>31</u>	Lining Mat.		<u>11</u>	<u>X</u>	<u>31</u>
Cover Mat			<u>X</u>		Lining Mat.			<u>X</u>	
Vert. Pckt.			<u>X</u>		Horz. Pckt.			<u>X</u>	
Vert. Pckt.			<u>X</u>		Horz. Pckt.			<u>X</u>	
Pocket			<u>X</u>		Pocket			<u>X</u>	
Label Holder			<u>X</u>		Card Holder			<u>X</u>	
Material			<u>X</u>		Material			<u>X</u>	
Material			<u>X</u>		Material			<u>X</u>	
Material			<u>X</u>		Material			<u>X</u>	
F.C. Board		<u>10 1/8</u>	<u>X</u>	<u>13 13/16</u>	B.C. Board		<u>10 1/8</u>	<u>X</u>	<u>13 13/16</u>
B.C. Board			<u>X</u>		B.B. Board		<u>10 1/8</u>	<u>X</u>	<u>1 7/8</u>
Center Board		<u>10 3/16</u>	<u>X</u>	<u>13 7/8</u>	Board			<u>X</u>	
Board		<u>10 3/16</u>	<u>X</u>	<u>1 29/32</u>	Strip			<u>X</u>	
Cover Pad			<u>X</u>		Strip			<u>X</u>	
					B.B. Pad			<u>X</u>	

Product Code

Will R.4 Slipcase # 4168  
Style Case Ring Binder

Sheet Size  $9\frac{1}{2}$  X  $1\frac{1}{2}$  Cap. 1 Die No. 3655 Order No. 953453 Plate

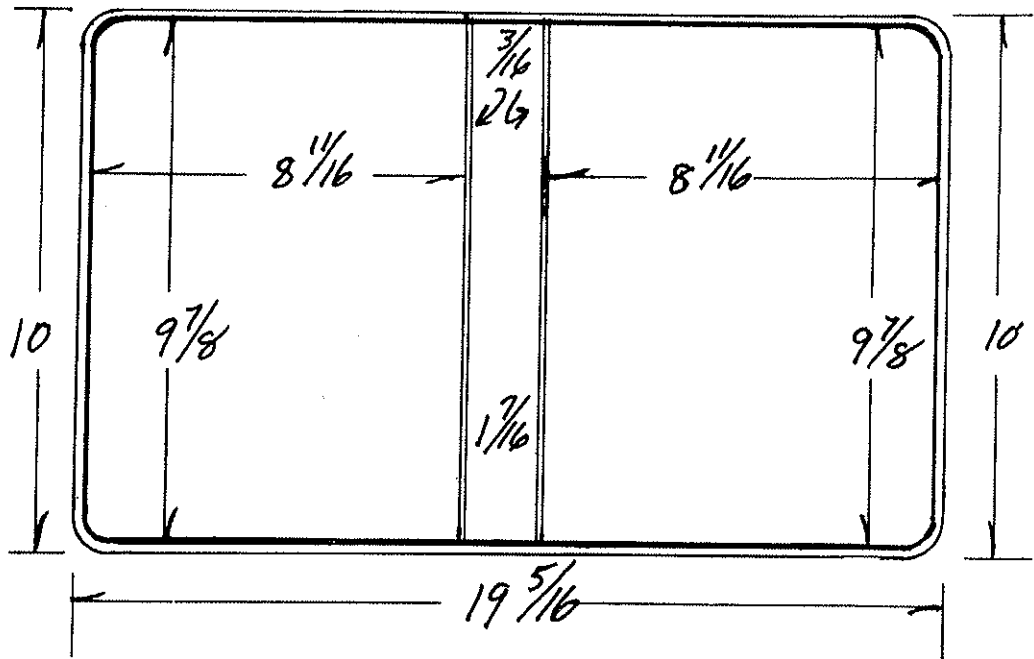
Customer

Continental offices Limited

Metal
Total Vinyl .030
Quantity 25
Date 11-7-36
Type Corners R <sub>1</sub>
Radius $\frac{1}{4}$
Completed

	Gauge	Thick
Tear Seal	.016	$\frac{3}{32}$
Bar Seal	.170	$\frac{7}{16}$
Bar Seal		

	No. of Feet
Tear Seal	
Bar Seal	
Bar Seal	



Code	Ga.	Pcs	Cutting Specs		Code	Ga.	Pcs.	Cutting Specs.	
			Size	Out				Size	Out
Cover Mat.		1	$10\frac{5}{8}$ X $19\frac{15}{16}$		Lining Mat.		1	$10\frac{5}{8}$ X $19\frac{15}{16}$	
Cover Mat.			X		Lining Mat.			X	
Vert. Pckt.			X		Horz. Pckt.			X	
Vert. Pckt.			X		Horz. Pckt.			X	
Pocket			X		Pocket			X	
Label Holder			X		Card Holder			X	
Material			X		Material			X	
Material			X		Material			X	
Material			X		Material			X	
F.C. Board		100	$9\frac{13}{16}$ X $8\frac{5}{8}$	1	B.C. Board		100	$9\frac{13}{16}$ X $8\frac{5}{8}$	1
B.C. Board			X		B.B. Board		100	$9\frac{13}{16}$ X $11\frac{1}{32}$	1
Center Board			X		Board			X	
Board			X		Strip			X	
Cover Pad			X		Strip			X	
					B.B. Pad			X	

Product Code

Style Case *V.R.B.*

Sheet Size

*9 1/2 X 7 3/4* Cap. *1 1/2*

Die No. *3789*

Order No. *58581*

Plate

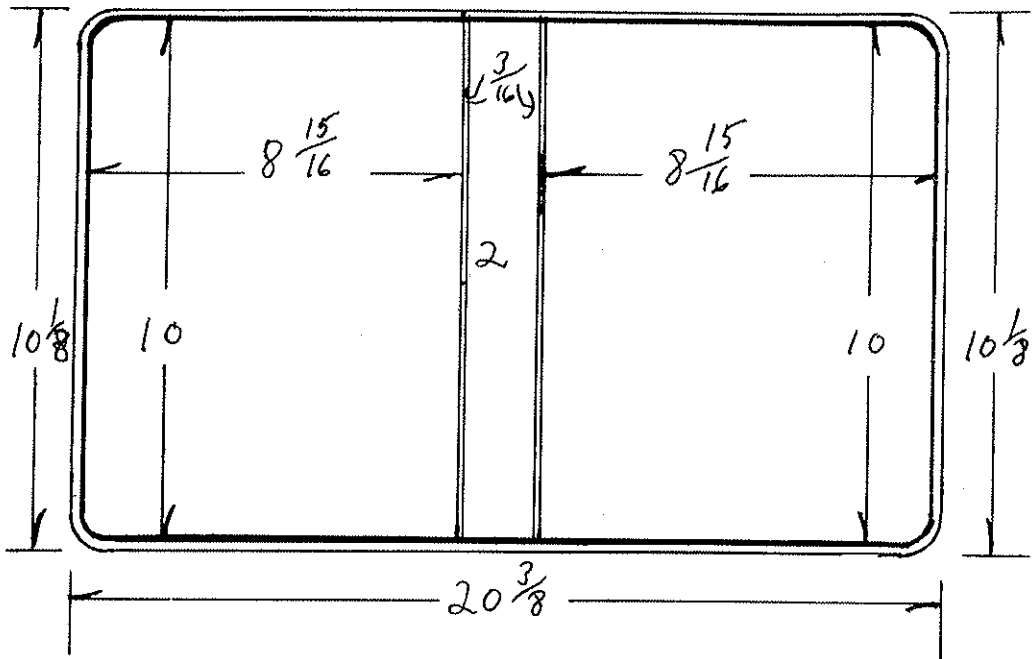
Customer

*E.D. Co. Media*

Metal
Total Vinyl
Quantity
Date
Type Corners <i>rd</i>
Radius <i>1/4</i>
Completed

	Gauge	Thick
Tear Seal	<i>16</i>	<i>2.22</i>
Bar Seal	<i>276</i>	
Bar Seal		

	No. of Feet
Tear Seal	
Bar Seal	
Bar Seal	



Code	Ga.	# PCS	Cutting Specs		Code	Ga.	# Pcs.	Cutting Specs	
			Size	Out				Size	Out
Cover Mat.		<i>1</i>			Lining Mat.		<i>1</i>		
Cover Mat.					Lining Mat.				
Vert. Pckt.					Horz. Pckt.				
Vert. Pckt.					Horz. Pckt.				
Pocket					Pocket				
Label Holder					Card Hlder				
Material					Material				
Material					Material				
Material					Material				
F.C. Board		<i>1</i>			B.C. Board		<i>1</i>		
B.C. Board					B.B. Board		<i>1</i>		
Center Board					Board				
Board					Strip				
Cover Pad					Strip				
					B.B. Pad				





Product Code

Style Case *U.S. King Hnglc D Ring Binder*

Sheet Size  $9\frac{1}{2}$  X  $9\frac{1}{2}$  Cap.  $1\frac{1}{2}$  Die No. 3821

Order No. 955563 Plate

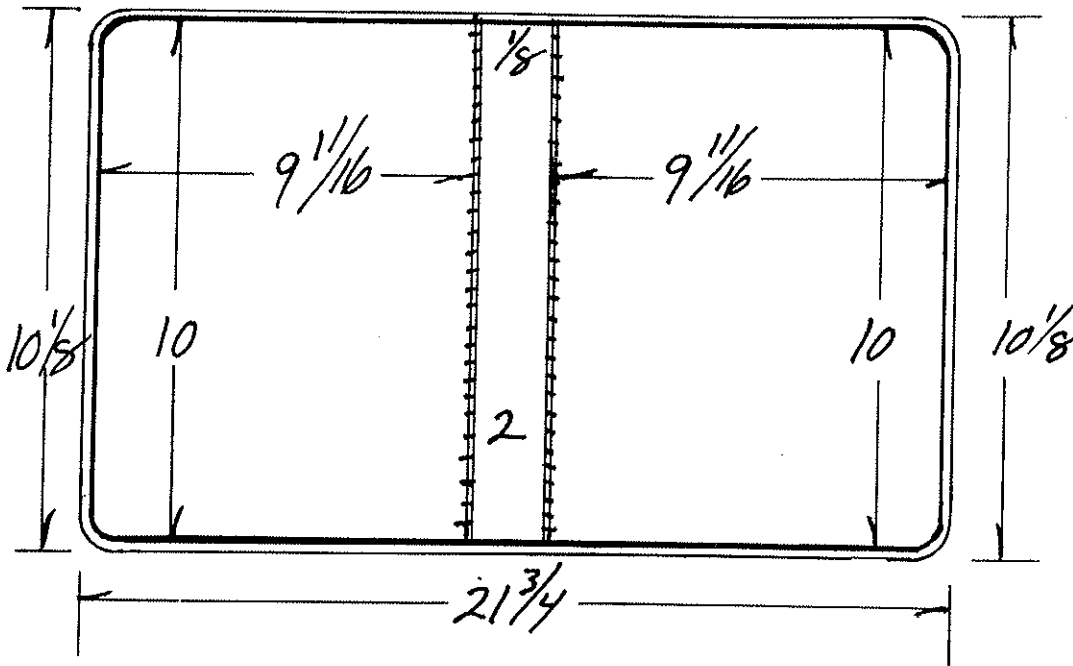
Customer

*Harris Corp.*

Metal	
Total Vinyl	.030
Quantity	500
Date	5-29-87
Type Corners	R2
Radius	1/4
Completed	

	Gauge	Thick
Tear Seal	.016	7/32
Bar Seal	72	1/8
Bar Seal		

	No. of Feet
Tear Seal	
Bar Seal	
Bar Seal	



Code	Ga.	PCS	Cutting Specs		Code	Ga.	Pcs.	Cutting Specs	
			Size	Out				Size	Out
Cover Mat.			$10\frac{3}{4}$ X $22\frac{3}{8}$	1	Lining Mat.			$10\frac{3}{4}$ X $22\frac{3}{8}$	1
Cover Mat.			X		Lining Mat.			X	
Vert. Pckt.			X		Horz. Pckt.			7 X $12\frac{3}{8}$	1
Vert. Pckt.			X		Horz. Pckt.			X	
Pocket			X		Pocket			X	
Label Holder			X		Card Holder			X	
Material			X		Material			X	
Material			X		Material			X	
Material			X		Material			X	
F.C. Board			$9\frac{29}{32}$ X $9\frac{19}{32}$	120 / 1	B.C. Board			$9\frac{29}{32}$ X $9\frac{19}{32}$	120 / 1
B.C. Board			$9\frac{15}{16}$ X $9\frac{5}{8}$	100 / 2	B.B. Board			$9\frac{29}{32}$ X $12\frac{29}{32}$	120 / 1
Center Board			$9\frac{15}{16}$ X $12\frac{29}{32}$	100 / 1	Board			X	
Board			X		Strip			X	
Cover Pad			X		Strip			X	
					B.B. Pad			X	

Product Code

Style Case Ring Binder

Sheet Size  $9\frac{5}{8}$  X 7 Cap.  $\frac{3}{4}$  Die No. 3827 Order No. 955401 Plate

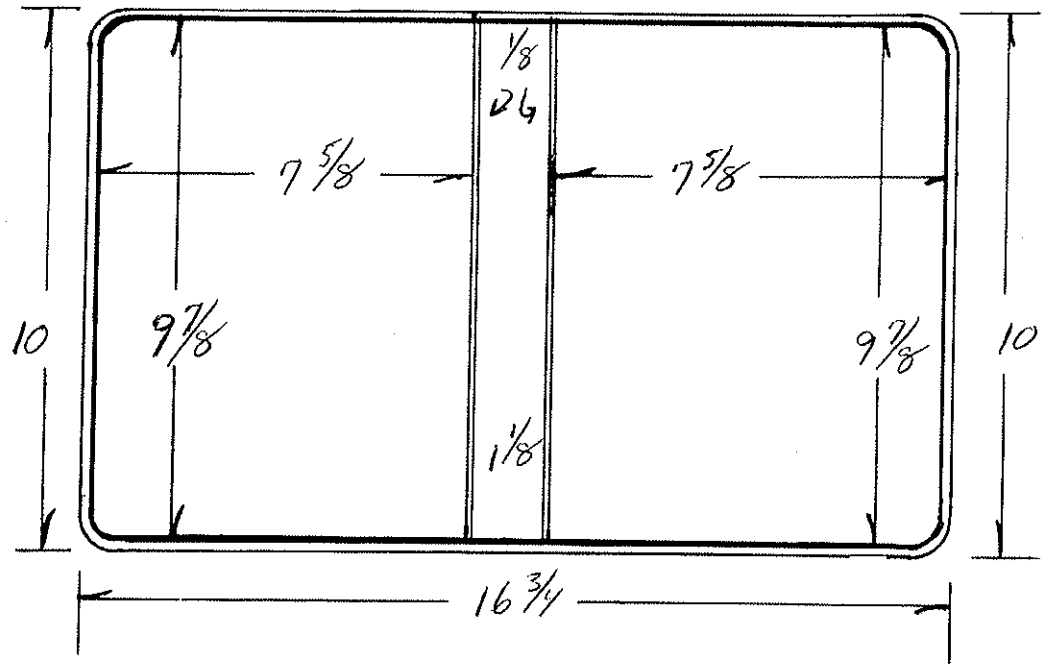
Customer

Bank of California

Metal
Total Vinyl 1030
Quantity 250
Date 8-7-87
Type Corners Rd
Radius $\frac{3}{32}$
Completed

	Gauge	Thick
Tear Seal	.016	$\frac{3}{32}$
Bar Seal	253	$\frac{1}{8}$
Bar Seal		

	No. of Feet
Tear Seal	
Bar Seal	
Bar Seal	



Tab extension is outside of Binder

Code	Ga.	PCS	Cutting Specs		Code	Ga.	Pcs.	Cutting Specs	
			Size	Out				Size	Out
Cover Mat.		1	$10\frac{5}{8} \times 17\frac{3}{8}$		Lining Mat.		1	$10\frac{5}{8} \times 17\frac{3}{8}$	
Cover Mat.	X				Lining Mat.	X			
Vert. Pckt.	X				Horz. Pckt.	X			
Vert. Pckt.	X				Horz. Pckt.	X			
Pocket	X				Pocket	X			
Label Holder	X				Card Holder	X			
Material	X				Material	X			
Material	X				Material	X			
Material	X				Material	X			
F.C. Board		1	$9\frac{13}{16} \times 7\frac{9}{16}$		B.C. Board		1	$9\frac{13}{16} \times 7\frac{9}{16}$	
B.C. Board	X				B.B. Board		1	$9\frac{13}{16} \times 1\frac{1}{16}$	
Center Board	X				Board	X			
Board	X				Strip	X			
Cover Pad	X				Strip	X			
					B.B. Pad	X			



Product Code

Style Case URB 2 1/4" STR. D. NY

Sheet Size 9 1/2 x 7 1/2 Cap. 2 1/4 D Die No. 3836

Order No. 970209 Plate

Customer

HARRIS COMPUTER SYSTEMS

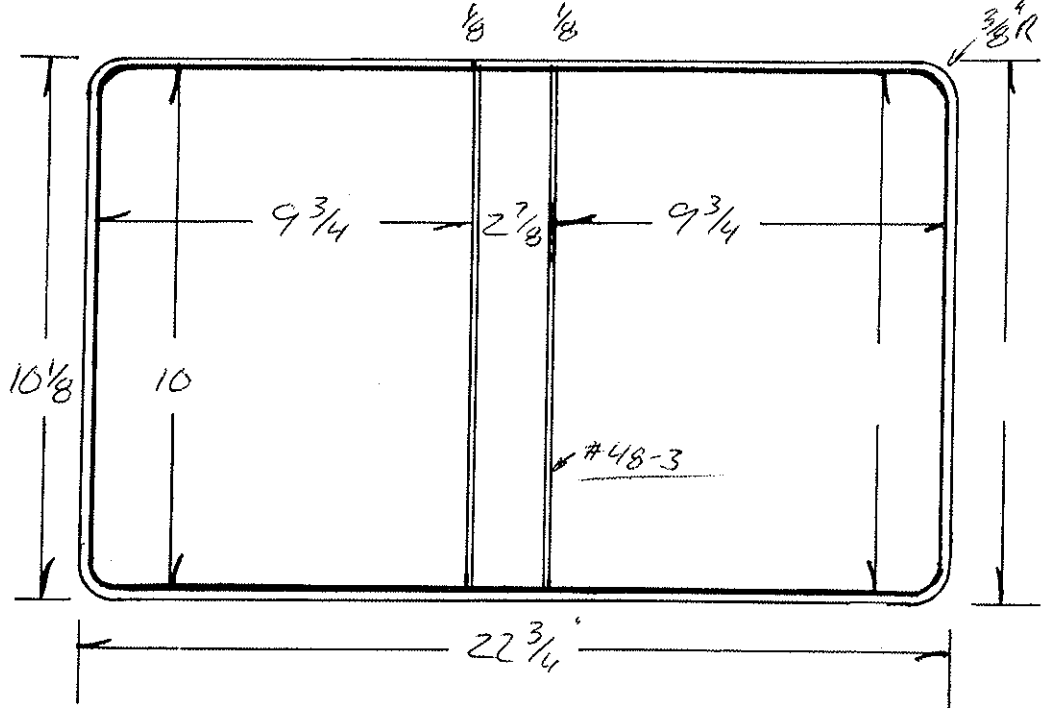
10-18

Metal
Total Vinyl
Quantity <u>500</u>
Date <u>10-1-91</u>
Type Corners
Radius <u>3/8"</u>
Completed

	Gauge	Thick
Tear Seal		
Bar Seal		
Bar Seal		

	No. of Feet
Tear Seal	
Bar Seal	
Bar Seal	

D.W. B. Pace



ORIGINAL ORDER # 955837

Code	Ga.	# PCS	Cutting Specs		Code	Ga.	# Pcs.	Cutting Specs	
			Size	Out				Size	Out
Cover Mat.			$10 \frac{3}{4} \times 23 \frac{1}{2}$	1	Lining Mat.			$10 \frac{3}{4} \times 23 \frac{1}{2}$	1
Cover Mat			X		Lining Mat.			X	
Vert. Pckt.			X		Horz. Pckt.			X	
Vert. Pckt.			X		Horz. Pckt.			$7 \frac{1}{8} \times 10 \frac{3}{8}$	1
Pocket			X		Pocket			X	
Label Holder			$3 \frac{7}{8} \times 9 \frac{5}{16}$	8	Card Holder			X	
Material			X		Material			X	
Material			X		Material			X	
Material			X		Material			X	
F.C. Board			$9 \frac{15}{16} \times 9 \frac{11}{16}$	100	B.C. Board			X	
B.G. Board			$9 \frac{15}{16} \times 9 \frac{11}{16}$	100	B.B. Board			$9 \frac{15}{16} \times 2 \frac{25}{32}$	100
Center Board			X		Board			X	
Board			X		Strip			X	
Cover Pad			X		Strip			X	
					B.B. Pad			X	

Product Code 9 1/2" metal

Style Case Ring Binder Rd. metal

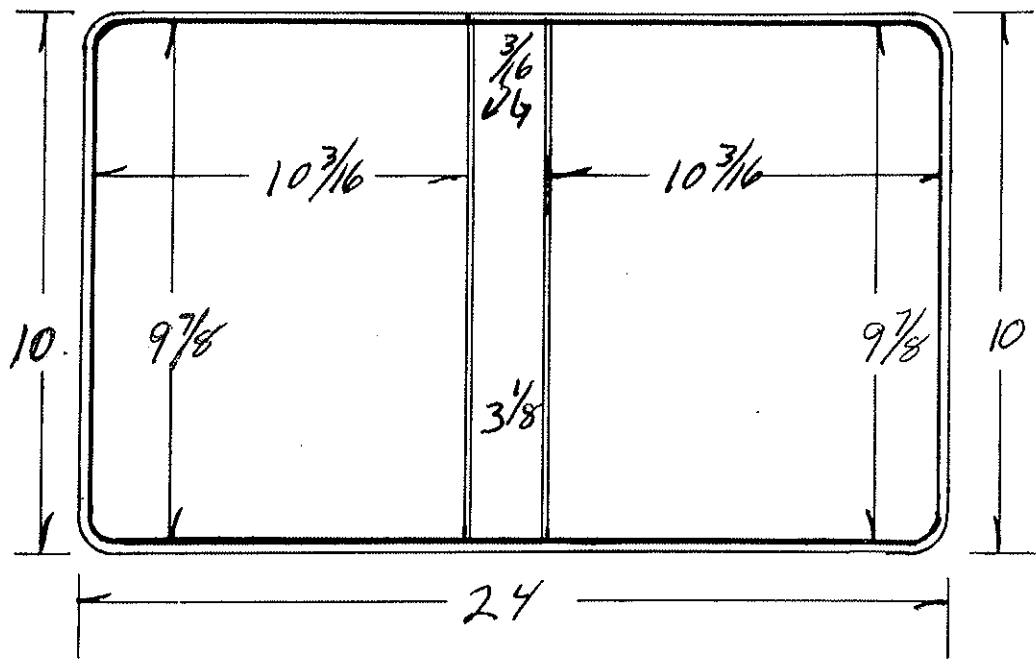
Sheet Size 9 1/2 x 7 1/2 Cap. 2 1/2 Die No. 3870 Order No. 956440 Plate

Z B R

Customer	
Metal	
Total Vinyl	.030
Quantity	525
Date	9-3-87
Type Corners	Rd
Radius	1/4
Completed	

	Gauge	Thick
Tear Seal	.016	3/32
Bar Seal	178	3/16
Bar Seal		

	No. of Feet
Tear Seal	
Bar Seal	
Bar Seal	



Code		Cutting Specs		Code		Cutting Specs			
		Ga.	PCS	Size	Out	Ga.	Pcs.	Size	Out
Cover Mat.	10 5/8 x 24 3/4		1			Lining Mat.	10 5/8 x 24 3/4		1
Cover Mat.	X					Lining Mat.	X		
Vert. Pckt.	X					Horz. Pckt.	X		
Vert. Pckt.	X					Horz. Pckt.	X		
Pocket	X					Pocket	X		
Label Holder	X					Card Holder	X		
Material	X					Material	X		
Material	X					Material	X		
Material	X					Material	X		
F.C. Board	9 25/32 x 10 7/32		1			B.C. Board	9 25/32 x 10 3/32		1
B.C. Board	X					B.B. Board	9 25/32 x 3 1/8		1
Center Board	X					Board	X		
Board	9 13/16 x 10 1/8		2			Strip	X		
Cover Pad	9 13/16 x 3 1/32		1			Strip	X		
						B.B. Pad	X		

Product Code

Style Case 9 1/2" Metal Ring Binder

Sheet Size 9 X 7 3/4 Cap. 1 Die No. 3881 Order No. 58667 Plate

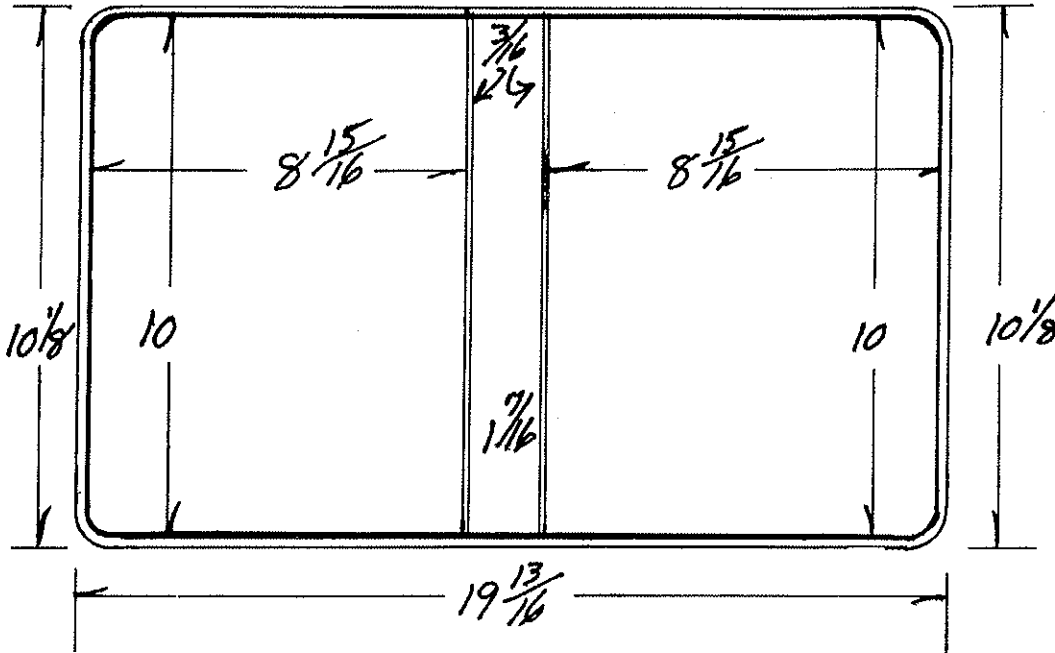
Customer

EBSCO Media

Metal
Total Vinyl <u>.030</u>
Quantity <u>950</u>
Date <u>8/28/87</u>
Type Corners <u>RD</u>
Radius <u>1/4</u>
Completed

	Gauge	Thick
Tear Seal	<u>.016</u>	<u>3/32</u>
Bar Seal	<u>178</u>	<u>3/16</u>
Bar Seal		

	No. of Feet
Tear Seal	
Bar Seal	
Bar Seal	



Code	Cutting Specs		Code	Cutting Specs	
	Ga.	# PCS		Ga.	# PCS
Cover Mat.	<u>10 3/4 X</u>	<u>20 7/16</u>	Lining Mat.	<u>10 3/4 X</u>	<u>20 7/16</u>
Cover Mat	X		Lining Mat.	X	
Vert. Pckt.	X		Horz. Pckt.	X	
Vert. Pckt.	X		Horz. Pckt.	X	
Pocket	X		Pocket	X	
Label Holder	X		Card Holder	X	
Material	X		Material	X	
Material	X		Material	X	
Material	X		Material	X	
F.C. Board	<u>9 29/32 X</u>	<u>8 27/32</u>	B.C. Board	<u>9 29/32 X</u>	<u>8 27/32</u>
B.G. Board	X		B.B. Board	<u>9 29/32 X</u>	<u>1 1/32</u>
Center Board	X		Board	X	
Board	X		Strip	X	
Cover Pad	X		Strip	X	
			B.B. Pad	X	

Product Code

Style Case

11RB

Sheet Size  $9\frac{1}{2}$  x  $6\frac{1}{2}$  Cap. 1"

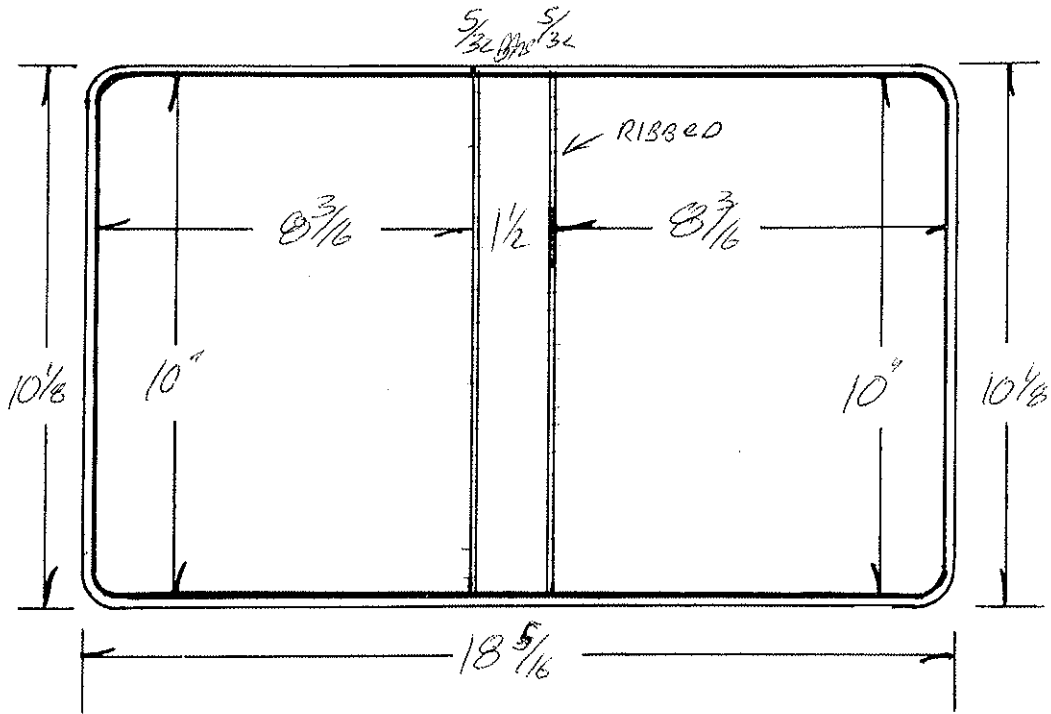
Die No. 4111

Order No. 961269.1

Plate

Customer LOGISTIX

Metal
Total Vinyl
Quantity
Date 12-20-86
Type Corners RND
Radius $\frac{3}{8}$
Completed



	Gauge	Thick
Tear Seal	16	$\frac{3}{32}$
Bar Seal		$\frac{5}{32}$
Bar Seal		

	No. of Feet
Tear Seal	
Bar Seal	
Bar Seal	

Code		Cutting Specs		Code		Cutting Specs		
Ga.	Pcs.	Size	Out	Ga.	Pcs.	Size	Out	
Cover Mat.		11 x $19\frac{1}{8}$	15	1	Lining Mat.	11 x $19\frac{1}{8}$	15	1
Cover Mat.		X			Lining Mat.	X		
Vert. Pckt.		X			Horz. Pckt.	X		
Vert. Pckt.		X			Horz. Pckt.	X		
Pocket		X			Pocket	X		
Label Holder		X			Card Holder	X		
Material		X			Material	X		
Material		X			Material	X		
Material		X			Material	X		
F.C. Board		$9\frac{29}{32}$ x $8\frac{7}{32}$	100	1	B.C. Board	X		
B.C. Board		$9\frac{29}{32}$ x $8\frac{7}{32}$	100	1	B.B. Board	$1\frac{13}{32}$ x $9\frac{29}{32}$	100	1
Center Board		X			Board	X		
Board		X			Strip	X		
Cover Pad		X			Strip	X		
					B.B. Pad	X		

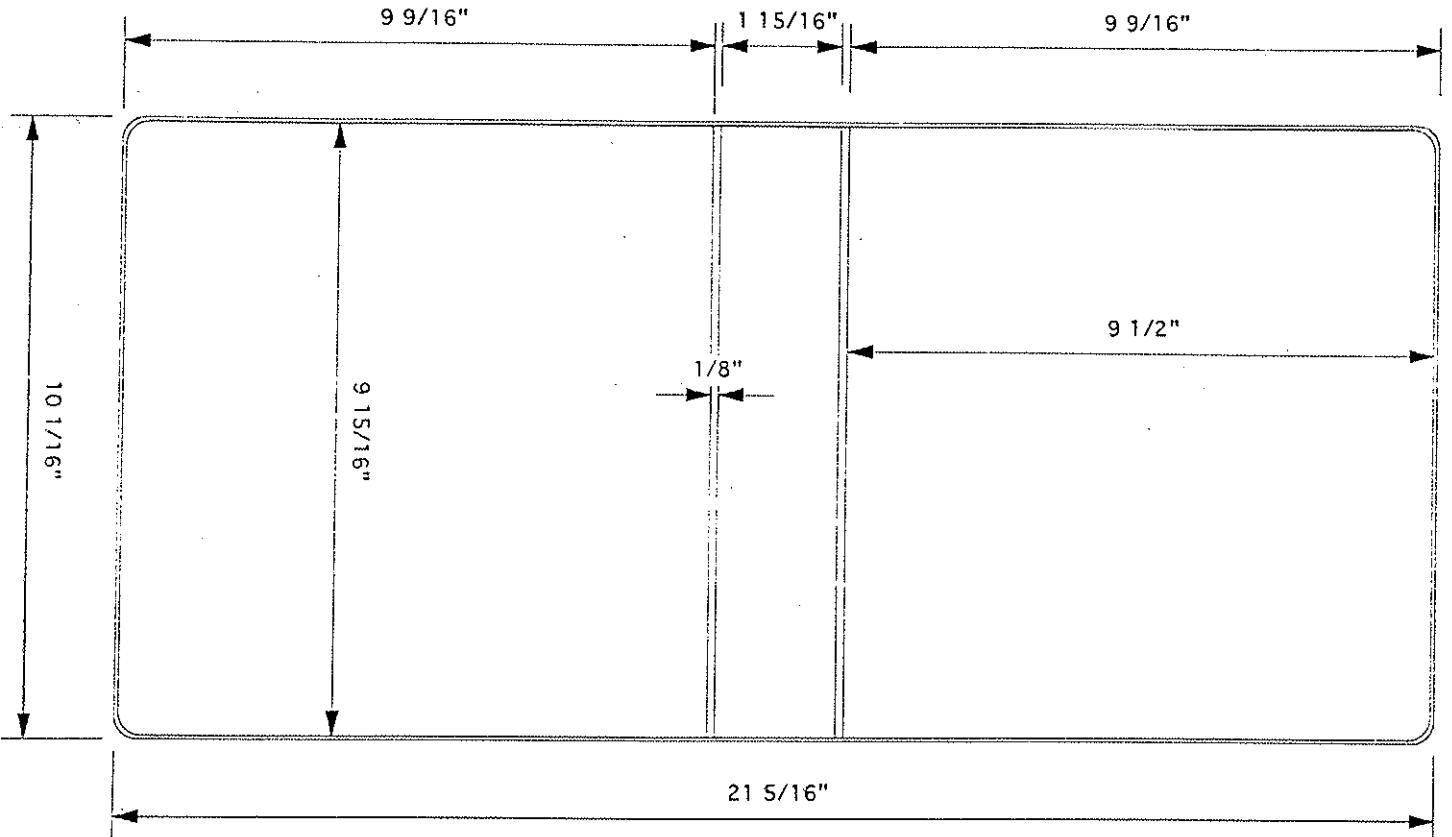




LOC

Fits Slipcase # 4169

DIE # 4169 B		STYLE CASE VINYL RING BINDER		LOCATION E-8-2	
SHEET SIZE 9 X 8		CAP. 1 1/2		ORDER #	
CUSTOMER				DUE DATE	
QUANTITY		RADIUS	3/8	TEAR SEAL	.012
DATE		COMPLETED		BAR SEAL	253



MATERIAL SPECS		GA		PCS		GA		PCS	
COVER MATL	11 13/16 X 22 1/16	1	LINING	11 13/16 X 22 1/16					
COVER MATL			LINING						
VERT PKT			HORZ PKT						
VERT PKT			HORZPKT						
CARD HOLDER			DIAGONAL PKT						
COL			LABEL HOLDER						
EX COL			GUSSETT						
			REINF						

BOARD SPECS					
F.C. BOARD	9 7/8 X 9 7/16	100	1	F.C. BOARD	
B.B. BOARD	9 7/8 X 1 27/32	100	1	B.B. BOARD	
B.C. BOARD	9 7/8 X 9 7/16	100	1	B.C. BOARD	
BU STRIP					

Product Code

Style Case

VRB (ROUND RING)

Sheet Size 9 1/2 X 7 1/2 Cap. Z

Die No. 4314

Order No. 963908

Plate

Customer

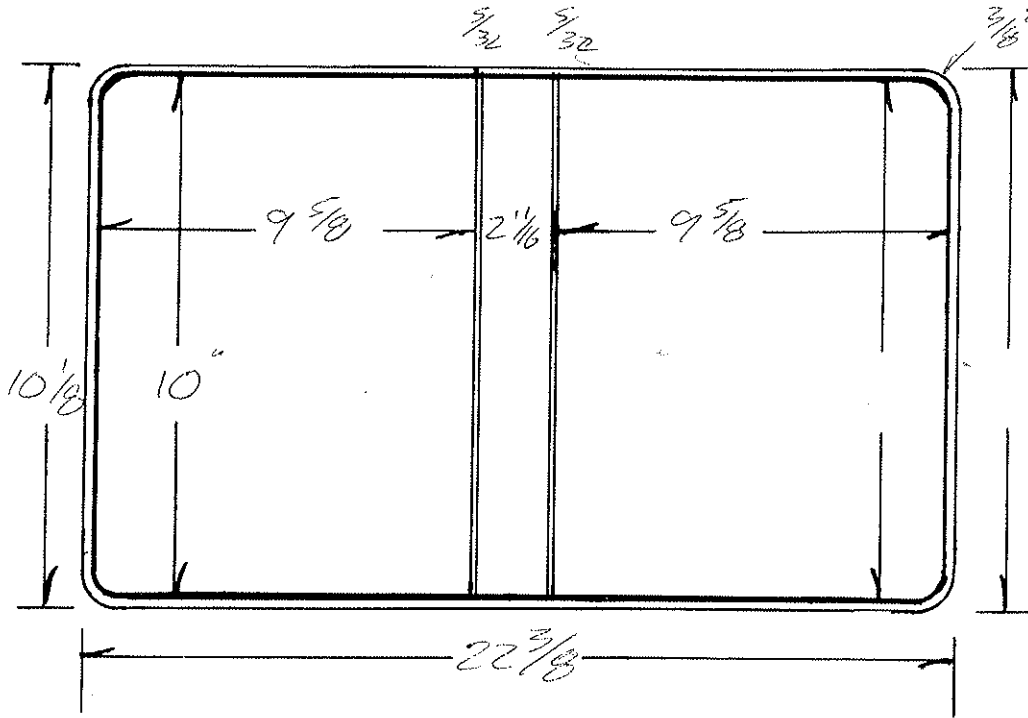
BENMAR AGENCIES

Metal
Total Vinyl
Quantity
Date 10-30-89
Type Corners
Radius 3/8
Completed 10-31-89 RET

	Gauge	Thick
Tear Seal	.016	1/16
Bar Seal	#254	3/32"
Bar Seal		

	No. of Feet
Tear Seal	
Bar Seal	
Bar Seal	

11-6



SIZE BY: B.P.  
CHECK BY: B.M.

Code		Cutting Specs		Code		Cutting Specs			
		Ga.	# PCS	Size	Out	Ga.	# Pcs.	Size	Out
Cover Mat.	11 X 23 1/8	15	1			Lining Mat.	11 X 23 1/8	15	1
Cover Mat.	X					Lining Mat.	X		
Vert. Pckt.	X					Horz. Pckt.	4 3/8 X 10 1/8		
Vert. Pckt.	X					Horz. Pckt.	4 3/8 X 23 1/8		
Pocket	X					Pocket	X		
Label Holder	X					Card Holder	X		
Material	X					Material	X		
Material	X					Material	X		
Material	X					Material	X		
F.C. Board	9 29/32 X 9 17/32	100	1			B.C. Board	X		
B.C. Board	9 29/32 X 9 17/32	100	1			B.B. Board	9 29/32 X 2 19/32	100	1
Center Board	X					Board	X		
Board	X					Strip	X		
Cover Pad	X					Strip	X		
						B.B. Pad	X		



Product Code

Style Case **VRB**

Sheet Size **9 1/2 X 8**

Cap. **1**

Die No. **4493A**

Order No. **966213**

Plate

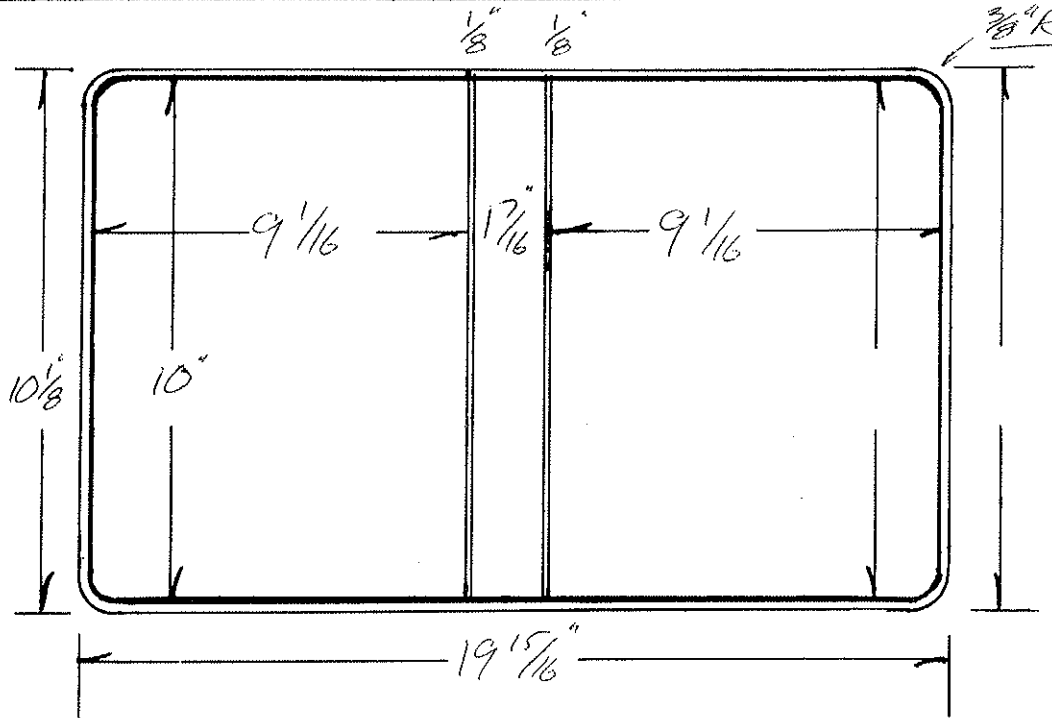
**COLAD GROUP**

Customer

Metal
Total Vinyl
Quantity <b>5,000</b>
Date <b>8-9-90</b>
Type Corners
Radius <b>1/16</b>
Completed

	Gauge	Thick
Tear Seal	<b>014</b>	<b>1/16</b>
Bar Seal	<b>#253</b>	<b>1/8"</b>
Bar Seal		

	No. of Feet
Tear Seal	
Bar Seal	
Bar Seal	



SIZE - B.P.  
 CHECK - *PP*  
*Case only*

WACT AS SAMPLE

Code		Ga. # PCS		Cutting Specs		Code		Ga. # PCS		Cutting Specs	
				Size	Out					Size	Out
Cover Mat.	11" X 20 3/4	14	1			Lining Mat.	11" X 20 3/4	14	1		
Cover Mat.	X					Lining Mat.	X				
Vert. Pckt.	X					Horz. Pckt.	X				
Vert. Pckt.	X					Horz. Pckt.	X				
Pocket	X					Pocket	R. 9 1/4 X 7 1/8	14	1		
Label Holder	X					Card Holder	X				
Material	Pkt. 10 13/16 X 20 3/4					Material	X				
Material	X					Material	X				
Material	X					Material	X				
F.C. Board	9 29/32 X 8 31/32	100	1			B.C. Board	X				
B.C. Board	9 29/32 X 8 31/32	100	1			B.B. Board	9 29/32 X 1 1/32	100	1		
Center Board	X					Board	X				
Board	X					Strip	X				
Cover Pad	X					Strip	X				
						B.B. Pad	X				

SAMPLE INSERT SIZES  
 { 9 55/64" X 8 59/64"  
 9 55/64" X 1 5/16"  
 Code

Mount A+B together on Plate #5555

Product Code

Style Case VRB L.O.C.

Sheet Size 9 x 7 5/8 Cap. 3/4

Die No. 4591

Order No. 967099

Plate

Customer

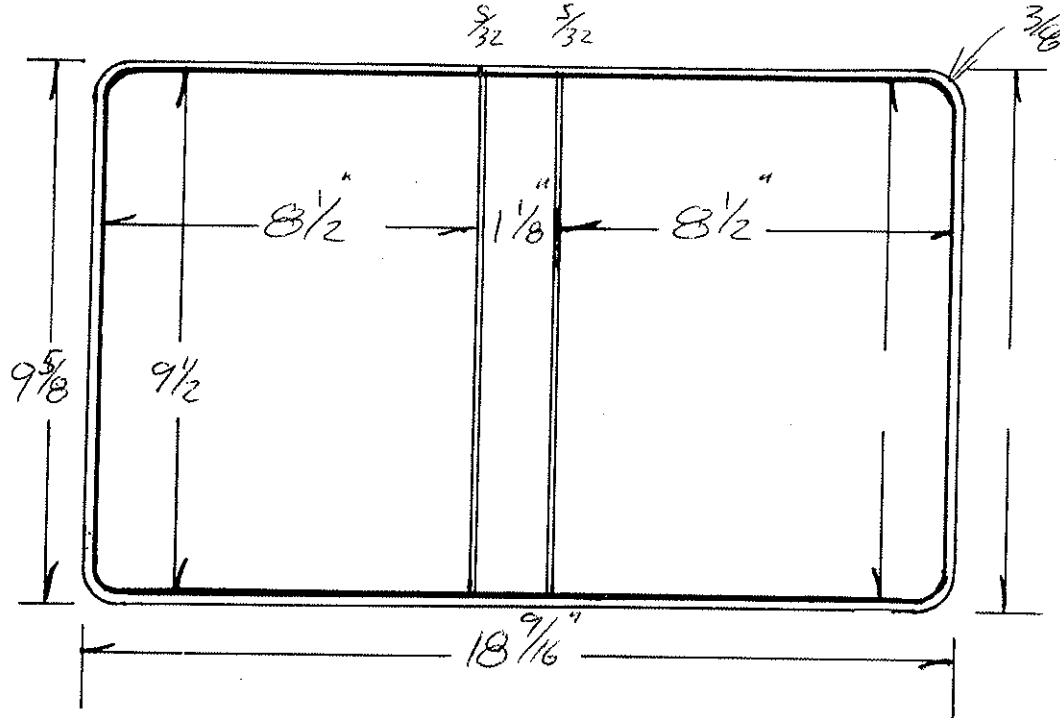
Tennessee INDUSTRIAL PRINT

Metal
Total Vinyl
Quantity <u>750</u>
Date <u>11-14-90</u>
Type Corners
Radius <u>3/8"</u>
Completed

	Gauge	Thick
Tear Seal	<u>.014</u>	<u>1/16"</u>
Bar Seal		
Bar Seal		

	No. of Feet
Tear Seal	
Bar Seal	
Bar Seal	

SIZE - B.P.  
CHECK - *[Signature]*



Code		Cutting Specs		Code		Cutting Specs		
Ga.	# PCS	Size	Out	Ga.	# PCS	Size	Out	
Cover Mat.		<u>10 3/8 X 19 3/8</u>	<u>15</u>	<u>1</u>	Lining Mat.	<u>10 3/8 X 19 3/8</u>	<u>15</u>	<u>1</u>
Cover Mat		X			Lining Mat.	X		
Vert. Pckt.		X			Horz. Pckt.	X		
Vert. Pckt.		X			Horz. Pckt.	X		
Pocket		X			Pocket	X		
Label Holder		X			Card Holder	X		
Material		X			Material	X		
Material		X			Material	X		
Material		X			Material	X		
F.C. Board		<u>9 13/32 X 8 13/32</u>	<u>100</u>	<u>1</u>	B.C. Board	X		
B.C. Board		<u>9 13/32 X 8 13/32</u>	<u>100</u>	<u>1</u>	B.B. Board	<u>9 13/32 X 1 1/32</u>	<u>100</u>	<u>1</u>
Center Board		X			Board	X		
Board		X			Strip	X		
Cover Pad		X			Strip	X		
					B.B. Pad	X		

Product Code

Style Case *VRB*

Sheet Size *9 X 8* Cap. *2*

Die No. *4652*

Order No. *967698*

Plate *C-10*

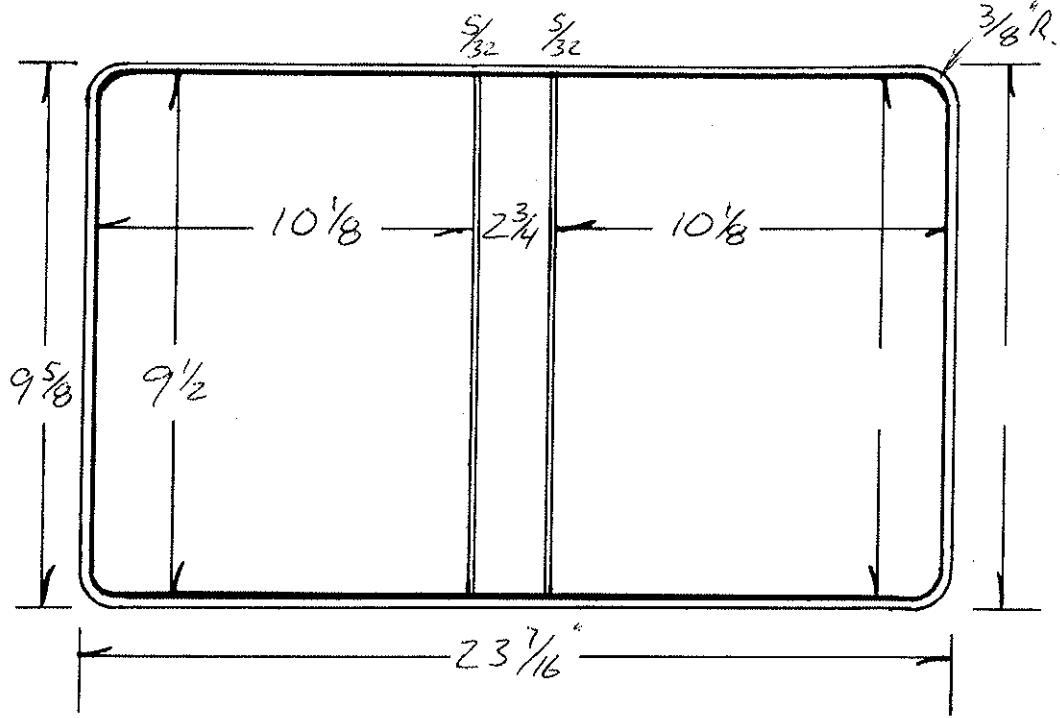
Customer

*INDIANA BELL*

Metal	
Total Vinyl	
Quantity	<i>50</i>
Date	<i>1-30-91</i>
Type Corners	
Radius	<i>3/8" R</i>
Completed	

	Gauge	Thick
Tear Seal	<i>.014</i>	<i>1/16</i>
Bar Seal	<i>#254</i>	<i>5/32"</i>
Bar Seal		

	No. of Feet
Tear Seal	
Bar Seal	
Bar Seal	



*Size - B. P.*  
*Check - 74W*

Code	Ga.	PCS	Cutting Specs		Code	Ga.	Pcs.	Cutting Specs	
			Size	Out				Size	Out
Cover Mat.			<i>10 1/8 X 24 1/4</i>	<i>15 1</i>	Lining Mat.			<i>10 1/8 X 24 1/4</i>	<i>15 1</i>
Cover Mat.			X		Lining Mat.			X	
Vert. Pckt.			X		Horz. Pckt.			<i>4 3/8 X 24 1/4</i>	<i>15 1</i>
Vert. Pckt.			X		Horz. Pckt.			X	
Pocket			X		Pocket			X	
Label Holder	<i>FULL</i>		X		Card Hlder			X	
Material	<i>COL</i>		<i>9 3/4 X 24 1/4</i>	<i>8 1</i>	Material			X	
Material			X		Material			X	
Material			X		Material			X	
F.C. Board			<i>9 13/32 X 10 1/32</i>	<i>100 1</i>	B.C. Board			X	
B.C. Board			<i>9 13/32 X 10 1/32</i>	<i>100 1</i>	B.B. Board			<i>9 13/32 X 2 21/32</i>	<i>100 1</i>
Center Board			X		Board			X	
Board			X		Strip			X	
Cover Pad			X		Strip			X	
					B.B. Pad			X	

Product Code

Style Case *VRB W12-8 1/2-3-1 NB*

Sheet Size *9 1/4* X *13*

Cap. *1*

Die No. *4877*

Order No. *970025*

Plate *K-4-*

Customer

*HERFF JONES YEARBOOK*

*9-16*

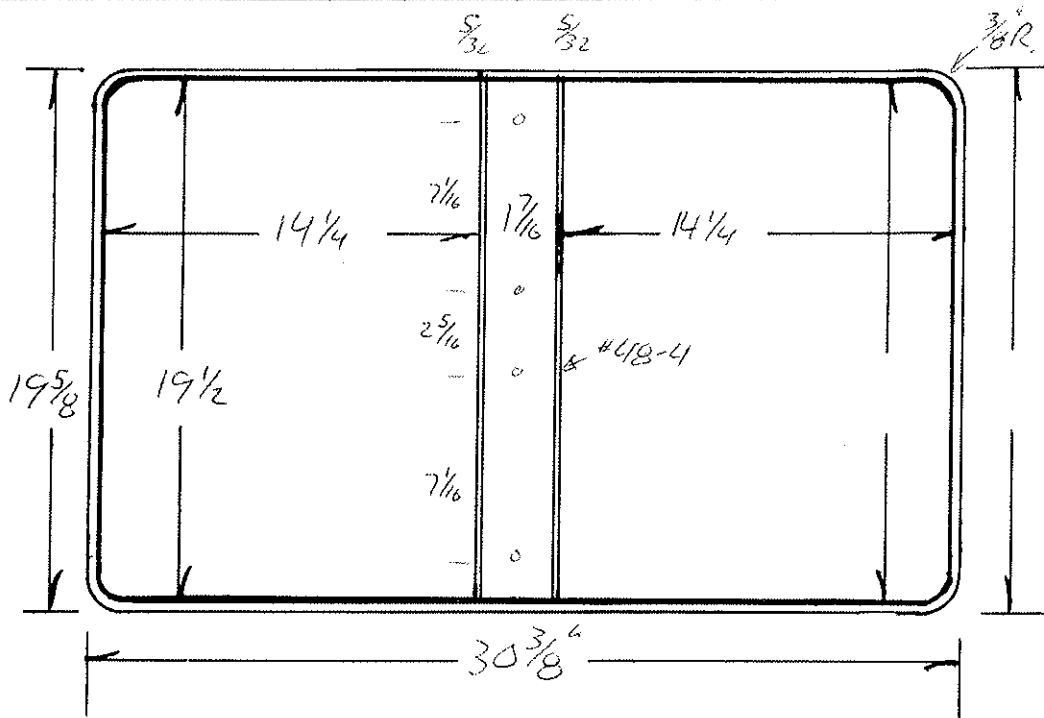
Metal
Total Vinyl
Quantity <i>1</i>
Date <i>10-12-91</i>
Type Corners
Radius <i>3/8</i>
Completed

	Gauge	Thick
Tear Seal	<i>.014</i>	<i>1/16</i>
Bar Seal	<i>48-4</i>	<i>5/32</i>
Bar Seal		

	No. of Feet
Tear Seal	
Bar Seal	
Bar Seal	

*Dwy - B-Pacc*

*Check-*



Code		Cutting Specs		Code		Cutting Specs			
		Ga.	# PCS	Size	Out	Ga.	# PCS	Size	Out
Cover Mat.	<i>20 1/2 X 31 1/2</i>	<i>14</i>	<i>1</i>			Lining Mat.	<i>20 1/2 X 31 1/2</i>	<i>14</i>	<i>1</i>
Cover Mat.	X					Lining Mat.	X		
Vert. Pckt.	X					Horz. Pckt.	X		
Vert. Pckt.	X					Horz. Pckt.	X		
Pocket	X					Pocket	X		
Label Holder	X					Card Holder	X		
Material	<i>C.O.C. 19 3/4 X 17</i>	<i>8</i>	<i>1</i>			Material	X		
Material	<i>FC+BB. X</i>					Material	X		
Material	X					Material	X		
F.C. Board	<i>19 7/16 X 14 3/16</i>	<i>100</i>	<i>1</i>			B.C. Board	X		
B.C. Board	<i>19 7/16 X 14 3/16</i>	<i>100</i>	<i>1</i>			B.B. Board	<i>19 7/16 X 1 1/32</i>	<i>100</i>	<i>1</i>
Center Board	X					Board	<i>BACk-UP 19 7/16 X 1 1/32</i>	<i>35</i>	<i>1</i>
Board	X					Strip	X		
Cover Pad	X					Strip	X		
						B.B. Pad	X		

Product Code Sample

Style Case VRB w/2-8 1/2-3-1 1/2 NB. U.S.

Sheet Size 2-9 1/4 x 13

Cap. 1 1/2

Die No. 4886

Order No. 970166

Plate K-4-8

Customer

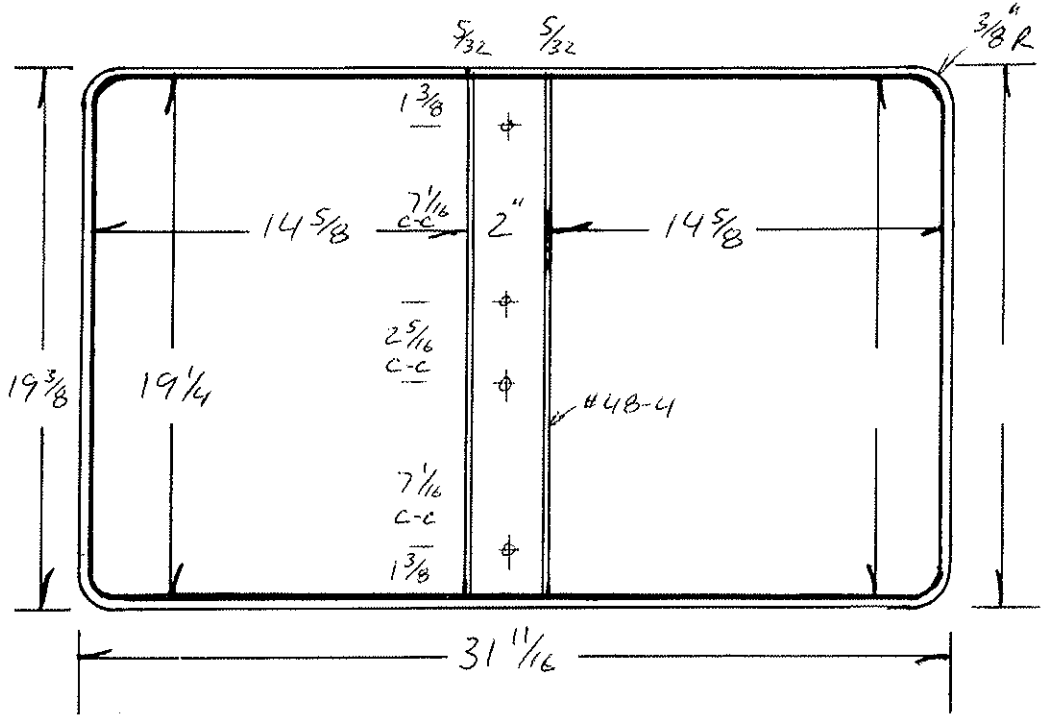
HERF JONES YEARBOOK

Metal
Total Vinyl
Quantity <u>1000</u>
Date <u>9-26-91</u>
Type Corners <u>RND.</u>
Radius <u>3/8</u>
Completed

Gauge	Thick
Tear Seal <u>-014</u>	<u>1/16</u>
Bar Seal <u>#48-4</u>	<u>5/32</u>
Bar Seal	

No. of Feet	
Tear Seal	
Bar Seal	
Bar Seal	

Dwg. Blacc  
CHECK (KAT)



Code	Ga.	# PCS	Cutting Specs		Code	Ga.	# Pcs.	Cutting Specs	
			Size	Out				Size	Out
Cover Mat.		<u>20 1/4 x 32 5/8</u>	<u>14</u>	<u>1</u>	Lining Mat.		<u>20 1/4 x 32 5/8</u>	<u>14</u>	<u>1</u>
Cover Mat		X			Lining Mat.		X		
Vert. Pckt.		X			Horz. Pckt.		X		
Vert. Pckt.		X			Horz. Pckt.		X		
Pocket		X			Pocket		X		
Label Holder		X			Card Holder		X		
Material		X			Material		X		
Material		X			Material		X		
Material		X			Material		X		
F.C. Board		<u>19 3/16 x 14 9/16</u>	<u>100</u>	<u>1</u>	B.C. Board		X		
B.C. Board		<u>19 3/16 x 14 9/16</u>	<u>100</u>	<u>1</u>	B.B. Board		<u>19 3/16 x 12 9/32</u>	<u>100</u>	<u>1</u>
Center Board		X			Board <u>BACK-UP</u>		<u>19 1/8 x 1 7/8</u>	<u>22</u>	<u>1</u>
Board		X			Strip		X		
Cover Pad		X			Strip		X		
					B.B. Pad		X		

Product Code

Style Case VRR

D Ring

Sheet Size

9" x 6 3/4"

Cap. 2-D

Die No. 5021

Order No. 971451

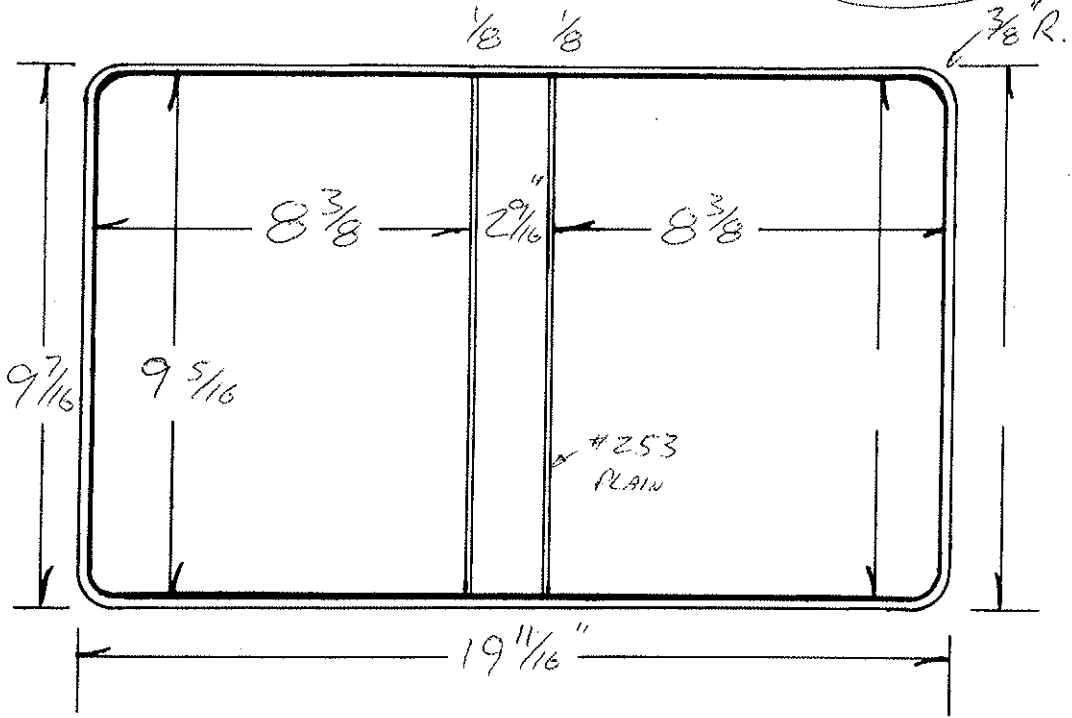
Plate D-6-2

Customer

FINANCIAL CONTROL ASSOC.

3-23

Metal	
Total Vinyl	
Quantity	500
Date	3-17-92
Type Corners	
Radius	3/8
Completed	



	Gauge	Thick
Tear Seal	.014	1/16
Bar Seal	#253	1/8
Bar Seal		

	No. of Feet
Tear Seal	
Bar Seal	
Bar Seal	

DWG. B. Pace

CHECK. *[Signature]*

PER SAMPLE

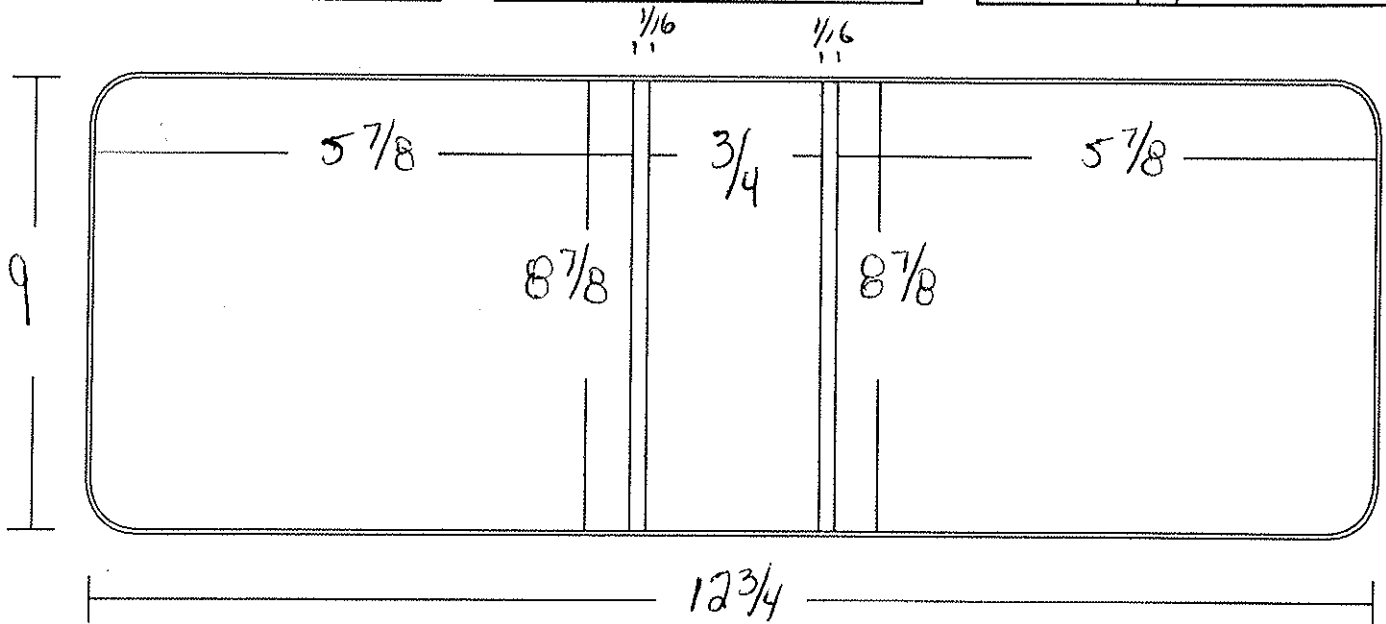
Code		Cutting Specs		Code		Cutting Specs			
		Ga.	# PCS	Size	Out	Ga.	# Pcs.	Size	Out
Cover Mat.	10 1/4 X 20 1/2	14	1			Lining Mat.	10 1/4 X 20 1/2	14	1
Cover Mat.	X					Lining Mat.	X		
Vert. Pckt.	X					Horz. Pckt.	3 7/8 X 20 1/2	14	1
Vert. Pckt.	X					Horz. Pckt.	X		
Pocket	X					Pocket	X		
Label Holder	X					Card Hlder	X		
Material	X					Material	X		
Material	X					Material	X		
Material	X					Material	X		
F.C. Board	9 7/32 X 8 9/32	120	1			B.C. Board	X		
B.C. Board	9 7/32 X 8 9/32	120	1			B.B. Board	9 7/32 X 2 15/32	120	1
Center Board	X					Board	X		
Board	X					Strip	X		
Cover Pad	X					Strip	X		
						B.B. Pad	X		

DIE # 5266	STYLE CASE Cover Binder	LOCATION D16-1
SHEET SIZE 9 x 6 +	CAP. 3/4	ORDER NO. 974298
CUSTOMER Computer Publications		DUE DATE 1-29-93

QUANTITY	500
DATE	1-22-93

RADIUS	3/8
COMPLETED	

TEAR SEAL	012
BAR SEAL	102



Tim

### MATERIAL

	CODE		GA	PCS		CODE		GA	PCS
COVER MATL		9 3/4 X 13 1/2		1	LINING		9 3/4 X 13 1/2		1
COVER MATL		X			LINING		X		
VERT PKT		9 3/4 X 5 15/16		1	HORZ PKT		X		
VERT PKT		X			HORZ PKT		X		
CARD HOLDER		X			DIAGONAL PKT		6 7/16 X 9 1/2		
COL		X			LABEL HOLDER		(cutias X drawing)		1/2
EX. COL		X			GUSSETT		makes 2 pcs		
		X			REINF.		X		
		X					X		

### PRINTS

FRONT COVER	X	BACK BONE	X	BACK COVER	X
-------------	---	-----------	---	------------	---

### BOARDS

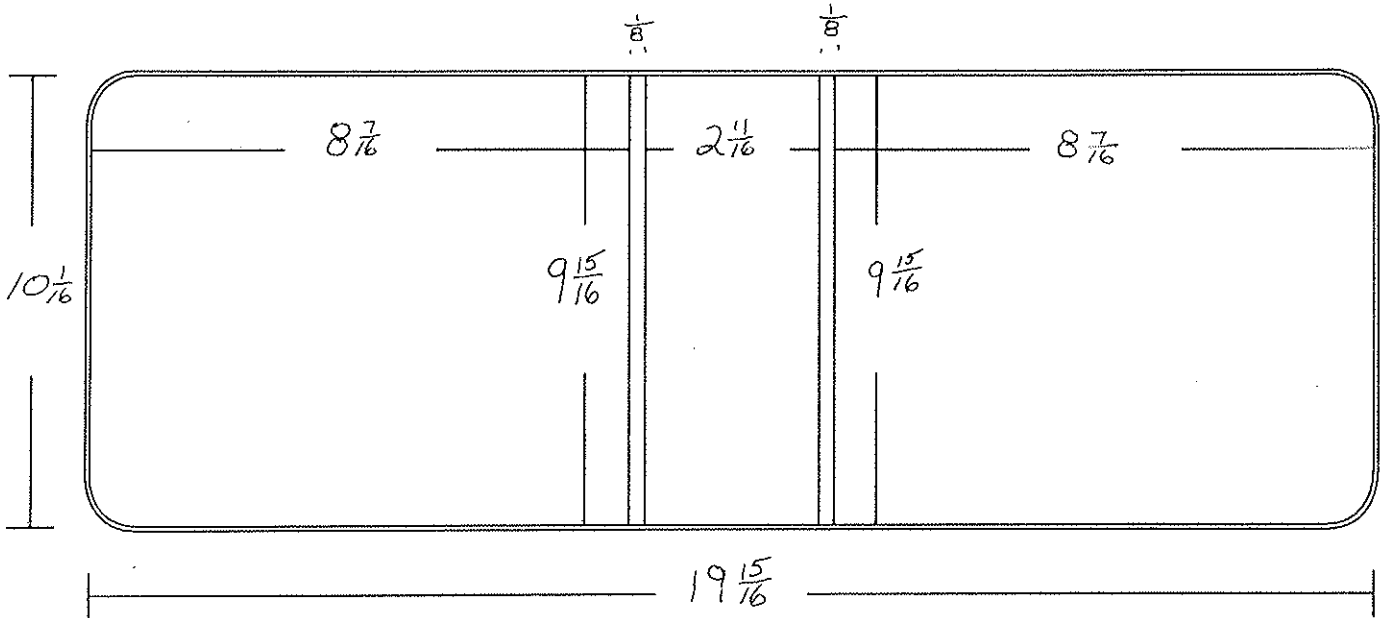
	CODE		PT	PCS		CODE		PT	PCS
F.C. BOARD		8 13/16 X 5 13/16	100	1	F.C. BOARD		8 25/32 X 5 25/32	120	1
B.B. BOARD		8 13/16 X 2 1/32	100	1	B.B. BOARD		8 25/32 X 2 1/32	120	1
B.C. BOARD		8 13/16 X 5 13/16	100	1	B.C. BOARD		8 25/32 X 5 25/32	120	1
B. UP STRIP		X					X		
		X					X		

DIE #	5315	STYLE CASE	VRB	LOCATION	D18-9
SHEET SIZE	9 $\frac{1}{2}$ X 6 + $\frac{1}{2}$	CAP.	2	ORDER NO.	974907
CUSTOMER	Florida Bar Association			DUE DATE	

QUANTITY	500
DATE	4-22-93

RADIUS	3/8
COMPLETED	

TEAR SEAL	.012
BAR SEAL	253



*Tim*

**MATERIAL**

	CODE		GA	PCS		CODE		GA	PCS
COVER MATL		10 $\frac{13}{16}$ X 20 $\frac{11}{16}$		1	LINING		10 $\frac{13}{16}$ X 20 $\frac{11}{16}$		1
COVER MATL		X			LINING		X		
VERT PKT		X			HORZ PKT		X		
VERT PKT		X			HORZ PKT		X		
CARD HOLDER		X			DIAGONAL PKT		X		
COL		X			LABEL HOLDER		X		
EX. COL		X			GUSSETT		X		
		X			REINF.		X		
		X					X		

**PRINTS**

FRONT COVER	X	BACK BONE	X	BACK COVER	X
-------------	---	-----------	---	------------	---

**BOARDS**

	CODE		PT	PCS		CODE		PT	PCS
F.C. BOARD		9 $\frac{7}{8}$ X 8 $\frac{3}{8}$	100	1	F.C. BOARD		9 $\frac{27}{32}$ X 8 $\frac{11}{32}$	120	
B.B. BOARD		9 $\frac{7}{8}$ X 2 $\frac{19}{32}$	100	1	B.B. BOARD		9 $\frac{27}{32}$ X 2 $\frac{19}{32}$	120	
B.C. BOARD		9 $\frac{7}{8}$ X 8 $\frac{3}{8}$	100	1	B.C. BOARD		9 $\frac{27}{32}$ X 8 $\frac{11}{32}$	120	
B. UP STRIP		X					X		
<i>Padded Die cut BB</i>		10 $\frac{27}{32}$ X 6 $\frac{11}{16}$		2			X		

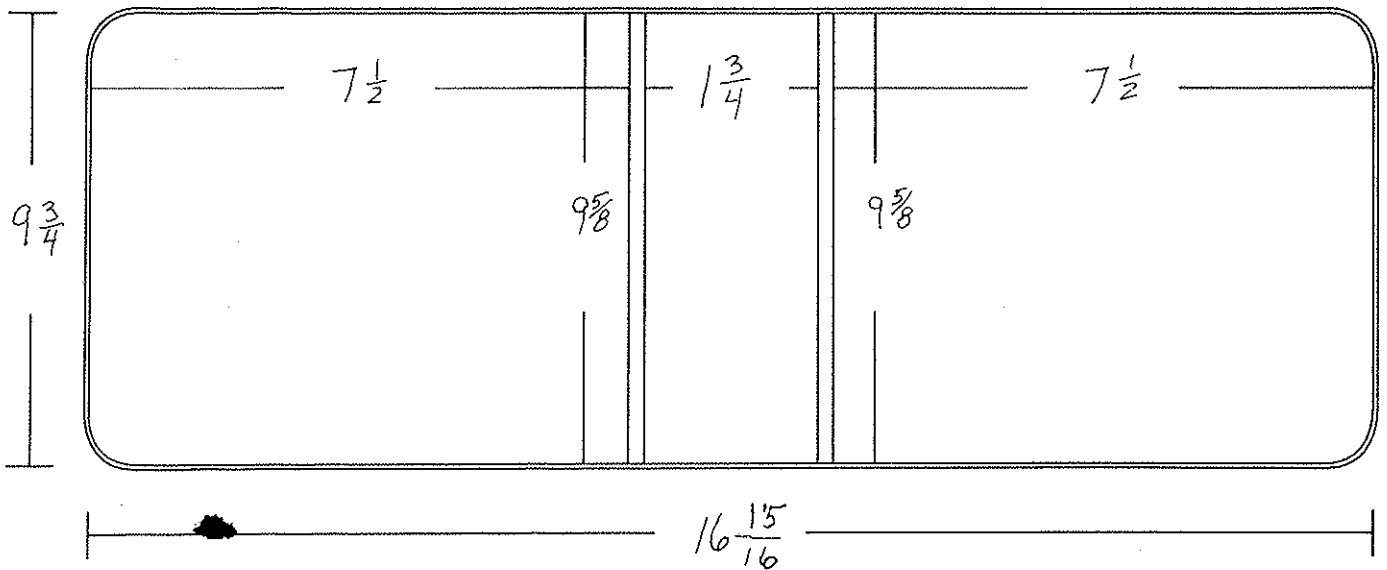


DIE #	5353	STYLE CASE	VRB	LOCATION	E2-1
SHEET SIZE	9 X 6	CAP.	1/4	ORDER NO.	975323
CUSTOMER	Janus Marketing			DUE DATE	

QUANTITY	1700
DATE	6-10-93

RADIUS	3/8
COMPLETED	

TEAR SEAL	.016
BAR SEAL	484



**MATERIAL**

	CODE		GA	PCS		CODE		GA	PCS
COVER MATL		10 1/2 X 17 15/16		1	LINING		10 1/2 X 17 11/16		1
COVER MATL		X			LINING		X		
VERT PKT		X			HORZ PKT		X		
VERT PKT		X			HORZ PKT		4 7/8 X 17 11/16		1
CARD HOLDER		X			DIAGONAL PKT		X		
COL		X			LABEL HOLDER		X		
EX. COL		X			GUSSETT		X		
		X			REINF.		X		
		X					X		

**PRINTS**

FRONT COVER	X	BACK BONE	X	BACK COVER	X
-------------	---	-----------	---	------------	---

**BOARDS**

	CODE		PT	PCS		CODE		PT	PCS
F.C. BOARD		9 9/16 X 7 7/16	100	1	F.C. BOARD		9 17/32 X 7 13/32	120	1
B.B. BOARD		9 9/16 X 1 21/32	100	1	B.B. BOARD		9 17/32 X 1 21/32	120	1
B.C. BOARD		9 9/16 X 7 7/16	100	1	B.C. BOARD		9 17/32 X 7 13/32	120	1
B. UP STRIP		X					X		
		X					X		

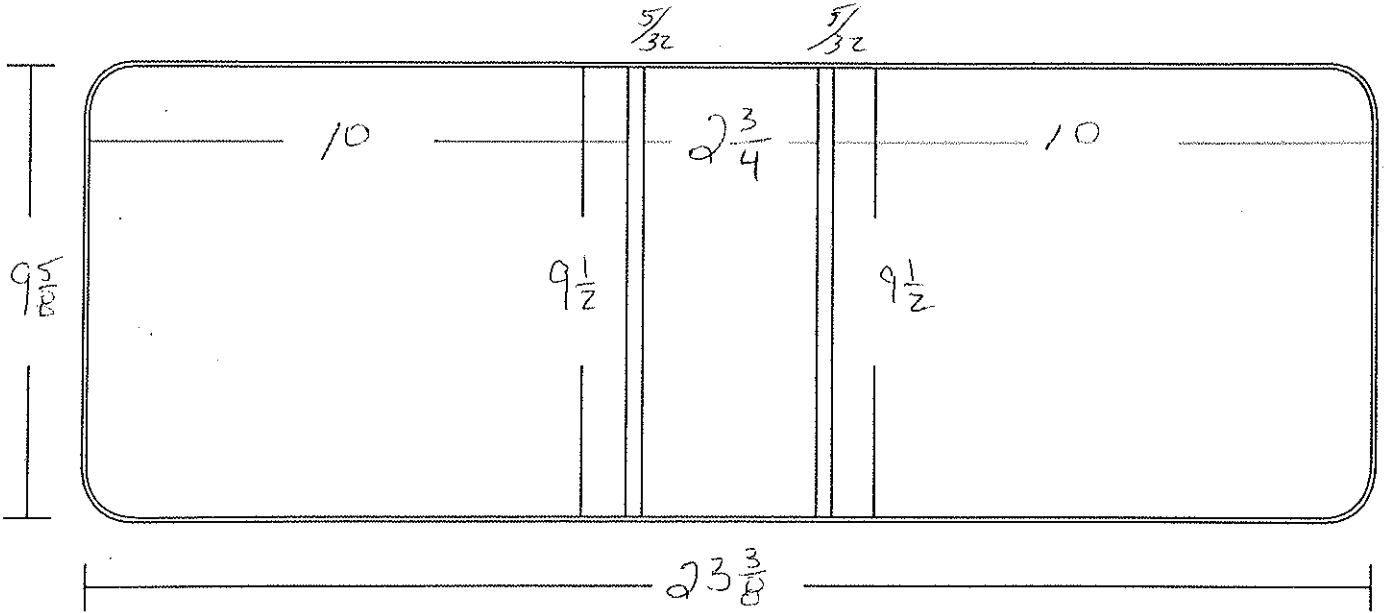
St. D. - No. B. - Kolomoiv Handler

DIE #	5368	STYLE CASE	VRB	LOCATION	E3-9
SHEET SIZE	9 X 7 1/2 + 1/2	CAP.	2" D	ORDER NO.	
CUSTOMER	ZBR	DUE DATE			

QUANTITY	
DATE	

RADIUS	3/8"
COMPLETED	

TEAR SEAL	
BAR SEAL	



**MATERIAL**

	CODE		GA	PCS		CODE		GA	PCS
COVER MATL		10 3/8 X 24 1/8		1	LINING		10 3/8 X 24 1/8		1
COVER MATL		X			LINING		X		
VERT PKT		X			HORZ PKT		X		
VERT PKT		X			HORZ PKT		5 3/8 X 24 1/8		1
CARD HOLDER		X			DIAGONAL PKT		X		
COL		9 3/4 X 24 1/8			LABEL HOLDER		X		
EX. COL		X			GUSSETT		X		
		X			REINF.		X		
		X					X		

**PRINTS**

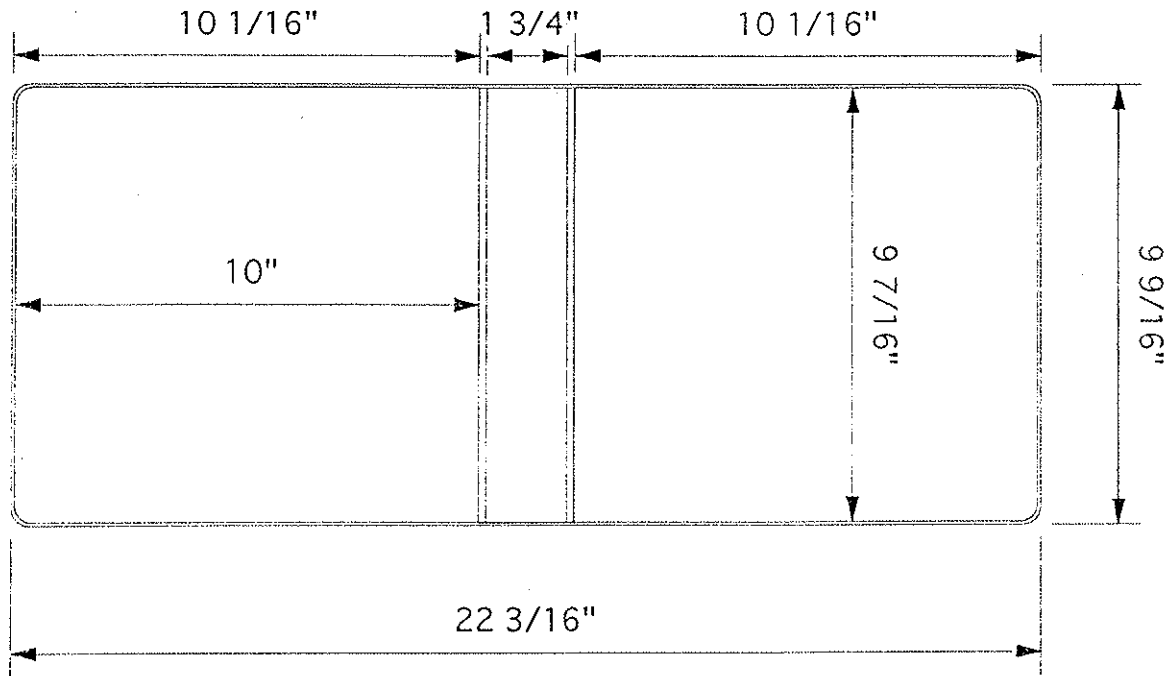
FRONT COVER	9 1/4 X 9 3/4	BACK BONE	9 1/4 X 2 1/2	BACK COVER	9 1/4 X 9 3/4
-------------	---------------	-----------	---------------	------------	---------------

**BOARDS**

	CODE		PT	PCS		CODE		PT	PCS
F.C. BOARD		9 7/16 X 9 5/16	100	1	F.C. BOARD		9 13/32 X 9 29/32	120	1
B.B. BOARD		9 7/16 X 2 2 1/32	100	1	B.B. BOARD		9 13/32 X 2 2 1/32	120	1
B.C. BOARD		9 7/16 X 9 5/16	100	1	B.C. BOARD		9 13/32 X 9 29/32	120	1
B. UP STRIP		X					X		
		X					X		



DIE # 5486		STYLE CASE VRB ANGLE D NO BOOSTER		LOCATION	
SHEET SIZE 9 X 8		CAP. 1 1/2		ORDER # 976936	
CUSTOMER GRAFACON/TEC DOC				DUE DATE	
QUANTITY	300	RADIUS	3/8	TEAR SEAL	.014
DATE	12-16-93	COMPLETED		BAR SEAL	484



MATERIAL SPECS

GA PCS

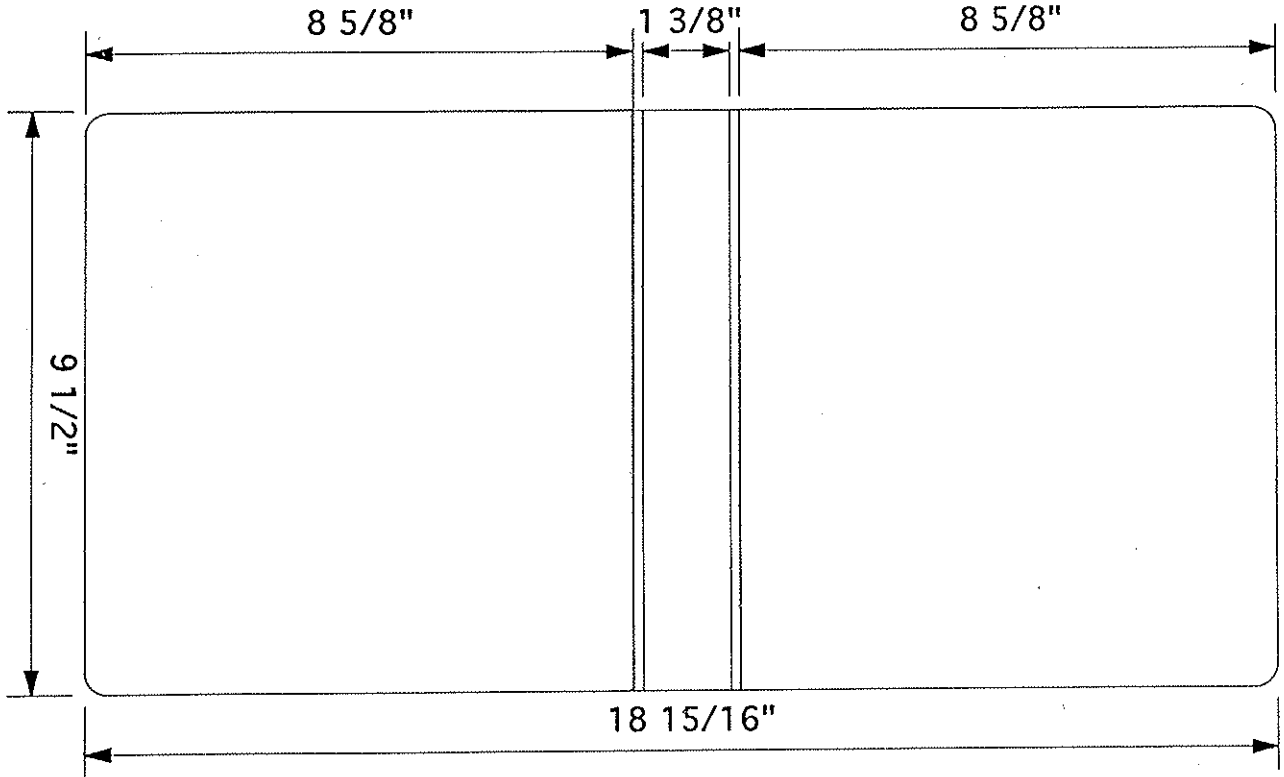
GA PCS

COVER MATL	10 5/16 X 22 15/16	1	LINING	10 5/16 X 22 15/16	1
COVER MATL			LINING		
VERT PKT			HORZ PKT		
VERT PKT			HORZPKT		
CARD HOLDER			DIAGONAL PKT		
COL (Trim Cover)	9 11/16 X 12 1/2	1	LABEL HOLDER		
EX COL			GUSSETT		
			REINF		

BOARD SPECS

F.C. BOARD	9 3/8 X 9 15/16	100	1	F.C. BOARD		
B.B. BOARD	9 3/8 X 1 21/32	100	1	B.B. BOARD		
B.C. BOARD	9 3/8 X 9 15/16	100	1	B.C. BOARD		
BU STRIP						

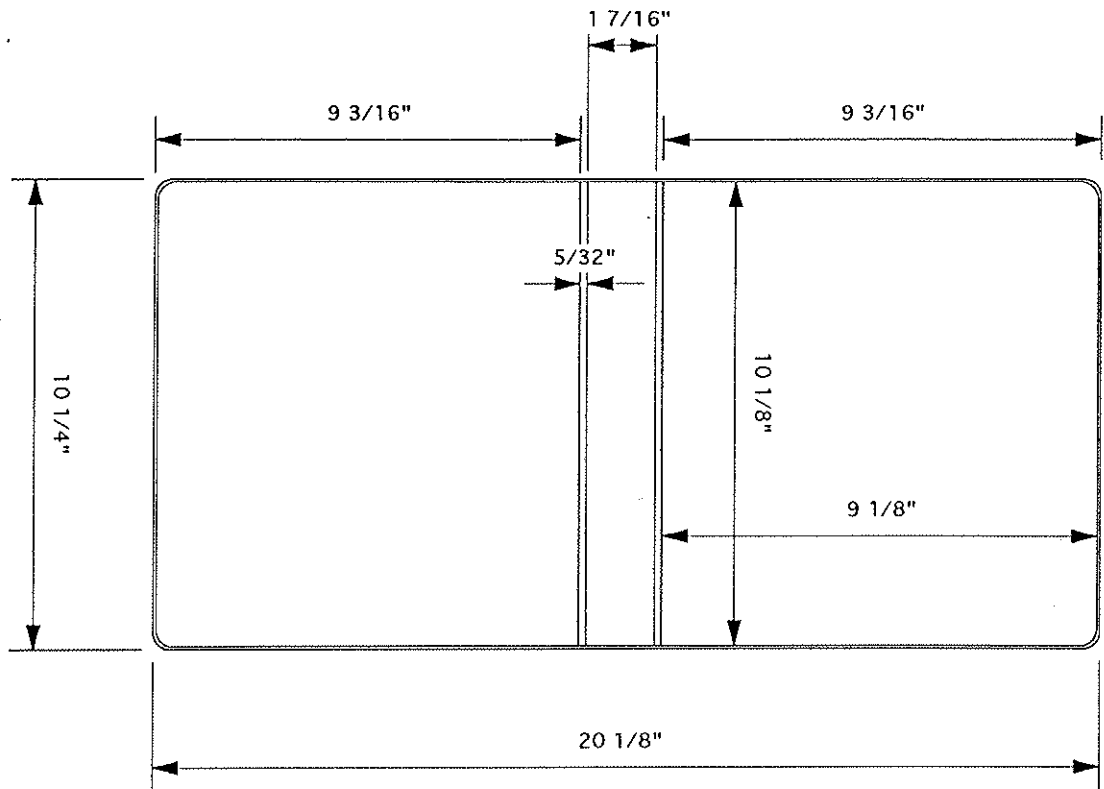
DIE # 5566		STYLE CASE VINYL D RING NO BOOSTER		LOCATION E 9-3	
SHEET SIZE 9 X 7		CAP. 1		ORDER # 978014	
CUSTOMER MYSTIC GRAPHICS SYSTEMS				DUE DATE	
QUANTITY	200	RADIUS	3/8	TEAR SEAL	NAT EDGE
DATE		COMPLETED		BAR SEAL	484



MATERIAL SPECS		GA	PCS	GA		PCS
COVER MATL	10 1/4 X 19 11/16	1	LINING	10 1/4 X 19 11/16	1	
COVER MATL			LINING			
VERT PKT			HORZ PKT			
VERT PKT			HORZPKT			
CARD HOLDER			DIAGONAL PKT			
COL			LABEL HOLDER			
EX COL			GUSSETT			
			REINF			

BOARD SPECS					
F.C. BOARD	9 3/8 X 8 9/16	100	1	F.C. BOARD	
B.B. BOARD	9 3/8 X 1 9/32	100	1	B.B. BOARD	
B.C. BOARD	9 3/8 X 8 9/16	100	1	B.C. BOARD	
BU STRIP					

DIE #	5637	STYLE CASE	VINYL RING BINDER	LOCATION	E 12 -
SHEET SIZE	9 X 7 1/2	CAP.	1"	ORDER #	979118
CUSTOMER	MYSTIC GRAPHICS SYSTEMS			DUE DATE	8-25-94
QUANTITY	3000	RADIUS	3/8	TEAR SEAL	.014
DATE	8-16-95	COMPLETED		BAR SEAL	48-4

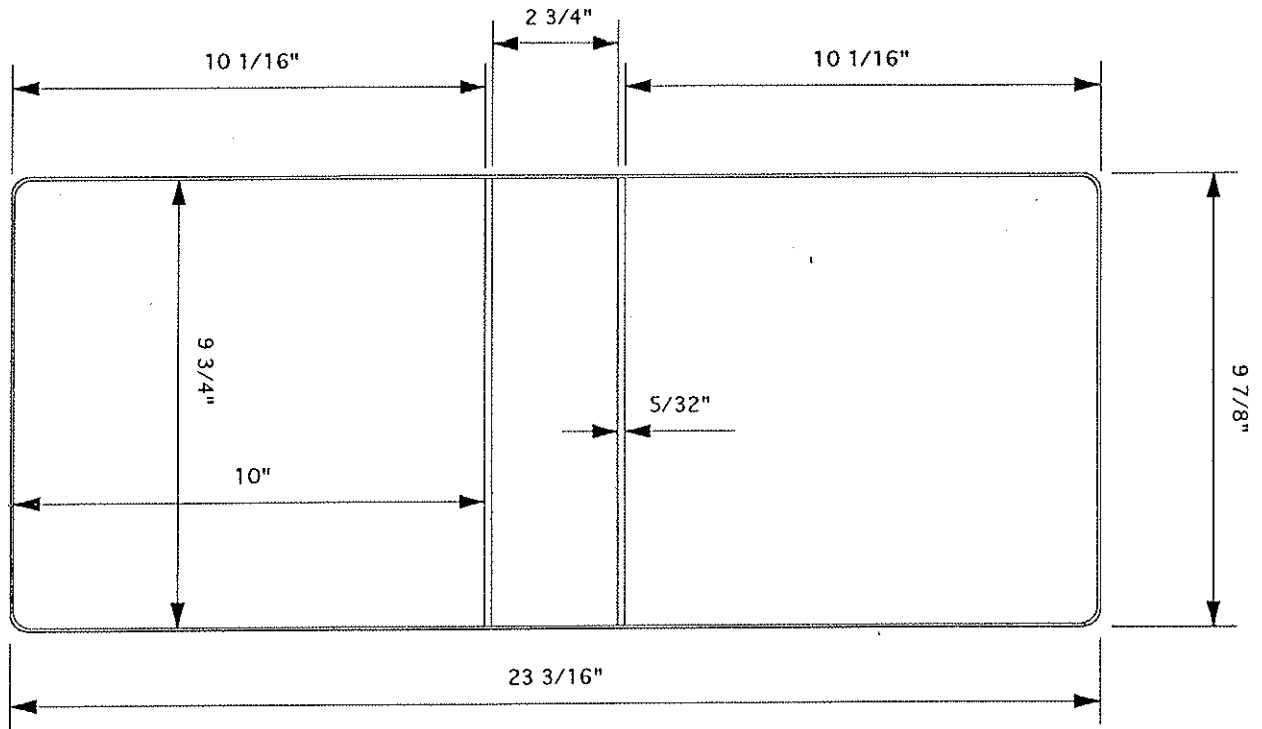


MATERIAL SPECS		GA	PCS	GA	
COVER MATL	11 X 20 7/8	1	LINING	11 X 20 7/8	
COVER MATL			LINING		
VERT PKT			HORZ PKT <i>1-sided</i>	5 3/8 x 9 3/4	
VERT PKT			HORZPKT		
CARD HOLDER			DIAGONAL PKT		
COL			LABEL HOLDER		
EX COL			GUSSETT		
			REINF		

BOARD SPECS					
F.C. BOARD	10 1/16 X 9 1/16	1	F.C. BOARD		
B.B. BOARD	10 1/16 X 1 11/32	1	B.B. BOARD		
B.C. BOARD	10 1/16 X 9 1/16	1	B.C. BOARD		
BU STRIP					

*Same as Fiab Die # 5556*

DIE # 5655		STYLE CASE VRB		LOCATION E 13 9	
SHEET SIZE 9 X 8		CAP. 2"		ORDER # 979303	
CUSTOMER ZBR PUBLISHING				DUE DATE 9-28-94	
QUANTITY	5000	RADIUS	3/8	TEAR SEAL	.014
DATE	9-6-94	COMPLETED		BAR SEAL	48-4



MATERIAL SPECS

GA PCS

GA P

COVER MATL	10 1/2 X 23 15/16	1	LINING	10 1/2 X 23 15/16	
COVER MATL			LINING		
VERT PKT			HORZ PKT	5 3/8 X 23 15/16	
VERT PKT			HORZPKT		
CARD HOLDER			DIAGONAL PKT		
COL			LABEL HOLDER		
EX COL					

*10 x 3/18  
Get Comes Die.*

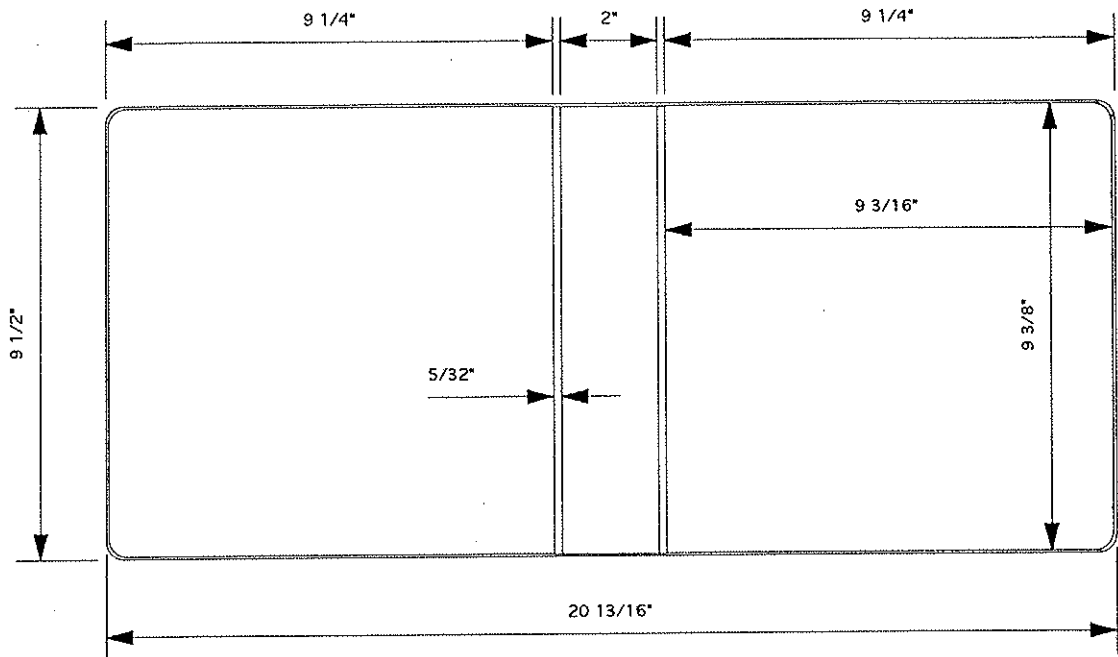
BOARD SPECS

F.C. BOARD	9 21/32 X 9 29/32	1	F.C. BOARD		
B.B. BOARD	9 21/32 X 2 21/32	1	B.B. BOARD		
B.C. BOARD	9 21/32 X 9 29/32	1	B.C. BOARD		
BU STRIP					





DIE #	5706	CAP.	1 1/2	METAL	RR MASHED ENDS NB	8 1/2.
STYLE CASE	VRB W/COL				LOCATION	E-16-8
SHEET SIZE	9 X 7 1/2		1 1/2 Cap	ORDER #	979757	
CUSTOMER	BRADSTREET SOFTWARE				DUE DATE	11-08094
QUANTITY	500	RADIUS		3/8	TEAR SEAL	.016
DATE	11-04-94	COMPLETED			BAR SEAL	48-4



MATERIAL SPECS		GA	PCS	GA		PCS
COVER MAT.	10 1/4 X 21 9/16		1	LINING MAT	10 1/4 X 21 9/16	
COVER MAT.				LINING MAT		
VERT PKT				HORZ PKT	5 3/8 X 9 13/16	
CARD HOLDER				GUSSET		
COL	9 11/16 X 21 9/16		1	DIAGONAL PKT		
LABEL HOLDER				REINF		
BOARD SPECS		GA	PCS	GA		PCS
F.C. BOARD	9 5/16 X 9 1/8	100	1	F.C. BOARD		
B.B. BOARD	9 5/16 X 1 29/32	100	1	B.B. BOARD		
B.C. BOARD	9 5/16 X 9 1/8	100	1	B.C. BOARD		
B.U. STRIP	9 9/32 X 1 27/32	48	1			