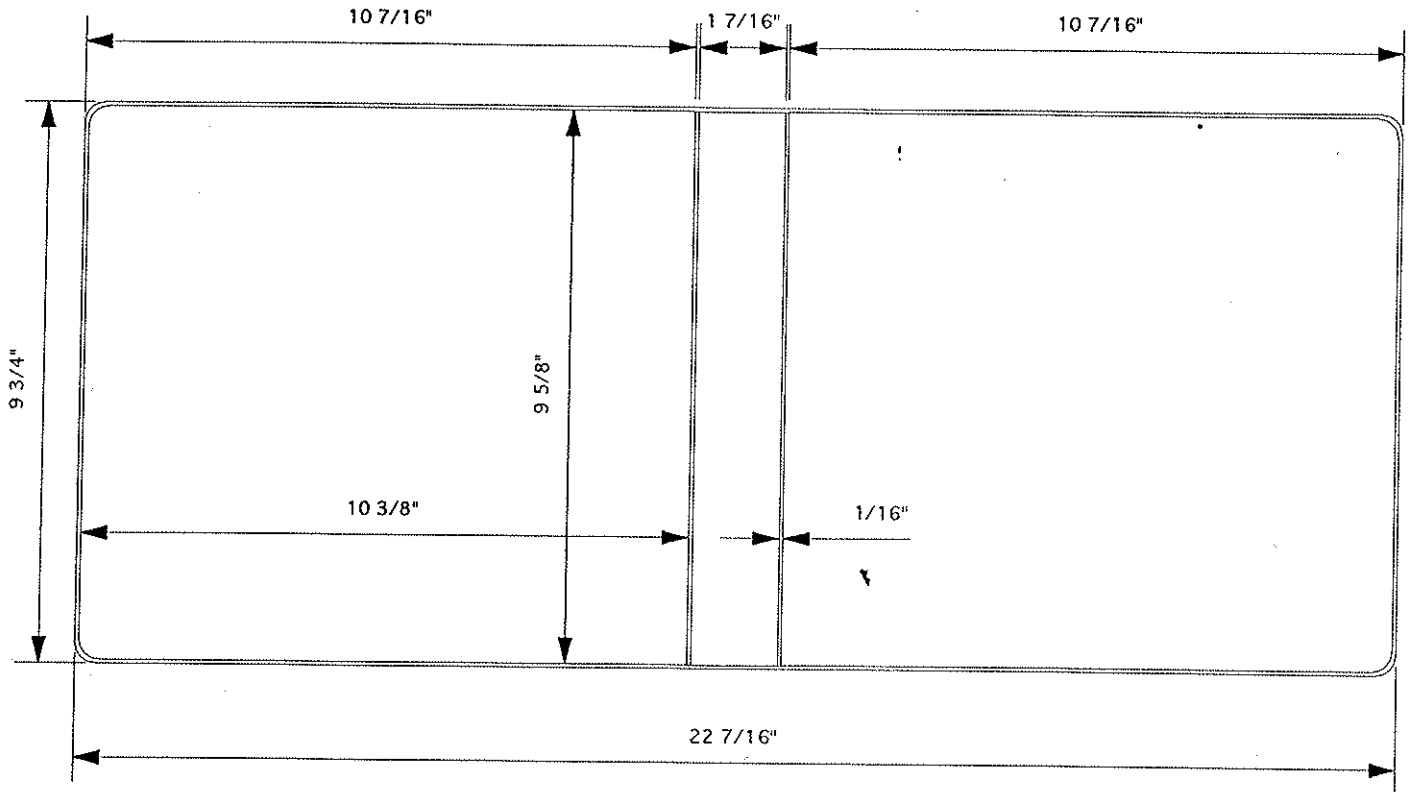
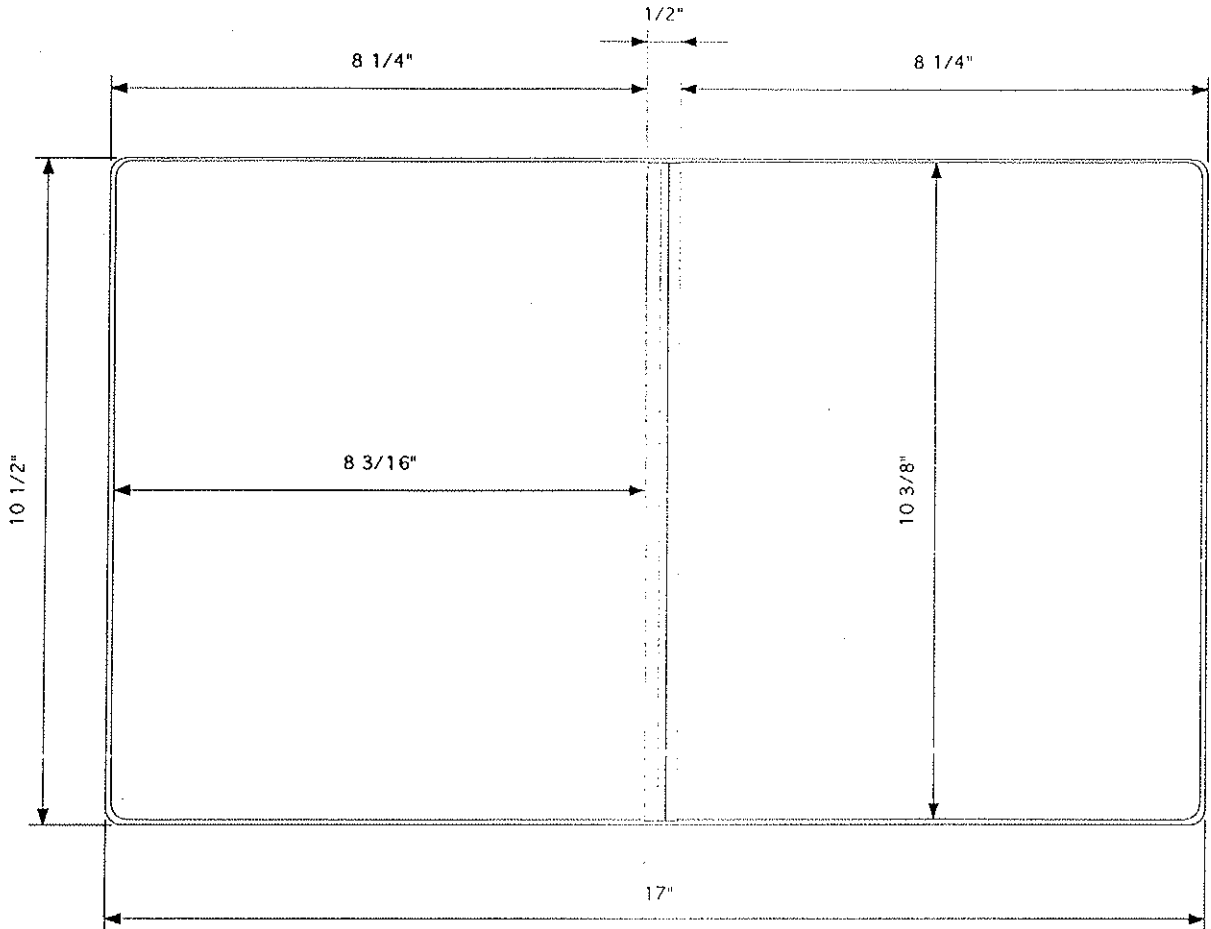


DIE #	5743	CAP.	1	METAL	1" STR D.	NB
STYLE CASE	VINYL RING BINDER				LOCATION	E-18-4
SHEET SIZE	9 X 8			ORDER #	980313	
CUSTOMER	DISKCOPY			DUE DATE	2-1-95	
QUANTITY	1000	RADIUS	3/8		TEAR SEAL	.014
DATE	2-13-85	COMPLETED		BAR SEAL	102	



MATERIAL SPECS		GA	PCS			GA	PCS
COVER MAT.	10 1/2 X 23 3/16	1		LINING MAT	10 1/2 X 23 3/16	1	
COVER MAT.				LINING MAT			
VERT PKT				HORZ PKT	4 3/8 X 10 7/8	1	
CARD HOLDER				GUSSET			
COL	9 15/16 X 12 1/2	1		DIAGONAL PKT			
LABEL HOLDER				REINF			
BOARD SPECS		GA	PCS			GA	PCS
F.C. BOARD	9 9/16 X 10 5/16	100	1	F.C. BOARD			
B.B. BOARD	9 9/16 X 1 11/32	100	1	B.B. BOARD			
B.C. BOARD	9 9/16 X 10 5/16	100	1	B.C. BOARD			
B.U. STRIP							

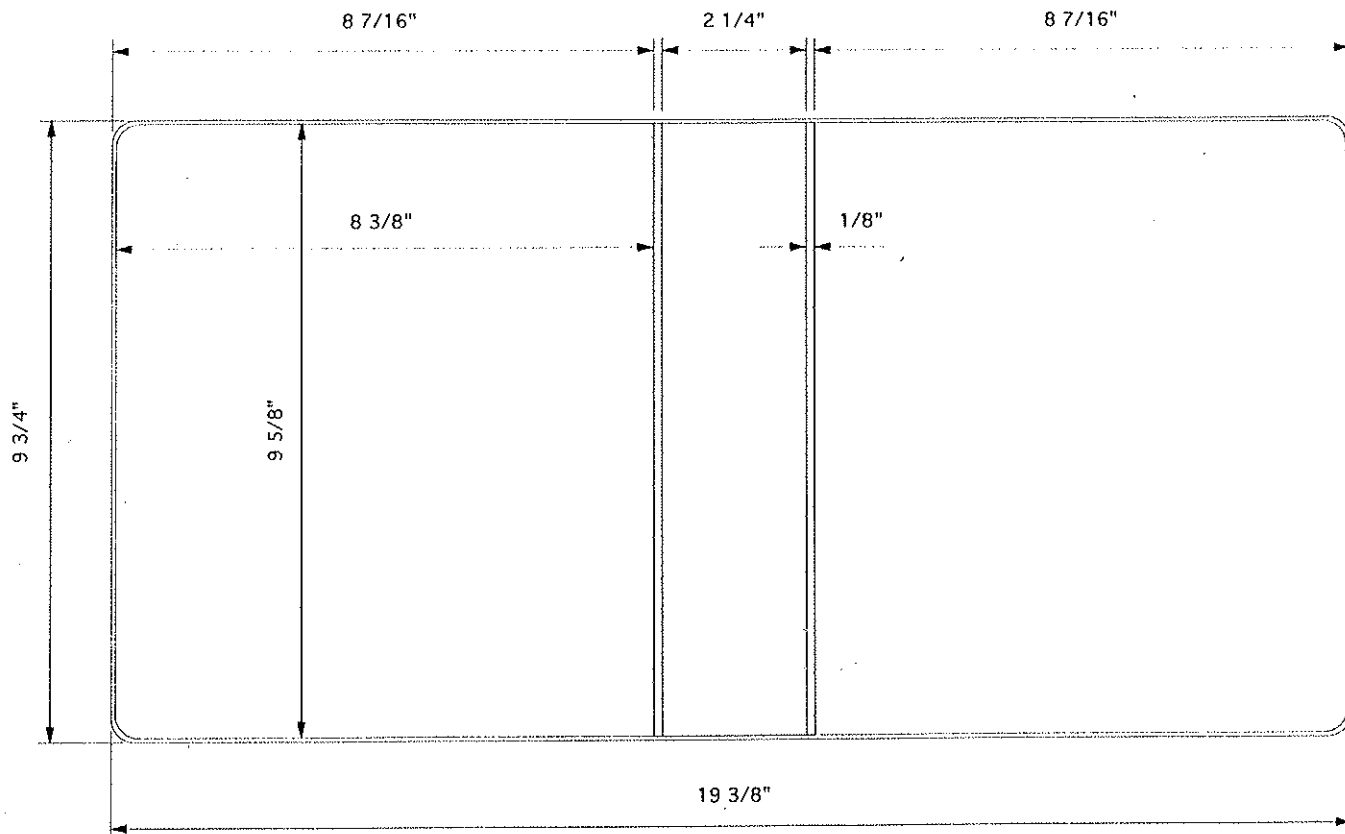
DIE #	6003	METAL	NONE	RADIUS	1/4"
ORDER #	983852	CUSTOMER	OLAN MILLS	TEAR SEAL	.014
SHEET SIZE	10 X 8	STYLE CASE	VINYL BOOK COVER	BAR SEAL	178-253
CAP.	1/2"	DUE DATE	2-20-96	COMPLETED	8-8-96
LOCATION	F-2-7	QUANTITY	2	DATE	2-15-96



MATERIAL SPECS		GAUGE		PCS.		MATERIAL SPECS		GAUGE	
COVER MAT.	11 1/4 X 17 3/4			1		LINING MAT.	11 1/4 X 17 3/4		
COVER MAT.						LINING MAT.			
DIE CUT						HORZ. PKT.	5 3/8 X 8 3/4		
COL						VERT. PKT.	11 1/4 X 7 5/8		
LABEL HOLDER						DIE CUT			
GUSSET						REINF.			

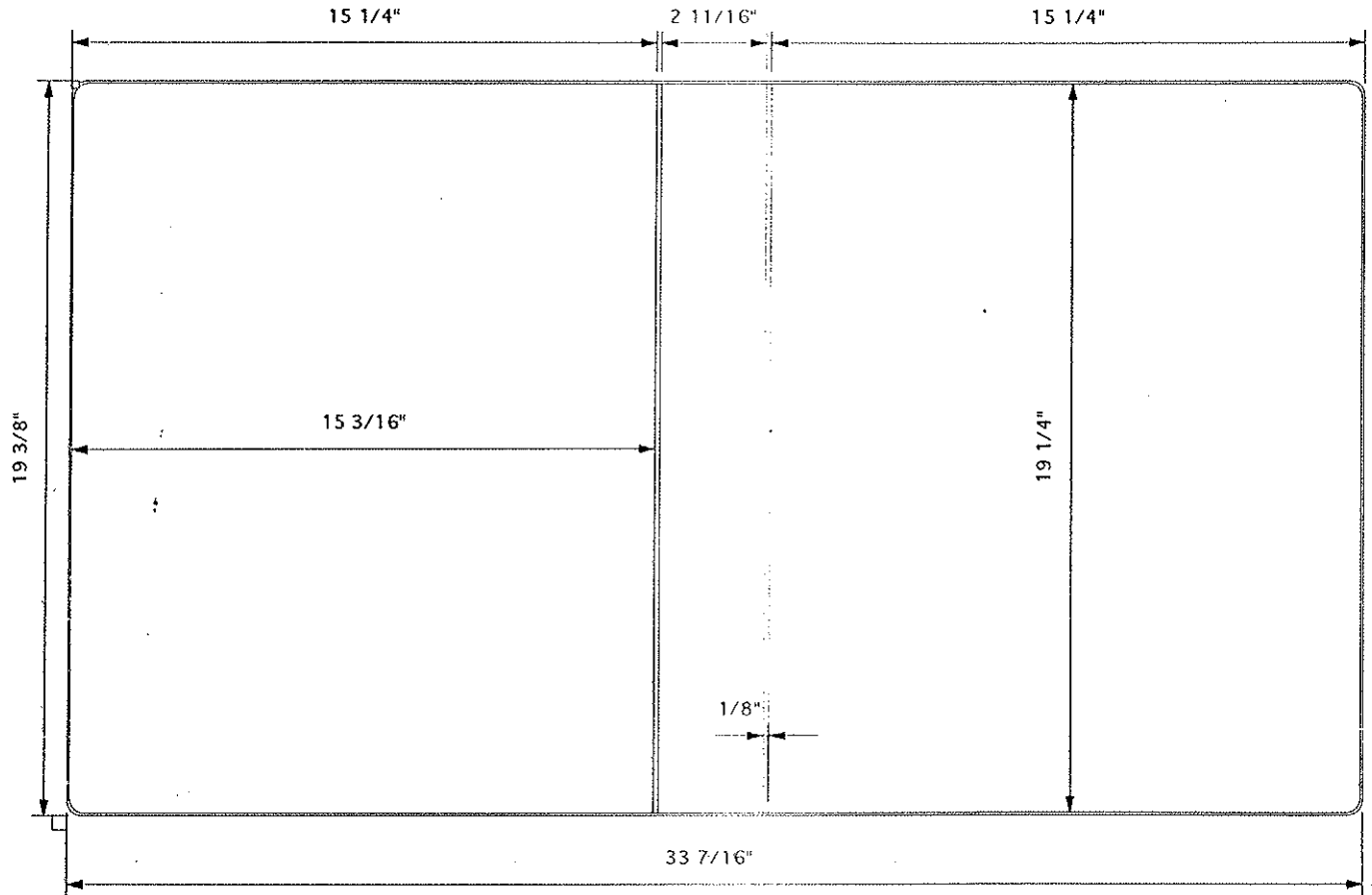
BOARD SPECS		GAUGE		PCS.		BOARD SPECS		GAUGE	
F.C. BOARD	10 5/16 X 8 1/8	20		1		F.C. BOARD			
B.B. BOARD						B.B. BOARD			
B.C. BOARD	10 5/16 X 8 1/8	20		1		B.C. BOARD			
B.U. STRIP						DIE CUT			
DIE CUT						DIE CUT			

DIE #	6119	METAL	NB STR D	RADIUS	3/8"
ORDER #	985472	CUSTOMER	A & W OFFICE SUPPLY	TEAR SEAL	.014
SHEET SIZE	9 1/4 X 7	STYLE CASE	VRB	BAR SEAL	253
CAP.	1 1/2"	DUE DATE	10-14-96	COMPLETED	
LOCATION	G-4-2	QUANTITY	250	DATE	9-28-96



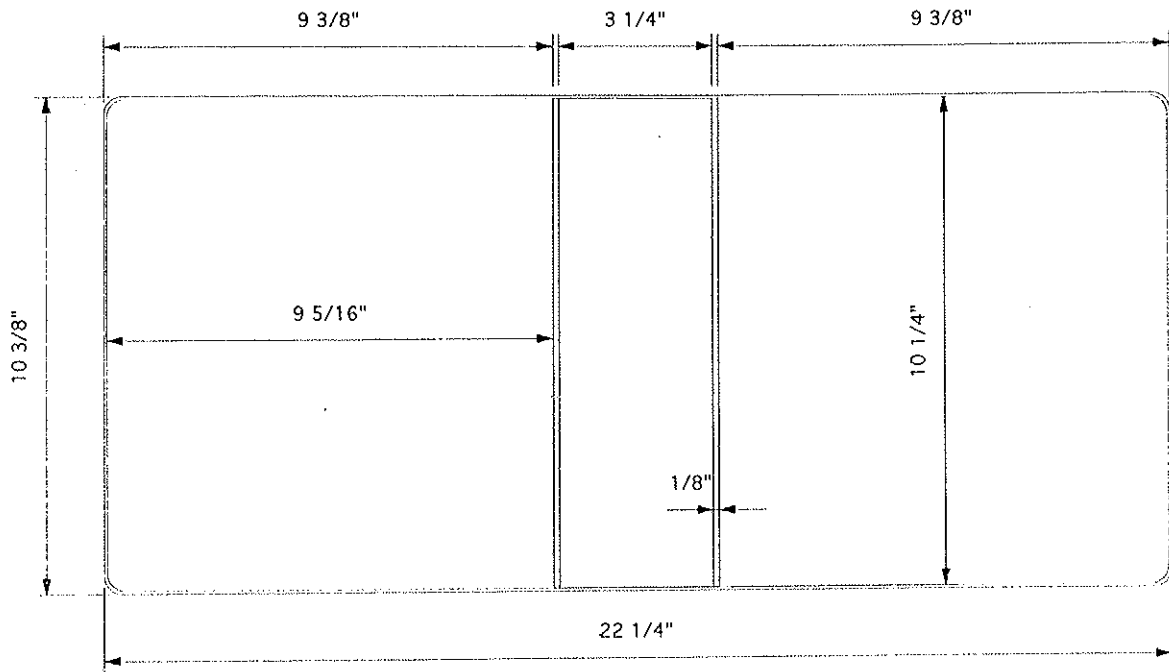
MATERIAL SPECS		GAUGE		MATERIAL SPECS		GAUGE	
COVER MAT.	10 1/2 X 20 1/8		1	LINING MAT.	10 1/2 X 20 1/8		1
PICTORIAL	10 1/2 X 20 1/8		1	LINING MAT.			
DIE CUT				HORZ. PKT.			
COL				VERT. PKT.			
LABEL HOLDER				DIE CUT			
GUSSET				REINF.			
BOARD SPECS		GAUGE		BOARD SPECS		GAUGE	
F.C. BOARD	9 17/32 X 8 9/32	120	1	F.C. BOARD			
B.B. BOARD	9 17/32 X 2 5/32	120	1	B.B. BOARD			
B.C. BOARD	9 17/32 X 8 9/32	120	1	B.C. BOARD			
FLAP BD.				DIE CUT			
BOARD				DIE CUT			

DIE #	6157	METAL	2 - HD NB ROUND	RADIUS	3/8"
ORDER #	985935	CUSTOMER	HERFF JONES	TEAR SEAL	.014
SHEET SIZE	9 1/4 X 13	STYLE CASE	VRB W/2 METALS	BAR SEAL	253
CAP.	2"	DUE DATE	12-6-96	COMPLETED	
LOCATION	L-4-8	QUANTITY	400	DATE	11-19-9



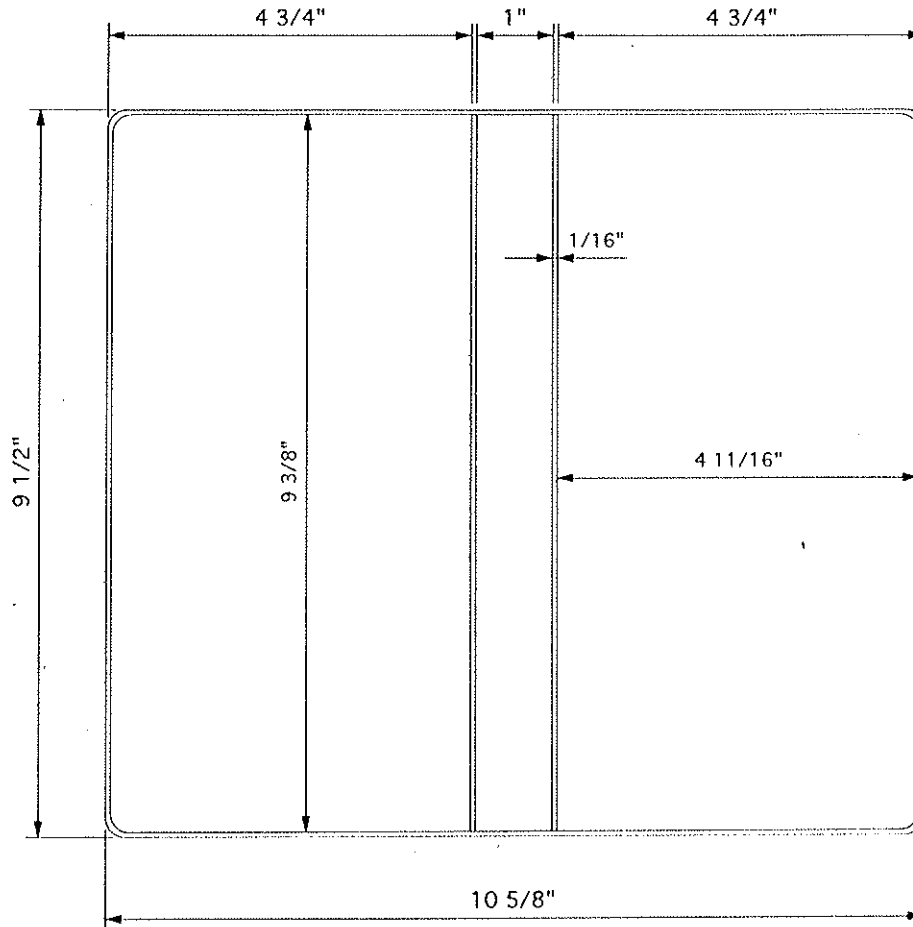
MATERIAL SPECS		GAUGE		MATERIAL SPECS		GAUGE	
COVER MAT.	20 1/8 X 34 1/4		1	LINING MAT.	20 1/8 X 34 1/4		
COVER MAT.				LINING MAT.			
DIE CUT				HORZ. PKT.			
COL	19 9/16 X 18 13/16		1	VERT. PKT.			
LABEL HOLDER				DIE CUT			
GUSSET				REINF.			
BOARD SPECS		GAUGE		BOARD SPECS		GAUGE	
F.C. BOARD	19 5/32 X 15 3/32	120	1	F.C. BOARD			
B.B. BOARD	19 5/32 X 2 19/32	120	1	B.B. BOARD			
B.C. BOARD	19 5/32 X 15 3/32	120	1	B.C. BOARD			
FLAP BD.				DIE CUT			
BOARD				DIE CUT			

DIE #	6195	METAL	ANGLE D	RADIUS	3/8"
ORDER #	986362	CUSTOMER	LEWIS COMPUTERS	TEAR SEAL	.014
SHEET SIZE	9 1/2 X 6 1/2	STYLE CASE	VINYL RING BINDER	BAR SEAL	253
CAP.	2 1/2"	DUE DATE	2-11-97	COMPLETED	
LOCATION	H-7-3	QUANTITY	1000	DATE	2-5-97



MATERIAL SPECS		GAUGE		PCS.		MATERIAL SPECS		GAUGE	
COVER MAT.	11 1/8 X 23			1	LINING MAT.	11 1/8 X 23			
COVER MAT.					LINING MAT.				
DIE CUT					HORZ. PKT.				
COL	10 1/2 X 23			1	VERT. PKT.				
LABEL HOLDER					DIE CUT				
GUSSET					REINF.				
BOARD SPECS		GAUGE		PCS.		BOARD SPECS		GAUGE	
F.C. BOARD	10 5/32 X 9 7/32	120	1	1	F.C. BOARD				
B.B. BOARD	10 5/32 X 3 5/32	120	1	1	B.B. BOARD				
B.C. BOARD	10 5/32 X 9 7/32	120	1	1	B.C. BOARD				
FLAP BD.					DIE CUT				
BOARD					DIE CUT				

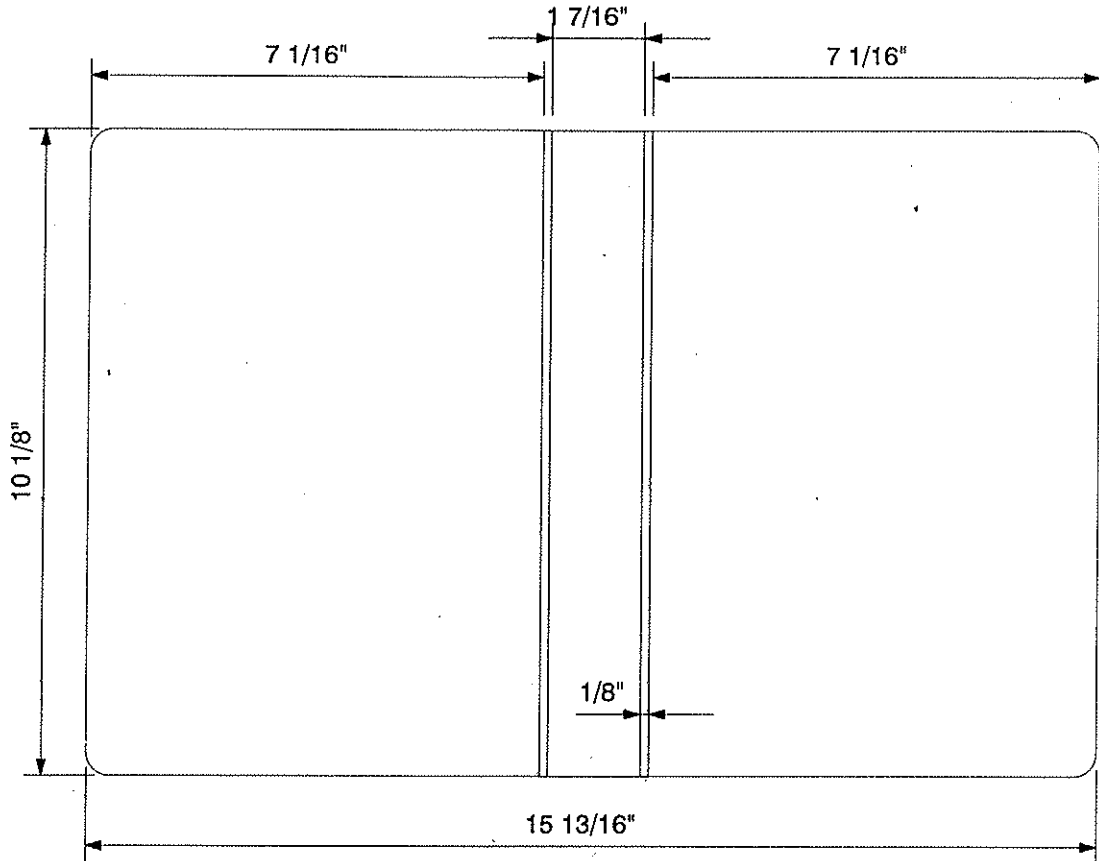
DIE #	6253	METAL	NONE	RADIUS	1/4"
ORDER #	987305	CUSTOMER	ENCORE MEDIA CORP	TEAR SEAL	.012
SHEET SIZE	0A 9.5 X 4.75	STYLE CASE	VINYL BINDER	BAR SEAL	102
CAP.	0A 1"	DUE DATE	5-27-97	COMPLETED	
LOCATION	T-2	QUANTITY	1	DATE	5-22-97



MATERIAL SPECS		GAUGE PCS.		MATERIAL SPECS		GAUGE PCS.	
COVER MAT.	10 1/4 X 11 3/8		1	LINING MAT.	10 1/4 X 11 3/8		1
COVER MAT.				LINING MAT.			
DIE CUT				HORZ. PKT.	3 3/8 X 5 3/16		1
COL				VERT. PKT.	10 1/4 X 4 5/8		1
LABEL HOLDER				DIE CUT			
GUSSET				REINF.			
BOARD SPECS		GAUGE PCS.		BOARD SPECS		GAUGE PCS.	
F.C. BOARD	9 5/16 X 4 5/8		1	F.C. BOARD			
B.B. BOARD	9 5/16 X 29/32		1	B.B. BOARD			
B.C. BOARD	9 5/16 X 4 5/8		1	B.C. BOARD			
FLAP BD.				DIE CUT			
BOARD				DIE CUT			

Matched Sample

DIE #	6430	METAL	LOC RR	RADIUS	3/8"
ORDER #	989194	CUSTOMER	TYPE A MKTG	TEAR SEAL	NAT EDGE
SHEET SIZE	8 1/2 X 6	STYLE CASE	VINYL BINDER	BAR SEAL	253
CAP.	1"	DUE DATE	2-9-98	COMPLETED	
LOCATION	G-11-3	QUANTITY	1	DATE	2-5-98

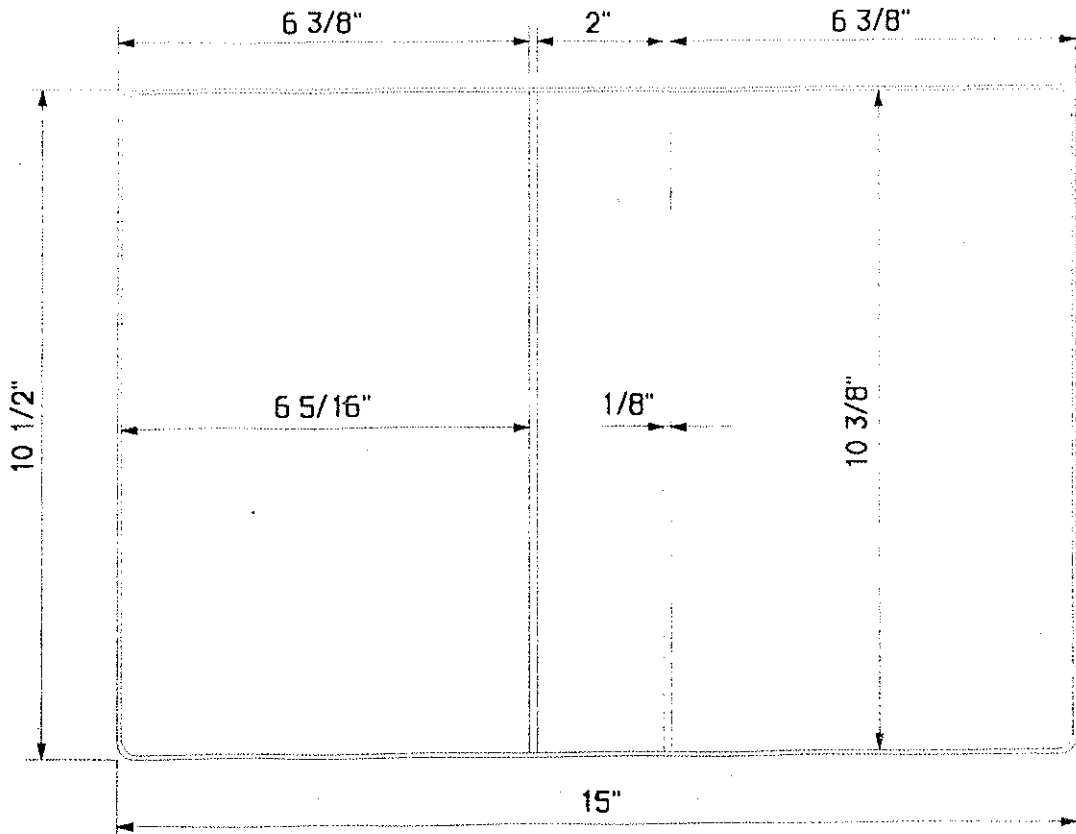


MATERIAL SPECS		GAUGE PCS.		MATERIAL SPECS		GAUGE PCS.	
COVER MAT.	10 7/8 X 16 1/2		1	LINING MAT.	10 7/8 X 16 1/2		1
COVER MAT.				LINING MAT.			
DIE CUT				HORZ. PKT.	4 3/8 X 16 1/2		1
COL	10 3/8 X 16 1/2		1	VERT. PKT.			
LABEL HOLDER				DIE CUT			
GUSSET				REINF.			
BOARD SPECS		GAUGE PCS.		BOARD SPECS		GAUGE PCS.	
F.C. BOARD	10 X 6 15/16	100	1	F.C. BOARD			
B.B. BOARD	10 X 1 11/32	100	1	B.B. BOARD			
B.C. BOARD	10 X 6 15/16	100	1	B.C. BOARD			
FLAP BD.				DIE CUT			
BOARD				DIE CUT			

DIE • 6518
 ORDER • 990209
 SHEET SIZE 9.5 X 4.75
 CAP. 1.5"
 LOCATION H-14-6

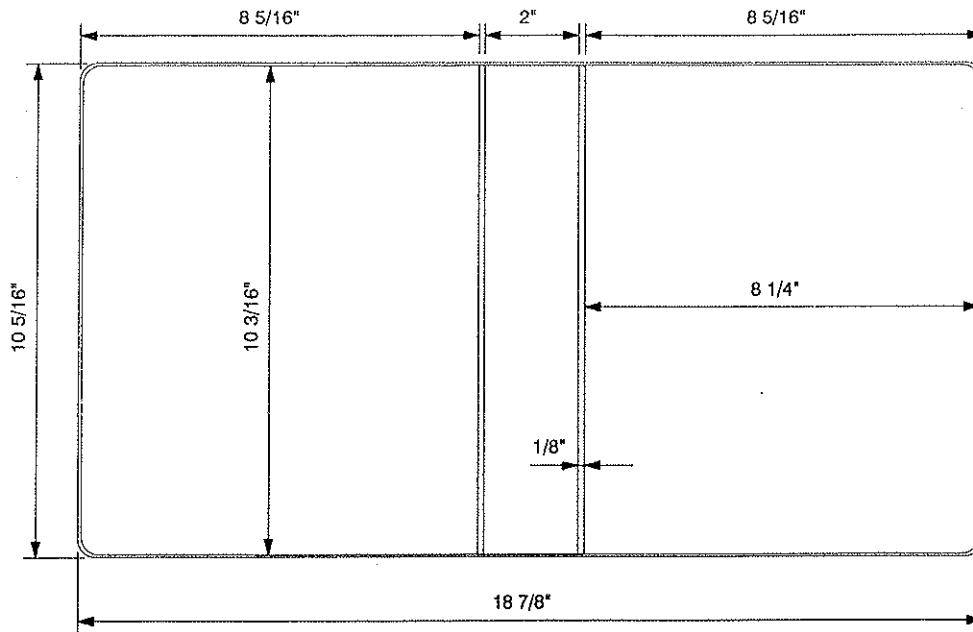
METAL 9.5 HOC
 CUSTOMER RCI
 STYLE CASE VINYL BINDER
 DUE DATE 7-8-98
 QUANTITY 9000

RADIUS 3/8"
 TEAR SEAL .014
 BAR SEAL 253
 COMPLETED
 DATE 6-8-98



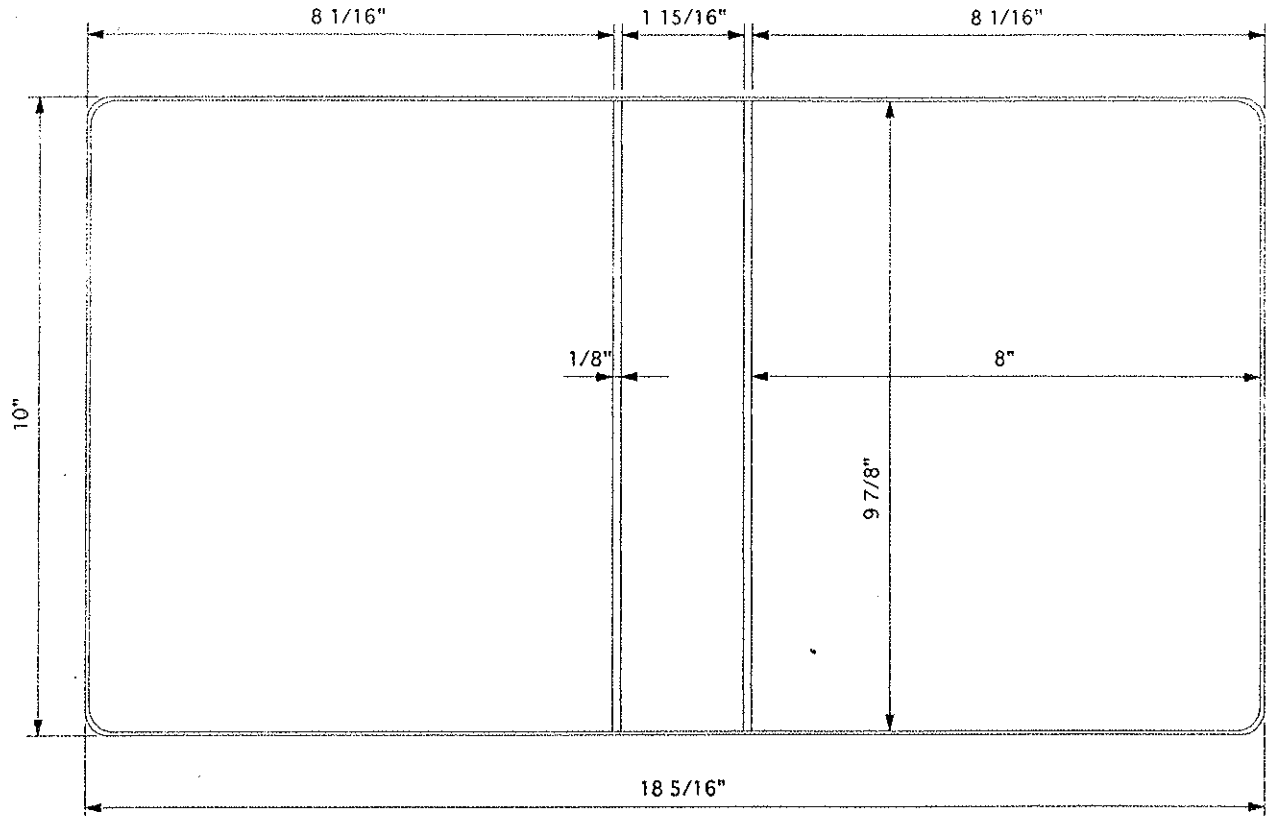
MATERIAL SPECS		GAUGE	PCS.	MATERIAL SPECS		GAUGE
COVER MAT.	11 1/2 X 16		1	LINING MAT.	11 1/4 X 15 3/4	
COVER MAT. Form	11 1/2 X 16	HS Form	1	LINING MAT.		
DIE CUT				HORZ. PKT.	5 3/8 X 6 7/8	
COL				VERT. PKT.		
LABEL HOLDER				DIE CUT		
GUSSET				REINF.		
BOARD SPECS		GAUGE	PCS.	BOARD SPECS		GAUGE
	5/16" R. CORNERS				5/16" R. CORNERS	
F.C. BOARD	10 9/32 X 6 7/32	100	1	F.C. BOARD		
B.B. BOARD	10 9/32 X 1 29/32	100	1	B.B. BOARD		
B.C. BOARD	10 9/32 X 6 7/32	100	1	B.C. BOARD		
FLAP BD.				DIE CUT		
BOARD				DIE CUT		

DIE #	6596	METAL		RADIUS	3/8"
ORDER #	178124	CUSTOMER	TRY FOODS INT'L	TEAR SEAL	.012
SHEET SIZE	9 1/2 X 6 1/2	STYLE CASE	VINYL BINDER	BAR SEAL	253
CAP.	1 1/2"	DUE DATE	11-6-98	COMPLETED	
LOCATION		QUANTITY	1	DATE	11-4-98



MATERIAL SPECS		GAUGE	PCS.	MATERIAL SPECS		GAUGE	PCS.
COVER MAT.	11 1/8 X 19 5/8		1	LINING MAT.	11 1/8 X 19 5/8		1
COVER MAT.	11 1/8 X 8 13/16		1	LINING MAT.			
DIE CUT				HORZ. PKT.			
COL				VERT. PKT.			
LABEL HOLDER				DIE CUT			
GUSSET				REINF.			
BOARD SPECS		5/16" R. CORNERS		GAUGE	PCS.	BOARD SPECS	
F.C. BOARD	10 1/8 X 8 3/16	100	1	F.C. BOARD			
B.B. BOARD	10 1/8 X 1 29/32	100	1	B.B. BOARD			
B.C. BOARD	10 1/8 X 8 3/16	100	1	B.C. BOARD			
FLAP BD.				DIE CUT			
BOARD				DIE CUT			

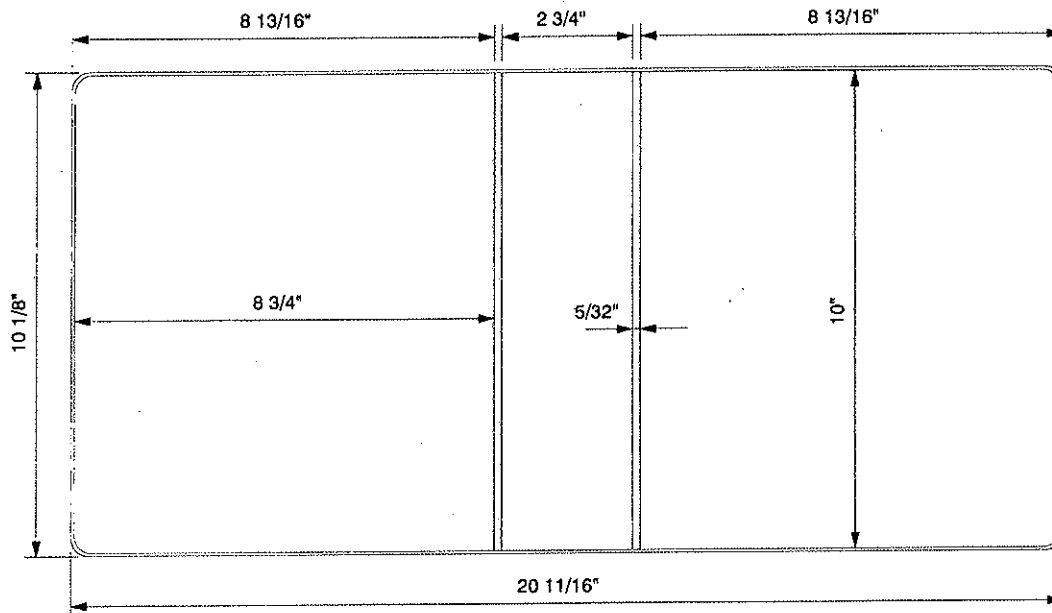
DIE #	6645	METAL	ANGLE D	RADIUS	3/8"
ORDER #	207028	CUSTOMER	SIGMA CHEMICAL CO.	TEAR SEAL	.012
SHEET SIZE	9.5 X 6	STYLE CASE	VINYL RING BINDER	BAR SEAL	253
CAP.	1.5"	DUE DATE	2-25-99	COMPLETED	
LOCATION	I - 9 - 9	QUANTITY	500	DATE	2-10-99



MATERIAL SPECS		GAUGE	PCS.	MATERIAL SPECS		GAUGE	PCS.				
COVER MAT.	10 3/4 X 19 1/16		1	LINING MAT.	10 3/4 X 19 1/16		1				
COVER MAT.				LINING MAT.							
DIE CUT				HORZ. PKT.	4 3/8 X 19 1/16		1				
COL				VERT. PKT.							
LABEL HOLDER				DIE CUT							
GUSSET				REINF.							
BOARD SPECS		5/16" R. CORNERS		GAUGE	PCS.	BOARD SPECS		5/16" R. CORNERS		GAUGE	PCS.
F.C. BOARD	9 13/16 X 7 15/16	120	1	F.C. BOARD							
B.B. BOARD	9 13/16 X 1 27/32	120	1	B.B. BOARD							
B.C. BOARD	9 13/16 X 7 15/16	120	1	B.C. BOARD							
FLAP BD.				DIE CUT							
BOARD				DIE CUT							

DIE #	6795	METAL	SD	RADIUS	3/8"
ORDER #		CUSTOMER		TEAR SEAL	.012
SHEET SIZE	9.5 x 6	STYLE CASE	VINYL RING BINDER	BAR SEAL	48-4
CAP.	2"	DUE DATE		COMPLETED	
LOCATION		QUANTITY		DATE	11-9-99

B906 WITH BEADED EDGE AND 48-4 BRASS

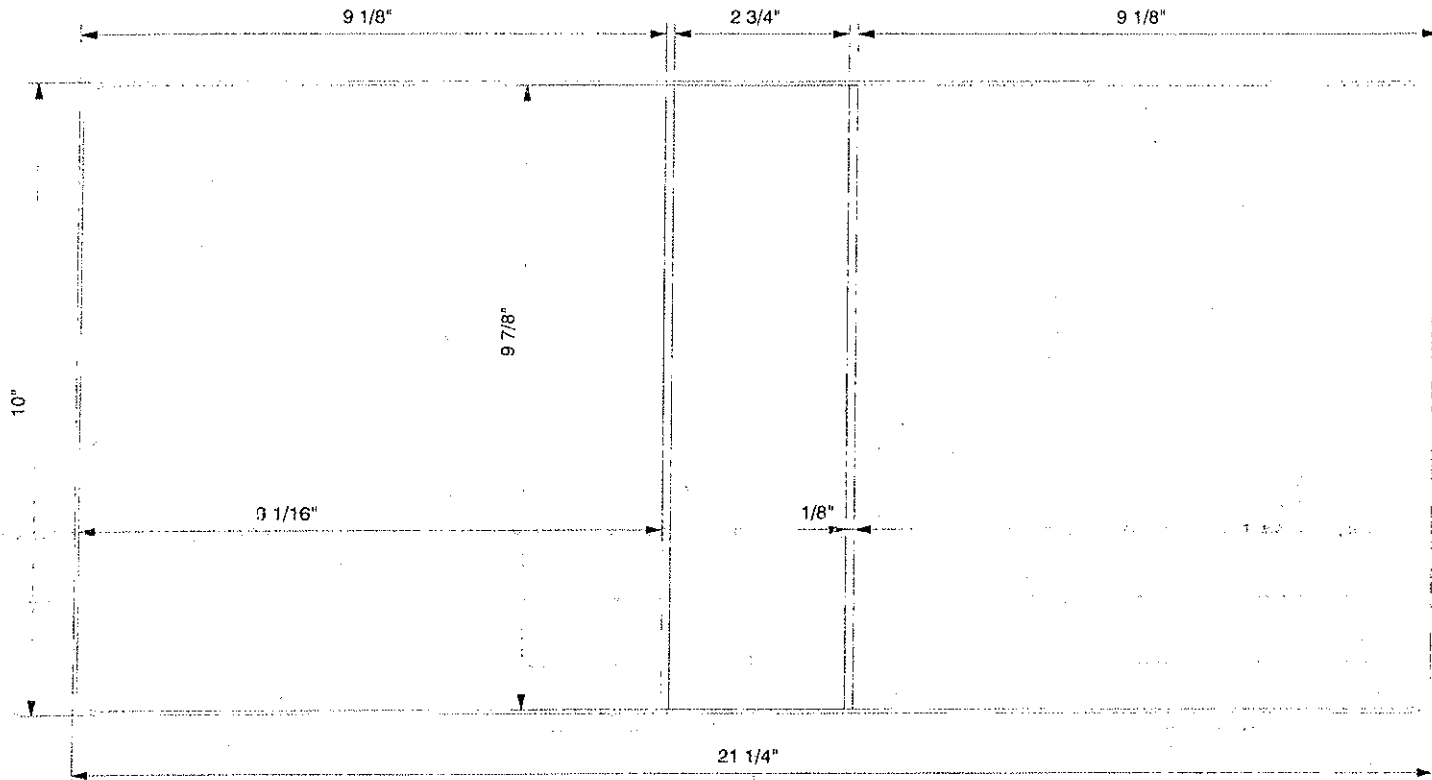


MATERIAL SPECS		GAUGE	PCS.	MATERIAL SPECS		GAUGE	PCS.
COVER MAT.	10 7/8 X 21 1/2		1	LINING MAT.	10 7/8 X 21 1/2		1
COVER MAT.				LINING MAT.			
DIE CUT				HORZ. PKT.	4 3/8 X 9 3/8		1
COL				VERT. PKT.			
LABEL HOLDER				DIE CUT			
GUSSET				REINF.			
BOARD SPECS		5/16" R. CORNERS		GAUGE	PCS.	BOARD SPECS	
F.C. BOARD	9 15/16 X 8 11/16	100	1	F.C. BOARD			
B.B. BOARD	9 15/16 X 2 11/16	100	1	B.B. BOARD			
B.C. BOARD	9 15/16 X 8 11/16	100	1	B.C. BOARD			
FLAP BD.				DIE CUT			
BOARD				DIE CUT			

DIE # 7069
 ORDER # 413500
 SHEET SIZE 9 1/2 X 6 3/4
 CAP. 2"
 LOCATION

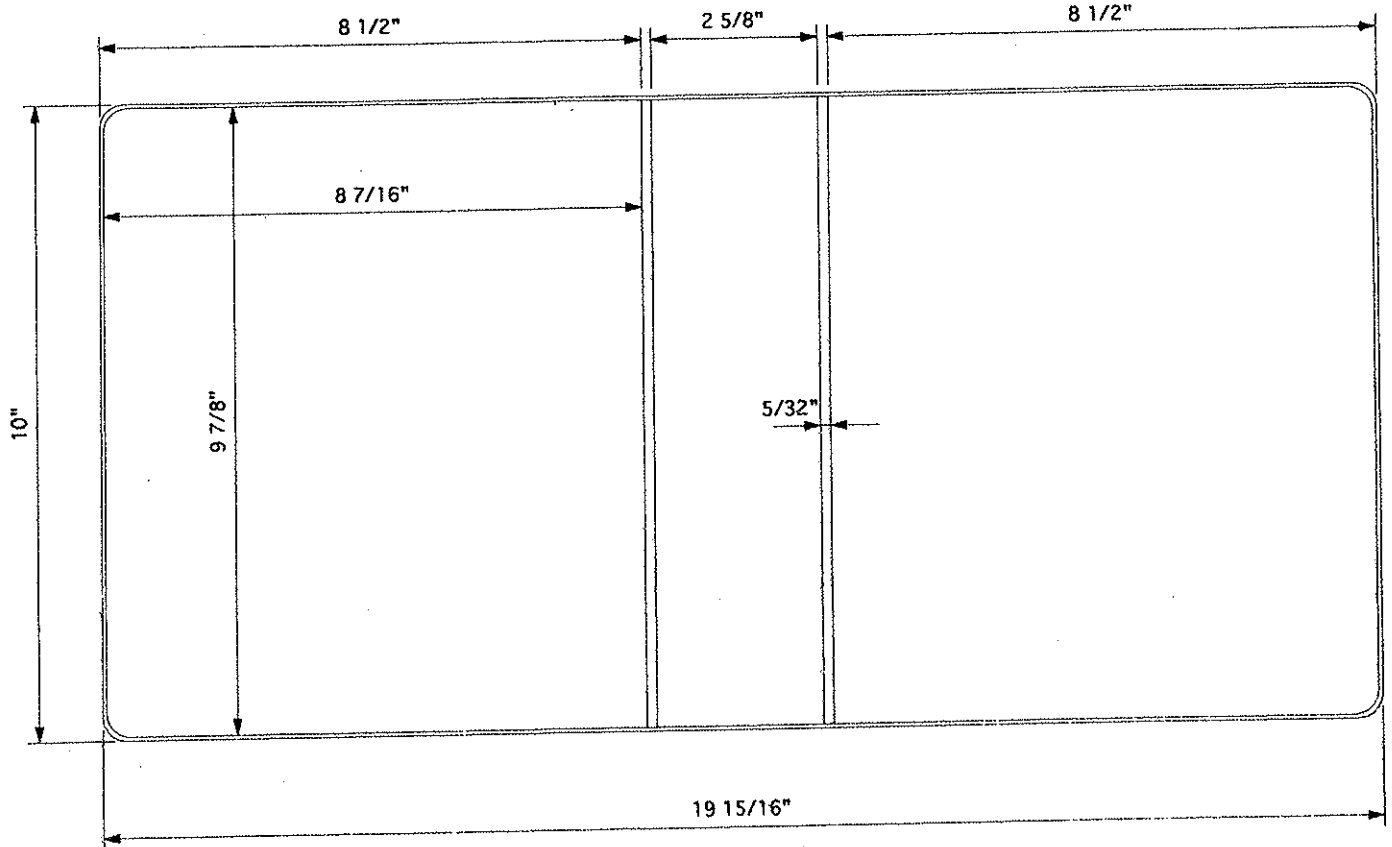
METAL ANGLE D
 CUSTOMER UNISOURCE
 STYLE CASE VINYL BINDER
 DUE DATE 3-16-01
 QUANTITY 350

RADIUS 3/8"
 TEAR SEAL .010
 BAR SEAL 48-3
 COMPLETED
 DATE 3-8-01



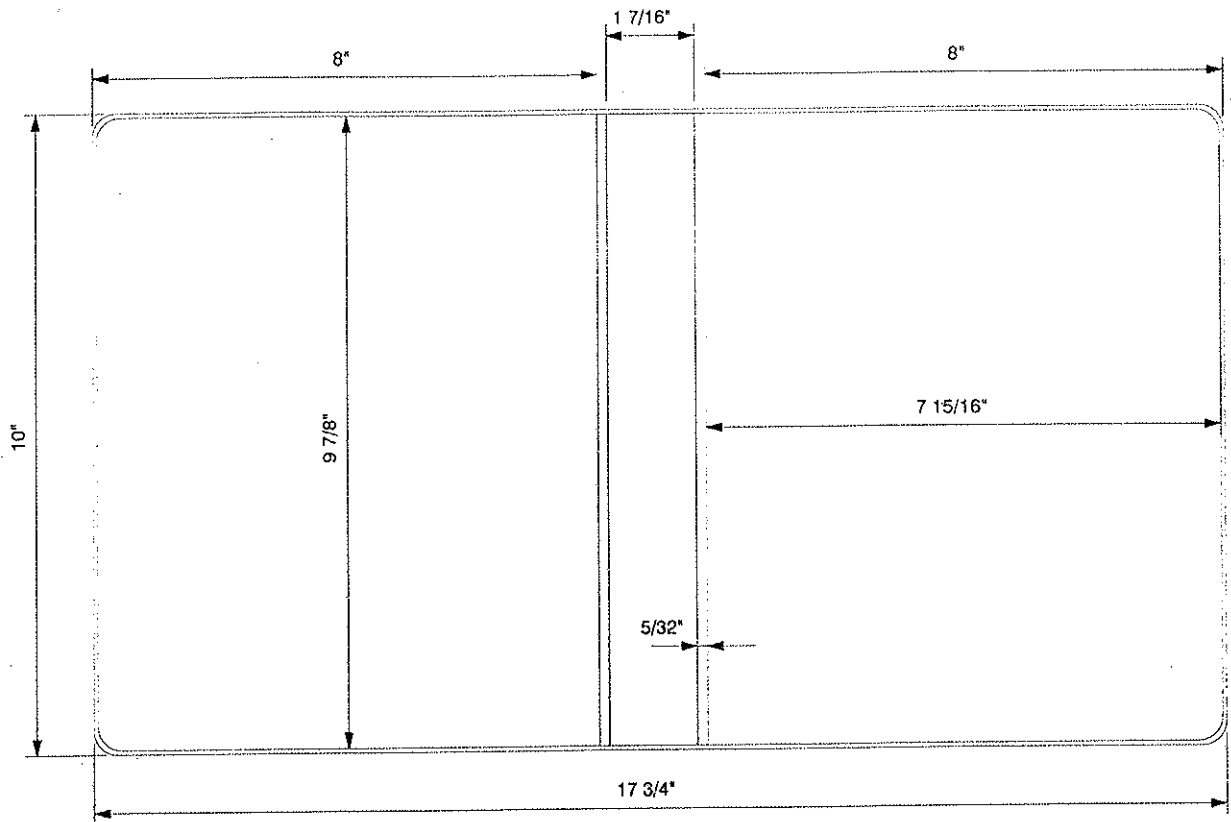
MATERIAL SPECS		GAUGE	PCS.	MATERIAL SPECS		GAUGE	PCS.
COVER MAT.	10 3/4 X 22			1 LINING MAT.	10 3/4 X 22		1
COVER MAT.				LINING MAT.			
DIE CUT				HORZ. PKT.			
COL				VERT. PKT.			
LABEL HOLDER				DIE CUT			
GUSSET				REINF.			
BOARD SPECS		GAUGE	PCS.	BOARD SPECS		GAUGE	PCS.
F.C. BOARD	9 13/16 X 9	120	1	F.C. BOARD	9 13/16 X 9	120	1
B.B. BOARD	9 13/16 X 2 21/32	120	1	B.B. BOARD	9 13/16 X 2 21/32	120	1
B.C. BOARD	9 13/16 X 9	120	1	B.C. BOARD	9 13/16 X 9	120	1
FLAP BD.				DIE CUT			
BOARD				DIE CUT			

DIE #	7343	METAL	LOC	RADIUS	3/8"
ORDER #	524744	CUSTOMER	MILITARY SERVICES	TEAR SEAL	.012
SHEET SIZE	9 1/2 X 6 1/2	STYLE CASE	VRB	BAR SEAL	48-5
CAP.	2"	DUE DATE	11-8-02	COMPLETED	
LOCATION		QUANTITY	100	DATE	11-1-02



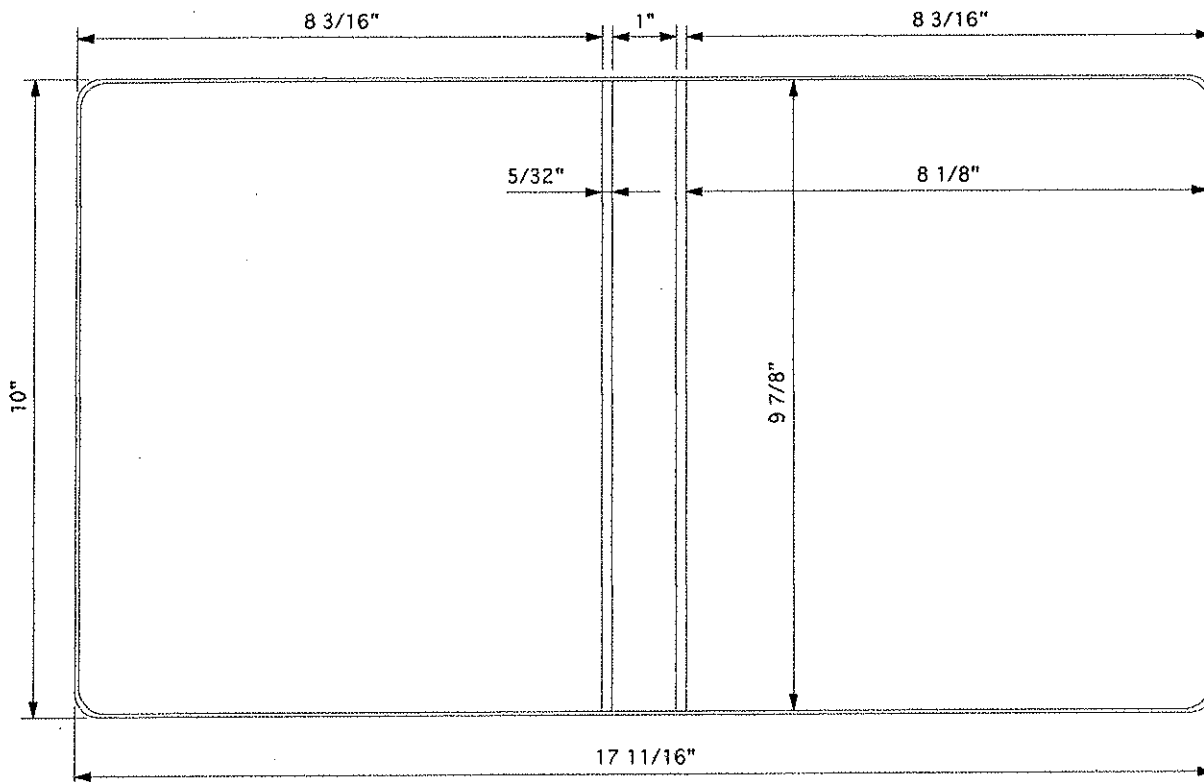
MATERIAL SPECS		GAUGE	PCS.	MATERIAL SPECS		GAUGE	PCS.	
COVER MAT.	10 3/4 X 20 3/4		1	LINING MAT.	10 3/4 X 20 3/4		1	
COVER MAT.				LINING MAT.				
DIE CUT				HORZ. PKT.	4 3/8 X 20 3/4		1	
COL				VERT. PKT.				
LABEL HOLDER				DIE CUT				
GUSSET				REINF.				
BOARD SPECS		5/16" R. CORNERS	GAUGE	PCS.	BOARD SPECS	5/16" R. CORNERS	GAUGE	PCS.
F.C. BOARD	9 13/16 X 8 3/8		120	1	F.C. BOARD			
B.B. BOARD	9 13/16 X 2 17/32		120	1	B.B. BOARD			
B.C. BOARD	9 13/16 X 8 3/8		120	1	B.C. BOARD			
FLAP BD.					DIE CUT			
BOARD					DIE CUT			

DIE #	6648	METAL	N/B RR	RADIUS	3/8"
ORDER #	208936	CUSTOMER	KINKOS	TEAR SEAL	.012
SHEET SIZE	OA 10X8	STYLE CASE	VINYL RING BINDER	BAR SEAL	254
CAP.	1"	DUE DATE	2-22-99	COMPLETED	
LOCATION	I-10-1	QUANTITY	200	DATE	2-12-99



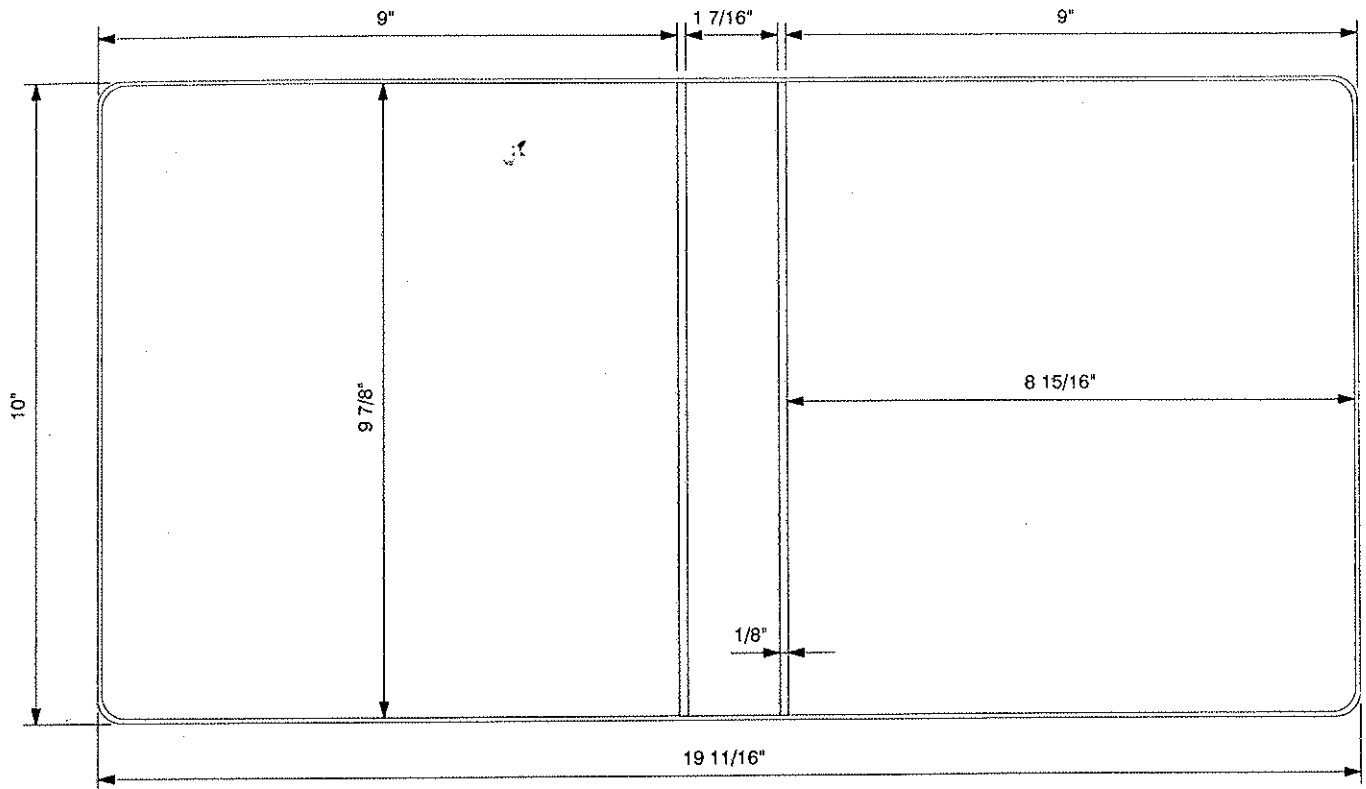
MATERIAL SPECS		GAUGE	PCS.	MATERIAL SPECS		GAUGE	PCS.
COVER MAT.	10 3/4 X 18 1/2		1	LINING MAT.	10 3/4 X 18 1/2		1
COVER MAT.				LINING MAT.			
DIE CUT				HORZ. PKT.			
COL	10 1/8 X 10 5/8		1	VERT. PKT.			
LABEL HOLDER				DIE CUT			
GUSSET				REINF.			
BOARD SPECS		5/16" R. CORNERS		GAUGE	PCS.	BOARD SPECS	
F.C. BOARD	9 13/16 X 7 7/8	100	1	F.C. BOARD			
B.B. BOARD	9 13/16 X 1 11/32	100	1	B.B. BOARD			
B.C. BOARD	9 13/16 X 7 7/8	100	1	B.C. BOARD			
FLAP BD.				DIE CUT			
BOARD				DIE CUT			

DIE #	7817	METAL	RR	RADIUS	3/8"
ORDER #	658030	CUSTOMER	HOLIDAY INN EXPRESS	TEAR SEAL	.012
SHEET SIZE	9 1/2 X 7 1/2	STYLE CASE	VINYL BINDER	BAR SEAL	48-4
CAP.	1/2"	DUE DATE	2-8-05	COMPLETED	
LOCATION		QUANTITY	200	DATE	1-14-05



MATERIAL SPECS		GAUGE	PCS.	MATERIAL SPECS		GAUGE	PCS.
COVER MAT.	10 3/4 X 18 1/2		1	LINING MAT.	10 3/4 X 18 1/2		1
COVER MAT.				LINING MAT.			
DIE CUT				HORZ. PKT.			
COL				VERT. PKT.			
LABEL HOLDER				DIE CUT			
GUSSET				REINF.			
BOARD SPECS		5/16" R. CORNERS		GAUGE	PCS.	BOARD SPECS	
F.C. BOARD	9 13/16 X 8 1/16	100	1	F.C. BOARD			
B.B. BOARD	9 13/16 X 29/32	100	1	B.B. BOARD			
B.C. BOARD	9 13/16 X 8 1/16	100	1	B.C. BOARD			
FLAP BD.				DIE CUT			
BOARD				DIE CUT			

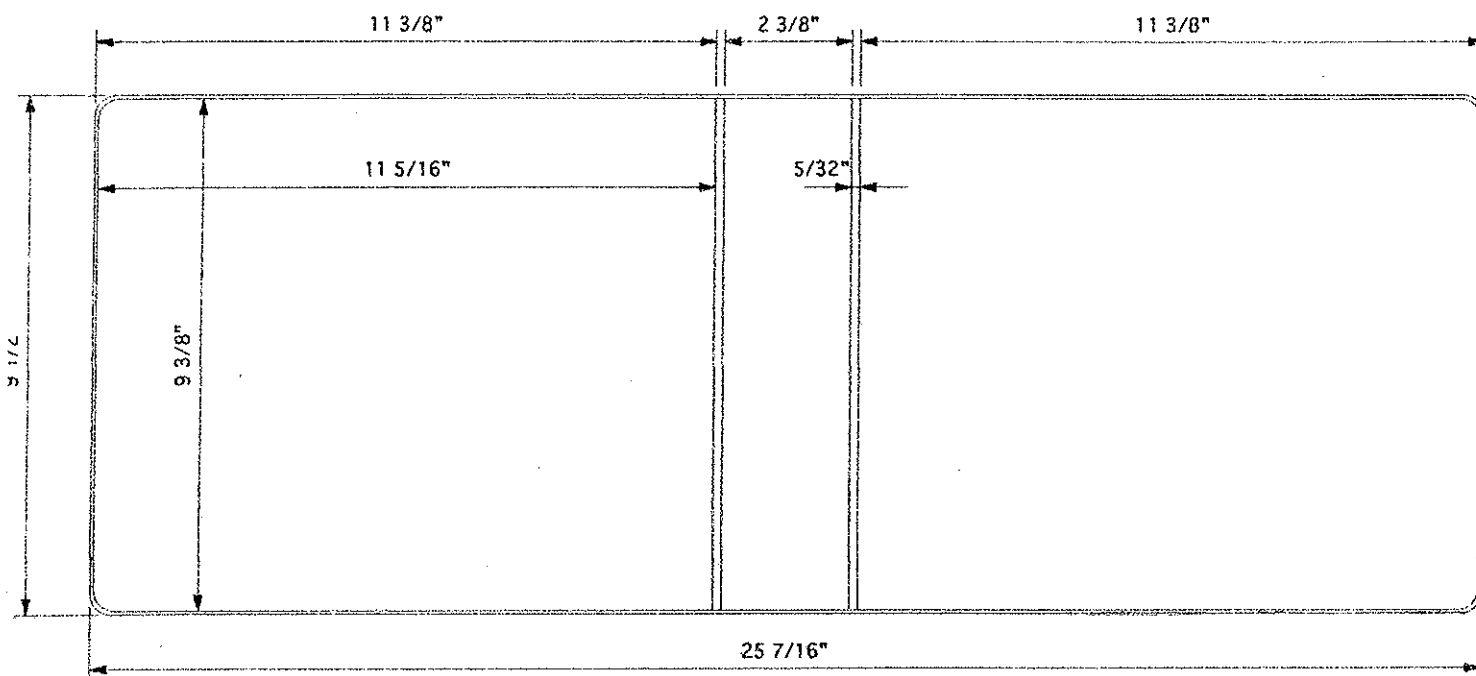
DIE #	6496	METAL	MEMO	RADIUS	3/8"
ORDER #	77899	CUSTOMER	NSC INTERNATIONAL	TEAR SEAL	.012
SHEET SIZE	9 1/2 X 7 3/4	STYLE CASE	VINYL BINDER	BAR SEAL	253
CAP.	1"	DUE DATE	5-7-98	COMPLETED	
LOCATION	F-7-9	QUANTITY	600	DATE	5-1-98



MATERIAL SPECS		GAUGE	PCS.	MATERIAL SPECS		GAUGE	P
COVER MAT.	11 X 20 3/4		1	LINING MAT.	10 3/4 X 20 1/2		
COVER MAT.				LINING MAT.			
DIE CUT				HORZ. PKT.			
COL				VERT. PKT.			
LABEL HOLDER				DIE CUT			
GUSSET				REINF.			

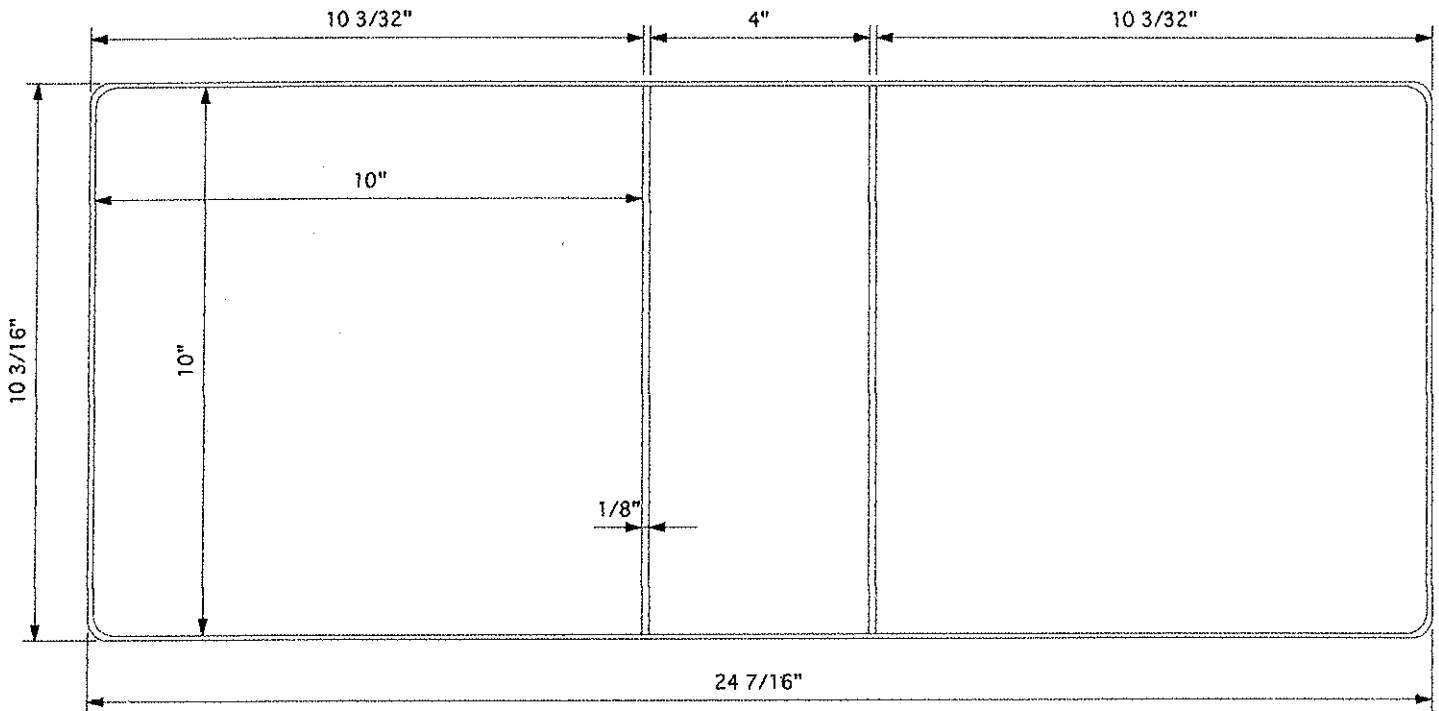
BOARD SPECS		5/16" R. CORNERS	GAUGE	PCS.	BOARD SPECS		5/16" R. CORNERS	GAUGE	F
F.C. BOARD					F.C. BOARD				
B.B. BOARD					B.B. BOARD				
B.C. BOARD					B.C. BOARD				
FLAP BD.					DIE CUT				
BOARD					DIE CUT				

DIE #	7523	METAL	STR D	RADIUS	3/8"
ORDER #	575171	CUSTOMER	CONCORD PRINTING COMPANY	TEAR SEAL	.012
SHEET SIZE	9 X 9 1/2	STYLE CASE	VRB	BAR SEAL	48-4
CAP.	1 1/2"	DUE DATE	9-13-03	COMPLETED	
LOCATION		QUANTITY	750	DATE	9-2-03



MATERIAL SPECS		GAUGE		MATERIAL SPECS		GAUGE	
COVER MAT.	10 1/4 X 26 1/4	1		LINING MAT.	10 1/4 X 26 1/4	1	
COVER MAT.				LINING MAT.			
DIE CUT				HORZ. PKT.			
COL.				VERT. PKT.			
LABEL HOLDER				DIE CUT			
GUSSET				REINF.			
BOARD SPECS	5/16" R. CORNERS	GAUGE	PCS.	BOARD SPECS	5/16" R. CORNERS	GAUGE	PCS.
F.C. BOARD	9 5/16 X 11 1/4	100	1	F.C. BOARD			
B.B. BOARD	9 5/16 X 2 9/32	100	1	B.B. BOARD			
B.C. BOARD	9 5/16 X 11 1/4	100	1	B.C. BOARD			
FLAP BD.				DIE CUT			
BOARD				DIE CUT			

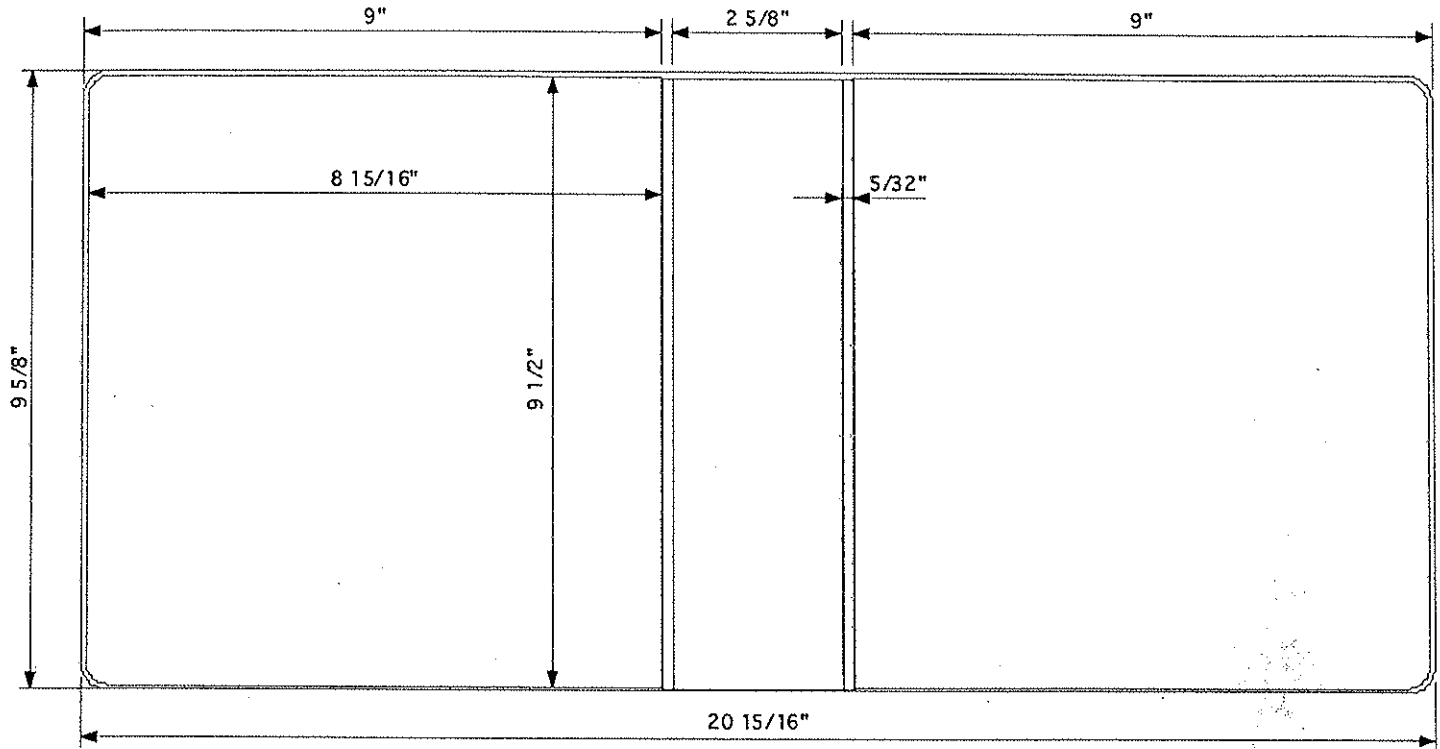
DIE #	7756	METAL	ANGLE D	RADIUS	3/8"
ORDER #	640825	CUSTOMER	GENERAL DYNAMICS	TEAR SEAL	.014
SHEET SIZE	9 1/2 X 6 1/2	STYLE CASE	VINYL BINDER (NELL N687)	BAR SEAL	48-3
CAP.	3"	DUE DATE	9-24-04	COMPLETED	
LOCATION		QUANTITY	200	DATE	9-13-04



MATERIAL SPECS		GAUGE	PCS.	MATERIAL SPECS		GAUGE	PCS.
COVER MAT.	11 X 25 1/4		1	LINING MAT.	11 X 25 1/4		1
COVER MAT.				LINING MAT.			
DIE CUT				HORZ. PKT.			
COL	10.5/16 X 25 1/4		1	VERT. PKT.			
LABEL HOLDER				DIE CUT			
GUSSET				REINF.			
BOARD SPECS		GAUGE	PCS.	BOARD SPECS		GAUGE	PCS.
F.C. BOARD	9 15/16 X 9 15/16	118	1	F.C. BOARD			
B.B. BOARD	9 15/16 X 3 29/32	118	1	B.B. BOARD			
B.C. BOARD	9 15/16 X 9 15/16	118	1	B.C. BOARD			
FLAP BD.				DIE CUT			
BOARD				DIE CUT			

DIE #	8122	METAL	ANGLE D	RADIUS	3/8"
ORDER #	711427	CUSTOMER	UNISOURCE	TEAR SEAL	.014
SHEET SIZE	9 X 6 1/2	STYLE CASE	VINYL BINDER	BAR SEAL	48-4
CAP.	2"	DUE DATE		COMPLETED	
LOCATION		QUANTITY	5000	DATE	4-12-06

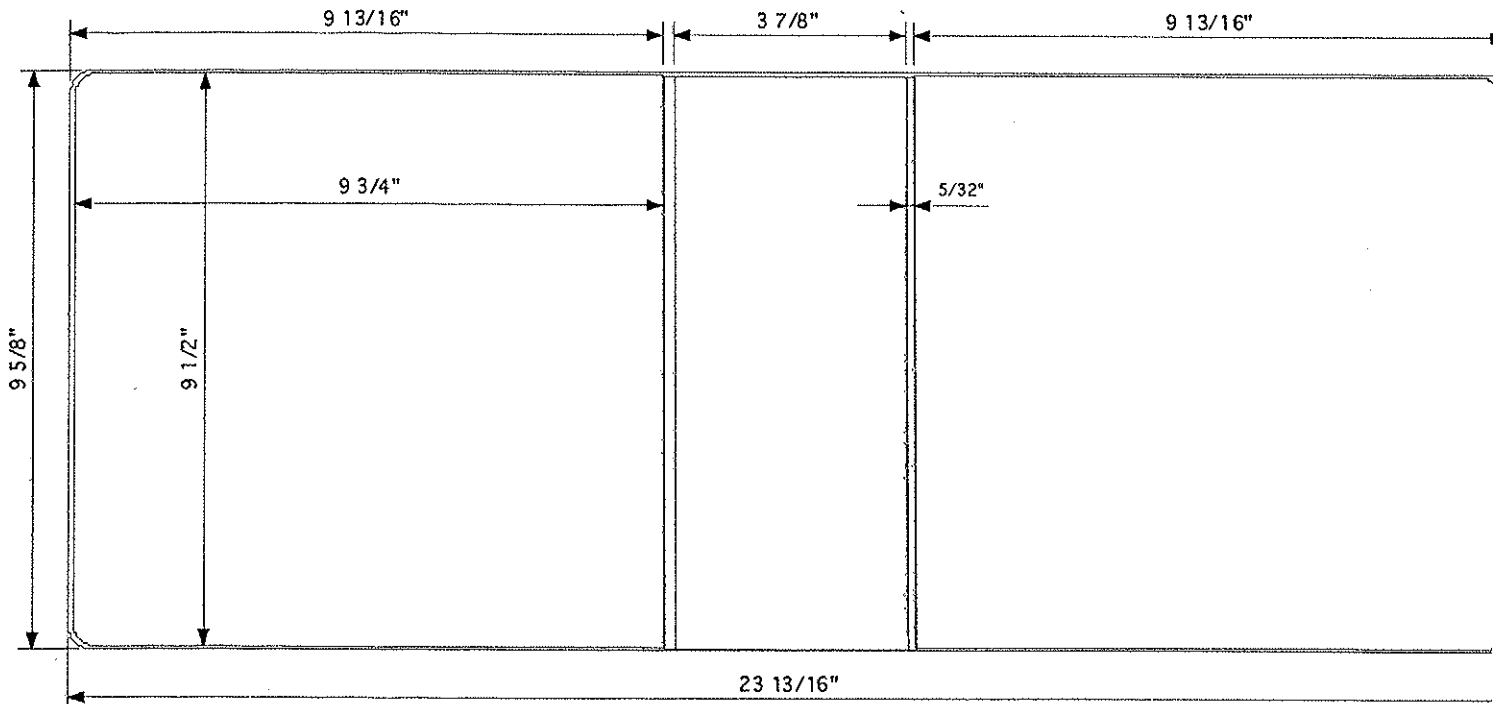
*** WARNING DRAWING NOT ACTUAL SIZE ***



MATERIAL SPECS		GAUGE	PCS.	MATERIAL SPECS		GAUGE	PCS.				
COVER MAT.	10 3/8 X 21 3/4		1	LINING MAT.	10 3/8 X 21 3/4		1				
COVER MAT.	12 X 22 1/4		1	LINING MAT.							
DIE CUT				HORZ. PKT.	4 3/8 X 9 1/2		1				
COL				VERT. PKT.							
LABEL HOLDER				DIE CUT							
GUSSET				REINF.	9 3/8 X 3 5/8		1				
BOARD SPECS		5/16" R CORNERS		GAUGE	PCS.	BOARD SPECS		5/16" R CORNERS		GAUGE	PCS.
F.C. BOARD	9 7/16 X 8 7/8	120	1	F.C. BOARD							
B.B. BOARD	9 7/16 X 2 17/32	120	1	B.B. BOARD							
B.C. BOARD	9 7/16 X 8 7/8	120	1	B.C. BOARD							
FLAP BD.				DIE CUT							
BOARD				DIE CUT							

DIE #	8123	METAL	ANGLE D	RADIUS	3/8"
ORDER #	711531	CUSTOMER	UNISOURCE	TEAR SEAL	.014
SHEET SIZE	9 X 6 1/2	STYLE CASE	VINYL BINDER	BAR SEAL	48-4
CAP.	2 1/2"	DUE DATE		COMPLETED	
LOCATION		QUANTITY	5000	DATE	4-12-06

*** WARNING DRAWING NOT ACTUAL SIZE ***



MATERIAL SPECS		GAUGE	PCS.	MATERIAL SPECS		GAUGE	PCS.				
COVER MAT.	10 3/8 X 24 5/8		1	LINING MAT.	10 3/8 X 24 5/8		1				
COVER MAT.	12 X 25 1/8		1	LINING MAT.			1				
DIE CUT				HORZ. PKT.	4 3/8 X 10 3/8						
COL				VERT. PKT.							
LABEL HOLDER				DIE CUT							
GUSSET				REINF.	9 3/8 X 5						
BOARD SPECS		5/16" R. CORNERS		GAUGE	PCS.	BOARD SPECS		5/16" R. CORNERS		GAUGE	PCS.
F.C. BOARD	9 7/16 X 9 11/16	120	1	F.C. BOARD							
B.B. BOARD	9 7/16 X 3 25/32	120	1	B.B. BOARD							
B.C. BOARD	9 7/16 X 9 11/16	120	1	B.C. BOARD							
FLAP BD.				DIE CUT							
BOARD				DIE CUT							