

Product Code

Style Case *folder*

Sheet Size *9* X *13 5/8* ^{d.A.} Cap.

Die No. *2812*

Order No. *18205-5*

Plate

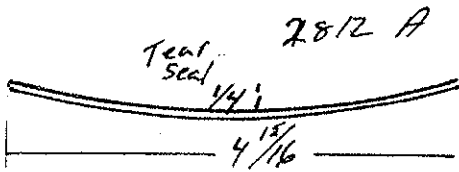
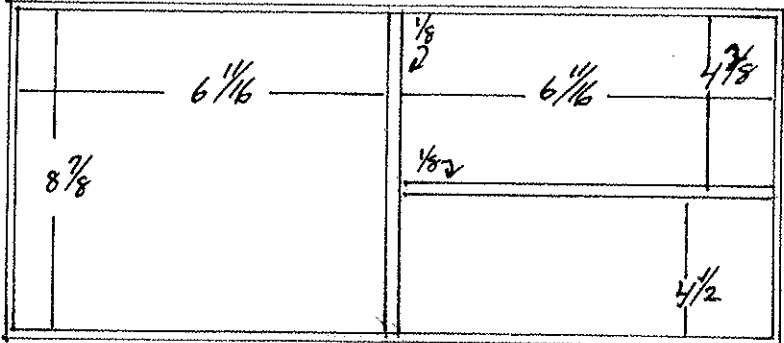
Customer

Bible Reading Fellowship

Metal
Total Vinyl <i>1010</i>
Quantity <i>500</i>
Date <i>5-7-82</i>
Type Corners <i>59</i>
Radius
Completed

	Gauge	Thick
Tear Seal	<i>.016</i>	<i>332</i>
Bar Seal		
Bar Seal		

	No. of Feet
Tear Seal	
Bar Seal	
Bar Seal	



Code	Ga.	# PCS	Cutting Specs		Code	Ga.	# Pcs.	Cutting Specs	
			Size	Out				Size	Out
Cover Mat.		<i>1</i>	<i>9 5/8 X 14 1/4</i>		Lining Mat.		<i>1</i>		
Cover Mat			<i>X</i>		Lining Mat.			<i>X</i>	
Vert. Pckt.		<i>1</i>	<i>9 5/8 X 6 13/16</i>		Horz. Pckt.		<i>1</i>	<i>4 13/16 X 7 7/16</i>	
Vert. Pckt.			<i>X</i>		Horz. Pckt.			<i>X</i>	
Pocket			<i>X</i>		Pocket			<i>X</i>	
Label Holder			<i>X</i>		Card Holder			<i>X</i>	
Material			<i>X</i>		Material			<i>X</i>	
Material			<i>X</i>		Material			<i>X</i>	
Material			<i>X</i>		Material			<i>X</i>	
F.C. Board			<i>X</i>		B.C. Board			<i>X</i>	
B.C. Board			<i>X</i>		B.B. Board			<i>X</i>	
Center Board			<i>X</i>		Board			<i>X</i>	
Board			<i>X</i>		Strip			<i>X</i>	
Cover Pad			<i>X</i>		Strip			<i>X</i>	
					B.B. Pad			<i>X</i>	

Product Code

Style Case *folder*

Overall *outside*
Sheet Size *6 1/2* X *3 7/8* Cap.

Die No. *3495*

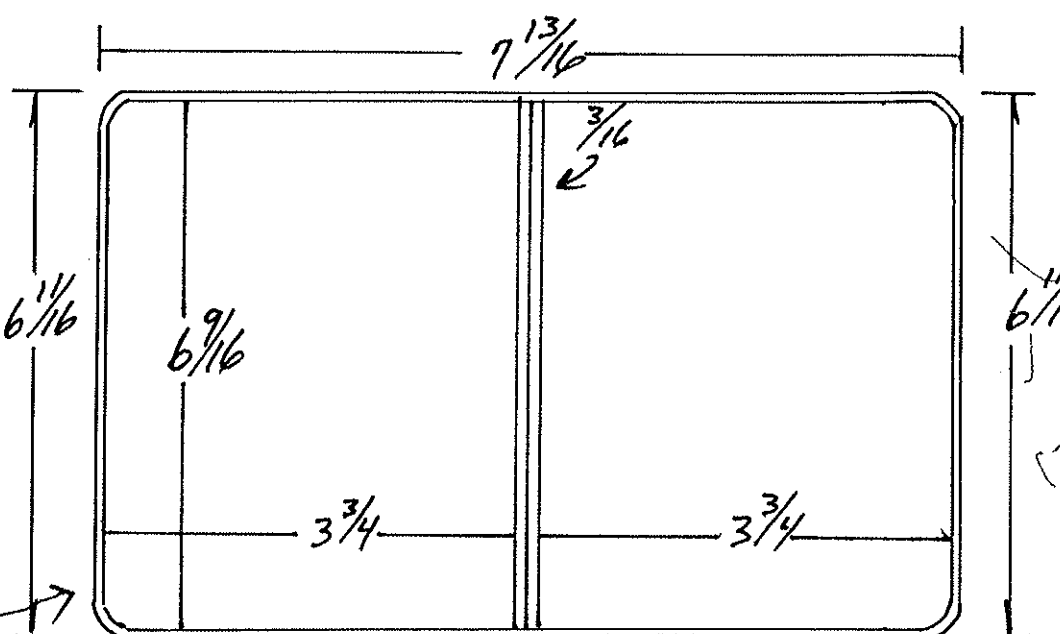
Order No. *951426*

Plate

Customer

Parisian

Metal
Total Vinyl <i>.025</i>
Quantity <i>2500</i>
Date <i>4-15-36</i>
Type Corners <i>Rd</i>
Radius <i>3/32</i>
Completed



	Gauge	Thick
Tear Seal	<i>SP/1</i>	<i>3/32</i>
Bar Seal	<i>178</i>	<i>3/16</i>
Bar Seal		

	No. of Feet
Tear Seal	
Bar Seal	
Bar Seal	

*B.B. to be
1 Pc. #178 grooved up*

*Feather edge
High side in
SP/1 Brass*

Code	Ga.	Pcs	Cutting Specs		Code	Ga.	Pcs.	Cutting Specs	
			Size	Out				Size	Out
Cover Mat.			$7 \frac{5}{16} \times 8 \frac{7}{16}$	1	Lining Mat.			$7 \frac{5}{16} \times 3 \frac{13}{16}$	2
Cover Mat.			X		Lining Mat.			X	
Vert. Pckt.			X		Horz. Pckt.			X	
Vert. Pckt.			X		Horz. Pckt.			X	
Pocket			X		Pocket			X	
Label Holder			X		Card Hlder			$2 \frac{11}{16} \times 3 \frac{13}{16}$	1
Material			X		Material			X	
Material			X		Material			X	
Material			X		Material			X	
F.C. Board			X		B.C. Board			X	
B.C. Board			X		B.B. Board			X	
Center Board			X		Board			X	
Board			X		Strip			X	
Cover Pad			X		Strip			X	
					B.B. Pad			X	

Product Code

Style Case *folder*

Sheet Size *as layout* X

Cap.

Die No. *3631*

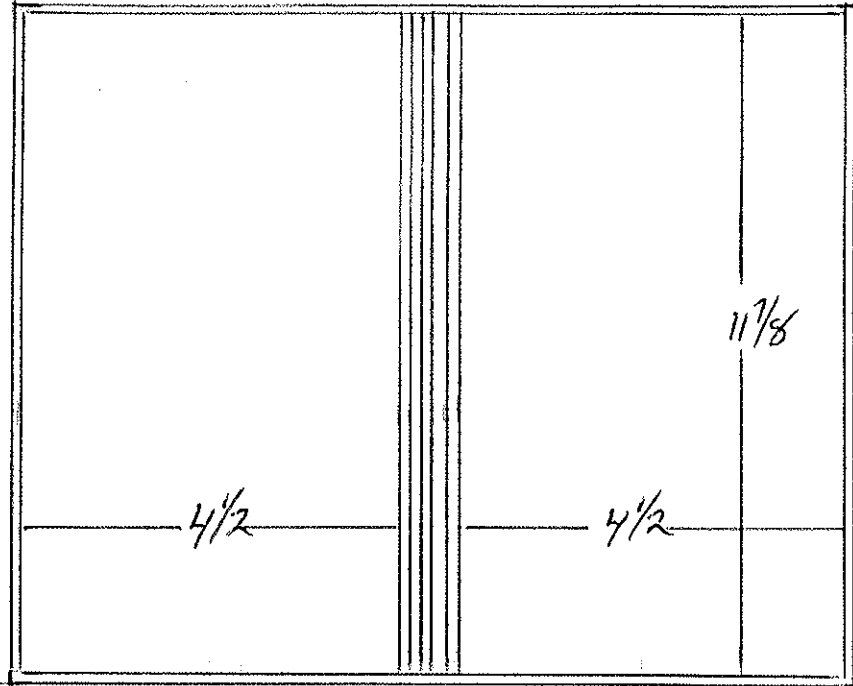
Order No. *953121*

Plate

Customer

VB+C Samples

Metal
Total Vinyl <i>.031</i>
Quantity <i>2</i>
Date <i>9-24</i>
Type Corners <i>Sq</i>
Radius
Completed



	Gauge	Thick
Tear Seal	<i>.016</i>	<i>3/32</i>
Bar Seal	<i>178</i>	<i>3/16</i>
Bar Seal		

	No. of Feet
Tear Seal	
Bar Seal	
Bar Seal	

*B.B. to be 3pc.
3/16 grooved up
2pc. 2pt. lead*

Code		Ga.	Pcs	Size	Out	Cutting Specs	Code		Ga.	Pcs.	Size	Out	Cutting Specs.
Cover Mat.	<i>12 5/8 X 10 3/8</i>		<i>1</i>				Lining Mat.	<i>12 5/8 X 10 3/8</i>					
Cover Mat.	X						Lining Mat.	X					
Vert. Pckt.	X						Horz. Pckt.	<i>12 1/16 X 10 7/8</i>	<i>1</i>				
Vert. Pckt.	X						Horz. Pckt.	<i>5 5/8 X 5 1/8</i>	<i>1</i>				
Pocket	X						Pocket	<i>9 15/16 X 5 1/8</i>	<i>1</i>				
Label Holder	X						Card Holder	X					
Material	X						Material	X					
Material	X						Material	X					
Material	X						Material	X					
F.C. Board	X						B.C. Board	X					
B.C. Board	X						B.B. Board	X					
Center Board	X						Board	X					
Board	X						Strip	X					
Cover Pad	X						Strip	X					
							B.B. Pad	X					

Product Code

Style Case *Vinyl folders*

Sheet Size *25 sample*

Cap.

Die No. **3703**

Order No. **58487**

Plate

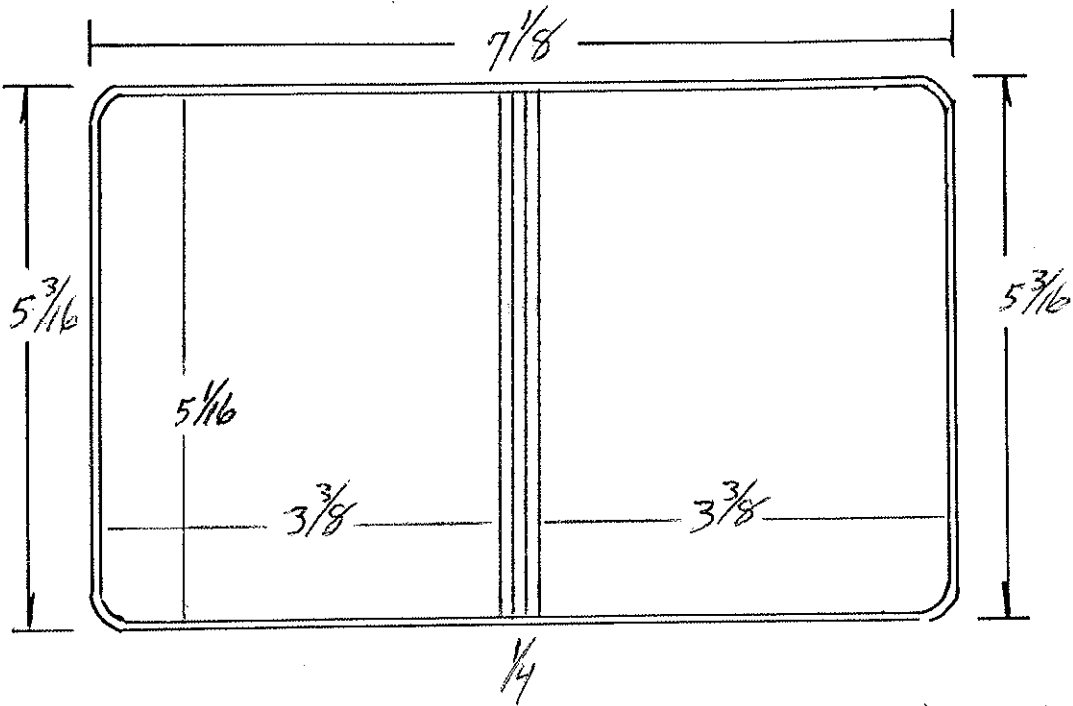
EBSCO Media - Ad spec

Customer

Metal
Total Vinyl <i>23</i>
Quantity <i>500</i>
Date
Type Corners <i>Rd</i>
Radius <i>3/32</i>
Completed

	Gauge	Thick
Tear Seal	<i>.012</i>	<i>3/32</i>
Bar Seal	<i>178</i>	<i>3/16</i>
Bar Seal		

	No. of Feet
Tear Seal	
Bar Seal	
Bar Seal	



B.B. Bone to be 2R. #42 + 1 pc. 6ft. lead

Code	Ga.	#	Cutting Specs.		Code	Ga.	#	Cutting Specs.	
			Size	Out				Size	Out
Cover Mat.			<i>5 13/16 x 7 3/4</i>	<i>1</i>	Lining Mat.				X
Cover Mat.			X		Lining Mat.				X
Vert. Pckt.			<i>5 13/16 x 3 1/16</i>	<i>2</i>	Horz. Pckt.				X
Vert. Pckt.			X		Horz. Pckt.				X
Pocket			X		Pocket				X
Label Holder			X		Card Holder				X
Material			X		Material				X
Material			X		Material				X
Material			X		Material				X
F.C. Board			X		B.C. Board				X
B.C. Board			X		B.B. Board				X
Center Board			X		Board				X
Board			X		Strip				X
Cover Pad			X		Strip				X
					B.B. Pad				X

Product Code

Style Case *Vinyl folder*

Sheet Size *11* X *8 1/2* Cap.

Die No. *3936* Order No. *58949*

Plate

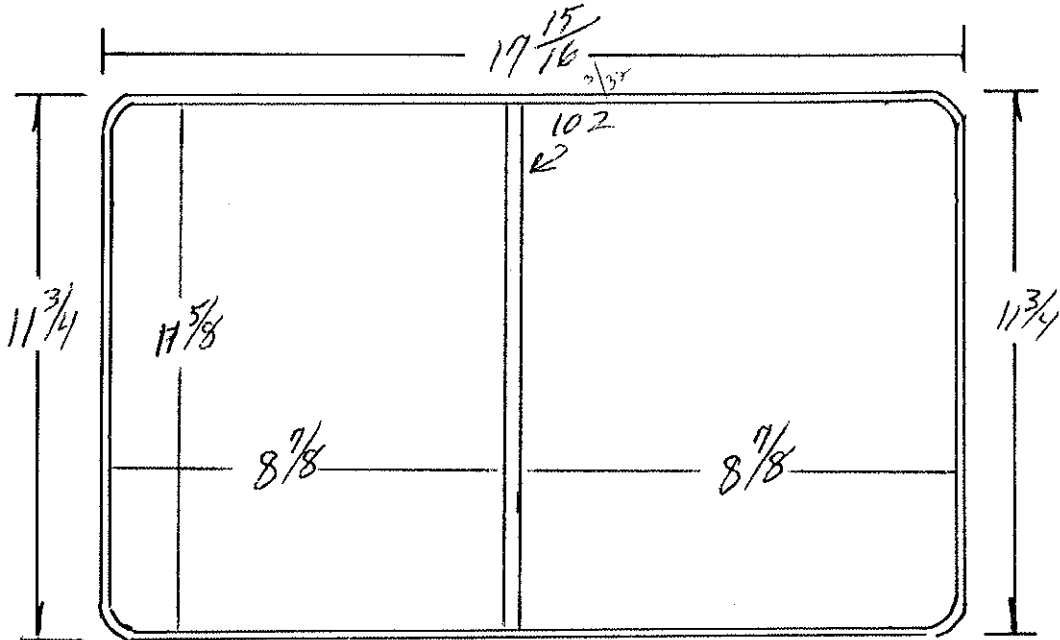
Customer

Fbsco Industries

Metal
Total Vinyl <i>.016</i>
Quantity <i>1000</i>
Date <i>1-4-88</i>
Type Corners <i>R0</i>
Radius <i>3/32</i>
Completed

	Gauge	Thick
Tear Seal	<i>.012</i>	<i>3/32</i>
Bar Seal	<i>102</i>	<i>3/32</i>
Bar Seal		

	No. of Feet
Tear Seal	
Bar Seal	
Bar Seal	



Code	Ga.	# PCS	Cutting Specs		Code	Ga.	# Pcs.	Cutting Specs	
			Size	Out				Size	Out
Cover Mat.		<i>1</i>	<i>12 3/8 X 18 9/16</i>		Lining Mat.		<i>1</i>		
Cover Mat			X		Lining Mat.			X	
Vert. Pckt.			X		Horz. Pckt.			X	
Vert. Pckt.			X		Horz. Pckt.		<i>5 3/8 X 18 9/16</i>		
Pocket			X		Pocket			X	
Label Holder			X		Card Hlder			X	
Material			X		Material			X	
Material			X		Material			X	
Material			X		Material			X	
F.C. Board			X		B.C. Board			X	
B.C. Board			X		B.B. Board			X	
Center Board			X		Board			X	
Board			X		Strip			X	
Cover Pad			X		Strip			X	
					B.B. Pad			X	

Product Code

Style Case Book Cover

Sheet Size 7 1/2 x 4 1/2 Cap.

Die No. 3940

Order No. 58750

Plate

Customer

EBSCO Medi A

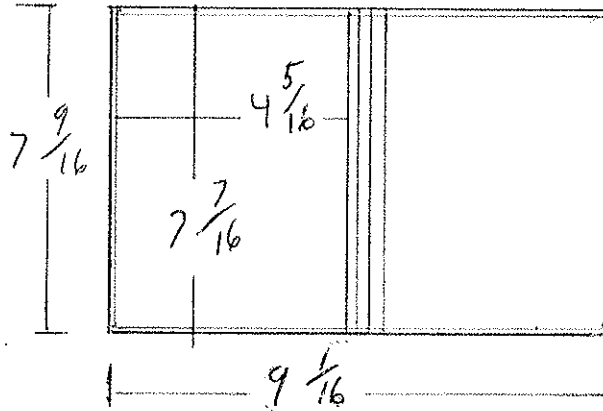
Metal	
Total Vinyl	
Quantity	400
Date	
Type Corners	Sq
Radius	Sq
Completed	

2 pcs. 1/8 bars with one piece of stainless steel



	Gauge	Thick
Tear Seal	2	272
Bar Seal	253	1/2
Bar Seal		

	No. of Feet
Tear Seal	
Bar Seal	
Bar Seal	



Code	Ga.	#	Cutting Specs		Code	Ga.	#	Cutting Specs	
			Size	Out				Size	Out
Cover Mat.			8 1/16 X	9 1/16	Lining Mat.				
Cover Mat.			X		Lining Mat.			X	
Vert. Pckt.			8 1/16	2 3/8	Horz. Pckt.			X	
Vert. Pckt.			X		Horz. Pckt.			X	
Pocket			X		Pocket			X	
Label Holder			X		Card Holder			X	
Material			X		Material			X	
Material			X		Material			X	
Material			X		Material			X	
F.C. Board			X		B.C. Board			X	
B.C. Board			X		B.B. Board			X	
Center Board			X		Board			X	
Board			X		Strip			X	
Cover Pad			X		Strip			X	
					B.B. Pad			X	

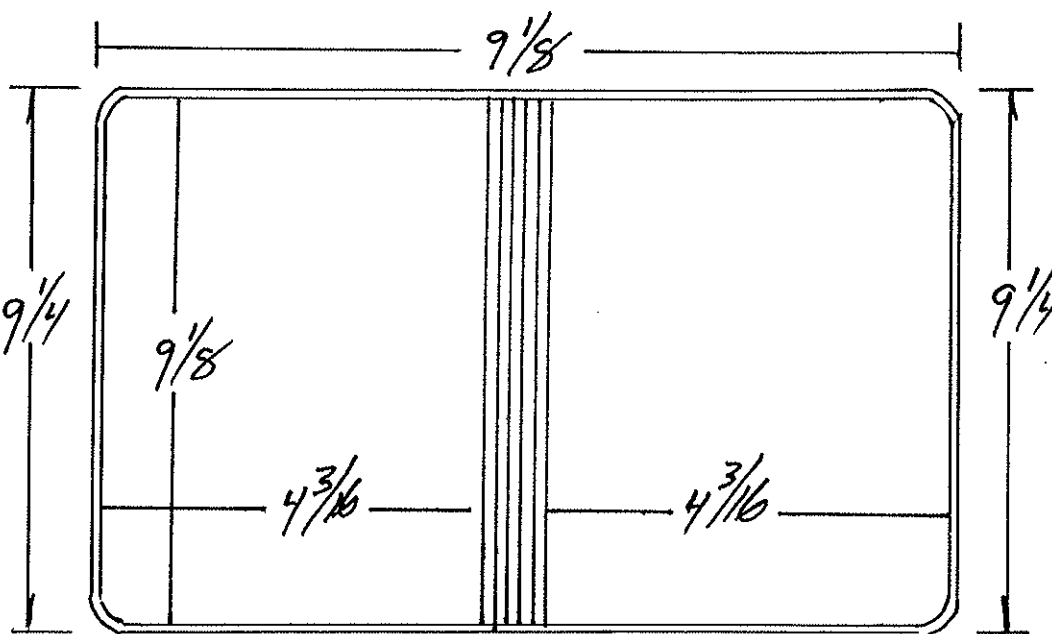
Product Code 9 1/4 x 9 1/8
open size
 Sheet Size 5 1/2 X 4 Cap.

Style Case Vinyl folder
 Die No. 4082 Order No. 960340 Plate

Customer	<u>Family Security Insurance</u>	
Metal		
Total Vinyl	<u>2.23</u>	
Quantity	<u>5</u>	
Date		
Type Corners	<u>Rd</u>	
Radius	<u>1/4</u>	
Completed		

	Gauge	Thick
Tear Seal	<u>1PT.</u>	<u>.016</u>
Bar Seal	<u>254</u>	<u>3/32</u>
Bar Seal		

	No. of Feet
Tear Seal	
Bar Seal	
Bar Seal	



Code	Ga.	# PCS	Cutting Specs		Code	Ga.	# Pcs.	Cutting Specs	
			Size	Out				Size	Out
Cover Mat.		<u>1</u>	<u>9 7/8 X 9 3/4</u>		Lining Mat.		<u>X</u>		
Cover Mat.			<u>X</u>		Lining Mat.		<u>X</u>		
Vert. Pckt.		<u>2</u>	<u>9 7/8 X 4 1/2</u>		Horz. Pckt.		<u>X</u>		
Vert. Pckt.			<u>X</u>		Horz. Pckt.		<u>X</u>		
Pocket			<u>X</u>		Pocket		<u>X</u>		
Label Holder			<u>X</u>		Card Holder		<u>X</u>		
Material			<u>X</u>		Material		<u>X</u>		
Material			<u>X</u>		Material		<u>X</u>		
Material			<u>X</u>		Material		<u>X</u>		
F.C. Board			<u>X</u>		B.C. Board		<u>X</u>		
B.C. Board			<u>X</u>		B.B. Board		<u>X</u>		
Center Board			<u>X</u>		Board		<u>X</u>		
Board			<u>X</u>		Strip		<u>X</u>		
Cover Pad			<u>X</u>		Strip		<u>X</u>		
					B.B. Pad		<u>X</u>		

5/8 4PC. 254

9/20/88

K.R.D.

Product Code

Style Case VINYL FOLDER

ACTUAL Sheet Size 9 1/4" x 5 1/4" Cap.

Die No. 4283

Order No. 963620

Plate

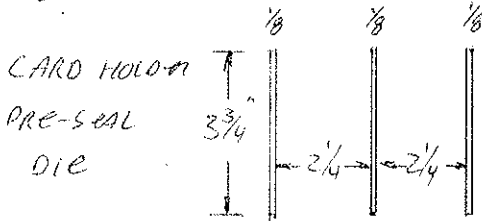
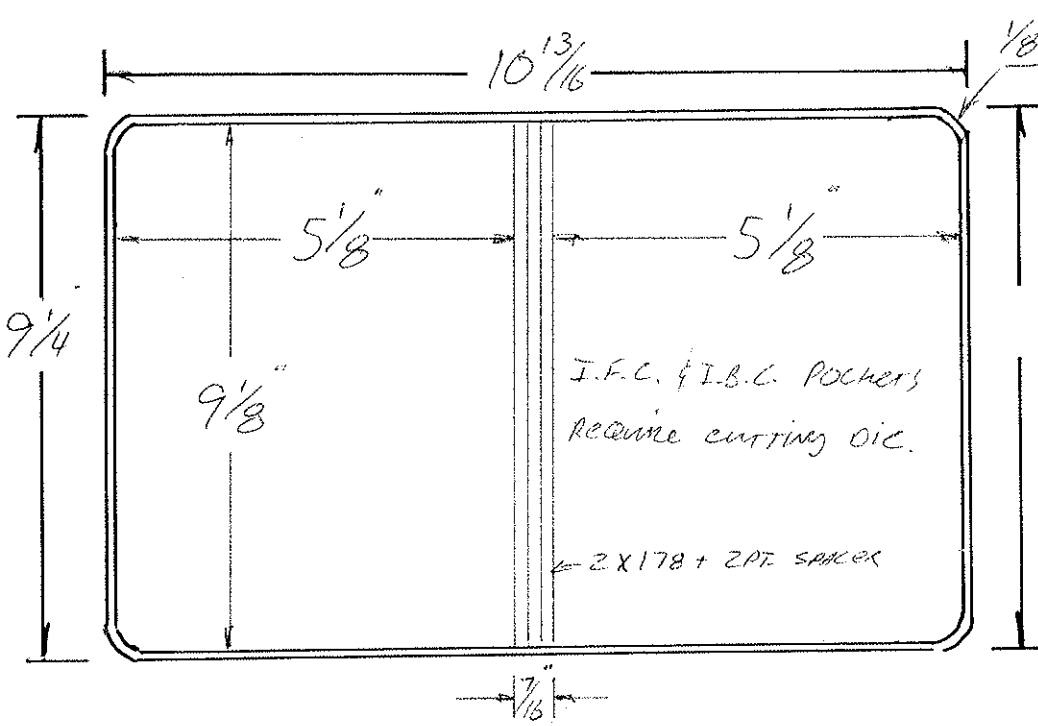
Customer

AUTOMOTIVE CONCEPTS

Metal
Total Vinyl
Quantity <u>600</u>
Date <u>9-19-89</u>
Type Corners <u>RD</u>
Radius <u>1/8"</u>
Completed

	Gauge	Thick
Tear Seal	<u>.008</u>	<u>1/16</u>
Bar Seal	<u>#178</u>	<u>1/16</u>
Bar Seal		

	No. of Feet
Tear Seal	
Bar Seal	
Bar Seal	



Code		Cutting Specs		Code		Cutting Specs			
		Ga.	# PCS	Size	Out	Ga.	# Pcs.	Size	Out
Cover Mat.	<u>10" x 11 1/2"</u>	<u>15</u>	<u>1</u>			Lining Mat.	<u>X</u>		
Cover Mat.	<u>X</u>					Lining Mat.	<u>X</u>		
Vert. Pckt.	<u>2-OUT 6 3/8" x 19 3/4"</u>	<u>15</u>	<u>1</u>			Horz. Pckt.	<u>X</u>		
Vert. Pckt.	<u>die ↑ X cut ↑</u>					Horz. Pckt.	<u>X</u>		
Pocket	<u>X</u>					Pocket	<u>X</u>		
Label Holder	<u>X</u>					Card Holder	<u>7 1/2" x 3 7/8"</u>	<u>8</u>	<u>1</u>
Material	<u>COL. 9 3/8" x 5 1/2"</u>	<u>8</u>	<u>1</u>			Material	<u>X</u>		
Material	<u>X</u>					Material	<u>X</u>		
Material	<u>X</u>					Material	<u>X</u>		
F.C. Board	<u>X</u>					B.C. Board	<u>X</u>		
B.C. Board	<u>X</u>					B.B. Board	<u>X</u>		
Center Board	<u>X</u>					Board	<u>X</u>		
Board	<u>X</u>					Strip	<u>X</u>		
Cover Pad	<u>X</u>					Strip	<u>X</u>		
						B.B. Pad	<u>X</u>		

OLD #2787

Style Case VINYL FOLDER.

Product Code

Sheet Size 10 X 4 9/16 Cap. 5/16 Die No. 4400 Order No. 965078 Plate

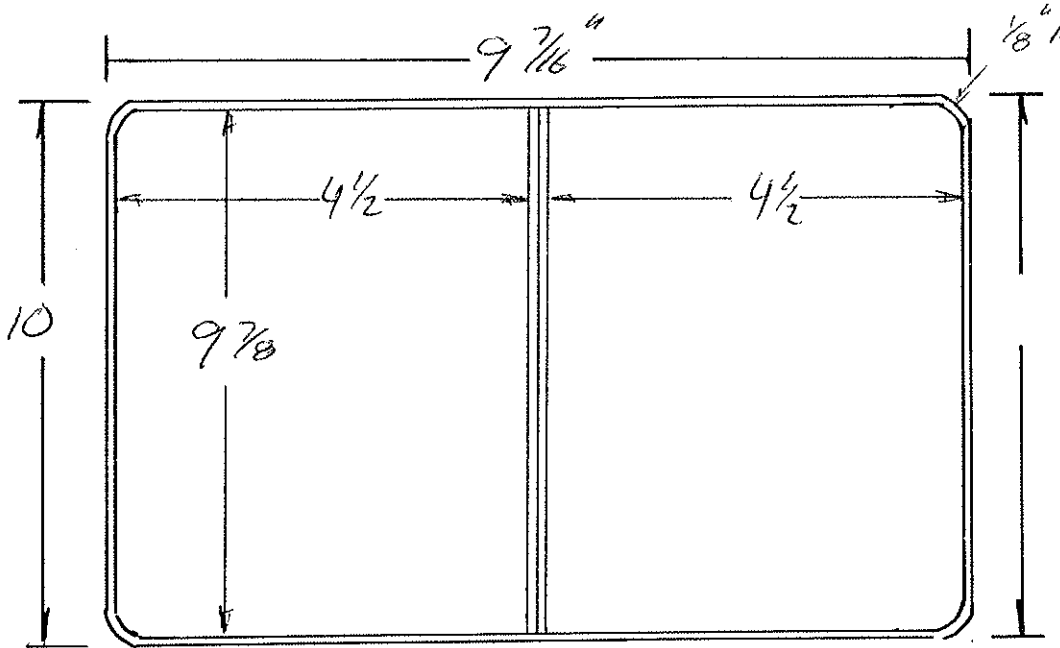
AMSOUTH BANK.

Customer

Metal
Total Vinyl
Quantity 1,000
Date 3-20-90
Type Corners
Radius 1/8"
Completed

	Gauge	Thick
Tear Seal	.014	
Bar Seal		
Bar Seal		

	No. of Feet
Tear Seal	
Bar Seal	
Bar Seal	



Size - B Inc
Check - KPV

Code		Cutting Specs				Code		Cutting Specs			
		Ga.	#	Size	Out			Ga.	#	Size	Out
Cover Mat.	10 3/4 X 10 1/4	15	1			Lining Mat.	10 3/4 X 10 1/4	15	1		
Cover Mat.	X					Lining Mat.	X				
Vert. Pckt.	X					Horz. Pckt.	X				
Vert. Pckt.	X					Horz. Pckt.	X				
Pocket	X					Pocket	X				
Label Holder C.H.	2 3/4 X 4 1/2	8	1			Card Holder	X				
Material	X					Material	X				
Material	X					Material	X				
Material	X					Material	X				
F.C. Board	X					B.C. Board	X				
B.C. Board	X					B.B. Board	X				
Center Board	X					Board	X				
Board	X					Strip	X				
Cover Pad	X					Strip	X				
						B.B. Pad	X				

Product Code

Style Case VINYL FOLDER

Sheet Size 10 1/2 x 8

Cap. 3/8

Die No. 4506

Order No. 965969

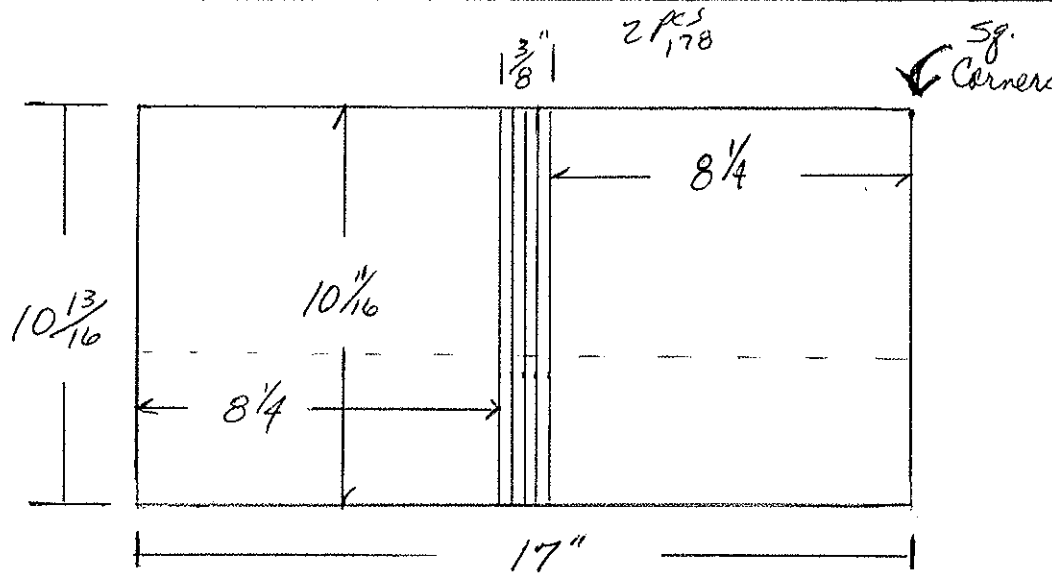
Plate

Customer

Metal
Total Vinyl
Quantity
Date
Type Corners
Radius
Completed

	Gauge	Thick
Tear Seal	.06	1/16
Bar Seal	178	1/8
Bar Seal		

	No. of Feet
Tear Seal	
Bar Seal	
Bar Seal	



Dwg by: KP

Check by: BP

Code	Ga.	# PCS	Cutting Specs		Code	Ga.	# Pcs.	Cutting Specs	
			Size	Out				Size	Out
Cover Mat. <i>Polished</i>			11 9/16	17 3/4					
Cover Mat.					Lining Mat.				
Vert. Pckt.					Horz. Pckt. <i>Polished</i>			5 3/8	17 3/4
Vert. Pckt.					Horz. Pckt.				
Pocket					Pocket				
Label Holder					Card Holder			2 3/8	4
Material					Material				
Material					Material				
Material					Material				
F.C. Board					B.C. Board				
B.C. Board					B.B. Board				
Center Board					Board				
Board					Strip				
Cover Pad					Strip				
					B.B. Pad				

OLD # 2460

Product Code

Style Case VINYL FOLDER

Sheet Size 11 X 4

Cap. 3/16

Die No. 4563

Order No. 966905

Plate

Customer

HOME BAKING CO.

Metal
Total Vinyl
Quantity
Date
Type Corners
Radius
Completed

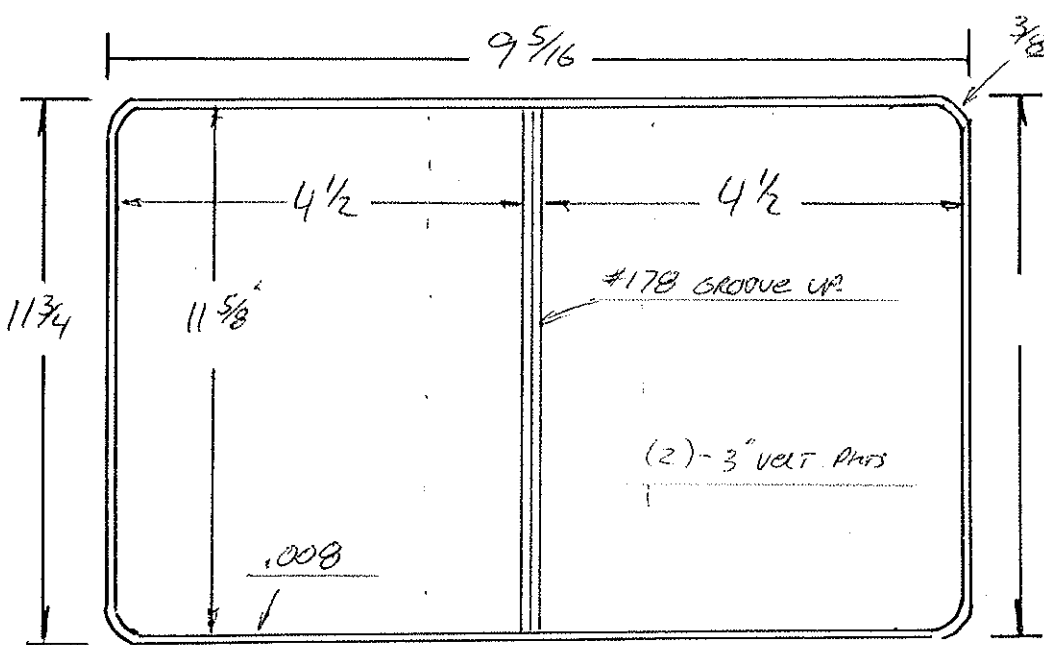
	Gauge	Thick
Tear Seal	.008	1/16
Bar Seal	#178	3/16
Bar Seal		

	No. of Feet
Tear Seal	
Bar Seal	
Bar Seal	

SIZE - B. Page

CHECK -

NP



Code	Ga.	#	Cutting Specs		Code	Ga.	#	Cutting Specs	
			Size	Out				Size	Out
Cover Mat.		12 1/4 X 10 1/8	15	1	Lining Mat.				X
Cover Mat.		X			Lining Mat.				X
Vert. Pckt.		12 1/4 X 3 3/8	8	2	Horz. Pckt.				X
Vert. Pckt.		X			Hbrz. Pckt.				X
Pocket		X			Pocket				X
Label Holder		X			Card Hlder				X
Material		X			Material				X
Material		X			Material				X
Material		X			Material				X
F.C. Board		X			B.C. Board				X
B.C. Board		X			B.B. Board				X
Center Board		X			Board				X
Board		X			Strip				X
Cover Pad		X			Strip				X
					B.B. Pad				X

Product Code

Style Case VINYL FOLDER.

Sheet Size 11 X 8 1/2 Cap. 5/8

Die No. 4697

Order No. 968269-270

Plate C-13-

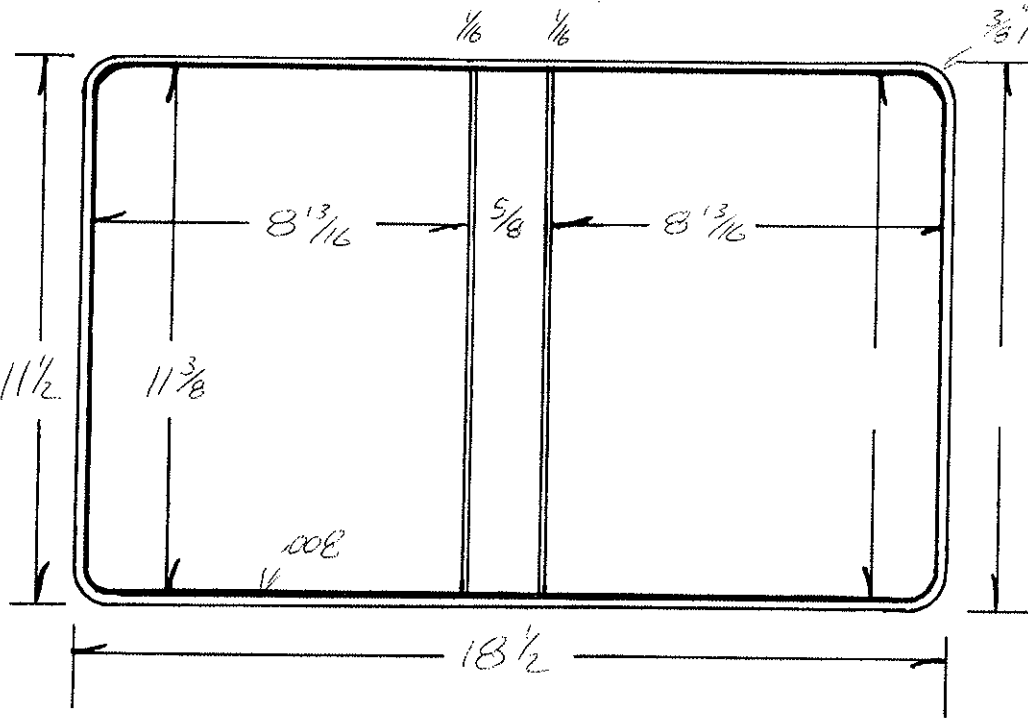
Customer

COMMERCE PRINTING CO.

Metal
Total Vinyl
Quantity 8,000 + 7,000
Date 3-25-91
Type Corners
Radius 3/8
Completed

	Gauge	Thick
Tear Seal	.008	1/16
Bar Seal	#102	1/16
Bar Seal		

	No. of Feet
Tear Seal	
Bar Seal	
Bar Seal	



Spec B face
check - *RPV*

Code	Ga.	# PCS	Cutting Specs		Code	Ga.	# Pcs.	Cutting Specs	
			Size	Out				Size	Out
Cover Mat.		12 1/4 X 19 1/4	12	1	Lining Mat.				
Cover Mat.		X			Lining Mat.				
Vert. Pckt.		X			Horz. Pckt.				
Vert. Pckt.		X			Horz. Pckt.	5 7/8 X 19 1/4	12	1	
Pocket		X			Pocket				
Label Holder		X			Card Holder				
Material		X			Material				
Material		X			Material				
Material		X			Material				
F.C. Board		X			B.C. Board				
B.C. Board		X			B.B. Board				
Center Board		X			Board				
Board		X			Strip				
Cover Pad		X			Strip				
					B.B. Pad				

Product Code

Style Case VINYL FOLDER

ACTUAL Sheet Size $6\frac{9}{16}$ X $3\frac{7}{16}$

Cap. $\frac{1}{4}$

Die No. 4899A-B

Order No. 970348

Plate D-1-1

Customer

ATC LONG DISTANCE

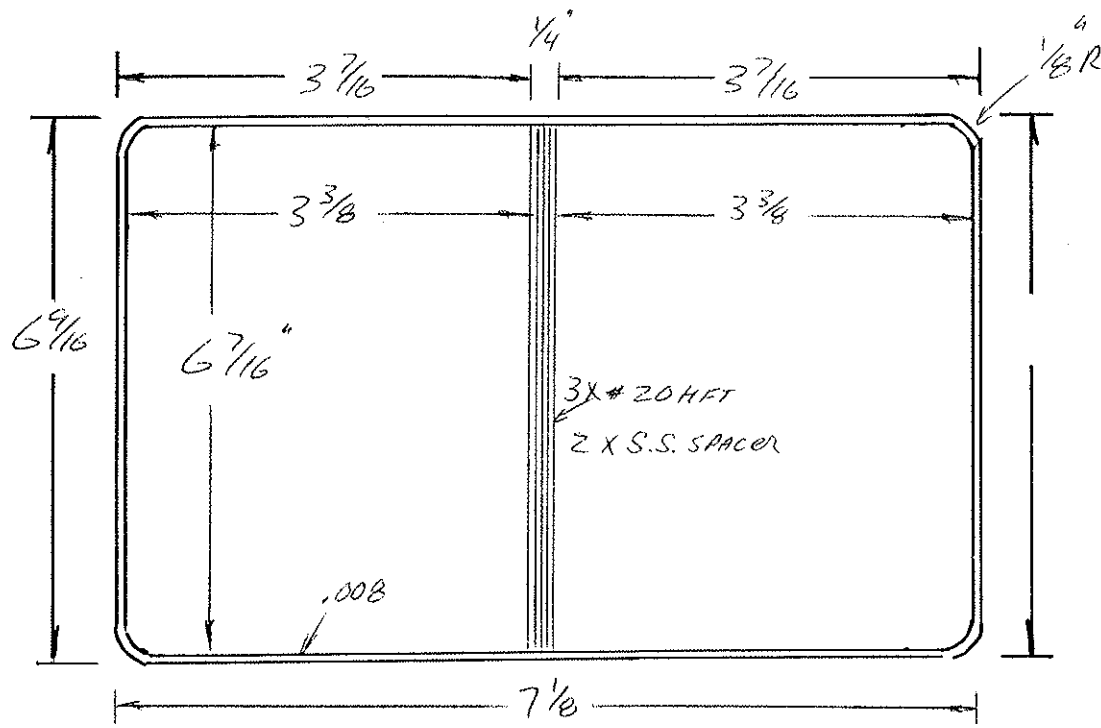
11-1

Metal
Total Vinyl
Quantity 1000
Date 10-16-61
Type Corners
Radius $\frac{1}{8}$ "
Completed

	Gauge	Thick
Tear Seal	.008	
Bar Seal		
Bar Seal		

	No. of Feet
Tear Seal	
Bar Seal	
Bar Seal	

DWG B. Pace
CHECK. *[Signature]*



	DIE	Ga.	PCS	Cutting Specs		Code	Ga.	Pcs.	Cutting Specs	
				Size	Out				Size	Out
Cover Mat.	A		14	1		Lining Mat.			X	
Cover Mat.						Lining Mat.			X	
Vert. Pckt.	A	$7\frac{3}{8}$ X $3\frac{1}{2}$	8	2		Horz. Pckt.			X	
Vert. Pckt.						Horz. Pckt.			X	
Pocket						Pocket			X	
Label Holder						Card Holder			X	
Material	B- $\frac{1}{2}$	$6\frac{1}{4}$ X $3\frac{5}{8}$		1		Material			X	
Material	B	7" X 8"		2		Material			X	
Material	B	7" X $3\frac{3}{8}$		2		Material			X	
F.C. Board						B.C. Board			X	
B.C. Board						B.B. Board			X	
Center Board						Board			X	
Board						Strip			X	
Cover Pad						Strip			X	
						B.B. Pad			X	

Product Code

Style Case CLEAR VINYL FOLDER

ACTUAL Sheet Size 10⁷/₈ x 8⁵/₁₆ Cap. 3/8

Die No. 4900

Order No. 970360

Plate D-1-2

Customer

AAA AUTO CLUB SOUTH

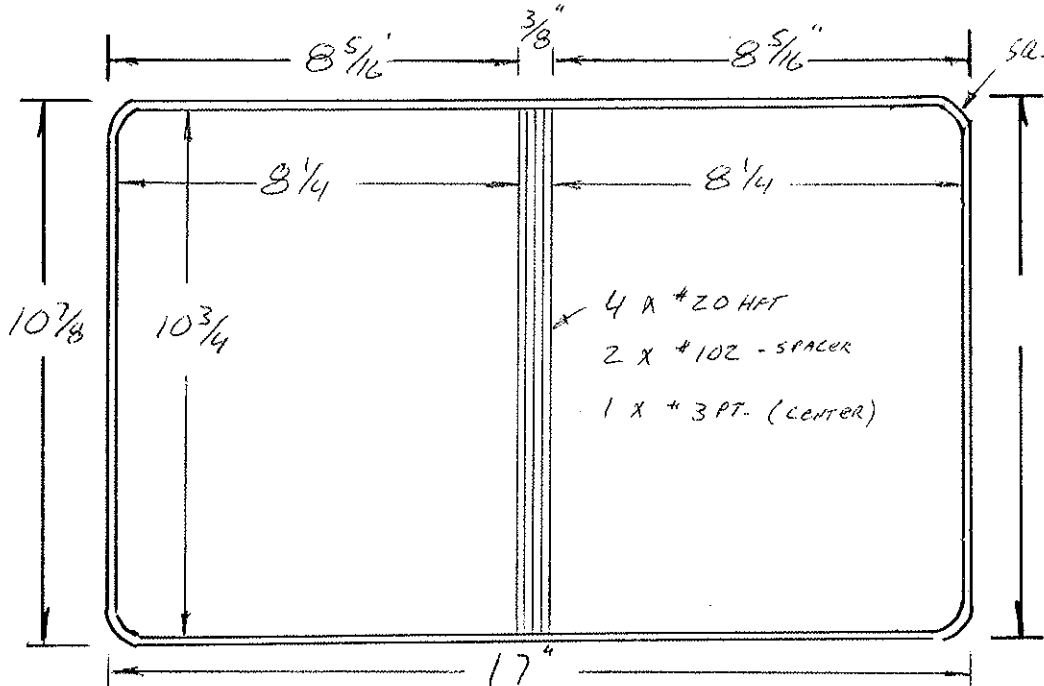
11-5

Metal
Total Vinyl
Quantity <u>500</u>
Date <u>10-21-91</u>
Type Corners
Radius <u>50</u>
Completed

	Gauge	Thick
Tear Seal	<u>.006</u>	<u>1/16</u>
Bar Seal	<u>see DWG.</u>	<u>→</u>
Bar Seal		

	No. of Feet
Tear Seal	
Bar Seal	
Bar Seal	

DWG - Black
 CHECK - KPV



Code	Ga.	# PCS	Cutting Specs		Code	Ga.	# Pcs.	Cutting Specs	
			Size	Out				Size	Out
Cover Mat.		<u>11⁵/₈ x 17³/₄</u>	<u>8</u>	<u>1</u>	Lining Mat.				
Cover Mat.		X			Lining Mat.				
Vert. Pckt.		X			Horz. Pckt.		<u>5³/₈ x 17³/₄</u>	<u>8</u>	<u>1</u>
Vert. Pckt.		X			Horz. Pckt.		X		
Pocket		X			Pocket		X		
Label Holder		X			Card Holder (STOLA)		X	<u>8</u>	<u>1</u>
Material		X			Material		X		
Material		X			Material		X		
Material		X			Material		X		
F.C. Board		X			B.C. Board		X		
B.C. Board		X			B.B. Board		X		
Center Board		X			Board		X		
Board		X			Strip		X		
Cover Pad		X			Strip		X		
					B.B. Pad		X		

Product Code

4-up
Style Case VINYL CALENDAR FOLDER

ACTUAL Sheet Size $7\frac{1}{8} \times 3\frac{9}{16}$ Cap. $\frac{3}{16}$

Die No. 4910

Order No. 970508

Plate K-5

Customer

ENBECO. / ANR PIPELINE CO. 11-15

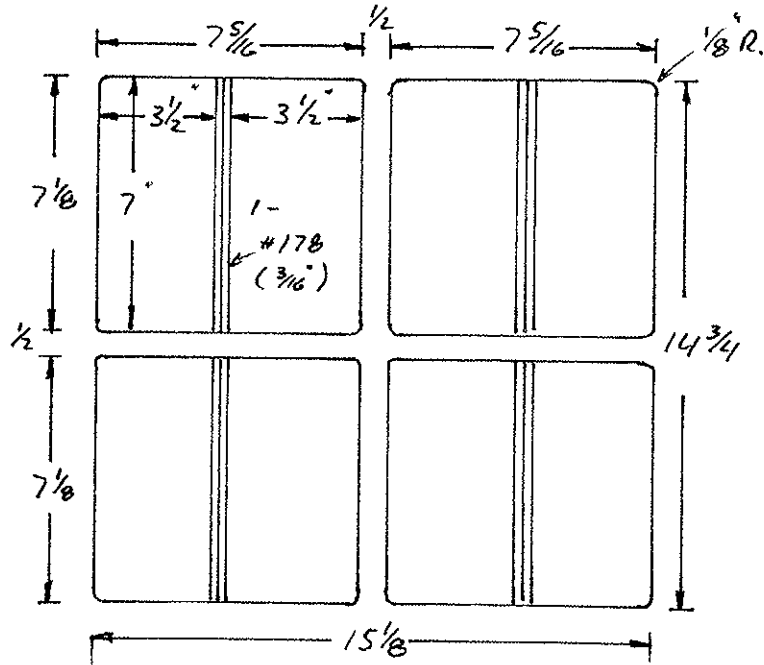
Metal	<u>NONC-</u>
Total Vinyl	
Quantity	<u>9,500</u>
Date	<u>11-4-91</u>
Type Corners	
Radius	<u>1/8</u>
Completed	

	Gauge	Thick
Tear Seal	<u>.014</u>	<u>1/16</u>
Bar Seal	<u>#178</u>	<u>3/16</u>
Bar Seal		

	No. of Feet
Tear Seal	
Bar Seal	
Bar Seal	

DWG. - B. Pace

CHECK -



Code	Ga.	PCS	Cutting Specs		Code	Ga.	Pcs.	Cutting Specs			
			Size	Out				Size	Out		
Cover Mat. <u>4-out</u>			<u>16" X 16"</u>	<u>14</u>	<u>1</u>	Lining Mat. <u>4-out</u>			<u>16" X 16</u>	<u>14</u>	<u>1</u>
Cover Mat.			X			Lining Mat.			X		
Vert. Pckt. <u>4-out</u>			<u>16" X 3 1/8</u>	<u>8</u>	<u>2</u>	Horz. Pckt.			X		
Vert. Pckt. <u>4-out</u>			<u>16" X 6</u>	<u>8</u>	<u>1</u>	Horz. Pckt.			X		
Pocket			X			Pocket			X		
Label Holder			X			Card Holder			X		
Material			X			Material			X		
Material			X			Material			X		
Material			X			Material			X		
F.C. Board			X			B.C. Board			X		
B.C. Board			X			B.B. Board			X		
Center Board			X			Board			X		
Board			X			Strip			X		
Cover Pad			X			Strip			X		
						B.B. Pad			X		

Product Code

Style Case VINYL ATLAS COVER

ACTUAL Sheet Size 6 1/4 X 3 13/16 Cap. 3/16

Die No. 4911

Order No. 970511

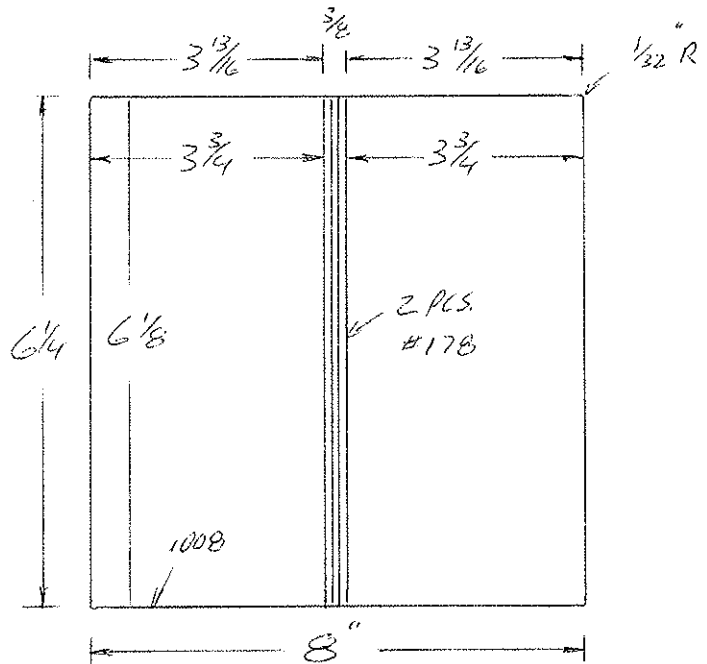
Plate D-1-7

Customer

JOHN ALDEN LIFE INSURANCE

11-29

Metal
Total Vinyl
Quantity <u>500</u>
Date <u>11-4-91</u>
Type Corners <u>Scr.</u>
Radius <u>1/32</u>
Completed



	Gauge	Thick
Tear Seal	<u>.008</u>	<u>1/16</u>
Bar Seal		
Bar Seal		

	No. of Feet
Tear Seal	
Bar Seal	
Bar Seal	

Dwg. - B. Price
 Check - KPV

Code	Cutting Specs				Code	Cutting Specs											
	Ga.	# PCS	Size	Out		Ga.	# Pcs.	Size	Out								
Cover Mat.		<u>7</u>	X <u>8 3/4</u>	<u>14</u>	<u>1</u>					Lining Mat.			X				
Cover Mat.			X							Lining Mat.			X				
Vert. Pckt.		<u>7</u>	X <u>3 3/8</u>	<u>8</u>	<u>2</u>					Horz. Pckt.			X				
Vert. Pckt.			X							Horz. Pckt.			X				
Pocket			X							Pocket			X				
Label Holder			X							Card Holder			X				
Material			X							Material			X				
Material			X							Material			X				
Material			X							Material			X				
F.C. Board			X							B.C. Board			X				
B.C. Board			X							B.B. Board			X				
Center Board			X							Board			X				
Board			X							Strip			X				
Cover Pad			X							Strip			X				
										B.B. Pad			X				

Product Code

Style Case 8-UP CALENDAR HOLDER

Sheet Size 6 1/2 x 7 5/8 Cap. 1/8

Die No. 5110

Order No. 972528

Plate K-6-2

Customer

JC PENNEY SERVICES

10-1

Metal
Total Vinyl
Quantity
Date <u>7-2-92</u>
Type Corners
Radius
Completed

SEE DWGS.

	Gauge	Thick
Tear Seal		
Bar Seal		
Bar Seal		

	No. of Feet
Tear Seal	
Bar Seal	
Bar Seal	

Dwgs B. Pace

CHECK.

8-UP

Code	Ga.	# PCS	Cutting Specs		Code	Ga.	# Pcs.	Cutting Specs	
			Size	Out				Size	Out
Cover Mat.			<u>16 1/4 x 27 1/2</u>	<u>12 1</u>	Lining Mat.			X	
Cover Mat.			<u>X * FULL</u>		Lining Mat.			X	
Vert. Pckt.			<u>7 1/4 x 27 1/2</u>	<u>8 1</u>	Horz. Pckt.			X	
Vert. Pckt.			<u>3 3/8 x 27 1/2</u>	<u>8 2</u>	Horz. Pckt.			X	
Pocket			X		Pocket			X	
Label Holder			X		Card Holder			X	
Material			X		Material			X	
Material			X		Material			X	
Material			X		Material			X	
F.C. Board			X		B.C. Board			X	
B.C. Board			X		B.B. Board			X	
Center Board			X		Board			X	
Board			X		Strip			X	
Cover Pad			X		Strip			X	
					B.B. Pad			X	

Product Code

Style Case

Vinyl Folder

Sheet Size 8 7/8" x 8 1/4" Cap.

Die No. 5380

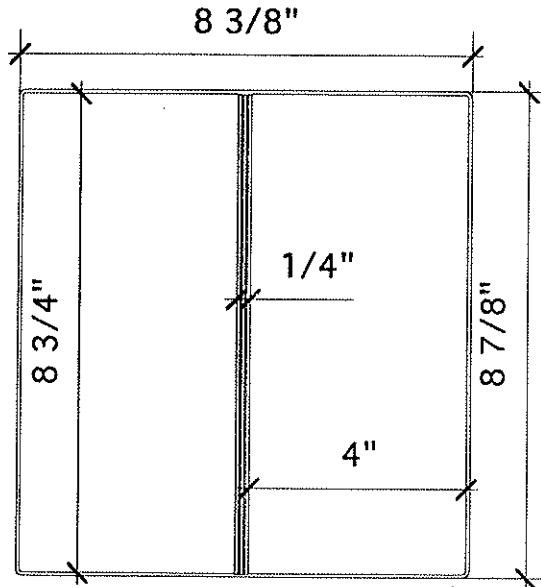
Order No. 975646

Plate E4-3

Customer

Pracan

Metal
Total Vinyl
Quantity 2000
Date 7-20-93
Type Corners Sq
Radius 0
Completed



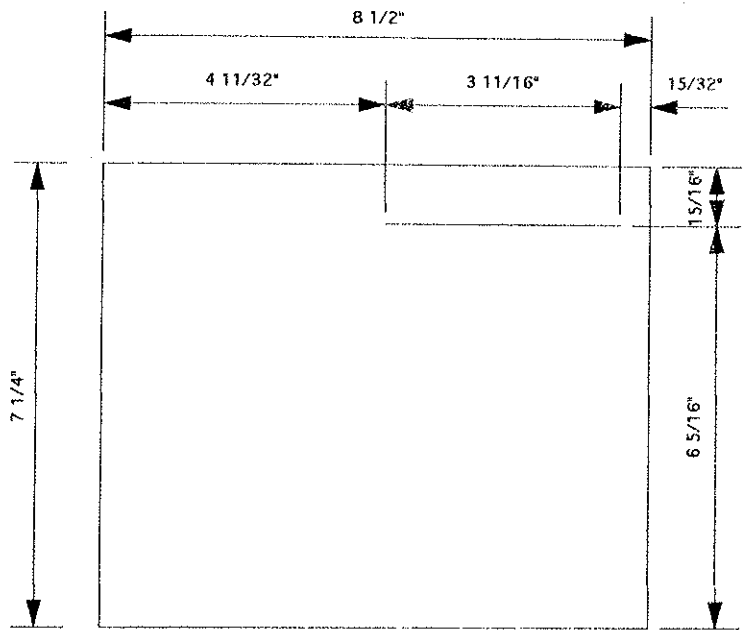
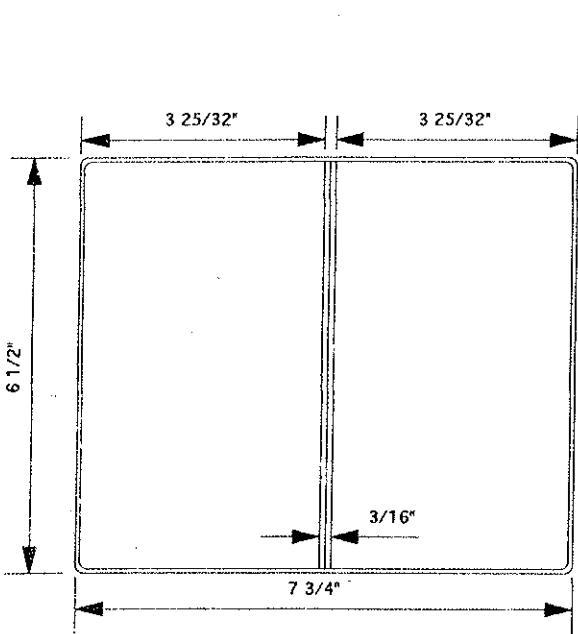
SQUARE CORNERS

	Gauge	Thick
Tear Seal		
Bar Seal		
Bar Seal		

	No. of Feet
Tear Seal	
Bar Seal	
Bar Seal	

Code	Ga.	#	PCS	Cutting Specs		Code	Ga.	#	Pcs.	Cutting Specs	
				Size	Out					Size	Out
Cover Mat.			1	9 5/8	X 9 1/8	Lining Mat.			X		
Cover Mat					X	Lining Mat.			X		
Vert. Pckt.					X	Horz. Pckt.			X		
Vert. Pckt.			2	9 3/8	X 4 1/4	Horz. Pckt.			X		
Pocket					X	Pocket			X		
Label Holder					X	Card Holder			X		
Material					X	Material			X		
Material					X	Material			X		
Material					X	Material			X		
F.C. Board					X	B.C. Board			X		
B.C. Board					X	B.B. Board			X		
Center Board					X	Board			X		
Board					X	Strip			X		
Cover Pad					X	Strip			X		
						B.B. Pad			X		

DIE # 5461		STYLE CASE VINYL FOLDER			LOCATION	
SHEET SIZE 6 X 3 1/2			CAP. 1/4		ORDER # 66696	
CUSTOMER EBSCO MEDIA				DUE DATE		
QUANTITY		RADIUS		TEAR SEAL	.012	
DATE		COMPLETED		BAR SEAL	178	



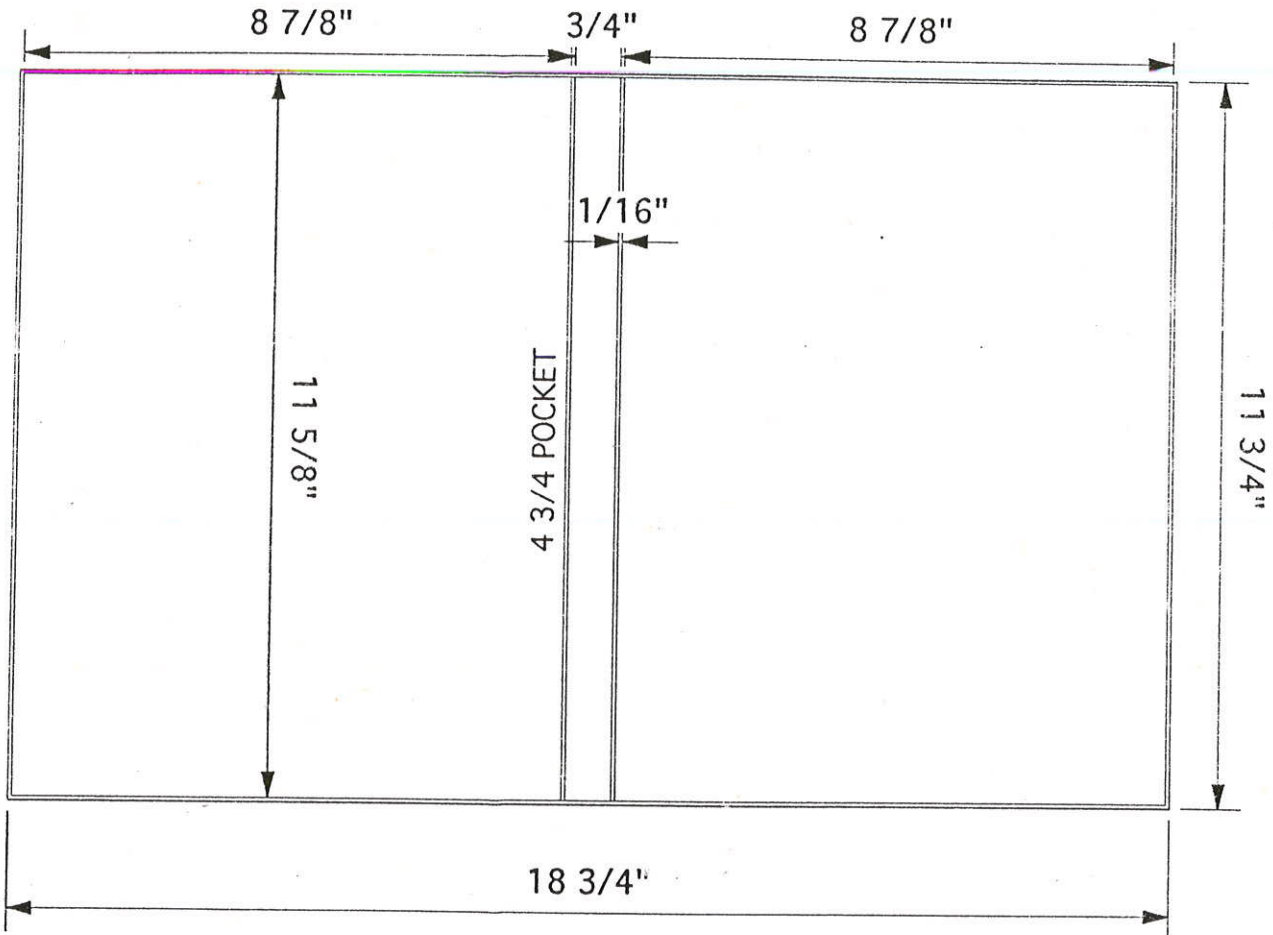
MATERIAL SPECS

GA PCS

GA PCS

COVER MATL	7 1/4 X 8 1/2	1	LINING	8 1/4 X 9 1/2	1
COVER MATL			LINING		
VERT PKT	7 1/4 X 4	1	HORZ PKT		

DIE # 5491		STYLE CASE Vinyl Folder		LOCATION	
SHEET SIZE 11 x 8 1/2 + 1/2		CAP. 3/4		ORDER # 976894	
CUSTOMER COLAD				DUE DATE	
QUANTITY	2500	RADIUS		TEAR SEAL	.008
DATE	12-28-93	COMPLETED		BAR SEAL	102



MATERIAL SPECS

GA PCS

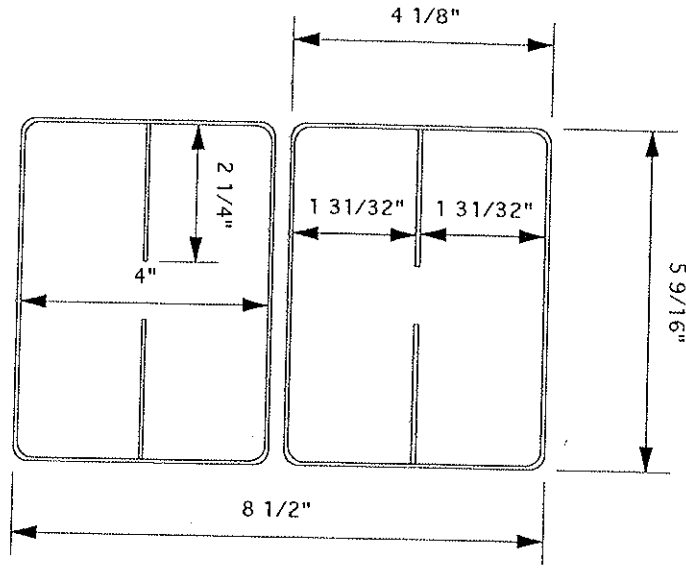
GA PCS

COVER MATL	12 1/2 X 19 1/2	1	LINING		
COVER MATL			LINING		
VERT PKT			HORZ PKT	5 3/8 X 19 1/2	1
VERT PKT			HORZPKT		
CARD HOLDER			DIAGONAL PKT		

BOARD SPECS

F.C. BOARD		F.C. BOARD		
B.B. BOARD		B.B. BOARD		
B.C. BOARD		B.C. BOARD		
BU STRIP				

DIE # 5620		STYLE CASE VINYL FOLDER W/PKTS		LOCATION E-12-	
SHEET SIZE 5 9/16 X 4 1/8		CAP.		ORDER # 68501	
CUSTOMER NSC INTERNATIONAL				DUE DATE 7-26-94	
QUANTITY	1000	RADIUS	1/4	TEAR SEAL	.008 STICHED
DATE		COMPLETED		BAR SEAL	1/16 STICHED



MATERIAL SPECS

GA PCS

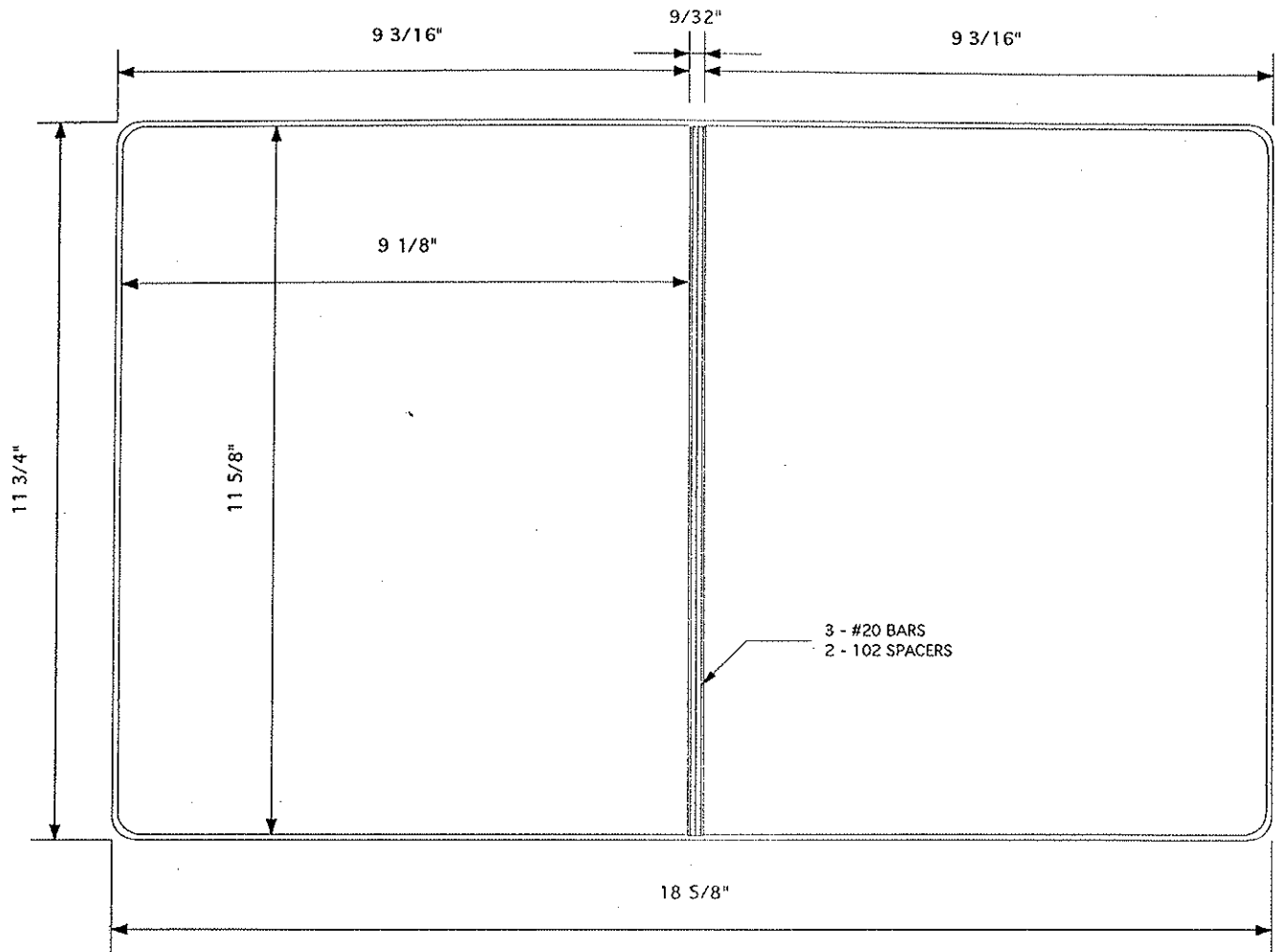
GA

COVER MATL	6 5/16 X 9 1/4	1	LINING	
COVER MATL			LINING	
VERT PKT			HORZ PKT	2 11/16 X 9 1/4
VERT PKT			HORZPKT	
CARD HOLDER			DIAGONAL PKT	
COL			LABEL HOLDER	
EX COL			GUSSET	
			REINF	

BOARD SPECS

F.C. BOARD		F.C. BOARD	
B.B. BOARD		B.B. BOARD	
B.C. BOARD		B.C. BOARD	
BU STRIP			

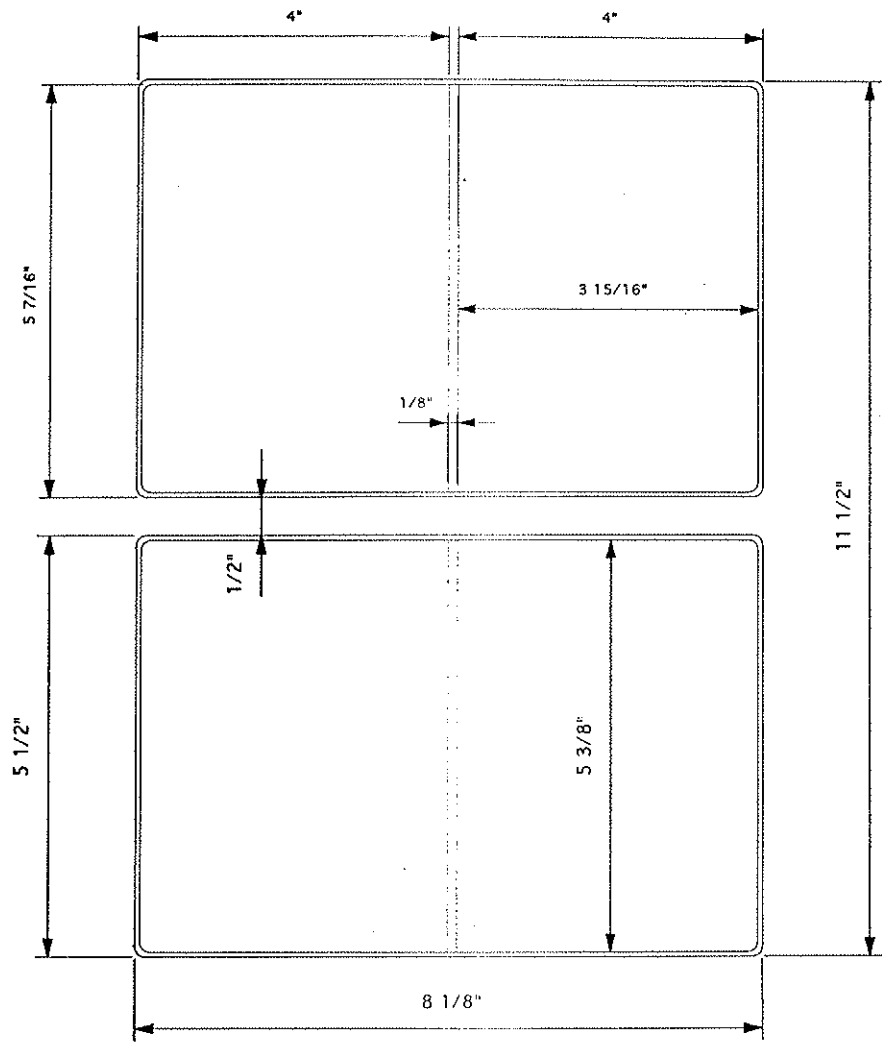
DIE #	5856	METAL		RADIUS	3/8
ORDER #	981734	CUSTOMER	SOUTHERN SECURITY LIFE	TEAR SEAL	.012
SHEET SIZE		STYLE CASE	VINYL PORTFOLIO	BAR SEAL	20
CAP.		DUE DATE	6-27-95	COMPLETED	
LOCATION	F-7-7	QUANTITY	1500	DATE	6-15-95



MATERIAL SPECS		GAUGE		PCS.		MATERIAL SPECS		GAUGE	
COVER MAT.	12 1/4 X 19 3/8			1		LINING MAT.			
COVER MAT.						LINING MAT.			
DIE CUT						HORZ. PKT.			
COL						VERT. PKT.	12 1/4 X 8 7/8		
LABEL HOLDER						DIE CUT			
GUSSET						REINF.			

BOARD SPECS		GAUGE		PCS.		BOARD SPECS		GAUGE	
F.C. BOARD						F.C. BOARD			
B.B. BOARD						B.B. BOARD			
B.C. BOARD						B.C. BOARD			
B.U. STRIP						DIE CUT			
DIE CUT						DIE CUT			

DIE #	5932	METAL		RADIUS	1/8
ORDER #	982784	CUSTOMER	COPPINGER GRAPHICS	TEAR SEAL	.012
SHEET SIZE		STYLE CASE	VINYL FOLDER	BAR SEAL	253
CAP.		DUE DATE	10-23-95	COMPLETED	
LOCATION		QUANTITY	200	DATE	10-12-95

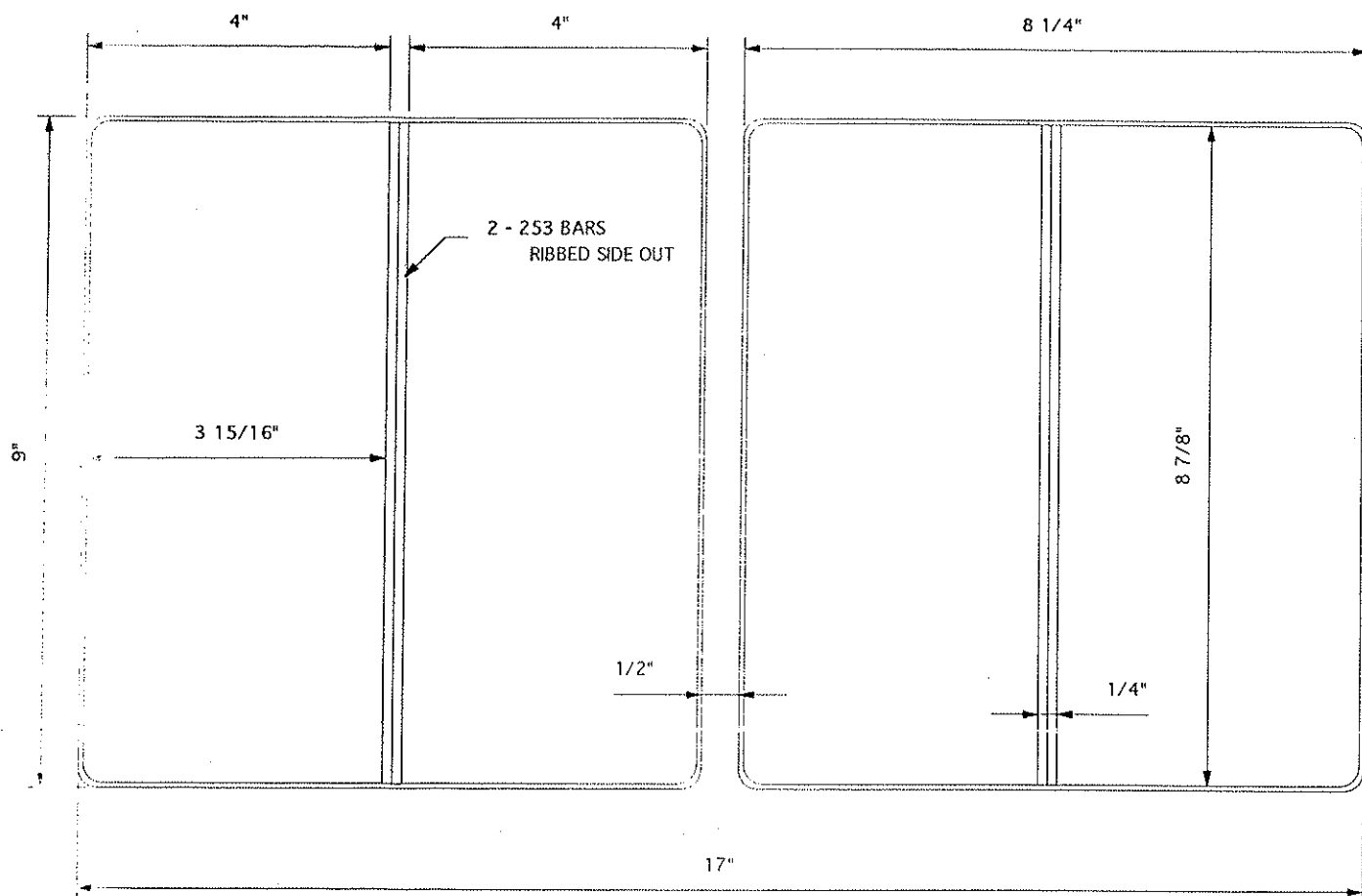


*2-up
Die*

MATERIAL SPECS		GAUGE		PCS.		MATERIAL SPECS		GAUGE		PCS.	
COVER MAT.	12 1/4 X 8 7/8	2 OUT	1	LINING MAT.	12 1/4 X 8 7/8	2 OUT	1				
COVER MAT.				LINING MAT.							
DIE CUT				HORZ. PKT.							
COL				VERT. PKT.	12 1/4 X 3 3/8	2 OUT	2				
LABEL HOLDER				DIE CUT							
GUSSET				REINF.							

BOARD SPECS		GAUGE		PCS.		BOARD SPECS		GAUGE		PCS.	
F.C. BOARD				F.C. BOARD							
B.B. BOARD				B.B. BOARD							
B.C. BOARD				B.C. BOARD							
B.U. STRIP				DIE CUT							
DIE CUT				DIE CUT							

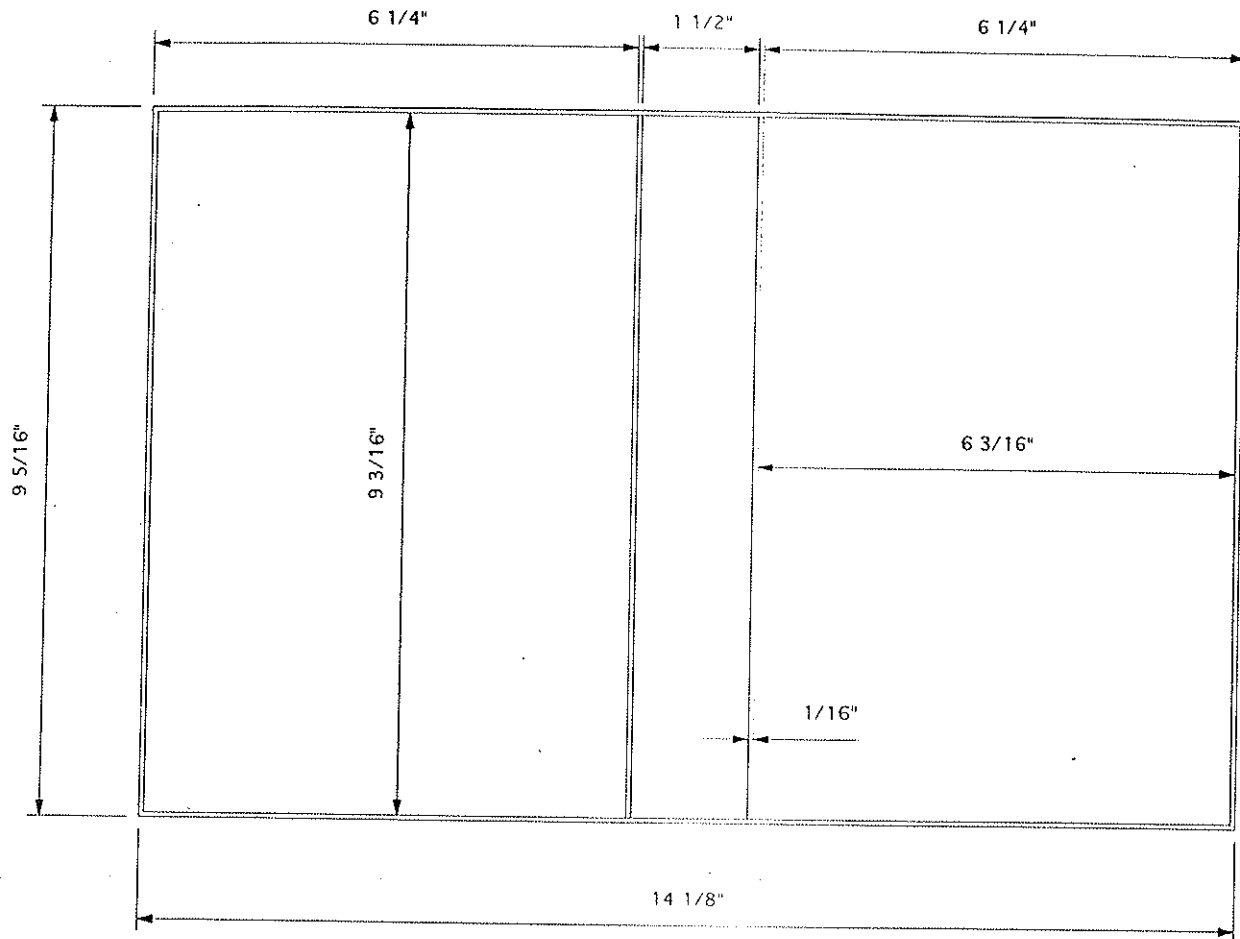
DIE #	5981-R	METAL		RADIUS	1/4
ORDER #	72555	CUSTOMER	UNLIMITED GRAPHICS	TEAR SEAL	.014
SHEET SIZE	9 X 4	STYLE CASE	2 UP VINYL POCKET FOLDER	BAR SEAL	253 RIBBED
CAP.		DUE DATE	2-2-96	COMPLETED	
LOCATION	F-4-8	QUANTITY	1000	DATE	1-25-96



MATERIAL SPECS		GAUGE		PCS.		MATERIAL SPECS		GAUGE		PCS.	
COVER MAT.	9 3/4 X 17 3/4			1		LINING MAT.					
COVER MAT.						LINING MAT.					
DIE CUT						HORZ. PKT.					
COL.	9 1/4 X 17 3/4			1		VERT. PKT.	5 1/8 X 17 3/4				
LABEL HOLDER						VERT. PKT.	4 5/8 X 17 3/4	CLEAR			
GUSSET						REINF.					

BOARD SPECS		GAUGE		PCS.		BOARD SPECS		GAUGE		PCS.	
F.C. BOARD						F.C. BOARD					
B.B. BOARD						B.B. BOARD					
B.C. BOARD						B.C. BOARD					
B.U. STRIP						DIE CUT					
DIE CUT						DIE CUT					

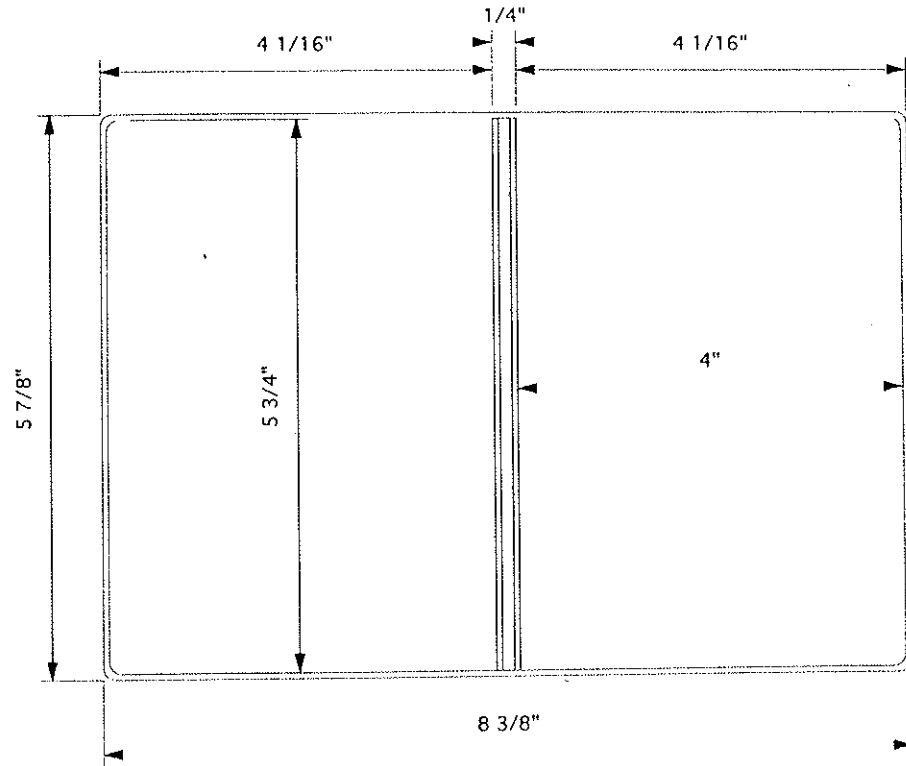
DIE #	6074	METAL		RADIUS	NONE
ORDER #	73491	CUSTOMER	WESTWOOD CHURCH OF CHRIST	TEAR SEAL	.008
SHEET SIZE	OA 9 5/16 X 6 1/4	STYLE CASE	VINYL HYMNBOOK COVER	BAR SEAL	102
CAP.	1 1/2"	DUE DATE	6-17-96	COMPLETED	
LOCATION	G-6-2	QUANTITY	300	DATE	6-5-96



MATERIAL SPECS		GAUGE		MATERIAL SPECS		GAUGE	
COVER MAT.	10 X 14 7/8		1	LINING MAT.			
COVER MAT.				LINING MAT.			
DIE CUT				HORZ. PKT.			
COL				VERT. PKT.	10 X 3 3/8		1
LABEL HOLDER				DIE CUT			
GUSSET				REINF.			

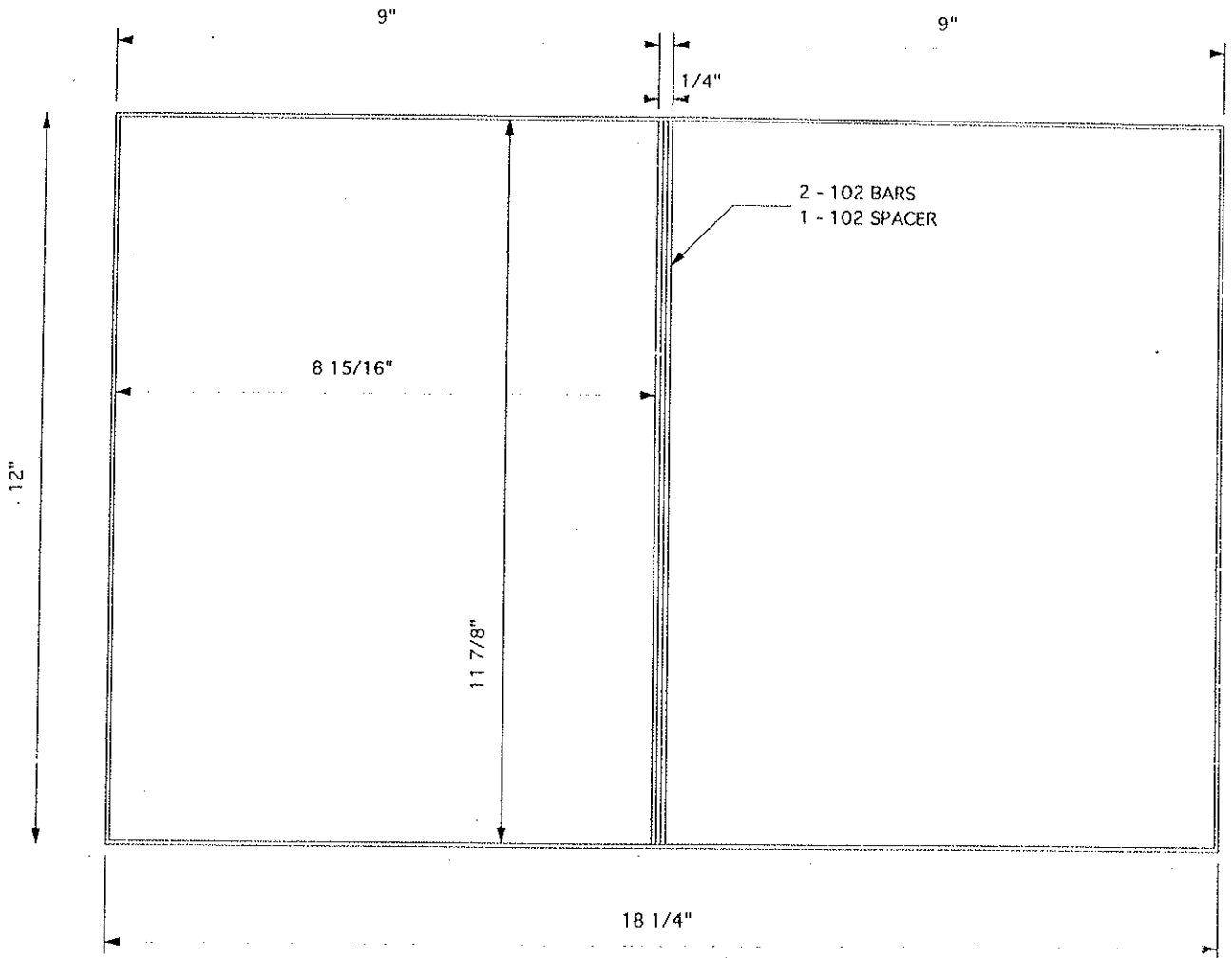
BOARD SPECS		GAUGE		BOARD SPECS		GAUGE	
F.C. BOARD				F.C. BOARD			
B.B. BOARD				B.B. BOARD			
B.C. BOARD				B.C. BOARD			
FLAP BD.				DIE CUT			
BOARD				DIE CUT			

DIE #	6166-R	METAL		RADIUS	1/8
ORDER #	987245	CUSTOMER	NEW WAY PHOTO'S	TEAR SEAL	.012
SHEET SIZE		STYLE CASE	VINYL FOLDER	BAR SEAL	
CAP.		DUE DATE	5-30-95	COMPLETED	
LOCATION	T-4	QUANTITY	500	DATE	5-19-95



MATERIAL SPECS		GAUGE		PCS.		MATERIAL SPECS		GAUGE	
COVER MAT.	6 5/8 X 9 1/8			1		LINING MAT.	6 5/8 X 9 1/8		
COVER MAT.						LINING MAT.			
DIE CUT						HORZ. PKT.			
COL						VERT. PKT.	6 5/8 X 2 7/8		
LABEL HOLDER						DIE CUT			
GUSSET						REINF.			
BOARD SPECS		GAUGE		PCS.		BOARD SPECS		GAUGE	
F.C. BOARD						F.C. BOARD			
B.B. BOARD						B.B. BOARD			
B.C. BOARD						B.C. BOARD			
B.U. STRIP						DIE CUT			
DIE CUT						DIE CUT			

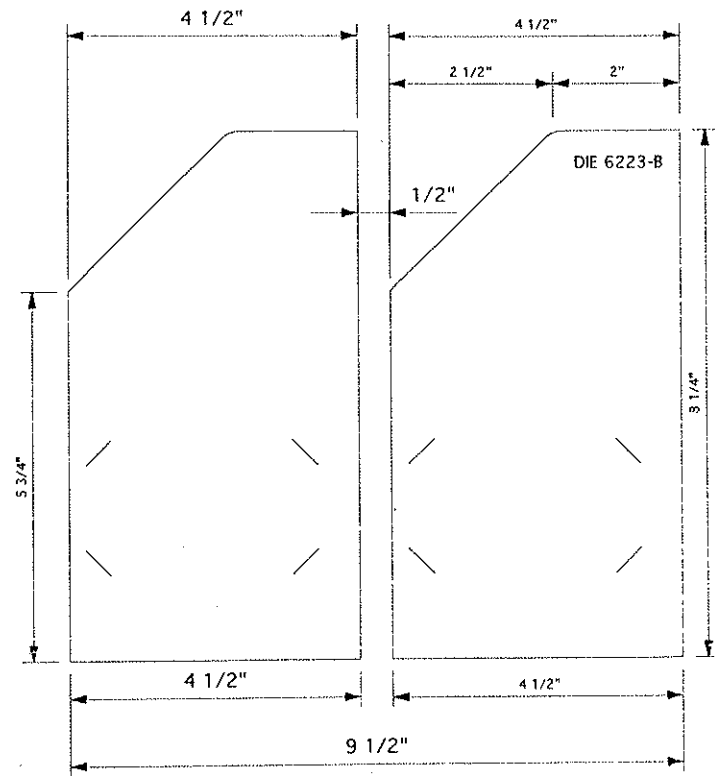
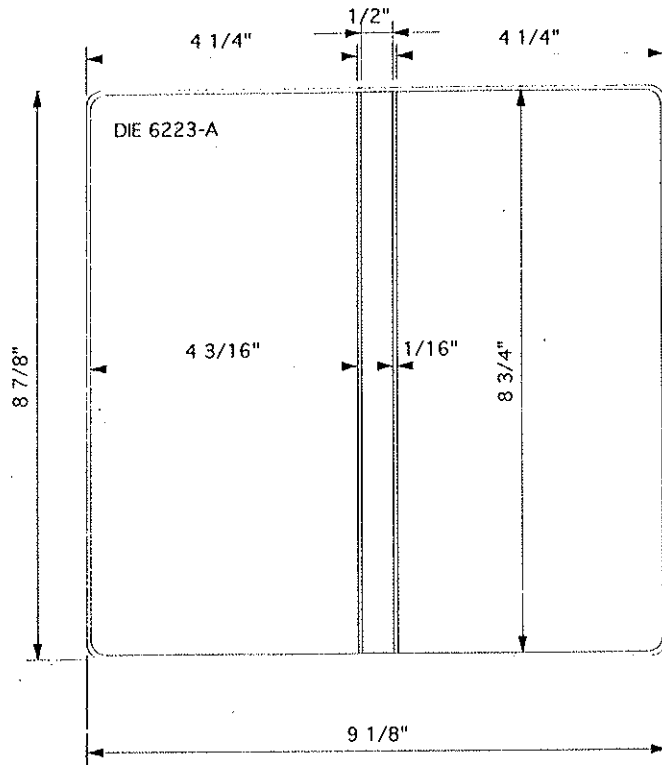
DIE #	6190	METAL	NONE	RADIUS	
ORDER #	74886	CUSTOMER	PACE COMMUNICATIONS	TEAR SEAL	.012
SHEET SIZE	11 X 8 1/2	STYLE CASE	CLEAR VINYL FOLDER	BAR SEAL	102
CAP.	1/4"	DUE DATE	2-12-97	COMPLETED	
LOCATION	H-7-4	QUANTITY	3500	DATE	1-27-97



MATERIAL SPECS		GAUGE		PCS.		MATERIAL SPECS		GAUGE		PCS.	
COVER MAT.	12 3/4 X 19			1		LINING MAT.					
COVER MAT.						LINING MAT.					
DIE CUT	12 X 20	DIECUT 6190-A	1 OUT	1		HORZ. PKT.					
COL						VERT. PKT.					
LABEL HOLDER						DIE CUT					
GUSSET						REINF.					

BOARD SPECS		GAUGE		PCS.		BOARD SPECS		GAUGE		PCS.	
F.C. BOARD						F.C. BOARD					
B.B. BOARD						B.B. BOARD					
B.C. BOARD						B.C. BOARD					
FLAP BD.						DIE CUT					
BOARD						DIE CUT					

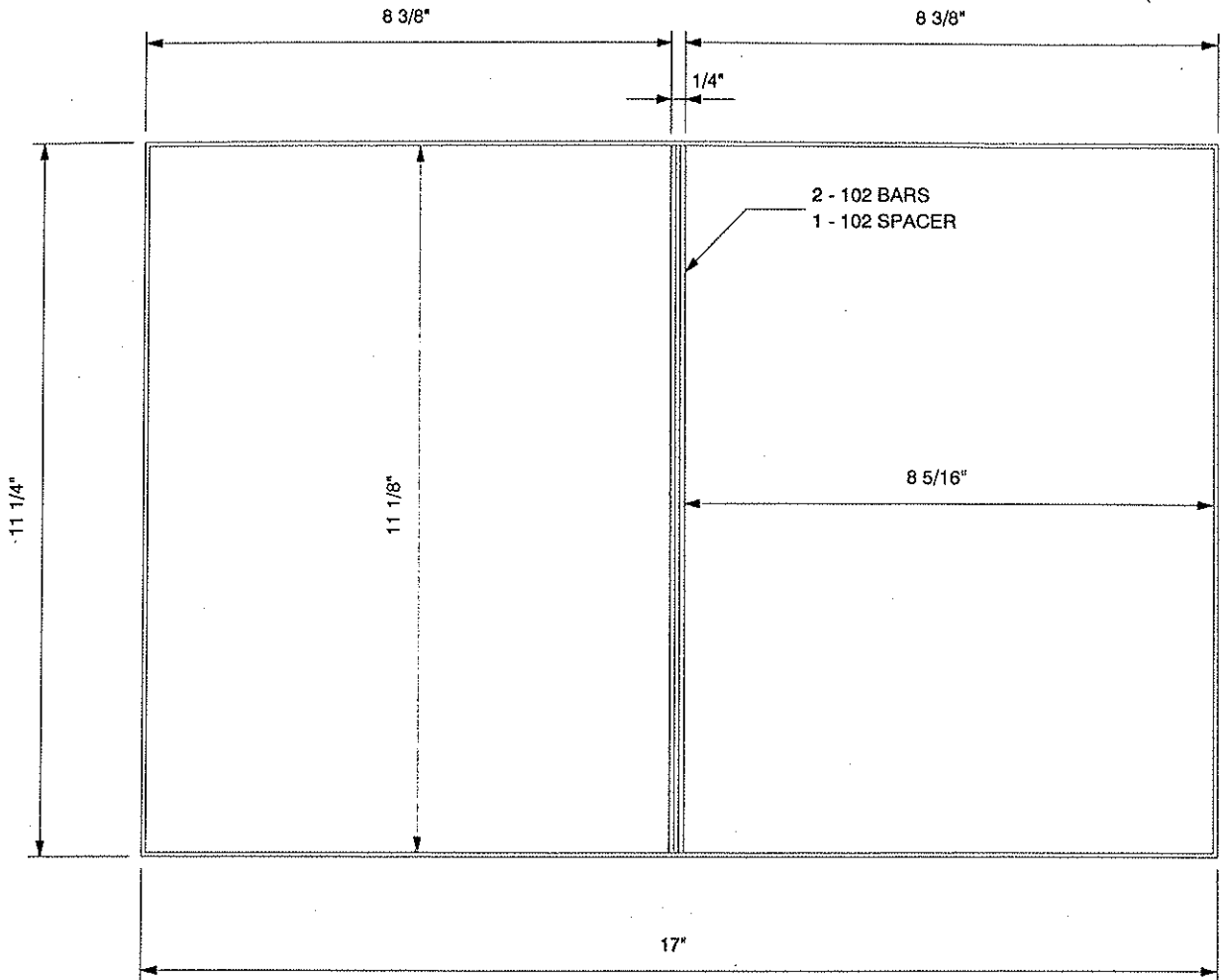
DIE #	6223 A-B	METAL		RADIUS	3/8"
ORDER #	986782	CUSTOMER	COAST TO COAST	TEAR SEAL	.010
SHEET SIZE	8 1/2 X 4	STYLE CASE	VINYL FOLDER	BAR SEAL	102
CAP.	1/2"	DUE DATE	4-8-97	COMPLETED	
LOCATION	H-5-9	QUANTITY	3000	DATE	3-25-97



MATERIAL SPECS		GAUGE	PCS.	MATERIAL SPECS		GAUGE	PCS.
COVER MAT.	9 7/8 X 10 1/8		1	LINING MAT.	9 5/8 X 9 7/8		1
COVER MAT.				LINING MAT.			
DIE CUT				HORZ. PKT.			
COL				VERT. PKT.	9 5/8 X 3 3/8		1
LABEL HOLDER				DIE CUT	9 1/4 X 10 1/2	2 OUT	6223-B
GUSSET				REINF.			

BOARD SPECS		GAUGE	PCS.	BOARD SPECS		GAUGE	PCS.
F.C. BOARD				F.C. BOARD			
B.B. BOARD				B.B. BOARD			
B.C. BOARD				B.C. BOARD			
FLAP BD.				DIE CUT			
BOARD				DIE CUT			

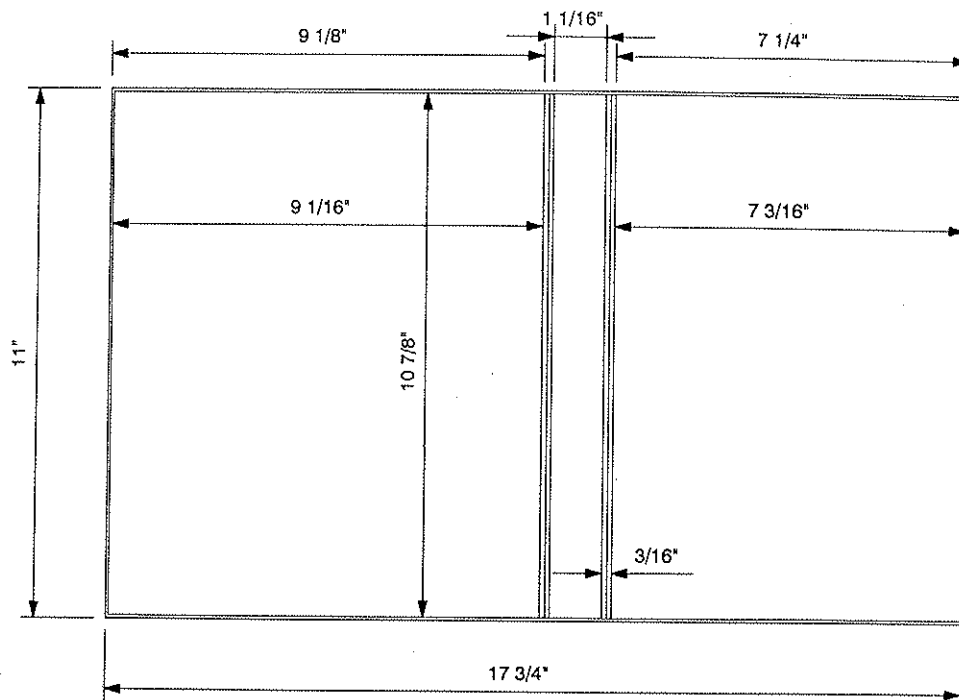
DIE #	6363	METAL	NONE	RADIUS	
ORDER #	776777	CUSTOMER	T P G INC	TEAR SEAL	.012
SHEET SIZE	OA- 11 1/4 X 17	STYLE CASE	CLEAR VINYL FOLDER	BAR SEAL	102
CAP.	1/4"	DUE DATE	10-22-97	COMPLETED	
LOCATION	I-1-9	QUANTITY	2000	DATE	10-28-97



MATERIAL SPECS		GAUGE		PCS.		MATERIAL SPECS		GAUGE		PCS.	
COVER MAT.	12 X 17 3/4			1		LINING MAT.					
COVER MAT.						LINING MAT.					
DIE CUT	10 7/8 X 18 3/4	1 OUT	DIECUT 6363-A	1		HORZ. PKT.					
COL						VERT. PKT.					
LABEL HOLDER						DIE CUT					
GUSSET						REINF.					

BOARD SPECS		GAUGE		PCS.		BOARD SPECS		GAUGE		PCS.	
F.C. BOARD						F.C. BOARD					
B.B. BOARD						B.B. BOARD					
B.C. BOARD						B.C. BOARD					
FLAP BD.						DIE CUT					
BOARD						DIE CUT					

DIE #	6369-R	METAL		RADIUS	NONE
ORDER #	988536	CUSTOMER	SARI KRYSSTOFIK	TEAR SEAL	.014
SHEET SIZE	11 X 8 1/2	STYLE CASE	SAMPLE	BAR SEAL	178
CAP.		DUE DATE	11-7-97	COMPLETED	
LOCATION	1-6-5	QUANTITY	2	DATE	11-6-97

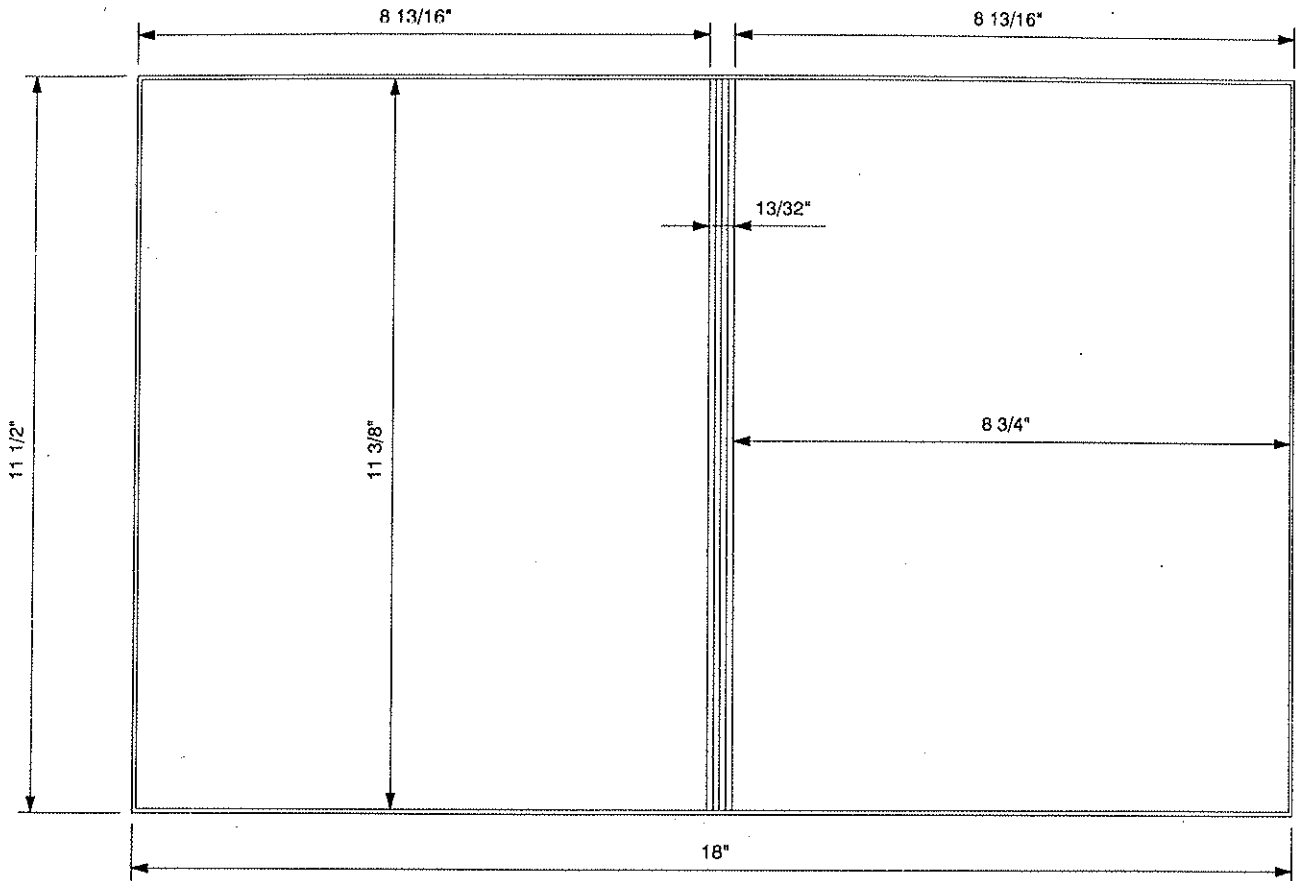


MATERIAL SPECS		GAUGE		PCS.		MATERIAL SPECS		GAUGE	
COVER MAT.	11 3/4 X 10 15/16			1		LINING MAT.	11 3/4 X 8 11/16		
COVER MAT.	VINYL					LINING MAT.	CLEAR		
DIE CUT						HORZ. PKT.			
COL						VERT. PKT.			
LABEL HOLDER						DIE CUT			
GUSSET						REINF.			

BOARD SPECS		GAUGE		PCS.		BOARD SPECS		GAUGE	
F.C. BOARD						F.C. BOARD			
B.B. BOARD						B.B. BOARD			
B.C. BOARD						B.C. BOARD			
FLAP BD.						DIE CUT			
BOARD						DIE CUT			

DIE #	6447-R	METAL		RADIUS	1/8"
ORDER #	989409	CUSTOMER	ALTIMAX ADVERTISING	TEAR SEAL	.008
SHEET SIZE	10 7/8 X 8 3/8	STYLE CASE	VINYL FOLDER	BAR SEAL'	178
CAP.	3/8"	DUE DATE	3-20-98	COMPLETED	
LOCATION	G-7-5	QUANTITY	250	DATE	3-24-98

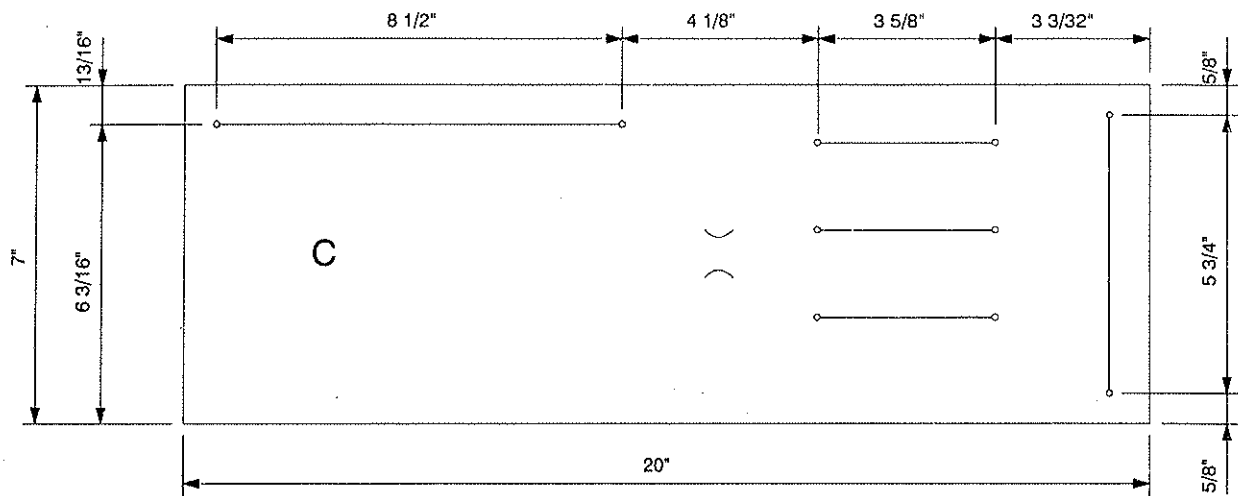
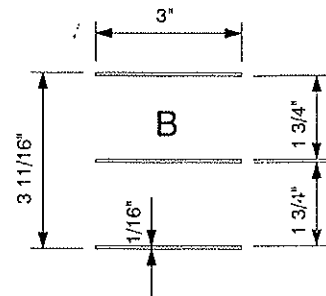
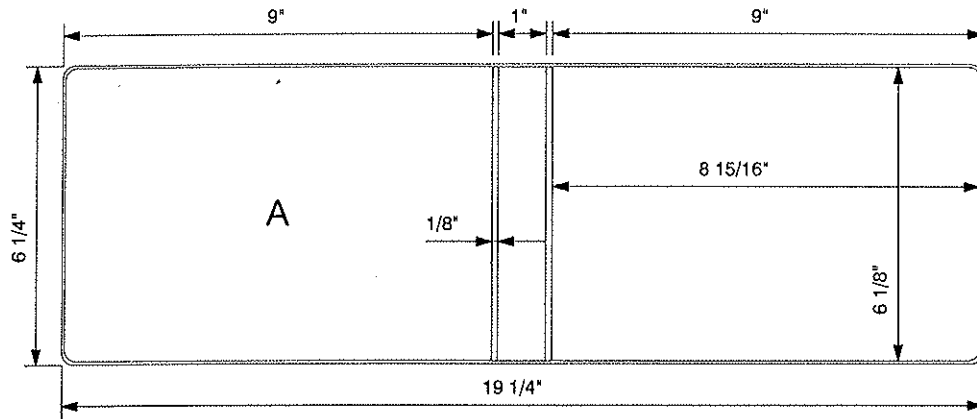
REVISION : OA SIZE ON ORDER WAS
TO BIG. PANELS WIDTH
REDUCED 3/4".



MATERIAL SPECS		GAUGE	PCS.	MATERIAL SPECS		GAUGE	PCS.
COVER MAT.	12 1/4 X 18 3/4		1	LINING MAT.			
COVER MAT.				LINING MAT.			
DIE CUT				HORZ. PKT.	5 3/8 X 18 3/4		1
COL				VERT. PKT.			
LABEL HOLDER				DIE CUT			
GUSSET				REINF.			

BOARD SPECS		GAUGE	PCS.	BOARD SPECS		GAUGE	PCS.
F.C. BOARD				F.C. BOARD			
B.B. BOARD				B.B. BOARD			
B.C. BOARD				B.C. BOARD			
FLAP BD.				DIE CUT			
BOARD				DIE CUT			

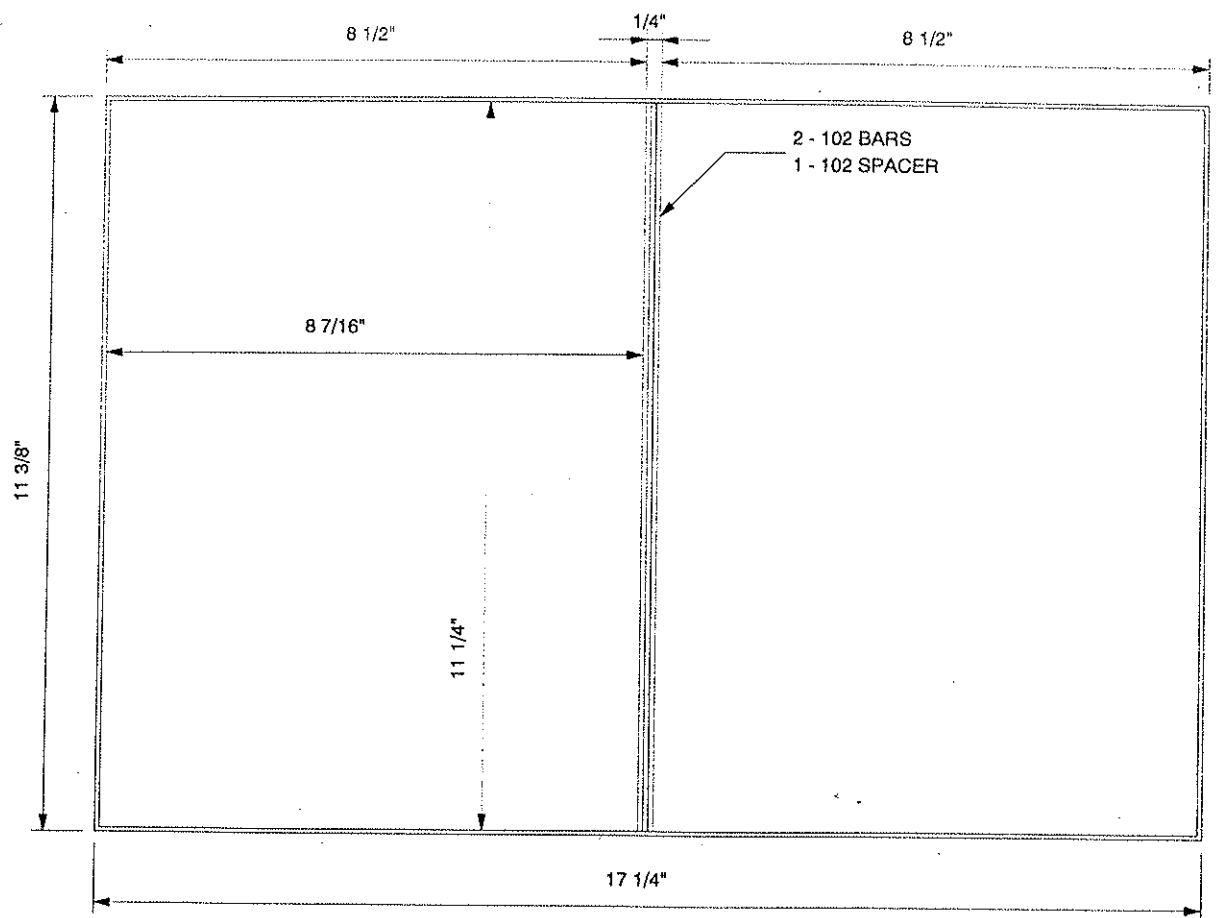
DIE #	6452 A-B-C	METAL	NONE	RADIUS	1/4"
ORDER #	989458	CUSTOMER	EPI	TEAR SEAL	.010
SHEET SIZE	OA 6.25 X 9	STYLE CASE	VINYL FOLDER	BAR SEAL	253-102
CAP.	OA 1" SPINE	DUE DATE	3-17-98	COMPLETED	
LOCATION	G-9-8	QUANTITY	2	DATE	3-13-98



MATERIAL SPECS		GAUGE PCS.		MATERIAL SPECS		GAUGE PCS.	
COVER MAT.	7 1/4 X 20 1/4	CAST.	1	LINING MAT.	8 X 21	6452-C	V285
COVER MAT.				LINING MAT.			
DIE CUT				HORZ. PKT.			
COL				VERT. PKT.	7 3/4 X 9	OUTSIDE FC	CLEAR
LABEL HOLDER				DIE CUT			
GUSSET				REINF.	7 3/4 X 3	PREWELD	CLEAR

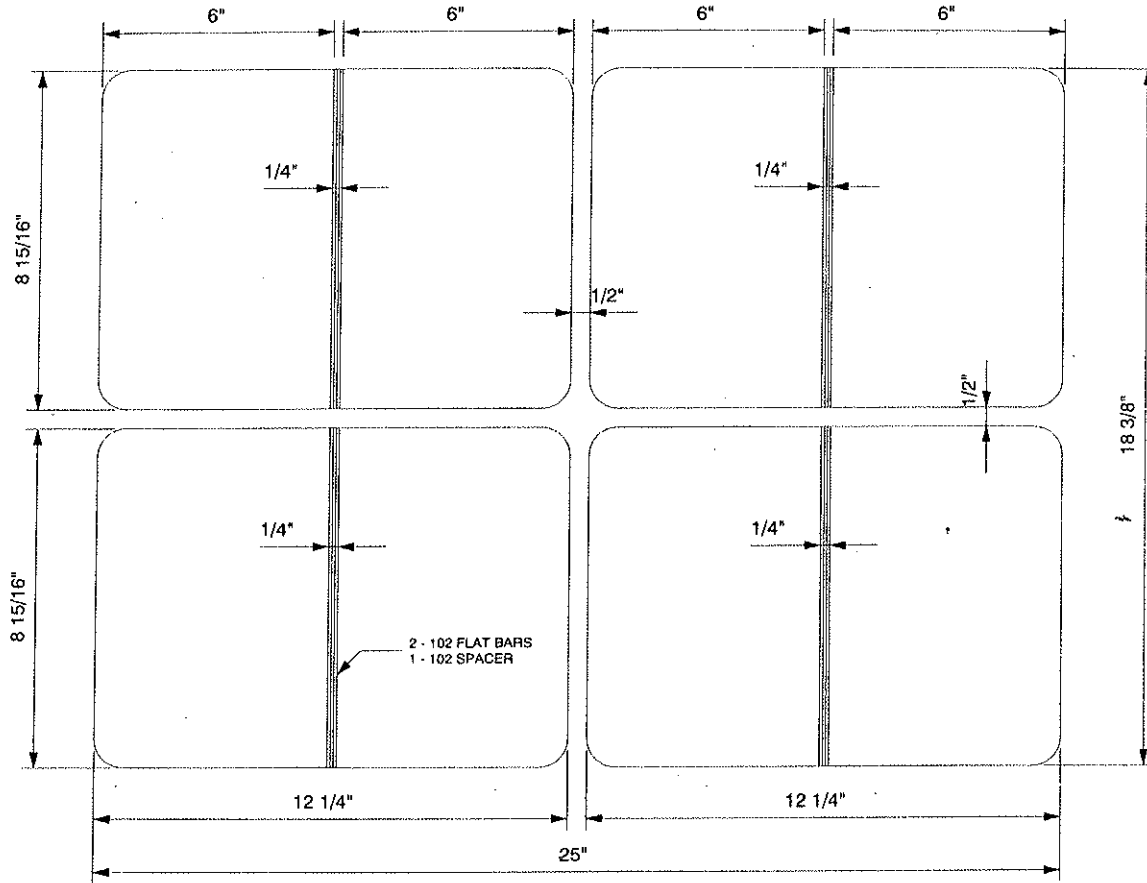
BOARD SPECS		GAUGE PCS.		BOARD SPECS		GAUGE PCS.	
F.C. BOARD				F.C. BOARD			
B.B. BOARD				B.B. BOARD			
B.C. BOARD				B.C. BOARD			
FLAP BD.				DIE CUT			
BOARD				DIE CUT			

DIE #	6694-A	METAL	NONE	RADIUS	
ORDER #	234392	CUSTOMER	NSC INTERNATIONAL	TEAR SEAL	.012
SHEET SIZE	11 X 8 1/2	STYLE CASE	CLEAR VINYL FOLDER	BAR SEAL	102
CAP.	1/4"	DUE DATE	5-12-99	COMPLETED	
LOCATION	I-12-2	QUANTITY	2500	DATE	4-28-99



MATERIAL SPECS		GAUGE		PCS.		MATERIAL SPECS		GAUGE	
COVER MAT.	12 1/8 X 18			1		LINING MAT.			
COVER MAT.						LINING MAT.			
DIE CUT	DIECUT 6190-A 10 7/8 X 18 3/4	1 OUT		1		HORZ. PKT.			
COL						VERT. PKT.			
LABEL HOLDER						DIE CUT			
GUSSET						REINF.			
BOARD SPECS		GAUGE		PCS.		BOARD SPECS		GAUGE	
F.C. BOARD						F.C. BOARD			
B.B. BOARD						B.B. BOARD			
B.C. BOARD						B.C. BOARD			
FLAP BD.						DIE CUT			
BOARD						DIE CUT			

DIE #	6855	METAL	<i>4-up Die</i>	RADIUS	3/4"
ORDER #	309462	CUSTOMER	RENAISSANCE	TEAR SEAL	NAT EDGE
SHEET SIZE	8.9375 X 6	STYLE CASE	VINLY POCKET FOLDER	BAR SEAL	102
CAP.	3/16"	DUE DATE	2-28-00	COMPLETED	
LOCATION		QUANTITY	25,000	DATE	2-1-00



MATERIAL SPECS		GAUGE	PCS.	MATERIAL SPECS		GAUGE	PCS.
COVER MAT.	19 3/8 X 26		1	LINING MAT.	19 1/8 X 5 3/8		2
COVER MAT.				LINING MAT.	19 1/8 X 10 1/2		1
DIE CUT				HORZ. PKT.			
COL				VERT. PKT.			
LABEL HOLDER				DIE CUT			
GUSSET				REINF.			

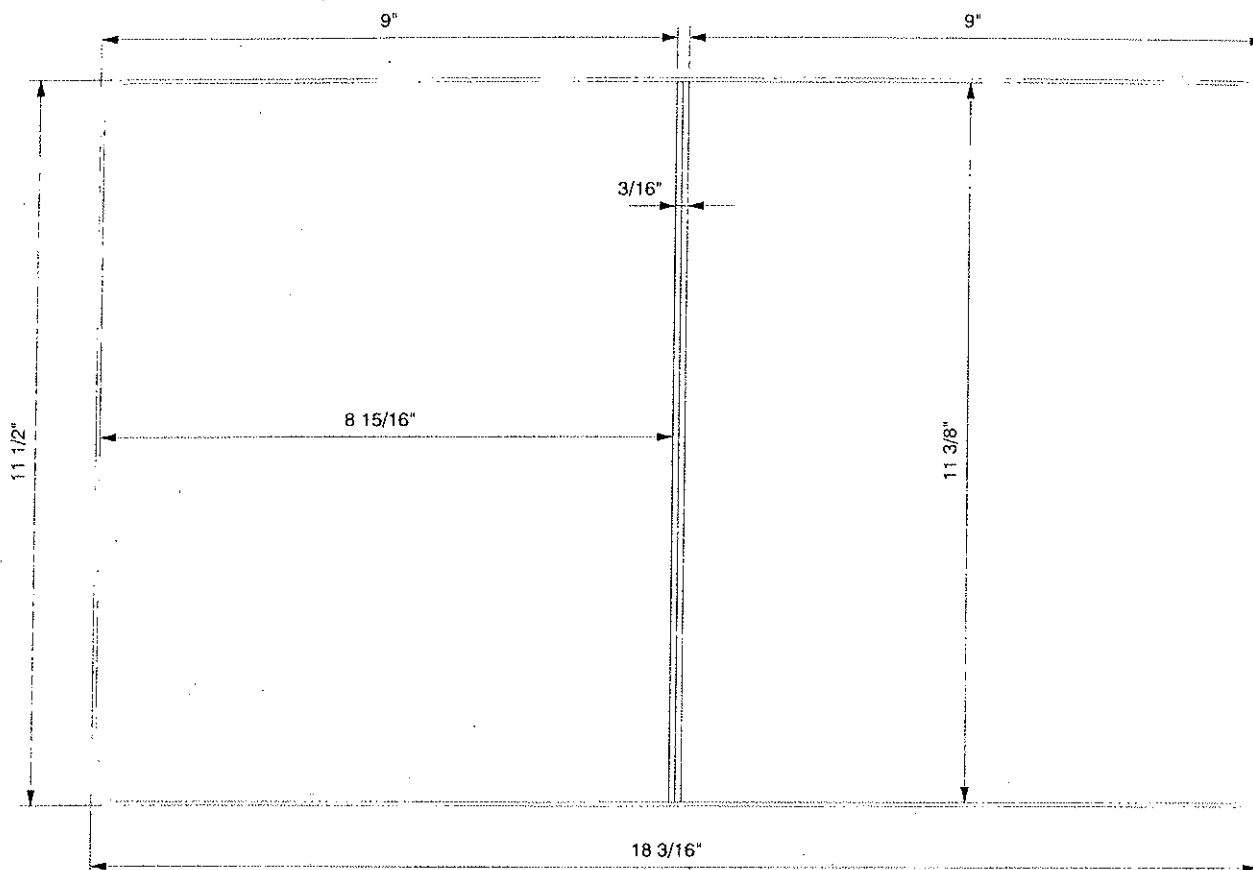
Pockets

BOARD SPECS		GAUGE	PCS.	BOARD SPECS		GAUGE	PCS.
F.C. BOARD	5/16" R. CORNERS			F.C. BOARD	5/16" R. CORNERS		
B.B. BOARD				B.B. BOARD			
B.C. BOARD				B.C. BOARD			
FLAP BD.				DIE CUT			
BOARD -				DIE CUT			

DIE # 6954
 ORDER # 348630
 SHEET SIZE 11 X 8.5
 CAP.
 LOCATION

METAL NONE
 CUSTOMER SILVER SCREEN GRAPHICS
 STYLE CASE VINYL FOLDER
 DUE DATE 7-15-00
 QUANTITY 2000

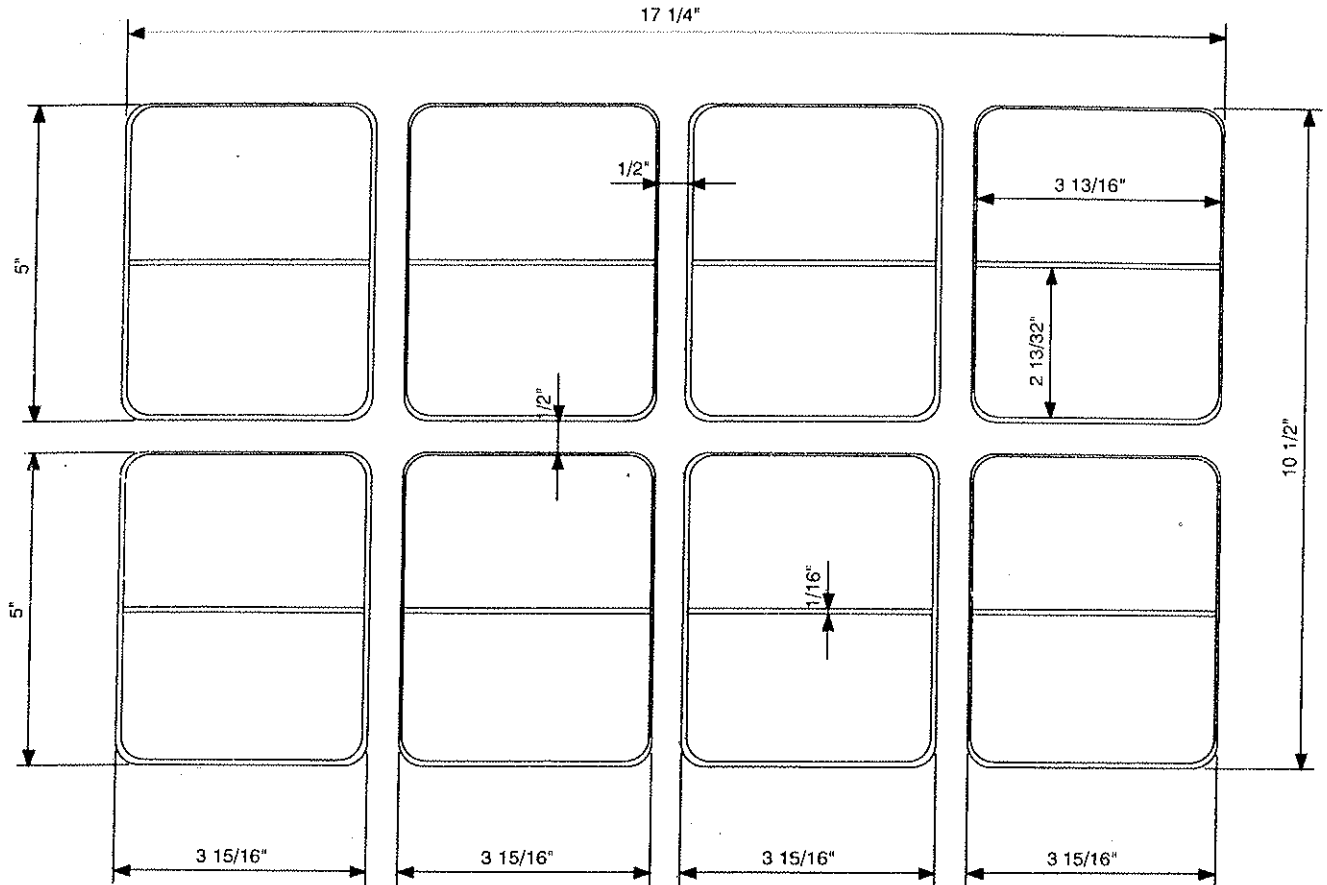
RADIUS 3/8"
 TEAR SEAL .010
 BAR SEAL 178 RIB
 COMPLETED
 DATE 7-24-00



MATERIAL SPECS	GAUGE	PCS.	MATERIAL SPECS	GAUGE	PCS.
COVER MAT.			1 LINING MAT.		
COVER MAT.	12 1/4 X 19		LINING MAT.		
DIE CUT			HORZ. PKT.	5 3/8 X 19	1
COL			VERT. PKT.		
LABEL HOLDER			DIE CUT		
GUSSET			REINF.		

BOARD SPECS	GAUGE	PCS.	BOARD SPECS	GAUGE	PCS.
F.C. BOARD	5/16" R. CORNERS		F.C. BOARD	5/16" R. CORNERS	
B.B. BOARD			B.B. BOARD		
B.C. BOARD			B.C. BOARD		
FLAP BD.			DIE CUT		
BOARD			DIE CUT		

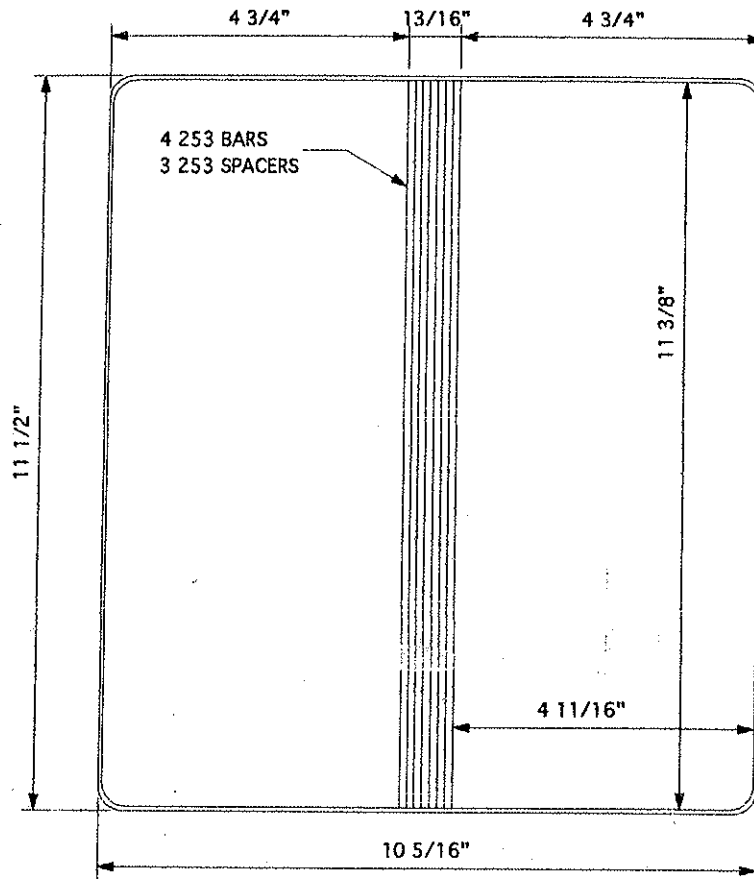
DIE #	7230-A	METAL		RADIUS	3/8"
ORDER #	484228	CUSTOMER	WORD OF LIFE	TEAR SEAL	.012
SHEET SIZE	3 15/16 X 5	STYLE CASE	VINYL BUSS. CARD HOLDER	BAR SEAL	102
CAP.		DUE DATE	3-29-02	COMPLETED	
LOCATION		QUANTITY	27,500	DATE	3-15-02



MATERIAL SPECS		GAUGE	PCS.	MATERIAL SPECS	GAUGE	PCS.
COVER MAT.	11 1/4 X 18		1	LINING MAT.		
COVER MAT.				LINING MAT.		
DIE CUT				HORZ. PKT.		
COL				VERT. PKT.		
LABEL HOLDER				DIE CUT		
GUSSET				REINF.		

BOARD SPECS		GAUGE	PCS.	BOARD SPECS	GAUGE	PCS.
F.C. BOARD	5/16" R. CORNERS			F.C. BOARD	5/16" R. CORNERS	
B.B. BOARD				B.B. BOARD		
B.C. BOARD				B.C. BOARD		
FLAP BD.				DIE CUT		
BOARD				DIE CUT		

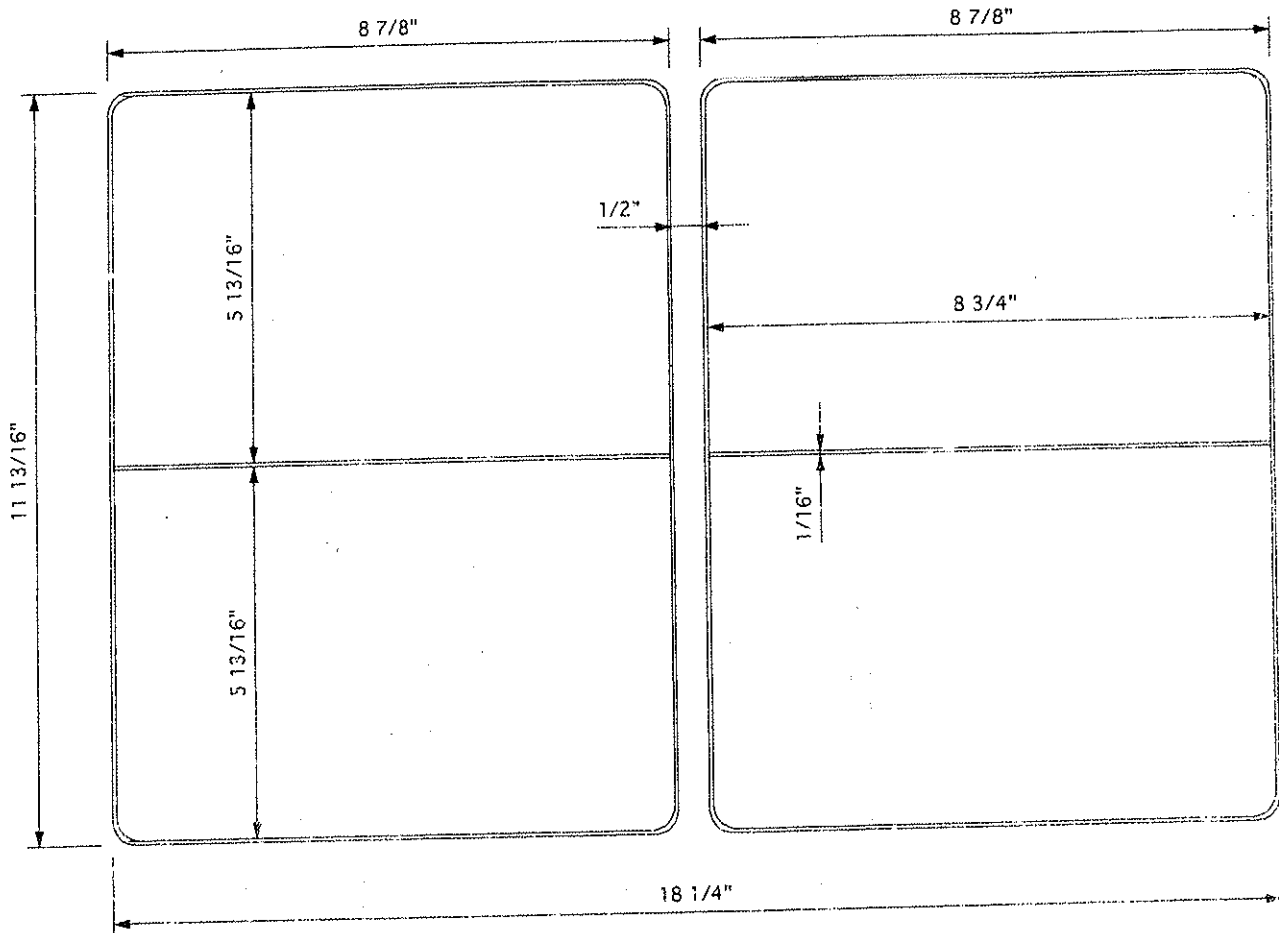
DIE #	7345	METAL		RADIUS	1/4"
ORDER #	524365	CUSTOMER	MARTIN MICHAELS	TEAR SEAL	.016
SHEET SIZE	11 X 4 1/2	STYLE CASE	VINYL FOLDER	BAR SEAL	253
CAP.	1/4"	DUE DATE	11-7-02	COMPLETED	
LOCATION		QUANTITY	30	DATE	11-8-02



MATERIAL SPECS		GAUGE	PCS.	MATERIAL SPECS		GAUGE	PCS.
COVER MAT.	12 1/2 X 11 5/16		1	LINING MAT.			
COVER MAT.				LINING MAT.			
DIE CUT				HORZ. PKT.			
COL				VERT. PKT.	12 1/4 X 3 3/8		2
LABEL HOLDER				DIE CUT			
GUSSET				REINF.			
BOARD SPECS		GAUGE	PCS.	BOARD SPECS		GAUGE	PCS.
F.C. BOARD	5/16" R. CORNERS			F.C. BOARD	5/16" R. CORNERS		
B.B. BOARD				B.B. BOARD			
B.C. BOARD				B.C. BOARD			
FLAP BD.				DIE CUT			
BOARD				DIE CUT			

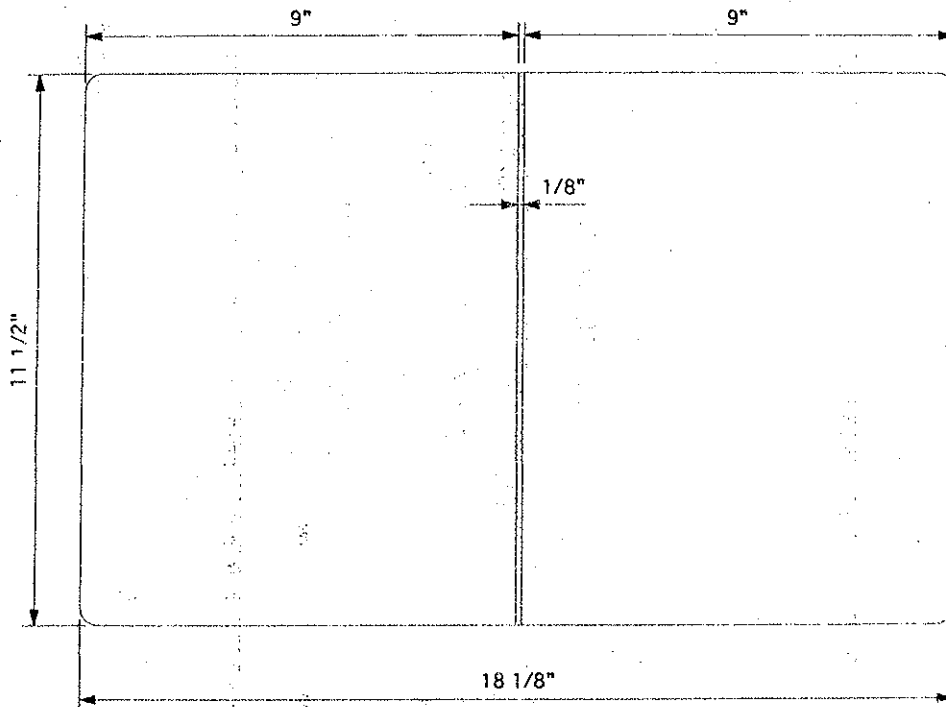
DIE #	7439	METAL		RADIUS	3/8"
ORDER #	555241	CUSTOMER	MYSTIC GRAPHICS	TEAR SEAL	.010
SHEET SIZE	8 7/8 X 5 7/8 OA	STYLE CASE	VINYL FOLDER	BAR SEAL	102
CAP.		DUE DATE	5-20-03	COMPLETED	
LOCATION		QUANTITY	1000	DATE	5-12-03

2 up die



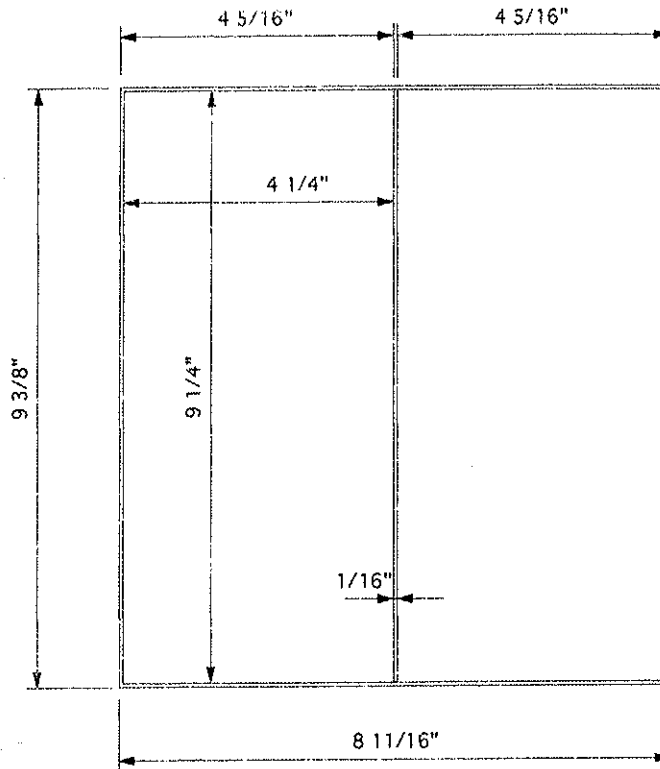
MATERIAL SPECS		GAUGE	PCS.	MATERIAL SPECS		GAUGE	PCS.
COVER MAT.	6 5/16 X 19	BLACK	2UP	1	LINING MAT.		
COVER MAT.	6 5/8 X 19	CLEAR	2UP	1	LINING MAT.		
DIE CUT					HORZ. PKT.	5 7/8 X 19	CLEAR 2UP 1
COL					VERT. PKT.		
LABEL HOLDER					DIE CUT C.N.	2 5/8 x 4 1/4	
GUSSET					REINF.		
BOARD SPECS		GAUGE	PCS.	BOARD SPECS		GAUGE	PCS.
5/16" R. CORNERS				5/16" R. CORNERS			
F.C. BOARD				F.C. BOARD			
B.B. BOARD				B.B. BOARD			
B.C. BOARD				B.C. BOARD			
FLAP BD.				DIE CUT			
BOARD				DIE CUT			

DIE #	7467	METAL	RADIUS	3/8"	
ORDER #	562636	CUSTOMER	COLLEGE BOARD OF NY	TEAR SEAL	FLAT
SHEET SIZE	11 X 8 1/2	STYLE CASE	VINYL FOLDER	BAR SEAL	BLIND
CAP.	1/8"	DUE DATE	7-3-03	COMPLETED:	
LOCATION		QUANTITY	23,500	DATE	6-17-03



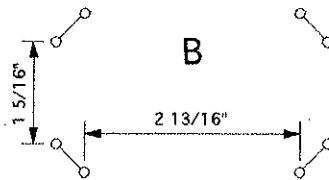
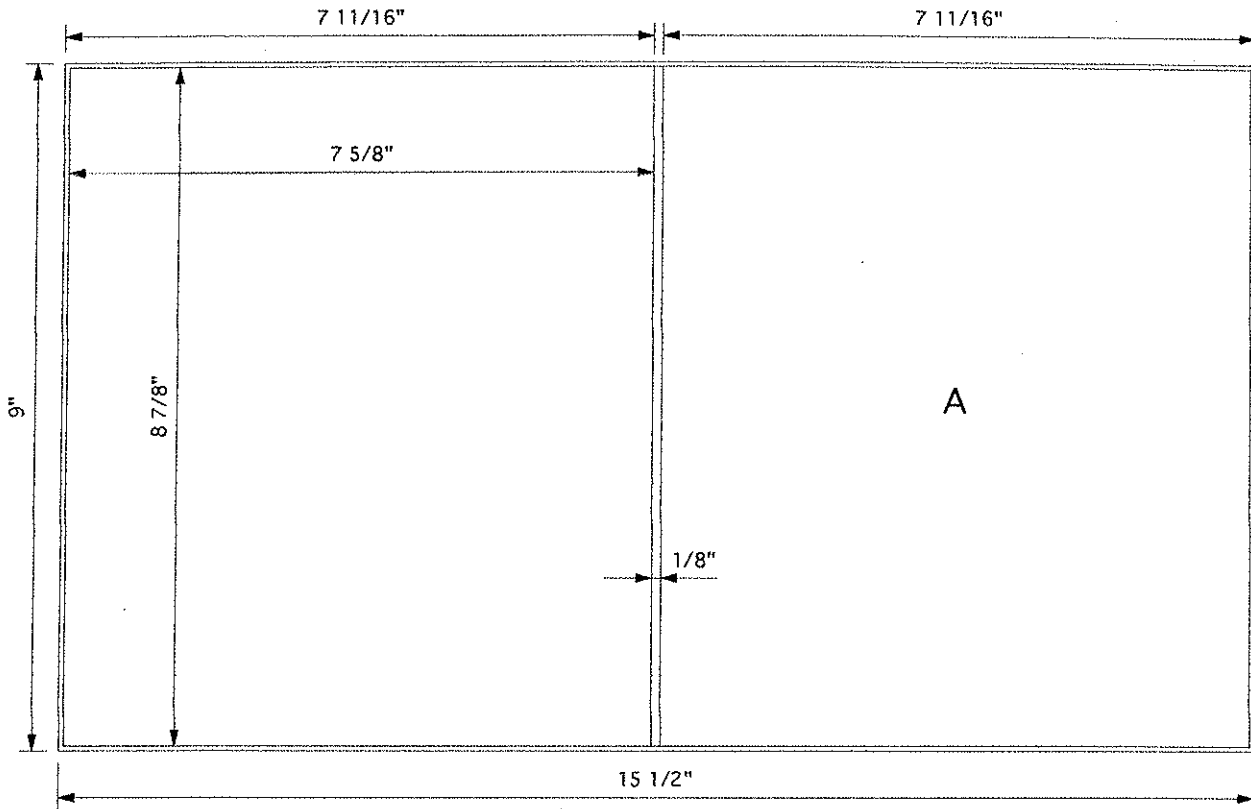
MATERIAL SPECS	GAUGE	PCS	MATERIAL SPECS	GAUGE	PCS
COVER MAT.			1 LINING MAT.		
COVER MAT.	12 1/4 x 18 7/8		LINING MAT.		
DIE CUT			HORZ. PKT.	5 x 18 7/8	1
COL			VERT. PKT.		
LABEL HOLDER			DIE CUT		
GUSSET			REINF.		

DIE #	7549	METAL		RADIUS	
ORDER #	582434	CUSTOMER	MORGAN STANLEY	TEAR SEAL	.010
SHEET SIZE	9 X 4	STYLE CASE	VINYL FOLDER W/PKTS	BAR SEAL	102
CAP.		DUE DATE	10-15-03	COMPLETED	
LOCATION		QUANTITY	100	DATE	10-14-03



MATERIAL SPECS		GAUGE	PCS.	MATERIAL SPECS		GAUGE	PCS.
COVER MAT.	10 1/8 X 9 1/2		1	LINING MAT.	4 3/8 X 9 1/2		1
COVER MAT.				LINING MAT.			
DIE CUT				HORZ. PKT.			
COL				VERT. PKT.			
LABEL HOLDER				DIE CUT			
GUSSET				REINF.			
BOARD SPECS		GAUGE	PCS.	BOARD SPECS		GAUGE	PCS.
5/16" R. CORNERS				5/16" R. CORNERS			
F.C. BOARD				F.C. BOARD			
B.B. BOARD				B.B. BOARD			
B.C. BOARD				B.C. BOARD			
FLAP BD.				DIE CUT			
BOARD				DIE CUT			

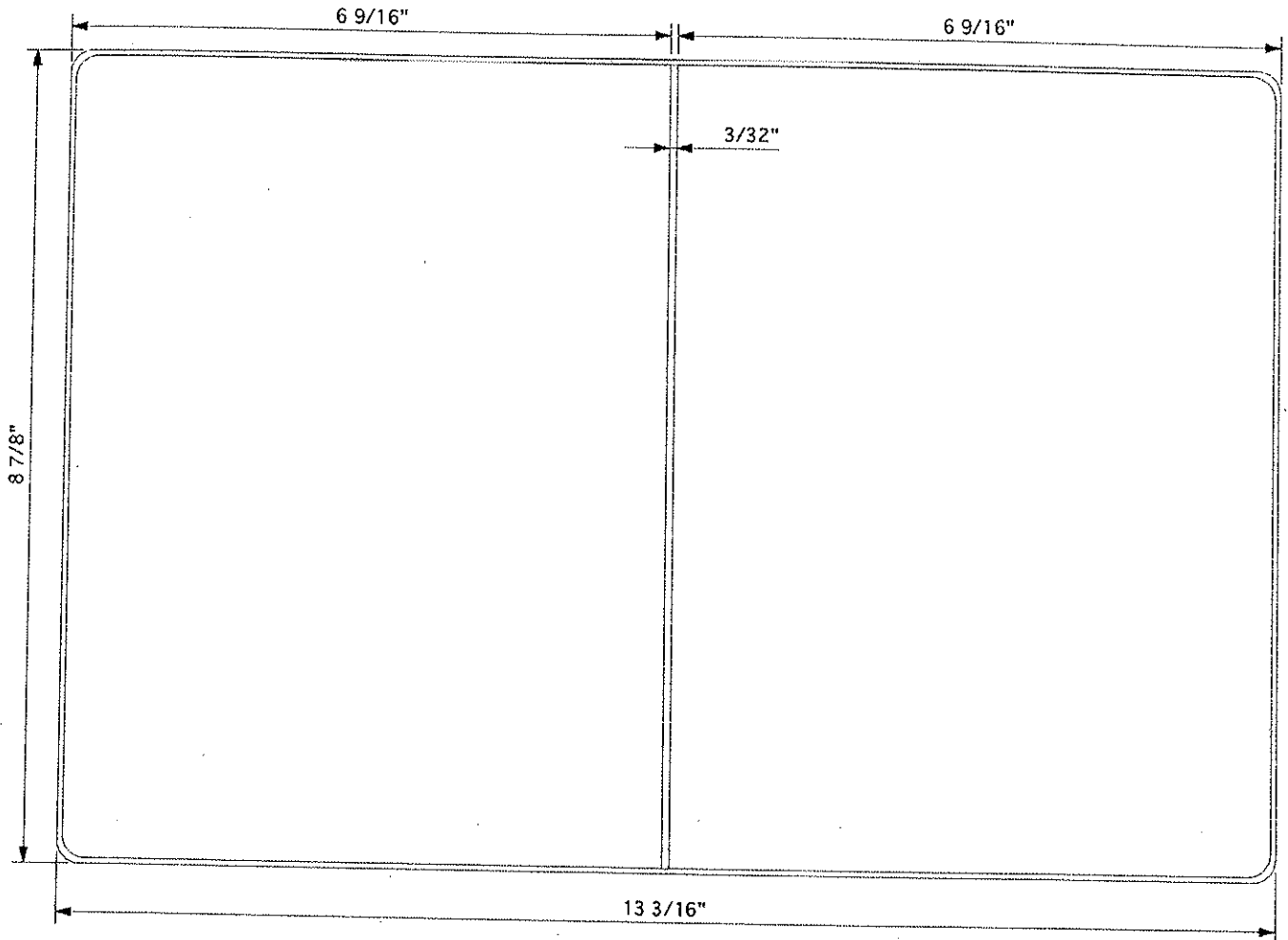
DIE #	7750-A-B	METAL		RADIUS	
ORDER #	638928	CUSTOMER	NSC INTERNATIONAL	TEAR SEAL	.008
SHEET SIZE	8 1/2 X 6 1/2	STYLE CASE	VINYL FOLDER	BAR SEAL	48-4
CAP.		DUE DATE	9-17-04	COMPLETED	
LOCATION		QUANTITY	500	DATE	8-31-04



MATERIAL SPECS		GAUGE	PCS.	MATERIAL SPECS	GAUGE	PCS.
COVER MAT.	9 3/4 X 16 1/4		1	LINING MAT.	4 3/8 X 16 1/4	1
COVER MAT.				LINING MAT.		
DIE CUT				HORZ. PKT.		
COL				VERT. PKT.		
LABEL HOLDER				DIE CUT		
GUSSET				REINF.		
BOARD SPECS		GAUGE	PCS.	BOARD SPECS	GAUGE	PCS.
5/16" R. CORNERS				5/16" R. CORNERS		
F.C. BOARD				F.C. BOARD		
B.B. BOARD				B.B. BOARD		
B.C. BOARD				B.C. BOARD		
FLAP BD.				DIE CUT		
BOARD				DIE CUT		

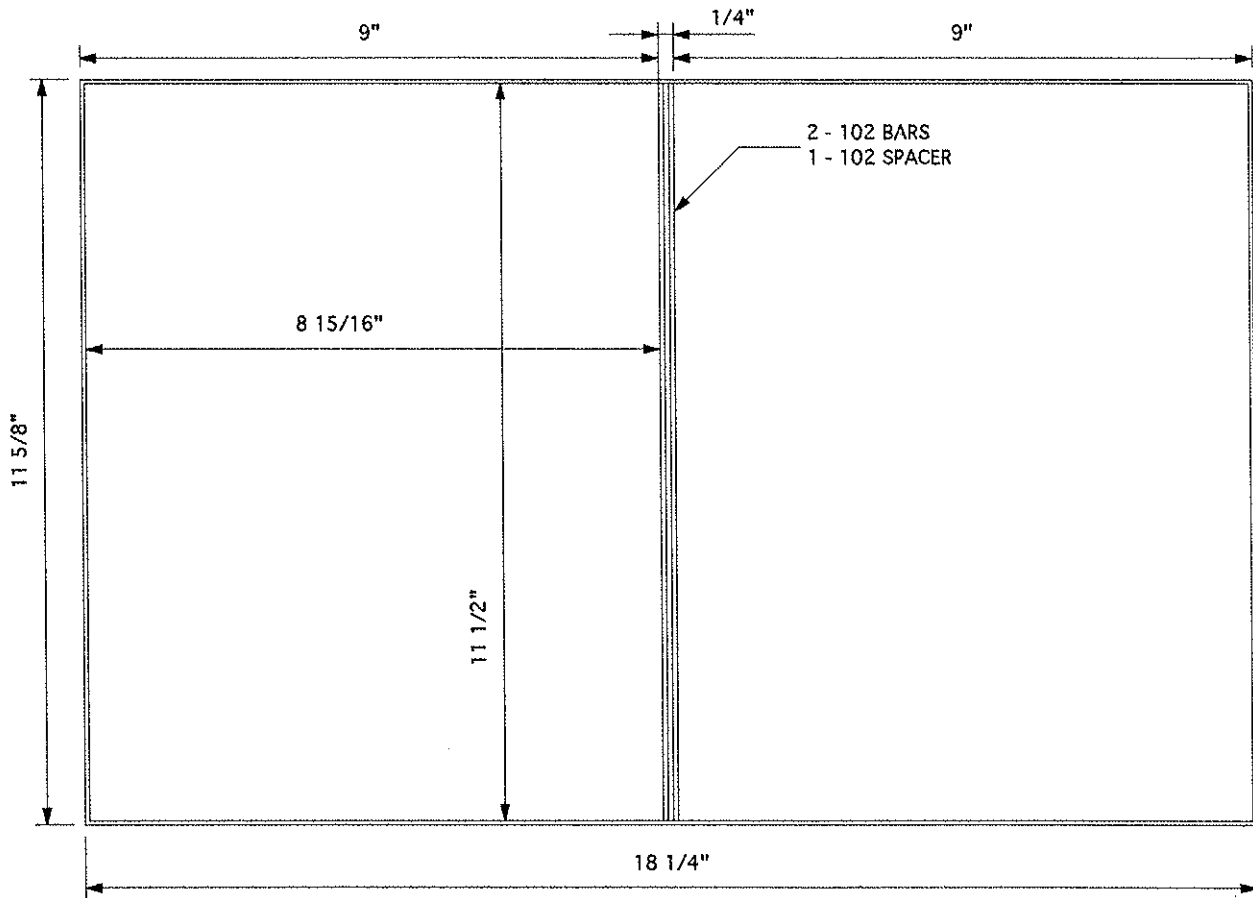
DIE #	8103	METAL	NONE	RADIUS	3/8"
ORDER #	725301	CUSTOMER	ONESOURCE	TEAR SEAL	.012
SHEET SIZE	8 1/2 X 6 1/4	STYLE CASE	VINYL FOLDER	BAR SEAL	FLAT
CAP.		DUE DATE	4-5-06	COMPLETED	
LOCATION		QUANTITY	2000	DATE	3-29-06

*** WARNING DRAWING NOT ACTUAL SIZE ***



MATERIAL SPECS		GAUGE	PCS.	MATERIAL SPECS		GAUGE	PCS.
COVER MAT.	9 5/8 X 14		1	LINING MAT.			
COVER MAT.				LINING MAT.			
DIE CUT				HORZ. PKT.			
COL				VERT. PKT.	9 5/8 X 6 5/8		2
LABEL HOLDER				DIE CUT			
GUSSET				REINF.			
BOARD SPECS		GAUGE	PCS.	BOARD SPECS		GAUGE	PCS.
5/16" R. CORNERS				5/16" R. CORNERS			
F.C. BOARD				F.C. BOARD			
B.B. BOARD				B.B. BOARD			
B.C. BOARD				B.C. BOARD			
FLAP BD.				DIE CUT			
BOARD				DIE CUT			

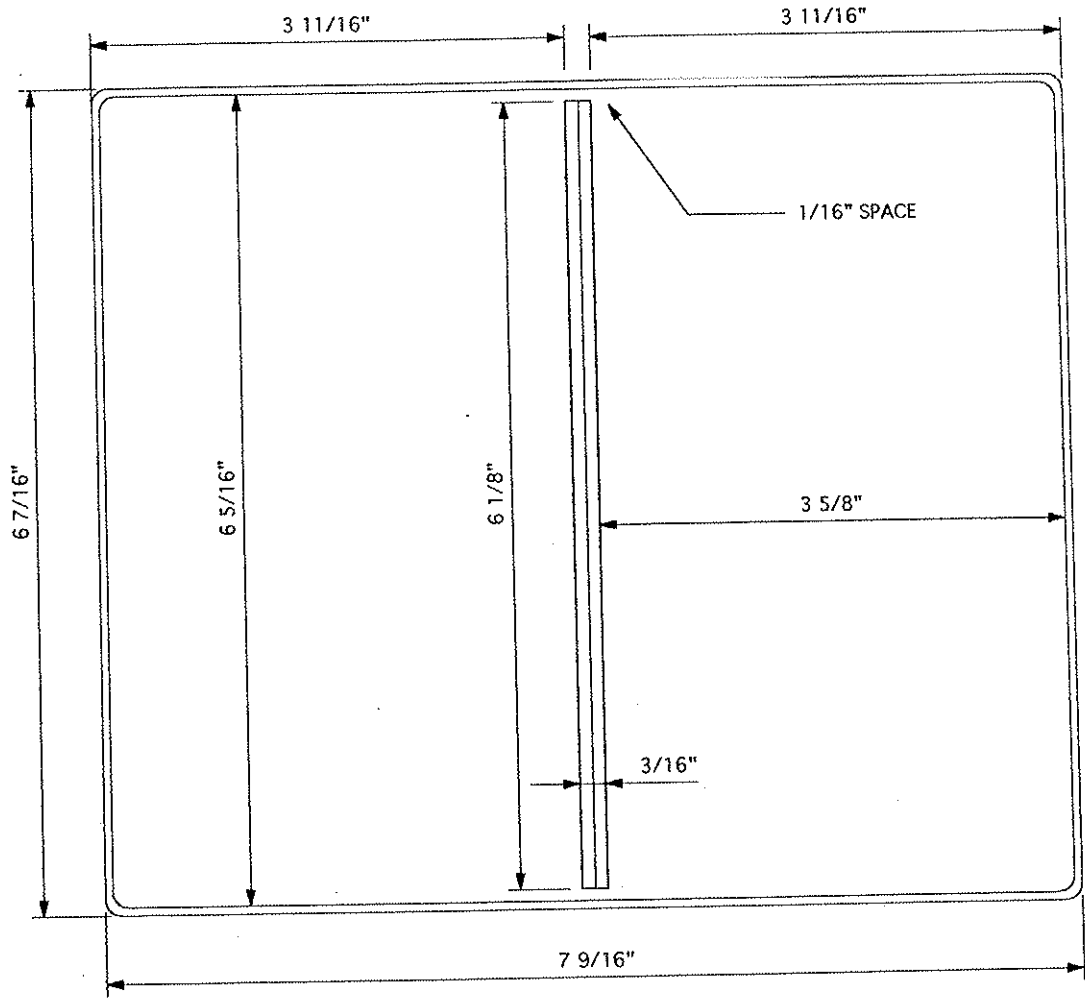
DIE #	8162	METAL	NONE	RADIUS	
ORDER #	741175	CUSTOMER	NSC	TEAR SEAL	.012
SHEET SIZE	11 X 8 1/2	STYLE CASE	CLEAR VINYL FOLDER	BAR SEAL	102
CAP.	1/4"	DUE DATE	7-20-06	COMPLETED	
LOCATION		QUANTITY	500	DATE	7-5-06



MATERIAL SPECS		GAUGE		PCS.		MATERIAL SPECS		GAUGE		PCS.	
COVER MAT.	12 3/8 X 19			1		LINING MAT.					
COVER MAT.						LINING MAT.					
DIE CUT	12 X 20	DIECUT 6190-A	1 OUT	1		HORZ. PKT.					
COL						VERT. PKT.					
LABEL HOLDER						DIE CUT					
GUSSET						REINF.					

BOARD SPECS		GAUGE		PCS.		BOARD SPECS		GAUGE		PCS.	
F.C. BOARD						F.C. BOARD					
B.B. BOARD						B.B. BOARD					
B.C. BOARD						B.C. BOARD					
FLAP BD.						DIE CUT					
BOARD						DIE CUT					

DIE #	8431	METAL	NONE	RADIUS	1/8"
ORDER #	819471	CUSTOMER	MOORE WALLACE	TEAR SEAL	.008
SHEET SIZE	6 X 3	STYLE CASE	VINYL FOLDER	BAR SEAL	178 RIB
CAP.	3/16"	DUE DATE	12-21-07	COMPLETED	
LOCATION		QUANTITY	500	DATE	12-10-07



MATERIAL SPECS		GAUGE	PCS.	MATERIAL SPECS		GAUGE	PCS.
COVER MAT.	7 3/16 X 8 5/16		1	LINING MAT.			
COVER MAT.				LINING MAT.			
DIE CUT				HORZ. PKT.	6 3/8 X 3 3/8		1
COL				VERT. PKT.	7 3/16 X 3 3/8		1
LABEL HOLDER				DIE CUT			
GUSSET				REINF.			

BOARD SPECS	5/16" R. CORNERS	GAUGE	PCS.	BOARD SPECS	5/16" R. CORNERS	GAUGE	PCS.
F.C. BOARD				F.C. BOARD			
B.B. BOARD				B.B. BOARD			
B.C. BOARD				B.C. BOARD			
FLAP BD.				DIE CUT			
BOARD				DIE CUT			