

Product Code

Stock

Style Case PAD HOLDER.

Sheet Size 11 x 8 1/2 Cap. 3/4 Die No. 481

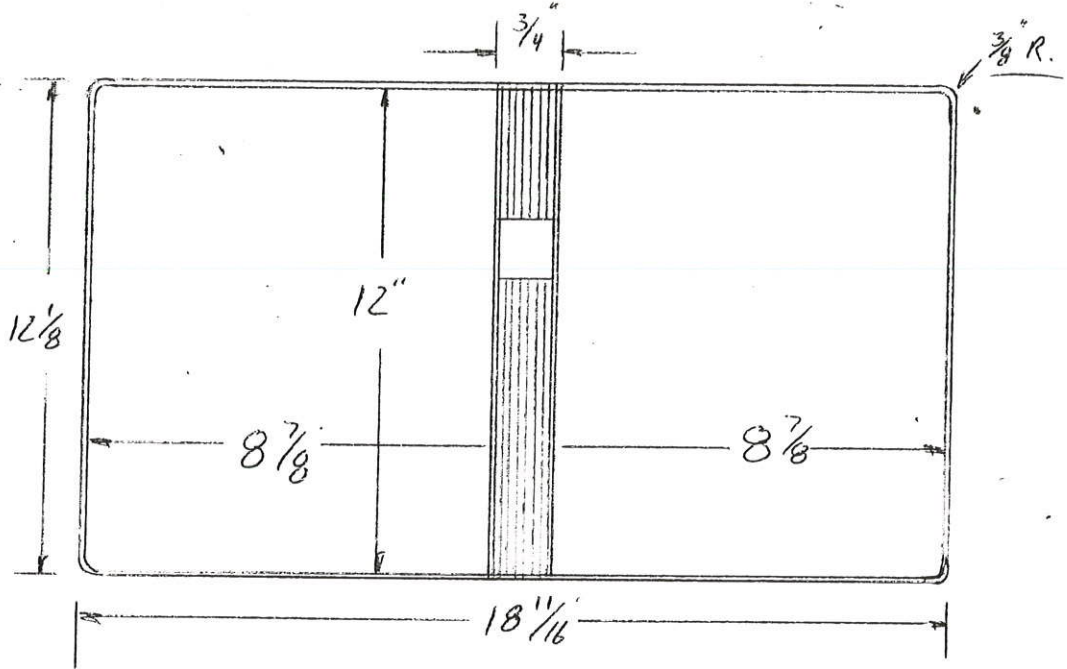
Order No. Plate

Customer **STOCK**

Metal
Total Vinyl
Quantity
Date 4-4-69
Type Corners RND
Radius 3/8"
Completed

	Gauge	Thick
Tear Seal	016	3/32
Bar Seal		3/16
Bar Seal		

	No. of Feet
Tear Seal	
Bar Seal	
Bar Seal	



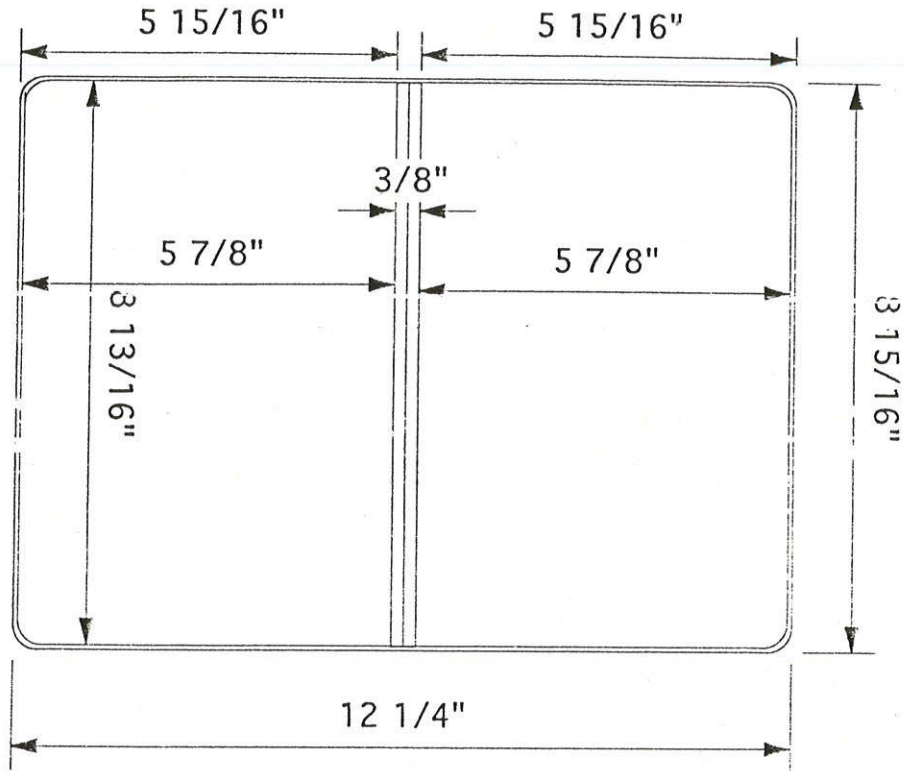
(Grain side-up)

Code	Ga.	# PCS	Cutting Specs		Code	die cut	Ga.	# Pcs.	Cutting Specs	
			Size	Out					Size	Out
Cover Mat.	13	1	13	20	Die-Cut	14	1	14	20 1/2	
Cover Mat				X	Lining Mat.					
Vert. Pckt.	13	1	13	5 3/8	No Die-Cut. Full	13	1	13	19 1/2	
Diag Pckt.	10	1/2	10	10	Lining Mat. Pkt					
Pocket				X	Horz. Pckt. 15102	5 3/8	1	5 3/8	9 1/2	
Label Holder				X	Horz. Pckt.				X	
Material				X	Pocket				X	
Material				X	Card Holder				X	
Material				X	Material				X	
Material				X	Material				X	
B.C. Board	120 Pkt.	1	11 29/32	8 25/32	B.C. Board	Die Cutting Die #481				
B.C. Board	120 Pkt.	1	11 29/32	8 25/32	B.B. Board Padded	13	1	13	19 1/16	
Center Board				X 0.33291	Board				X	
Board FC	Pieces 100 pt.	1	11 15/16	8 13/16	Strip				X	
Cover Pad	100 pt.	1	11 15/16	8 13/16	Strip				X	
					B.B. Pad				X	

DIE # 2330		STYLE CASE VINYL PADHOLDER		LOCATION
SHEET SIZE 8 1/2 X 5 1/2		CAP.		ORDER #
CUSTOMER		STOCK		DUE DATE
QUANTITY		RADIUS		TEAR SEAL
DATE		COMPLETED		BAR SEAL

No Pen Loop

Slit only



MATERIAL SPECS

GA PCS

GA

COVER MATL	9 11/16 X 13	1	LINING	10 3/4 X 14
COVER MATL			LINING	
VERT PKT			HORZ PKT	
VERT PKT			HORZPKT	
CARD HOLDER			DIAGONAL PKT	9 1/4 X 6 1/4
COL			LABEL HOLDER	
EX COL			GUSSETT	
			REINF	

BOARD SPECS

F.C. BOARD	8 3/4 X 5 13/16	2	F.C. BOARD
B.B. BOARD			B.B. BOARD
B.C. BOARD			B.C. BOARD
BU STRIP			

Product Code

Style Case *Pad Holder*

Sheet Size $6\frac{7}{8} \times 3\frac{3}{4}$ O.F.C. $\frac{1}{2}$ Cap. $\frac{1}{2}$

Die No. *2803* Order No. *18102-4* Plate

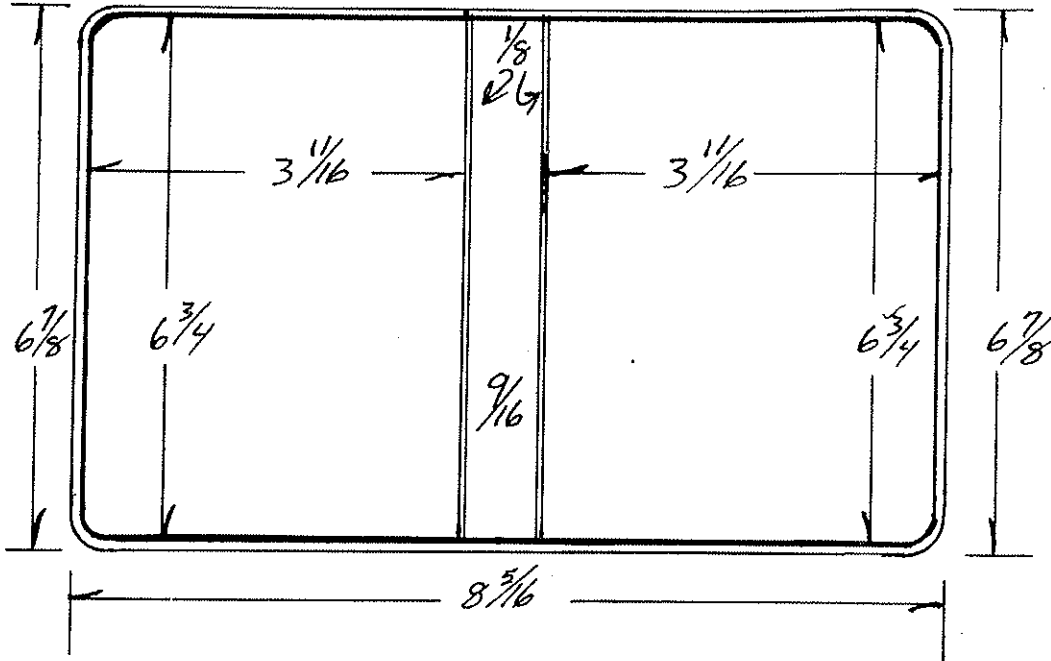
Customer

South Central Bell

Metal
Total Vinyl <i>.030</i>
Quantity <i>25</i>
Date <i>5-1-82</i>
Type Corners <i>RD</i>
Radius <i>3/32</i>
Completed

	Gauge	Thick
Tear Seal	<i>.015</i>	<i>3/32</i>
Bar Seal	<i>103</i>	<i>1/8</i>
Bar Seal		

	No. of Feet
Tear Seal	
Bar Seal	
Bar Seal	



Code	Ga.	PCS	Cutting Specs		Code	Ga.	Pcs.	Cutting Specs	
			Size	Out				Size	Out
Cover Mat.		<i>1</i>	$7\frac{1}{2} \times 9\frac{1}{16}$		Lining Mat.		<i>1</i>	$7\frac{1}{2} \times 9\frac{1}{16}$	
Cover Mat.			X		Lining Mat.			X	
Vert. Pckt.			X		Horz. Pckt.		<i>1</i>	$4\frac{13}{16} \times 8\frac{15}{16}$	
Vert. Pckt.			X		Horz. Pckt.			X	
Pocket			X		Pocket			X	
Label Holder			X		Card Holder		<i>1</i>	$2\frac{7}{16} \times 4\frac{3}{16}$	
Material			X		Material			X	
Material			X		Material			X	
Material			X		Material			X	
F.C. Board		<i>1</i>	$6\frac{5}{8} \times 3\frac{9}{16}$		B.C. Board		<i>1</i>	$6\frac{5}{8} \times 3\frac{9}{16}$	
B.C. Board			X		B.B. Board			X	
Center Board			X		Board			X	
Board			X		Strip			X	
Cover Pad			X		Strip			X	
					B.B. Pad			X	

Product Code

Style Case *Pad holders*

Sheet Size $8\frac{1}{2}$ X $5\frac{3}{8}$ Overall F.C. Cap.

Die No. *3093*

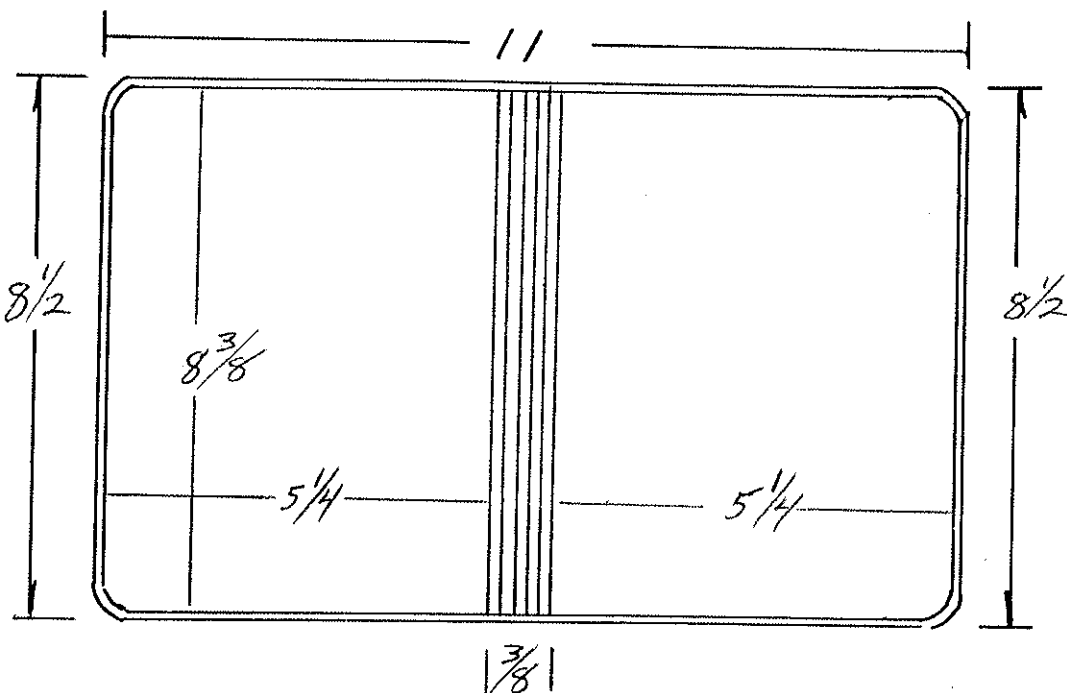
Order No. *943709*

Plate

Customer

Auburn U.N.V.

Metal
Total Vinyl <i>.030</i>
Quantity <i>1200</i>
Date <i>1-12-83</i>
Type Corners <i>Rd</i>
Radius <i>1/4</i>
Completed



	Gauge	Thick
Tear Seal	<i>.016</i>	<i>3/16</i>
Bar Seal		
Bar Seal		

	No. of Feet
Tear Seal	
Bar Seal	
Bar Seal	

*B.B. to be 2R.
3/16 grooved up*

Code	Ga.	# PCS	Cutting Specs		Code	Ga.	# Pcs.	Cutting Specs	
			Size	Out				Size	Out
Cover Mat.			$9\frac{1}{8}$ X $11\frac{3}{4}$	1	Lining Mat.			$9\frac{1}{8}$ X $11\frac{3}{4}$	1
Cover Mat			X		Lining Mat. <small>with slit Die #3073</small>			$10\frac{1}{4}$ X $12\frac{3}{4}$	1
Vert. Pckt.			X		Horz. Pckt.			$3\frac{3}{4}$ X $11\frac{3}{4}$	1
Vert. Pckt. <i>Das.</i>			$8\frac{3}{4}$ X $5\frac{3}{4}$		Horz. Pckt.			$3\frac{1}{4}$ X 6	1
Pocket			X		Pocket			X	
Label Holder			X		Card Holder			X	
Material			X		Material			X	
Material			X		Material			X	
Material			X		Material			X	
F.C. Board			$8\frac{9}{32}$ X $5\frac{5}{32}$	100 /	B.C. Board			$8\frac{9}{32}$ X $5\frac{5}{32}$	100 /
B.C. Board			$8\frac{5}{16}$ X $5\frac{3}{16}$	100 /	B.B. Board			$8\frac{5}{16}$ X $5\frac{3}{16}$	100 /
Center Board			X		Board			X	
Board			X		Strip			X	
Cover Pad			X		Strip			X	
					B.B. Pad			X	

Product Code

Style Case *Pad holder*

Sheet Size *8 1/2 X 5* Cap.

Die No. *3328*

Order No. *948156*

Plate

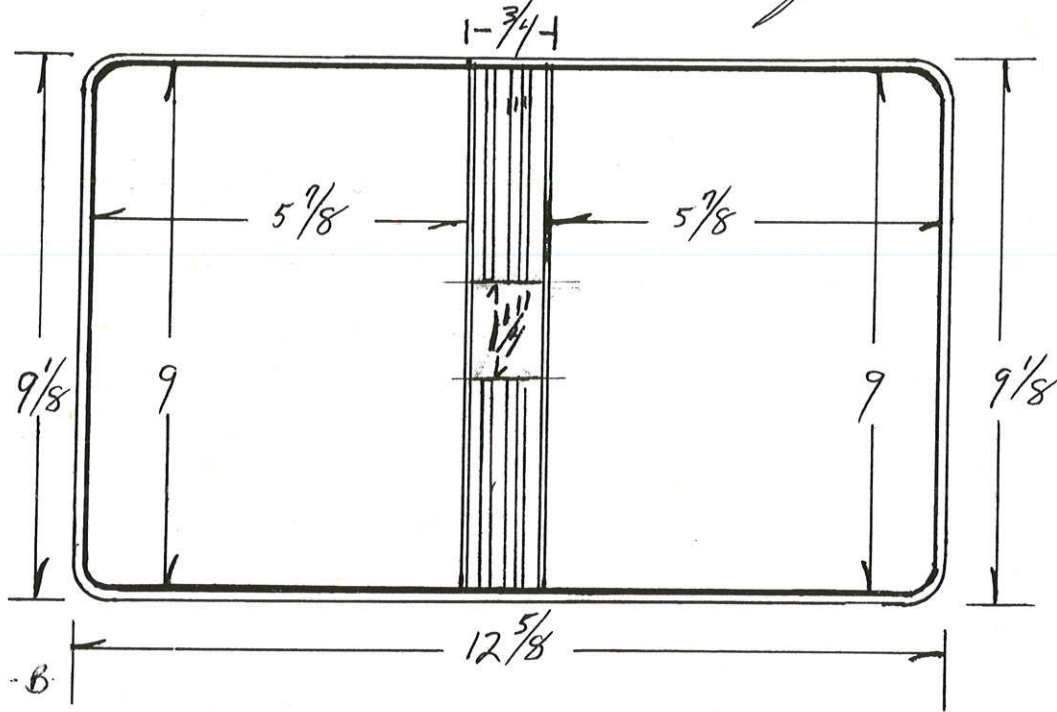
Customer

Akron Sand Blast & Metalizing

Metal
Total Vinyl <i>.030</i>
Quantity <i>500</i>
Date
Type Corners <i>Rd</i>
Radius <i>1/4</i>
Completed

	Gauge	Thick
Tear Seal	<i>.016</i>	<i>332</i>
Bar Seal	<i>178</i>	<i>316</i>
Bar Seal		

	No. of Feet
Tear Seal	
Bar Seal	
Bar Seal	



*B.B. to be 4 Pc.
#178*

die-cutting die # 3328-B

Code	Ga.	#	Cutting Specs		Code	Ga.	#	Cutting Specs	
			Size	Out				Size	Out
Cover Mat.			<i>9 3/4 X 13 3/8</i>	<i>1</i>	Lining Mat.			<i>10 7/8 X 14 1/8</i>	<i>1</i>
Cover Mat.			X		Lining Mat.			X	
Vert. Pckt.			X		Horz. Pckt.			X	
Vert. Pckt.			X		Horz. Pckt.			X	
Pocket			X		Pocket			<i>9 5/16 X 6 3/16</i>	<i>1</i>
Label Holder			X		Card Holder			X	
Material			X		Material			X	
Material			X		Material			X	
Material			X		Material			X	
F.C. Board			<i>8 7/8 X 5 3/4</i>	<i>120 1</i>	B.C. Board			<i>8 7/8 X 5 3/4</i>	<i>120 1</i>
B.C. Board			<i>8 15/16 X 5 13/16</i>	<i>100 2</i>	B.B. Board			X	
Center Board			X		Board			X	
Board			X		Strip			X	
Cover Pad			X		Strip			X	
					B.B. Pad			X	

Product Code

Style Case *Pad Holder*

Sheet Size *AS SAMPLE* X

Cap.

Die No. *3545*

Order No. *952051*

Plate

Customer

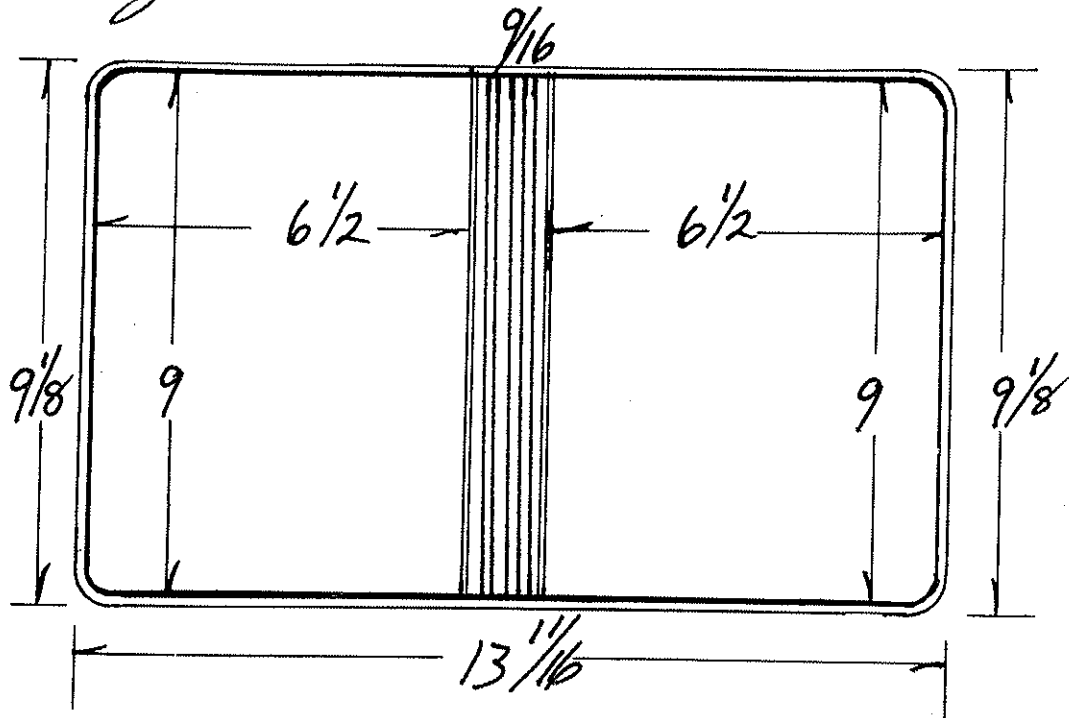
George Business Forms

Metal
Total Vinyl <i>.024</i>
Quantity <i>1</i>
Date <i>5-30-86</i>
Type Corners <i>RD</i>
Radius <i>3/32</i>
Completed

	Gauge	Thick
Tear Seal	<i>.012</i>	<i>3/32</i>
Bar Seal	<i>178</i>	<i>3/16</i>
Bar Seal		

	No. of Feet
Tear Seal	
Bar Seal	
Bar Seal	

*B.B. 3A. 178
grooved up*



Code		Cutting Specs				Code		Cutting Specs			
		Ga.	PCS	Size	Out			Ga.	PCS	Size	Out
Cover Mat.	<i>9 3/4 X 14 1/16</i>		<i>1</i>			Lining Mat.	<i>9 3/4 X 14 1/16</i>		<i>1</i>		
Cover Mat	X					Lining Mat.	X				
Vert. Pckt.	X					Horz. Pckt.	<i>5 1/16 X 7 1/8</i>		<i>1</i>		
Vert. Pckt.	<i>9 3/4 X 6 3/8</i>		<i>1</i>			Horz. Pckt.	X				
Pocket	X					Pocket	X				
Label Holder	X					Card Hlder	X				
Material	X					Material	X				
Material	X					Material	X				
Material	X					Material	X				
F.C. Board	<i>8 7/8 X 6 3/8</i>		<i>1</i>			B.C. Board	<i>8 7/8 X 6 3/8</i>		<i>1</i>		
B.C. Board	X					B.B. Board	X				
Center Board	X					Board	X				
Board	X					Strip	X				
Cover Pad	X					Strip	X				
						B.B. Pad	X				

Product Code

Style Case *Pad Holder*

Sheet Size *5 X 3* Cap.

Die No. *3639*

Order No. *953207*

Plate

Customer

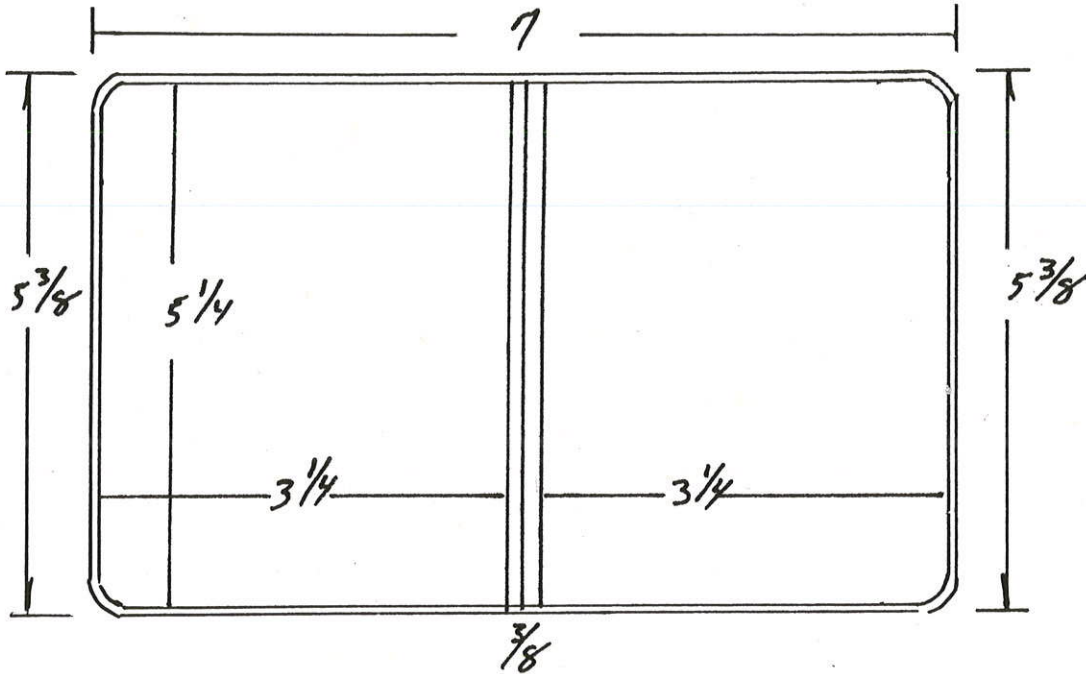
Monterey Coal Co.

Metal	
Total Vinyl	<i>.030</i>
Quantity	<i>55</i>
Date	<i>10-17-86</i>
Type Corners	<i>R2</i>
Radius	<i>3/32</i>
Completed	

	Gauge	Thick
Tear Seal	<i>.016</i>	<i>3/32</i>
Bar Seal	<i>178</i>	<i>3/16</i>
Bar Seal		

	No. of Feet
Tear Seal	
Bar Seal	
Bar Seal	

*B.B. to be 2pc
3/16 grooved up*

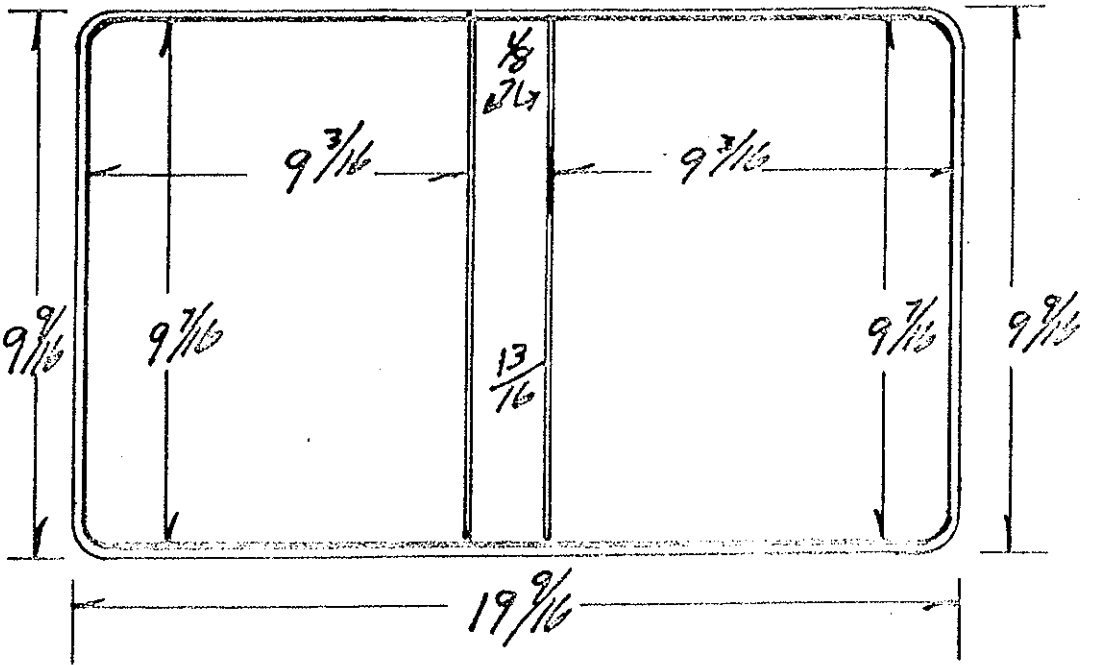


Code	Cutting Specs				Code	Cutting Specs			
	Ga.	#	Size	Out		Ga.	#	Size	Out
Cover Mat.			<i>6 X 7 3/4</i>	<i>1</i>	Lining Mat.			<i>6 X 7 3/4</i>	<i>1</i>
Cover Mat			X		Lining Mat.			X	
Vert. Pckt.			X		Horz. Pckt.			X	
Vert. Pckt.			X		Horz. Pckt.			X	
Pocket			X		Pocket			X	
Label Holder			X		Card Holder			X	
Material			X		Material			X	
Material			X		Material			X	
Material			X		Material			X	
F.C. Board			<i>5 1/8 X 3 1/8</i>	<i>1</i>	B.C. Board			<i>5 1/8 X 3 1/8</i>	<i>1</i>
B.C. Board			X		B.B. Board			X	
Center Board			X		Board			X	
Board			X		Strip			X	
Cover Pad			X		Strip			X	
					B.B. Pad			X	

Code AS Sample Style Case Red holder
 Overall Size 9 3/16 X 9 1/4 Cap. 78 Die No. 3731 Order No. 954336 Plate

VBFC Sample

Corner	
al Vinyl	.030
ntity	2
e	2-3-77
e Corners	RD
ius	332
pleted	



	Gauge	Thick
r Seal	10/16	332
Seal	23	1/8
Seal		

	No. of Feet
r Seal	
Seal	
Seal	

Code	Cutting Specs				Code	Cutting Specs			
	Ga.	Pcs	Size	Out		Ga.	Pcs	Size	Out
r Mat.		1	10 9/16 X 20 9/16		Lining Mat.		1	10 9/16 X 9 1/4	
er Mat.			10 9/16 X 20 9/16		Lining Mat.		1		
. Pckt.			X		Horz. Pckt.			X	
. Pckt.			X		Horz. Pckt.			X	
cket			X		Pocket			X	
l Holder			X		Card Holder			X	
erial			X		Material			X	
erial			X		Material			X	
erial			X		Material			X	
. Board		1	9 3/8 X 9 1/8		B.C. Board		1	9 3/8 X 9 1/8	
Board			X		B.B. Board			X	
er Board			X		Board			X	
rd			X		Strip			X	
er Pad			X		Strip			X	
					B.B. Pad			X	

Product Code Overall Size F.C.

Style Case Folder Pad Holder

Sheet Size 12 X 9 3/4 Cap.

Die No. 3754

Order No. 58514

Plate

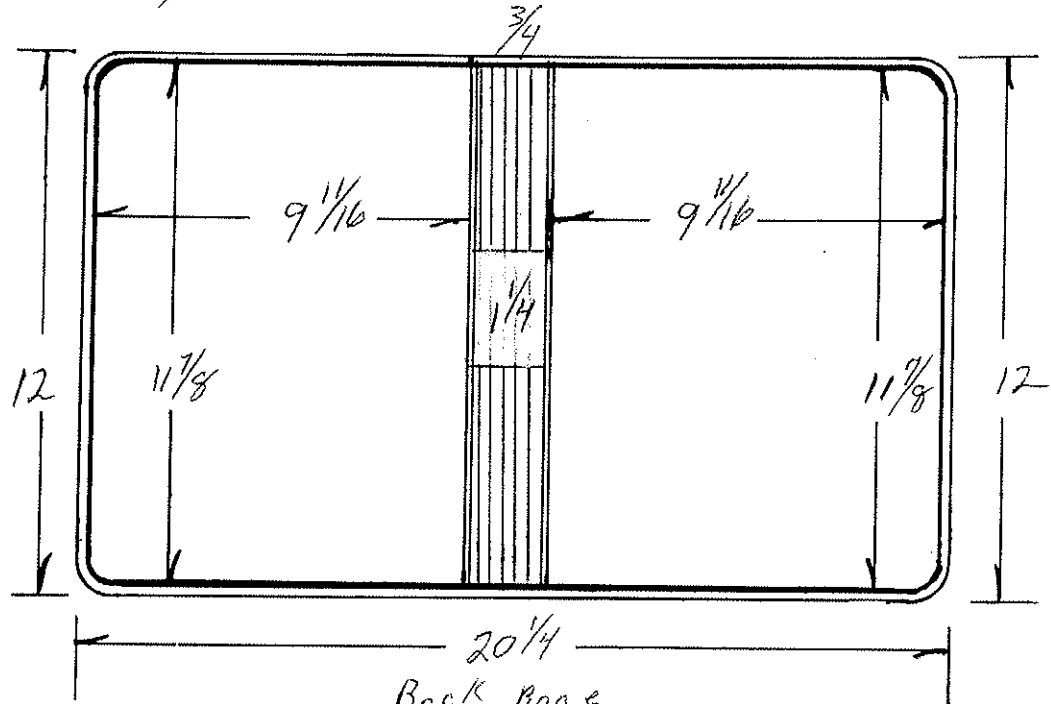
Customer

Military Service Co.

Metal
Total Vinyl <u>.030</u>
Quantity <u>500</u>
Date <u>7/11/87</u>
Type Corners <u>RD</u>
Radius <u>1/4</u>
Completed

	Gauge	Thick
Tear Seal	<u>.016</u>	<u>3/32</u>
Bar Seal	<u>178</u>	<u>3/16</u>
Bar Seal		

	No. of Feet
Tear Seal	
Bar Seal	
Bar Seal	



Code		Cutting Specs		Code		Cutting Specs			
		Ga.	# PCS	Size	Out	Ga.	# PCS	Size	Out
Cover Mat.	<u>12 5/8 X 21</u>		<u>1</u>			Lining Mat.		<u>12 5/8 X 21</u>	
Cover Mat	X					Lining Mat.		X	
Vert. Pckt.	X					Horz. Pckt.		<u>5 3/8 X 20 7/8</u>	<u>1</u>
Vert. Pckt.	X					Hbrz. Pckt.		X	
Pocket	X					Pocket		X	
Label Holder	X					Card Holder		X	
Material	X					Material		X	
Material	X					Material		X	
Material	X					Material		X	
F.C. Board	<u>11 25/32 X 9 19/32</u>		<u>1</u>			B.C. Board		<u>11 25/32 X 9 19/32</u>	<u>1</u>
B.C. Board	X					B.B. Board		X	
Center Board	X					Board		X	
Board	X					Strip		X	
Cover Pad	X					Strip		X	
						B.B. Pad		X	

Product Code

Style Case *pad holder*

Sheet Size *14 X 8 1/2* Cap. *1*

Die No. *3800*

Order No. *955433*

Plate

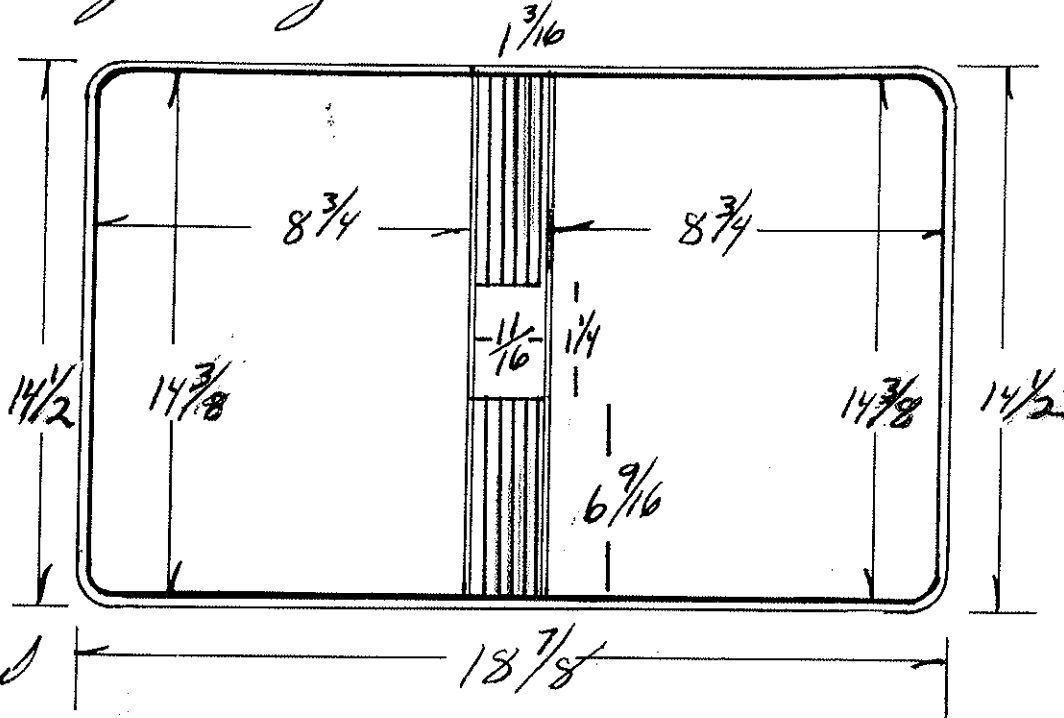
Customer

Burger King Corp.

Metal
Total Vinyl <i>.030</i>
Quantity <i>1,000</i>
Date
Type Corners <i>Rd</i>
Radius <i>1/4</i>
Completed

	Gauge	Thick
Tear Seal	<i>.016</i>	<i>3/32</i>
Bar Seal	<i>178</i>	<i>3/16</i>
Bar Seal		

	No. of Feet
Tear Seal	
Bar Seal	
Bar Seal	



*B.B. To be
6 Pcs 178 grooved
UP*

Code		Cutting Specs		Code		Cutting Specs	
Ga.	# PCS	Size	Out	Ga.	# PCS	Size	Out
Cover Mat.		<i>15 1/8 X 19 5/8</i>		Lining Mat.	<i>514</i>	<i>15 1/8 X 19 5/8</i>	
Cover Mat		X		Lining Mat	<i>5081</i>	<i>16 X 20 3/8</i>	<i>IF Die Cut</i>
Vert. Pckt.		X		Horz. Pckt.		<i>13 1/4 X 9 3/8</i>	
Vert. Pckt.		<i>15 1/8 X 8 1/8</i>	<i>1</i>	Horz. Pckt.		<i>13 1/4 X 9 3/8</i>	<i>2</i>
Pocket		X		Pocket	<i>Diag</i>	<i>14 1/2 X 9</i>	<i>1/2</i>
Label Holder		X		Card holder		X	
Material		X		Material		X	
Material		X		Material		X	
Material		X		Material		X	
F.C. Board		<i>14 5/16 X 8 1/16</i>	<i>100 1</i>	B.C. Board		<i>14 5/16 X 8 1/16</i>	<i>100 1</i>
B.C. Board		X		B.B. Board		X	
Center Board		X		Board		X	
Board		X		Strip		X	
Cover Pad		X		Strip		X	
				B.B. Pad		X	

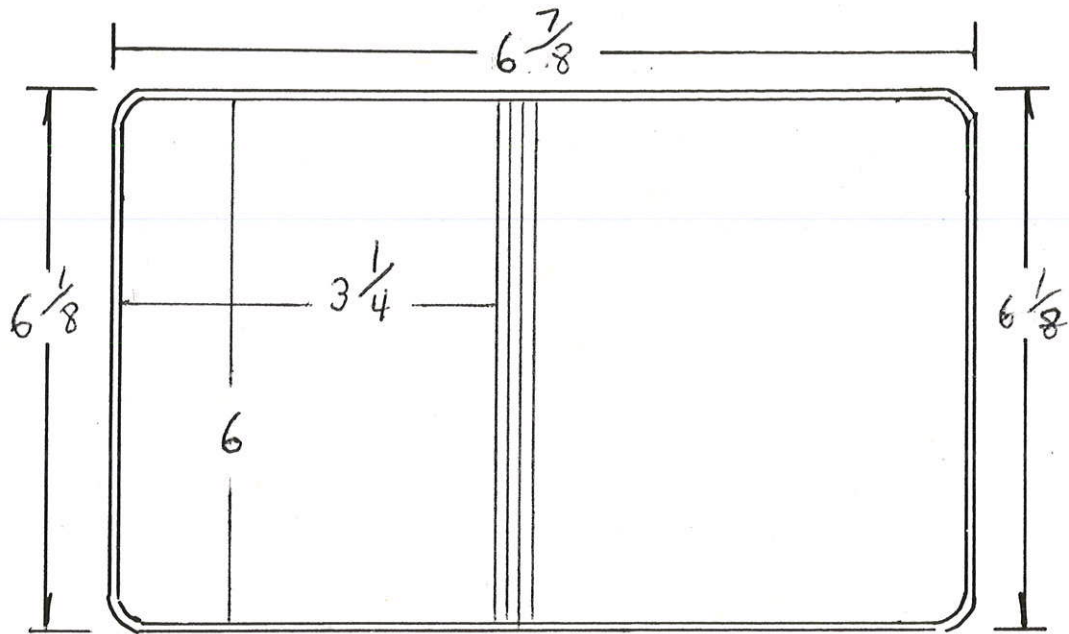
Product Code

Style Case Pad Holders

Sheet Size 5 1/2 x 3 Cap. 14 Die No. 3927 Order No. 957341 Plate

Customer Magic City OFFice Supply

Metal
Total Vinyl
Quantity
Date
Type Corners <u>Rd</u>
Radius <u>3/32</u>
Completed



	Gauge	Thick
Tear Seal	<u>16</u>	<u>3/32</u>
Bar Seal	<u>102</u>	
Bar Seal		

	No. of Feet
Tear Seal	
Bar Seal	
Bar Seal	

1 1/4 1 2 pieces of F 107
2 pieces of F Lead .042

Code	Cutting Specs				Code	Cutting Specs			
	Ga.	PCS	Size	Out		Ga.	Pcs.	Size	Out
Cover Mat.			<u>6 3/4 x 7 5/8</u>		Lining Mat.			<u>6 3/4 x 7 5/8</u>	
Cover Mat.			X		Lining Mat.			X	
Vert. Pckt.			X		Horz. Pckt.			X	
Vert. Pckt.			X		Horz. Pckt.			X	
Pocket			X		Pocket			X	
Label Holder			X		Card Holder			X	
Material			X		Material			X	
Material			X		Material			X	
Material			X		Material			X	
F.C. Board			<u>5 15/16 x 3 3/16</u>		B.C. Board			<u>5 15/16 x 3 3/16</u>	
B.C. Board			X		B.B. Board			X	
Center Board			X		Board			X	
Board			X		Strip			X	
Cover Pad			X		Strip			X	
					B.B. Pad			X	

Product Code

Style Case Vinyl Pad Hold

Sheet Size Per Sample X

Cap.

Die No. 3946

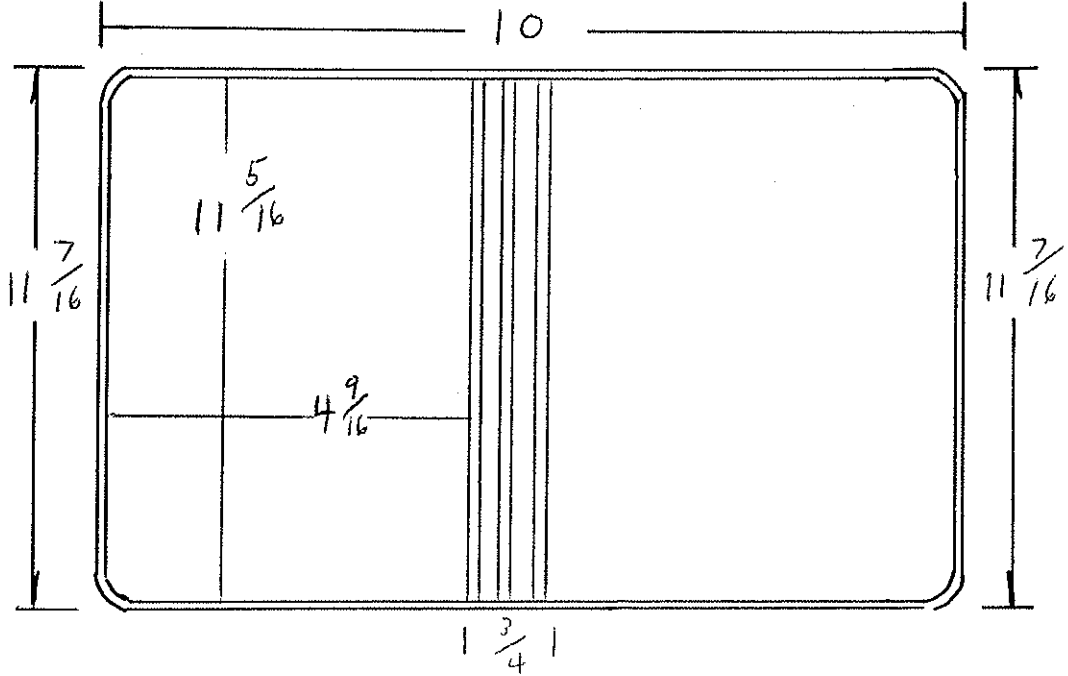
Order No. 957827

Plate

Customer Firsta Cantina

2 pcs $\frac{1}{4}$ Lead With 3 bars

Metal
Total Vinyl
Quantity <u>100</u>
Date
Type Corners <u>Rd</u>
Radius <u>3/32</u>
Completed



	Gauge	Thick
Tear Seal	<u>16</u>	<u>272</u>
Bar Seal	<u>102</u>	<u>272</u>
Bar Seal		

	No. of Feet
Tear Seal	
Bar Seal	
Bar Seal	

Code	Cutting Specs				Code	Cutting Specs			
	Ga.	# PCS	Size	Out		Ga.	# Pcs.	Size	Out
Cover Mat.			<u>12 1/16 X 10 3/4</u>	<u>1</u>	Lining Mat.			<u>12 1/16 X 10 3/4</u>	<u>1</u>
Cover Mat			X		Lining Mat.			X	
Vert. Pckt.			<u>10 7/8 X 4 3/4</u>		Horz. Pckt.			X	
Vert. Pckt.			X		Horz. Pckt.			X	
Pocket			X		Pocket			X	
Label Holder			X		Card Holder			X	
Material			X		Material			X	
Material			X		Material			X	
Material			X		Material			X	
F.C. Board			<u>11 7/32 X 4 15/32</u>	<u>1</u>	B.C. Board			<u>11 7/32 X 4 15/32</u>	<u>1</u>
B.C. Board			X		B.B. Board			X	
Center Board			X		Board			X	
Board			X		Strip			X	
Cover Pad			X		Strip			X	
					B.B. Pad			X	

Product Code

Style Case *Pad Holder*

Sheet Size ~~9 1/2 x 11~~ *11 x 8 1/2*

Cap.

Die No. *3949*

Order No. *957578*

Plate

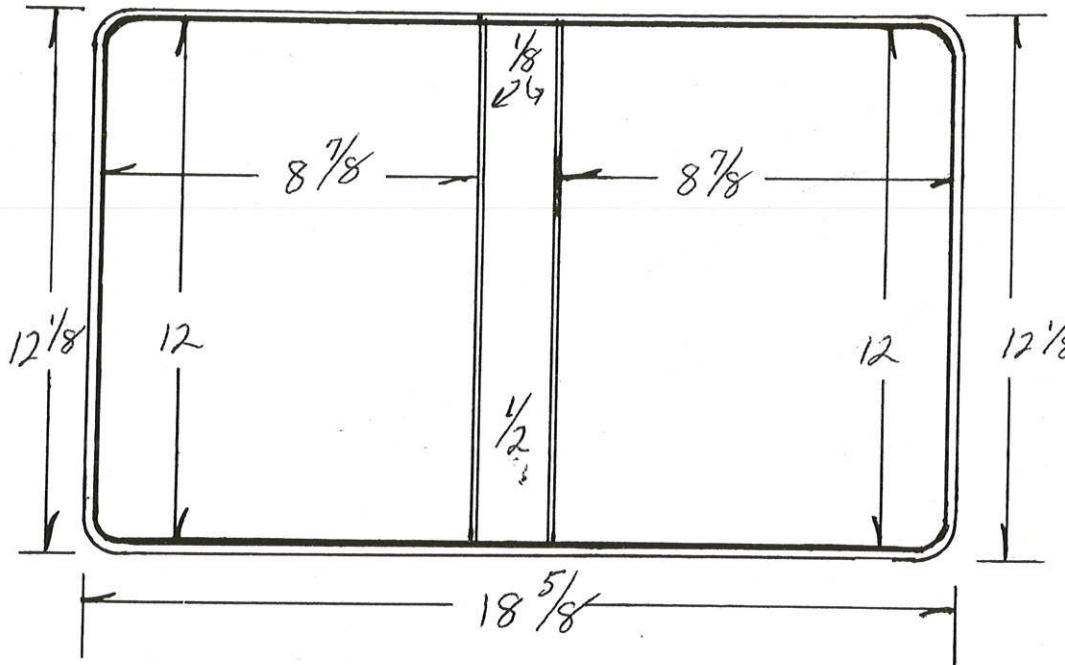
Customer

Colartile

Metal	
Total Vinyl	<i>.030</i>
Quantity	<i>950</i>
Date	<i>1/21/88</i>
Type Corners	<i>Rd</i>
Radius	<i>1/4</i>
Completed	

	Gauge	Thick
Tear Seal	<i>.016</i>	<i>3/32</i>
Bar Seal	<i>253</i>	<i>1/8</i>
Bar Seal		

	No. of Feet
Tear Seal	
Bar Seal	
Bar Seal	



Code	Ga.	# PCS	Cutting Specs		Code	Ga.	# Pcs.	Cutting Specs	
			Size	Out				Size	Out
Cover Mat.		<i>1</i>	<i>12 3/4 X 19 3/8</i>		Lining Mat.		<i>1</i>	<i>12 3/4 X 19 3/8</i>	
Cover Mat. <i>Padded</i>		<i>1</i>	<i>13 1/8 X 19 5/8</i>		Lining Mat. <i>Padded</i>		<i>1</i>	<i>13 1/8 X 19 5/8</i>	
Vert. Pckt.			<i>X</i>		Horz. Pckt.			<i>X</i>	
Vert. Pckt.			<i>X</i>		Horz. Pckt.			<i>X</i>	
Pocket			<i>X</i>		Pocket <i>diagonal 10</i>		<i>1</i>	<i>10 X 10</i>	
Label Holder			<i>X</i>		Card Holder			<i>X</i>	
Material			<i>X</i>		Material			<i>X</i>	
Material			<i>X</i>		Material			<i>X</i>	
Material			<i>X</i>		Material			<i>X</i>	
F.C. Board			<i>11 29/32 X 8 25/32</i>		B.C. Board		<i>1</i>	<i>11 29/32 X 8 25/32</i>	
B.C. Board			<i>X</i>		B.B. Board			<i>X</i>	
Center Board			<i>X</i>		Board			<i>X</i>	
Board			<i>X</i>		Strip			<i>X</i>	
Cover Pad			<i>X</i>		Strip			<i>X</i>	
					B.B. Pad			<i>X</i>	

Product Code Same Sample As

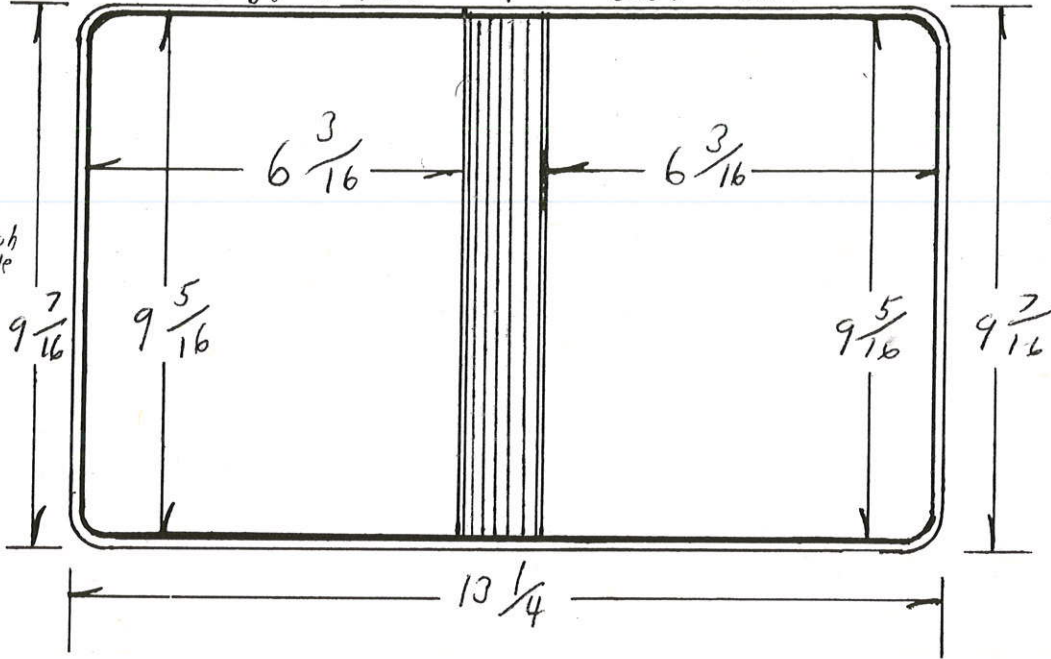
Style Case Pad Holder

Sheet Size 9 X 6 Cap. Die No. 4004 Order No. 958645 Plate

Customer Dept. of State - Foreign Svcs. Institute

Metal
Total Vinyl
Quantity
Date
Type Corners <u>Rd</u>
Radius <u>3/32</u>
Completed

102 bars
To be 7 bars $1 \frac{3}{4}$ Thin Lead between Each one



Gauge	Thick
Bar Seal 16	<u>3/32</u>
Bar Seal 102	<u>3/32</u>
Bar Seal	

stick Rule

No. of Feet	
Bar Seal	
Bar Seal	
Bar Seal	

Die ~~to~~ To me made out of stick Rule

Code	Cutting Specs				Code	Cutting Specs			
	Ga.	#	PCS	Size		Ga.	#	PCS	Size
Cover Mat.			14	1	Lining Mat.			14	1
Cover Mat.			X		Lining Mat.			X	
Vert. Pckt.			X		Horz. Pckt.			X	
Vert. Pckt.			X		Horz. Pckt.			X	
Pocket			X		Pocket			X	
Label Holder			X		Card Holder			X	
Material			X		Material			X	
Material			X		Material			X	
Material			X		Material			X	
F.C. Board			<u>9 7/32 X 6 3/32</u>	1	B.C. Board			<u>9 7/32 X 6 3/32</u>	1
B.C. Board			X		B.B. Board			X	
Center Board			X		Board			X	
Board			X		Strip			X	
Cover Pad			X		Strip			X	
					B.B. Pad			X	

Product Code

Style Case PAD HOLDER

Sheet Size 8 1/2 x 5 1/2 Cap.

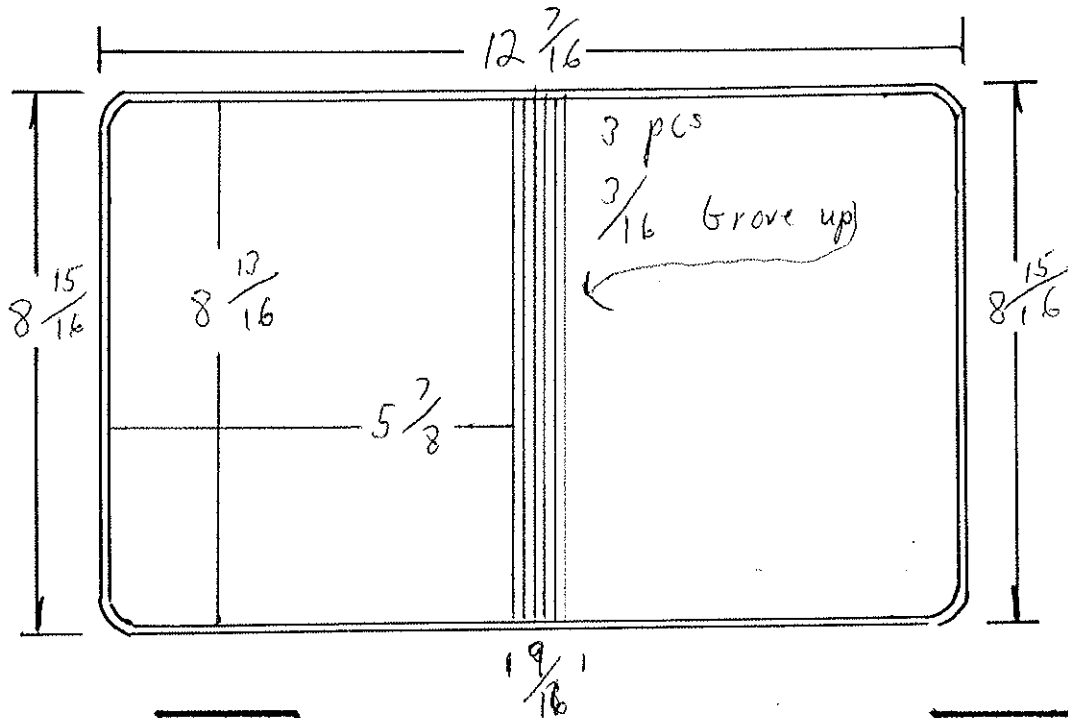
Die No. 4059

Order No. 959851

Plate

Customer Texas Instruments

Metal
Total Vinyl
Quantity
Date
Type Corners <u>RD</u>
Radius <u>1/4</u>
Completed



	Gauge	Thick
Tear Seal	16	202
Bar Seal	3/16	178
Bar Seal		

	No. of Feet
Tear Seal	
Bar Seal	
Bar Seal	

Code	Ga.	# PCS	Cutting Specs		Code	Ga.	# Pcs.	Cutting Specs	
			Size	Out				Size	Out
Cover Mat.		1	9 15/16 X 13 7/16		Lining Mat.		1	9 15/16 X 13 7/16	
Cover Mat			X		Lining Mat.			X	
Vert. Pckt.			X		Horz. Pckt.		1	4 3/8 X 6 1/2	
Vert. Pckt.			X		Horz. Pckt.			X	
Pocket			X		Pocket			X	
Label Holder			X		Card Holder			X	
Material			X		Material			X	
Material			X		Material			X	
Material			X		Material			X	
F.C. Board		1	8 23/32 X 5 25/32		B.C. Board		1	8 23/32 X 5 25/32	
B.C. Board			X		B.B. Board			X	
Center Board			X		Board			X	
Board			X		Strip			X	
Cover Pad			X		Strip			X	
					B.B. Pad			X	

Product Code

Style Case

Rad
BOOK HOLDER

Sheet Size 11 x 8 1/2 Cap. 1/2

Die No. 4159

Order No. 58965.1

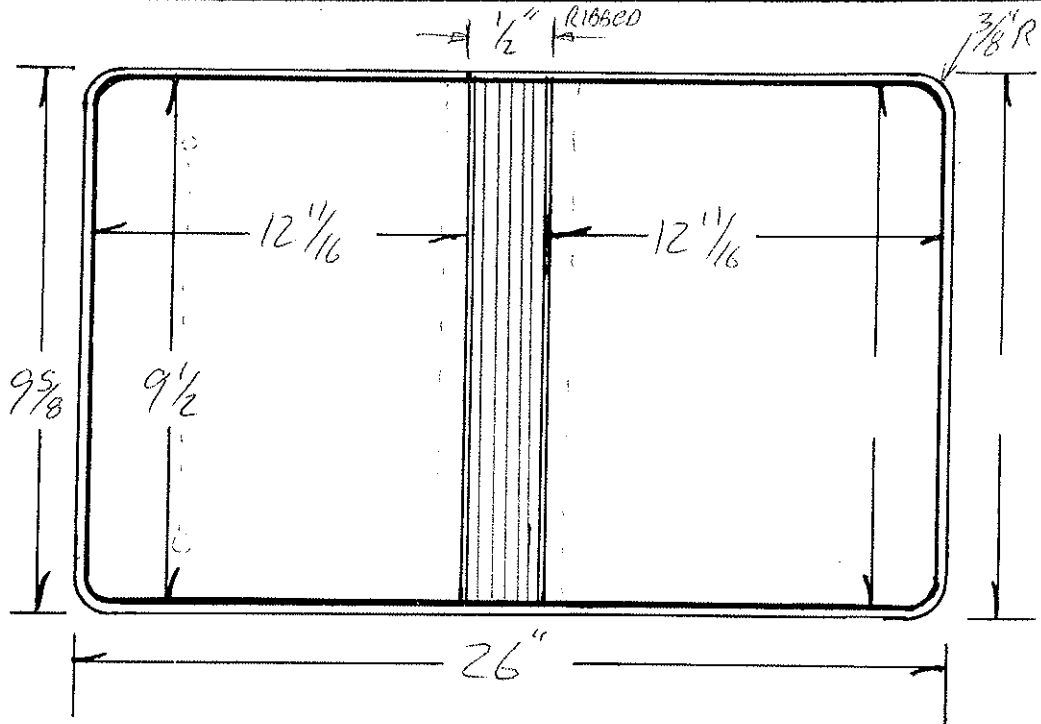
Plate

Customer EBSCO IND

Metal
Total Vinyl
Quantity
Date
Type Corners RND
Radius 3/8
Completed

	Gauge	Thick
Tear Seal	16	3/32
Bar Seal		1/16"
Bar Seal		

	No. of Feet
Tear Seal	
Bar Seal	
Bar Seal	



SLIT = 8 1/2" C-C - 2 1/2" FROM EDGE F.L.C.

PKT. OPENINGS 5/16" FROM SPINE

Code	Ga.	PCS	Cutting Specs		Code	Ga.	Pcs.	Cutting Specs	
			Size	Out				Size	Out
Cover Mat.		10 3/8 X 27	15	1	Lining Mat.		10 3/8 X 27	15	1
Cover Mat		X			Lining Mat.		X		
Vert. Pckt.		X			Horz. Pckt.		X		
Vert. Pckt.		X			Horz. Pckt.		X		
Pocket	LCRA	10 3/8 X 12 7/8	8	1	Pocket		10 3/8 X 12 7/8	15	1
Label Holder		X			Card Holder		X		
Material		X			Material		X		
Material		X			Material		X		
Material		X			Material		X		
F.C. Board	Flex	9 1/32 X 12 19/32	48	1	B.C. Board		X		
B.C. Board	Flex	9 1/32 X 12 19/32	48	1	B.B. Board		X		
Center Board		X			Board		X		
Board		X			Strip		X		
Cover Pad		X			Strip		X		
					B.B. Pad		X		

Product Code Ribbed BB

Style Case PADHOLDER

Sheet Size 10 7/8 x 8 1/4 Cap. 1"

Die No. 4266

Order No. 963398

Plate

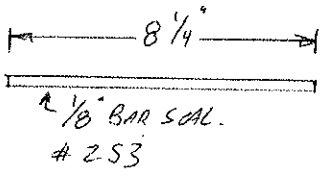
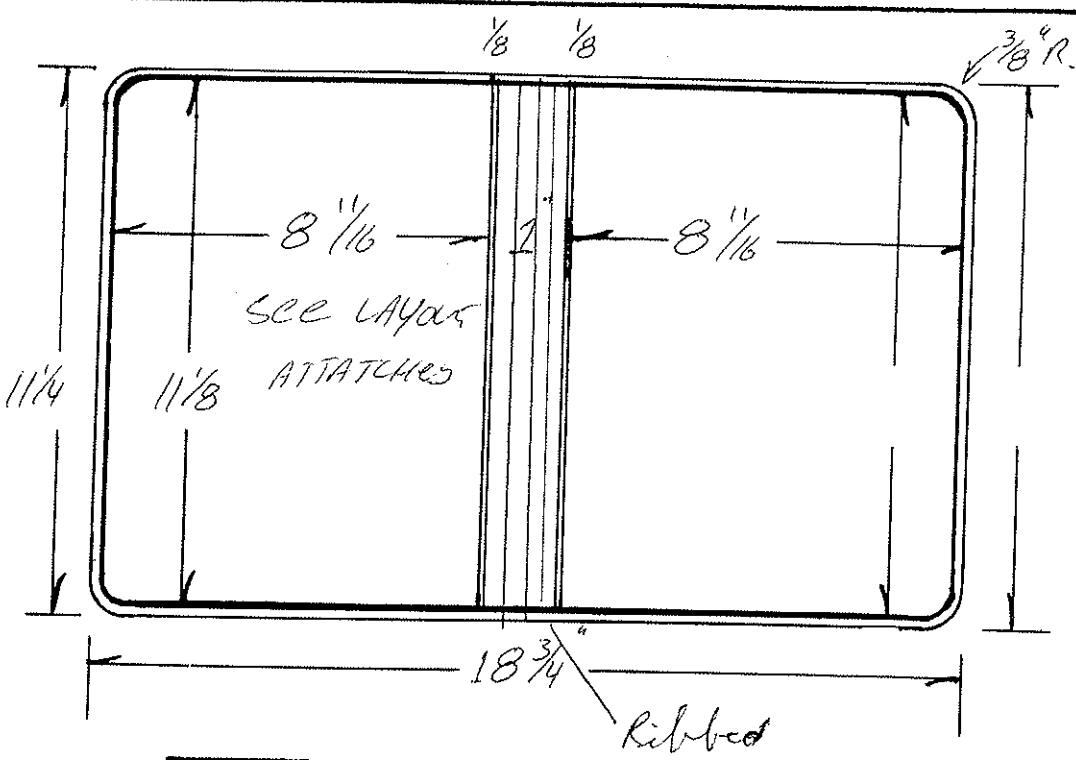
H B J

Customer

Metal
Total Vinyl
Quantity <u>6</u>
Date <u>8-22-89</u>
Type Corners <u>100</u>
Radius <u>3/8"</u>
Completed

	Gauge	Thick
Tear Seal	<u>016</u>	<u>3/2</u>
Bar Seal	<u>#253</u>	<u>1/8</u>
Bar Seal		

	No. of Feet
Tear Seal	
Bar Seal	
Bar Seal	



Code	Ga.	# PCS	Cutting Specs		Code	Ga.	# Pcs.	Cutting Specs					
			Size	Out				Size	Out				
Cover Mat.		12	X	19 1/2	15	1	Lining Mat.		12	X	19 1/2	15	1
Cover Mat.			X		Lining Mat.			X					
Vert. Pckt.			X		Horz. Pckt.			3 7/8	X	6 9/16	8	1	
Vert. Pckt.		12	X	8 1/8	8	1	Horz. Pckt.		3 5/8	X	6 9/16	8	3
Pocket			X		Pocket		COL	11 5/8	X	19 1/2			
Label Holder			X		Card Hlder			X					
Material			X		Material			X					
Material			X		Material			X					
Material			X		Material			X					
F.C. Board		11 1/32	X	8 19/32	100	1	B.C. Board			X			
B.C. Board		11 1/32	X	8 19/32	100	1	B.B. Board			X			
Center Board			X		Board			X					
Board			X		Strip			X					
Cover Pad			X		Strip			X					
					B.B. Pad			X					

Product Code

Style Case PADHOLDER

Sheet Size 8 1/2 X 4 1/2 Cap. 1/4

Die No. 4377

Order No. 964709

Plate

Customer

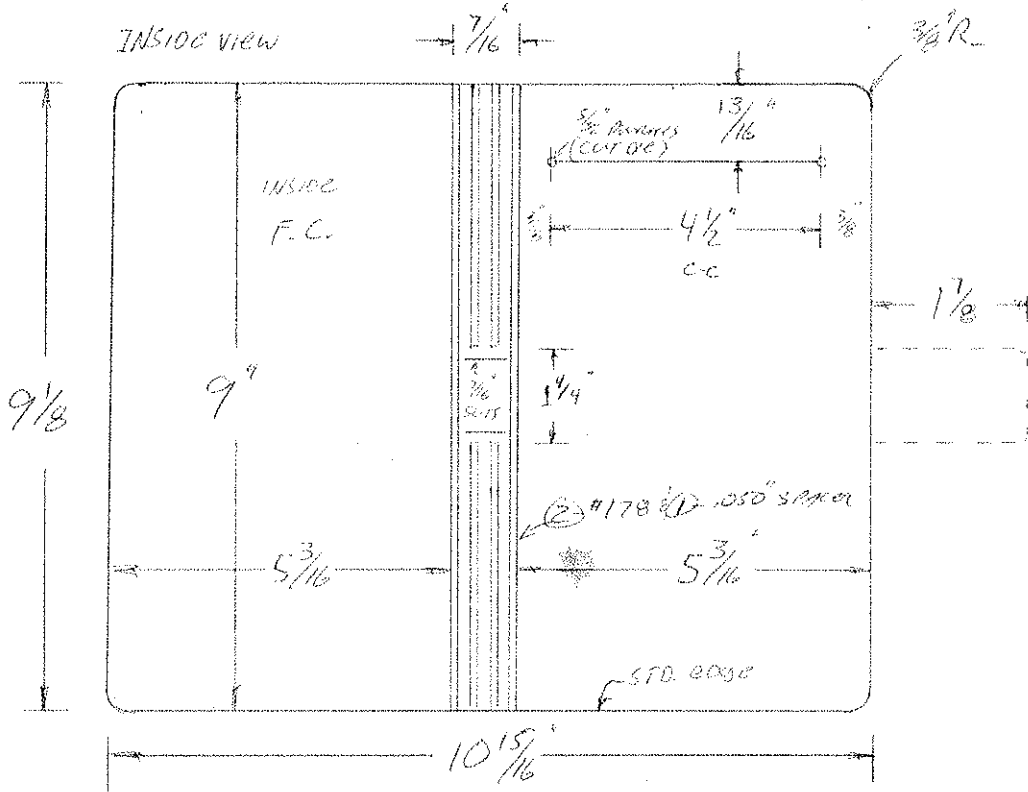
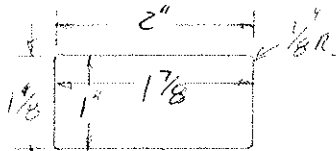
A. H. CATHER PUBLISHING CO.

Metal
Total Vinyl
Quantity <u>600</u>
Date <u>2-8-40</u>
Type Corners
Radius <u>3/8"</u>
Completed

	Gauge	Thick
Tear Seal	<u>014</u>	<u>1/16</u>
Bar Seal	<u>#178</u>	<u>3/16</u>
Bar Seal		

	No. of Feet
Tear Seal	
Bar Seal	
Bar Seal	

SIZE - 6-PAGE
CHECK - KPV



REQUIRES CUT DIE FOR LINING

Code	Ga.	PCS	Cutting Specs		Code	Ga.	Pcs.	Cutting Specs			
			Size	Out				Size	Out		
Cover Mat.			9 3/4" X 11 3/4"	15	1	Lining Mat.			10 3/4" X 12 3/4"	15	1
Cover Mat.			X			Lining Mat.			X		
Vert. Pckt.			X			Horz. Pckt.			X		
Vert. Pckt.			X			Horz. Pckt.			X		
Pocket			X			Pocket			X		
Label Holder			X			Card Hldr			X		
Material			X			Material	STRAP	2" X 2 3/4"	15	2	
Material			X			Material			X		
Material			X			Material			X		
F.C. Board			8 29/32" X 5 3/32"	100	1	B.C. Board			X		
B.C. Board			8 29/32" X 5 3/32"	100	1	B.B. Board			X		
Center Board			X			Board			X		
Board			X			Strip			X		
Cover Pad			X			Strip			X		
						B.B. Pad			X		

Product Code

Style Case *PAD HOC Oes*

Sheet Size *9 X 6 1/2* Cap. *3/8*

Die No. *4379*

Order No. *964781*

Plate

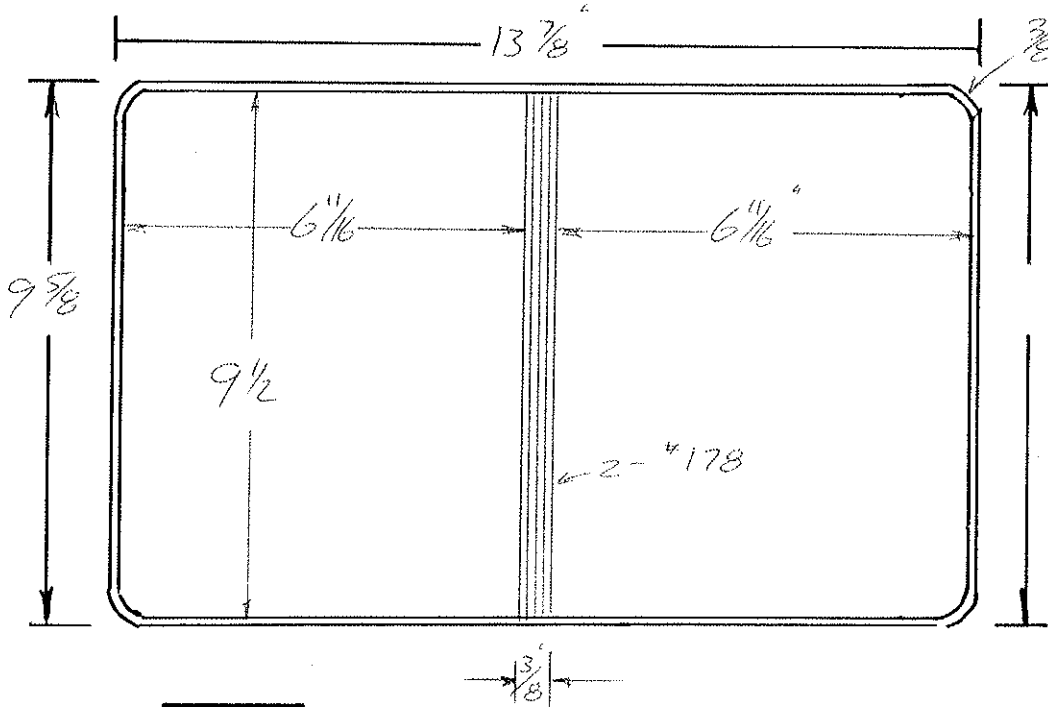
Customer

TEXAS A&M UNIVERSITY

Metal
Total Vinyl
Quantity
Date
Type Corners
Radius <i>3/8" R.</i>
Completed

	Gauge	Thick
Tear Seal	<i>014</i>	<i>1/16</i>
Bar Seal		
Bar Seal		

	No. of Feet
Tear Seal	
Bar Seal	
Bar Seal	



SICC - B. PAGE
CHECK - KPJ

Code	Ga.	# PCS	Cutting Specs		Code	Ga.	# Pcs.	Cutting Specs	
			Size	Out				Size	Out
Cover Mat.		<i>10 3/8 X 14 3/4</i>		<i>1</i>	Lining Mat.		<i>10 3/8 X 14 3/4</i>		<i>1</i>
Cover Mat		X			Lining Mat.		X		
Vert. Pckt.		X			Horz. Pckt. <i>J.B.C.</i>		<i>8 1/2 X 7 1/8</i>	<i>15</i>	<i>1</i>
Vert. Rckt.		X			Horz. Pckt.		X		
Pocket		X			Pocket <i>DIAG</i>		<i>7 1/8 X 7 1/8</i>	<i>15</i>	<i>1/2</i>
Label Holder		X			Card Holder		X		
Material		X			Material		X		
Material		X			Material		X		
Material		X			Material		X		
F.C. Board		<i>9 13/32 X 6 19/32</i>	<i>35</i>	<i>1</i>	B.C. Board		X		
B.C. Board		<i>9 13/32 X 6 19/32</i>	<i>35</i>	<i>1</i>	B.B. Board		X		
Center Board		X			Board		X		
Board		X			Strip		X		
Cover Pad		X			Strip		X		
					B.B. Pad		X		

Product Code

Style Case *BSSH COVER*

Pad 10/6

Sheet Size *11* X *8 1/2* Cap. *3/4-1* Die No. *4956*

Order No. *970963*

Plate *D-3-*

Customer

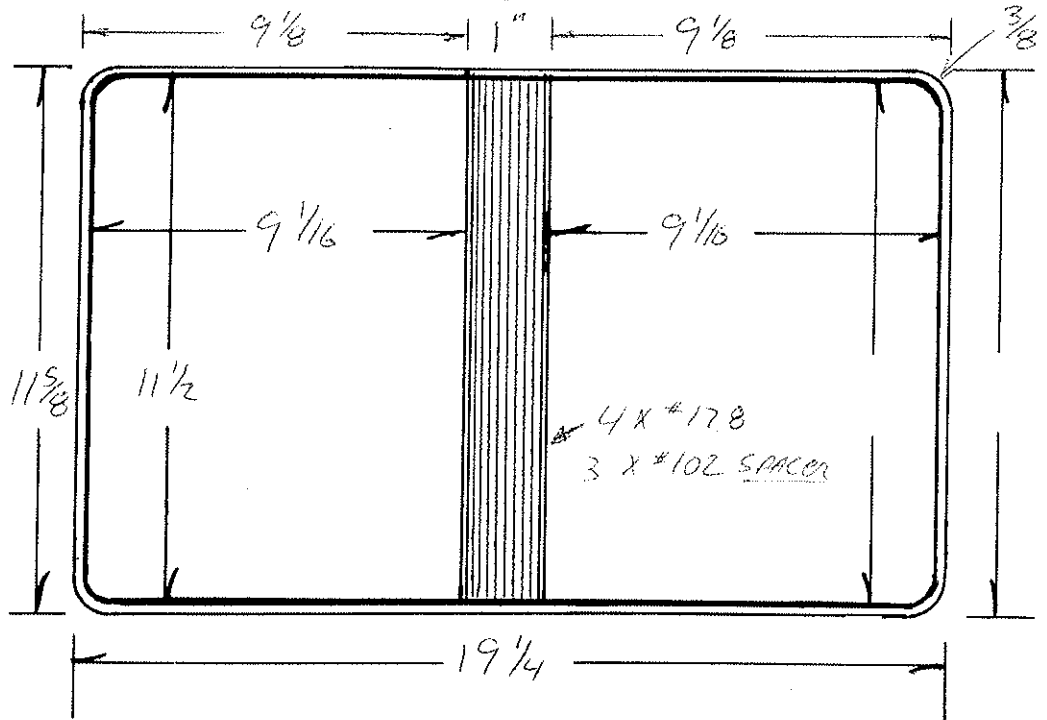
PAK STAR

1-14-9

Metal
Total Vinyl
Quantity <i>3,000</i>
Date <i>1-8-92</i>
Type Corners
Radius <i>3/16"</i>
Completed

	Gauge	Thick
Tear Seal	<i>.014</i>	<i>1/16</i>
Bar Seal		
Bar Seal		

	No. of Feet
Tear Seal	
Bar Seal	
Bar Seal	



OWY - B.P.
CHELA *(KPV)*

Code	Ga.	PCS	Cutting Specs		Code	Ga.	Pcs.	Cutting Specs	
			Size	Out				Size	Out
Cover Mat.			$12 \frac{1}{4}$	20	Lining Mat.			$12 \frac{1}{4}$	20
Cover Mat.				X	Lining Mat.				X
Vert. Pckt.	<i>IBC</i>		$12 \frac{1}{4}$	$9 \frac{1}{8}$	Horz. Pckt.	<i>IFC</i>		$5 \frac{3}{8}$	$19 \frac{1}{2}$
Vert. Pckt.				X	Horz. Pckt.				X
Pocket				X	Pocket				X
Label Holder				X	Card Holder				X
Material				X	Material				X
Material				X	Material				X
Material				X	Material				X
F.C. Board			$11 \frac{7}{16}$	9	B.C. Board				X
B.C. Board			$11 \frac{7}{16}$	9	B.B. Board				X
Center Board				X	Board				X
Board				X	Strip				X
Cover Pad				X	Strip				X
					B.B. Pad				X

Product Code

Style Case PADHOLDER

Sheet Size 11 x 8 1/2 Cap. 3/4

Die No. 5093 ABC Order No. 972583

Plate D-8-54

R.G. CREATIONS

6-30

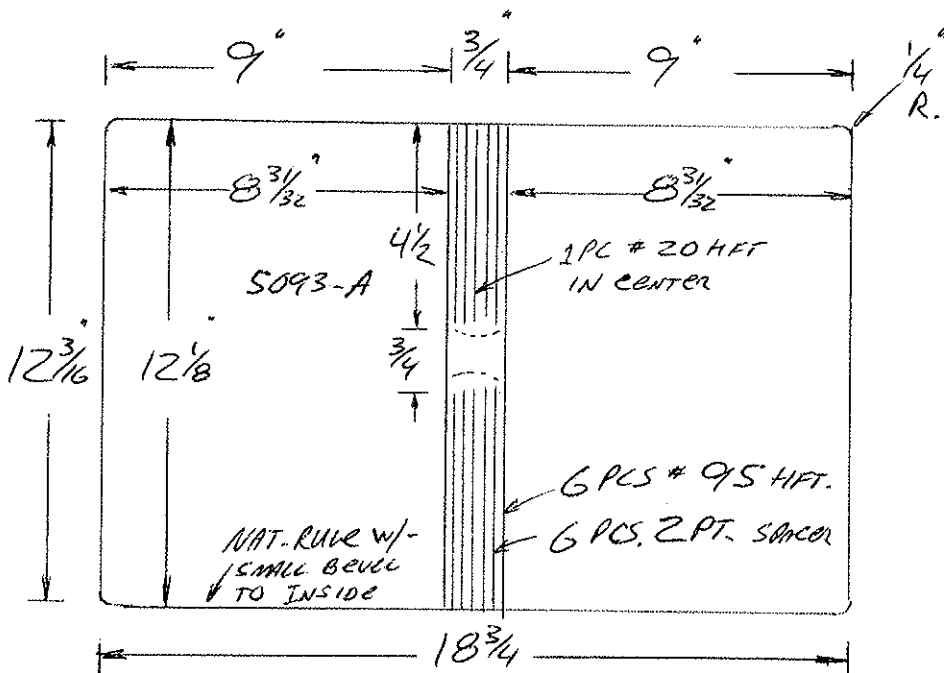
Customer

Metal
Total Vinyl
Quantity <u>1100</u>
Date <u>6-16-92</u>
Type Corners
Radius <u>1/4"</u>
Completed

Gauge	Thick
Tear Seal <u>NAT.</u>	<u>1/16</u>
Bar Seal <u>895+20</u>	
Bar Seal	

No. of Feet	
Tear Seal	
Bar Seal	
Bar Seal	

Dwgs. B. Pace
CHECK

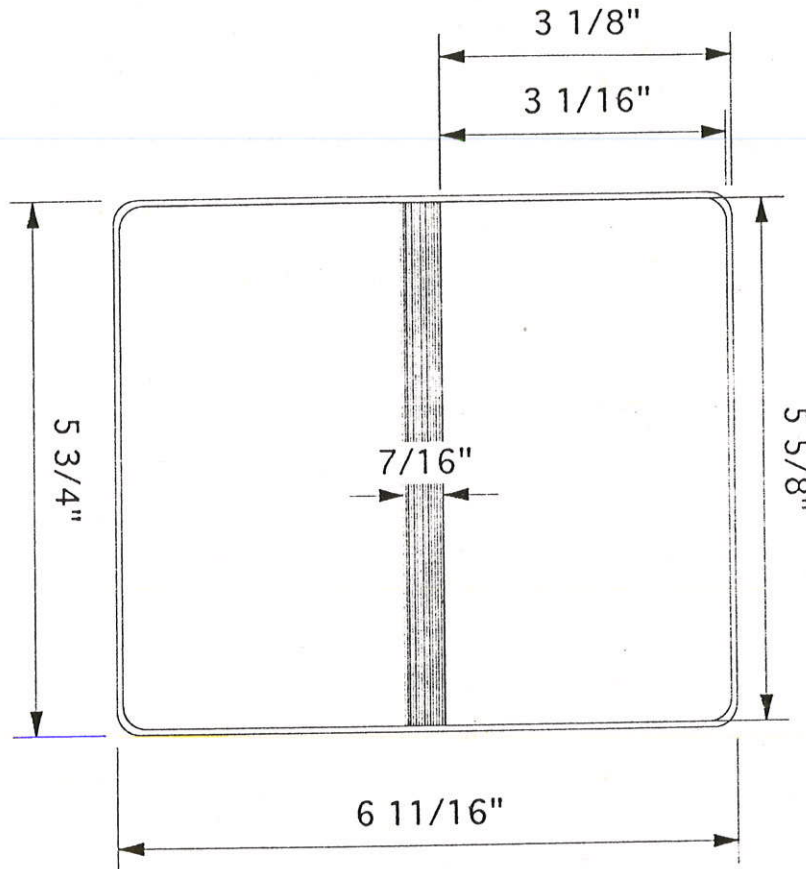


SEE CUTTING DIES →
& POCKET DIE

PER SAMPLE

Code	Ga.	# PCS	Cutting Specs		Code	Ga.	# Pcs.	Cutting Specs			
			Size	Out				Size	Out		
Cover Mat.			13" x 19 1/2"	12	1	Lining Mat.			14" x 20 1/2"	12	1
Cover Mat.			X			Lining Mat.			X		
Vert. Pckt.			X			Horz. Pckt.			X		
Vert. Pckt.			X			Horz. Pckt.			X		
Pocket			10 7/8" x 9 1/4"	12	1	Pocket			X		
Label Holder			X			Card Holder			X		
Material			X			Material			X		
Material			X			Material			X		
Material			X			Material			X		
F.C. Board			X			B.C. Board			X		
B.C. Board			X			B.B. Board			X		
Center Board			X			Board			X		
Board			<u>Paddey</u> 13" x 19 1/4"	100	1	Strip			X		
Cover Pad			X			Strip			X		
						B.B. Pad			X		

DIE # DIE 5468		STYLE CASE VINYL PAD HOLDER		LOCATION	
SHEET SIZE 5 3/8 X 2 1/2		CAP. 7/16		ORDER # 976777	
CUSTOMER DATA ASSOCIATES				DUE DATE	
QUANTITY	1000	RADIUS	1/4	TEAR SEAL	.012
DATE	11-29-93	COMPLETED		BAR SEAL	#20



MATERIAL SPECS		GA	PCS	GA		PCS
COVER MATL	6 1/2 X 7 7/16	1	LINING & Pocket	7 1/2 X 12 5/8	1	
COVER MATL			LINING			
VERT PKT			HORZ PKT			
VERT PKT			HORZPKT			
CARD HOLDER			DIAGONAL PKT			
COL			LABEL HOLDER			
EX COL			GUSSETT			
			REINF			

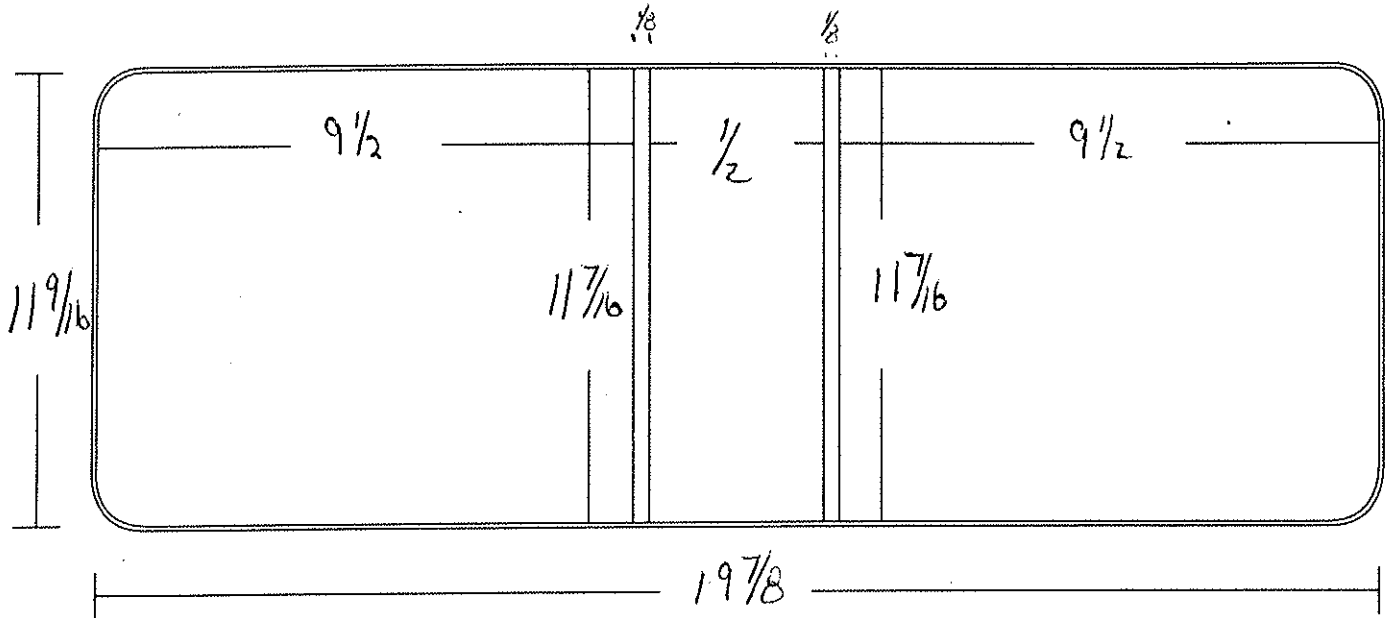
BOARD SPECS					
F.C. BOARD	5 9/16 X 3	1	F.C. BOARD		
B.B. BOARD			B.B. BOARD		
B.C. BOARD	5 9/16 X 3	1	B.C. BOARD		
BU STRIP					

DIE #	5272 ABC	STYLE CASE	Vinyl Pad holder	LOCATION	D16-2
SHEET SIZE	11 x 8 1/2 + 1/2	CAP.		ORDER NO.	974273
CUSTOMER	Club Med Management Serv			DUE DATE	

QUANTITY	2000
DATE	1-25-93

RADIUS	1/4
COMPLETED	

TEAR SEAL	.014
BAR SEAL	253 w groove



MATERIAL

	CODE		GA	PCS		CODE		GA	PCS
COVER MATL		12 5/16 X 20 5/8		1	LINING		12 5/16 X 20 5/8		1
COVER MATL		X			LINING		X		
VERT PKT		X			HORZ PKT		X		
VERT PKT		X			HORZ PKT		X		
CARD HOLDER		X			DIAGONAL PKT		X		
COL		X			LABEL HOLDER		X		
EX. COL		X			GUSSETT		X		
		X			REINF.		X		
		X					X		

PRINTS

FRONT COVER	X	BACK BONE	X	BACK COVER	X
-------------	---	-----------	---	------------	---

BOARDS

	CODE		PT	PCS		CODE		PT	PCS
F.C. BOARD		11 11/32 X 9 13/32		1	F.C. BOARD		11 11/32 X 9 13/32		1
B.B. BOARD		X			B.B. BOARD		X		
B.C. BOARD		X			B.C. BOARD		X		
B. UP STRIP		X					X		

Product Code

Style Case Pad holder

Sheet Size 11

$8\frac{1}{2} \times 1\frac{1}{2}$ Cap.

Die No. 5376

Order No. 975591

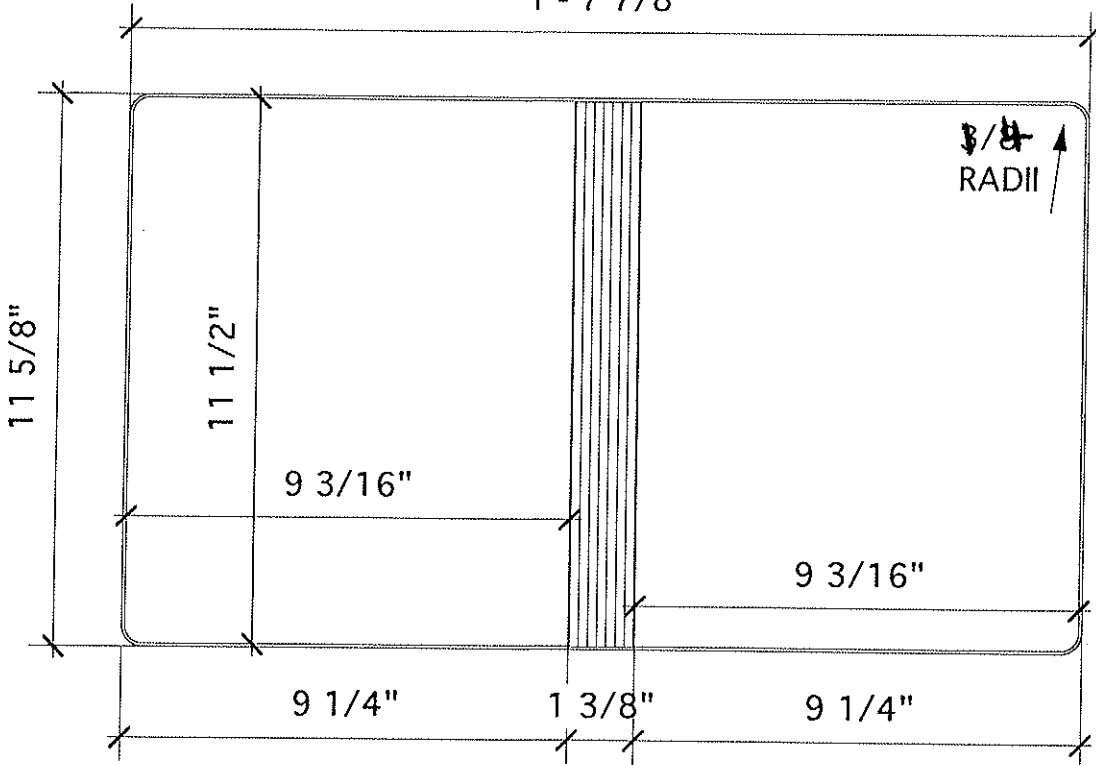
Plate E4-1

Customer	
Material	
Total Vinyl	
Quantity	50
Date	7-14-93
Type Corners	RND
Radius	1/8 1/4
Completed	

Hilton Head Learning Center
1'-7 7/8"

	Gauge	Thick
ear Seal	.014	1/16
ar Seal	178	3/16
ar Seal		

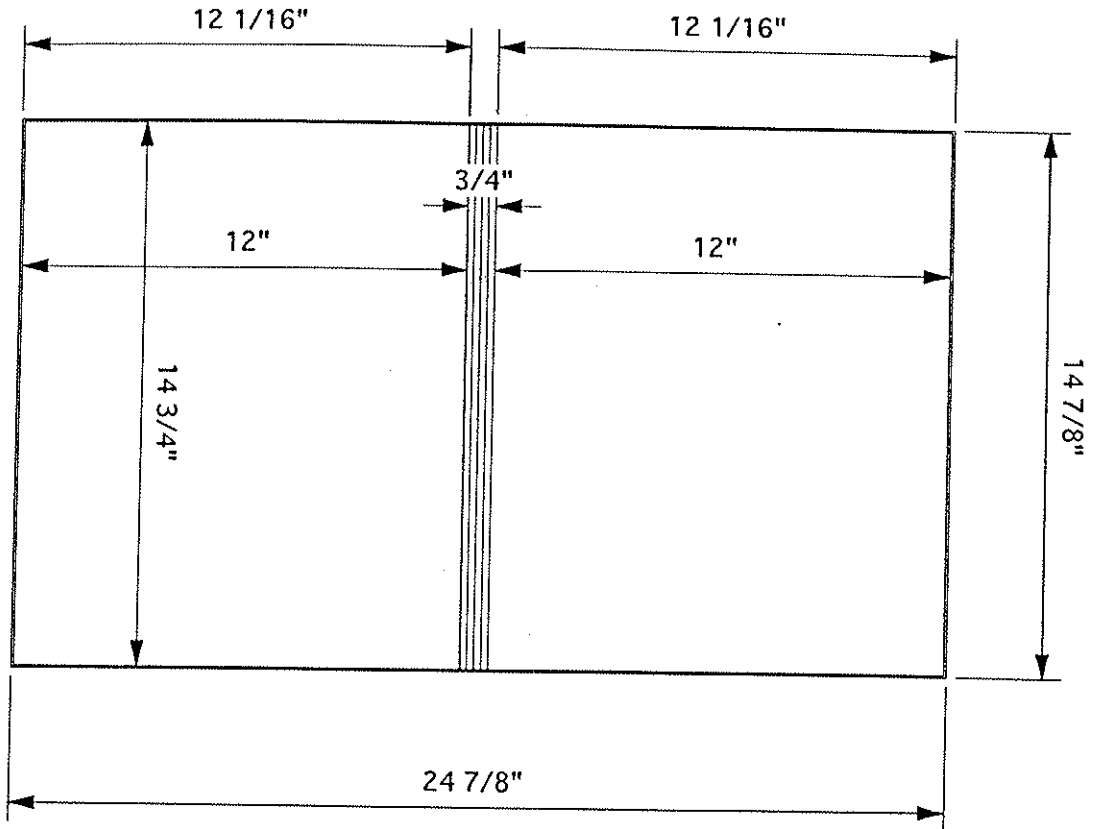
	No. of Feet
ear Seal	
ar Seal	
ar Seal	



Jim

Code	Ga.	Pcs	Size	Out	Code	Ga.	Pcs.	Size	Out
cover Mat.			12 3/8 X 20 5/8		Lining Mat.			12 3/8 X 20 5/8	
cover Mat.			X		Lining Mat.			X	
vert. Pckt.			X		Horz. Pckt.			X	
vert. Rckt.			12 3/8 X 7 9/16		Horz. Pckt.			X	
Pocket			12 3/8 X 9		Pocket			12 3/8 X 9 1/2	
Label Holder			X		Card Holder			10 7/8 X 9 1/2	
Material			X		Material			X	
Material			X		Material			X	
Material			X		Material			X	
B.C. Board Padded			12 13/32 X 19 11/16		B.C. Board			X	
B.C. Board			X		B.B. Board			X	
Inter Board			X		Board			X	
Board			X		Strip			X	
cover Pad			X		Strip			X	
					B.B. Pad			X	

DIE # 5636		STYLE CASE PAD HOLDER		LOCATION M 5-4	
SHEET SIZE 13 3/4 X 11 1/4		CAP.		ORDER # 68805	
CUSTOMER EBSCO MEDIA				DUE DATE	
QUANTITY		RADIUS	0	TEAR SEAL	.014
DATE	8-16-94	COMPLETED		BAR SEAL	178



MATERIAL SPECS

GA PCS

GA PC

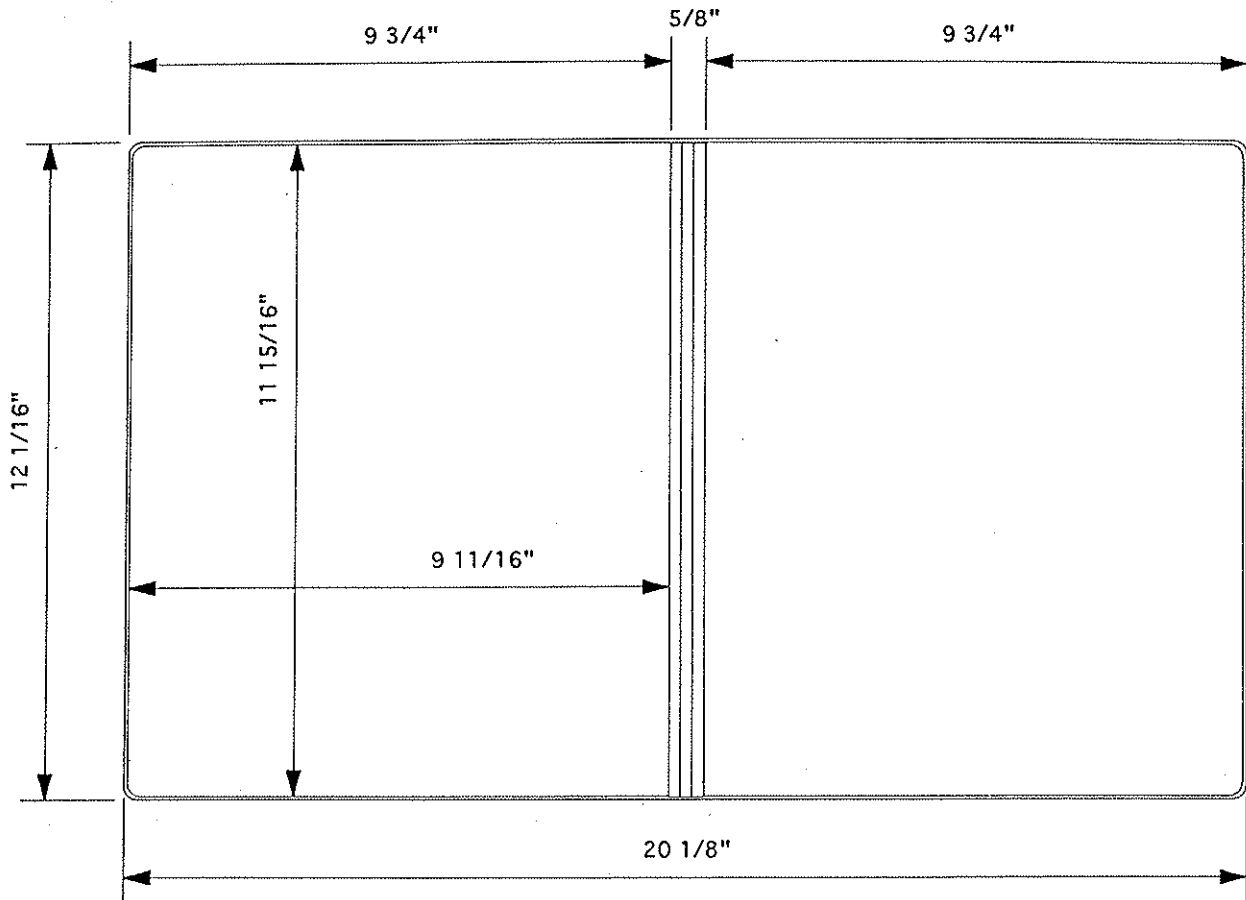
COVER MATL	25 5/8 X 15 5/8	1	LINING	25 5/8 X 15 5/8	1
COVER MATL			LINING		
VERT PKT			HORZ PKT		
VERT PKT			HORZPKT		
CARD HOLDER			DIAGONAL PKT		
COL			LABEL HOLDER		
EX COL			GUSSETT		
			REINF		

BOARD SPECS

F.C. BOARD	14 11/16 X 11 15/16	1	F.C. BOARD		
B.B. BOARD			B.B. BOARD		
B.C. BOARD	14 11/16 X 11 15/16	1	B.C. BOARD		
BU STRIP					

Replaces Die # 2835

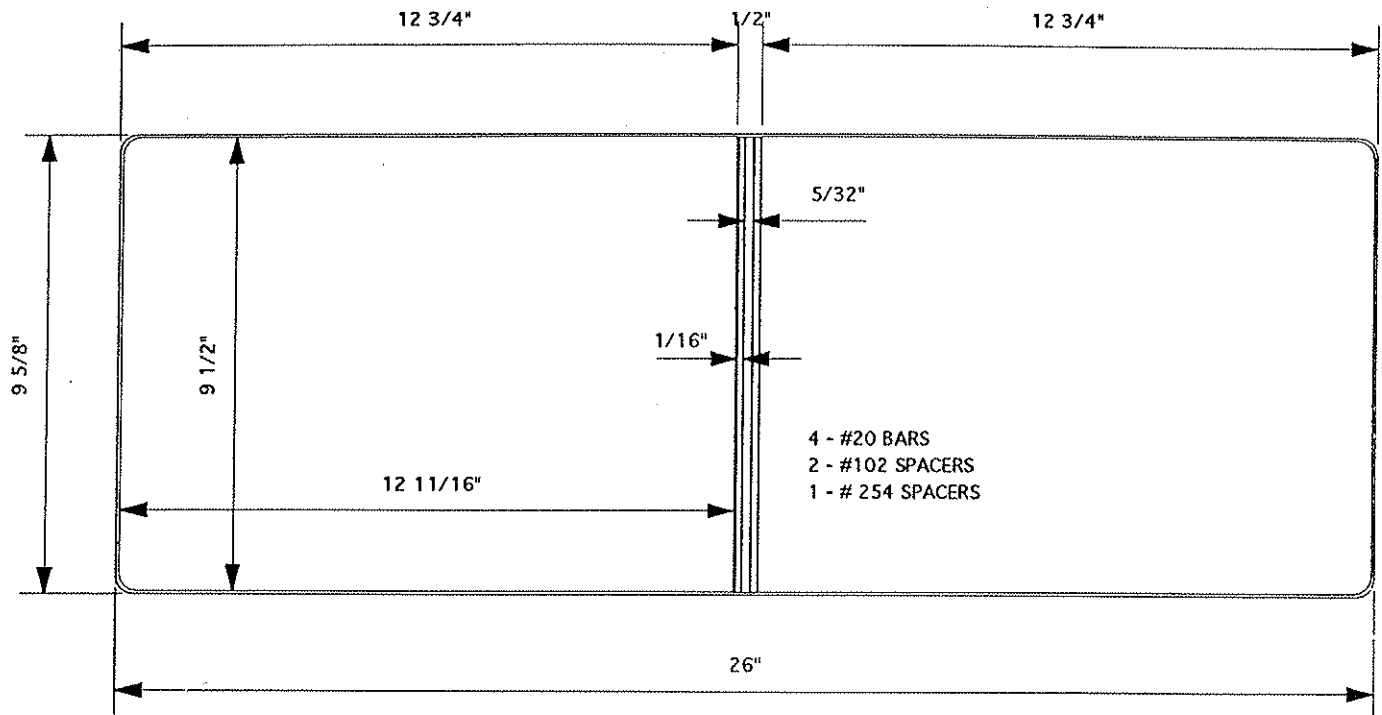
DIE #	5716	CAP.	METAL
STYLE CASE	VINYL PADHOLDER		LOCATION E-17-4
SHEET SIZE	11 1/4 X 8 15/16		ORDER #
CUSTOMER			DUE DATE
QUANTITY		RADIUS	1/4
DATE	11-16-94	COMPLETED	
		TEAR SEAL	.014
		BAR SEAL	178



MATERIAL SPECS		GA	PCS			GA	PCS
COVER MAT.	12 11/16 X 20 7/8		1	LINING MAT	12 11/16 X 20 7/8		1
COVER MAT.	13 1/16 x 21 1/8		1	LINING MAT	13 1/16 x 21 1/8		1
VERT PKT	(padded)				(padded)		
CARD HOLDER				HORZ PKT	5 5/16 X 20 7/8		1
COL				DIAGONAL PKT			
LABEL HOLDER				REINF			

BOARD SPECS		GA	PCS			GA	PCS
F.C. BOARD	11 27/32 x 9 19/32	120	1	F.C. BOARD	11 7/8 X 9 5/8	100	1
B.B. BOARD				B.B. BOARD			
B.C. BOARD	11 27/32 x 9 19/32	120	1	B.C. BOARD	11 7/8 x 9 5/8	100	1
B.U. STRIP							

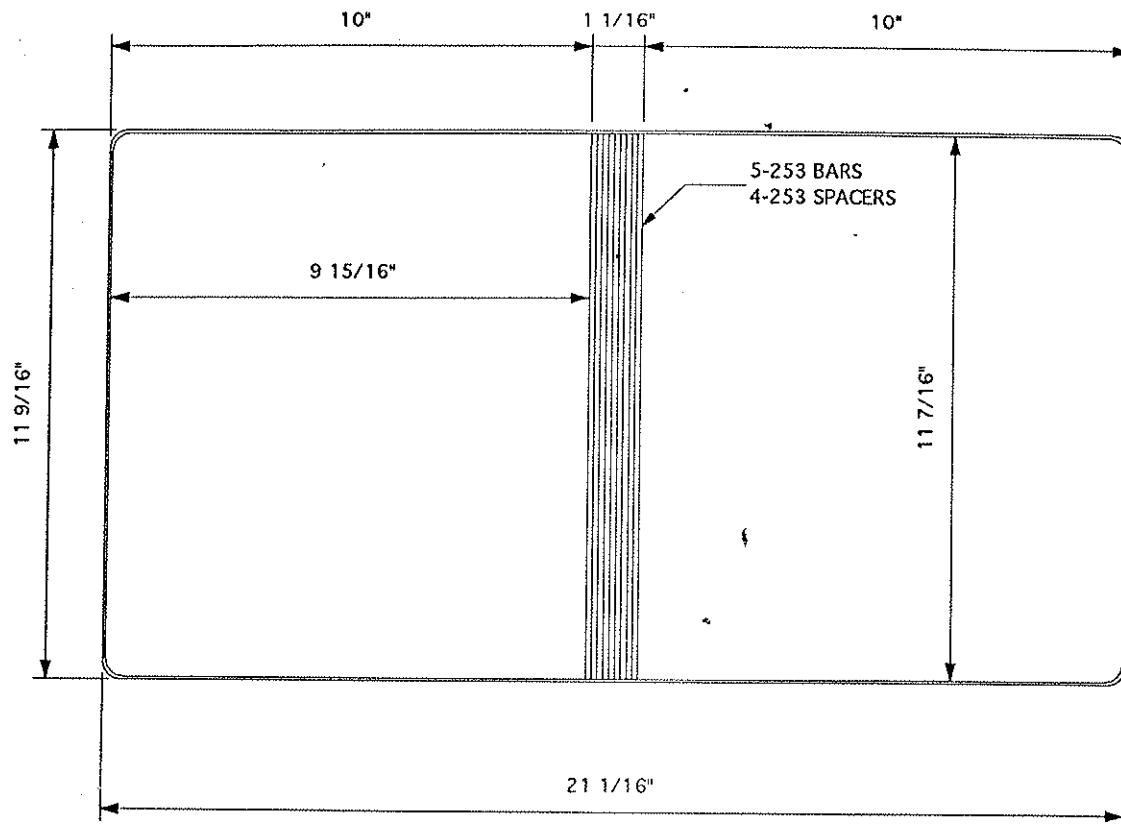
DIE #	5805-A	METAL	RADIUS	3/8	
ORDER #	70350	CUSTOMER	EBSCO - DAS	TEAR SEAL	.014
SHEET SIZE	12 1/2 X 9	STYLE CASE	VINYL PAD HOLDER	BAR SEAL	
CAP.		DUE DATE	4-5-95	COMPLETED	
LOCATION		QUANTITY	150	DATE	3-20-95



MATERIAL SPECS		GAUGE PCS.		MATERIAL SPECS		GAUGE PCS.	
COVER MAT.	10 3/8 X 26 3/4		1	LINING MAT.	10 3/8 X 26 3/4		
COVER MAT.				LINING MAT.			
CARD HOLDER				HORZ. PKT.			
COL				VERT. PKT.	10 3/8 X 12 3/4		
LABEL HOLDER				DIE CUT PKT	11 3/8 X 13 3/4		
GUSSET				REINF.	DIE 5805-B		

BOARD SPECS		GAUGE PCS.		BOARD SPECS		GAUGE PCS.	
F.C. BOARD	9 7/16 X 12 5/8	48	1	F.C. BOARD			
B.B. BOARD				B.B. BOARD			
B.C. BOARD	9 7/16 X 12 5/8	48	1	B.C. BOARD			
B.U. STRIP				DIE CUT			
DIE CUT				DIE CUT			

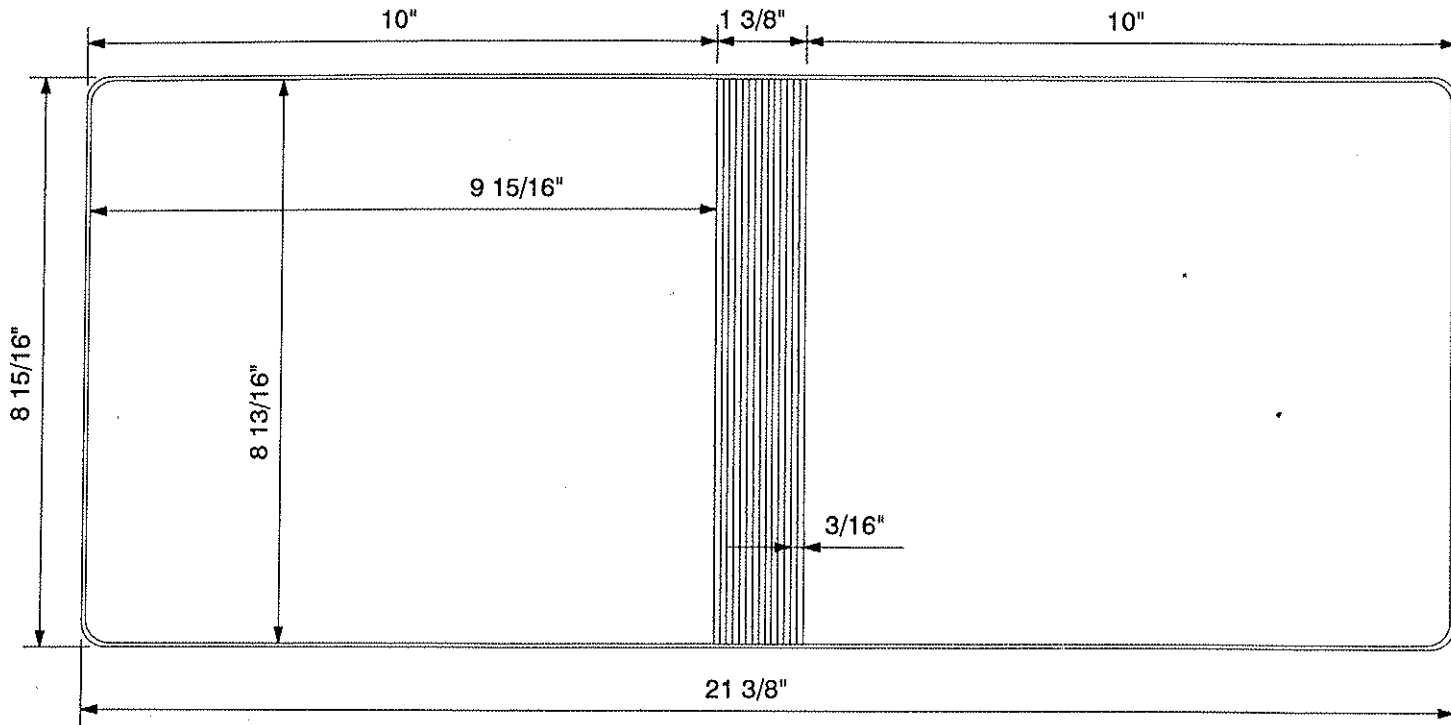
DIE #	5911	METAL		RADIUS	3/8"
ORDER #	982547	CUSTOMER	DEBBIE SPAULDING	TEAR SEAL	.014
SHEET SIZE	11 X 8 1/2	STYLE CASE	VINYL PAHHOLDER	BAR SEAL	253
CAP.	1"	DUE DATE	9-25-95	COMPLETED	
LOCATION	F-14-6	QUANTITY	5	DATE	9-18-95



MATERIAL SPECS		GAUGE PCS.		MATERIAL SPECS		GAUGE P	
COVER MAT.	12 5/16 X 21 13/16		1	LINING MAT.	12 5/16 X 21 13/16		
COVER MAT.				LINING MAT.			
DIE CUT				HORZ. PKT.			
COL				VERT. PKT.			
LABEL HOLDER				Diag Pkt.	11 1/2 X 10 1/4		1/2
GUSSET				REINF.			

BOARD SPECS		GAUGE PCS.		BOARD SPECS		GAUGE P	
F.C. BOARD	11 3/8 X 9 7/8	120	1	F.C. BOARD			
B.B. BOARD				B.B. BOARD			
B.C. BOARD	11 3/8 X 9 7/8	120	1	B.C. BOARD			
B.U. STRIP				DIE CUT			
DIE CUT				DIE CUT			

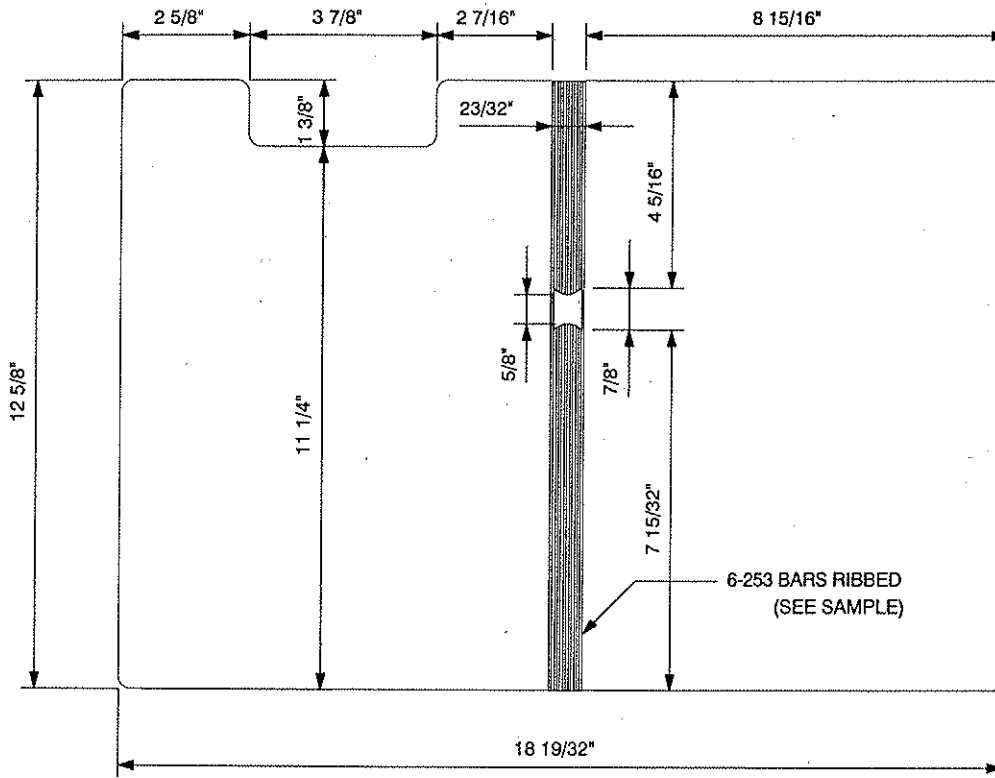
DIE #	6356	METAL		RADIUS	3/8"
ORDER #	988375	CUSTOMER	SELIG CHEMICAL	TEAR SEAL	.010
SHEET SIZE	0A-10 X 8 15/16	STYLE CASE	VINYL PAD HOLDER	BAR SEAL	178
CAP.		DUE DATE	10-31-97	COMPLETED	
LOCATION	1-2-8	QUANTITY	200	DATE	10-20-97



MATERIAL SPECS		GAUGE		MATERIAL SPECS		GAUGE	
COVER MAT.	9 3/4 X 22 1/8		1	LINING MAT.	9 3/4 X 22 1/8		1
COVER MAT.				LINING MAT.			
DIE CUT				VERT. PKT.	9 3/4 X 9 3/8		1
COL				VERT. PKT.	9 3/4 X 6 3/4		1
LABEL HOLDER				DIE CUT			
GUSSET				REINF.			

BOARD SPECS		GAUGE		BOARD SPECS		GAUGE	
F.C. BOARD	8 3/4 X 9 7/8	100	1	F.C. BOARD			
B.B. BOARD				B.B. BOARD			
B.C. BOARD	8 3/4 X 9 7/8	100	1	B.C. BOARD			
FLAP BD.				DIE CUT			
BOARD				DIE CUT			

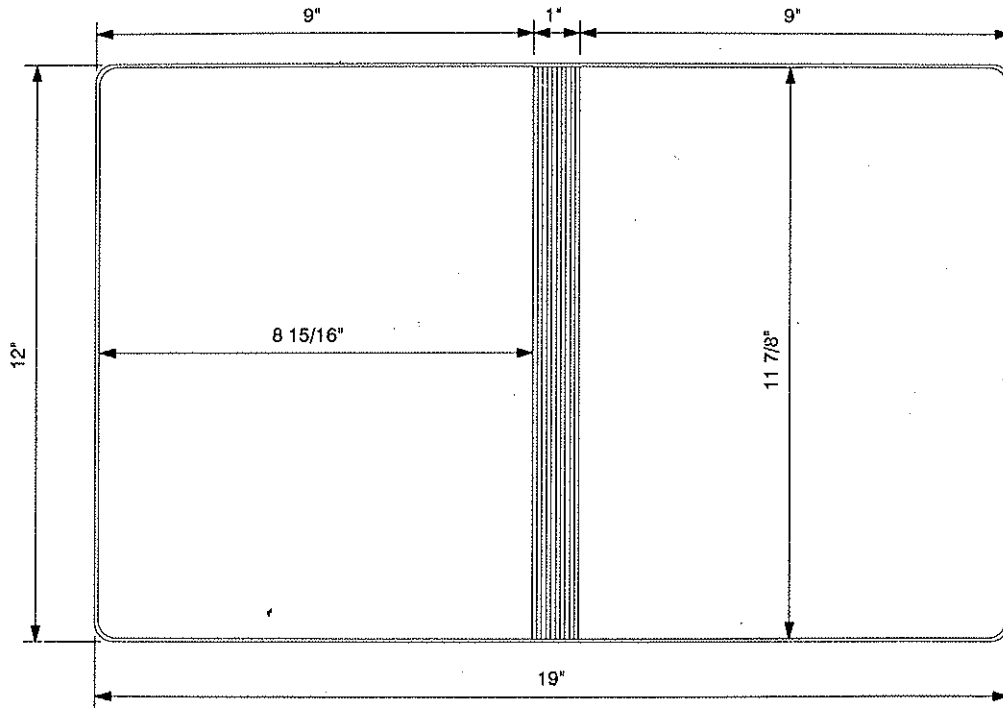
DIE #	6416	METAL	CLIP	RADIUS	*3/8"
ORDER #	989001	CUSTOMER	EINSON-FREEMAN	TEAR SEAL	NAT EDGE
SHEET SIZE		STYLE CASE	VINYL PAD HOLDER	BAR SEAL	253
CAP.		DUE DATE	2-6-98	COMPLETED	
LOCATION	G-11-9	QUANTITY	140	DATE	1-19-98



MATERIAL SPECS		GAUGE		MATERIAL SPECS		GAUGE	
COVER MAT.	13 3/8 X 19 3/8		1	LINING MAT.			
COVER MAT.				LINING MAT.			
DIE CUT				HORZ. PKT.	5 3/8 X 9 1/2		1
COL				HORZ. PKT.	2 3/8 X 9 1/2		1
LABEL HOLDER				DIE CUT			
GUSSET				REINF.			

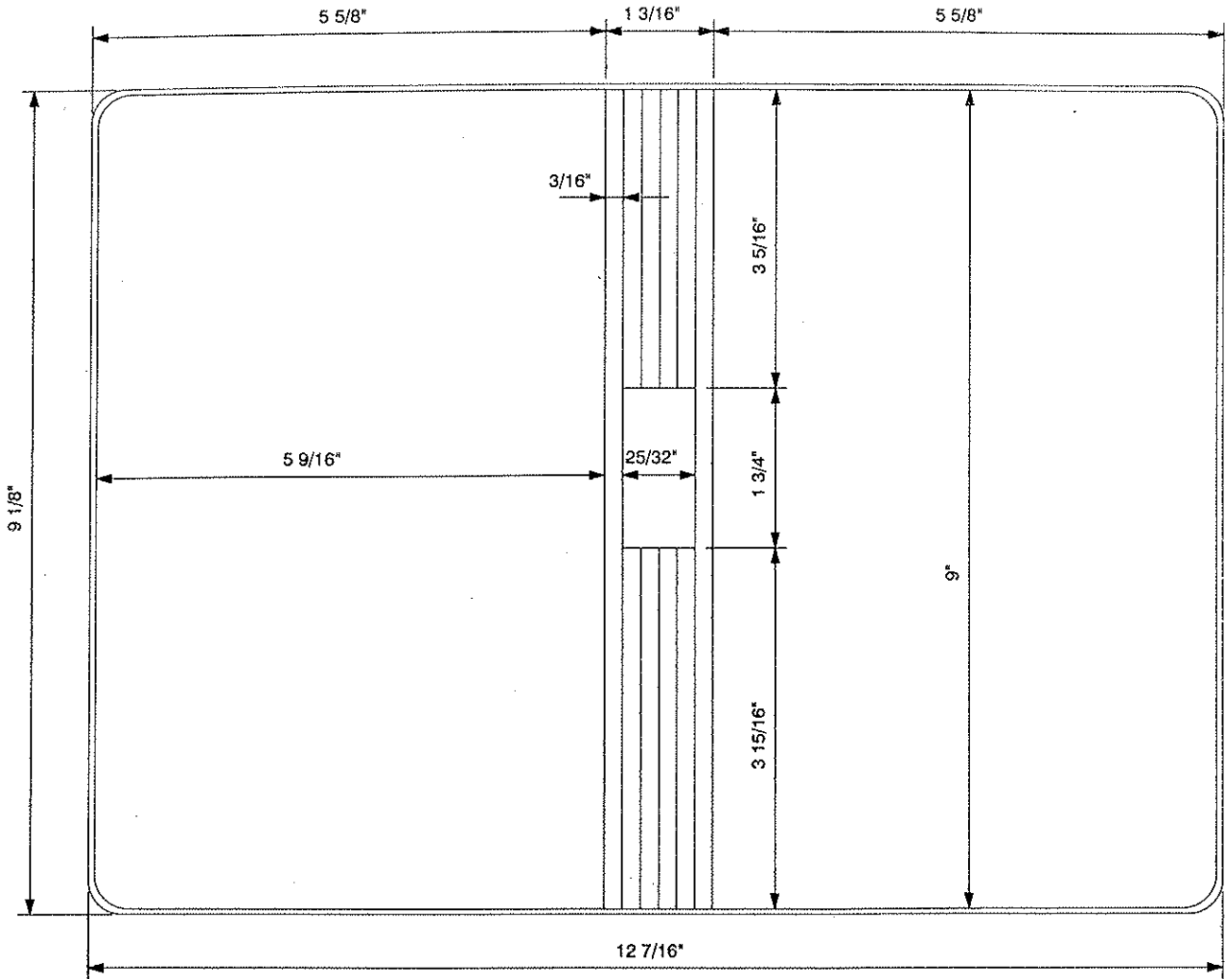
BOARD SPECS		GAUGE		BOARD SPECS		GAUGE	
F.C. BOARD				F.C. BOARD			
B.B. BOARD				B.B. BOARD			
B.C. BOARD				B.C. BOARD			
FLAP BD.				DIE CUT			
BOARD				DIE CUT			

DIE #	6437	METAL		RADIUS	3/8"
ORDER #	989150	CUSTOMER	FEATHERLINE PRINTING	TEAR SEAL	.010
SHEET SIZE	0A 12 X 9	STYLE CASE	VINYL PADHOLDER	BAR SEAL	178 RIB.
CAP.	1"	DUE DATE	2-23-98	COMPLETED	
LOCATION	G-10-2	QUANTITY	1000	DATE	2-18-98



MATERIAL SPECS		GAUGE		MATERIAL SPECS		GAUGE	
COVER MAT.	13 X 20		1	LINING MAT.	12 3/4 X 19 3/4		1
COVER MAT.				LINING MAT.			
DIE CUT				HORZ. PKT.			
COL				VERT. PKT.	12 3/4 X 8 7/8		1
LABEL HOLDER				DIE CUT			
GUSSET				REINF.			
BOARD SPECS		GAUGE		BOARD SPECS		GAUGE	
F.C. BOARD				F.C. BOARD			
B.B. BOARD				B.B. BOARD			
B.C. BOARD				B.C. BOARD			
FLAP BD.				DIE CUT			
BOARD				DIE CUT			

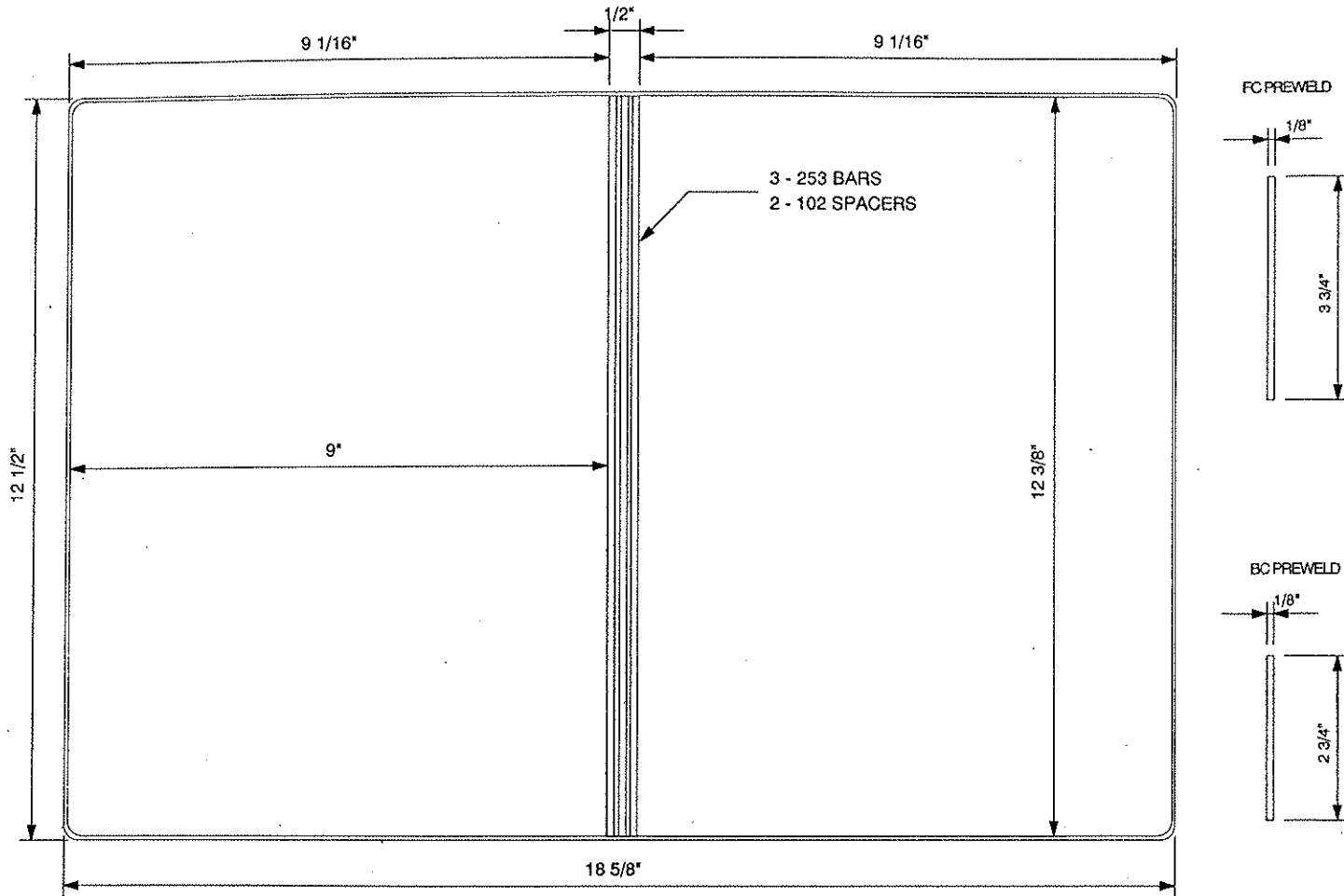
DIE #	6541-A	METAL		RADIUS	3/8"
ORDER #	146501	CUSTOMER	F L E T C	TEAR SEAL	.012
SHEET SIZE	9 X 5	STYLE CASE	VINYL BINDER <i>Packholder</i>	BAR SEAL	178
CAP.	1 1/4"	DUE DATE	7-27-98	COMPLETED	
LOCATION		QUANTITY	3000	DATE	7-17-98



MATERIAL SPECS		GAUGE	PCS.	MATERIAL SPECS	GAUGE
COVER MAT.	9 7/8 X 13 1/4		1	LINING MAT.	
COVER MAT.				LINING MAT.	
DIE CUT				HORZ. PKT.	
COL				VERT. PKT.	
LABEL HOLDER				DIE CUT	
GUSSET				REINF.	

BOARD SPECS		GAUGE	PCS.	BOARD SPECS	GAUGE
	5/16" R. CORNERS			5/16" R. CORNERS	
F.C. BOARD	8 15/16 X 5 1/2	100	1	F.C. BOARD	
B.B. BOARD				B.B. BOARD	
B.C. BOARD	8 15/16 X 5 1/2	100	1	B.C. BOARD	
FLAP BD.				DIE CUT	
BOARD				DIE CUT	

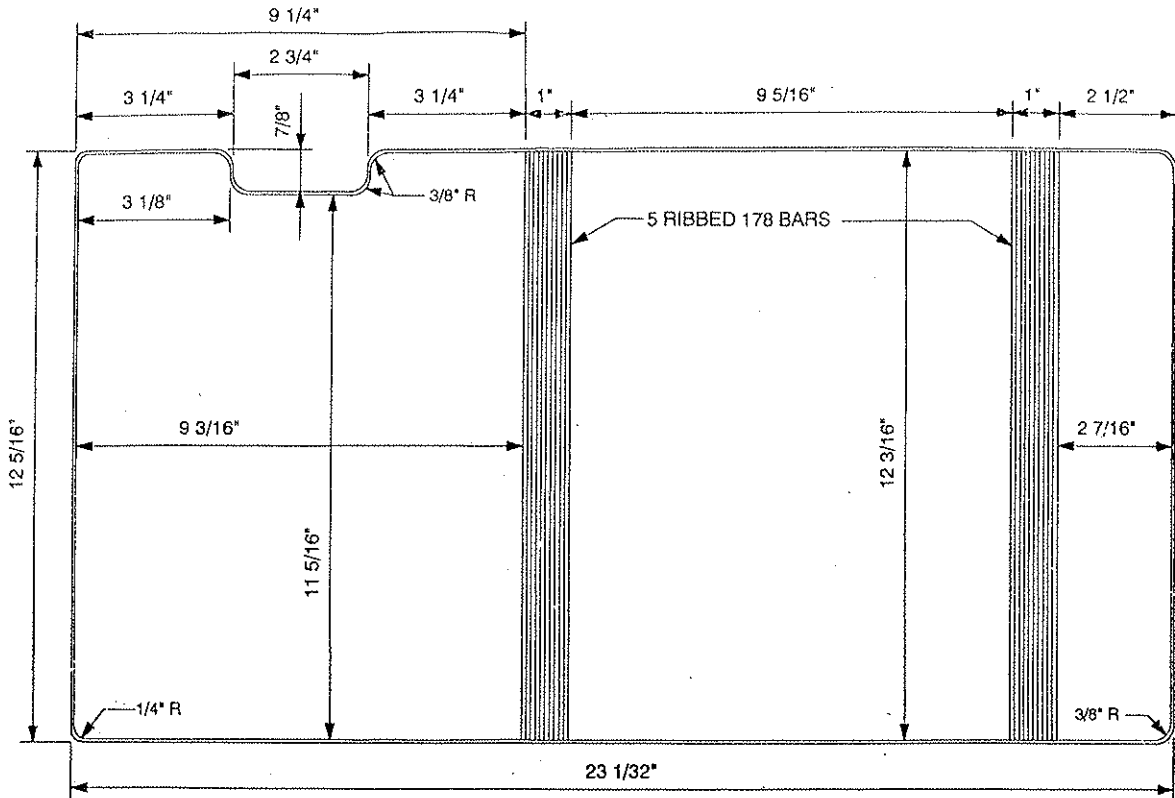
DIE #	6545	METAL		RADIUS	1/4"
ORDER #	147441	CUSTOMER	SEA ISLAND	TEAR SEAL	.014
SHEET SIZE	12.5 X 9 1/16	STYLE CASE	VINYL PAD HOLDER	BAR SEAL	253-102
CAP.		DUE DATE	7-22-98	COMPLETED	
LOCATION		QUANTITY	3	DATE	7-28-98



MATERIAL SPECS		GAUGE	PCS.	MATERIAL SPECS		GAUGE	PCS.
COVER MAT.	13 1/4 X 19 3/8		1	LINING MAT.	13 1/4 X 19 3/8		1
COVER MAT.				HORZ. PKT.	6 3/8 X 9 9/16	FC	1
DIE CUT				HORZ. PKT.	3 7/8 X 9 9/16	FC	1
COL				HORZ. PKT.	2 3/8 X 9 9/16	FC	1
LABEL HOLDER				HORZ. PKT.	5 5/8 X 9 9/16	BC	1
GUSSET				HORZ. PKT.	2 7/8 X 9 9/16	BC	1

BOARD SPECS		5/16" R. CORNERS		GAUGE	PCS.	BOARD SPECS		5/16" R. CORNERS		GAUGE	PCS.
F.C. BOARD	12 5/16 X 8 15/16	100	1	F.C. BOARD							
B.B. BOARD				B.B. BOARD							
B.C. BOARD	12 5/16 X 8 15/16	100	1	B.C. BOARD							
FLAP BD.				DIE CUT							
BOARD				DIE CUT							

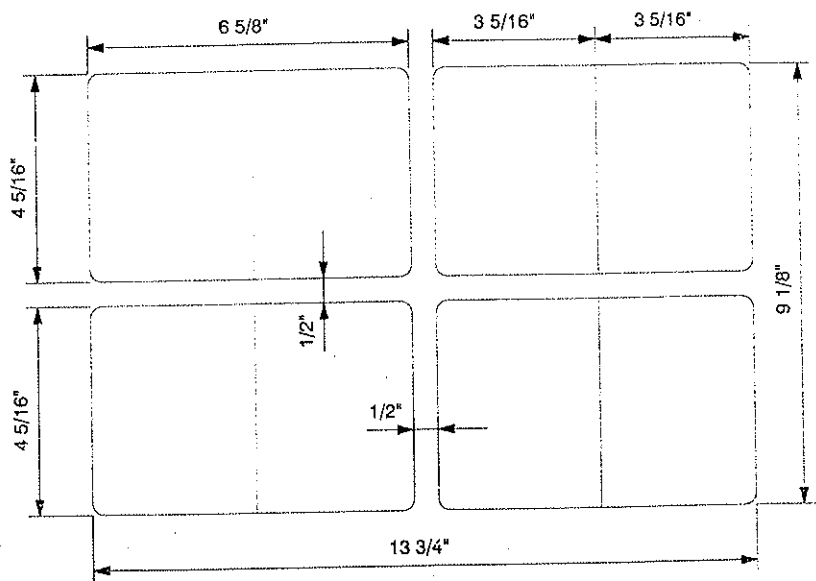
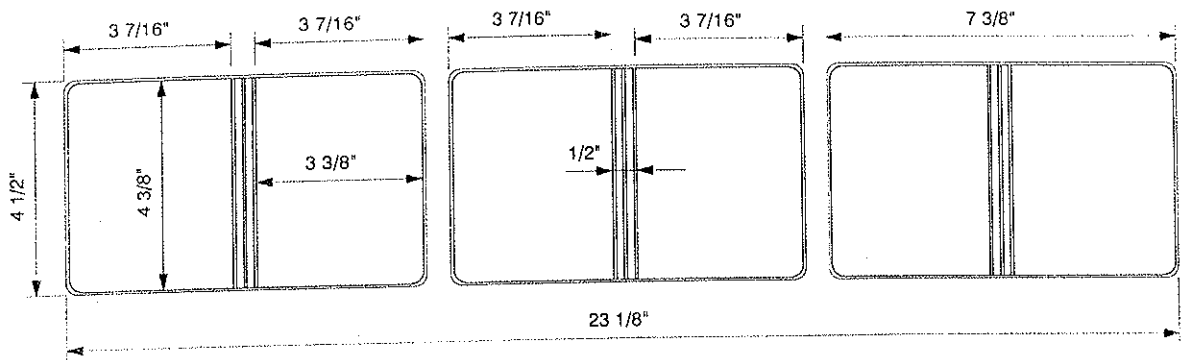
DIE #	6576-A	METAL	CLIP	RADIUS	1/4"-3/8"
ORDER #	169735	CUSTOMER	B J SERVICES	TEAR SEAL	.012
SHEET SIZE	11 X 8.5	STYLE CASE	VINYL PERMIT HOLDER	BAR SEAL	178
CAP.	1"	DUE DATE	10-23-98	COMPLETED	
LOCATION	A-18-7	QUANTITY	100	DATE	10-1-98



MATERIAL SPECS		GAUGE	PCS.	MATERIAL SPECS		GAUGE	PCS.
COVER MAT.	13 1/8 X 23 3/4	1		LINING MAT.	13 1/8 X 23 3/4		1
COVER MAT.				LINING MAT.			
DIE CUT				HORZ. PKT.	4 7/8 X 9 3/4		1
COL				VERT. PKT.			
LABEL HOLDER				DIE CUT			
GUSSET				REINF.			

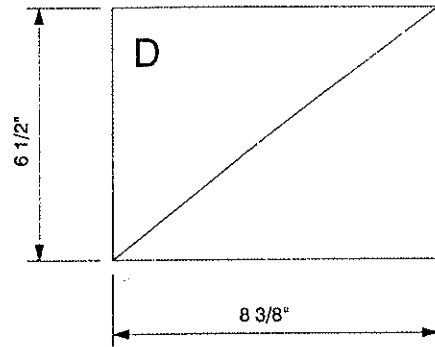
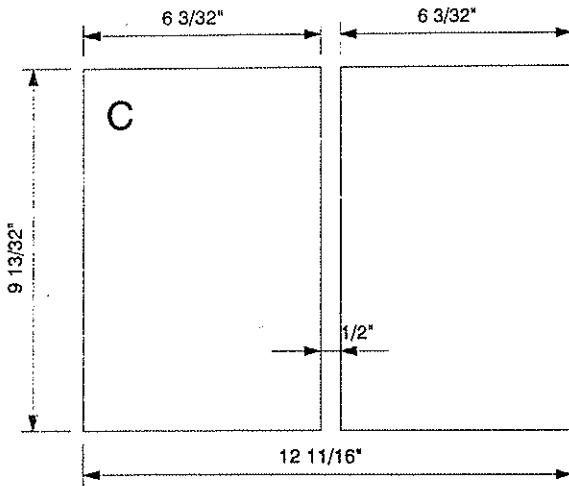
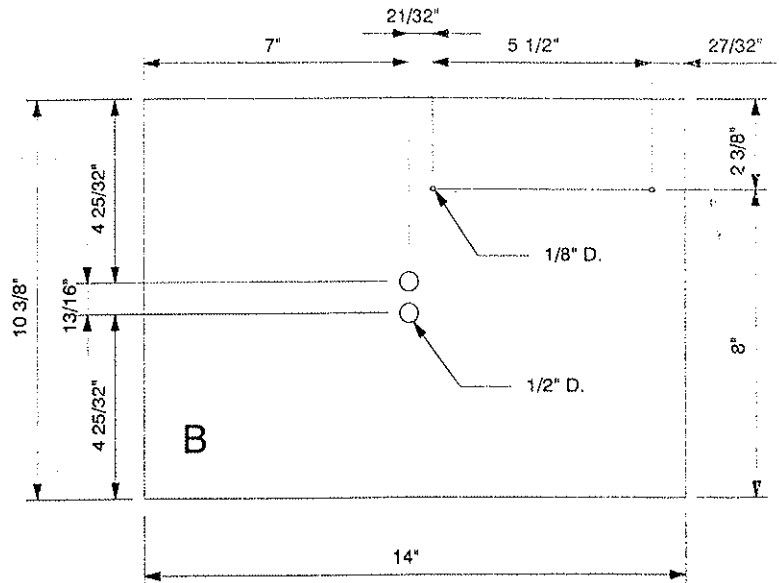
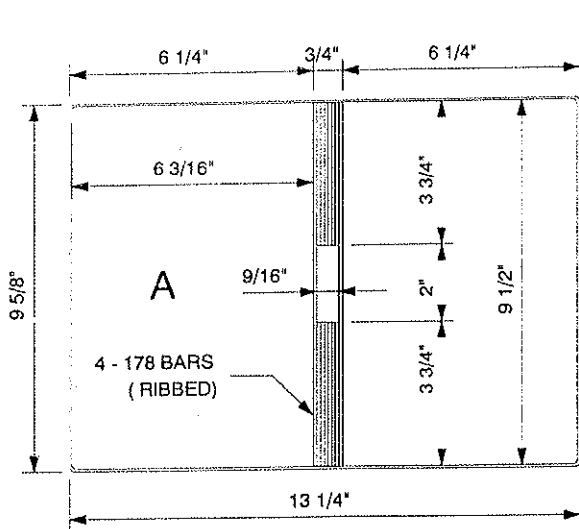
BOARD SPECS		GAUGE	PCS.	BOARD SPECS		GAUGE	PCS.
F.C. BOARD	5/16" R. CORNERS			F.C. BOARD	5/16" R. CORNERS		
B.B. BOARD				B.B. BOARD			
B.C. BOARD	12 1/8 X 9 1/4	120	1	B.C. BOARD			
FLAP BD.	12 1/8 X 2 11/32	120	1	DIE CUT			
BOARD				DIE CUT			

DIE #	6611-A-B	METAL	RADIUS	1/4"
ORDER #	189211	CUSTOMER	WRENFIELD GROUP	TEAR SEAL .012
SHEET SIZE	4 X 3	STYLE CASE	VINYL PADHOLDER	BAR SEAL
CAP.	1/4"	DUE DATE	1-8-98	COMPLETED
LOCATION		QUANTITY	100,000	DATE 12-17-98



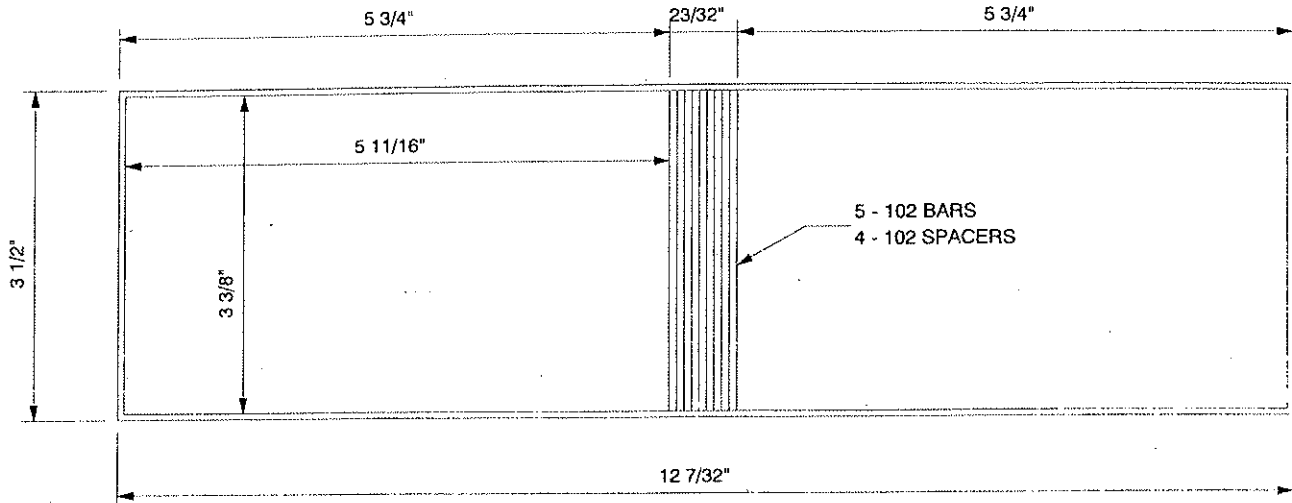
MATERIAL SPECS		GAUGE	PCS.	MATERIAL SPECS	GAUGE	PCS.
COVER MAT.	5 1/4 X 23 7/8	3UP	1	LINING MAT.	5 1/4 X 23 7/8	3UP 1
COVER MAT.				LINING MAT.		
DIE CUT				HORZ. PKT.	4 9/16 X 3 7/8	3
COL				VERT. PKT.		
LABEL HOLDER				DIE CUT		
GUSSET				REINF.		
BOARD SPECS		GAUGE	PCS.	BOARD SPECS	GAUGE	PCS.
F.C. BOARD	5/16" R. CORNERS			F.C. BOARD	5/16" R. CORNERS	
B.B. BOARD				B.B. BOARD		
B.C. BOARD				B.C. BOARD		
FLAP BD.				DIE CUT	10 1/8 X 14 3/4	3UP 35 1
BOARD				DIE CUT		

DIE #	6629-A-B-C-D	METAL	RADIUS
ORDER #	196621	CUSTOMER	STAR BUILDING SYSTEMS
SHEET SIZE	9.5 X 6.25	STYLE CASE	VINYL PAD HOLDER
CAP.		DUE DATE	2-2-99
LOCATION	I-9-6	QUANTITY	250
			TEAR SEAL .012
			BAR SEAL 178
			COMPLETED
			DATE 1-19-99



MATERIAL SPECS		GAUGE	PCS.	MATERIAL SPECS		GAUGE	PCS.
COVER MAT.	10 5/8 X 14 1/4		1	LINING MAT.	11 3/8 X 15		1
COVER MAT.				LINING MAT.			
DIE CUT				HORZ. PKT.			
COL.				VERT. PKT.			
LABEL HOLDER				DIE CUT	7 1/2 X 9 3/8	2OUT	1
GUSSET				REINF.			
BOARD SPECS		GAUGE	PCS.	BOARD SPECS		GAUGE	PCS.
F.C. BOARD	10 3/8 X 13 3/4	5/16" R. CORNERS	100	F.C. BOARD			
B.B. BOARD				B.B. BOARD			
B.C. BOARD	9 13/32 X 6 3/32		100	B.C. BOARD			
FLAP BD.				DIE CUT			
BOARD				DIE CUT			

DIE #	7021	METAL		RADIUS	
ORDER #	389280	CUSTOMER	PREMIER BUSSINESS	TEAR SEAL	.012
SHEET SIZE	3.5X 12 7/32	STYLE CASE	VINYL PAD HOLDER	BAR SEAL	102
CAP.		DUE DATE	12-6-00	COMPLETED	
LOCATION		QUANTITY	500	DATE	11-20-00



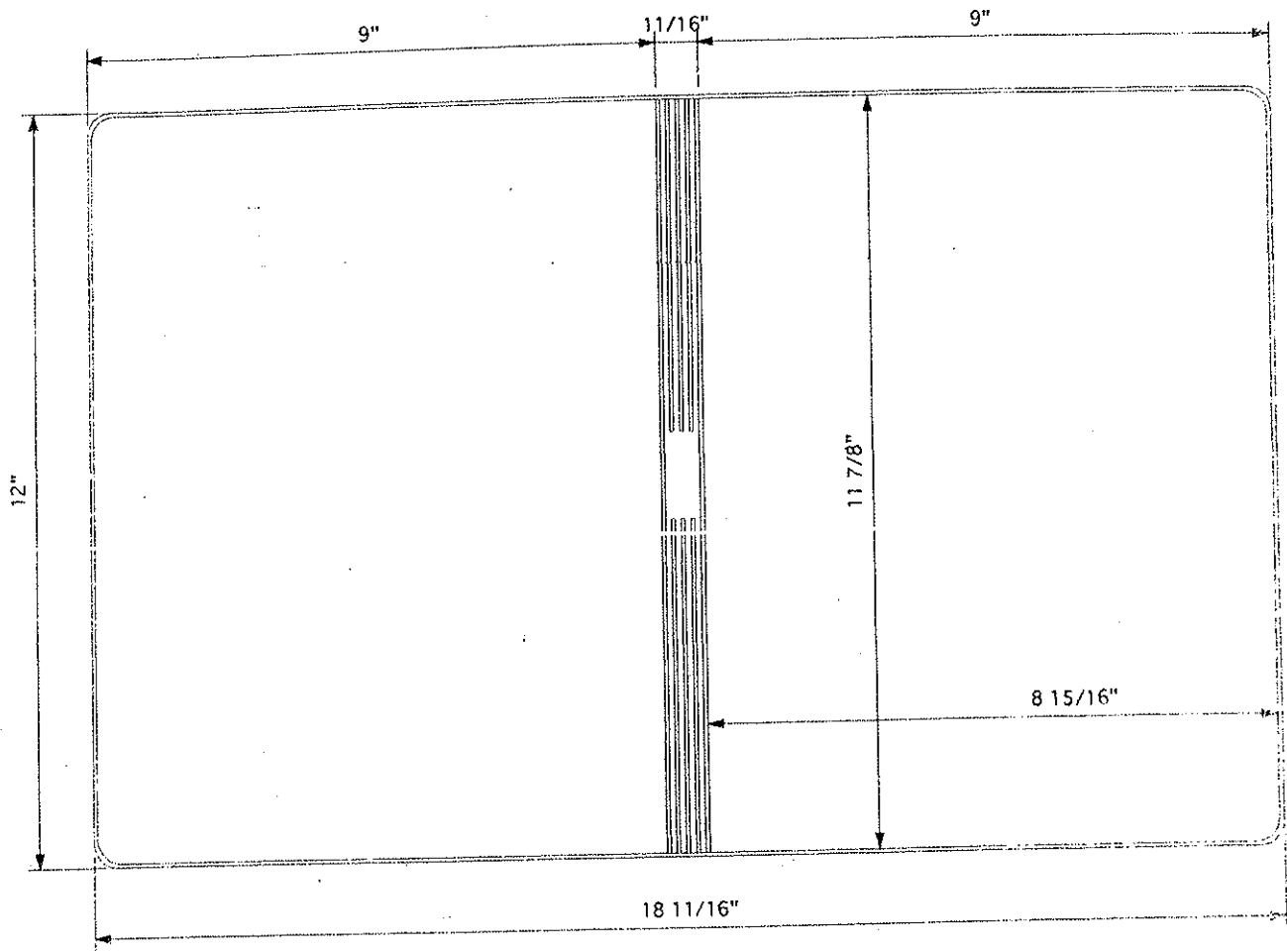
MATERIAL SPECS		GAUGE	PCS.	MATERIAL SPECS		GAUGE	PCS.
COVER MAT.	4 1/4 X 13		1	LINING MAT.	4 1/4 X 13		1
COVER MAT.				LINING MAT.			
DIE CUT				HORZ. PKT.	4 1/4 X 5 1/8		1
COL				VERT. PKT.			
LABEL HOLDER				DIE CUT			
GUSSET				REINF.			

BOARD SPECS		GAUGE	PCS.	BOARD SPECS		GAUGE	PCS.
F.C. BOARD	5/16" R. CORNERS			F.C. BOARD	5/16" R. CORNERS		
B.B. BOARD				B.B. BOARD			
B.C. BOARD				B.C. BOARD			
FLAP BD.				DIE CUT			
BOARD				DIE CUT			

DIE # 7482-R
 ORDER # 565247
 SHEET SIZE 11 X 9
 CAP.
 LOCATION

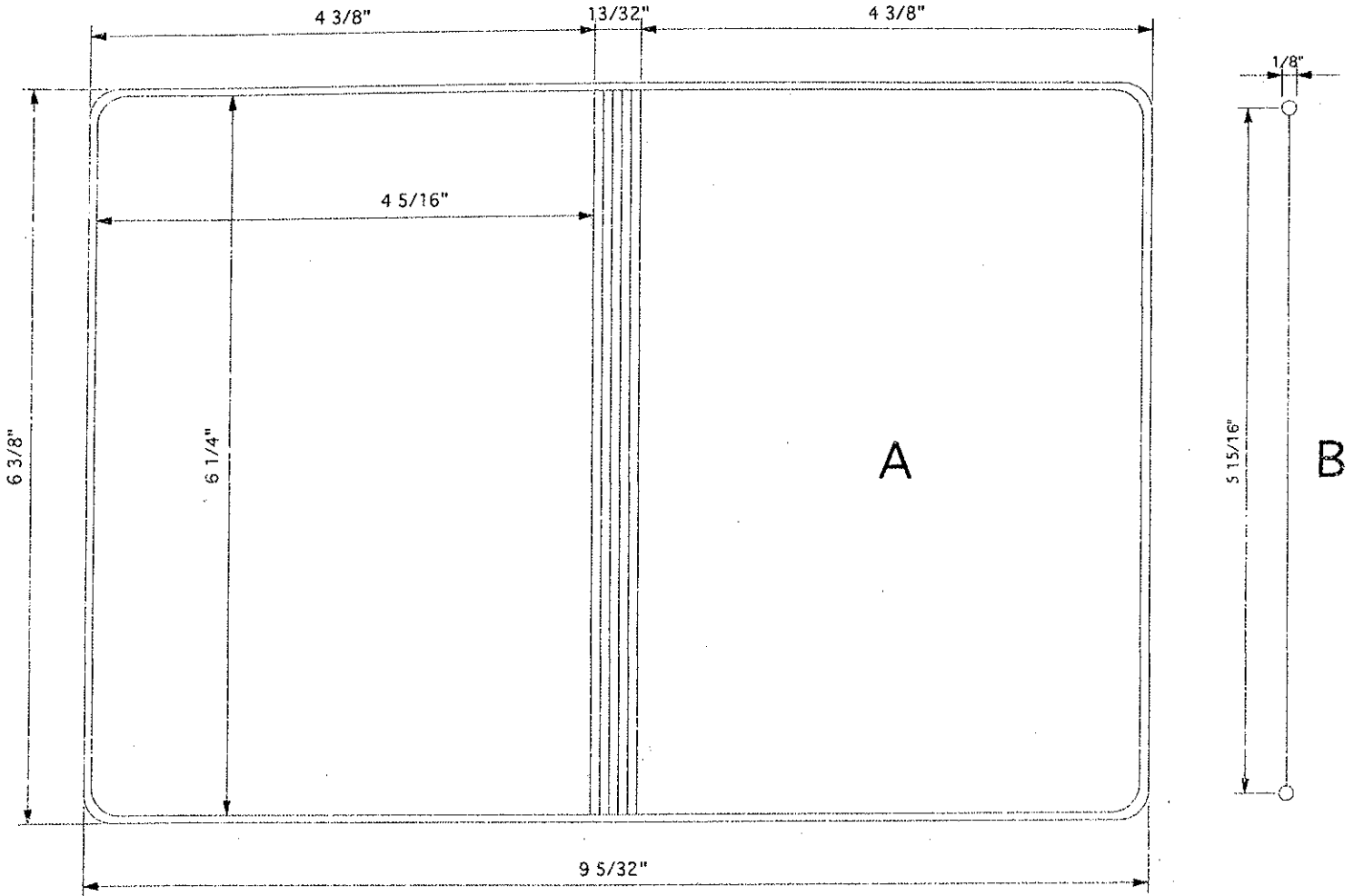
METAL
 CUSTOMER CHEMSEARCH
 STYLE CASE VINYL PADHOLDER
 DUE DATE 7-15-03
 QUANTITY 150

RADIUS 3/8"
 TEAR SEAL
 BAR SEAL
 COMPLETED
 DATE 7-7-03



MATERIAL SPECS	GAUGE	PCS	MATERIAL SPECS	GAUGE	PCS		
COVER MAT.	12 3/4 X 19 1/2	1	LINING MAT.	13 3/4 X 20 1/2	1		
COVER MAT.			LINING MAT.	481-A DIECUT LINER (PAD SLIT & PEN LOOP)			
DIE CUT			HORZ. PKT.				
COL			PEN LOOP				
LABEL HOLDER			DIE CUT				
GUSSET			REINF.				
BOARD SPECS	EQ. & CORNERS	GAUGE	PCS	BOARD SPECS	EQ. & CORNERS	GAUGE	PCS
F.C. BOARD	11 3/4 X 8 13/16	100	1	F.C. BOARD			
B.B. BOARD				B.B. BOARD			
B.C. BOARD	11 3/4 X 8 13/16	100	1	B.C. BOARD			
FLAP BD				DIE CUT			
BOARD				DIE CUT			

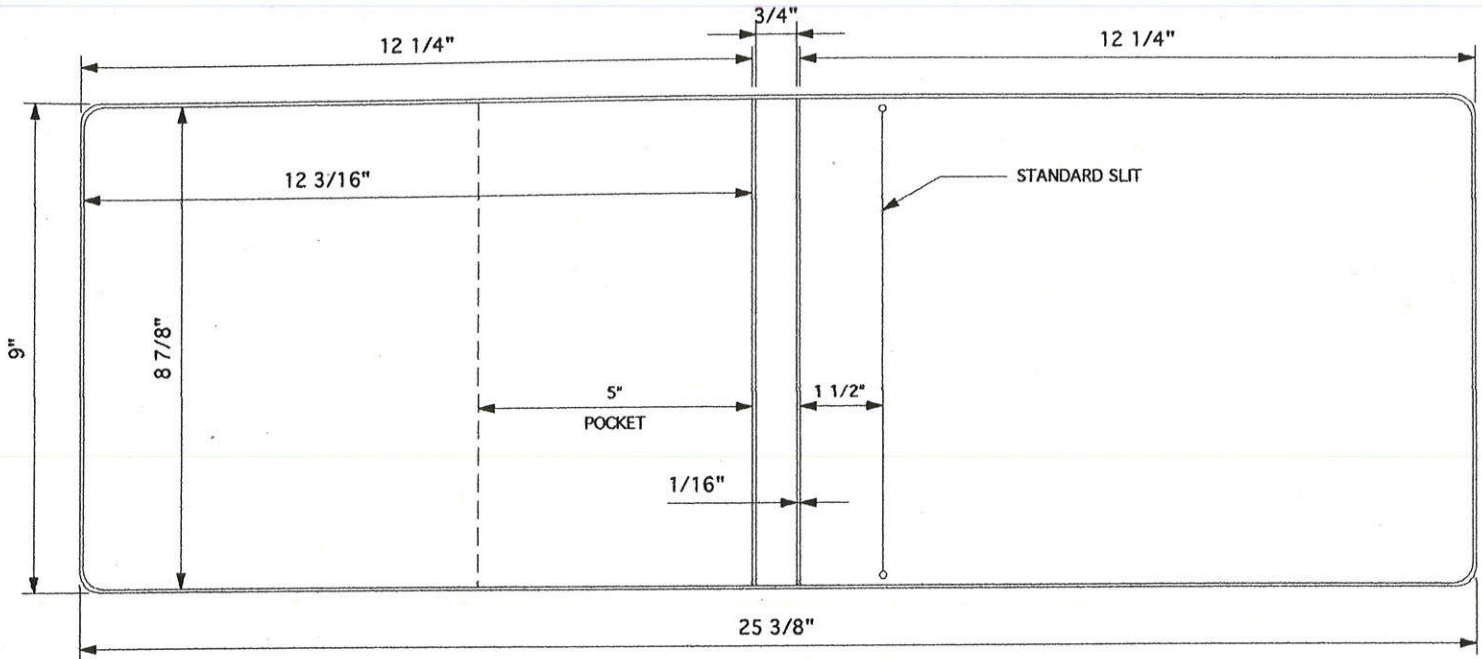
DIE #	7655-A-B	METAL		RADIUS	3/8"
ORDER #	608876	CUSTOMER	LANE PRINTING CO	TEAR SEAL	.012
SHEET SIZE	4 X 6	STYLE CASE	VINYL PADHOLDER	BAR SEAL	102
CAP.		DUE DATE	3-15-04	COMPLETED	
LOCATION		QUANTITY	1	DATE	3-15-04



MATERIAL SPECS		GAUGE	PCS.	MATERIAL SPECS		GAUGE	PCS.	
COVER MAT.	7 1/8 X 9 7/8		1	LINING MAT.	7 1/8 X 9 7/8		1	
COVER MAT.				LINING MAT.				
DIE CUT				HORZ. PKT.				
COL				VERT. PKT.				
LABEL HOLDER				DIE CUT				
GUSSET				REINF.				
BOARD SPECS		5/16" R. CORNERS	GAUGE	PCS.	BOARD SPECS	5/16" R. CORNERS	GAUGE	PCS.
F.C. BOARD	6 5/32 X 4 7/32	100	1	F.C. BOARD				
B.B. BOARD				B.B. BOARD				
B.C. BOARD	6 5/32 X 4 7/32	100	1	B.C. BOARD				
FLAP BD.				DIE CUT				
BOARD				DIE CUT				

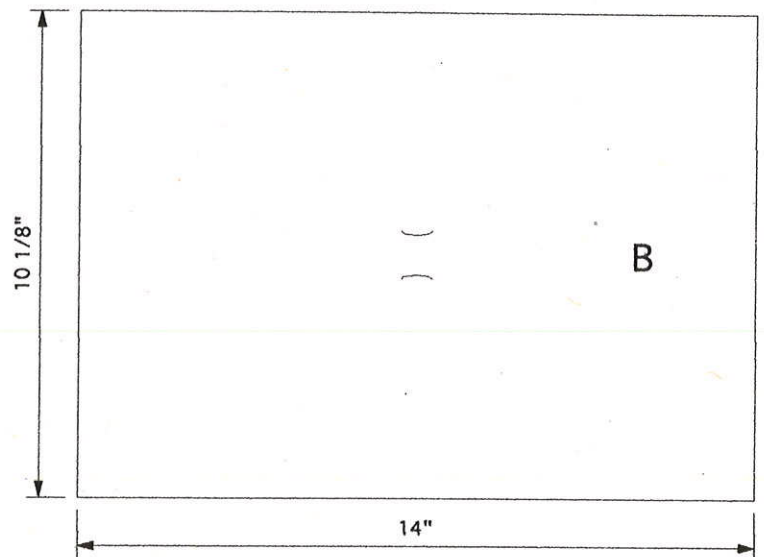
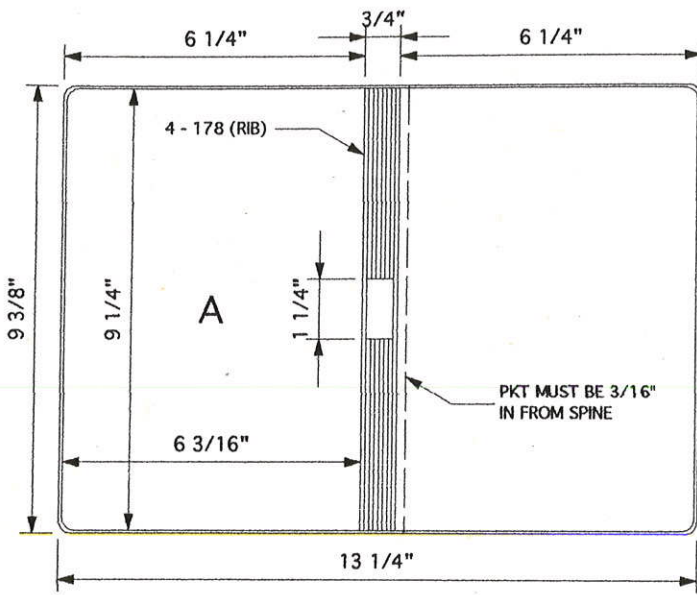
DIE #	7711	METAL		RADIUS	3/8"
ORDER #	627321	CUSTOMER	NCH LITERATURE DEPT	TEAR SEAL	.014
SHEET SIZE	8 1/2 X 12	STYLE CASE	VINYL PAD HOLDER	BAR SEAL	102
CAP.	1/2"	DUE DATE	6-21-04	COMPLETED	
LOCATION		QUANTITY	300	DATE	6-24-04

INSIDE VIEW



MATERIAL SPECS		GAUGE	PCS.	MATERIAL SPECS		GAUGE	PCS.
COVER MAT.	9 3/4 X 26 1/8		1	LINING MAT.	9 3/4 X 26 1/8		1
COVER MAT.				LINING MAT.			
DIE CUT				HORZ. PKT.	9 3/4 X 5 1/16		1
COL				VERT. PKT.			
LABEL HOLDER				DIE CUT			
GUSSET				REINF.			
BOARD SPECS		GAUGE	PCS.	BOARD SPECS		GAUGE	PCS.
F.C. BOARD	12 1/8 X 8 13/16	98	1	F.C. BOARD			
B.B. BOARD				B.B. BOARD			
B.C. BOARD	12 1/8 X 8 13/16	98	1	B.C. BOARD			
FLAP BD.				DIE CUT			
BOARD				DIE CUT			

DIE #	7794-A-B	METAL		RADIUS	1/4"
ORDER #	651639	CUSTOMER	ZIMMERLY & CO.	TEAR SEAL	.016
SHEET SIZE	9 X 5 7/8	STYLE CASE	VINYL PAD HOLDER	BAR SEAL	178 RIB
CAP.	3/8"	DUE DATE	12-17-04	COMPLETED	
LOCATION		QUANTITY	305	DATE	

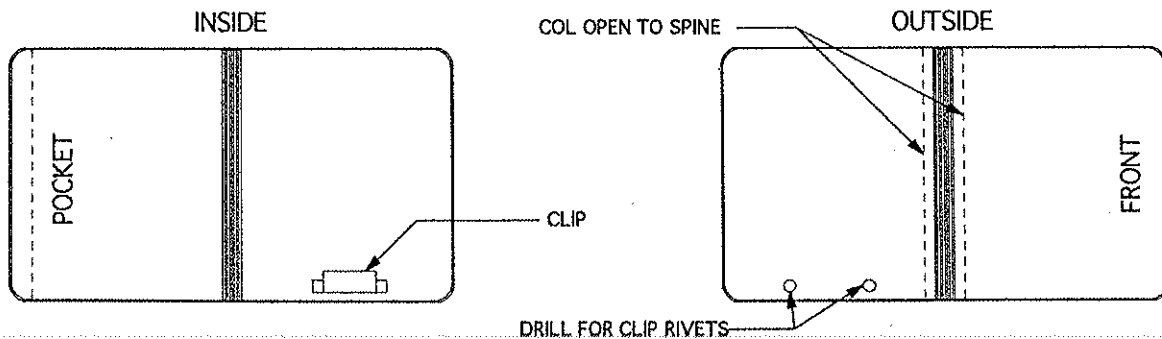
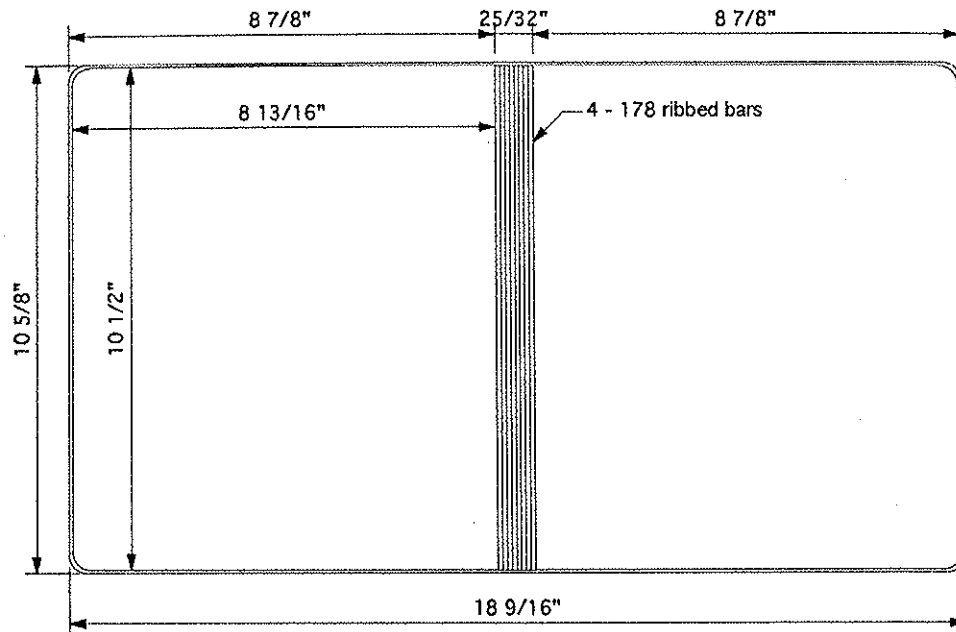


MATERIAL SPECS		GAUGE	PCS.	MATERIAL SPECS		GAUGE	PCS.
COVER MAT.	10 1/8 X 14		1	LINING MAT.	11 1/8 X 15	B	1
COVER MAT.				LINING MAT.			
DIE CUT				HORZ. PKT.			
COL				VERT. PKT.	11 1/8 X 6 7/16		1
LABEL HOLDER				DIE CUT			
GUSSET				REINF.			

BOARD SPECS		5/16" R. CORNERS		GAUGE	PCS.	BOARD SPECS		5/16" R. CORNERS		GAUGE	PCS.
F.C. BOARD	9 1/8 X 6 1/16	100	1	F.C. BOARD							
B.B. BOARD				B.B. BOARD							
B.C. BOARD	9 1/8 X 6 1/16	100	1	B.C. BOARD							
FLAP BD.				DIE CUT							
BOARD				DIE CUT							

DIE #	8161	METAL	CLIP	RADIUS	3/8"
ORDER #	739622	CUSTOMER	INNOVATIVE MARKETING	TEAR SEAL	.014
SHEET SIZE	9 3/4 X 8 1/2	STYLE CASE	VINYL PADHOLDER	BAR SEAL	178
CAP.		DUE DATE	6-28-06	COMPLETED	
LOCATION		QUANTITY	500	DATE	6-26-06

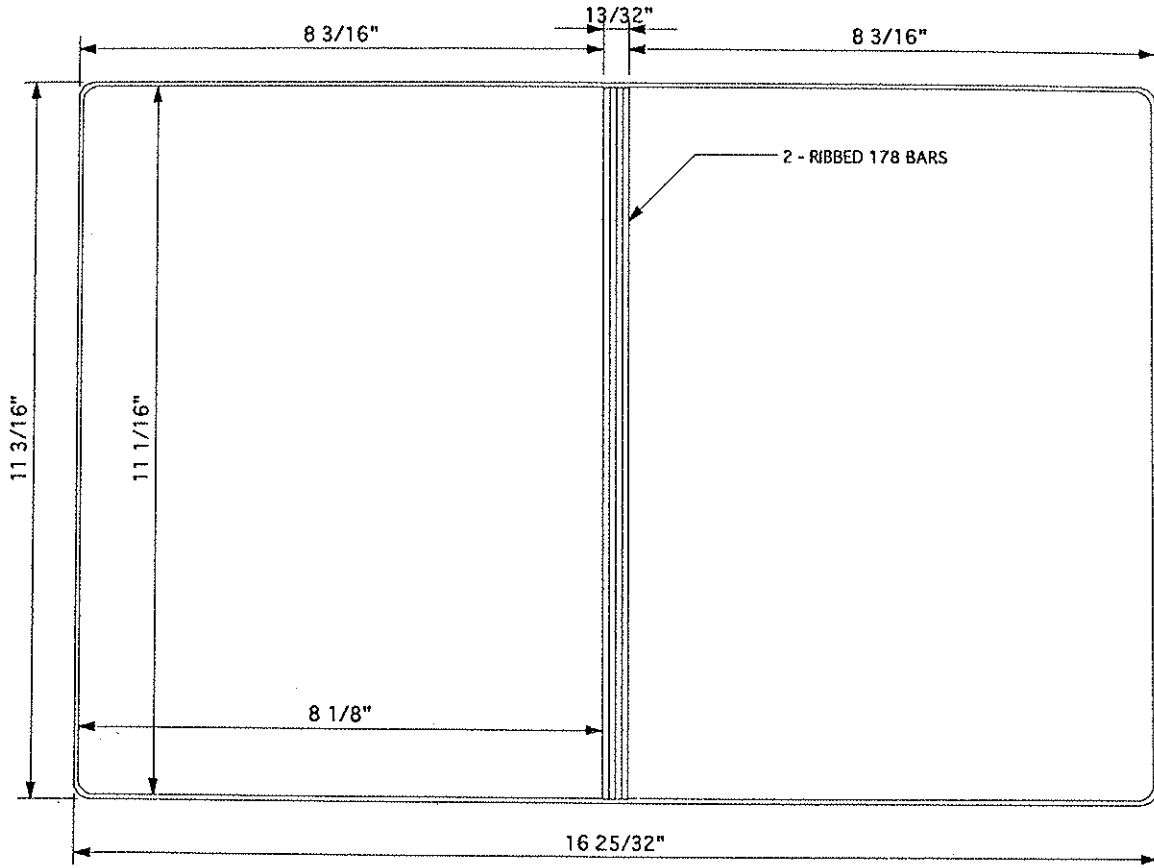
*** WARNING DRAWING NOT ACTUAL SIZE ***



MATERIAL SPECS		GAUGE	PCS.	MATERIAL SPECS		GAUGE	PCS.
COVER MAT.	11 3/8 x 19 5/16		1	LINING MAT.	11 3/8 x 19 5/16		1
COVER MAT.				LINING MAT.			
DIE CUT				HORZ. PKT.			
COL	11 3/8 x 9 1/16		2	VERT. PKT.	11 3/8 x 8 3/4		1
LABEL HOLDER				DIE CUT			
GUSSET				REINF.			
BOARD SPECS		GAUGE	PCS.	BOARD SPECS		GAUGE	PCS.
5/16" R. CORNERS				5/16" R. CORNERS			
F.C. BOARD	10 7/16 x 8 3/4		2	F.C. BOARD			
B.B. BOARD				B.B. BOARD			
B.C. BOARD				B.C. BOARD			
FLAP BD.				DIE CUT			
BOARD				DIE CUT			

DIE #	8251	METAL		RADIUS	1/4"
ORDER #	761416	CUSTOMER	GREENBRIER RESORTS	TEAR SEAL	.012
SHEET SIZE	11 X 8 1/4	STYLE CASE	VINYL PAD HOLDER	BAR SEAL	178
CAP.		DUE DATE	12-29-06	COMPLETED	
LOCATION		QUANTITY	750	DATE	12-15-06

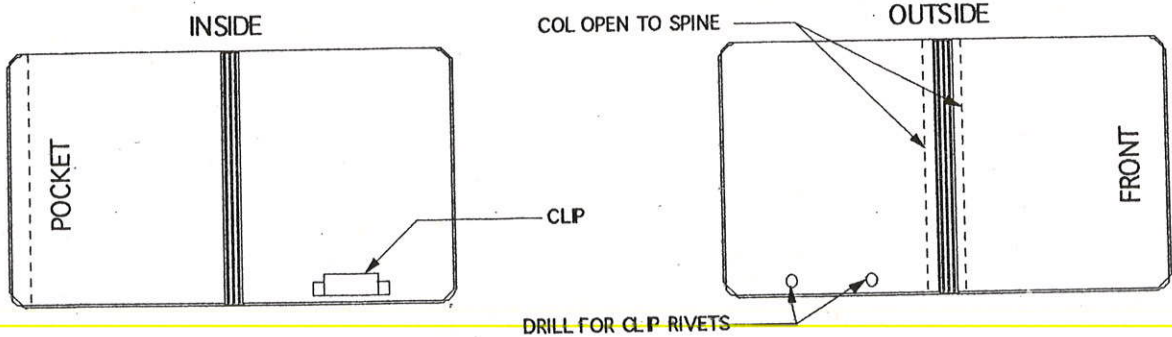
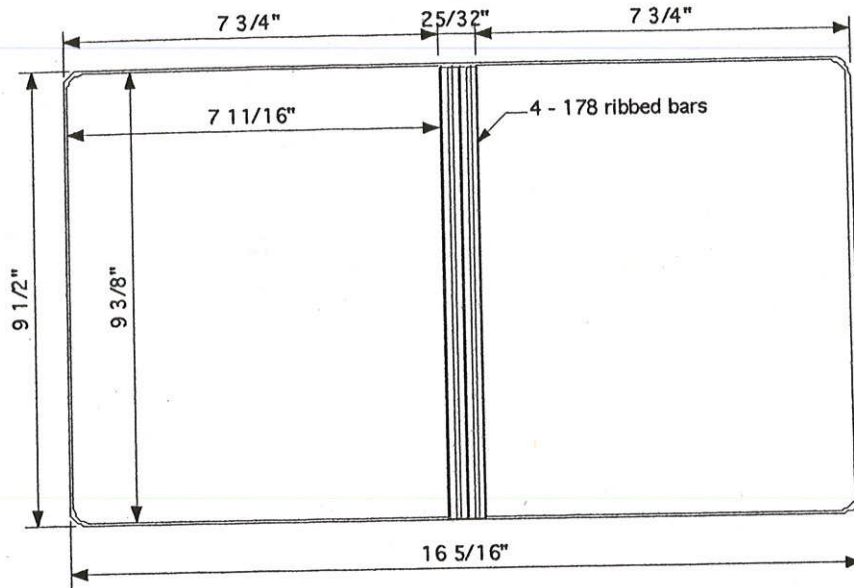
*** WARNING DRAWING NOT ACTUAL SIZE ***



MATERIAL SPECS		GAUGE	PCS.	MATERIAL SPECS		GAUGE	PCS.
COVER MAT.	12 1/4 X 17 3/4		1	LINING MAT.	12 X 17 1/2		1
COVER MAT.				LINING MAT.			
DIE CUT				HORZ. PKT.	4 3/8 X 7 1/4		1
COL				VERT. PKT.			
LABEL HOLDER				DIE CUT			
GUSSET				REINF.	1 X 2	PEN LOOP	1
BOARD SPECS		GAUGE	PCS.	BOARD SPECS		GAUGE	PCS.
F.C. BOARD	11 X 8 1/16	80	1	F.C. BOARD			
B.B. BOARD				B.B. BOARD			
B.C. BOARD	11 X 8 1/16	80	1	B.C. BOARD			
FLAP BD.				DIE CUT			
BOARD				DIE CUT			

DIE #	8260	METAL	CLIP	RADIUS	3/8"
ORDER #	766971	CUSTOMER	INNOVATIVE MARKETING	TEAR SEAL	.014
SHEET SIZE	9 1/2 X 7 3/4	STYLE CASE	VINYL PADHOLDER	BAR SEAL	178
CAP.		DUE DATE	1-11-06	COMPLETED	
LOCATION		QUANTITY	3000	DATE	12-27-06

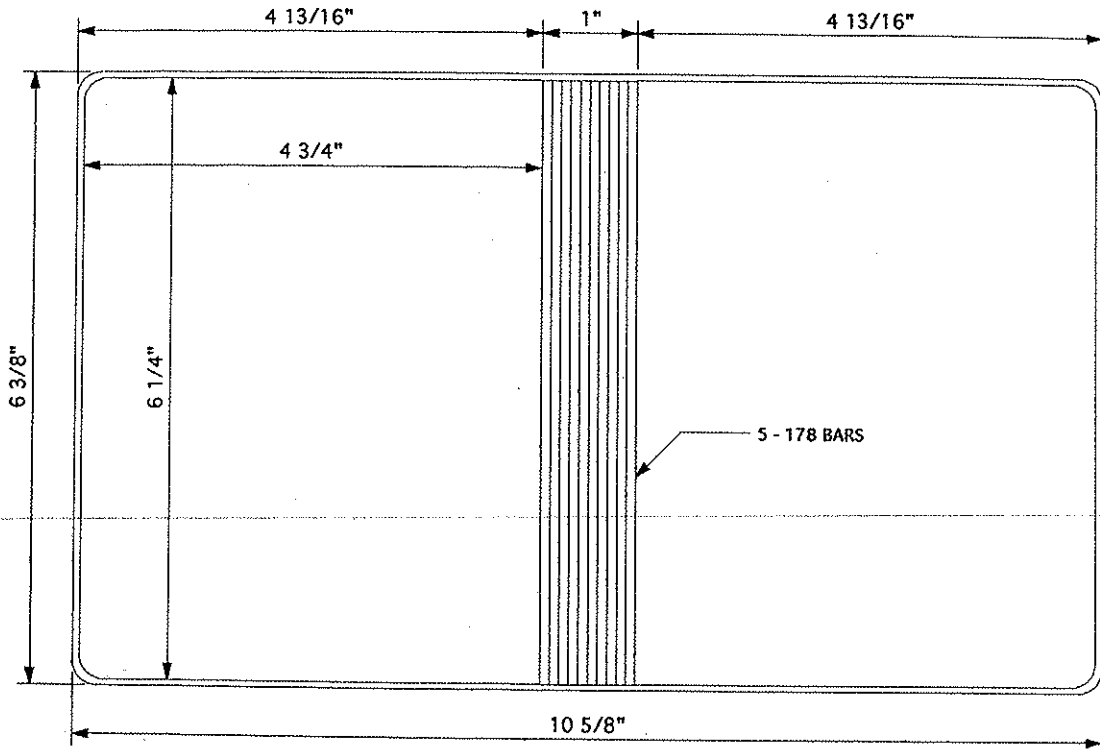
*** WARNING DRAWING NOT ACTUAL SIZE ***



MATERIAL SPECS		GAUGE	PCS.	MATERIAL SPECS		GAUGE	PCS.
COVER MAT.	10 1/4 X 17 1/16		1	LINING MAT.	10 1/4 X 17 1/16		1
COVER MAT.				LINING MAT.			
DIE CUT				HORZ. PKT.			
COL	10 1/4 X 7 7/8		2	VERT. PKT.	10 1/4 X 7 3/8		1
LABEL HOLDER				DIE CUT			
GUSSET				REINF.			
BOARD SPECS		GAUGE	PCS.	BOARD SPECS		GAUGE	PCS.
F.C. BOARD	9 5/16 X 7 5/8		2	F.C. BOARD			
B.B. BOARD				B.B. BOARD			
B.C. BOARD				B.C. BOARD			
FLAP BD.				DIE CUT			
BOARD				DIE CUT			

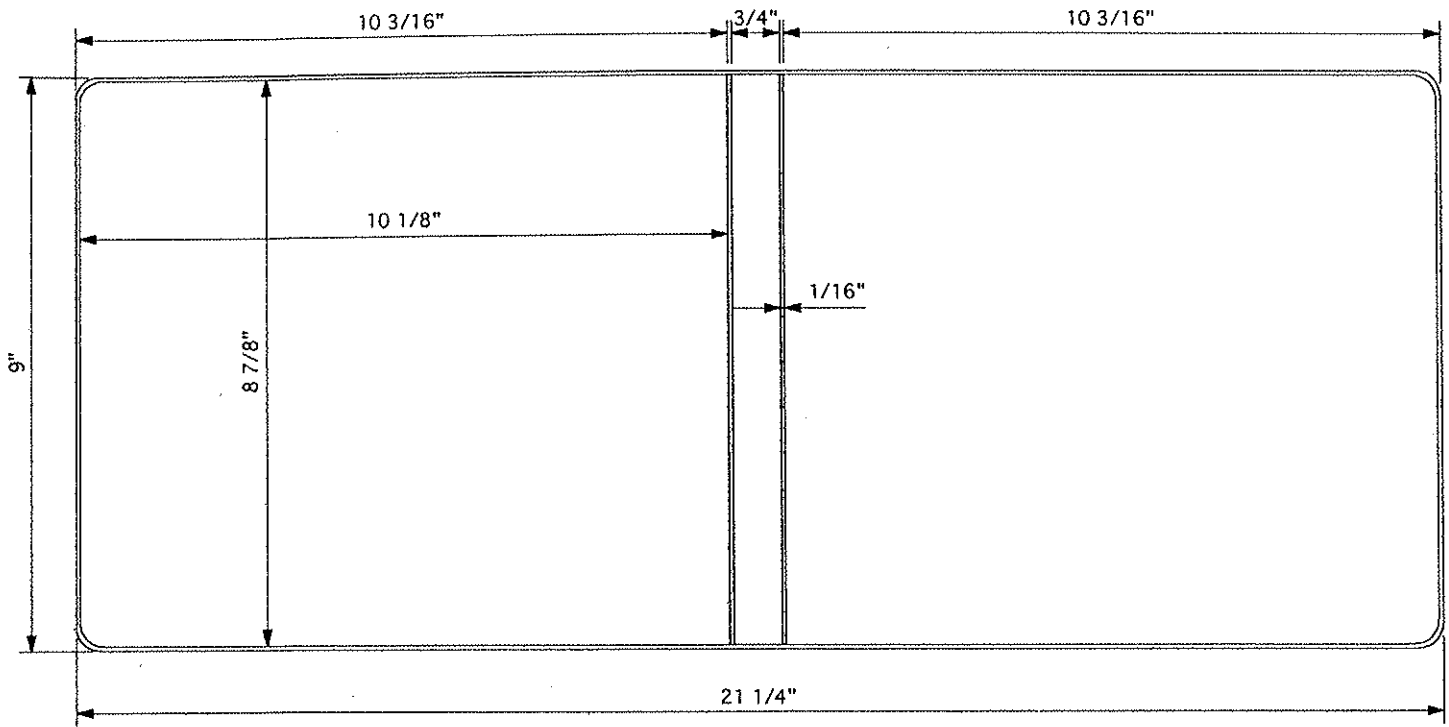
DIE #	8282	METAL	NONE	RADIUS	1/4"
ORDER #	773329	CUSTOMER	CUSH COMMUNICATIONS	TEAR SEAL	.014
SHEET SIZE	6 X 4 1/2	STYLE CASE	VINYL PADHOLDER	BAR SEAL	178
CAP.	5/8"	DUE DATE	2-20-07	COMPLETED	
LOCATION		QUANTITY	3000	DATE	2-15-07

*** WARNING DRAWING NOT ACTUAL SIZE ***



MATERIAL SPECS		GAUGE	PCS.	MATERIAL SPECS	GAUGE	PCS.
COVER MAT.	7 1/8 X 11 3/8		1	LINING MAT.	7 1/8 X 11 3/8	1
COVER MAT.				LINING MAT.		
DIE CUT				HORZ. PKT.	5 1/2 X 11 3/8	1
COL				VERT. PKT.	7 1/8 X 4 3/8	1
LABEL HOLDER				DIE CUT		
GUSSET				REINF.		
BOARD SPECS		GAUGE	PCS.	BOARD SPECS	GAUGE	PCS.
F.C. BOARD	6 3/16 X 4 11/16	100	1	F.C. BOARD		
B.B. BOARD				B.B. BOARD		
B.C. BOARD	6 3/16 X 4 11/16	100	1	B.C. BOARD		
FLAP BD.				DIE CUT		
BOARD				DIE CUT		

DIE #	8421	METAL	NONE	RADIUS	3/8"
ORDER #	816106	CUSTOMER	NCH LIT. DEPARTMENT	TEAR SEAL	.012
SHEET SIZE	9 X 10	STYLE CASE	VINYL PAD HOLDER	BAR SEAL	102
CAP.	3/4"	DUE DATE	11-30-07	COMPLETED	
LOCATION		QUANTITY	100	DATE	11-28-07

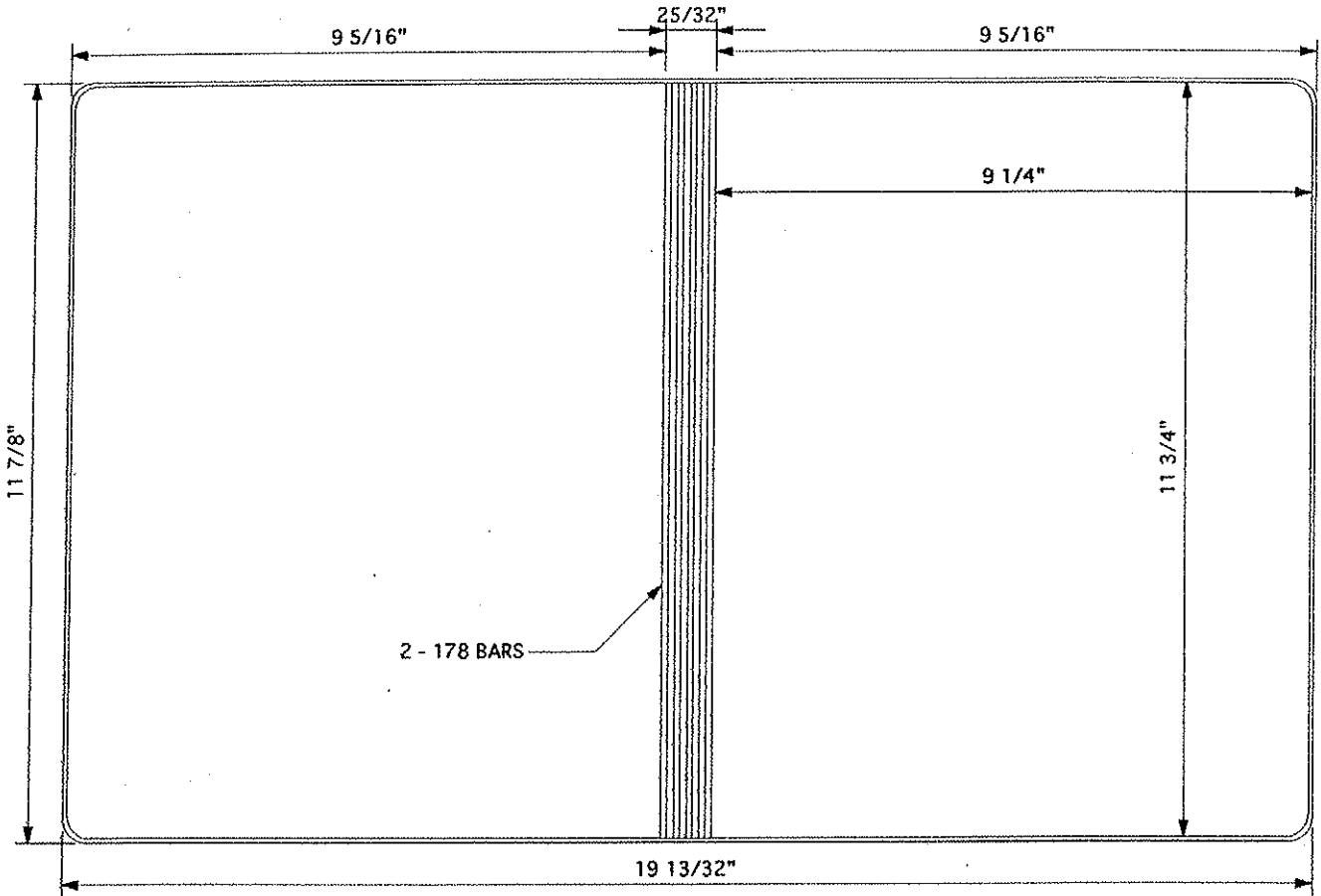


MATERIAL SPECS		GAUGE	PCS.	MATERIAL SPECS		GAUGE	PCS.
COVER MAT.	9 3/4 X 22	V226	1	LINING MAT.	9 3/4 X 22	V226	1
COVER MAT.				LINING MAT.			
DIE CUT				VERT. PKT.	9 3/4 X 4 1/16	CLEAR	1
COL				VERT. PKT.	9 3/4 X 9 5/8	V226	1
LABEL HOLDER				DIE CUT			
GUSSET				REINF.			

BOARD SPECS		5/16" R. CORNERS	GAUGE	PCS.	BOARD SPECS		5/16" R. CORNERS	GAUGE	PCS.
F.C. BOARD	8 13/16 X 10 1/16		100	1	F.C. BOARD				
B.B. BOARD					B.B. BOARD				
B.C. BOARD	8 13/16 X 10 1/16		100	1	B.C. BOARD				
FLAP BD.					DIE CUT				
BOARD					DIE CUT				

DIE #	8652	METAL		RADIUS	3/8"
ORDER #	880933	CUSTOMER	LEE WAYNE CORP	TEAR SEAL	.014
SHEET SIZE	11 X 9	STYLE CASE	VINYL PADHOLDER	BAR SEAL	178
CAP.		DUE DATE	2-10-09	COMPLETED	
LOCATION		QUANTITY	500	DATE	2-3-09

*** WARNING DRAWING NOT ACTUAL SIZE ***



MATERIAL SPECS		GAUGE	PCS.	MATERIAL SPECS		GAUGE	PCS.
COVER MAT.	12 5/8 X 20 1/8		1	LINING MAT.	12 5/8 X 20 1/8		1
COVER MAT.				LINING MAT.			
DIE CUT				HORZ. PKT.			
COL	12 X 20 1/8		2	VERT. PKT.			
LABEL HOLDER				DIE CUT			
GUSSET				REINF.			
BOARD SPECS		GAUGE	PCS.	BOARD SPECS		GAUGE	PCS.
	5/16" R. CORNERS				5/16" R. CORNERS		
F.C. BOARD	11 21/32 X 9 5/32	100	2	F.C. BOARD			
B.B. BOARD				B.B. BOARD			
B.C. BOARD				B.C. BOARD			
FLAP BD.				DIE CUT			
BOARD				DIE CUT			