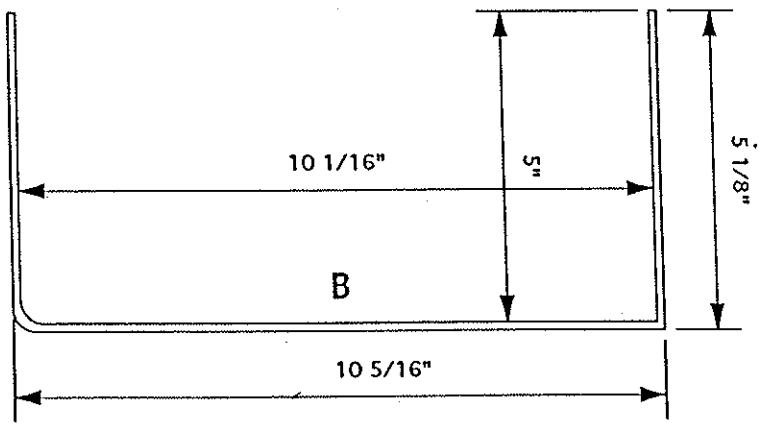
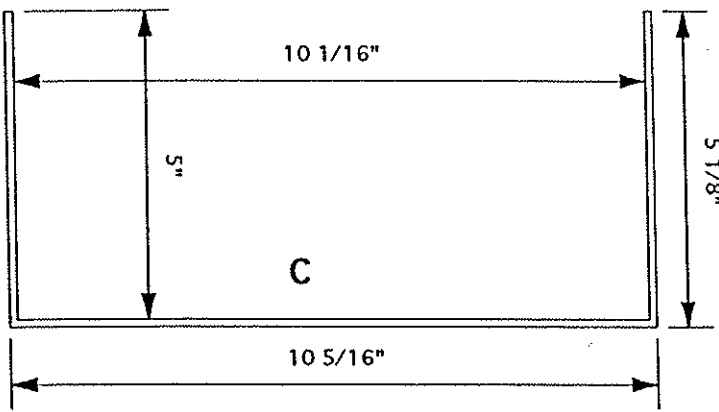


Fits C/m Die # 5391

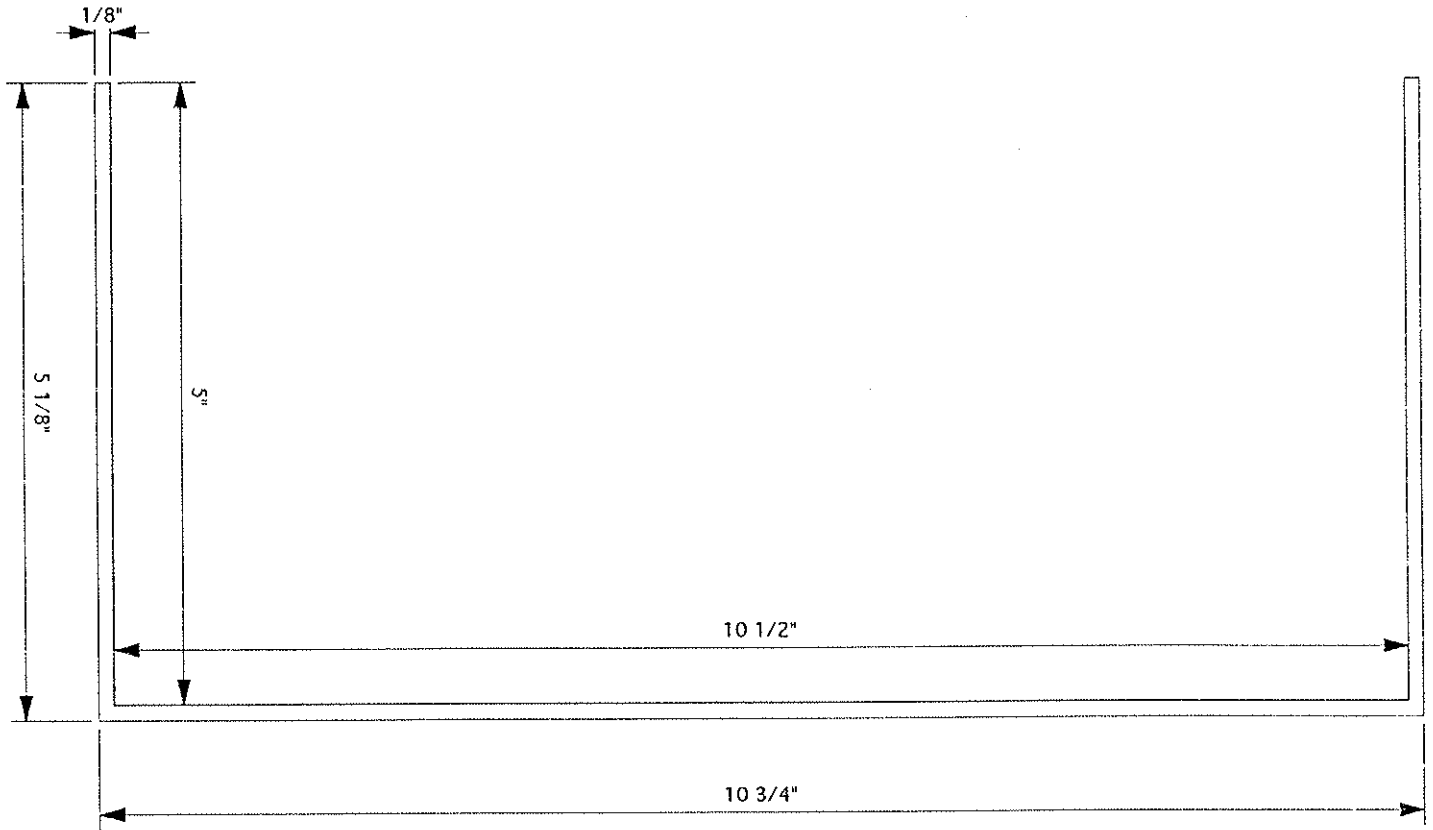
DIE # 5391 B&C		STYLE CASE VINYL POCKET DIES		LOCATION	
SHEET SIZE		CAP.		ORDER #	
CUSTOMER TRA				DUE DATE	
QUANTITY		RADIUS		TEAR SEAL	
DATE		COMPLETED		BAR SEAL	253



MATERIAL SPECS	GA	PCS		GA	PCS
COVER MATL	5 1/8 X 10 5/16	1	LINING		
COVER MATL			LINING		
VERT PKT			HORZ PKT		
VERT PKT			HORZPKT		
CARD HOLDER			DIAGONAL PKT		
COL			LABEL HOLDER		
EX COL			GUSSETT		
			REINF		

BOARD SPECS					
F.C. BOARD			F.C. BOARD		
B.B. BOARD			B.B. BOARD		
B.C. BOARD			B.C. BOARD		
BU STRIP					

DIE # 5460	STYLE CASE 5" HORZ. PKT.	LOCATION V-2
SHEET SIZE	CAP.	ORDER # 976657,8,70,71
CUSTOMER CENTURY FURN.	DUE DATE 11/15/93	
QUANTITY	RADIUS	TEAR SEAL
DATE 11/15/93	COMPLETED	BAR SEAL



MATERIAL SPECS

GA PCS

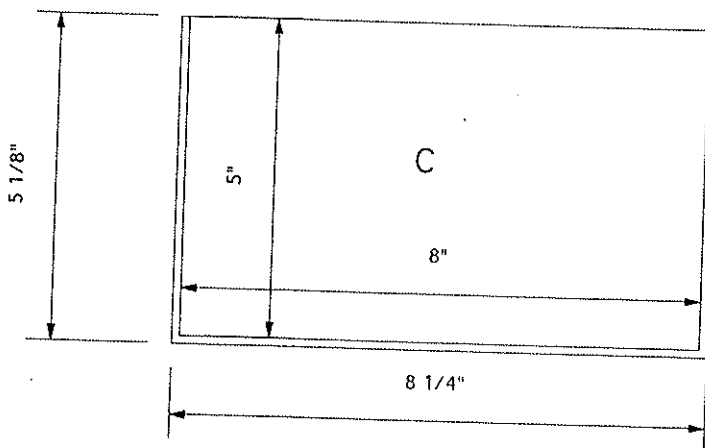
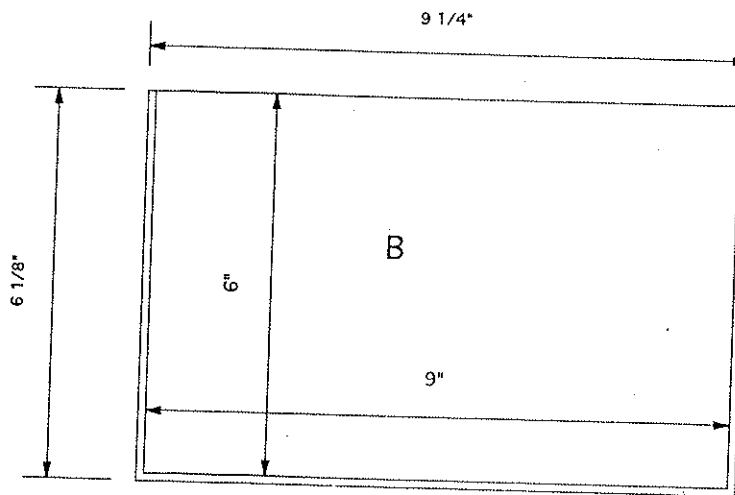
GA PCS

COVER MATL		LINING		
COVER MATL		LINING		
VERT PKT		HORZ PKT	10 3/4 X 5 1/8	1
VERT PKT		HORZPKT		
CARD HOLDER		DIAGONAL PKT		
COL		LABEL HOLDER		
EX COL		GUSSETT		
		REINF		

BOARD SPECS

F.C. BOARD		F.C. BOARD		
B.B. BOARD		B.B. BOARD		
B.C. BOARD		B.C. BOARD		
BU STRIP				

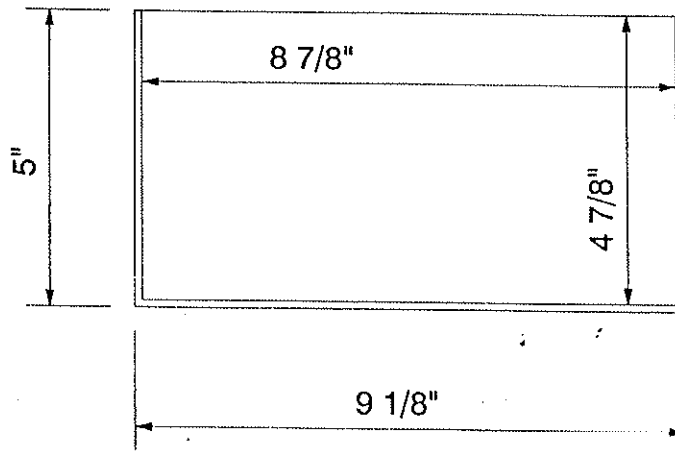
DIE #	5852 B-C	METAL		RADIUS	
ORDER #	981703	CUSTOMER	RICK JOHNSON DESIGNS	TEAR SEAL	
SHEET SIZE		STYLE CASE	PREWELD POCKET DIES	BAR SEAL	253
CAP.		DUE DATE	6-9-95	COMPLETED	
LOCATION	Q-1-8	QUANTITY	2	DATE	6-6-95



MATERIAL SPECS		GAUGE		MATERIAL SPECS		GAUGE	
COVER MAT.				LINING MAT.			
COVER MAT.				LINING MAT.			
DIE CUT				6" PKT.	6 1/2 X 10		1
COL				5". PKT.	5 1/8 X 8 1/4		1
LABEL HOLDER				DIE CUT			
GUSSET				REINF.			

BOARD SPECS		GAUGE		BOARD SPECS		GAUGE	
F.C. BOARD				CAP. BOARD	6 1/2 X 8 5/8	120	1
B.B. BOARD				B.B. BOARD			
B.C. BOARD				B.C. BOARD			
B.U. STRIP				DIE CUT			
DIE CUT				DIE CUT			

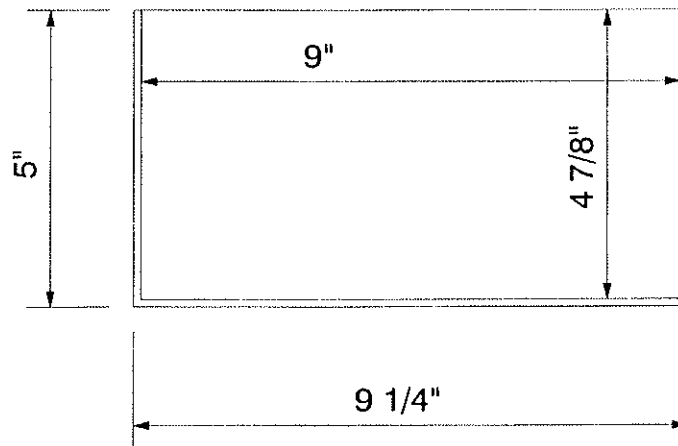
DIE #	6126-B	METAL	LOC	RADIUS	
ORDER #	338845	CUSTOMER	WETMORE FULLFILLIMENT	DATE	5-25-00
SHEET SIZE	11 X 9	STYLE CASE	CM BINDER	SPACE	
CAP.	1 1/2"	QUANTITY		DUE DATE	



MATERIAL SPECS		GAUGE		MATERIAL SPECS		GAUGE	
COVER MAT.				LINING MAT.			
COVER MAT.				LINING MAT.			
1/8" TOL				HORZ. PKT.	5 x 9 1/8		1
PKT LINING				HORZ. PKT.			
DIE CUT				POCKET			
DIE CUT				REINF. MAT			

BOARD SPECS		GAUGE		BOARD SPECS		GAUGE	
F.C. BOARD				PKT BOARD			
EXPOSED BB				PKT BOARD			
B.C. BOARD				BOARD			
ROUTED BD				DIE CUT			
CONCEALED BB				DIE CUT			

DIE #	6182-C	METAL		RADIUS	
ORDER #		CUSTOMER	STOCK POCKET	DATE	1-14-02
SHEET SIZE	11 X 9	STYLE CASE	VINYL POCKET DIE	SPACE	
CAP.		QUANTITY		DUE DATE	

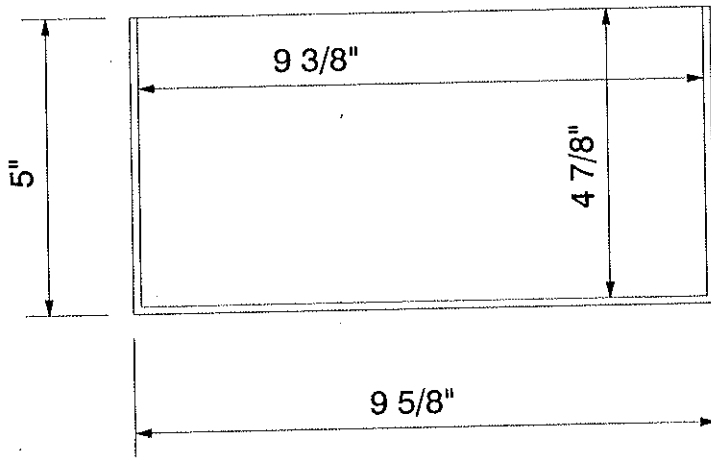


MATERIAL SPECS		GAUGE		MATERIAL SPECS		GAUGE	
COVER MAT.			PCS.	LINING MAT.			PCS.
COVER MAT.				LINING MAT.			
1/8" TOL				HORZ. PKT.	5 x 9 1/4		1
PKT LINING				HORZ. PKT.			
DIE CUT				POCKET			
DIE CUT				REINF. MAT			

BOARD SPECS		GAUGE		BOARD SPECS		GAUGE	
F.C. BOARD			PCS.	PKT BOARD			PCS.
EXPOSED BB				PKT BOARD			
B.C. BOARD				BOARD			
ROUTED BD				DIE CUT			
CONCEALED BB				DIE CUT			

Fits Die # 6862

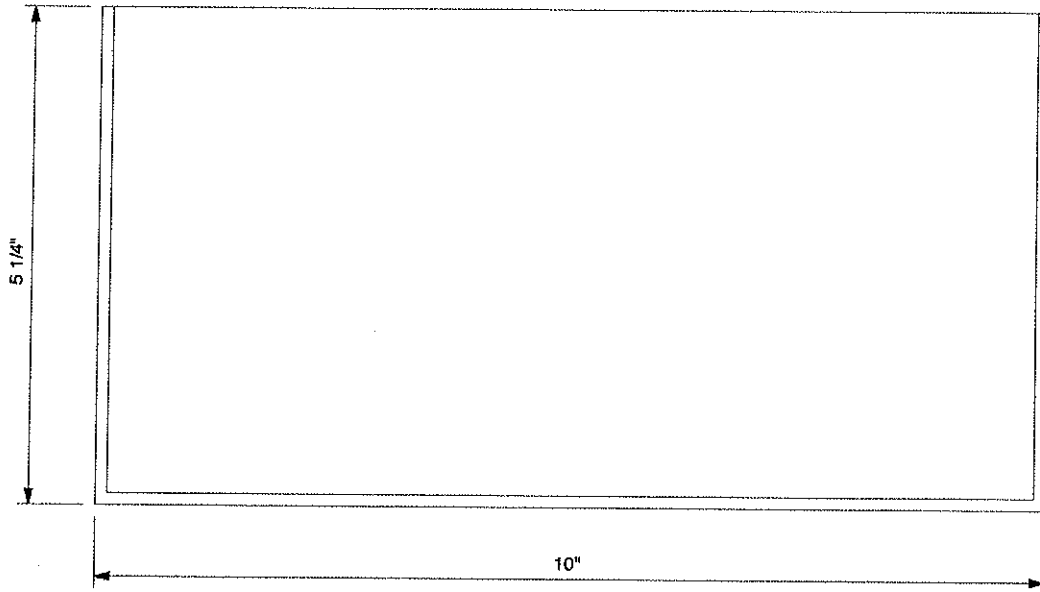
DIE #	6862-B	METAL	LOC	RADIUS	
ORDER #	311731	CUSTOMER	VIKING SEWING	DATE	2-11-00
HEET SIZE	11 X 9	STYLE CASE	CM BINDER	SPACE	5/16"
GAP.	1/2"	QUANTITY		DUE DATE	



MATERIAL SPECS		GAUGE		MATERIAL SPECS		GAUGE	
			PCS.				PCS.
COVER MAT.				LINING MAT.			
COVER MAT.				LINING MAT.			
1/8" TOL				HORZ. PKT.	5 x 9 5/8		1
PKT LINING				HORZ. PKT.			
DIE CUT				POCKET			
DIE CUT				REINF. MAT			

BOARD SPECS		GAUGE		BOARD SPECS		GAUGE	
			PCS.				PCS.
F.C. BOARD				PKT BOARD			
EXPOSED BB				PKT BOARD			
B.C. BOARD				BOARD			
ROUTED BD				DIE CUT			
CONCEALED BB				DIE CUT			

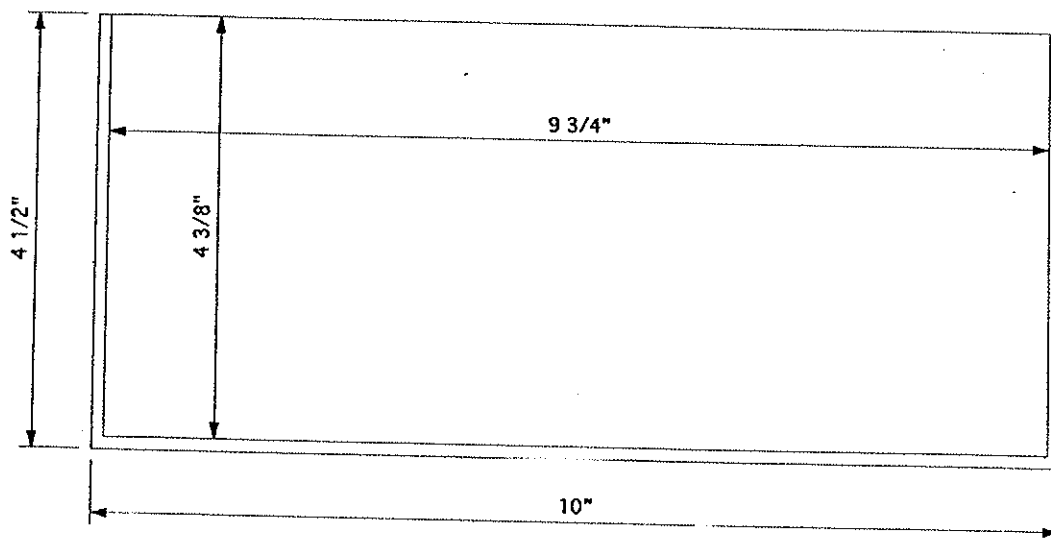
DIE #	8027	METAL		RADIUS	
ORDER #		CUSTOMER	COOPER LIGHTIING	TEAR SEAL	
SHEET SIZE		STYLE CASE	PREWELD POCKET FOR CMRB	BAR SEAL	DEEP EVERLAST
CAP.		DUE DATE	11-30-05	COMPLETED	
LOCATION		QUANTITY		DATE	11-29-05



MATERIAL SPECS		GAUGE	PCS.	MATERIAL SPECS	GAUGE	PCS.
COVER MAT.	5 1/4 X 10		1	LINING MAT.		
COVER MAT.				LINING MAT.		
DIE CUT				HORZ. PKT.		
COL				VERT. PKT.		
LABEL HOLDER				DIE CUT		
GUSSET				REINF.		
BOARD SPECS		GAUGE	PCS.	BOARD SPECS	GAUGE	PCS.
F.C. BOARD	5/16" R. CORNERS			F.C. BOARD	5/16" R. CORNERS	
B.B. BOARD				B.B. BOARD		
B.C. BOARD				B.C. BOARD		
FLAP BD.				DIE CUT		
BOARD				DIE CUT		

DIE #	8289	METAL		RADIUS	
ORDER #	776141	CUSTOMER	BUSHTRACKS EXPEDITIONS	TEAR SEAL	
SHEET SIZE		STYLE CASE	4 1/2" PREWELD POCKET	BAR SEAL	48-4
CAP.		DUE DATE	3-2-07	COMPLETED	
LOCATION		QUANTITY	960	DATE	2-28-07

*** WARNING DRAWING NOT ACTUAL SIZE ***



MATERIAL SPECS		GAUGE	PCS.	MATERIAL SPECS		GAUGE	PCS.
COVER MAT.				LINING MAT.			
COVER MAT.				LINING MAT.			
DIE CUT				HORZ. PKT.	4 1/2 X 10		1
COL				VERT. PKT.			
LABEL HOLDER				DIE CUT			
GUSSET				REINF.			
BOARD SPECS		GAUGE	PCS.	BOARD SPECS		GAUGE	PCS.
F.C. BOARD	5/16" R. CORNERS			F.C. BOARD	5/16" R. CORNERS		
B.B. BOARD				B.B. BOARD			
B.C. BOARD				B.C. BOARD			
FLAP BD.				DIE CUT			
BOARD				DIE CUT			