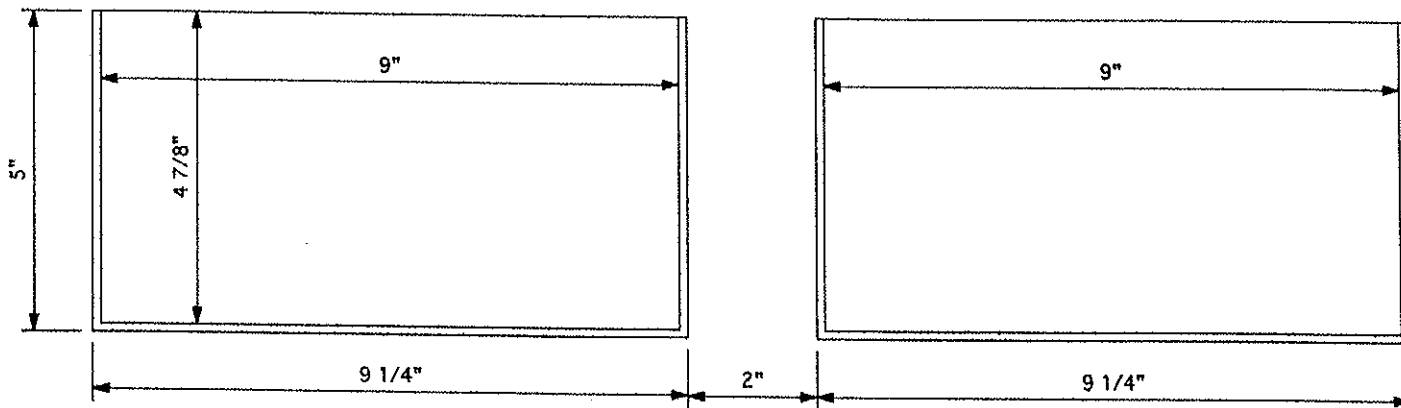


Fits CMFS 50

DIE #	CMFS-50-P	METAL	RR - STR D - AD	RADIUS	
ORDER #	STOCK	CUSTOMER	VULCAN	DATE	6-8-06
SHEET SIZE	11 X 9	STYLE CASE	POCKET FOR CMFS-50	SPACE	
CAP.	1/2"	QUANTITY		DUE DATE	



MATERIAL SPECS		GAUGE		MATERIAL SPECS		GAUGE	
COVER MAT.				LINING MAT.			
COVER MAT.				LINING MAT.			
COVER MAT.				LINING MAT.			
COVER MAT.				HORZ. PKT.	5 X 9 1/4		2
COVER MAT.				HORZ. PKT.			
LINING MAT.				REINF. MAT			

BOARD SPECS		GAUGE		PCS.	
F.C. BOARD					
B.B. BOARD					
B.C. BOARD					
PKT BOARD					
BOARD					

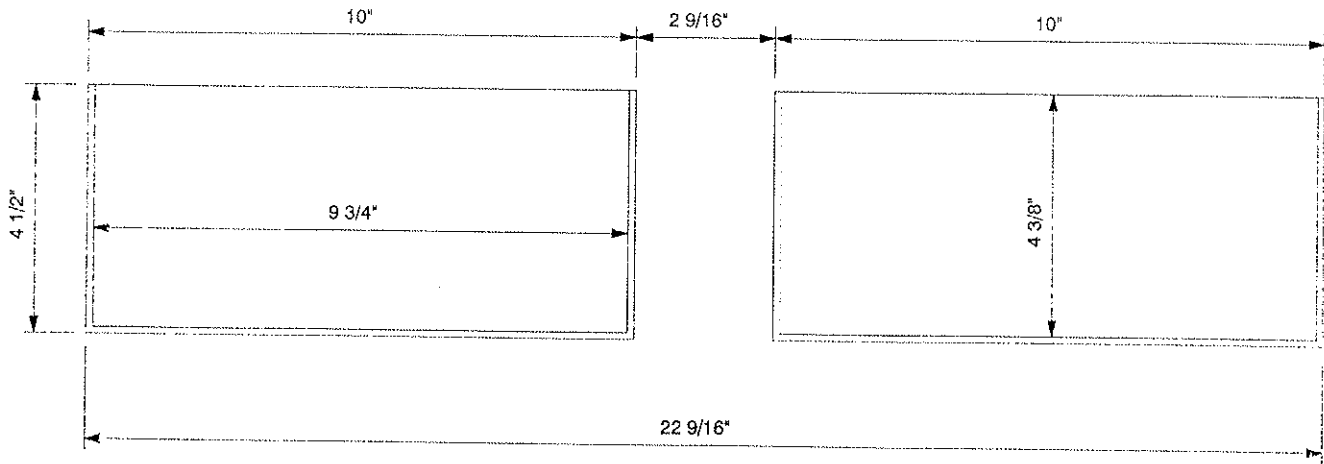
THIS SECTION FOR VB+C ROUTED BOARD ONLY.

		PCS.	
EURO-2 BOARD			
ROUTED			

DIE #	6713	METAL	Fits CMFS 100	RADIUS	
ORDER #	242595	CUSTOMER	GRAPHIC PRESS	TEAR SEAL	
SHEET SIZE		STYLE CASE	PREWELD FOR CM VRB	BAR SEAL	253
CAP.		DUE DATE	6-1-99	COMPLETED	
LOCATION	I-13-4	QUANTITY	2500	DATE	5-21-99

GOES WITH O/E 4785

CMFS 100

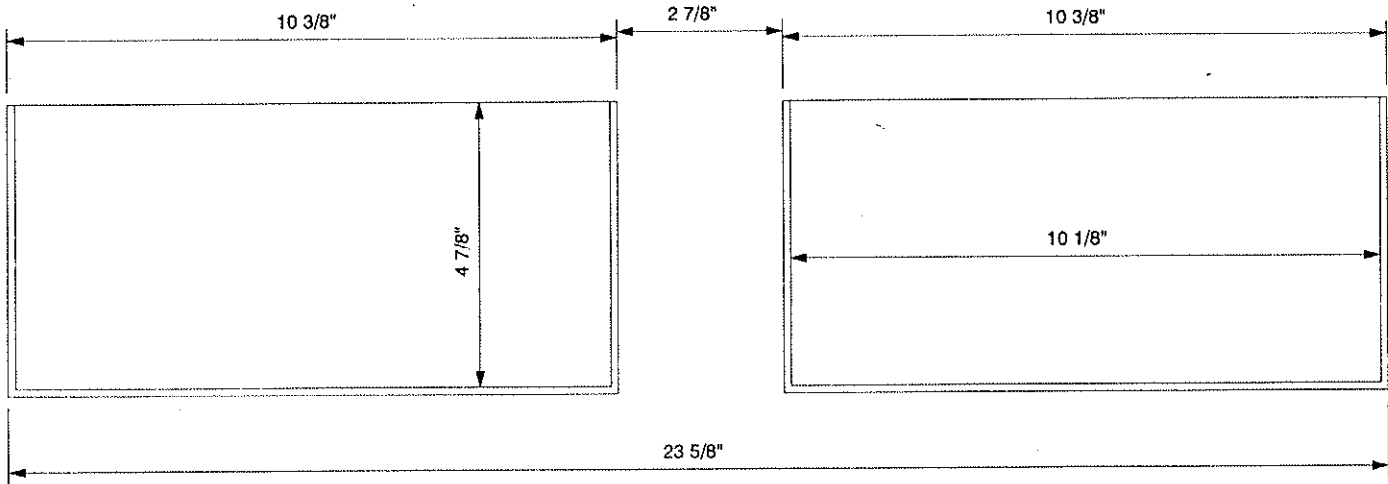


MATERIAL SPECS		GAUGE	PCS.	MATERIAL SPECS	GAUGE	PCS.
COVER MAT.	4 1/2 X 10		2	LINING MAT.		
COVER MAT.				LINING MAT.		
DIE CUT				HORZ. PKT.		
COL				VERT. PKT.		
LABEL HOLDER				DIE CUT		
GUSSET				REINF.		
BOARD SPECS		GAUGE	PCS.	BOARD SPECS	GAUGE	PCS.
5/16" R. CORNERS				5/16" R. CORNERS		
F.C. BOARD				F.C. BOARD		
B.B. BOARD				B.B. BOARD		
B.C. BOARD				B.C. BOARD		
FLAP BD.				DIE CUT		
BOARD				DIE CUT		

Fits CMFS 150

IE #	6837	METAL		RADIUS	
ORDER #	301381	CUSTOMER	T-SQUARE DESIGN	TEAR SEAL	
HEET SIZE		STYLE CASE	POCKET FOR 5224	BAR SEAL	253
MAP.		DUE DATE	1-18-00	COMPLETED	
LOCATION		QUANTITY	5000	DATE	12-29-99

CMFS 150



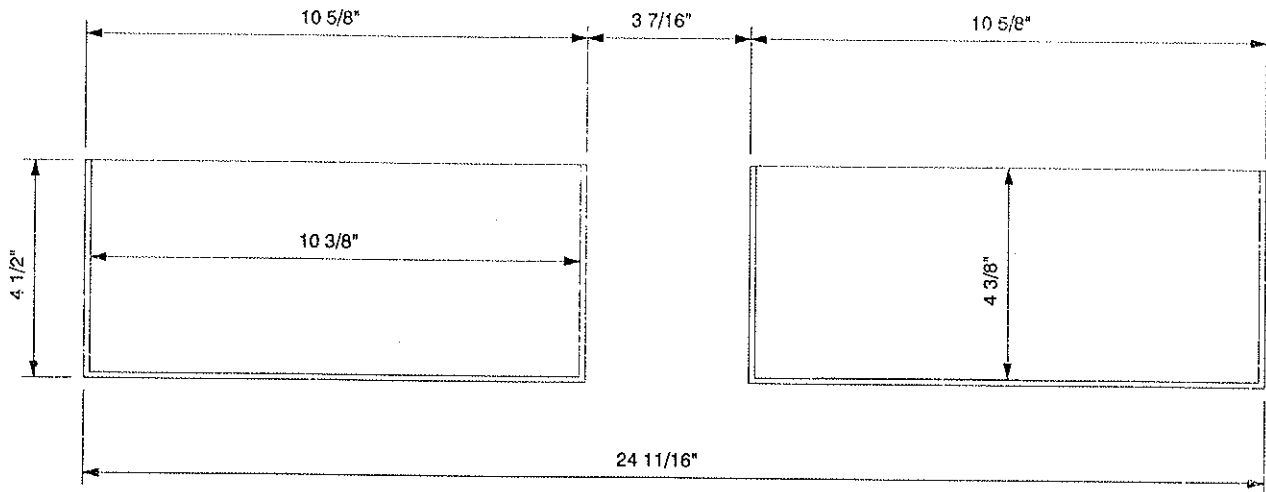
MATERIAL SPECS	GAUGE	PCS.	MATERIAL SPECS	GAUGE	PCS.
COVER MAT.			LINING MAT.		
COVER MAT.			LINING MAT.		
DIE CUT			HORZ. PKT.	5 x 10 3/8	2
COL			VERT. PKT.		
LABEL HOLDER			DIE CUT		
GUSSET			REINF.		
BOARD SPECS			BOARD SPECS		
	5/16" R. CORNERS			5/16" R. CORNERS	
F.C. BOARD			F.C. BOARD		
B.B. BOARD			B.B. BOARD		
B.C. BOARD			B.C. BOARD		
FLAP BD.			DIE CUT		
			DIE CUT		

CMFS 200

Fits - 5225 C/m

DIE #	5225-C	METAL		RADIUS	NONE
ORDER #	185498	CUSTOMER	SIGNMASTERS	TEAR SEAL	
SHEET SIZE	11 X 8 1/2	STYLE CASE	TOP MOUNT PKT DIE	BAR SEAL	253
CAP.		DUE DATE	12-16-98	COMPLETED	
LOCATION	U-1	QUANTITY	6,000	DATE	12-3-98

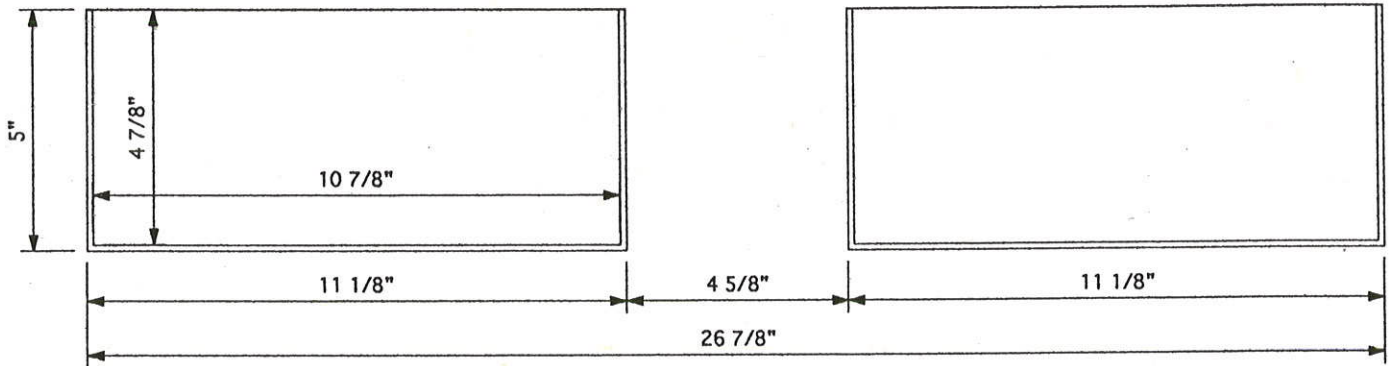
CMFS 200



MATERIAL SPECS		GAUGE PCS.		MATERIAL SPECS		GAUGE PCS.	
COVER MAT.				LINING MAT.			
COVER MAT.				LINING MAT.			
DIE CUT				HORZ. PKT.	4 1/2 X 10 5/8		2
COL				VERT. PKT.			
LABEL HOLDER				DIE CUT			
GUSSET				REINF.			
BOARD SPECS		GAUGE PCS.		BOARD SPECS		GAUGE PCS.	
F.C. BOARD				F.C. BOARD			
B.B. BOARD				B.B. BOARD			
B.C. BOARD				B.C. BOARD			
FLAP BD.				DIE CUT			
BOARD				DIE CUT			

F.7s CMFS 250

DIE #	CMFS-250-P	METAL	RR - STR D - AD	RADIUS	
ORDER #	STOCK	CUSTOMER	VULCAN	DATE	5-30-07
SHEET SIZE	11 X 9	STYLE CASE	2UP POCKET	SPACE	
CAP.	2 1/2"	QUANTITY		DUE DATE	



MATERIAL SPECS		GAUGE		MATERIAL SPECS		GAUGE	
COVER MAT.				LINING MAT.			
COVER MAT.				LINING MAT.			
COVER MAT.				LINING MAT.			
COVER MAT.				HORZ. PKT.	5 X 11 1/8		2
COVER MAT.				HORZ. PKT.			
LINING MAT.				REINF. MAT			

BOARD SPECS		GAUGE		PCS.	
F.C. BOARD					
B.B. BOARD					
B.C. BOARD					
PKT BOARD					
BOARD					

THIS SECTION FOR VB+C ROUTED BOARD ONLY.

		PCS.	
EURO-2 BOARD			
ROUTED			