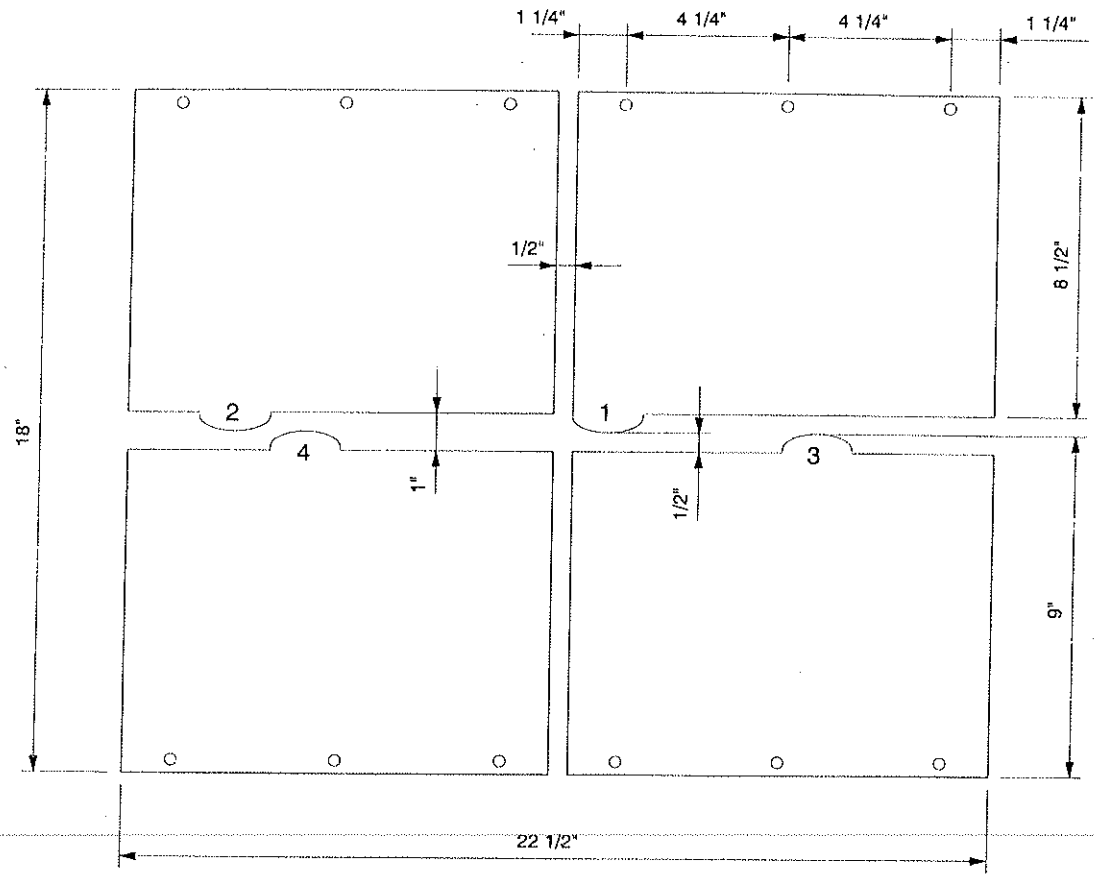


6th Cut

DIE #	7092-A	CUSTOMER	JENELLE JOHANNES	RADIUS	
ORDER #	424225	STYLE CASE	DIECUT FOR POLY TABS	DATE	5-7-01
SHEET SIZE	11 X 9	DUE DATE	5-11-01	COMPLETED	
CAP.		QUANTITY	500		

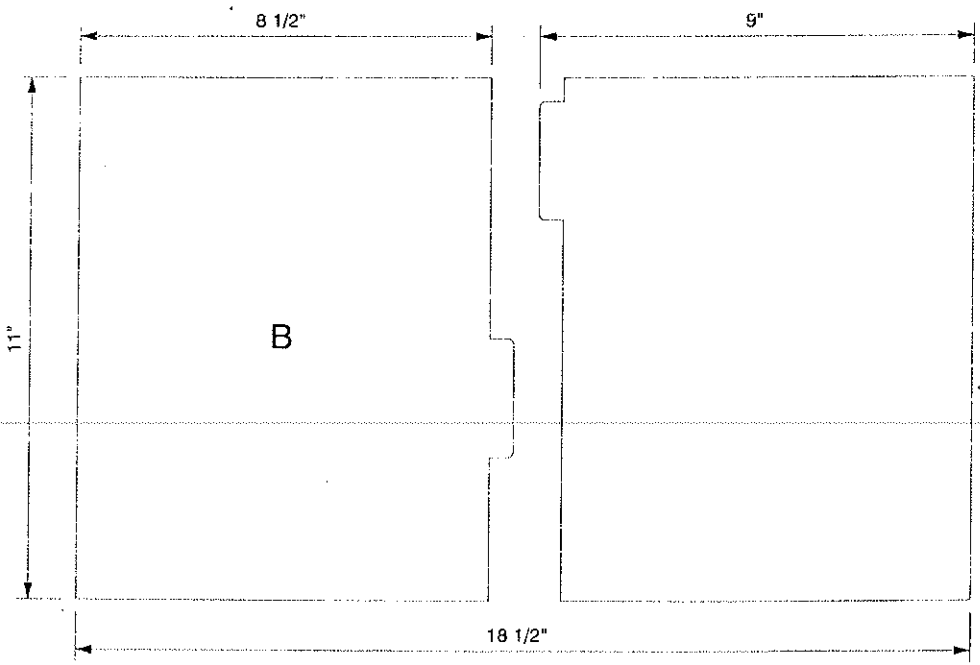
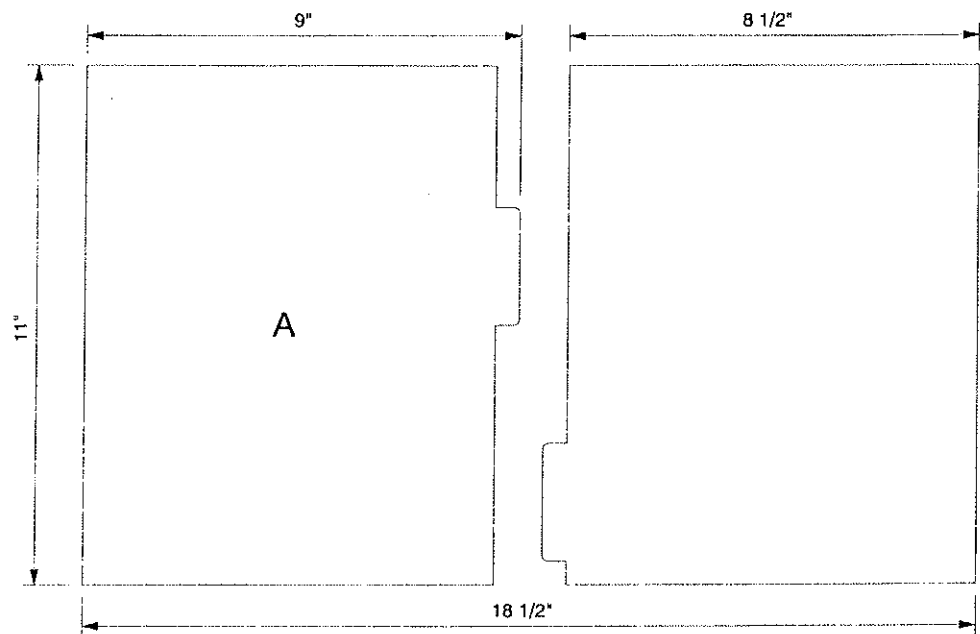


BOARD SPECS		GAUGE PCS.		MATERIAL SPECS		GAUGE PCS.	
DIE CUT				DIE CUT	19 X 23 1/2		1
DIE CUT				DIE CUT	TAB 1,2,3 & 4 ARE 1 OUT		
DIE CUT				DIE CUT			

Only 2 cut

DIE #	D 7232 A-B	CUSTOMER	MASTERBRAND CABINETS	RADIUS	
ORDER #	485651	STYLE CASE	4TH CUT TABS	DATE	3-21-02
SHEET SIZE	11 X 9	DUE DATE	3-22-02	COMPLETED	
CAP.		QUANTITY	1000		

1/2 cut



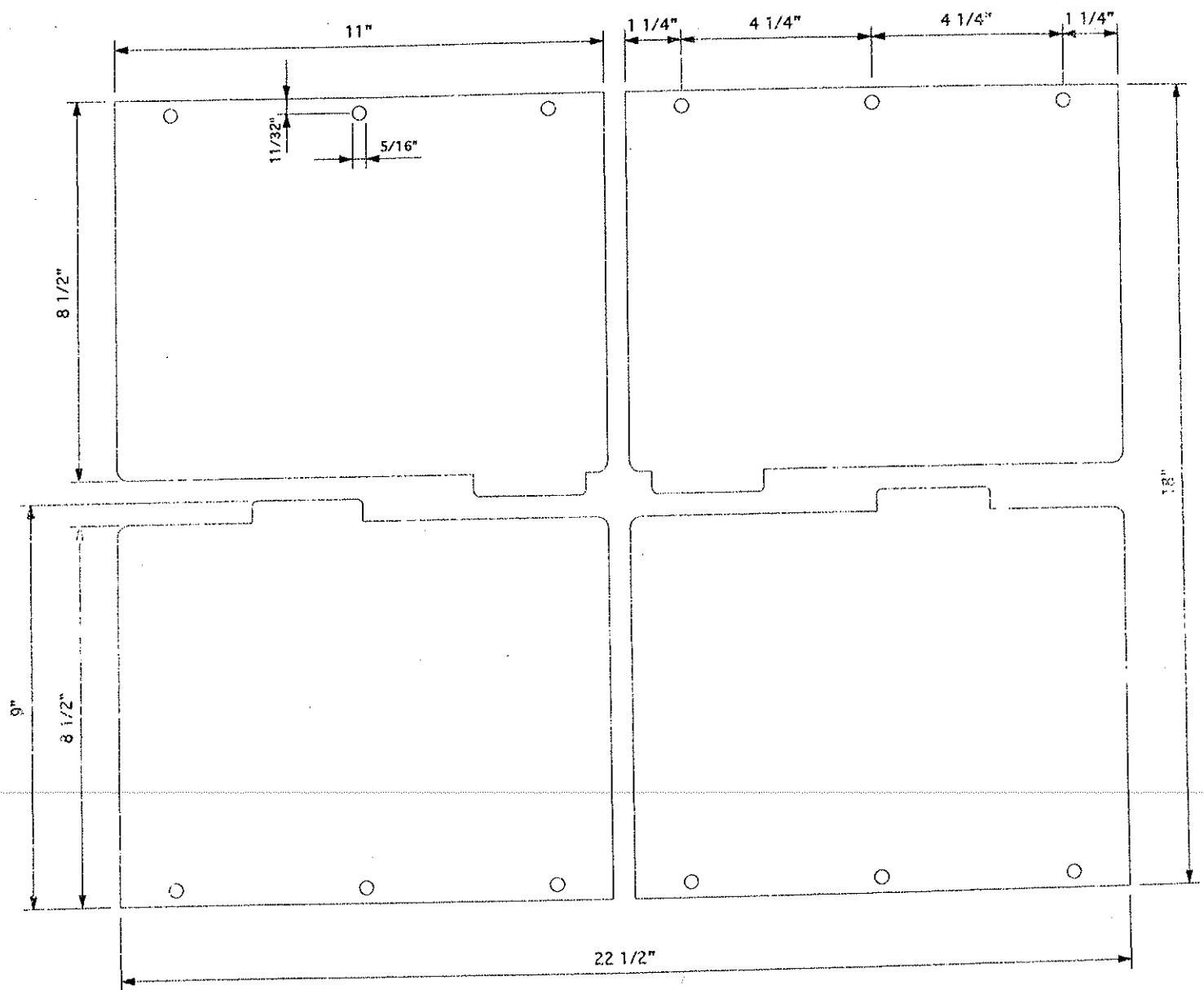
BOARD SPECS	GAUGE	PCS.	MATERIAL SPECS	GAUGE	PCS.
DIE CUT			DIE CUT		1
DIE CUT			DIE CUT		
DIE CUT			DIE CUT		

4-out

DIE # *P* 7393
ORDER # 539276
SHEET SIZE 11 x 9
CAP.

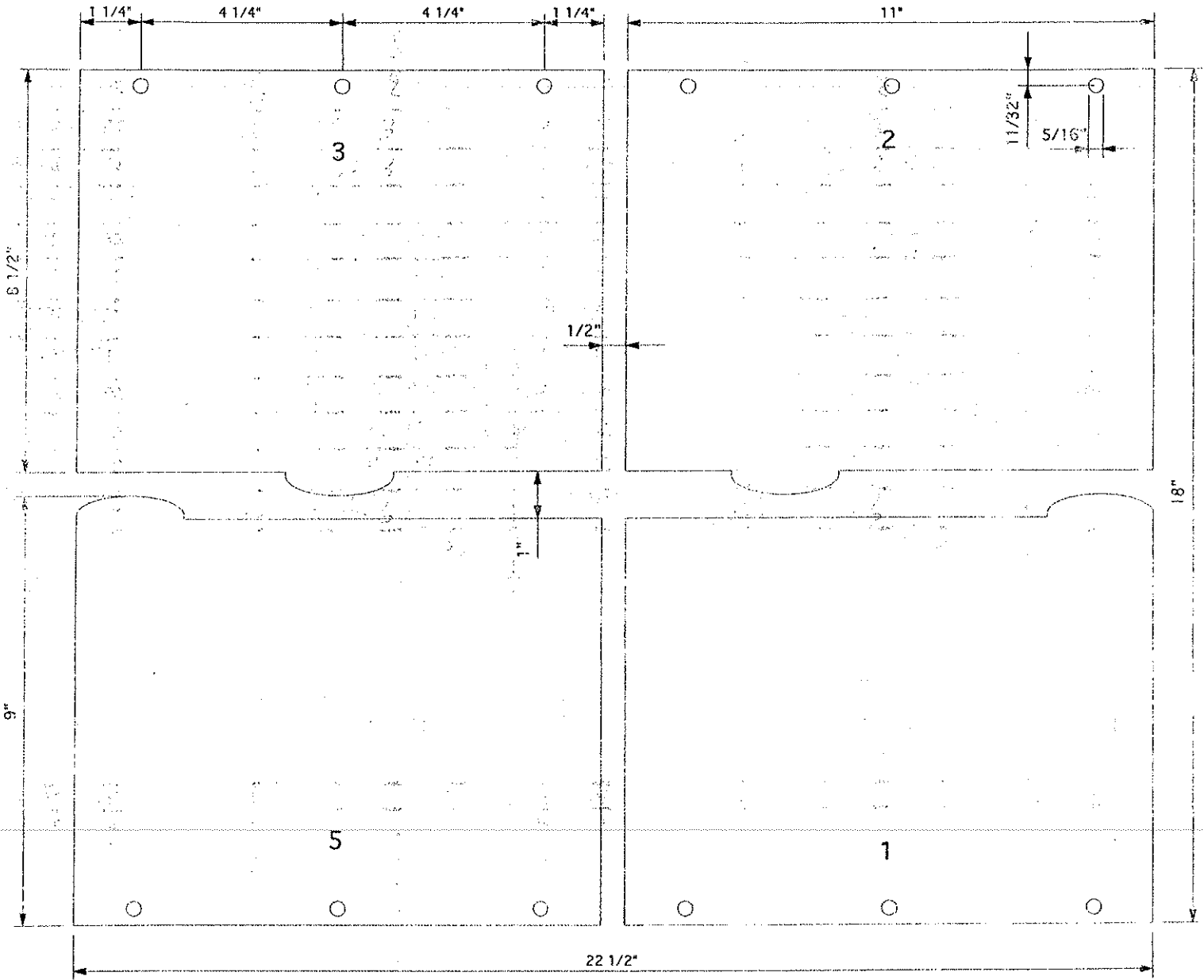
CUSTOMER INTERFACE INC
STYLE CASE POLY TAB 4TH CUT
DUE DATE 2-20-03
QUANTITY 10,000

RADIUS
DATE 2-19-03
COMPLETED



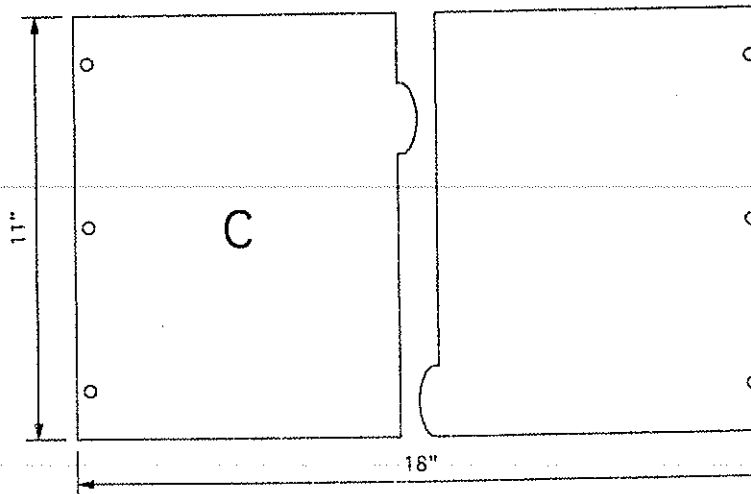
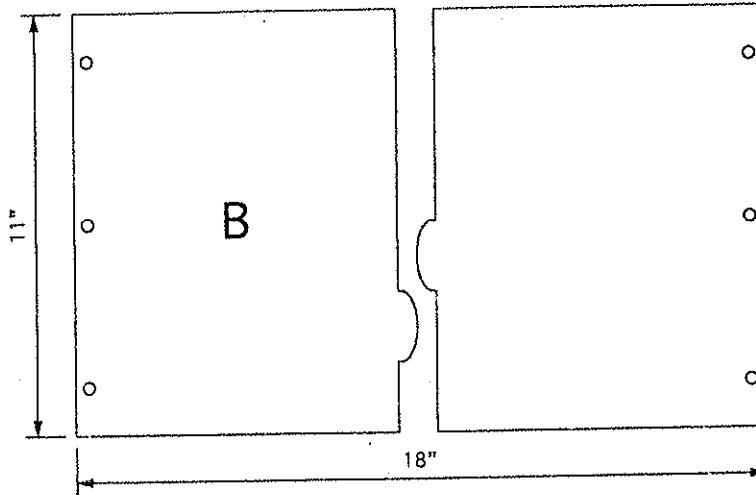
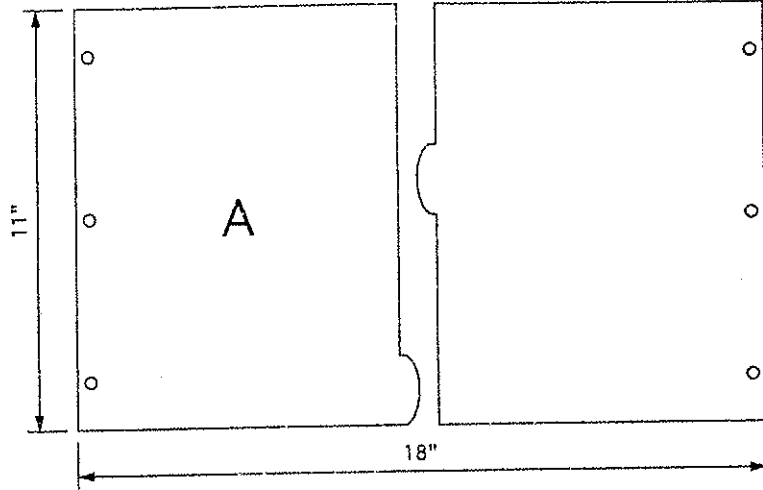
DIE CUT	BOARD SPECS	GAUGE PDS	DIE CUT	MATERIAL SPECS	GAUGE PDS
DIE CUT			DIE CUT	19 X 23 1/2	1
DIE CUT			DIE CUT		
DIE CUT			DIE CUT		

DIE # P 7479	CUSTOMER	MARQUIS CONTRACT	RADIUS
ORDER # 562476	STYLE CASE	ROUNDED POLY TABS	DATE 6-27-03
SHEET SIZE 11 X 9	DUE DATE	7-3-03	COMPLETED
CAP.	QUANTITY	1000	



BOARD SPECS	GAUGE	PCS.	MATERIAL SPECS	GAUGE	PCS.
DIE CUT			DIE CUT	19 X 23 1/2	.023 1
DIE CUT			DIE CUT		
DIE CUT			DIE CUT		

E# P	7562 A-B-C	CUSTOMER	GOTTLIEB & SONS	RADIUS	
ORDER #	583613	STYLE CASE	6TH CUT POLY TABS	DATE	10-29-03
SHEET SIZE	11 X 9	DUE DATE	11-11-03	COMPLETED	
AP.	1 1/2"	QUANTITY	2000		

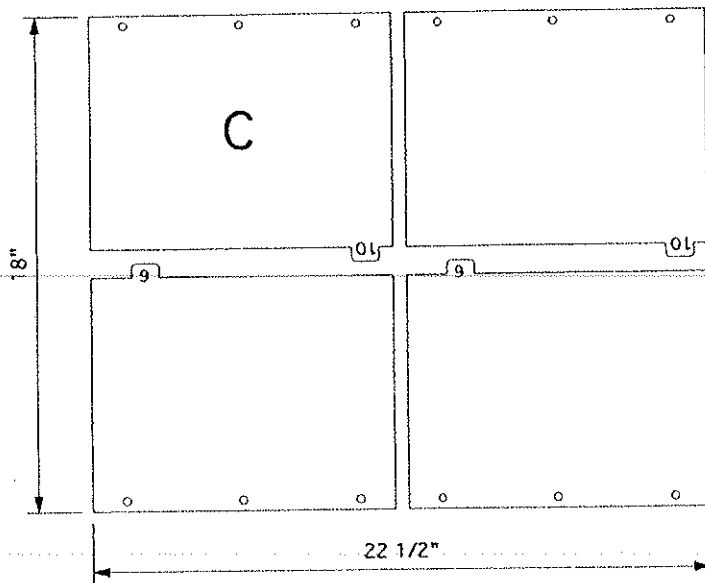
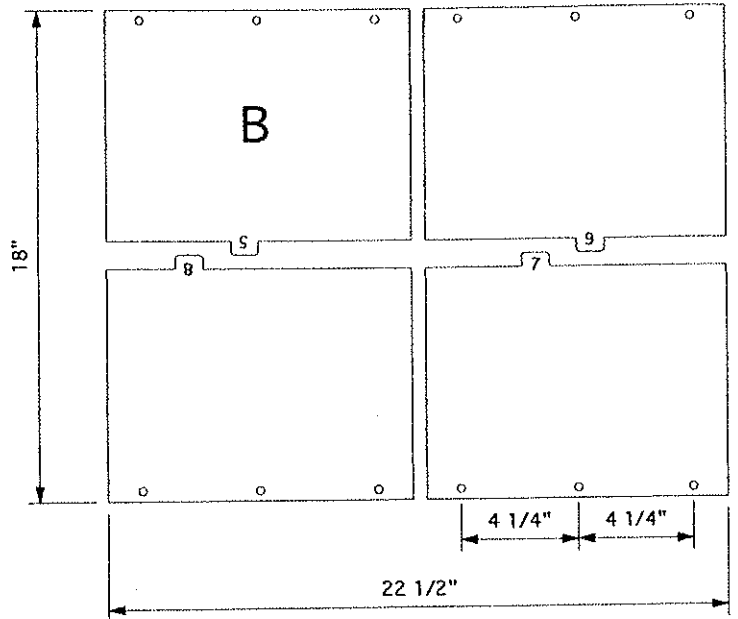
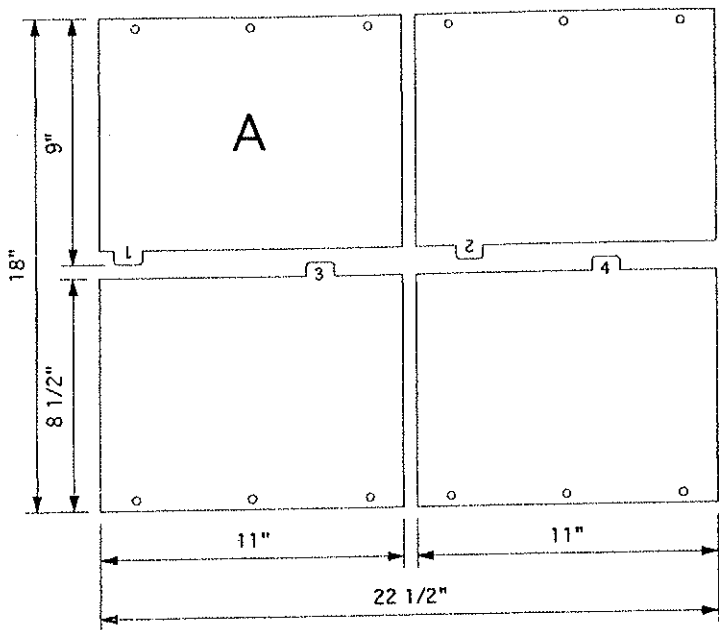


BOARD SPECS	GAUGE	PCS.	MATERIAL SPECS	GAUGE	PCS.
DIE CUT			11 1/2 X 18 1/2	A	23 1
DIE CUT			11 1/2 X 18 1/2	B	23 1
DIE CUT			11 1/2 X 18 1/2	C	23 1

P 7581-A-B-C
 588625
 11 X 9

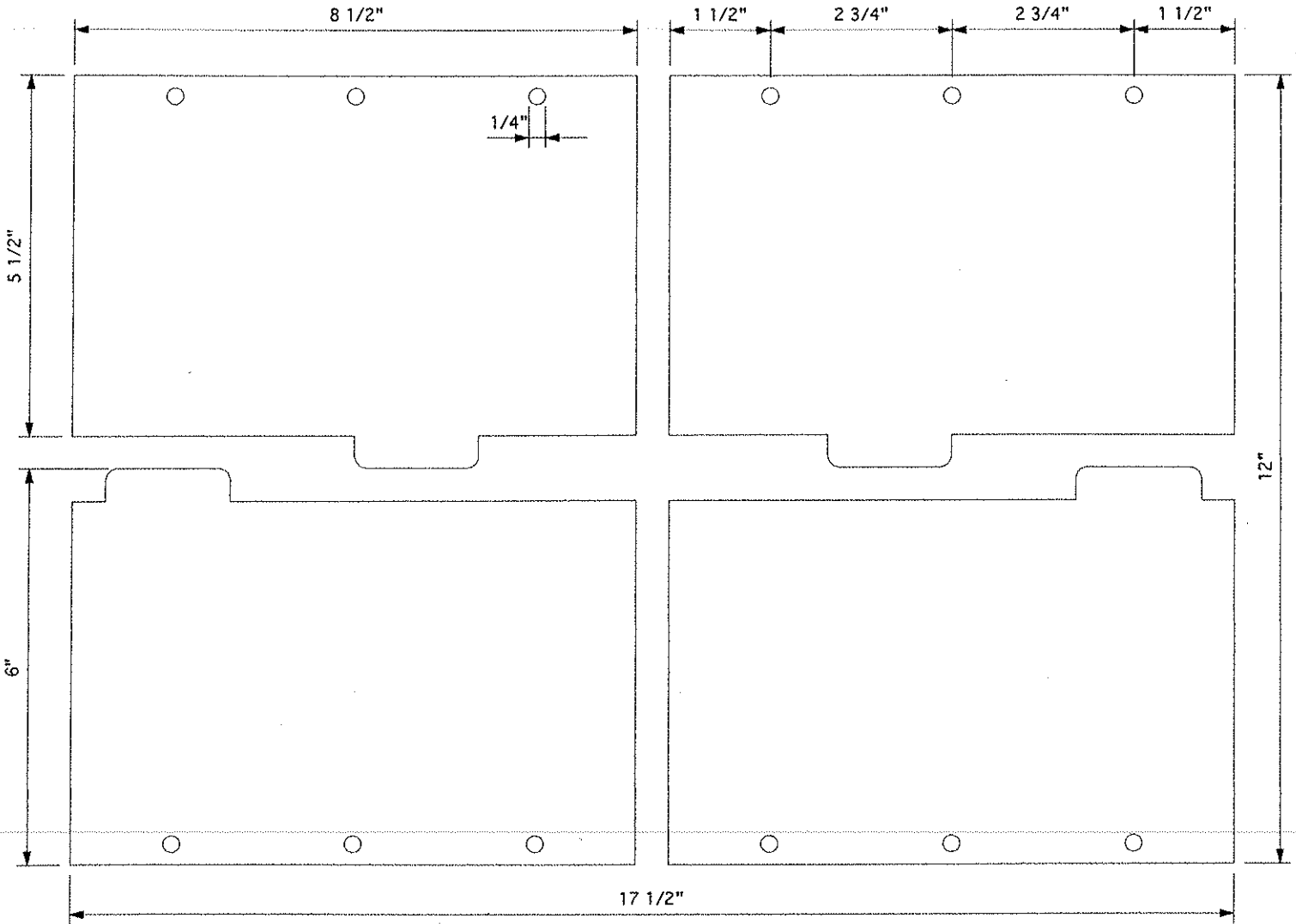
BLOCKBUSTER
 10TH CUT POLY TAB
 12-3-03
 6000

11-24-03



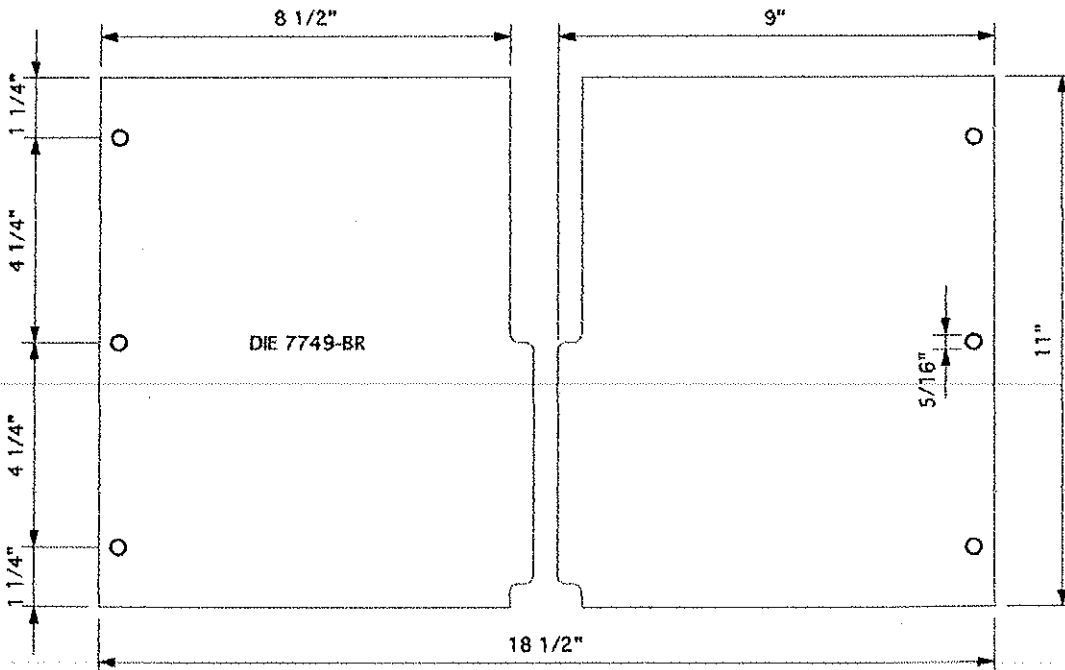
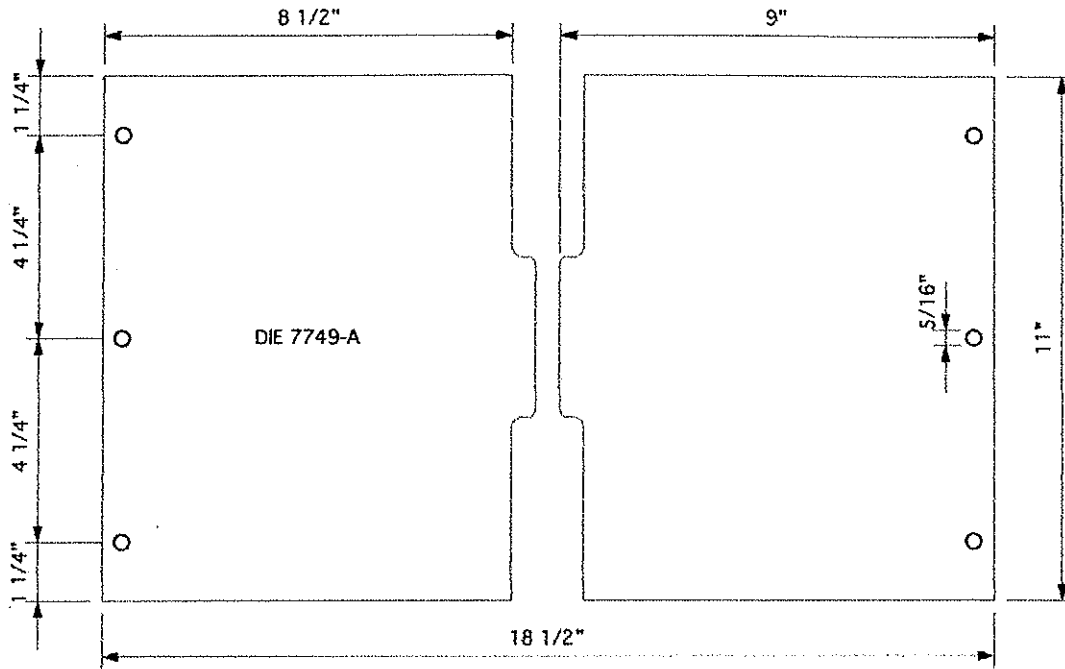
A	18 1/2 X 23	1-4	19	1
B	18 1/2 X 23	5-8	19	1
C	18 1/2 X 23	9-10 (2UP)	19	1

DIE #	7718	CUSTOMER	RECALL NORTH AMERICA	RADIUS	
ORDER #	631099	STYLE CASE	4TH CUT POLY TAB	DATE	7-15-04
SHEET SIZE	8 1/2 X 6	DUE DATE	7-22-04	COMPLETED	
CAP.		QUANTITY	200		



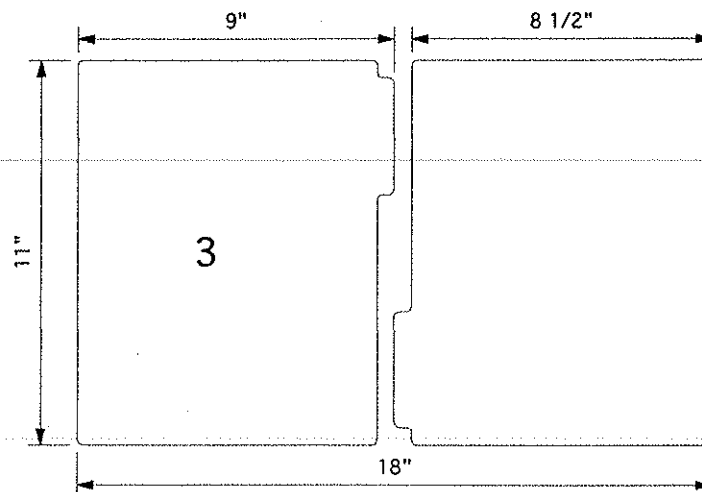
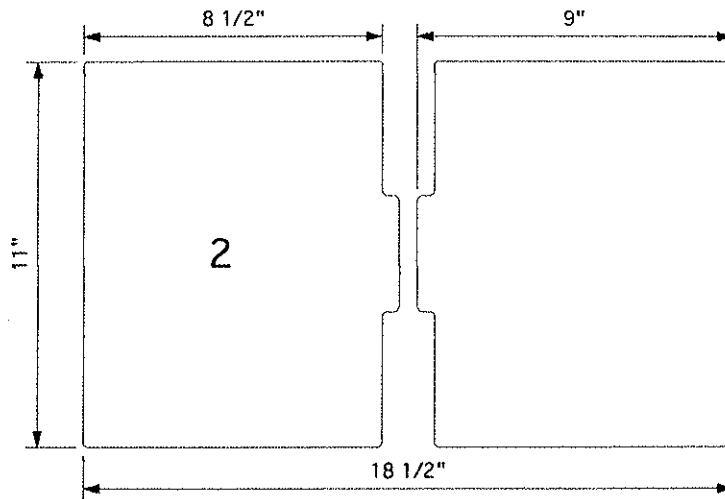
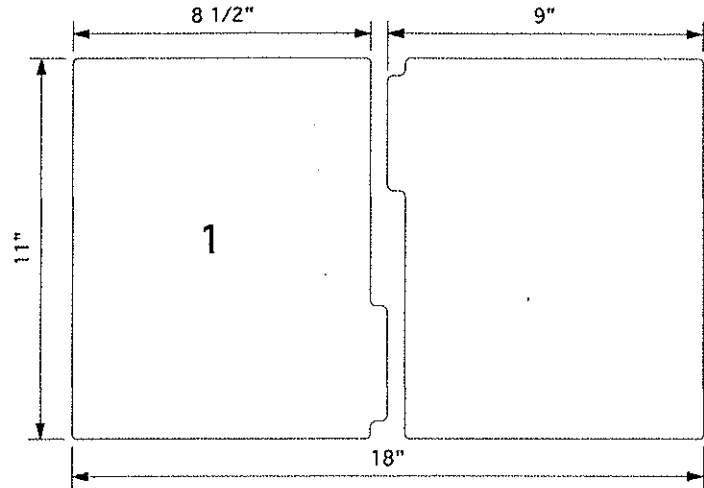
BOARD SPECS		GAUGE PCS.		MATERIAL SPECS		GAUGE PCS.	
DIE CUT				DIE CUT	12 1/2 X 18		1
DIE CUT				DIE CUT			
DIE CUT				DIE CUT			

DIE #	7749-A-BR	CUSTOMER	SALVAJOR COMPANY	RADIUS	
ORDER #	636324	STYLE CASE	POLY TABS	DATE	8-31-04
SHEET SIZE	11 X 9	DUE DATE	9-14-04	COMPLETED	
CAP.		QUANTITY	500		



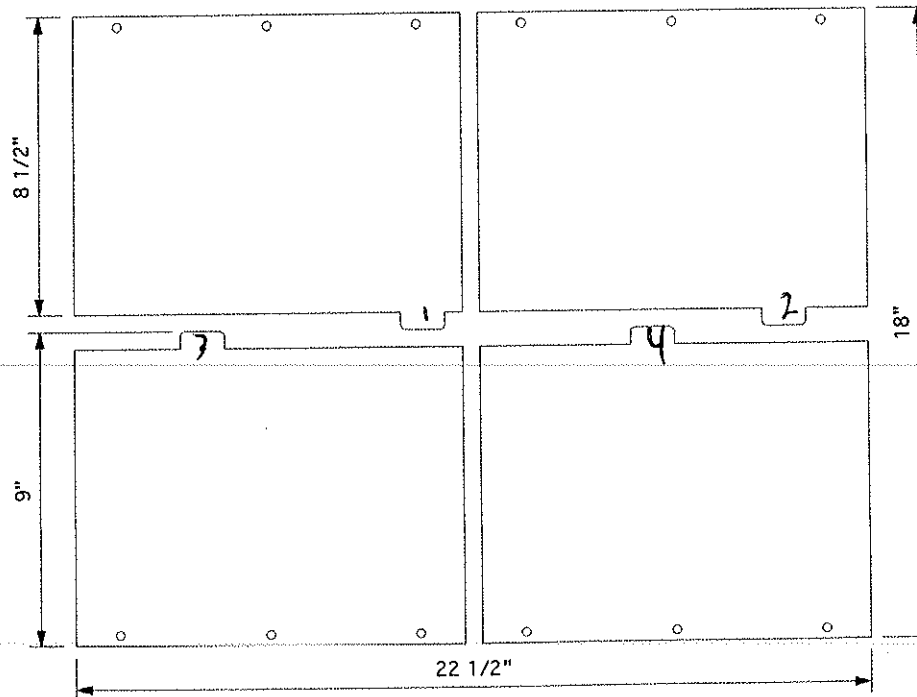
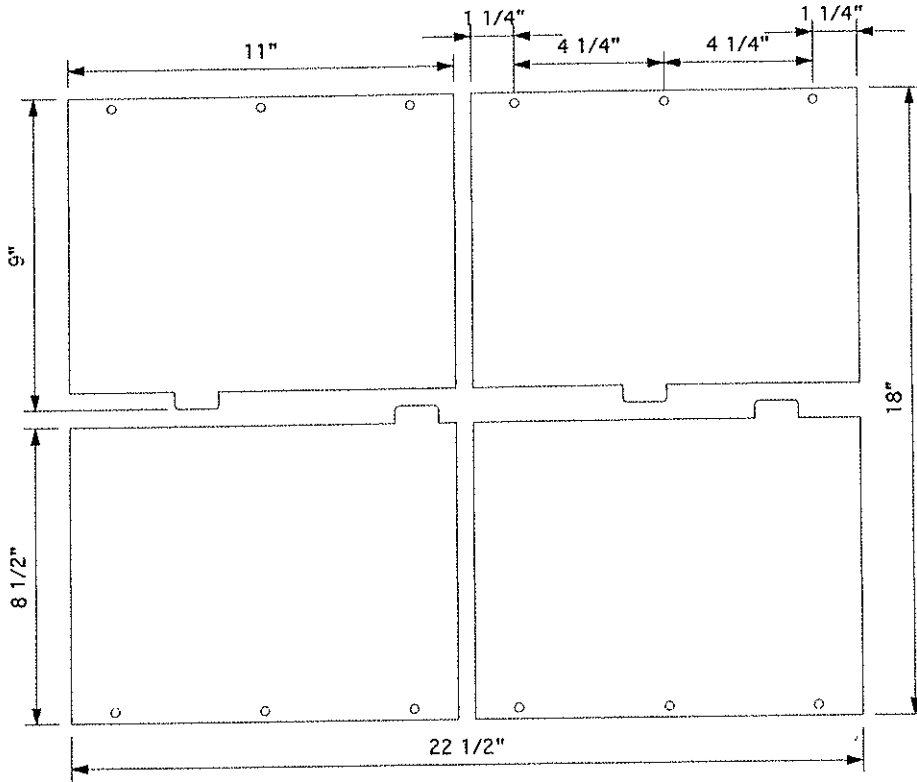
BOARD SPECS	GAUGE	PCS.	MATERIAL SPECS	GAUGE	PCS.
DIE CUT			DIE CUT	11 1/2 X 19	16 1
DIE CUT			DIE CUT		
DIE CUT			DIE CUT		

DIE #	7787-1-2-3	CUSTOMER	INTERFACE	RADIUS	
ORDER #	649791	STYLE CASE	3RD CUT POLY TAB	DATE	11-16-04
SHEET SIZE	11 X 9	DUE DATE	12-2-04	COMPLETED	
CAP.		QUANTITY	2500		



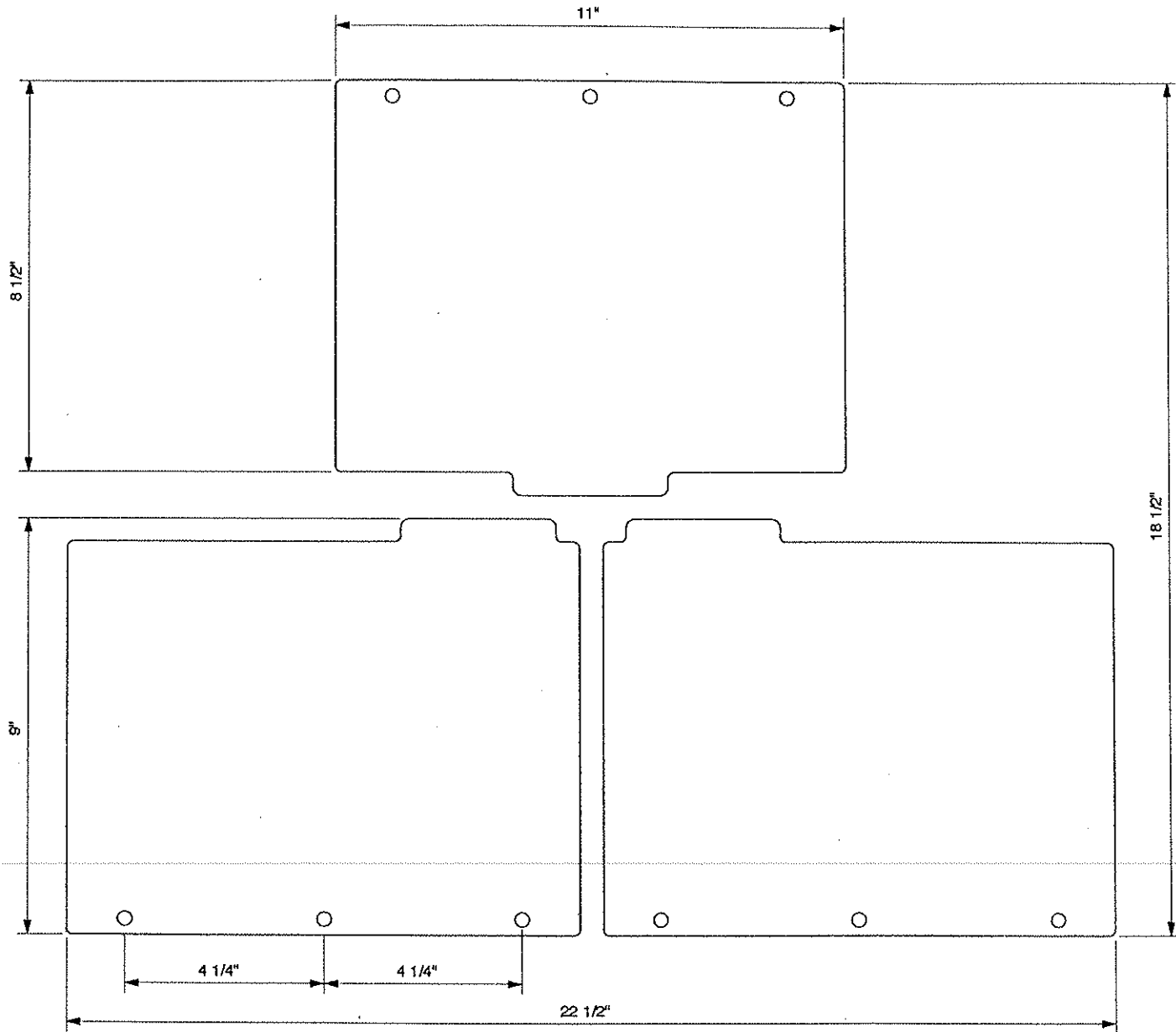
BOARD SPECS		GAUGE		MATERIAL SPECS		GAUGE		PCS.	
DIE CUT				DIE CUT	11 1/2 X 18 1/2	1 & 3	16	2	
DIE CUT				DIE CUT	11 1/2 X 19	2	16	1	
DIE CUT				DIE CUT					

DIE # <i>P</i>	7809-A-B (R)	CUSTOMER	DIGITAL IMPRESSIONS	RADIUS	1/8"
ORDER #	653571	STYLE CASE	8TH CUT POLY TABS	DATE	12-14-04
SHEET SIZE	11 X 9	DUE DATE	12-20-04	COMPLETED	
CAP.		QUANTITY	500		



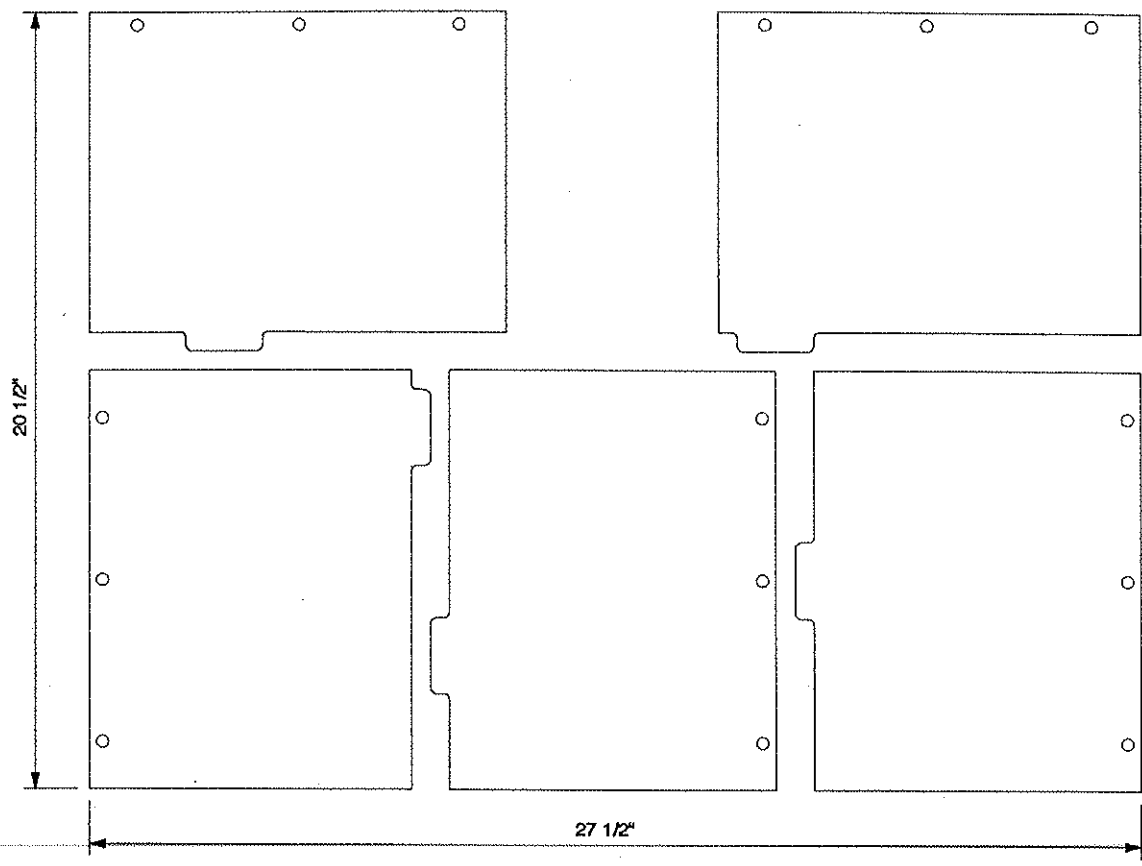
BOARD SPECS	GAUGE	PCS.	MATERIAL SPECS	GAUGE	PCS.
DIE CUT			DIE CUT 18 1/2 X 23	A	15 1
DIE CUT			DIE CUT 18 1/2 X 23	B	15 1
DIE CUT			DIE CUT		

DIE #	7893	CUSTOMER	WALKER & ASSOC.	RADIUS	
ORDER #	677142	STYLE CASE	3RD CUT POLY TAB	DATE	5-16-05
SHEET SIZE	11 X 9	DUE DATE	5-26-05	COMPLETED	
CAP.		QUANTITY	2500		



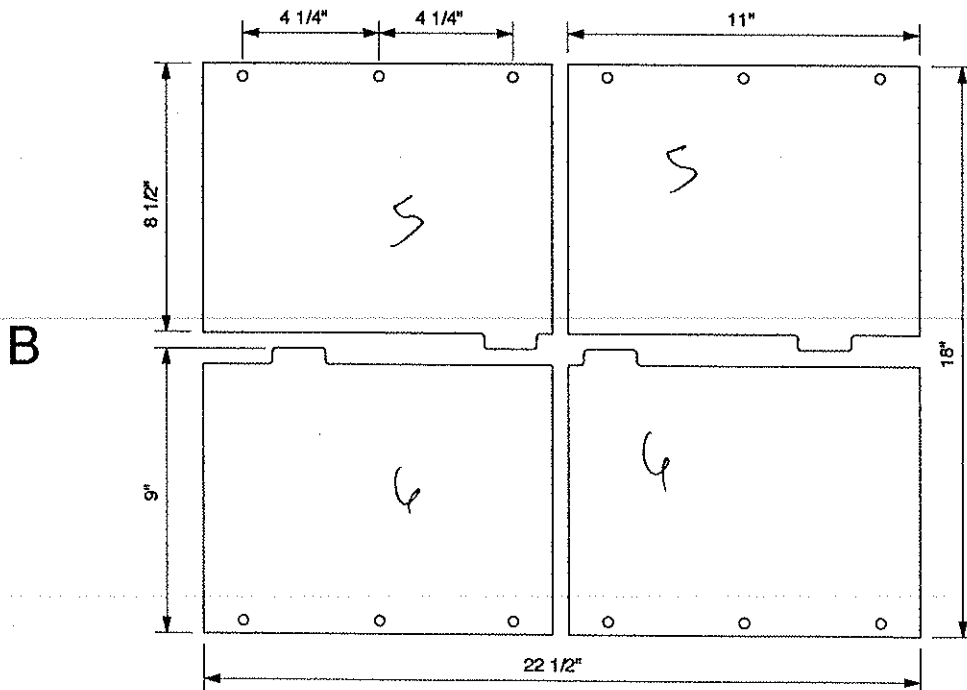
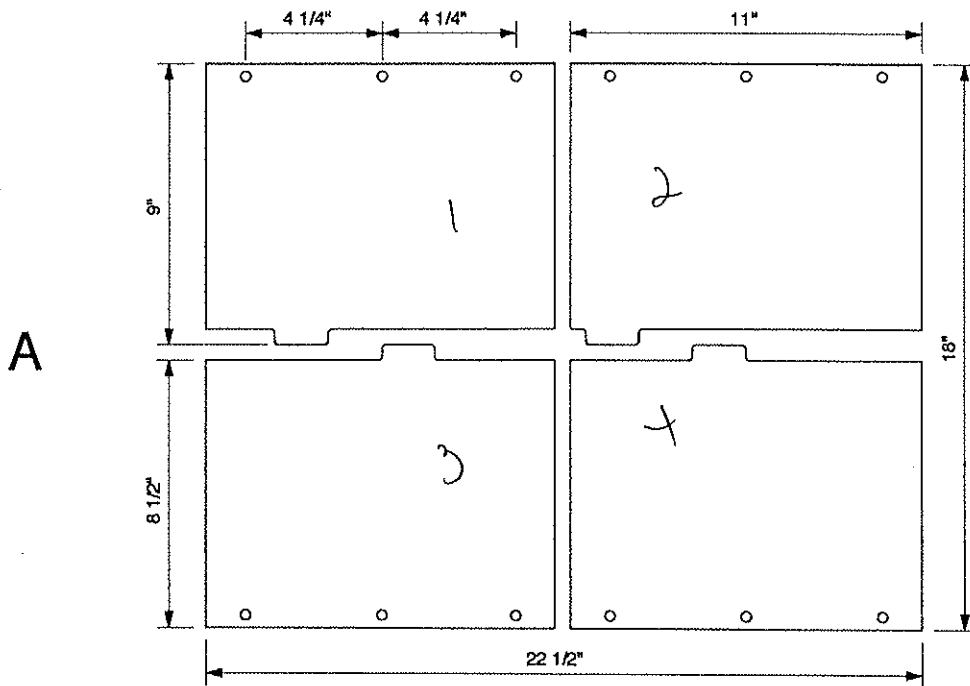
BOARD SPECS		GAUGE PCS.		MATERIAL SPECS		GAUGE PCS.	
DIE CUT				DIE CUT	19 X 23	23	1
DIE CUT				DIE CUT			
DIE CUT				DIE CUT			

DIE # ρ	8040	CUSTOMER	DYNAPACK CORP.	RADIUS	
ORDER #	710133	STYLE CASE	5 TAB DIECUT	DATE	12-10-05
SHEET SIZE	11 X 9	DUE DATE	12-27-05	COMPLETED	
CAP.		QUANTITY	50,000		



BOARD SPECS		GAUGE		MATERIAL SPECS		GAUGE		PCS.	
DIE CUT				DIE CUT	21 X 28	16ga		1	
DIE CUT				DIE CUT					
DIE CUT				DIE CUT					

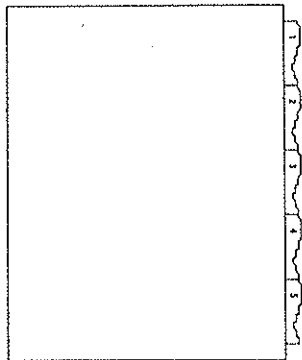
DIE # <i>P</i>	8041 <i>AB</i>	CUSTOMER	ARCHER MALMO ADV.	RADIUS	1/8"
ORDER #	709685	STYLE CASE	6TH CUT POLY TABS	DATE	12-12-05
SHEET SIZE	11 X 9	DUE DATE	1-3-06	COMPLETED	
CAP.		QUANTITY	1550		



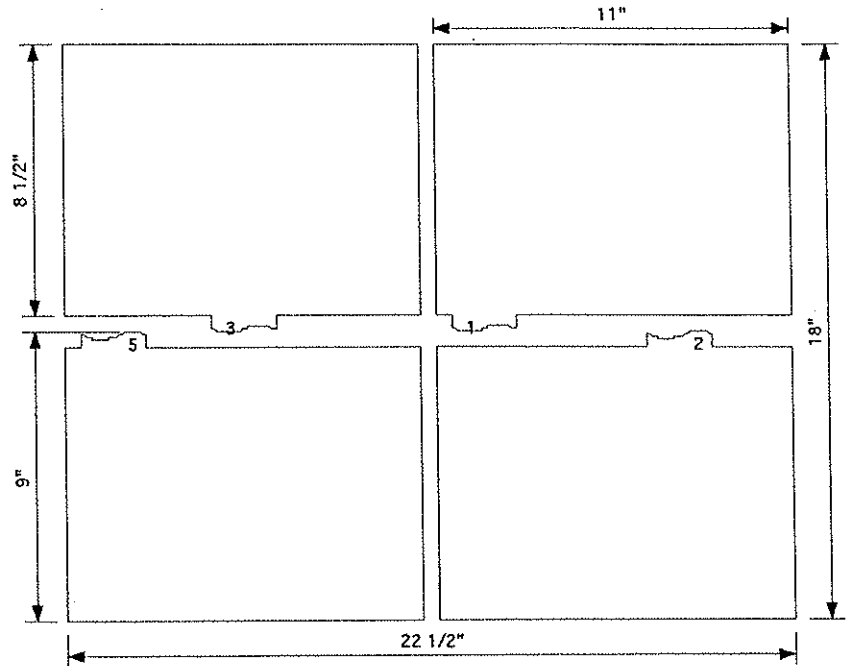
BOARD SPECS		GAUGE PCS.		MATERIAL SPECS		GAUGE PCS.	
DIE CUT				DIE CUT	18 1/2 X 23		2
DIE CUT				DIE CUT			
DIE CUT				DIE CUT			

DIE #	8073-A-B	CUSTOMER	BRITE AGENCY	RADIUS	
ORDER #	717360	STYLE CASE	5TH CUT POLY TAB	DATE	2-20-06
SHEET SIZE	11 X 9	DUE DATE	2-24-06	COMPLETED	
CAP.		QUANTITY	5000		

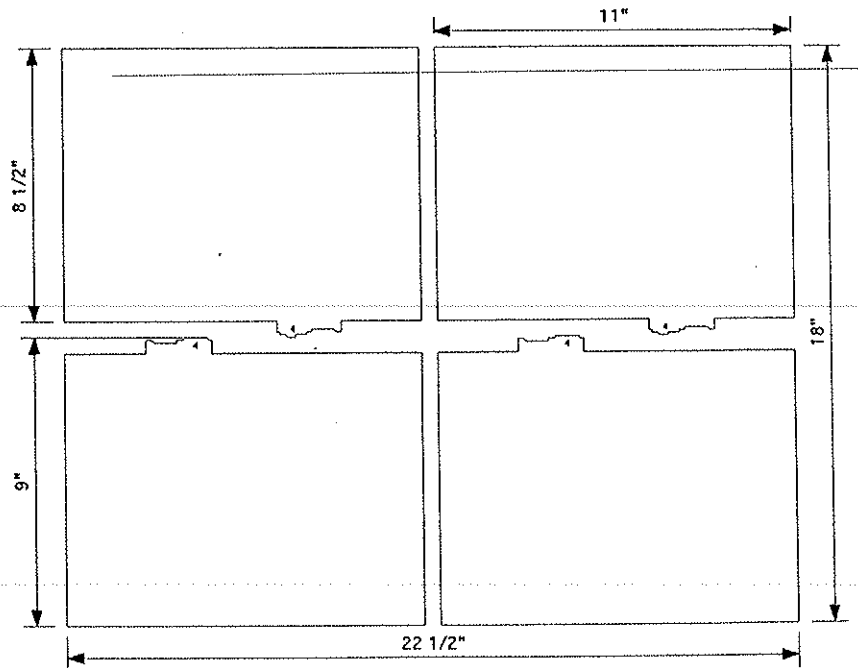
*** WARNING DRAWING NOT ACTUAL SIZE ***



A



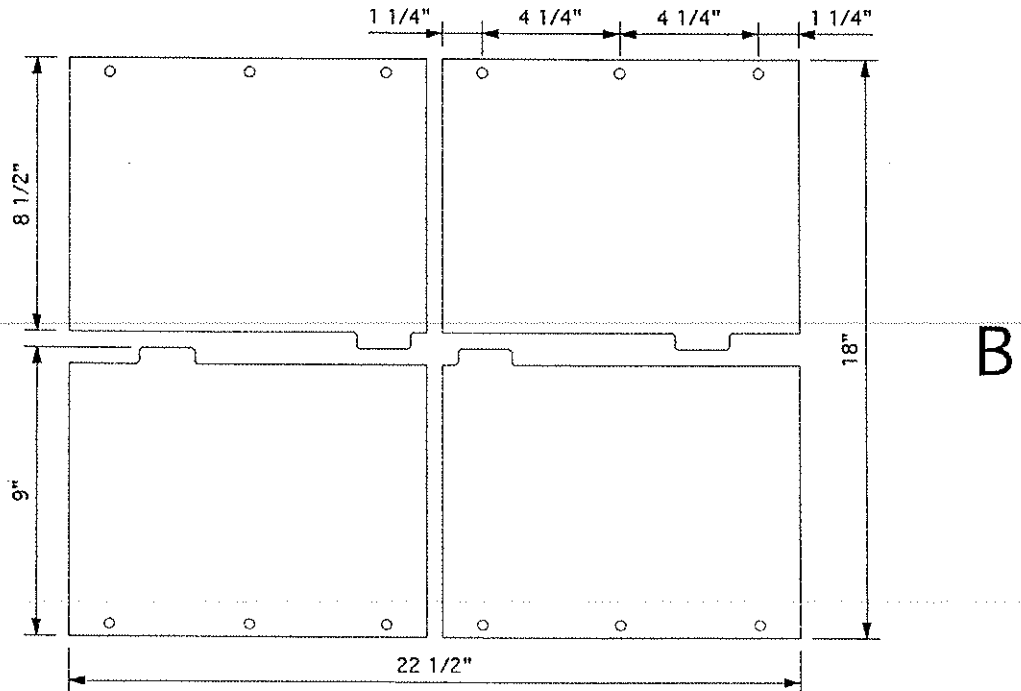
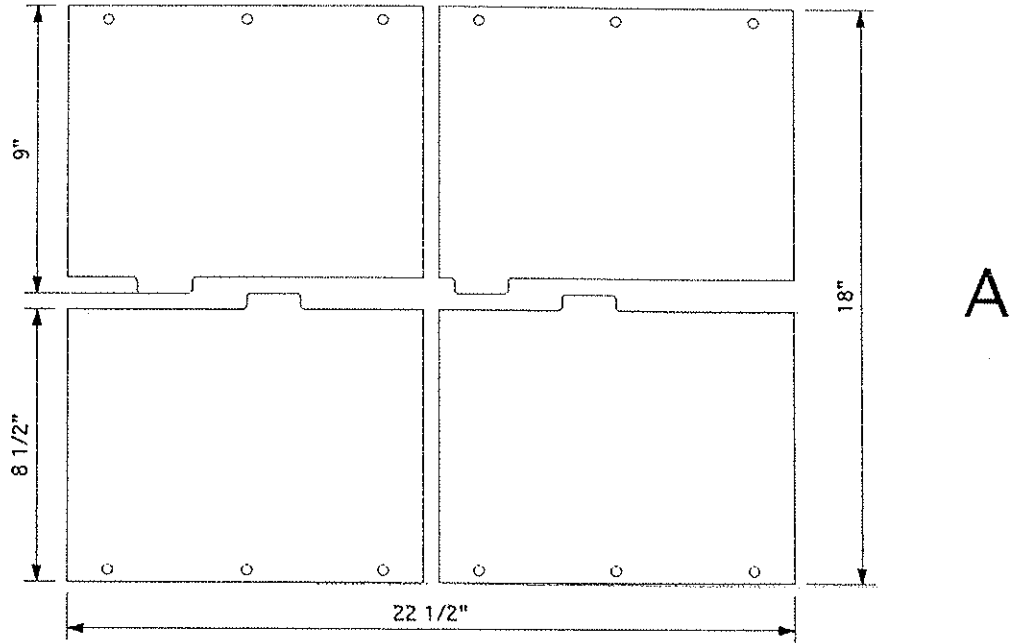
B



BOARD SPECS		GAUGE PCS.		MATERIAL SPECS		GAUGE P	
DIE CUT				DIE CUT	18 1/2 X 23	A	19
DIE CUT				DIE CUT	18 1/2 X 23	40UT B	19
DIE CUT				DIE CUT			

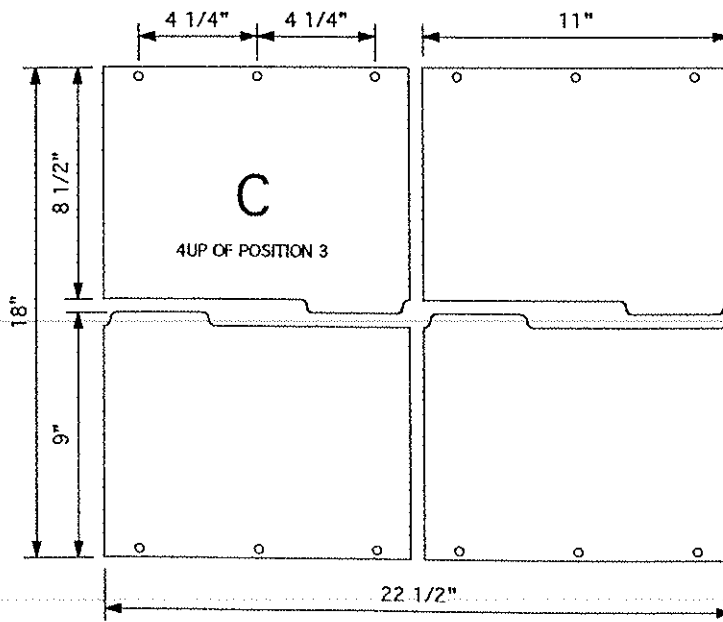
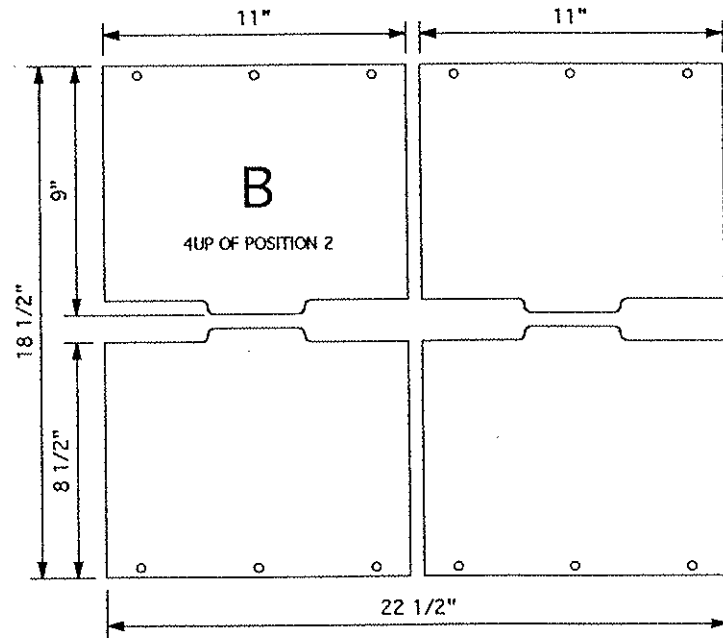
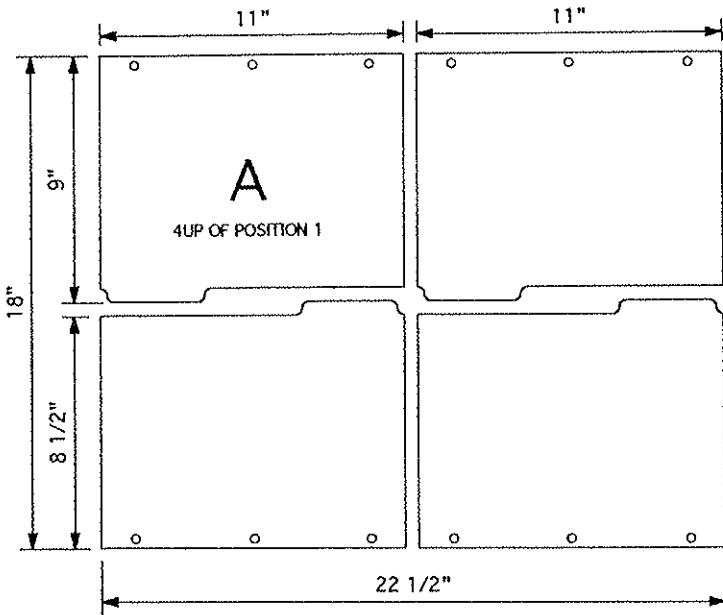
DIE # <i>P</i>	8099-A-B	CUSTOMER	EPROJECT	RADIUS	1/8"
ORDER #	725984	STYLE CASE	6TH CUT POLY TAB	DATE	3-27-06
SHEET SIZE	11 X 9	DUE DATE	3-30-06	COMPLETED	
CAP.		QUANTITY	1		

*** WARNING DRAWING NOT ACTUAL SIZE ***



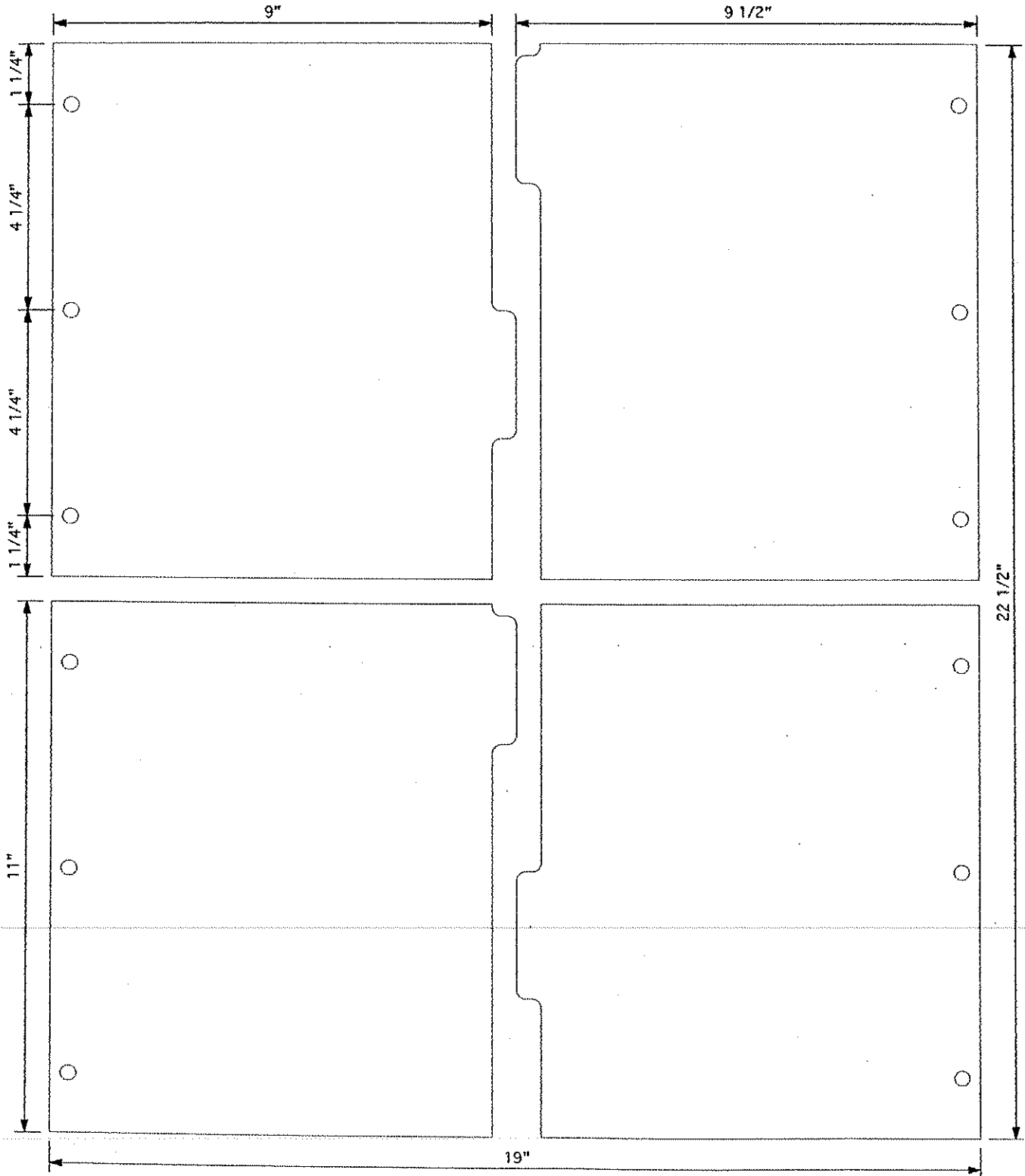
BOARD SPECS		GAUGE PCS.		MATERIAL SPECS		GAUGE PCS.	
DIE CUT				DIE CUT	18 1/2 X 23	15	2
DIE CUT				DIE CUT			
DIE CUT				DIE CUT			

DIE # <i>P</i>	8395-A-B-C	CUSTOMER	CORPORATE IMAGE	RADIUS	
ORDER #	809011	STYLE CASE	3RD CUT POLY TAB	DATE	9-25-07
SHEET SIZE	11 X 9	DUE DATE	10-18-07	COMPLETED	
CAP.		QUANTITY	6000		



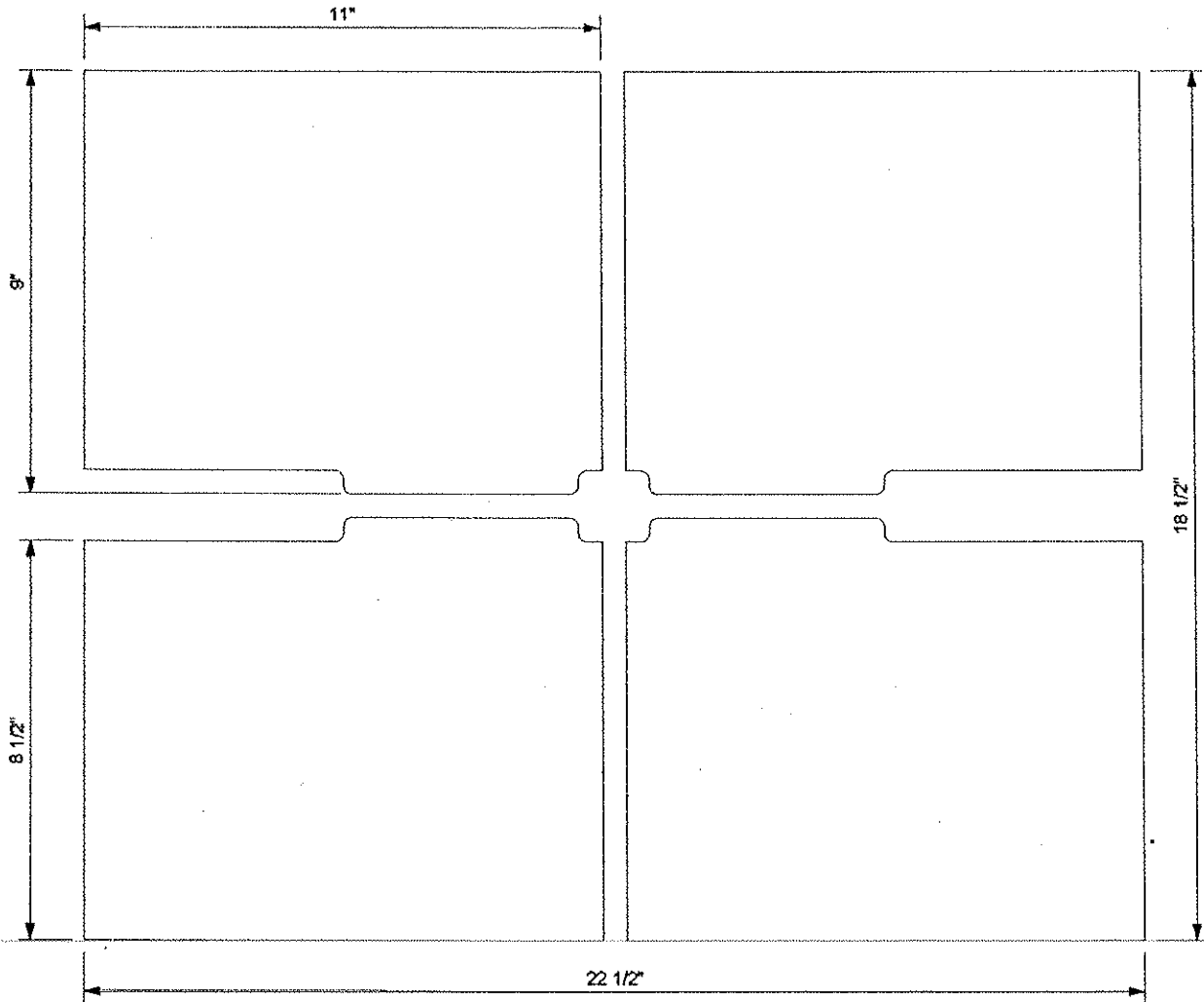
BOARD SPECS		GAUGE		MATERIAL SPECS		GAUGE		PCS.	
DIE CUT				DIE CUT	18 1/2 X 23	A + C	15	1	
DIE CUT				DIE CUT	19 X 23	B	15	1	
DIE CUT				DIE CUT					

DIE # <i>P</i>	8487	CUSTOMER	GFK MARKET MEASURES	RADIUS	
ORDER #	832771	STYLE CASE	4TH CUT POL TAB	DATE	3-6-08
SHEET SIZE	11 x 9 1/2	DUE DATE	3-10-08	COMPLETED	
CAP.		QUANTITY			



BOARD SPECS		GAUGE PCS.		MATERIAL SPECS		GAUGE PCS.	
DIE CUT				DIE CUT	23 X 19 1/2	23	1
DIE CUT				DIE CUT			
DIE CUT				DIE CUT			

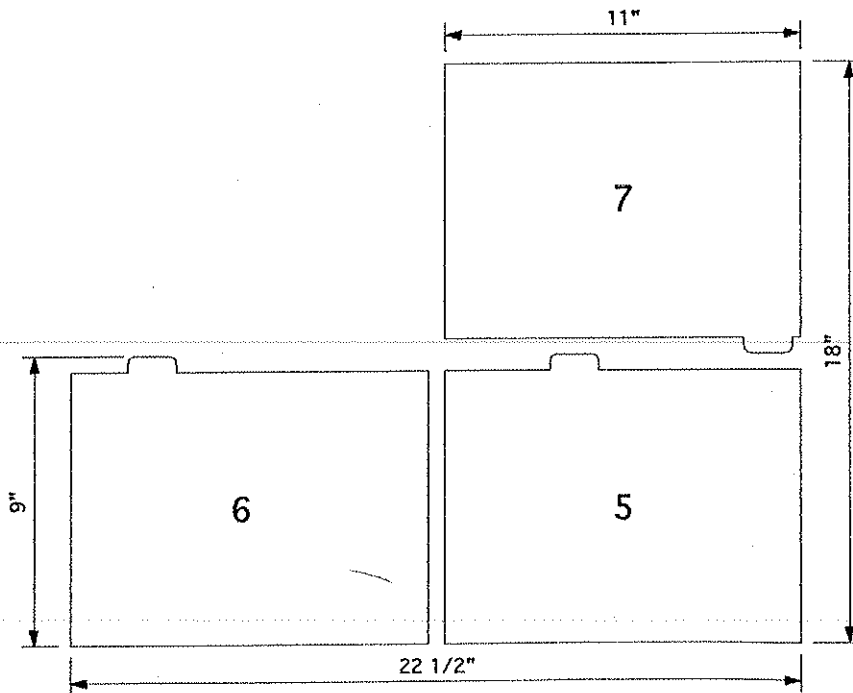
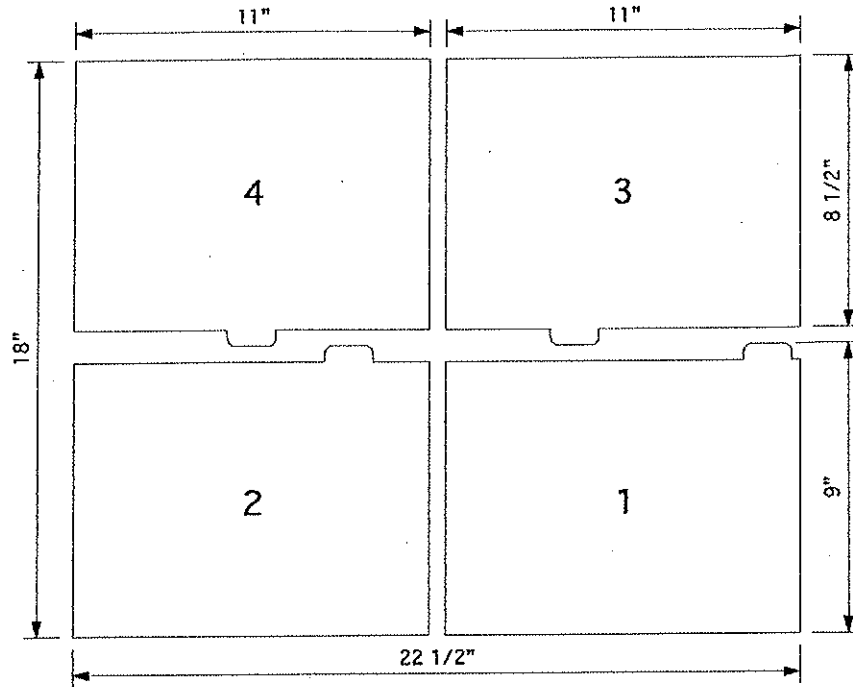
DIE # <i>P</i>	8567	CUSTOMER	VARIABLE GRAPHICS	RADIUS	
ORDER #	857961	STYLE CASE	POLY 2ND CUT TAB	DATE	8-19-08
SHEET SIZE	11 X 9	DUE DATE	8-27-08	COMPLETED	
CAP.		QUANTITY	500		



BOARD SPECS		GAUGE		PCS.		MATERIAL SPECS		GAUGE		PCS.	
DIE CUT						DIE CUT	19 X 23	15	1		
DIE CUT						DIE CUT					
DIE CUT						DIE CUT					

DIE # <i>P</i>	8694	CUSTOMER	JK DESIGN	RADIUS	1/4"
ORDER #	893291	STYLE CASE	7TH CUT POLY TABS	DATE	5-7-09
SHEET SIZE	11 X 9	DUE DATE	5-14-09	COMPLETED	
CAP.		QUANTITY	1050		

*** WARNING DRAWING NOT ACTUAL SIZE ***



BOARD SPECS		GAUGE PCS.		MATERIAL SPECS		GAUGE PCS.	
DIE CUT				DIE CUT	18 1/2 X 23	16	2
DIE CUT				DIE CUT			
DIE CUT				DIE CUT			