



255 LOGAN ROAD
P.O. BOX 2170
FERNLEY, NEVADA 89408

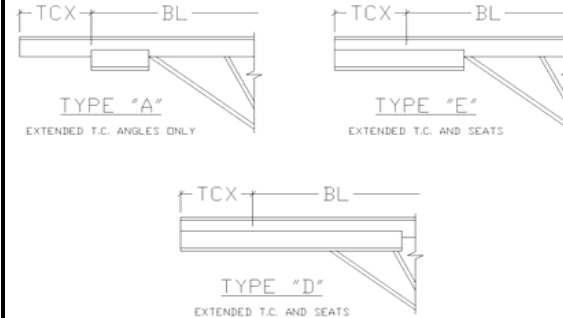
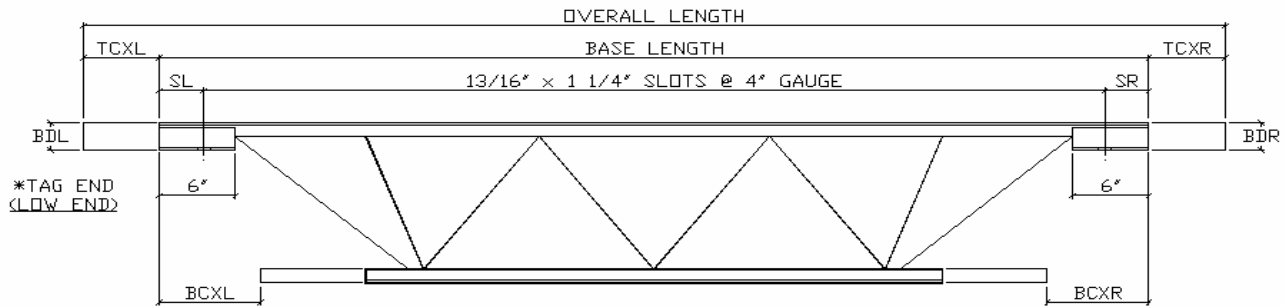
PHONE (775) 575-7337
FAX (775) 575-3626



ICBO REPORT #FA-363



a subsidiary of



- ROOF JOISTS		- FLOOR JOISTS		LONG SPAN BILLS OF MATERIAL LIST													DIMENSIONS SHALL BE GIVEN IN THE SLOPE PLANE SLOPE SHALL BE GIVEN IN INCHES PER FOOT				JOIST COUNT= 0		
DETAILING			MARK	QTY.	JOIST TYPE	BASE LENGTH	TCXL	TYPE	TRF MECH.	TCXR	TYPE	TRF MECH.	O.A.L	BDL	BDR	BCXL	BCXR	SL	SR	NOTES:		SLOPE: IN/FT	
±	C/C	±																		LOAD	SPECIAL		

WOOD NAILERS		DESIGN CODE		NET UPLIFT IN PLF: <u>0</u>				PAINT: <u>-</u>		SEQUENCE: <u>-</u>		TAG COLOR: <u>-</u>		DATE DETAILED: <u>01/00/00</u>			
YES	<u>-</u>	NO	<u>-</u>	<u>0</u>	JOIST SPACING: <u>-</u>								DATE CHECKED: <u>01/00/00</u>				
				<u>0</u>	MINIMUM SEAT THICKNESS (FOR WELDS); <u>0</u>				PROJECT: <u>-</u>				DETAILER: <u>-</u>		SHEET: <u>OF 0</u>		
WOOD TYPE				<u>0</u>	AXIAL FORCES DUE TO: WIND <u>-</u> SEISMIC <u>-</u> LL <u>-</u>				CUSTOMER: <u>-</u>				CHECKER: <u>-</u>		JOB NUMBER: <u>-</u>		
SCREW C/C				UNO	AXIAL FORCES PASS THRU TRANSFER MECHANISM U.N.O.												
NOTE: #14 TEK SCREWS U.N.O.																	

