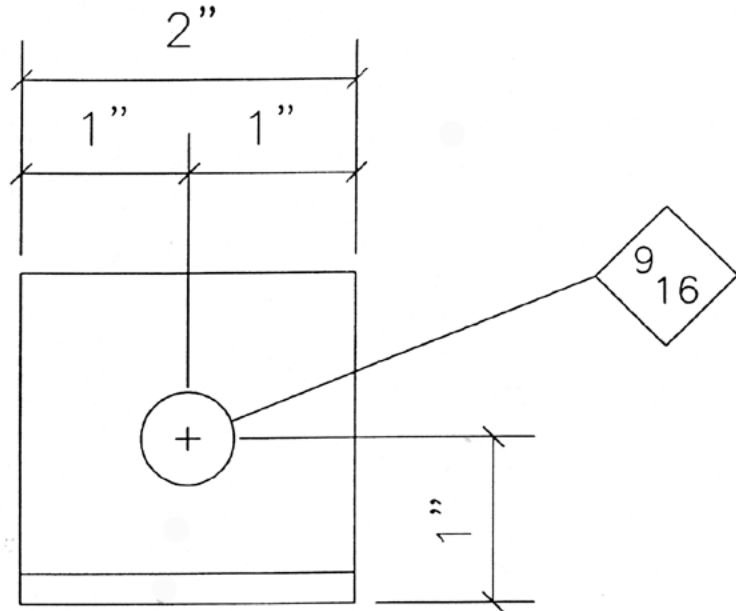


JOB NO. _____

JOB NAME _____



_____ < 2" X 2" X .188" X 0'-2" MK. _____
PAINT _____

BRIDGING ANCHOR

SHEET NO. _____ OF _____