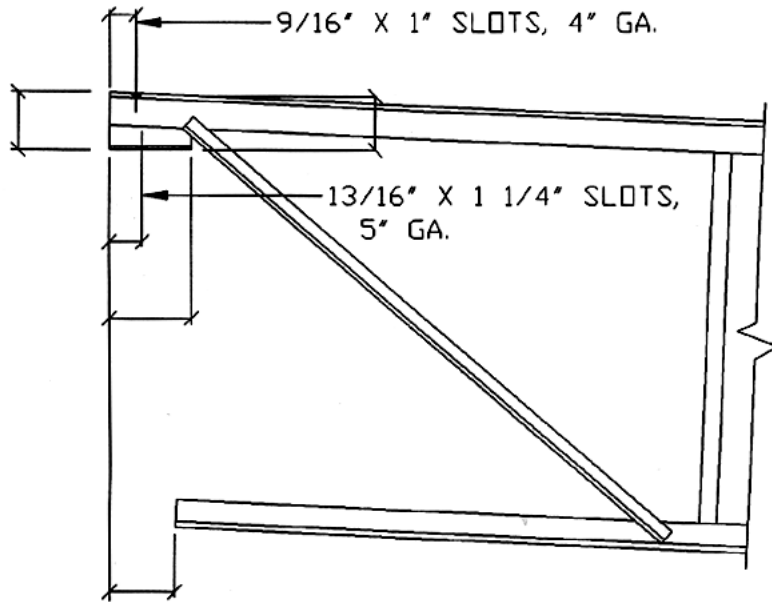
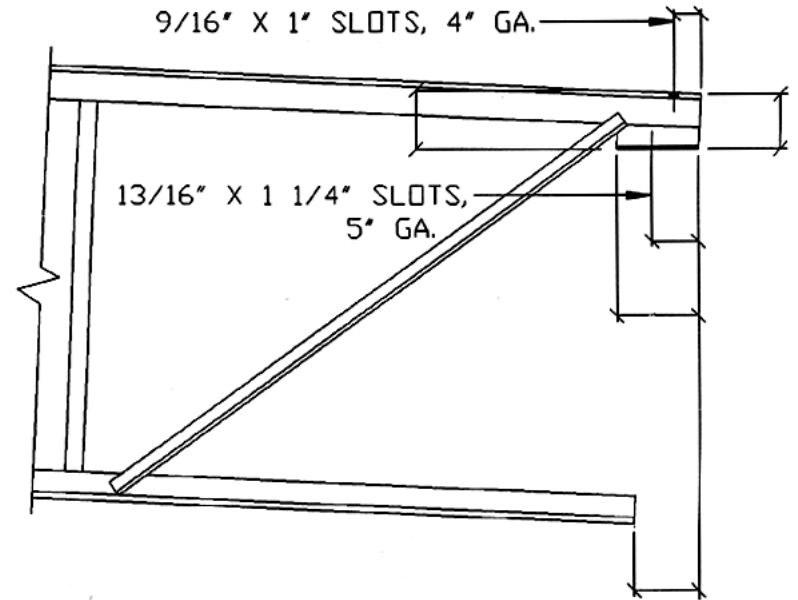


JOIST GIRDER SLOPED END DETAILS

HOLES ARE STANDARD AS SHOWN UNLESS OTHERWISE NOTED
BEARING SEAT ANGLES - 2 L 7" X 4" X 1/2"



DETAIL —



DETAIL —