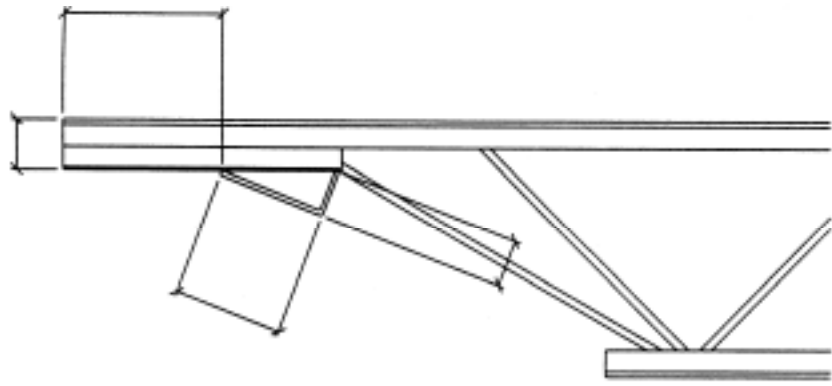
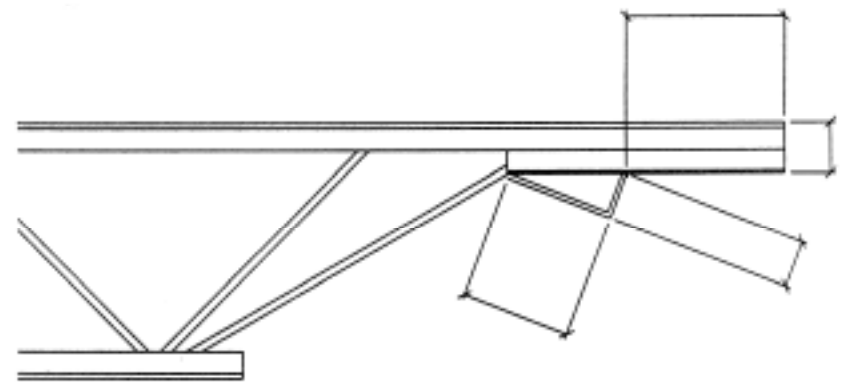


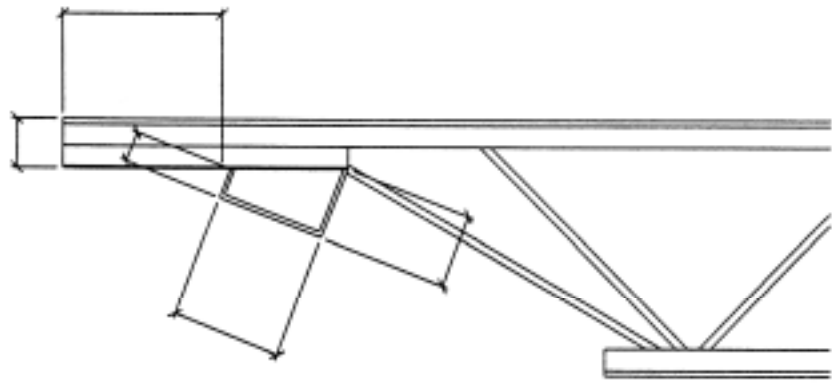
# TYPE E EXTENSION SLOPE SEAT DETAILS



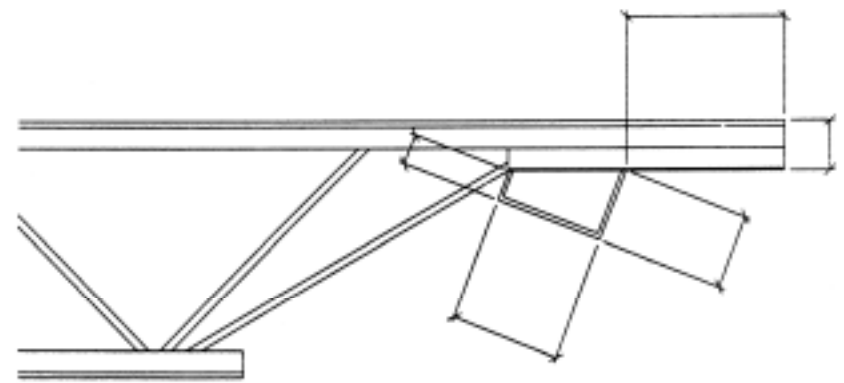
DETAIL - \_\_\_\_\_



DETAIL - \_\_\_\_\_



DETAIL - \_\_\_\_\_



DETAIL - \_\_\_\_\_