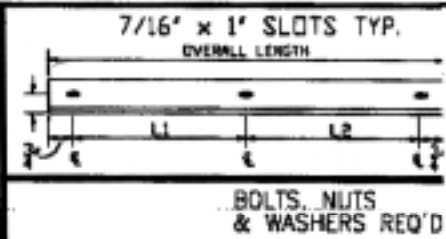
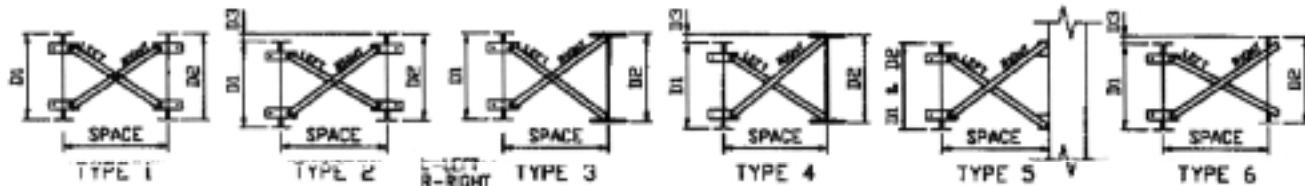


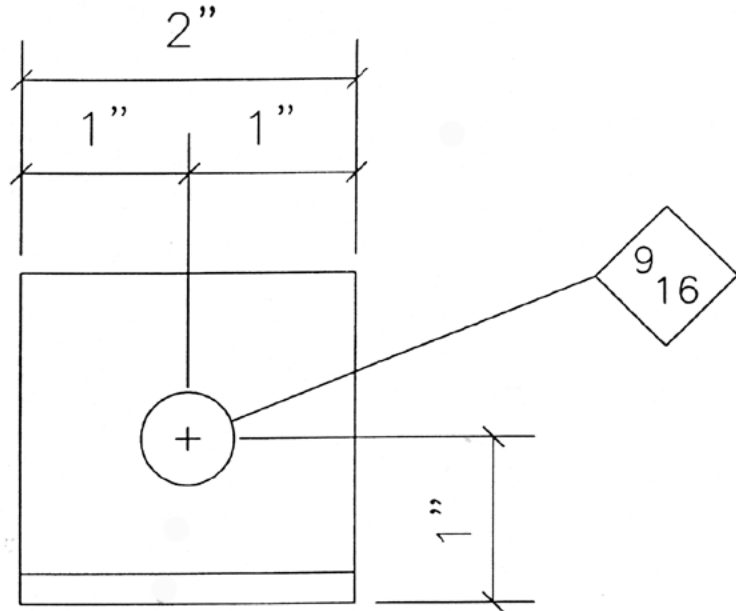
"X" BOLTED BRIDGING LIST NOTE: FOR D3 USE "+" WHEN D2 IS HIGHER THAN D1 & USE "-" WHEN D2 IS LOWER THAN D1



QTY	BRID'G MARK	ANGLE SIZE	TYPE	SPACE	L R	MARK	MEMBER SIZE	D1	D2	D3	L1	L2	OVERALL LENGTH
						FROM							
						TO				4x4"			4x4"
						FROM							
						TO				4x4"			4x4"
						FROM							
						TO				4x4"			4x4"
						FROM							
						TO				4x4"			4x4"
						FROM							
						TO				4x4"			4x4"
						FROM							
						TO				4x4"			4x4"
						FROM							
						TO				4x4"			4x4"
						FROM							
						TO				4x4"			4x4"

JOB NO. _____

JOB NAME _____



_____ < 2" X 2" X .188" X 0'-2" MK. _____
PAINT _____

BRIDGING ANCHOR

SHEET NO. _____ OF _____

(OVERALL LENGTH)

TAG
END

(MARK #)

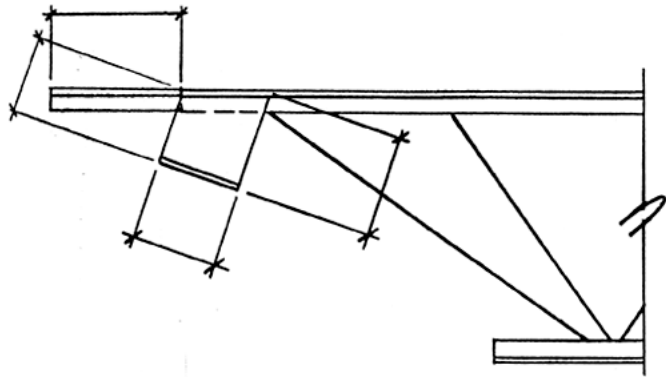
OVERALL LENGTH)

BRIDGING CLIP LOCATION
BRIDGING CLIP TYPE _____

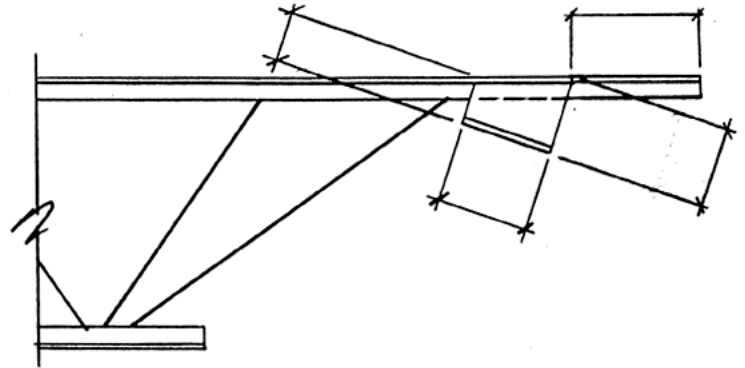


P.O. BOX 660716
FORT PAYNE, ALABAMA 35966
PHONE 256/845-2330

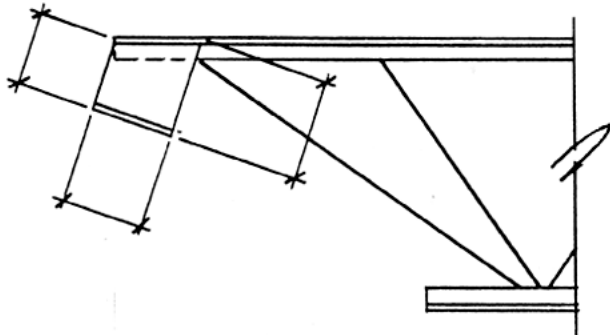
JOB NUMBER _____
SHEET _____ OF _____



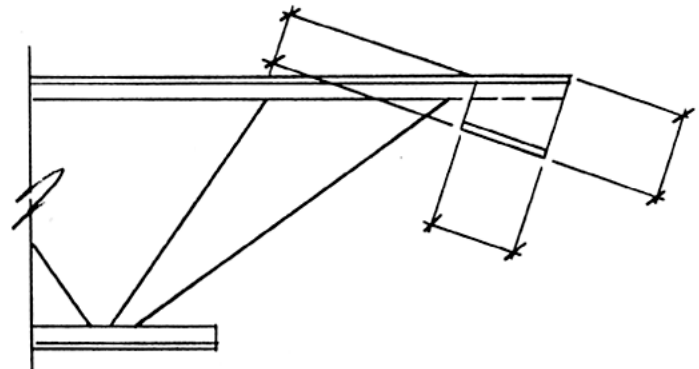
DETAIL -



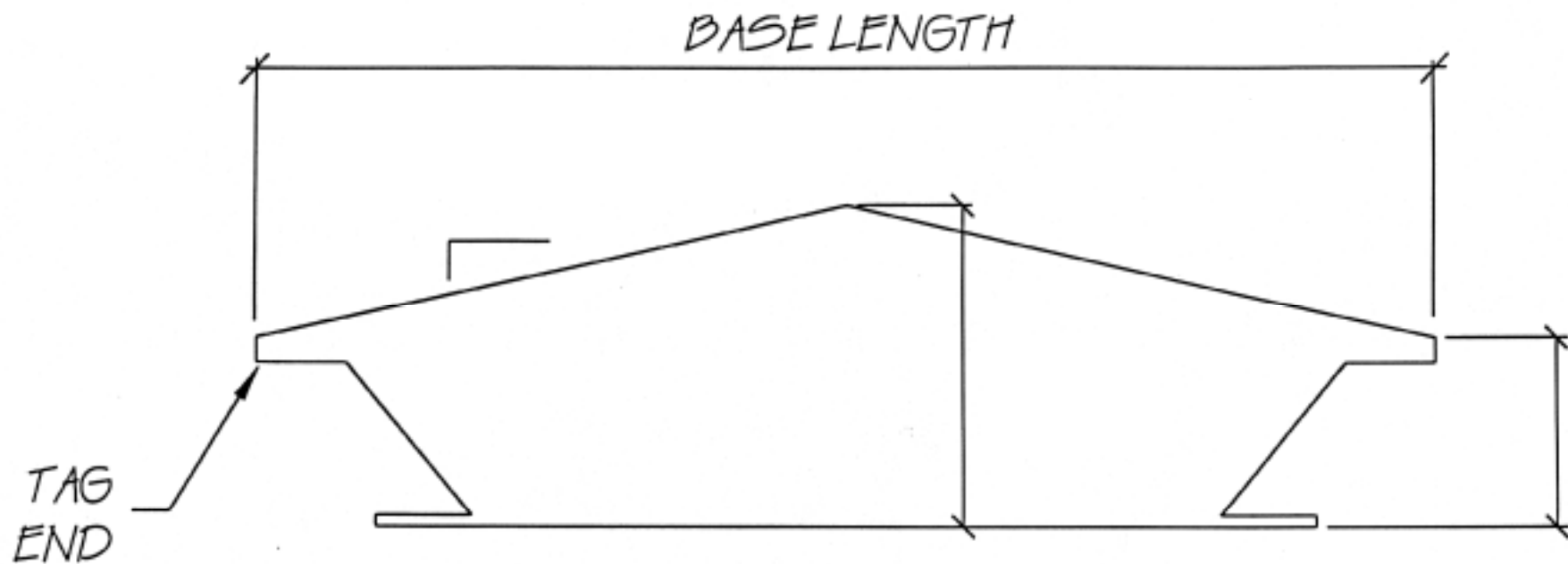
DETAIL -



DETAIL -

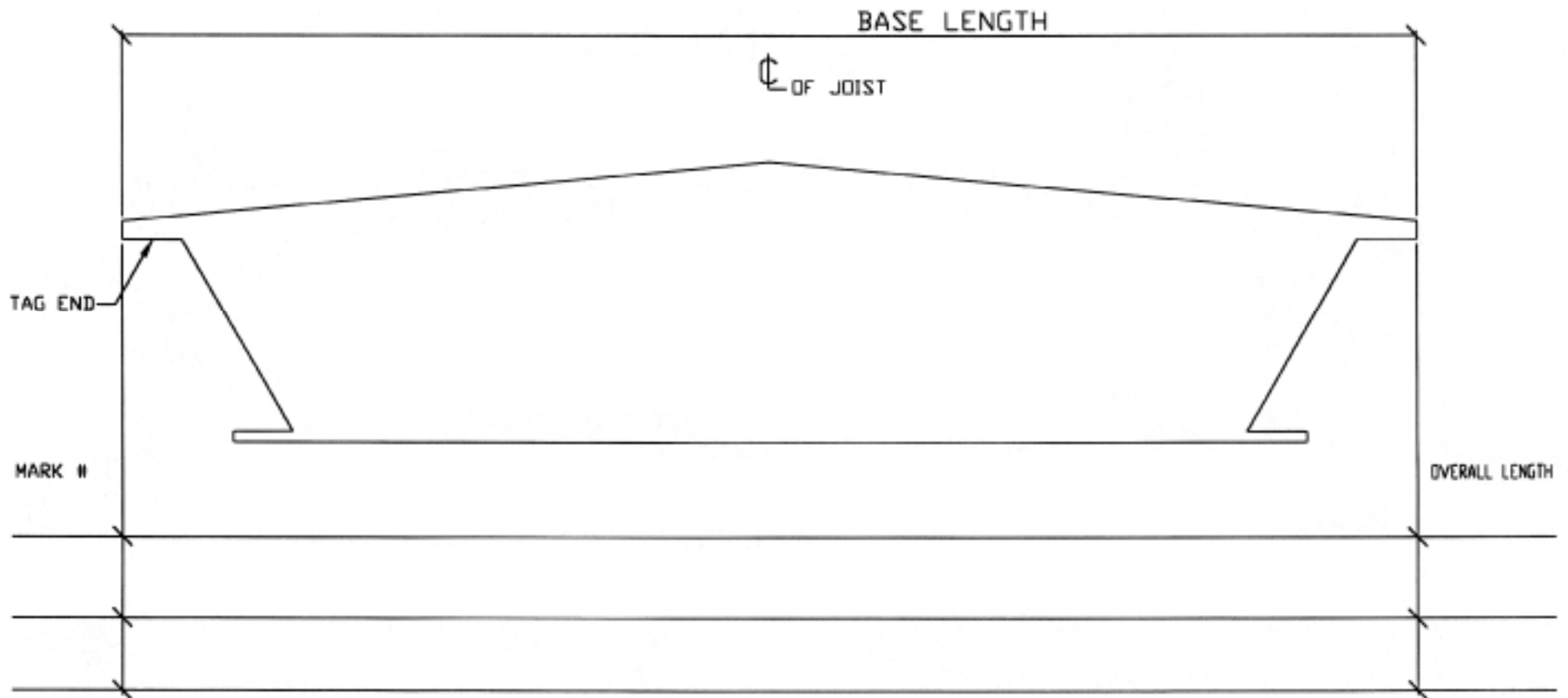


DETAIL -

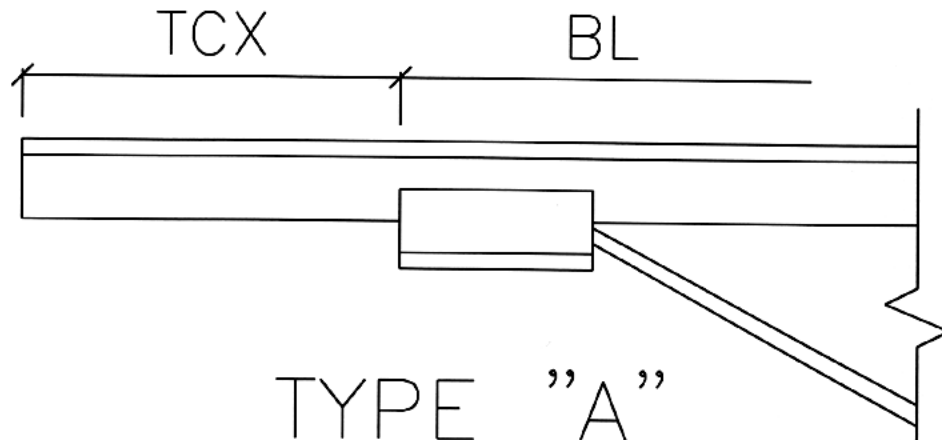


MARK NO. _____

JOB NUMBER _____
SHEET _____ OF _____

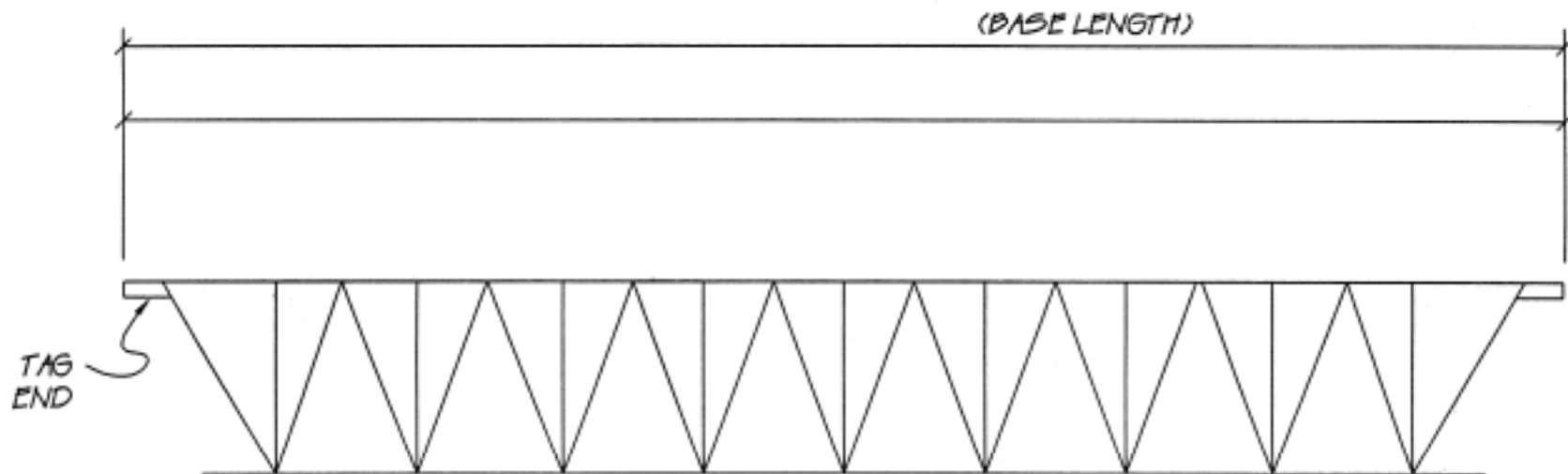


DOUBLE PITCHED TOP CHORD
BRIDGING CLIP LOCATION



TYPE "A"

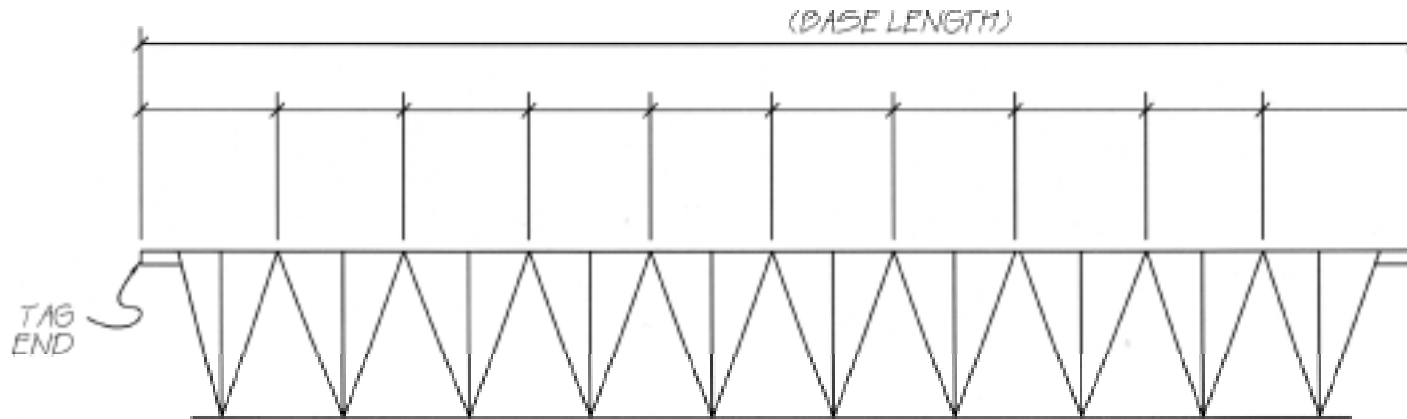
EXTEND TOP CHORD ANGLES ONLY



GIRDER LOAD DIAGRAM

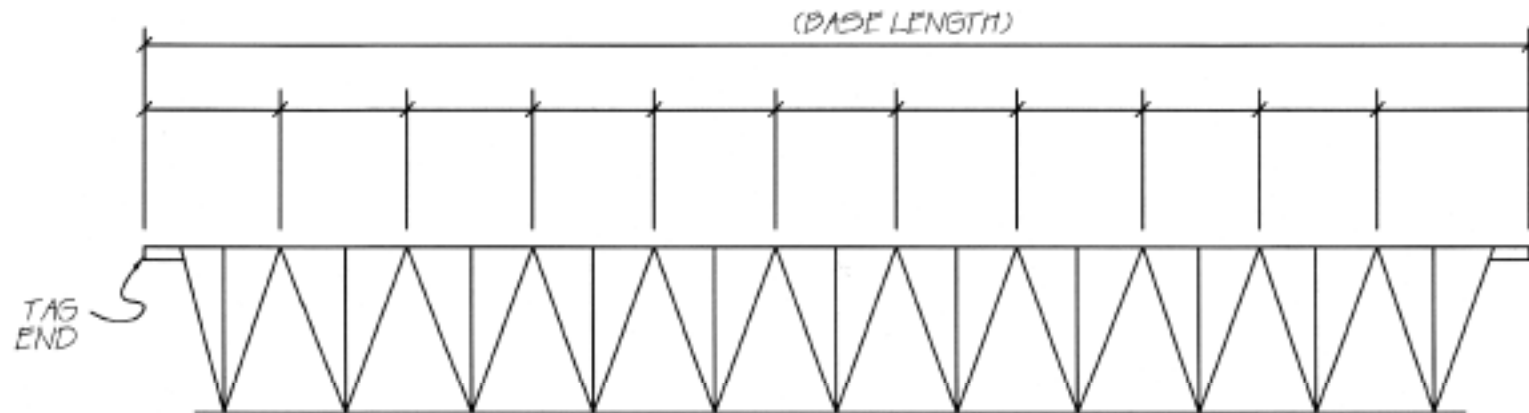
MK.-

ION



GIRDER LOAD DIAGRAM

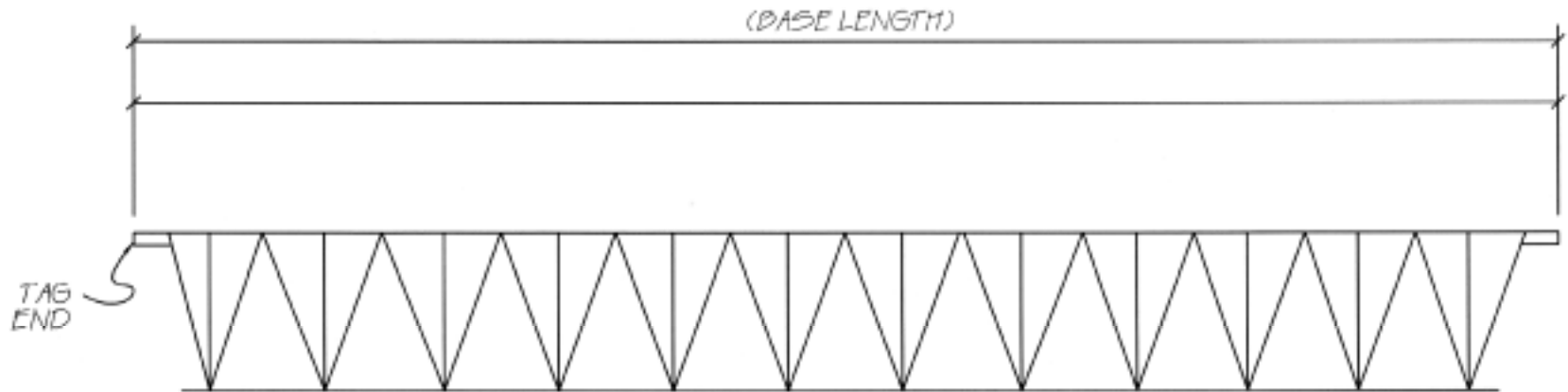
MK.-



GIRDER LOAD DIAGRAM

MK.-

12N



GIRDER LOAD DIAGRAM

MK.-

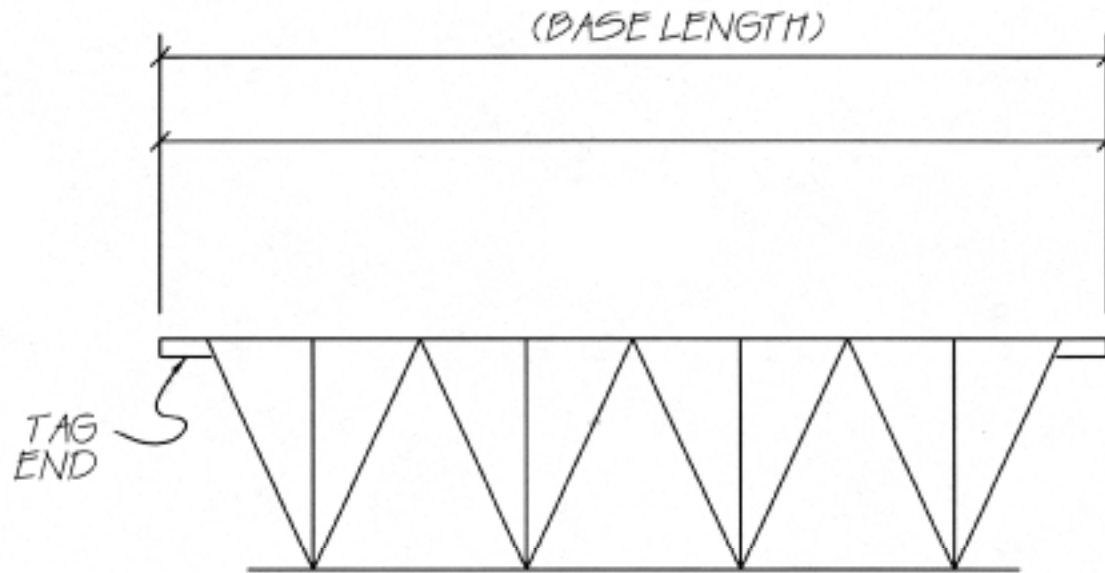
13N

(BASE LENGTH)

TAG
END

GIRDER LOAD DIAGRAM

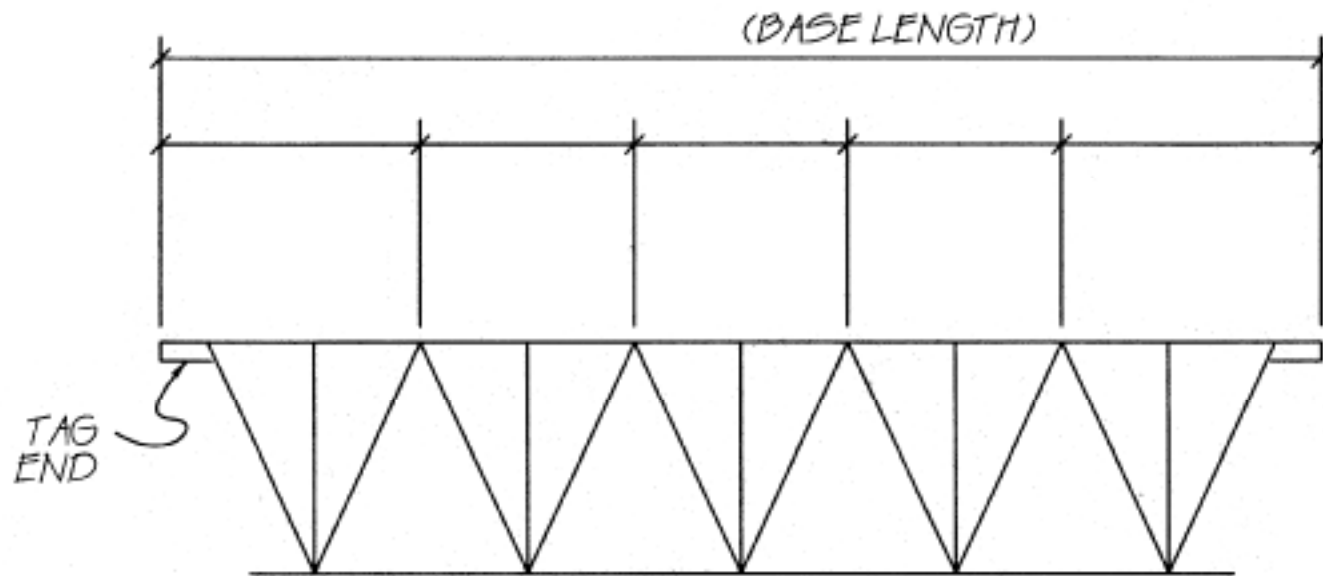
MK.-



GIRDER LOAD DIAGRAM

MARK No.

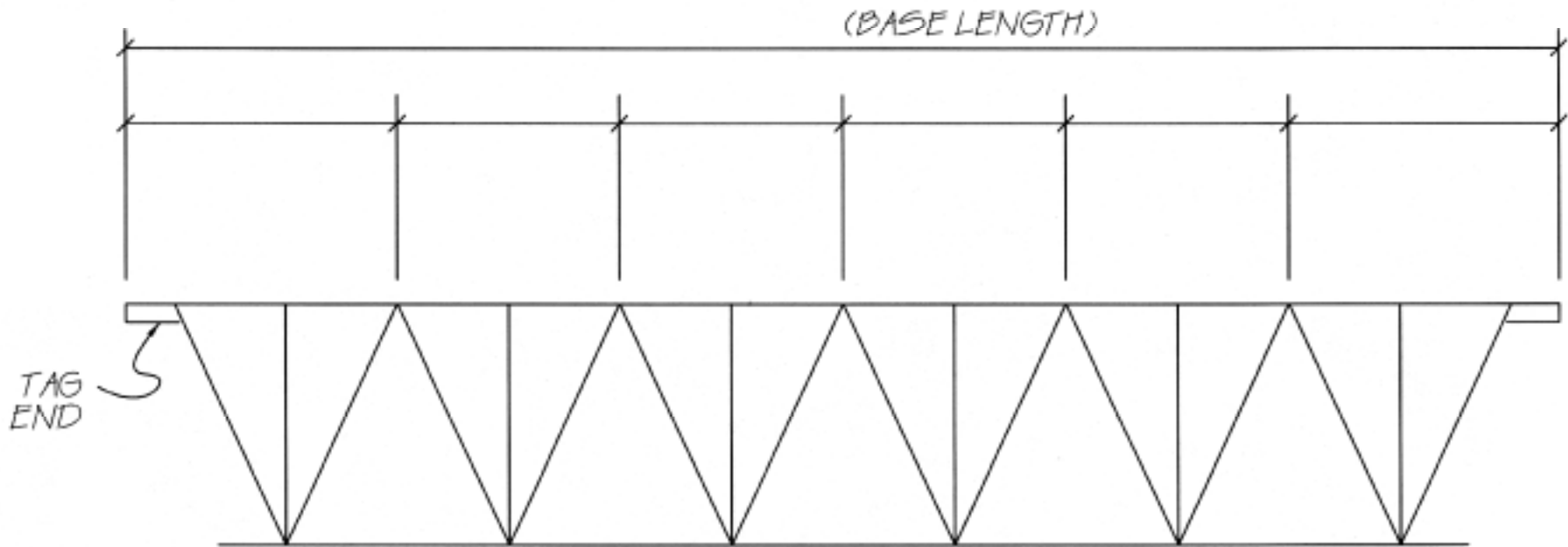
5N



GIRDER LOAD DIAGRAM

MARK No.

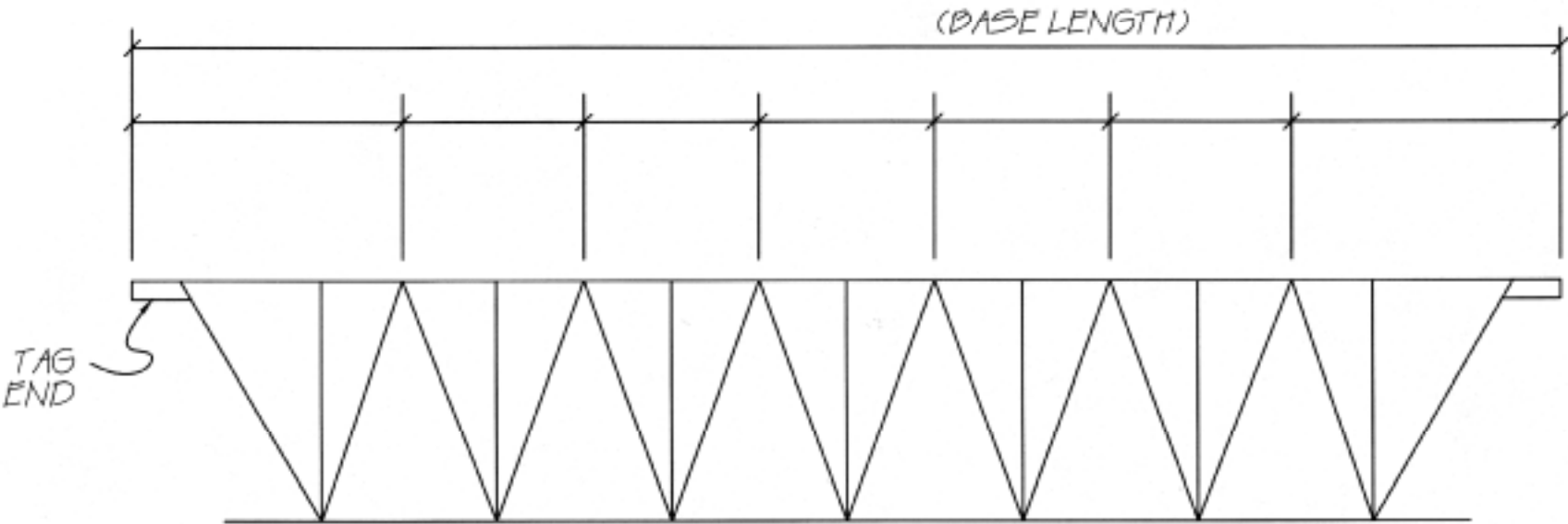
6N



GIRDER LOAD DIAGRAM

MK.-

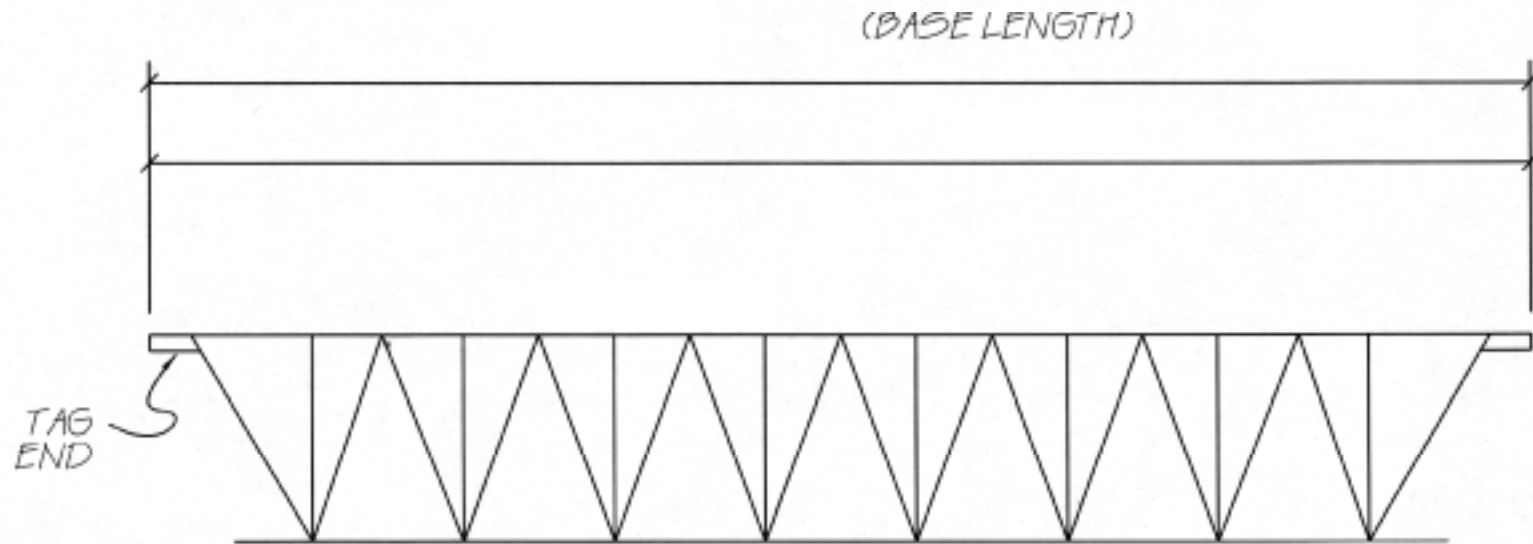
7N



GIRDER LOAD DIAGRAM

MK.-

8N

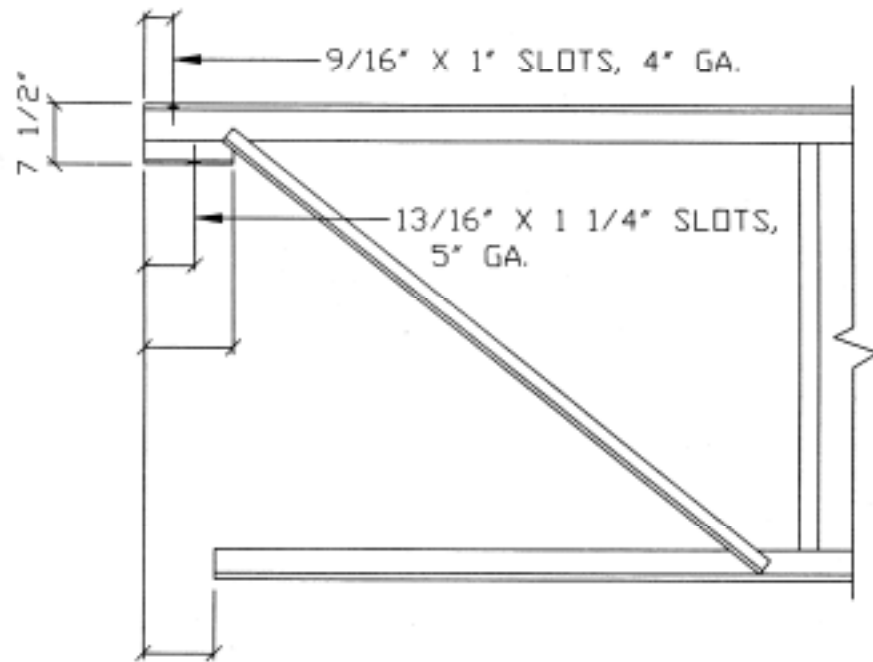


GIRDER LOAD DIAGRAM

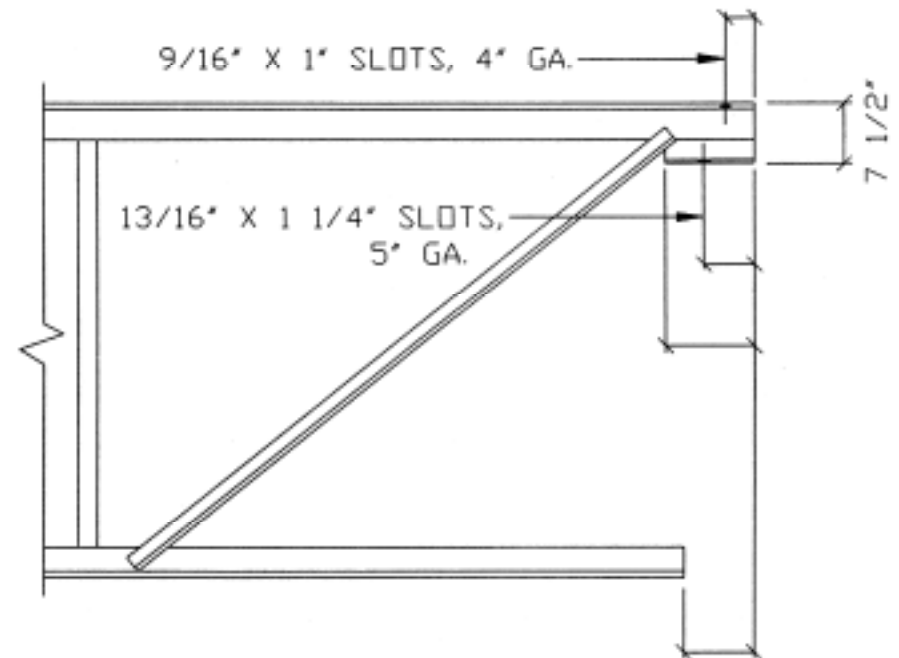
MK.-

JOIST GIRDER BEARING DETAILS

HOLES ARE STANDARD AS SHOWN UNLESS OTHERWISE NOTED
BEARING SEAT ANGLES - 2 - L 7" X 4" X 1/2"



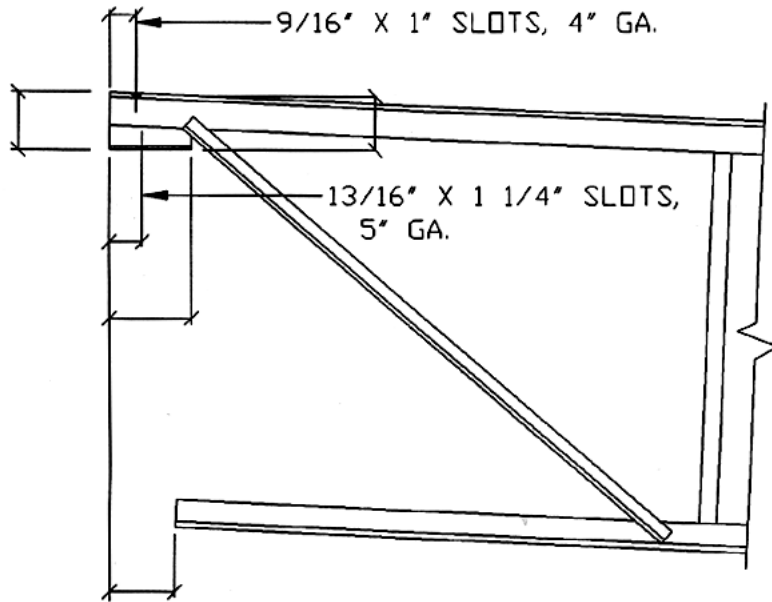
DETAIL —



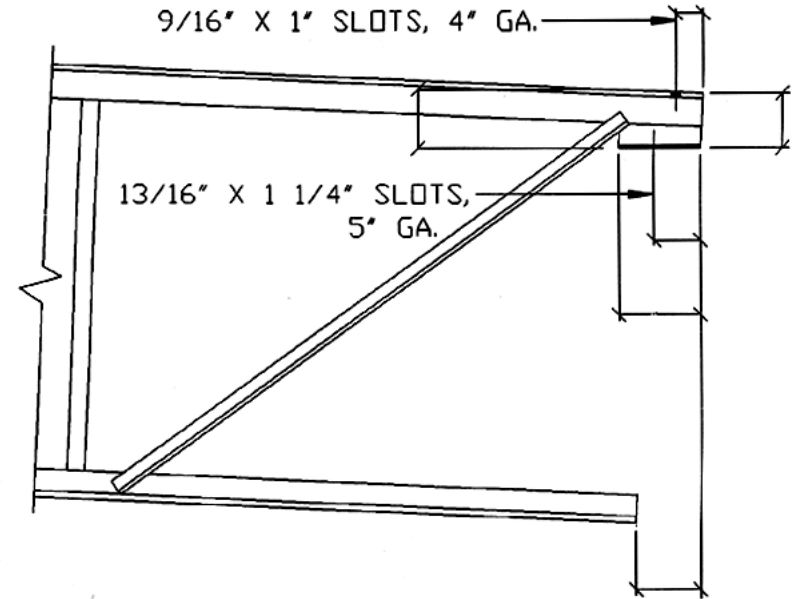
DETAIL —

JOIST GIRDER SLOPED END DETAILS

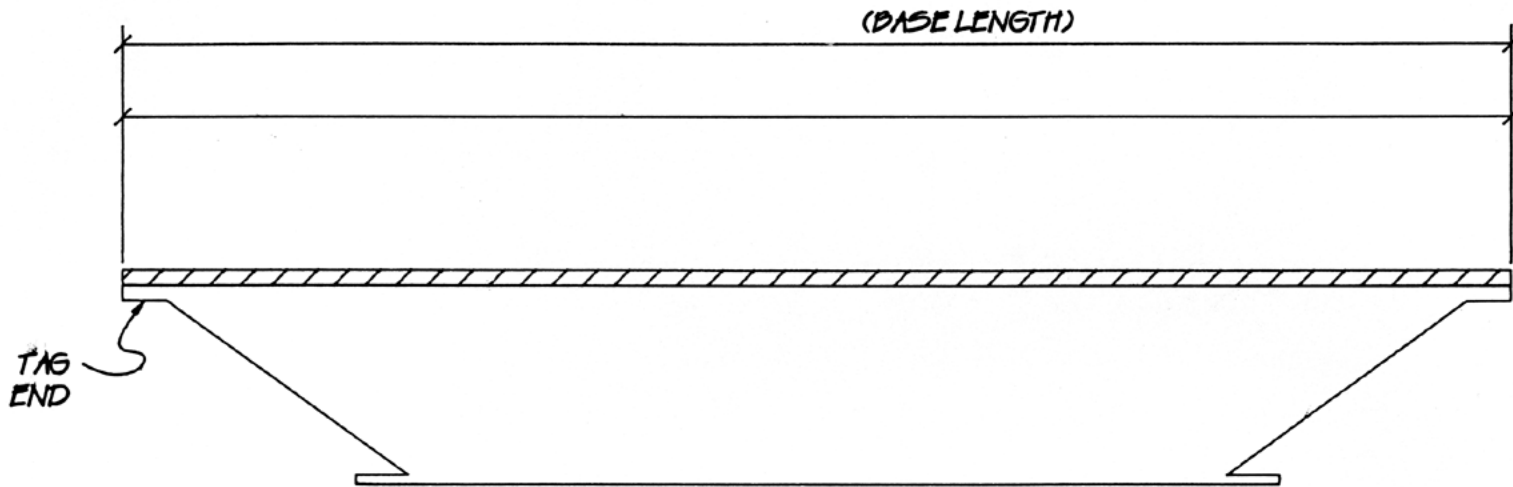
HOLES ARE STANDARD AS SHOWN UNLESS OTHERWISE NOTED
BEARING SEAT ANGLES - 2 L 7" X 4" X 1/2"



DETAIL —



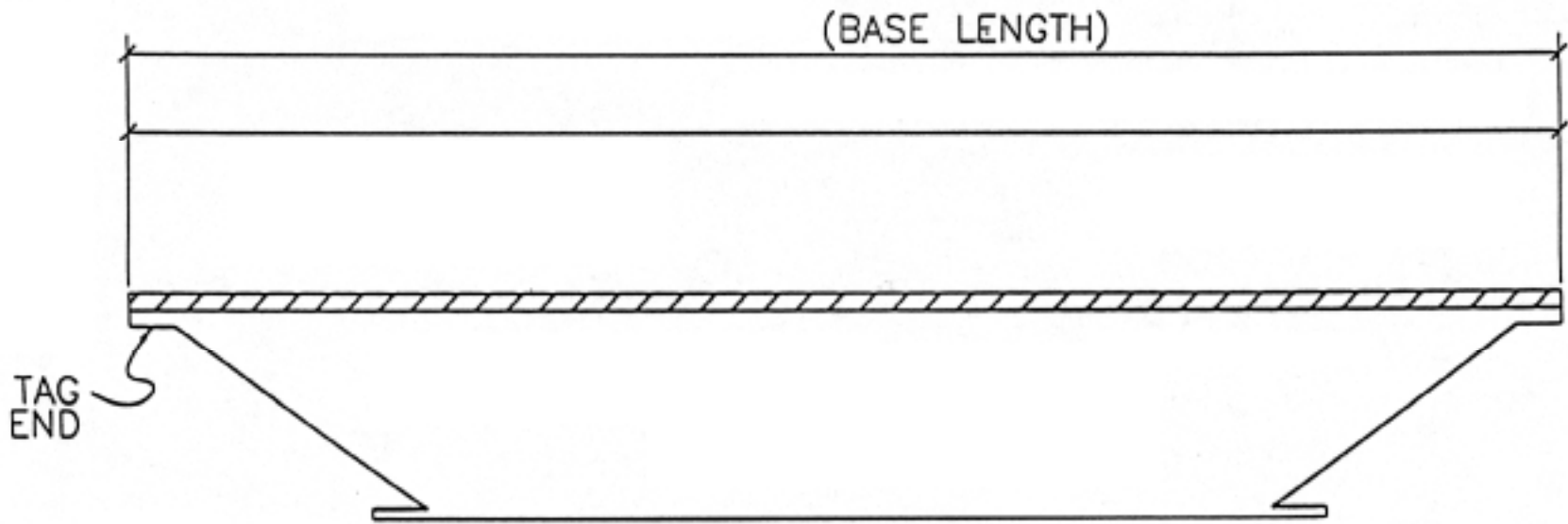
DETAIL —



JOIST LOAD DIAGRAM

MARK No.

JOB NUMBER _____
SHEET _____ OF _____



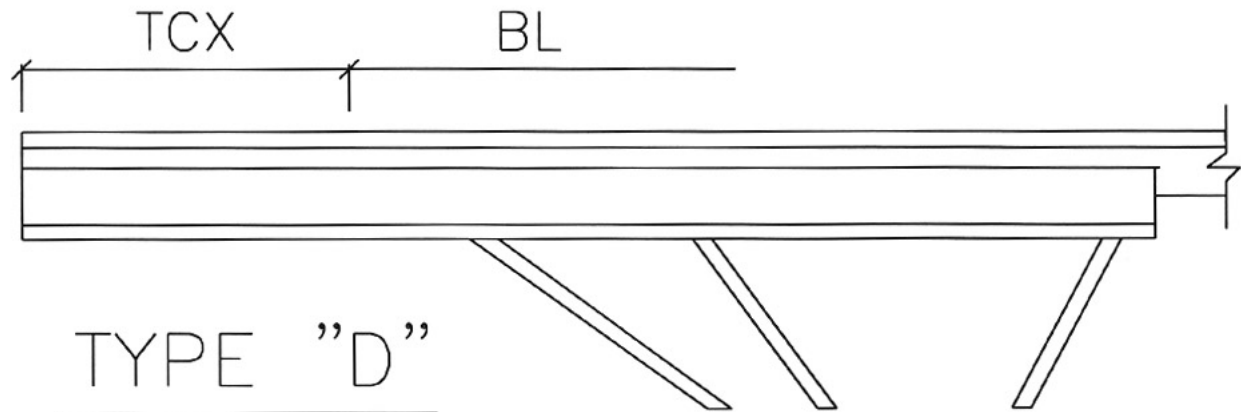
JOIST UPLIFT DIAGRAM

MARK No. _____

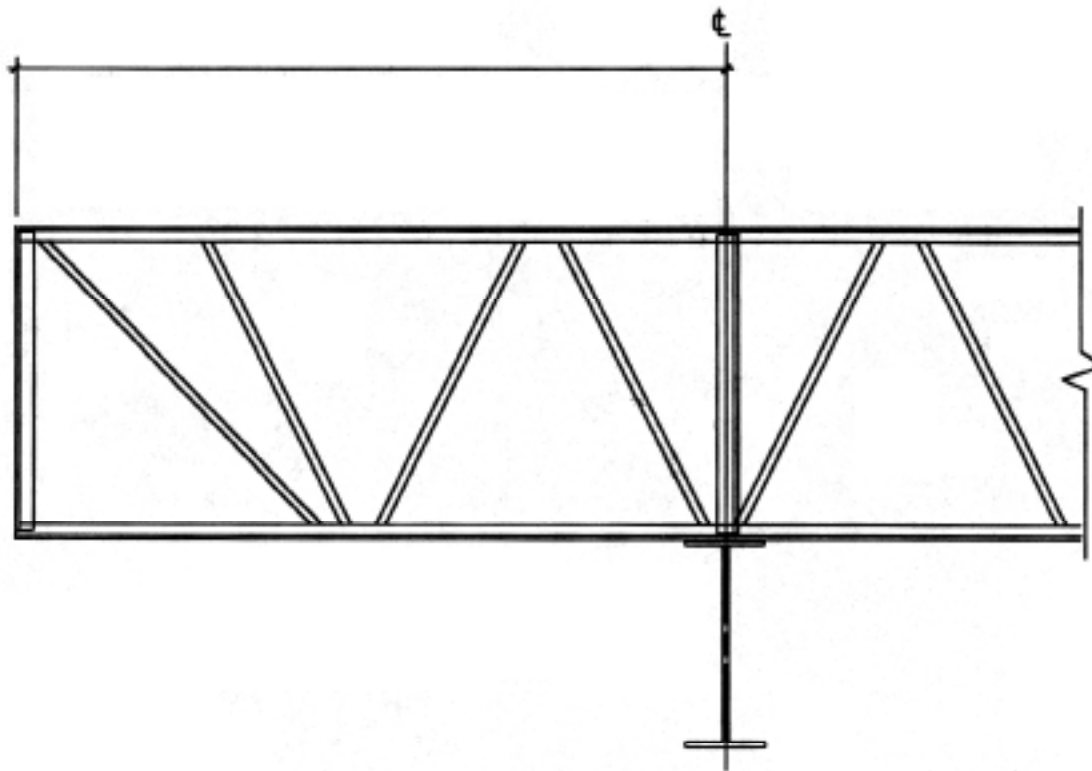


P.O. BOX 718
FORT PAYNE, ALABAMA 35967
PHONE 205/845-2330

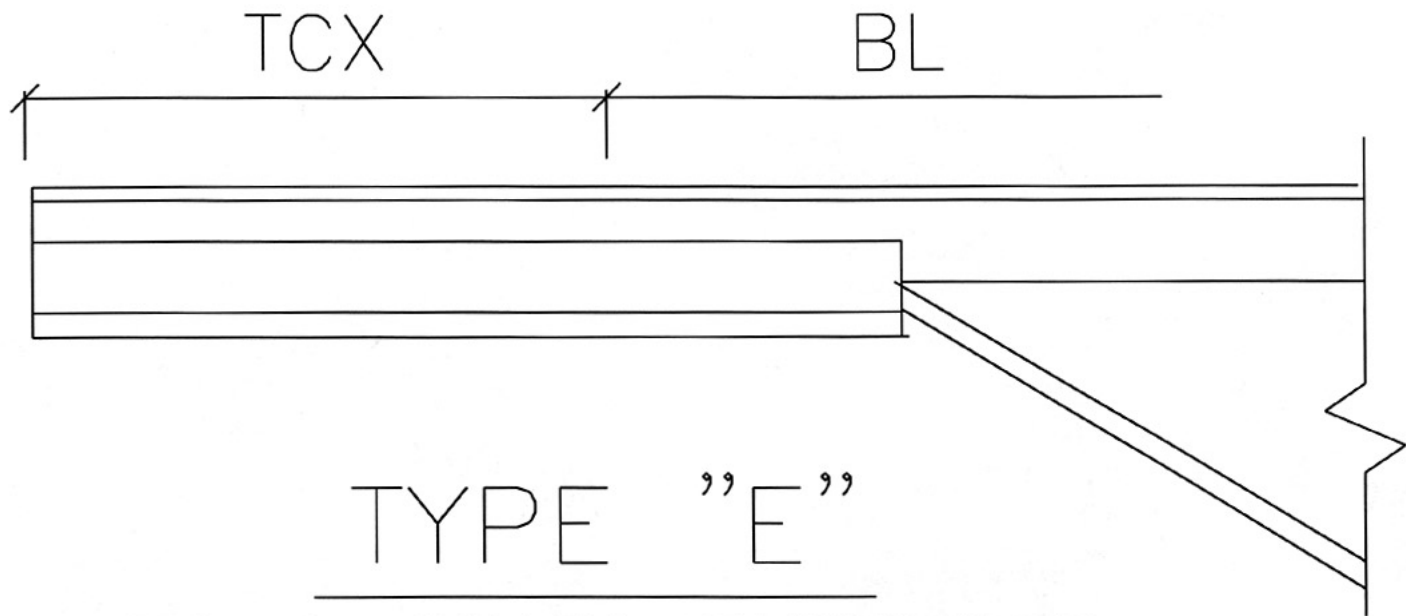
JOB NUMBER _____
SHEET _____ OF _____



TYPE "D"
REINFORCED TOP CHORD EXT.



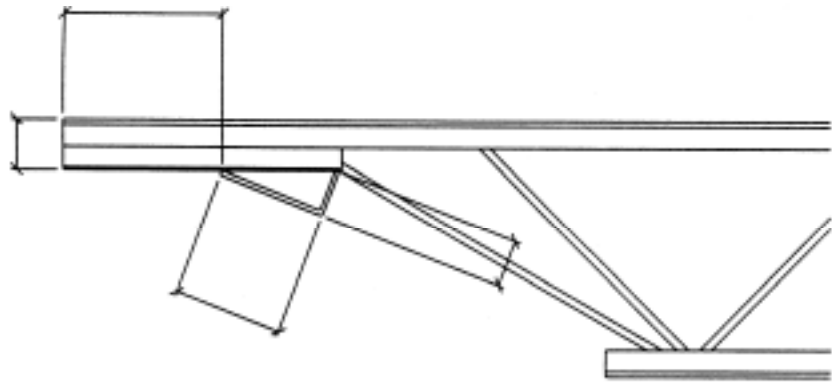
MARK NUMBER _____



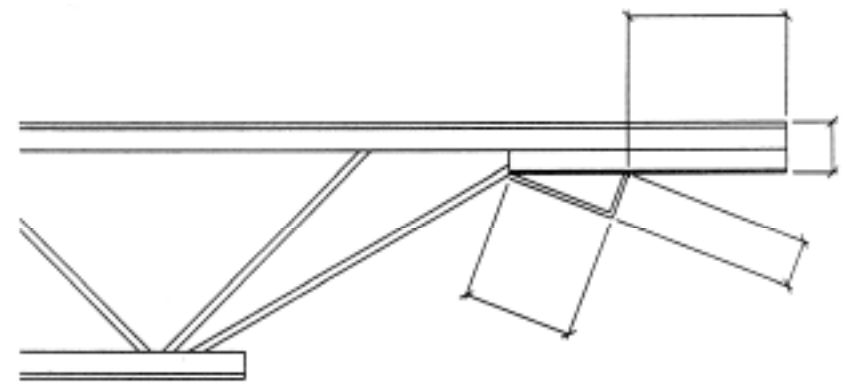
TYPE "E"

TC & SEATS EXTENDED

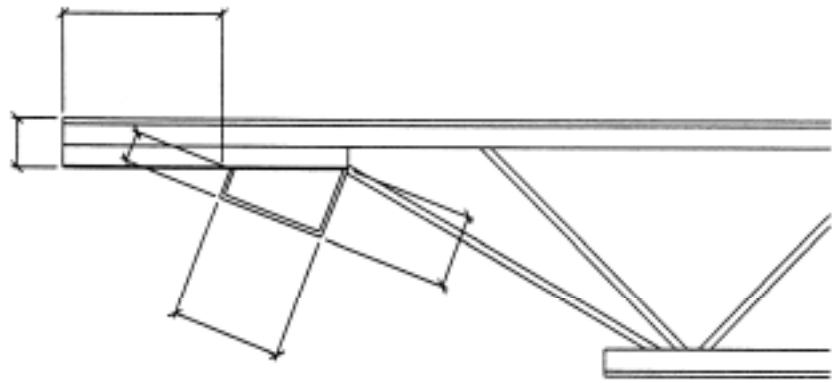
TYPE E EXTENSION SLOPE SEAT DETAILS



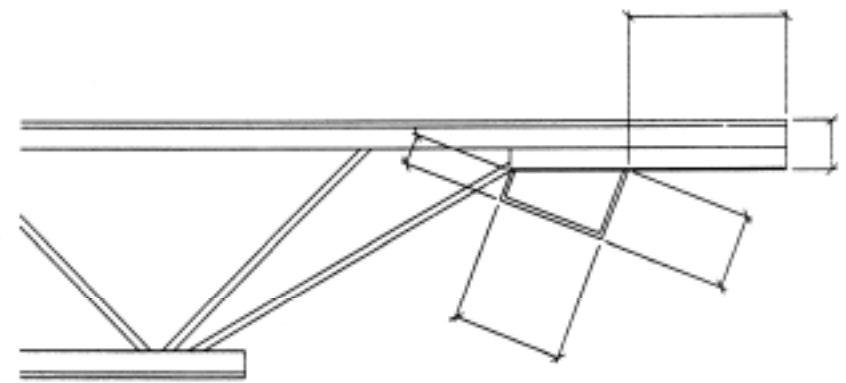
DETAIL - _____



DETAIL - _____



DETAIL - _____



DETAIL - _____

