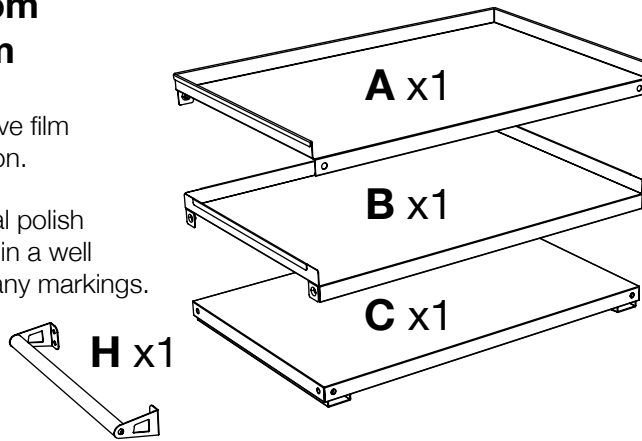


www.luxorfurn.com
www.hwilson.com

NOTICE: Remove protective film on shelves before installation.

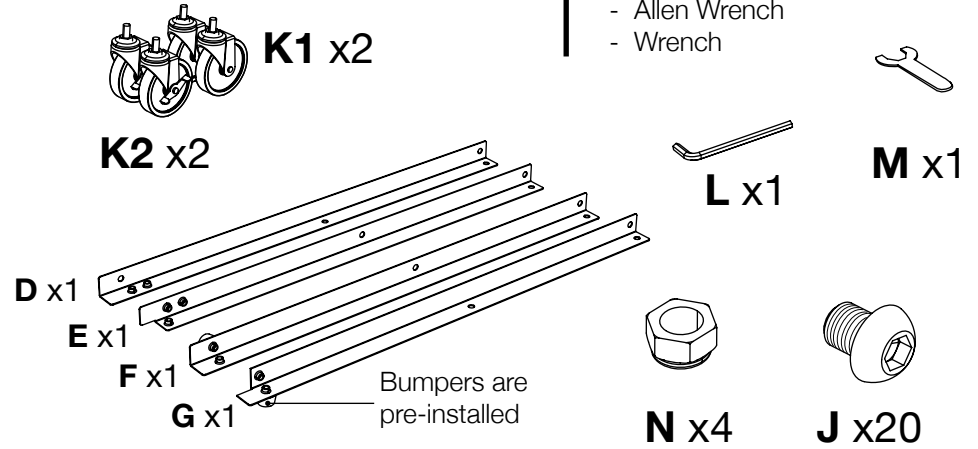
CLEANING TIP: Use metal polish and a rag (sold separately) in a well ventilated area to buff out any markings.

Parts List

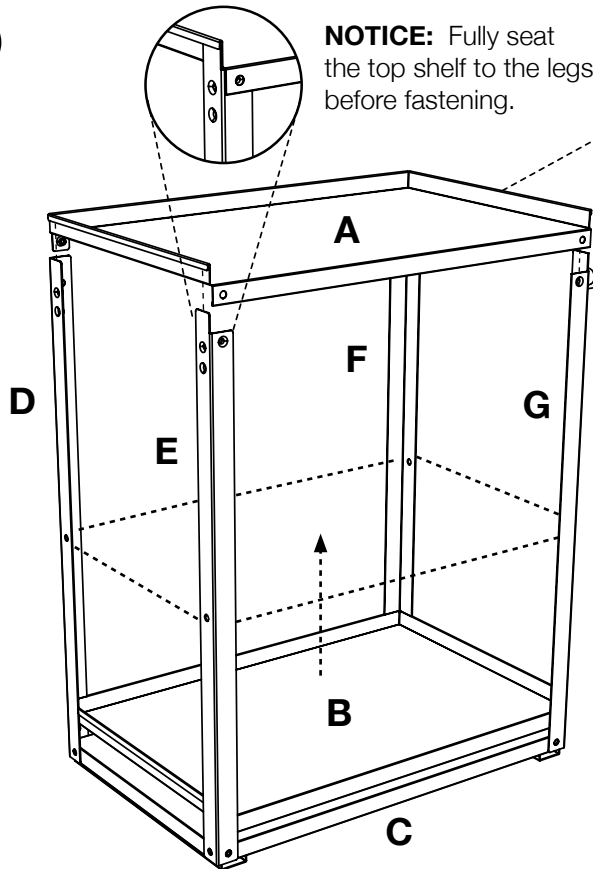


Tools Included

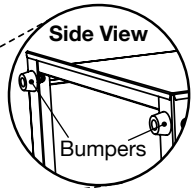
- Allen Wrench
- Wrench



1

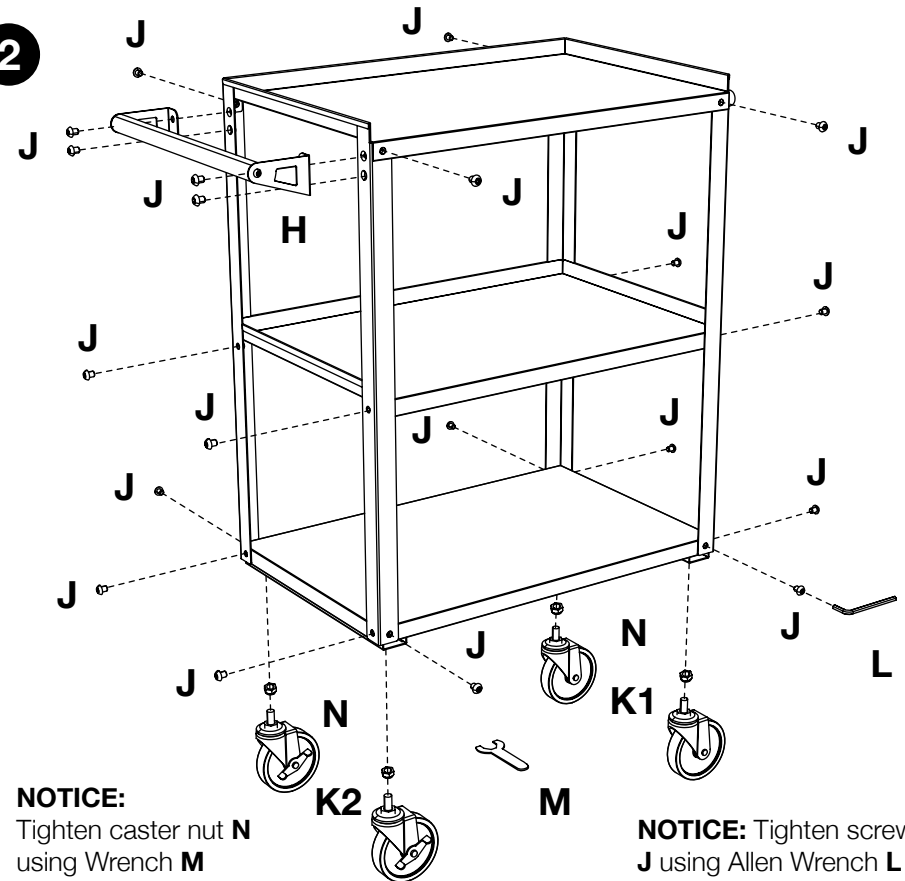


NOTICE: Fully seat the top shelf to the legs before fastening.



NOTICE: Legs with bumpers must be installed on the opposite side of the handle

2



NOTICE: Tighten caster nut N using Wrench M

NOTICE: Tighten screws J using Allen Wrench L