

Instruction Sheet

Models AV-26, AV-34 and AV-42



Customer Service Dept.
 2245 Delany Road
 Waukegan, IL 60087
 Ph: 847/244-1800 • 800/323-4656
 Fax: 847/244-1818 • 800/327-1698

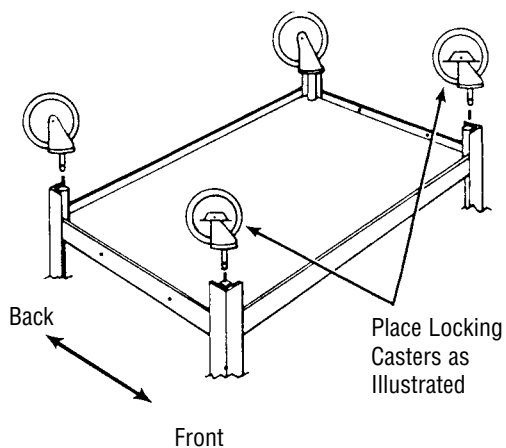


AV-42

AV-34

AV-26

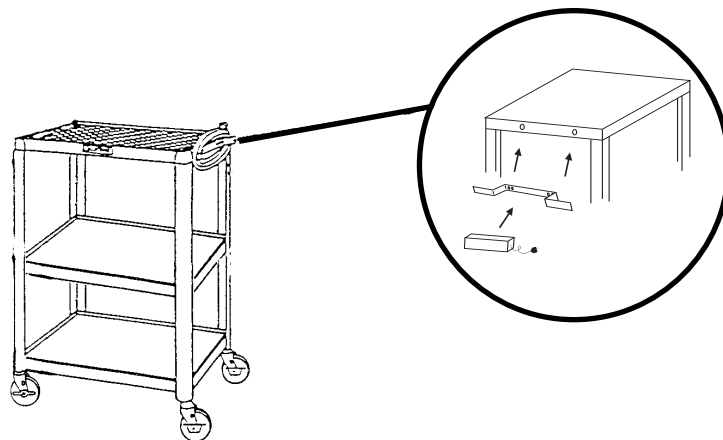
1



Turn bottom stand assembly upside down on a smooth surface. Push the four casters firmly into the caster socket holes in bottom of each leg as illustrated.

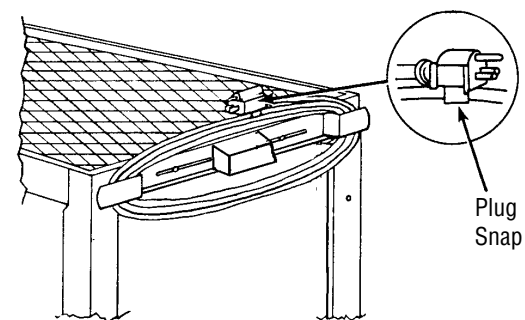
IMPORTANT: Casters must be fully seated. Tap firmly with a rubber mallet to properly seat casters. Turn the bottom stand assembly right side up.

2



Place metal cordwrap onto metal top shelf making sure that the holes on the cordwrap align with the holes on the shelf. Place the two screws through the holes of the electrical assembly. Place the electrical assembly with the two screws through the holes of the cordwrap and mounting bracket. Secure screws with wingnuts.

3



For safety and neat appearance, secure cord plug to cord with plug snap.